



HAL
open science

A finite element model for thermomechanical analysis in casting processes

D. Celentano, S. Oller, E. Oñate

► To cite this version:

D. Celentano, S. Oller, E. Oñate. A finite element model for thermomechanical analysis in casting processes. *Journal de Physique IV Proceedings*, 1993, 03 (C7), pp.C7-1171-C7-1180. 10.1051/jp4:19937182 . jpa-00251814

HAL Id: jpa-00251814

<https://hal.science/jpa-00251814>

Submitted on 4 Feb 2008

HAL is a multi-disciplinary open access archive for the deposit and dissemination of scientific research documents, whether they are published or not. The documents may come from teaching and research institutions in France or abroad, or from public or private research centers.

L'archive ouverte pluridisciplinaire **HAL**, est destinée au dépôt et à la diffusion de documents scientifiques de niveau recherche, publiés ou non, émanant des établissements d'enseignement et de recherche français ou étrangers, des laboratoires publics ou privés.

A finite element model for thermomechanical analysis in casting processes

D. CELENTANO, S. OLLER and E. OÑATE

International Center for Numerical Methods in Engineering, E.T.S. d'Enginyers de Camins, Canals i Ports, Universitat Politècnica de Catalunya, Gran Capità s/n, Mòdul C1, 08034 Barcelona, Spain

ABSTRACT

This paper summarizes the recent work of the authors in the numerical simulation of casting processes. In particular, a coupled thermomechanical model to simulate the solidification problem in casting has been developed [7,8,9]. The model, based on a general isotropic thermoelasto-plasticity theory and formulated in a macroscopical point of view, includes generalized phase-change effects and considers the different thermomechanical behaviour of the solidifying material during its evolution from liquid to solid. For this purpose, a phase-change variable, plastic evolution equations and a temperature-dependent material constitutive law have been defined. Some relevant aspects of this model are presented here.

Full thermomechanical coupling terms have been considered as well as variable thermal and mechanical boundary conditions: the first are due to air gap formation, while the second involve a contact formulation.

Particular details concerning the numerical implementation of this model are also mentioned. An enhanced staggered scheme, used to solve the highly non-linear fully coupled finite element equations, is proposed. Furthermore, a proper convergence criterion to stop the iteration process is adopted and, although the quadratic convergence of Newton-Raphson's method is not achieved, several numerical experiments demonstrate reasonable convergence rates [9].

Finally, an experimental cylindrical casting test problem, including phase-change phenomena, temperature-dependent constitutive properties and contact effects, is analyzed. Numerical results are compared with some laboratory measurements.

1. INTRODUCTION.

The full thermomechanical behaviour of bodies with thermal and mechanical temperature-dependent material properties that change their temperature during a certain process is of great practical importance in many engineering situations. In particular, a major consideration is the formation of cracks due to induced thermal stress field in casting processes. Although an analytical investigation into thermal stress development has been attempted by many researchers [3-6], it has been long recognized that the use of numerical methods of solution are necessary to consider realistic complex problems.

For this purpose, thermomechanical formulations with internal variables governed by rate equations (that can nowadays be considered well established [1,2]), theoretical extensions, implementations into computer programs and numerical analyses have been also carried out by many researchers (i.e. see [3-6]). Some of these models have been used to simulate solidification processes (see [4-6] and references therein). Nevertheless, the problem has many complex aspects that are usually difficult to deal with:

- the equilibrium and energy equations are coupled. Consequently, a robust and efficient numerical strategy is crucial for solving the highly non-linear finite element equations,
- a constitutive model which can represent the liquid, mushy and solid phases is necessary for the casting,
- different kind of materials are usually involved in solidification processes,

- thermal and mechanical variable boundary conditions must be taken into account. This fact implies the consideration of a pressure/gap-dependent convection-radiation model and a contact-friction formulation, respectively,
- latent heat effects introduces oscillations in the algorithms,
- an accurate residual stress evaluation has to be performed,
- microscopical effects may be considered.

A general thermoelasto-plastic model taking into account many of previous aspects has been presented in References [7,8]. In this paper, important details of this model and some hypothesis assumed in its formulation are discussed in Section 2. Furthermore, a thermomechanical contact model (that includes a gap-dependent convection-radiation model and a mechanical contact formulation), is also considered. A complete description of this last model can be found in Reference [9]. As a first approach to the problem, friction effects will be neglected in the present work.

Although the weak form and the finite element formulation of this model is derived in Reference [9] (where special attention is devoted to "non-classical" terms containing phase-change, thermomechanical coupling and contact effects), the numerical strategy used to solve the non-linear system of equations is presented in Section 3.

Finally, in Section 4, an experimental cylindrical casting test problem is analyzed and numerical results are contrasted with some laboratory measurements.

2. THERMOELASTO-PLASTIC MODEL.

a) Basic definitions.

Let some open bounded domains $\Omega_i \subset \mathbb{R}^{n_{dim}}$ ($1 \leq n_{dim} \leq 3$ and $i = 1, \dots, n_{body}$) be the reference (initial) configurations of some n_{body} continuum thermoelasto-plastic bodies B_i (that may thermomechanically interact between themselves) with material coordinates labeled by $\mathbf{x} \in \Omega_i$ (all of them measured with respect to the same reference coordinate system), $\Gamma_i = \partial\Omega_i$ their smooth boundaries respectively, and $\Upsilon \subset \mathbb{R}^+$ be the time interval of analysis ($t \in \Upsilon$). In the context of rate-independent plasticity theory, considering that $\alpha_k : \Omega_i \times \Upsilon \rightarrow \mathbb{R}^{n_{int}}$ is the n_{int} -dimensional ($k = 1, \dots, n_{int}$; $n_{int} \geq 1$) vector field of phenomenological internal state variables (can be scalars or tensors) and $\mathbf{q}_k : \Omega_i \times \Upsilon \rightarrow \mathbb{R}^{n_{int}}$ are the conjugate variables of α_k , the thermoplastic behaviour of the solid is governed by a state function $F(\mathbf{q}_k) : \mathbb{R}^{n_{int}} \rightarrow \mathbb{R}$, called the yield function (assumed strictly convex and, for simplicity, defined in terms of a unique smooth function) such that no plastic evolutions occurs when $F < 0$ [1]. Therefore, the thermoelastic admissible domain (also assumed convex) \mathbb{IE}^{te} is defined as [1]:

$$\mathbb{IE}^{te} = \left\{ \mathbf{q}_k \in \mathbb{R}^{n_{int}} \mid F(\mathbf{q}_k) < 0 \right\}, \quad (2.1.a)$$

and the thermoplastic one is:

$$\mathbb{IE}^{tp} = \left\{ \mathbf{q}_k \in \mathbb{R}^{n_{int}} \mid F(\mathbf{q}_k) = 0 \right\} = \partial\mathbb{IE}^{te}. \quad (2.1.b)$$

Further, the assumption of the principle of maximum plastic dissipation leads to an associate constitutive model characterized by the following plastic evolution equations [1]:

$$\dot{\alpha}_k = \frac{\partial F}{\partial \mathbf{q}_k} \dot{\lambda} \quad \text{in } \Omega_i \times \Upsilon, \quad (2.2)$$

together with the load-unload Kuhn-Tucker conditions and the Prager's consistency condition [1]. In equation (2.2), $\dot{\lambda}$ is the plastic consistency parameter [1].

In particular, one possible option for equation (2.2) is to choose $(\alpha_1 = \epsilon^p, \alpha_2 = C^p, \alpha_3 = \eta^p)$, where $\epsilon^p : \Omega_i \times \Upsilon \rightarrow \mathbb{R}^{n_{dim}} \times \mathbb{R}^{n_{dim}}$ is the plastic strain second-rank tensor, $C^p : \Omega_i \times \Upsilon \rightarrow \mathbb{R}$ is the plastic hardening function and $\eta^p : \Omega_i \times \Upsilon \rightarrow \mathbb{R}$ is the plastic entropy, with evolution equations [3]:

$$\dot{\epsilon}^p = \frac{\partial F}{\partial \sigma} \dot{\lambda} \quad \text{in } \Omega_i \times \Upsilon, \quad (2.3)$$

$$\dot{C}^p = \frac{\partial F}{\partial q_{C^p}} \dot{\lambda} \quad \text{in } \Omega_i \times \Upsilon, \quad (2.4)$$

$$\dot{\eta}^p = \frac{\partial F}{\partial T} \dot{\lambda} \quad \text{in } \Omega_i \times \Upsilon, \quad (2.5)$$

where σ (Cauchy stress tensor), q_{C^p} and T (temperature) are the conjugate variables of ϵ^p , C^p and η^p , respectively. The yield function is written in this case as $F(\sigma, q_{C^p}, T) : (\mathbb{R}^{n_{dim}} \times \mathbb{R}^{n_{dim}}) \times \mathbb{R} \times \mathbb{R}^+ \rightarrow \mathbb{R}$, with $\mathbb{I}E^{te}$ and $\mathbb{I}E^{tp}$ defined as in equations (2.1).

Nevertheless, a more simpler model takes place if the evolution equation for C^p is assumed to be defined in terms of $\dot{\epsilon}^p$ as [7,8]:

$$\dot{C}^p = H_{C^p} \dot{\lambda} \quad \text{in } \Omega_i \times \Upsilon, \quad (2.6)$$

where $H_{C^p}(T) = h_{C^p}(T) \sigma : R$ is the plastic hardening coefficient, $h_{C^p}(T)$ is the plastic hardening modulus and $R = \frac{\partial F}{\partial \sigma}$ is the flow potential. Consequently, F is redefined once more as $F(\sigma, C^p, T) : (\mathbb{R}^{n_{dim}} \times \mathbb{R}^{n_{dim}}) \times \mathbb{R} \times \mathbb{R}^+ \rightarrow \mathbb{R}$, with:

$$\mathbb{I}E^{te} = \left\{ (\sigma, C^p, T) \in (\mathbb{R}^{n_{dim}} \times \mathbb{R}^{n_{dim}}) \times \mathbb{R} \times \mathbb{R}^+ \mid F(\sigma, C^p, T) < 0 \right\}, \quad (2.7.a)$$

$$\mathbb{I}E^{tp} = \left\{ (\sigma, C^p, T) \in (\mathbb{R}^{n_{dim}} \times \mathbb{R}^{n_{dim}}) \times \mathbb{R} \times \mathbb{R}^+ \mid F(\sigma, C^p, T) = 0 \right\} = \partial \mathbb{I}E^{te}. \quad (2.7.b)$$

b) Specific free energy function.

Considering that ϵ , ϵ^p , C^p , η^p and T are assumed to be the thermodynamic state variables which determine the specific free energy function $\psi(\epsilon, \epsilon^p, C^p, \eta^p, T) \in \mathbb{R}$ [7,8] and restricting the analysis to the case of thermoelasto-plastic isotropic response, the function ψ is formulated as:

$$\psi = \hat{\psi}_{te}(\epsilon - \epsilon^p, T) + \hat{\psi}_p(C^p, \eta^p, T) + \hat{\psi}_{pc}(T) \quad \text{in } \Omega_i \times \Upsilon, \quad (2.8)$$

where ψ_{te} , ψ_{tp} and ψ_{pc} are the thermoelastic, thermoplastic and phase-change parts of ψ , respectively. It should be noted that equation (2.8) is a decoupled form of defining the specific free energy ψ . The thermoelastic part ψ_{te} is written as:

$$\begin{aligned} \psi_{te} = \hat{\psi}_{te}(\epsilon - \epsilon^p, T) = & \frac{1}{2\rho_0} (\epsilon - \epsilon^p) : \mathbf{C}^s : (\epsilon - \epsilon^p) - \frac{1}{\rho_0} \beta^s : (\epsilon - \epsilon^p)(T - T_0) + \\ & + \psi_0 - \eta_0 (T - T_0) + \frac{1}{\rho_0} \sigma_0 : (\epsilon - \epsilon^p) + c^s (T - T_0) - c^s T \ln \frac{T}{T_0} \quad \text{in } \Omega_i \times \Upsilon, \end{aligned} \quad (2.9)$$

the thermoplastic part is:

$$\psi_{tp} = \hat{\psi}_{tp}(C^p, \eta^p, T) = \hat{\psi}_p(C^p) - T \eta^p \quad \text{in } \Omega_i \times \Upsilon, \quad (2.10)$$

and the phase-change part is:

$$\psi_{pc} = \hat{\psi}_{pc}(T) = - \int_{T_0}^T A_{pc}(\theta) d\theta \quad \text{in } \Omega_i \times \Upsilon. \quad (2.11)$$

The subscript o denotes the initial state of the different variables and the superscript s indicates secant thermomechanical properties. ρ is the density, η is the entropy, c is the specific heat capacity, \mathbf{C} is the elastic tangent constitutive fourth-rank (isothermal) tensor and β is the tangent conjugate of thermal dilatation second-rank tensor. Further, ψ_p is the purely plastic part of ψ (assumed known) and $A_{pc}(T) = \int_{T_o}^T \frac{L}{\theta} \frac{\partial f_{pc}(\theta)}{\partial \theta} d\theta$ (θ is a dummy variable).

With the present definition of ψ the secant and tangent constitutive laws, the entropy function, the specific heat capacity and the thermoplastic coupling term can be derived. Details of such derivations can be found in Reference [9].

c) Constitutive tensor.

During solidification, the material in liquid state becomes solid, which means that a qualitative change in its thermomechanical properties is produced. Therefore, it is necessary to take this fact into account in the constitutive tensor written as,

$$\mathbf{C} = \mathbf{C}_{vol} + \rho_T(T) \mathbf{C}_{dev}, \quad (2.12)$$

where \mathbf{C}_{vol} and \mathbf{C}_{dev} are the volumetric and deviatoric parts of \mathbf{C} respectively, and $\rho_T \in [0, 1]$ is the "phase-change" variable.

With this definition of \mathbf{C} , both the classic constitutive law of a liquid in rest ($\sigma' = 0$, i.e. σ results the hydrostatic stress tensor), and that corresponding to a solid can be represented.

d) Yield function.

The Von Mises temperature-dependent yield function has been adopted,

$$F(\sigma, C^p, T) = \sqrt{3J_2} - C, \quad (2.13)$$

where $J_2 = \frac{1}{2} \sigma' : \sigma'$ is the second invariant of the deviatoric stress tensor σ' and $C : \Omega_i \times \Upsilon \rightarrow \mathbb{R}$ is the total hardening function defined by:

$$C(C^p, T) = C^{th}(T) + C^p, \quad (2.14)$$

where $C^{th}(T) : \Omega_i \times \Upsilon \rightarrow \mathbb{R}^+$ is the thermal hardening function (also assumed to be smooth function of T) related to the cohesion of the material (even in the liquid phase).

It should be noted that $R = \frac{\sqrt{3}}{2\sqrt{J_2}} \sigma'$ is indeterminate when $\sigma' = 0$. However, as $C^{th} > 0$, it can be observed that $F < 0$ for this particular situation. Therefore, a purely elastic behaviour of the material ($\dot{\lambda} = 0$) is considered for this case.

h) Specific heat capacity.

In phase-change problems, the following general definition is adopted for c [9]:

$$c = -T \frac{\partial^2 \psi}{\partial T^2} - L \frac{\partial f_{pc}(T)}{\partial T} \quad \text{in } \Omega_i \times \Upsilon, \quad (2.15)$$

where $\omega : \Omega_i \times \Upsilon \rightarrow \mathbb{R}$ is the specific internal energy, L is the latent heat released in a freezing problem (or absorbed in a melting one) and f_{pc} is the "phase-change" function. In an isothermal phase-change problem $f_{pc} = H(T - T_m)$, with T_m being the melting temperature and H the Heaviside function. When the phase-change occurs in a range of temperatures $(T_i - T_s)$, where T_s and T_i are the solidus and liquidus temperature respectively, $f_{pc} = f$ such that,

$$f(T) = \begin{cases} 0 & ; \forall T < T_s \\ 0 \leq g(T) \leq 1 & ; T_s \leq \forall T \leq T_l \\ 1 & ; \forall T > T_l. \end{cases} \quad (2.16)$$

The function $g(T)$ may be obtained using a microstructure model. However, from a macroscopical point of view assumed in this paper, the simplest choice for $g(T)$ is the linear one [9].

It should be noted that the classical definition of c [1] is recovered in those regions where the temperature derivative of f_{pc} is zero. Equation (2.15) describes the generalized phase-change problem. A further generalization takes place when two or more phase-changes ($n_{pc} \geq 2$) can occur. For this case, the term $L \frac{\partial f_{pc}}{\partial T}$ must be replaced by $\sum_{j=1}^{n_{pc}} L_j \frac{\partial f_{pcj}}{\partial T}$ (L_j and f_{pcj} are the latent heat and phase-change function associated with the j -th phase-change, respectively) in equation (2.15).

As mentioned above, considering the present definition of ψ given in Section 2.b, the expression of c can be derived [9].

3. SOLUTION STRATEGY: STAGGERED SCHEME.

Details of the weak form and finite element formulation of this model can be found in Reference [9]. The numerical solution at time $t + \Delta t$ of the resulting finite element coupled thermo-mechanical equations (the solution is assumed known at time t) has been attempted via a staggered scheme of type:

$$\begin{pmatrix} {}^{t+\Delta t} J_{UU}^{j_U-1, j_G} & \mathbf{0} \\ \mathbf{0} & {}^{t+\Delta t} J_{TT}^{j_T-1, j_G} \end{pmatrix} \begin{pmatrix} \Delta U^{j_U, j_G} \\ \Delta T^{j_T, j_G} \end{pmatrix} = \begin{pmatrix} {}^{t+\Delta t} R_U^{j_U-1, j_G} \\ {}^{t+\Delta t} R_T^{j_T-1, j_G} \end{pmatrix} \quad (3.1)$$

$$\left. \begin{aligned} {}^{t+\Delta t} U^{j_U, j_G} &= {}^{t+\Delta t} U^{j_U-1, j_G} + \Delta U^{j_U, j_G} & j_U &= 1, \dots, n_{iter_U} \\ {}^{t+\Delta t} U^{0, j_G+1} &= {}^{t+\Delta t} U^{j_U, j_G} \\ {}^{t+\Delta t} T^{j_T, j_G} &= {}^{t+\Delta t} T^{j_T-1, j_G} + \Delta T^{j_T, j_G} & j_T &= 1, \dots, n_{iter_T} \\ {}^{t+\Delta t} T^{0, j_G+1} &= {}^{t+\Delta t} T^{j_T, j_G} \end{aligned} \right\} j_G = 0, \dots, n_{iter_G} \quad (3.2.a)$$

$$\left. \begin{aligned} {}^{t+\Delta t} U^{0,0} &= {}^t U \\ {}^{t+\Delta t} T^{0,0} &= {}^t T \end{aligned} \right\} \quad (3.2.b)$$

where j_U , j_T and j_G are the iteration indexes of the mechanical, thermal and thermomechanical problems, respectively. Further, the matrix notation is the following: J_{UU} : mechanical jacobian matrix, J_{TT} : thermal jacobian matrix, U : nodal displacement vector, T : nodal temperature vector, R_U : mechanical residual vector (equilibrium equation), R_T : thermal residual vector (energy equation) and Δ indicates incremental values of the different variables.

The main features of this staggered scheme are:

- ΔU and ΔT are computed separately,
- a proper interchange of variables between both subsystems is performed in order to calculate the coupling terms and the thermomechanical variable boundary conditions: $I_{TU} = [T]$ and $I_{UT} = [\epsilon, \epsilon^p, g_n]$ (g_n being the normal gap existing between two bodies [9]) are the thermal-mechanical and mechanical-thermal interchanges, respectively.

In particular, when I_{TU} only exists, the problem is said to be thermally unidirectional coupled (TUC). For this case, it should be noted that $n_{iter_G} = 1$ and I_{TU} contains converged temperature values.

When both interchanges I_{TU} and I_{UT} exist, the problem is bidirectional coupled (BC). Within this class of solution strategy, different schemes can be proposed [9]. Specifically, the so called Iterative-Converged-Consecutive strategy (It-Co-Ce) has been tested and used in different problems [9]. It basically consists in performing the interchanges I_{TU} and I_{UT} (both containing "locally" converged values) iteratively at the same time step in a consecutive form: the thermal problem (energy equation) is solved first followed by the mechanical one (equilibrium equation). This is the usual form used in the numerical simulation of solidification problems [4,5,9]. It should be noted that the "global" thermomechanical iteration index j_G varies when both interchanges are performed.

As mentioned above, severe non-linearities exist in this coupled problem. Therefore, a proper convergence criterion for stopping the iteration process of each problem has to be used [9]. The coupled thermomechanical problem is converged (global convergence) when local convergence is achieved for both (mechanical and thermal) problems [9].

The quadratic convergence of Newton-Raphson's method is obviously lost. Nevertheless, it should be noted that the right hand side contains an "exact" (within the numerical frame) evaluation of the thermal and mechanical residuals. Finally, numerical results show good convergence rates and reasonable number of iterations [9].

4. NUMERICAL EXAMPLE: SOLIDIFICATION TEST.

The cylindrical casting of Nishida et al. [6] has been analyzed. The experiment consisted of casting commercial purity aluminium into an instrumented steel mould. The casting and the mould are assumed to be initially at 670 °C and 200 °C, respectively. Thermocouples as well as two quartz rods were placed in the mould wall and in the mould cavity in order to measure temperature and radial displacement evolutions, respectively (see Figure 1). Geometrical data and thermocouple locations can be found in Figure 2.

A horizontal slice at the midheight of the mould has been chosen for numerical analysis. Four-noded axisymmetric elements were used in the computations. The temperature-dependent thermal and mechanical properties of aluminium can be found in Reference [5]. The steel is assumed to have constant thermal and mechanical properties [5]. The convection-radiation coefficient of the metal-mould interface is gap-dependent, while the contact properties between aluminium and steel can be also found in Reference [9]. It should be noted that, for simplicity, a frictionless condition has been considered.

As mentioned in Section 3, the system (3.1) has been solved using the BC-(It-Co-Ce) numerical strategy with a time step of 5 s. In addition to the features already commented (see Section 3), this fact implies that the energy equation has been solved considering the coupling thermomechanical terms and taking into account the changes in the thermal boundary conditions due to the radial displacements of the specimen.

The temperature evolutions at different points of the mesh are plotted in Figure 3 and 4. It is interesting to note the good agreement between the numerical results and the experimental ones.

In the solution of the mechanical problem, the bulk and shear moduli in the liquid has been computed using the elastic properties at the appropriate temperature. Considering that the shear modulus (computed using the tabulated material properties) in the surroundings of the melting point has a great value (it is evident that experimental data near the melting temperature is still lacking), the phase-change variable has been assumed to be:

$$\rho_T(T) = \begin{cases} 1 & ; \forall T < 600.0 \text{ } ^\circ\text{C} \\ 1 \geq g_T(T) \geq 0 & ; 600.0 \text{ } ^\circ\text{C} \leq \forall T \leq 660.0 \text{ } ^\circ\text{C} \\ 0 & ; \forall T > 660.0 \text{ } ^\circ\text{C} \end{cases} \quad (4.1)$$

where g_T is a smooth cubic function of T with zero slope for $T = 600.0\text{ }^\circ\text{C}$ and $T = 660.0\text{ }^\circ\text{C}$. Using this definition of ρ_T and the mentioned material properties, the shear modulus increases in a smooth form (over a temperature range of $60\text{ }^\circ\text{C}$) in the material evolution from liquid to solid.

Figure 5 shows the radial displacement evolution of the mould-metal interface. Similarly, Figure 6 plots the same evolution for a point situated in the mould 1 mm from the inner surface. The progressive change in contact conditions, causing the convection-radiation coefficient to decrease significantly, can clearly be noted.

CONCLUSIONS.

Some important aspects of a thermomechanical constitutive model to simulate the solidification problem in casting has been presented. The model takes into account the different states of the solidifying material by introducing a new phase change variable, some internal plastic variables and a temperature-dependent constitutive law. Besides, full thermomechanical coupling terms and variable mechanical and thermal boundary conditions have been considered.

The model has been implemented into a finite element code. An enhanced staggered scheme has been proposed and used in order to solve the highly non-linear fully coupled finite element equations. Finally, the numerical example analyzed shows the robustness of the approach.

ACKNOWLEDGEMENTS.

The support provided by BRITE/EURAM Project nº BE-4596 under contract nº BREU-0443 is gratefully acknowledged.

REFERENCES.

- [1]- Lubliner J. - *On the Thermodynamics Foundations of Non-linear Solid Mechanics* - Int. J. Non-linear Mechanics 7, 237-254 (1972).
- [2]- Bruhns O. and Služalec A. - *Thermal Effects in Thermoplastic Metal with Internal Variables* - Computers & Structures, Vol. 33, No. 6, pp. 1459-1464, 1989.
- [3]- Armero F. and Simo J. - *A New Unconditionally Stable Fractional Step Method for Non-Linear Coupled Thermomechanical Problems* - International Journal for Numerical Methods in Engineering, Vol. 35, 737-766 (1992).
- [4]- Zabaras N., Ruan Y. and Richmond O. - *Front Tracking Thermomechanical Model for Hypoelastic-Viscoplastic Behavior in a Solidifying Body* - Computer Methods in Applied Mechanics and Engineering 81 (1990), 333-364, North-Holland.
- [5]- Smelser R. and Richmond O. - *Constitutive Model Effects on Stresses and Deformations in a Solidifying Circular Cylinder* - Modeling of Casting and Welding Processes IV, 1988.
- [6]- Nishida Y., Droste W. and Engler S. - *The Air-Gap Formation Process at the Casting Mold Interface and the Heat Transfer Mechanism through the Gap* - Metallurgical Transactions B, 17B (1986) 833-844.
- [7]- Celentano D., Oller S. and Oñate E. - *A Constitutive Thermomechanical Model for Solidification of Metals* - Journées Numériques de Besançon: Les problèmes de changement de phase, pp. 19-30, Septembre 1991.
- [8]- Celentano D., Oller S. and Oñate E. - *A Plastic Constitutive Model to Simulate the Solidification in Casting Problems* - Proceedings of Complas III, pp. 1089-1102. R. Owen, E. Oñate and E. Hinton (Eds.). Pineridge Press/CIMNE, 1992.
- [9]- Celentano D. - *A Thermomechanical Model for Solidification Problems in Metals* - Ph.D. Thesis (in course), U.P.C., Barcelona, Spain, 1992.

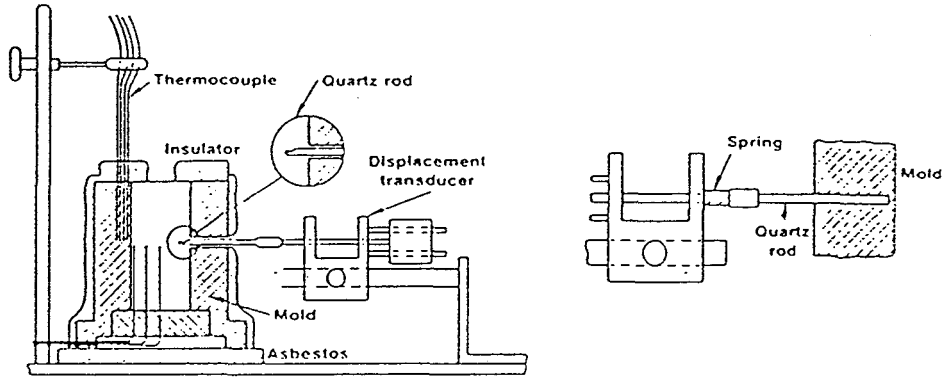


Figure 1. Solidification test: schematic of the experimental setup of Nishida et al. [6].

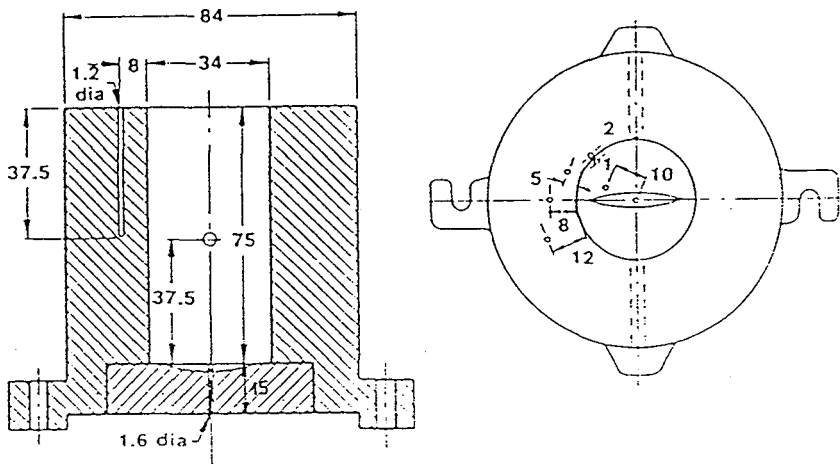


Figure 2. Solidification test: thermocouples locations in the mould and casting of the Nishida et al. [6] experiment.

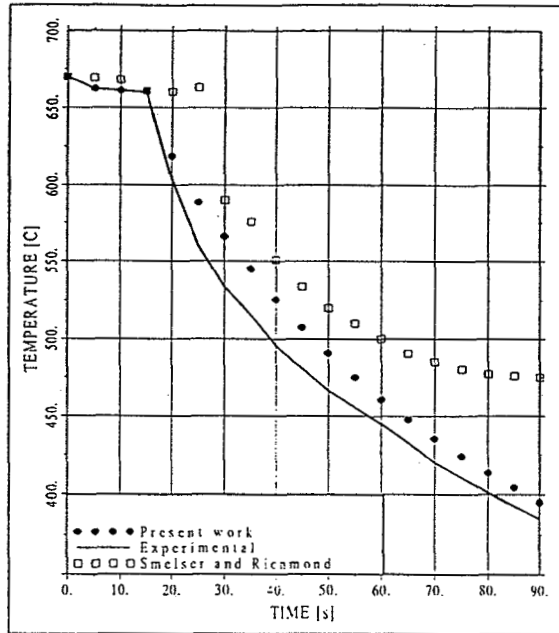


Figure 3. Solidification test: temperature evolution at the center of the casting.

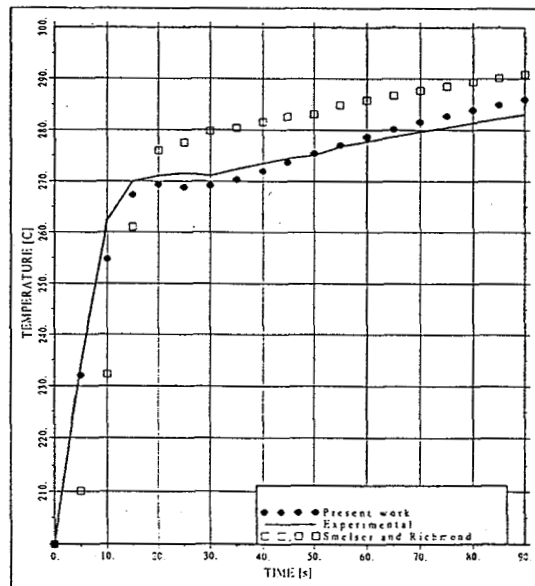


Figure 4. Solidification test: temperature evolution at a point situated 8 mm from the inner mould surface.

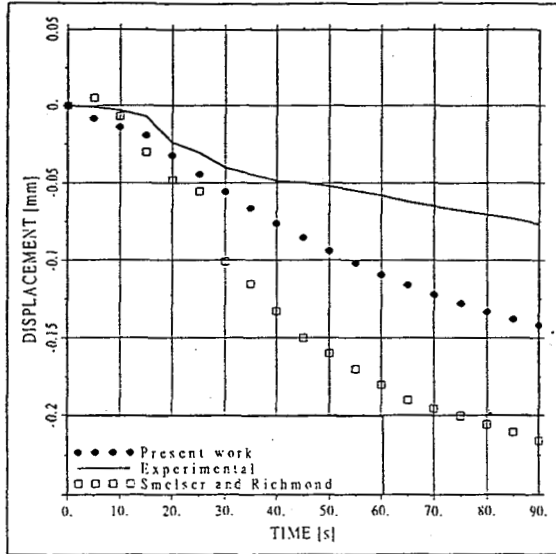


Figure 5. Solidification test: radial displacement evolution at the casting surface.

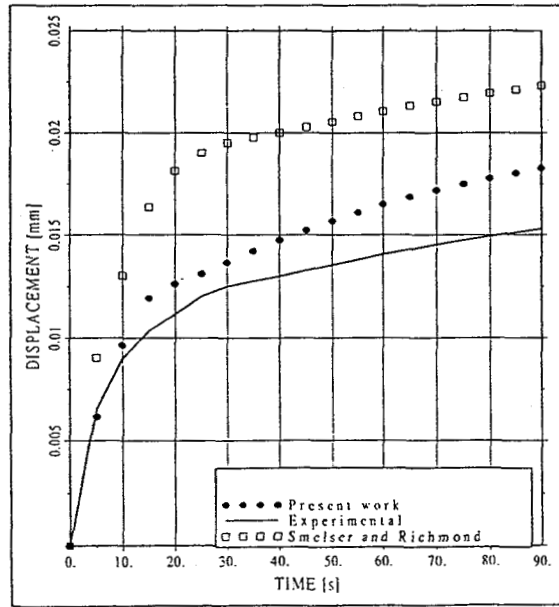


Figure 6. Solidification test: radial displacement evolution at a point situated 1 mm from the inner mould surface.