



HAL
open science

CENTRAL COLLISIONS OF RELATIVISTIC HEAVY IONS

Hans Gutbrod

► **To cite this version:**

Hans Gutbrod. CENTRAL COLLISIONS OF RELATIVISTIC HEAVY IONS. Journal de Physique Colloques, 1976, 37 (C5), pp.C5-209-C5-212. 10.1051/jphyscol:1976512 . jpa-00216592

HAL Id: jpa-00216592

<https://hal.science/jpa-00216592>

Submitted on 4 Feb 2008

HAL is a multi-disciplinary open access archive for the deposit and dissemination of scientific research documents, whether they are published or not. The documents may come from teaching and research institutions in France or abroad, or from public or private research centers.

L'archive ouverte pluridisciplinaire **HAL**, est destinée au dépôt et à la diffusion de documents scientifiques de niveau recherche, publiés ou non, émanant des établissements d'enseignement et de recherche français ou étrangers, des laboratoires publics ou privés.

CENTRAL COLLISIONS OF RELATIVISTIC HEAVY IONS[†]

Hans H. Gutbrod

Gesellschaft für Schwerionenforschung, Darmstadt, Germany
and Lawrence Berkeley Laboratory, Berkeley, California USA

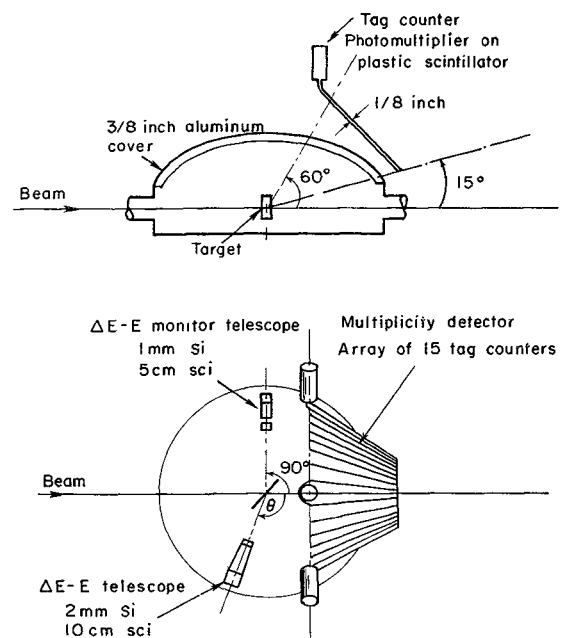
Relativistic heavy ion collisions as they are now studied at Berkeley with the Bevalac are somewhat pragmatically subdivided into peripheral and central collisions. In a peripheral collision target and projectile nuclei interact only in the tails of their density distributions. Therefore only a small amount of energy and momentum is transferred and the multiplicities—as one can see in streamer chamber pictures—are small. In a more central collision, however, large amounts of nuclear matter interact and we have events with a very high multiplicity.

We have started an experimental program in an LBL-Marburg-GSI collaboration^{1, 2} to measure the emitted fragments electronically as to their mass, charge, energy, angle of emission, and associated multiplicity.

In this report I will first present our data of double differential cross sections which have been measured for high energy p, d, t, ³He, and ⁴He particles emitted from uranium targets irradiated with ²⁰Ne ions at 250, 400, and 2100 MeV/nucleon and ⁴He ions at 400 MeV/nucleon. Then in the analysis, by using the shape and yield of the proton energy spectra, the shape and yield of the d, t, ³He, and ⁴He energy spectra can be deduced at all measured angles for all incident projectile energies assuming that they are formed by coalescence of cascade nucleons using a model analogous to that of Butler and Pearson, and Schwarzschild and Zupančič. Finally and most important, we find that the overall features of the proton inclusive spectra are fit without any adjustable parameter by a proposed nuclear fireball model. In this model the nucleons which are mutually swept out from the target and projectile form a hot quasi-equilibrated fireball which decays as an ideal gas.

Experimentally, we have measured the energy spectra from 30 to 120 MeV/nucleon at several laboratory angles for protons, deuterons, tritons, ³He, and ⁴He emitted from uranium bombarded with beams from the Bevalac. The hydrogen and helium isotopes were identified as to their charge and mass in a ΔE -E telescope consisting of a 2-mm thick silicon ΔE counter (300 mm²) and a 10-cm long plastic scintillator as an E detector. For measuring the associated multiplicity of these emitted fragments we installed 15 plastic scintillators (tag counters) connected to 2 in. diameter photomultipliers around our scattering chamber. A special thin Al cover was built to serve as an absorber for protons up to

45 MeV and pions up to 20 MeV so that the tag counters do not measure the target evaporation products. Furthermore, the tag counters did not subtend the angle from 0° to 15° in order to avoid any events due to break up of the projectile in a peripheral collision. A particle detected in the telescope opened for 30 nsec a gate in the 16-fold discriminator and coincidence latch of the 15 tag counters. Therefore a particle detected in the telescope was identified for A, Z, E, θ , and the relative multiplicity of the star it belonged to as well as for the information of which tag counters had fired. Thus a rough spatial distribution of the multiplicity events could be detected. Figure 1 shows the experimental layout.



XBL 7512-9933

Figure 1. Scattering chamber with telescopes and multiplicity detector.

The relative cross sections, which are accurate to within 20%, were obtained by normalizing to a monitor telescope fixed at 90° with respect to the beam. The absolute cross sections were obtained by normalizing to previously measured data.³ Double differential cross sections for the various emitted particles are presented in Fig. 2. Although many more angles have been measured, only some of the spectra are shown. The energy spectra

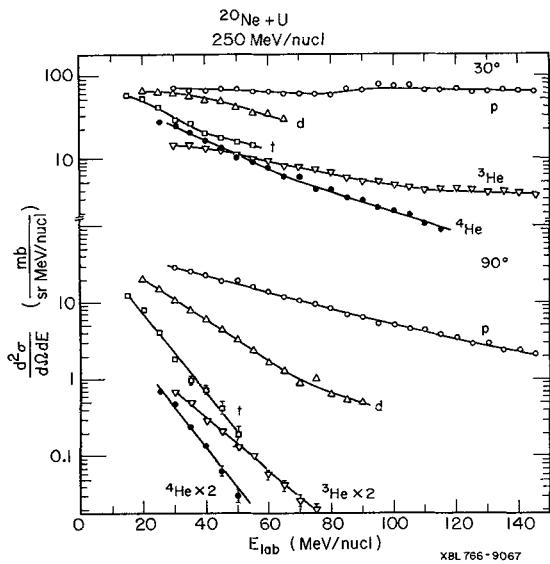


Figure 2. Double differential cross sections for p, d, t, ³He, and ⁴He emitted from ²⁰Ne + U at 250 MeV/nucleon.

of all products are smooth and show no peaks. The slopes of the energy spectra become steeper with increasing angle and also with increasing mass of the emitted particle.

The measured associated multiplicities are quite high. In Fig. 3 we see this multiplicity increase as we increase the projectile mass or as we increase the projectile energy. Remember that this multiplicity includes only the high energy part (fragments above ~45 MeV/amu and pions above 20 MeV) of the star event. In order to obtain the absolute multiplicity one has to know the full spatial distribution of the tag-particles and one has to correct for statistical effects in the measurements.

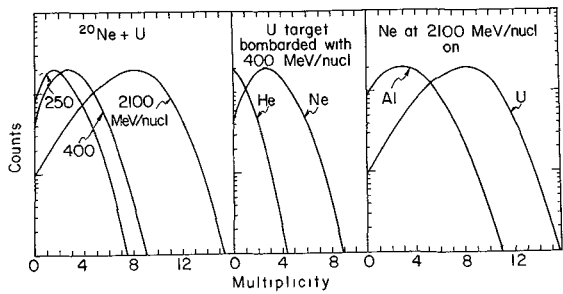


Figure 3. Multiplicity distribution in the 15 tag counters if a ³He has been detected in the telescope at 60° lab.

The analysis of these data was first focused on the question of whether the complex fragments were related to each other.

In high energy proton induced reactions the observation of deuterons was explained by Butler and Pearson⁴ as the coalescence of cascade nucleons. In this model, which was modified by Schwarzschild and Zupančič,⁵ the deuteron density in momentum space is predicted to be proportional to the proton density times the probability of finding a neutron within a small sphere of radius p₀ around the proton momentum. P. J. Johansen in our group has extended this formalism to more complex particles in the limit of low density in momentum space and high multiplicity.¹

We apply this formalism to our heavy ion data assuming that the protons and neutrons have the same momentum distribution and that their yield is equal to the neutron to proton ratio in the projectile plus target. Thus we allow only for one free parameter p₀ and use the measured proton spectra as representatives for the nucleon distributions.

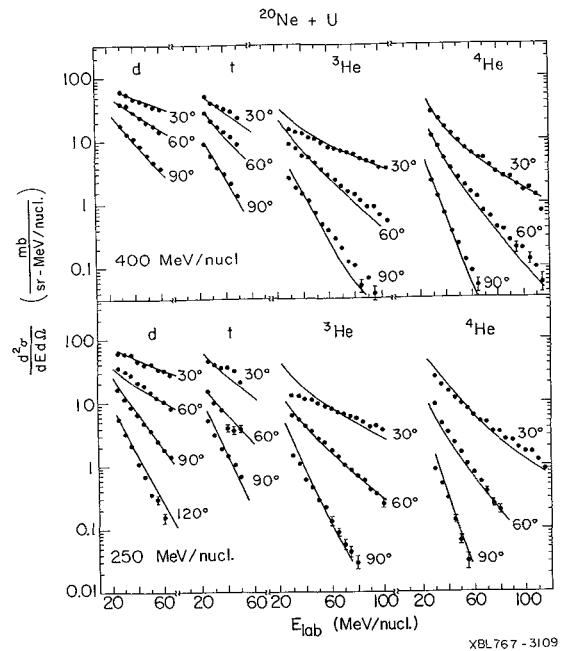


Figure 4. Comparison of experimental double differential cross sections (dots) with calculations of the coalescence model.

In Fig. 4 we show measured double differential cross-sections for d, t, ³He, ⁴He compared to calculations of such a coalescence process. For each projectile incident energy and fragment we extracted one value for p₀ which are all around 130-140 MeV/c. The p₀ values are remarkably uniform even though absorbed into this parameter are the many factors like nuclear structure of the fragments, correlations, etc., not explicitly accounted for in this simple model.

I am very grateful to A. M. Poskanzer and all the members of our group for their enthusiasm and to R. Bock and Ch. Schmelzer for their interest and support.

References

†This work was done with support from the U. S. Energy Research and Development Administration, and from the Bundesminister für Forschung und Technologie, W. Germany.

1. H. H. Gutbrod, A. Sandoval, P. J. Johansen, A. M. Poskanzer, J. Gosset, W. J. Meyer, G. C. Westfall, and R. Stock, Phys. Rev. Letters (to be published).
2. G. D. Westfall, J. Gosset, P. J. Johansen, A. M. Poskanzer, W. G. Meyer, H. H. Gutbrod, A. Sandoval, R. Stock (to be published).
3. A. M. Poskanzer, A. Sandoval, R. G. Sextro, and H. H. Gutbrod, (to be published); A. M. Zebelman, A. M. Poskanzer, J. D. Bowman, R. G. Sextro, and V. E. Viola, Phys. Rev. C11, 1280 (1975).
4. S. T. Butler and C. A. Pearson, Phys. Rev. Letters 7, 69 (1961); Phys. Letters 1, 77 (1962); Phys. Rev. 129, 836 (1963).
5. A. Schwarzschild and C. Zupančič, Phys. Rev. 129, 854 (1963).
6. J. D. Bowman, W. J. Swiatecki, and C.-F. Tsang, LBL-2908 (TID-4500-R61), unpublished report (1973).
7. R. Hagedorn, Cargèse Lectures in Physics VI, E. Schatzmann, ed. (Gordon and Breach, 1973), p. 643.