



HAL
open science

Correction to: Microstructure evolution and fluid transport in porous media: a formal asymptotic expansions approach

Quentin Rousseau, Giulio Sciarra

► **To cite this version:**

Quentin Rousseau, Giulio Sciarra. Correction to: Microstructure evolution and fluid transport in porous media: a formal asymptotic expansions approach. *Archive of Applied Mechanics*, 2024, 94 (11), pp.3293-3295. <10.1007/s00419-024-02704-4>. <hal-04796816>

HAL Id: hal-04796816

<https://hal.science/hal-04796816v1>

Submitted on 26 May 2025

HAL is a multi-disciplinary open access archive for the deposit and dissemination of scientific research documents, whether they are published or not. The documents may come from teaching and research institutions in France or abroad, or from public or private research centers.

L'archive ouverte pluridisciplinaire HAL, est destinée au dépôt et à la diffusion de documents scientifiques de niveau recherche, publiés ou non, émanant des établissements d'enseignement et de recherche français ou étrangers, des laboratoires publics ou privés.



Distributed under a Creative Commons CC BY 4.0 - Attribution - International License



CORRECTION

Quentin Rousseau · Giulio Sciarra

Correction to: Microstructure evolution and fluid transport in porous media: a formal asymptotic expansions approach

Published online: 17 October 2024

© The Author(s), under exclusive licence to Springer-Verlag GmbH Germany, part of Springer Nature 2024

Correction to: Arch Appl Mech

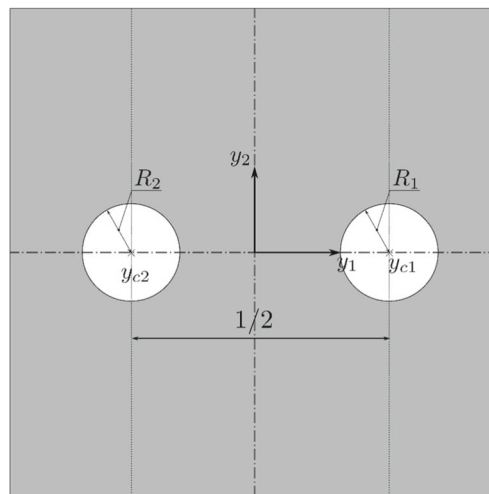
<https://doi.org/10.1007/s00419-024-02668-5>

In this article the wrong figure appeared as Fig. 1; the figures should have appeared as shown below.

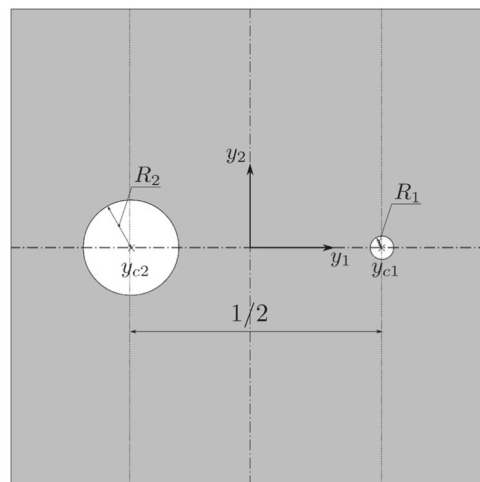
The original article can be found online at <https://doi.org/10.1007/s00419-024-02668-5>.

Q. Rousseau (✉)
Univ. Grenoble Alpes, CNRS, Grenoble INP, 3SR, 38000 Grenoble, France
E-mail: quentin.rousseau@3sr-grenoble.fr

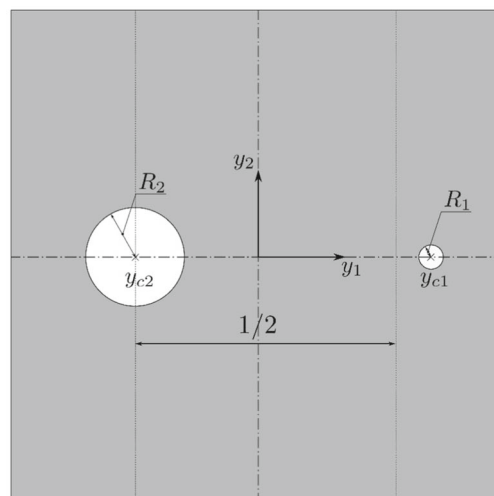
G. Sciarra
Nantes Université, Ecole Centrale de Nantes, CNRS, Institut de Recherche en Génie Civil et Mécanique (GeM), UMR 6183,
44000 Nantes, France
E-mail: giulio.sciarra@ec-nantes.fr



a



b



c

Fig. 1 Three different elementary cells configurations with two grains

The original article has been corrected.

Publisher's Note Springer Nature remains neutral with regard to jurisdictional claims in published maps and institutional affiliations.