



**HAL**  
open science

## Real-time acousto-optic imaging using a high peak power long-pulsed illumination

François Fligliolia, Qin Liu, Sylvie Janicot, Patrick Georges, Gaëlle Lucas-Leclin, Jean-Pierre Huignard, Francois Ramaz, Jean-Michel Tualle, Maimouna Bocoum

### ► To cite this version:

François Fligliolia, Qin Liu, Sylvie Janicot, Patrick Georges, Gaëlle Lucas-Leclin, et al.. Real-time acousto-optic imaging using a high peak power long-pulsed illumination. *Optics Letters*, In press, 10.1364/OL.528953 . hal-04718257

HAL Id: hal-04718257

<https://hal.science/hal-04718257v1>

Submitted on 2 Oct 2024

**HAL** is a multi-disciplinary open access archive for the deposit and dissemination of scientific research documents, whether they are published or not. The documents may come from teaching and research institutions in France or abroad, or from public or private research centers.

L'archive ouverte pluridisciplinaire **HAL**, est destinée au dépôt et à la diffusion de documents scientifiques de niveau recherche, publiés ou non, émanant des établissements d'enseignement et de recherche français ou étrangers, des laboratoires publics ou privés.



Distributed under a Creative Commons Attribution 4.0 International License

*To be published in Optics Letters:*

**Title:** Real-time acousto-optic imaging using a high peak-power long-pulsed illumination

**Authors:** François Fligliolia, Qin Liu, Sylvie Janicot, Patrick Georges, Gaëlle Lucas-Leclin, Jean-Pierre Huignard, François Ramaz, Jean-Michel Tualle, Maimouna Bocoum

**Accepted:** 21 September 24

**Posted** 23 September 24

**DOI:** <https://doi.org/10.1364/OL.528953>

Published by Optica Publishing Group under the terms of the [Creative Commons Attribution 4.0 License](#). Further distribution of this work must maintain attribution to the author(s) and the published article's title, journal citation, and DOI.

OPTICA  
PUBLISHING GROUP

# Real-time acousto-optic imaging using a high peak power long-pulsed illumination

FRANÇOIS FIGLIOLIA<sup>1</sup>, QIN LIU<sup>2</sup>, SYLVIE JANICOT<sup>2</sup>, PATRICK GEORGES<sup>2</sup>, GAËLLE LUCAS-LECLIN<sup>2</sup>, JEAN-PIERRE HUIGNARD<sup>1</sup>, FRANÇOIS RAMAZ<sup>1</sup>, JEAN-MICHEL TUALLE<sup>3</sup>, AND MAÏMOUNA BOCOUM<sup>1\*</sup>

<sup>1</sup>ESPCI Paris, PSL University, CNRS, Institut Langevin, 75005 Paris, France

<sup>2</sup>Université Paris-Saclay, Institut d'Optique Graduate School, CNRS, Laboratoire Charles Fabry, 91127, Palaiseau, France

<sup>3</sup>Laboratoire de Physique des Lasers, CNRS, Université Sorbonne Paris Nord, 99 avenue J.-B. Clément, 93430 Villetaneuse, France

\*maimouna.bocoum@espci.fr

Compiled September 12, 2024

Acousto-optic imaging (AOI) of absorbing objects embedded in highly scattering media remains challenging since the detectable signal suitable for image reconstruction is weak. To increase the detected signals to a level required by live biological applications, we designed a high peak power quasi-continuous laser source based on the coherent combination of two pulsed amplifiers, delivering 100  $\mu$ s-long pulses with a 9 W peak power at a 100 Hz repetition rate while maintaining an average power below 100 mW; jointly used with a digital holographic detection which maximises the amount of collected signal, we demonstrate for the first time the optical imaging of 2-cm-thick highly scattering media ( $\mu'_s \sim 10 \text{ cm}^{-1}$ ) at near video frame rate (0.2 Hz) using Fourier Transform-AOI.

<http://dx.doi.org/10.1364/ao.XX.XXXXXX>

## 1. INTRODUCTION

As light travels through biological tissues, photons undergo multiple scattering events, thus preventing in-depth direct imaging, which mainly relies on ballistic light [1]. Acousto-optic (AO) imaging [2] is therefore of seminal interest because it aims at imaging optical absorbers up to centimetre depths without prior knowledge of the medium scattering properties. In AO imaging (AOI), a spectrally narrow ( $\sim$  MHz) laser illuminates the medium and ballistic ultrasonic waves (US) are used to tag the propagating photons. The signal obtained by filtering out these tagged photons is proportional to the local density of light, such that an image of the optical absorption can be obtained by sequentially varying the spatiotemporal profile of the US.

For *in-vivo* biomedical applications, the filtering process needs to be less than a millisecond to remain insensitive to the speckle decorrelation of biological tissues [3–5]. Moreover, aiming at generating close-to-video rate images requires relaxing any constraint on averaging by maximising the amount of tagged photons collected in a single acquisition. This implies resorting to optical detections with large optical *etendues*, such as spectral hole burning detection [6–8], lock-in cameras [9, 10] and digital

holography [11, 12]. In addition, the tagged photons number can be further increased by properly choosing the insonification scheme. In that respect, images close to video rate (0.2 Hz) have recently been reported by relying on Fourier transform acousto-optic imaging (FT-AOI) [11, 12] which uses long periodic US pulses to tag photons. Photons were detected using off-axis holography with a camera integration time set to 100  $\mu$ s, therefore compatible with the *in-vivo* requirement. Despite the clear advantage of FT-AOI over more traditional insonification schemes [12], single-shot acquisitions remained restricted to low scattering phantoms only ( $\mu'_s \sim 1 \text{ cm}^{-1}$ , an order of magnitude less than biological tissues). To reach a sufficient signal-to-noise (SNR) ratio, our last resort is to increase the laser power while being mindful of the biomedical safety regulations [13] that cap the illumination intensity at 200 mW/cm<sup>2</sup> in the 400 nm – 1400 nm range. An increase in the laser peak power while maintaining a low average power is possible under quasi-continuous-wave (QCW) operation.

The use of QCW light to generate an AO signal was reported only once in the pioneering work of Monchalain et al. 20 years ago [14]. A 1064 nm CW laser seed was amplified with a flashlamp-pumped gain-switched amplifier, providing 500 W peak power pulses of 530  $\mu$ s at a 25 Hz repetition rate. The first reported results [14] relied on a photorefractive detection scheme and a sample illumination of  $\sim$  100 W. However significant these high peak powers are, the authors do not mention any net gain in SNR provided by their source, and no further work based on QCW has since been reported. Indeed, flashlamps were replaced massively by narrower-linewidth diode pumps to improve stability and reduce the thermal load on the crystal known to generate detrimental lensing effects [15]. This latter point is crucial since a simultaneous increase in peak power and laser noise might not necessarily yield a net improvement in SNR, thereby not leading to any image quality enhancement. Finally, the use of the 1064 nm-wavelength in this work is out of the 650 nm  $\leq \lambda \leq$  900 nm therapeutic window where both haemoglobin and water optical absorption is low [16]. In this spectral range, semiconductor laser diodes configured as master-oscillator power amplifiers (MOPAs) are commonly used with CW optical power limited to the Watt level [17–19].

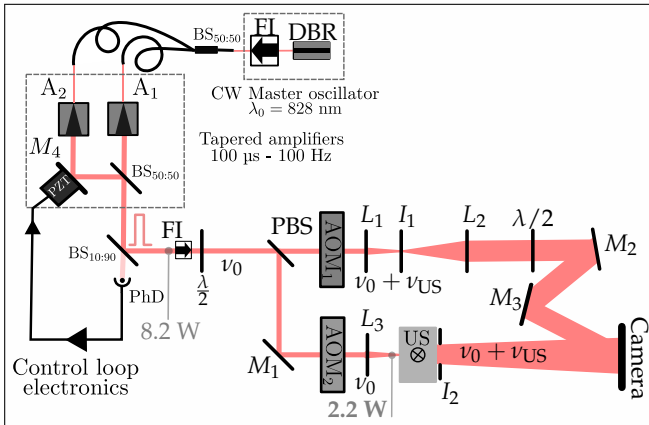
Here, we address the question of high-peak-power instabilities

by favouring semiconductor optical amplifiers operating at 828 nm. We developed a dedicated laser source based on the coherent combination of two amplifiers operating in parallel, seeded by a single narrow-linewidth laser diode. The laser source provides 100  $\mu$ s-long pulses at a 100 Hz rate, with a maximum peak power of 8.2 W. Despite residual pulse-to-pulse power fluctuations at the 100 Hz acquisition rate of the camera, we obtained a substantial SNR improvement over the current state-of-the-art, leading to the first *in-vivo* compatible AO imaging inside thick and highly scattering media at near-video rates.

## 2. DESCRIPTION OF THE EXPERIMENTAL SETUP

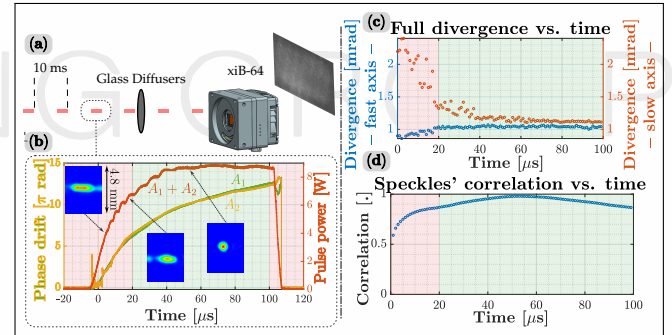
The MOPA architecture presented here is similar to the one implemented in a previous experiment for lidar applications [20]. It is based on the coherent combination of two amplified beams seeded by the same laser source, using constructive interferences between them to sum their optical power. The master oscillator is a single-frequency fibre-coupled DBR laser diode (Photodigm, Inc., PH828DBR180T8), emitting a CW optical power of 100 mW at  $\lambda = 828$  nm. The laser linewidth is estimated to be 0.5 MHz (from the datasheet), and the Side-Mode Suppression Ratio is better than 30 dB. To prevent possible parasitic optical feedbacks and maintain the laser spectral properties under operation, an optical isolator preceded by two Glan polarizers ensures excellent optical isolation ( $> 100$  dB) of the DBR laser from the following elements. The laser beam is directed to a 50:50 PM single-mode fibre coupler to inject two tapered semiconductor optical amplifiers (TPA – Eagleyard Photonics, EYP-TPA-0830). Their gain spectrum is centred at 830 nm, and the amplified beams are linearly polarized. The injection power level is 26 mW to saturate the amplifiers and suppress amplified spontaneous emission [Fig. 1]. Each TPA is pulse-driven by a commercial

achieving an output peak power of 5.5 W per TPA. The astigmatic amplified beams are collimated with a pair of aspheric ( $f'_4 = 2.75$  mm) and cylindrical lenses ( $f'_5 = 12.7$  mm), carefully positioned and glued onto the base plate to maintain stability [Fig. 1]. The amplified beams, combined in a Mach-Zehnder interferometer architecture, are carefully overlapped on a 50:50 beamsplitter in free space for constructive interferences [20, 21]. The dynamic nature of the QCW operation of the semiconductor amplifiers results in a rise of the device temperature during the 100  $\mu$ s pulse, leading to the appearance of a thermal lens. This results in a measurable phase drift during the amplified pulse, and simultaneous dynamic change of the beam profile [Fig. 2][21]. At the maximal operation current of 7 A, the phase drift amplitude repeatedly reaches  $13\pi$ . Since the phase evolutions during the pulses are similar between the two amplified beams, with a maximal phase drift difference below  $0.5\pi$  excluding the first 10  $\mu$ s of the pulse, constructive interference between the two beams persists on the beamsplitter, and no phase correction is necessary during the pulse. However, differential phase fluctuations due to low-frequency thermal and acoustic noises arise for frequencies typically  $< 1$  Hz and must be corrected to maintain a high combination efficiency. For that purpose, a portion of the combined power, measured on a photodiode followed by a sample-and-hold circuit feeds a gradient descent algorithm [20] that generates a path length correction voltage to the piezoelectric transducer attached to a folding mirror [Fig. 1]. The 5 Hz frequency bandwidth of this servo-loop is sufficient to maintain an efficient phase matching between the amplified pulses.



**Fig. 1.** Experimental set-up.  $\lambda/2$ : half-wave plate, PBS: Polarizing Beam Splitter. BS: Beam Splitter. AOM*i*: acousto-optic modulators.  $L_i$ : lenses,  $I_i$ : irises.  $M_i$ : mirrors.  $A_i$ : TPA. PZT: mirror attached on a piezoelectric transducer. PhD: photodiode. FI: Faraday isolator. US: ultrasonic probe.  $\nu_0$ : laser carrier frequency.  $\nu_{US}$ : ultrasounds frequency.

current driver (Arroyo Instruments 4320 Laser source) with a pulse duration of about 100  $\mu$ s at a repetition rate of 100 Hz. The amplified pulse rise time, below 30  $\mu$ s, is limited by the quasi-continuous wave (QCW) current driver performance. The amplifiers are operated at 7A, far above the CW driving current and before thermal rollover reduces the slope efficiency,

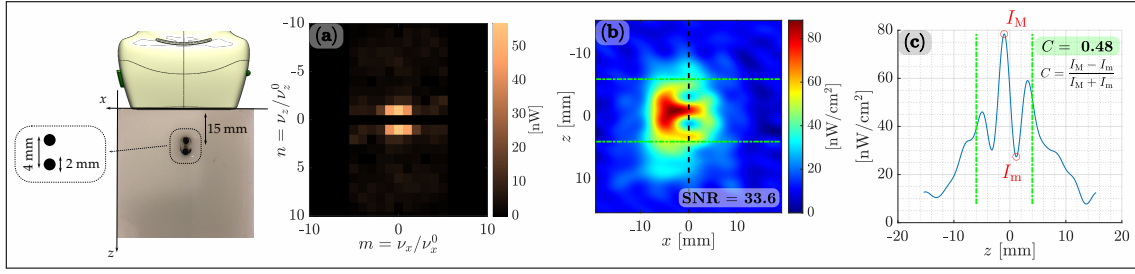


**Fig. 2.** (a) Scheme of acquisition. (b) Time profile of each TPA  $A_i$  and the coherently combined pulse  $A_1 + A_2$ . Images of recombined spatial modes at 10, 20 and 60  $\mu$ s. (c) Evolution of the fast and slow axis spatial divergences during the pulse, measured 85 cm from the collimating lens. (d) Correlation of the instantaneous speckles and the averaged speckle.

As a result, we obtain a combined output peak power of 8 W, corresponding to a combining efficiency of  $84\% \pm 4\%$ , limited by residual mismatches in both spatial and temporal phase profiles. This combining efficiency is comparable with our previous results on TPA operating at different pulse regimes [20, 21].

Complex media are sensitive to the spatial mode of the illumination source. Thus, maintaining the SNR in an AO acquisition requires a stable profile of the amplified laser beam during the pulse to avoid self-induced speckle decorrelation [22]. Here, the evolution of the spatial mode during the pulse is recorded with a CMOS camera positioned 85 cm from the output of the collimating lens ([Fig. 1]:  $L_5$ ). A 1  $\mu$ s camera integration time enables sampling the beam profile at 100 different triggering times throughout the pulse; the beam divergence, estimated





**Fig. 3.** FT-AOI image of two ink inclusions concealed within a 2-cm-thick scattering hydrogel ( $\mu'_s = 5 \text{ cm}^{-1}$ ) with a 2.2 W incident peak power on the gel. (a) Fourier component modulus with  $(n, m) \in [-5; 5] \times [1; 10]$ . (b) AO image obtained by inverse Fourier transform of (a). (c) Vertical intensity profile corresponding to the dotted black line of (b) with an estimation of the contrast in the region limited by the two green dotted lines. Left: phantom cross-section revealing the two ink inclusions –  $I_m$  and  $I_M$  are the maximum and minimum in the green dotted lines limited region.

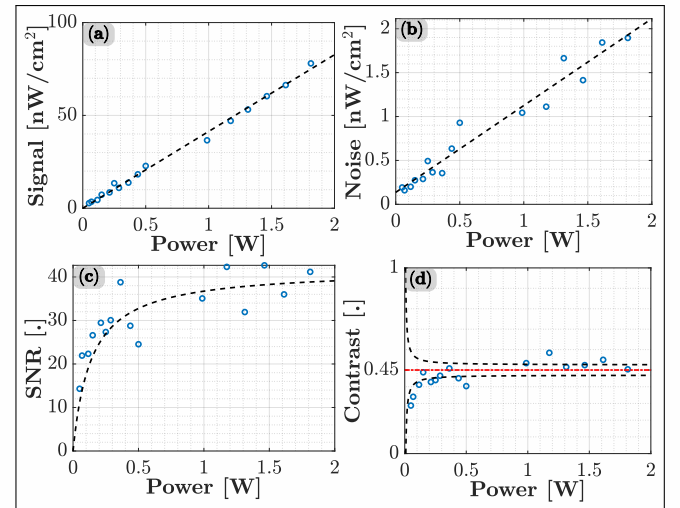
with a Gaussian fit, evolves during the first 20  $\mu\text{s}$  of the pulse before reaching stability, thereby providing a 80  $\mu\text{s}$ -pulse window for AOI, indicated in green color [Fig. 2]. Speckle patterns were recorded in the transmission of a solid diffuser (Thorlabs N-BK7 Ground Glass Diffusers) with an integration time of 1  $\mu\text{s}$  and at different times throughout the pulse [Fig. 2a]. The whole stack of frames reflects the speckle dynamic due to the in-pulse evolution of the spatial mode. We plot the correlation of the full-pulse averaged speckle with an instantaneous speckle over 100 different instants in [Fig. 2d]. As expected, the speckle correlation is high, except for the first 20  $\mu\text{s}$ , justifying the restricted use of the pulse last 80  $\mu\text{s}$  for AO imaging to benefit from our laser power increase fully.

We then perform the image in the transmission of a scattering Agar-Intralipid hydrogel (2% wt.) mimicking both optical and mechanical properties of soft biological tissues [23]; resorting to the FT-AOI, fully described in [11]. Frames are acquired in the Fourier domain by generating long spatiotemporally structured US waves. The holographic detection of the phase-modulated photons is performed using the local oscillator (LO) phase and amplitude-matched to the US tagging pulse. Two  $5 \times 5 \times 2 \text{ cm}^3$  phantoms are prepared with a scattering coefficient of respectively  $\mu'_s = 5 \text{ cm}^{-1}$  and  $\mu'_s = 10 \text{ cm}^{-1}$ , the latter matching that of biological tissues [1]. In both phantoms, two 4-mm-long cylindrical ink inclusions with a 2 mm diameter, separated by 4 mm, are buried 5 mm from the surface, 15 mm below the US transducer array [Fig. 3]. The QCW laser source is split into a LO and a probe beam which illuminates the phantom [Fig. 1]. Accounting for the overall optical transmission from the laser output to our phantom [Fig. 1], the incident peak power is 2.2 W. The speckle pattern transmitted towards the camera carries a 10.9- $\mu\text{W}$ -peak power collected on a 2.4- $\text{cm}^2$ -surface sensitive camera (Ximea xiB-64) of  $4704 \times 3424$  pixels: that is a 7-fold increase in power compared to the CW laser source (MOPA, Sacher Lasertechnik) used in our previous experiments [12].

Photons are tagged with a 192-element linear transducer array (AixPlorer SL10-2) with a carrier frequency set to 3 MHz. The Fourier components  $(m\nu_x^0, n\nu_z^0)$ , where  $(m, n) \in [-5; 5] \times [1; 10]$  are the harmonic orders used for the acquisition and  $\nu_x^0$  and  $\nu_z^0$  the fundamental frequencies in respectively  $x$  and  $z$  direction. The corresponding transverse spatial resolutions of the image are  $\max(m)/(2\nu_x^0) = 3.3 \text{ mm}$  and  $\max(n)/(2\nu_z^0) = 1.6 \text{ mm}$ : enough to discriminate the two inclusions with a  $30 \times 30 \text{ mm}^2$  field of view. For each frequency component  $(n, m)$ , the complex Fourier coefficient is obtained by combining 4 frames where only the LO's phase is varied [11]. As a result, single-shot imaging

requires the acquisition of  $4 \times 110 = 440$  frames. Each frame is processed on a GPU (NVIDIA GTX 1080Ti) running customized highly parallelized computations such that the post-treatment is negligible compared to the acquisition time. At a 100 Hz repetition rate, this enables us to generate an AO image every 4.4 s, corresponding to a near-video rate of  $\sim 0.2 \text{ Hz}$ . This imaging rate could be enhanced either by decreasing the targeted resolution of the imaging system – which would lower the required frame number and therefore the overall acquisition time, by increasing the laser repetition rate up to the camera's maximum frame rate of 300 Hz – which would require to reduce the pulse duration to maintain the laser duty cycle to its current value which is the maximum one the TPA can work with, or by doing sparse imaging – *i.e.* making hypothesis on the object we want to image to measure fewer Fourier components.

### 3. RESULTS

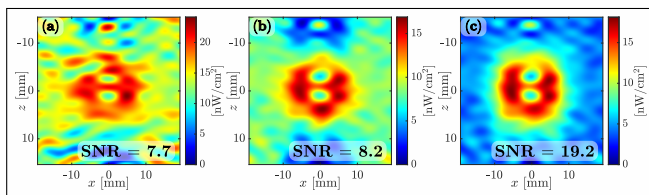


**Fig. 4.** (a) Signal and (b) noise obtained experimentally (circles) and their respective linear fits (black dotted line) as a function of incident peak power, for  $\mu'_s = 5 \text{ cm}^{-1}$ . (c) SNR, calculated from (a) and (b). (d) AO images contrast and the 1- $\sigma$  confidence interval (black dotted-line) deduced from (c). Red line: contrast convergence value.

AO images are first performed through the  $\mu'_s = 5 \text{ cm}^{-1}$  2-cm-thick gel. The acquired Fourier components  $\hat{I}(m\nu_x^0, n\nu_z^0)$  filling

the Fourier plane are shown in [Fig. 3a]. The inverse Fourier transform of  $\tilde{I}(m\nu_x^0, m\nu_z^0)$  provides the AO image [Fig. 3b], revealing the two absorbing inclusions. The longitudinal profile along the two inclusions is plotted in [Fig. 3c], from which we estimated the absorption contrast of  $C = 0.48$ . The same acquisition is reproduced by varying the incident peak power from 50 mW to 2.2 W while maintaining the LO peak power constant to 358  $\mu$ W. The signal is defined as the maximum pixel value of the AO image and the noise as the standard deviation of the pixel values outside the laser halo in the AO image; the resulting SNR and the contrast are extracted and respectively plotted in [Fig. 4a-b-c-d]. As expected, the signal increases linearly with the probe peak power [Fig. 4a]. At zero power, the noise level reaches an offset set by the LO intrinsic noise and then follows a linear increase (as plotted in [Fig. 4b]) which is a characteristic feature of residual classical noise, which justifies the affine model [Fig. 4b] and is to be expected from any residual thermal lensing. These linear and affine models help to predict an SNR trend [Fig. 4c], where it increases with power before reaching an asymptotic value of 41.8. Preventing this saturation effect would require a further reduction of any classical noise, which means pushing the stability of the laser to its classical limit during one camera integration time, *i.e.* for frequency typically greater than 10 kHz. The contrast vs. the incident power is plotted [Fig. 4d] with a  $\sigma$ -confidence interval estimated from the uncertainty propagation of the SNR model previously obtained; for a contrast value of 0.45, the  $\sigma$ -confidence interval well contains the experimental data.

Finally, images performed in the  $\mu'_s = 10 \text{ cm}^{-1}$  phantom (2-cm-thick) [Fig. 5] mimicking a biological sample. From the raw image [Fig. 5a], additional corrections are undertaken to improve the image reconstruction quality and the SNR. First, Fourier components are normalized by the average value of each acquired hologram [Fig. 5b], thus limiting the low-frequency fluctuations effects on the reconstructed image. Then, to overcome the experimental difficulty of measuring the Fourier harmonics  $n = 0$ , the average value of each AO image's column is subtracted from the final AO image [Fig. 5c]. The resulting SNR of  $19.2 \pm 2.3$  is approximately 12 times higher than previously reported images for a similar phantom but twice thinner than the sample herein used [12]. The imaging technique thus greatly benefits from the significant optical power increase during the camera integration time, meaning that the laser source properties are stable enough to prevent the speckle decorrelation.



**Fig. 5.** Single-shot FT-AOI image for the  $10 \text{ cm}^{-1}$  phantom. (a) Raw image. (b) Image obtained by normalizing the Fourier components by the hologram average power. (c) Image obtained from (b) by adding an average value to compensate the unmeasured Fourier harmonics for  $n = 0$ .

#### 4. CONCLUSIONS

We demonstrated how combining a tailored powerful QCW laser source based on an advanced laser architecture with the FT-

AOI imaging technique enables to probe efficiently phantoms with a scattering coefficient matching that of biological tissues, with no need for signal averaging. Two noise sources remained as a limit to the highest reachable SNR. Firstly, high-frequency classical noise, typically over 10 kHz, mostly due to thermal lensing during the amplification, may lead to a self-induced decorrelation of the transmitted speckle; to limit this effect, we selected a part of the pulse where this effect was minimized. Secondly, low-frequency intensity noise at the camera frame rate induces frame-to-frame fluctuations of the signal; this is less detrimental since it can be measured, for instance on the zero order of the hologram, and included in the image reconstruction. Addressing both of these limitations, we performed single-shot acquisition schemes on a phantom mimicking the scattering strength of biological tissues ( $\mu'_s = 10 \text{ cm}^{-1}$ ) at 0.2 Hz. We are currently working on a further reduction of the laser classical noise and an increased number of coherently combined amplifiers to reach even higher SNR, thereby paving the way towards state-of-the-art deep acousto-optic imaging of highly scattering media.

**Funding.** Agence Nationale de la Recherche (ANR-21-CE42-0014).

**Acknowledgments.** This project has received financial support from the CNRS through the MITI interdisciplinary programs.

**Disclosures.** The authors declare no conflicts of interest.

**Data Availability Statement.** Data underlying the results presented in this paper may be obtained from the authors upon reasonable request.

#### REFERENCES

- V. Ntziachristos, *Nat. methods* **7**, 603 (2010).
- W. Leutz and G. Maret, *Phys. B: Condens. Matter* **204**, 14 (1995).
- M. M. Qureshi, J. Brake, H.-J. Jeon, *et al.*, *Biomed. Opt. Express* **8**, 4855 (2017).
- Y. Liu, P. Lai, C. Ma, *et al.*, *Nat. Commun.* **6**, 5904 (2015).
- X. Wang, W. Zhao, A. Zhai, and D. Wang, *Opt. Express* **31**, 32287 (2023).
- J. Gunther, A. Walther, L. Rippe, *et al.*, *J. Biomed. Opt.* **23**, 071209 (2018).
- C. Venet, M. Bocoum, J.-B. Laudereau, *et al.*, *Opt. Lett.* **43**, 3993 (2018).
- Q. M. Thai, G. Kalot, C. Venet, *et al.*, *Biomed. optics express* **13**, 6484 (2022).
- Y. Liu, C. Ma, Y. Shen, and L. V. Wang, *Opt. letters* **41**, 1321 (2016).
- K. Barjean, K. Contreras, J.-B. Laudereau, *et al.*, *Opt. letters* **40**, 705 (2015).
- M. Bocoum, F. Figliolia, J.-P. Huignard, *et al.*, *Appl. Opt.* **62**, 4740 (2023).
- L. Dutheil, M. Bocoum, M. Fink, *et al.*, *Appl. optics* **60**, 7107 (2021).
- "Norm NF EN 60825, afnor edition (2008)."
- G. Rousseau, A. Blouin, and J.-P. Monchalain, *Opt. Express* **16**, 12577 (2008).
- R. L. Byer, *Science* **239**, 742 (1988).
- K. Singh, *Small Molecule Probes for Photodynamic Therapy (PDT)* (University of Toronto (Canada), 2019).
- M. Chi, O. B. Jensen, J. Holm, *et al.*, *Opt. express* **13**, 10589 (2005).
- B. Sumpf, K.-H. Hasler, P. Adamiec, *et al.*, *IEEE J. Sel. Top. Quantum Electron.* **15**, 1009 (2009).
- G. Blume, J. Pohl, D. Feise, *et al.*, *Opt. Lett.* **40**, 1757 (2015).
- Q. Liu, S. Janicot, P. Georges, and G. Lucas-Leclin, *Opt. Lett.* **48**, 489 (2023).
- P. Albrodt, M. Niemeyer, P. Crump, *et al.*, *Opt. Express* **27**, 27891 (2019).
- K. Kim, H. Yu, K. Lee, and Y. Park, *Sci. Reports* **7**, 44435 (2017).
- S. L. Jacques, *Phys. Med. Biol.* **58**, R37 (2013).

## FULL REFERENCES

318

- 319 1. V. Ntziachristos, "Going deeper than microscopy: the optical imaging  
320 frontier in biology," *Nat. methods* **7**, 603–614 (2010).
- 321 2. W. Leutz and G. Maret, "Ultrasonic modulation of multiply scattered  
322 light," *Phys. B: Condens. Matter* **204**, 14–19 (1995).
- 323 3. M. M. Qureshi, J. Brake, H.-J. Jeon, *et al.*, "In vivo study of optical  
324 speckle decorrelation time across depths in the mouse brain," *Biomed.*  
325 *Opt. Express* **8**, 4855–4864 (2017).
- 326 4. Y. Liu, P. Lai, C. Ma, *et al.*, "Optical focusing deep inside dynamic scat-  
327 tering media with near-infrared time-reversed ultrasonically encoded  
328 (TRUE) light," *Nat. Commun.* **6**, 5904 (2015).
- 329 5. X. Wang, W. Zhao, A. Zhai, and D. Wang, "Efficiently scanning a focus  
330 behind scattering media beyond memory effect by wavefront tilting and  
331 re-optimization," *Opt. Express* **31**, 32287–32297 (2023).
- 332 6. J. Gunther, A. Walther, L. Rippe, *et al.*, "Deep tissue imaging with  
333 acousto-optical tomography and spectral hole burning with slow light  
334 effect: a theoretical study," *J. Biomed. Opt.* **23**, 071209–071209 (2018).
- 335 7. C. Venet, M. Bocoum, J.-B. Laudereau, *et al.*, "Ultrasound-modulated  
336 optical tomography in scattering media: flux filtering based on persis-  
337 tent spectral hole burning in the optical diagnosis window," *Opt. Lett.*  
338 **43**, 3993–3996 (2018).
- 339 8. Q. M. Thai, G. Kalot, C. Venet, *et al.*, "In vivo ultrasound modulated op-  
340 tical tomography with a persistent spectral hole burning filter," *Biomed.*  
341 *optics express* **13**, 6484–6496 (2022).
- 342 9. Y. Liu, C. Ma, Y. Shen, and L. V. Wang, "Bit-efficient, sub-millisecond  
343 wavefront measurement using a lock-in camera for time-reversal based  
344 optical focusing inside scattering media," *Opt. letters* **41**, 1321–1324  
345 (2016).
- 346 10. K. Barjean, K. Contreras, J.-B. Laudereau, *et al.*, "Fourier transform  
347 acousto-optic imaging with a custom-designed cmos smart-pixels array,"  
348 *Opt. letters* **40**, 705–708 (2015).
- 349 11. M. Bocoum, F. Figliolia, J.-P. Huignard, *et al.*, "Suppression of the  
350 Talbot effect in Fourier transform acousto-optic imaging," *Appl. Opt.* **62**,  
351 4740–4746 (2023).
- 352 12. L. Dutheil, M. Bocoum, M. Fink, *et al.*, "Fourier transform acousto-optic  
353 imaging with off-axis holographic detection," *Appl. optics* **60**, 7107  
354 (2021).
- 355 13. "Norm NF EN 60825, afnor edition (2008)," .
- 356 14. G. Rousseau, A. Blouin, and J.-P. Monchalain, "Ultrasound-modulated  
357 optical imaging using a powerful long pulse laser," *Opt. Express* **16**,  
358 12577–12590 (2008).
- 359 15. R. L. Byer, "Diode laser—pumped solid-state lasers," *Science* **239**,  
360 742–747 (1988).
- 361 16. K. Singh, *Small Molecule Probes for Photodynamic Therapy (PDT)*  
362 (University of Toronto (Canada), 2019).
- 363 17. M. Chi, O. B. Jensen, J. Holm, *et al.*, "Tunable high-power narrow-  
364 linewidth semiconductor laser based on an external-cavity tapered  
365 amplifier," *Opt. express* **13**, 10589–10596 (2005).
- 366 18. B. Sumpf, K.-H. Hasler, P. Adamiec, *et al.*, "High-Brightness Quantum  
367 Well Tapered Lasers," *IEEE J. Sel. Top. Quantum Electron.* **15**, 1009–  
368 1020 (2009).
- 369 19. G. Blume, J. Pohl, D. Feise, *et al.*, "Single-mode master-oscillator power  
370 amplifier at 647 nm with more than 500 mw output power," *Opt. Lett.*  
371 **40**, 1757 (2015).
- 372 20. Q. Liu, S. Janicot, P. Georges, and G. Lucas-Leclin, "Coherent combi-  
373 nation of micropulse tapered amplifiers at 828 nm for direct-detection  
374 LIDAR applications," *Opt. Lett.* **48**, 489–492 (2023).
- 375 21. P. Albrodt, M. Niemeyer, P. Crump, *et al.*, "Coherent beam combining  
376 of high power quasi continuous wave tapered amplifiers," *Opt. Express*  
377 **27**, 27891–27901 (2019).
- 378 22. K. Kim, H. Yu, K. Lee, and Y. Park, "Universal sensitivity of speckle in-  
379 tensity correlations to wavefront change in light diffusers," *Sci. Reports*  
380 **7**, 44435 (2017).
- 381 23. S. L. Jacques, "Optical properties of biological tissues: a review," *Phys.*  
382 *Med. Biol.* **58**, R37–61 (2013).