



HAL
open science

Technical note: An autonomous flow-through salinity and temperature perturbation mesocosm system for multi-stressor experiments

Cale Miller, Pierre Urrutti, Jean-Pierre Gattuso, Steeve Comeau, Anaïs Lebrun, Samir Alliouane, Robert Schlegel, Frédéric Gazeau

► To cite this version:

Cale Miller, Pierre Urrutti, Jean-Pierre Gattuso, Steeve Comeau, Anaïs Lebrun, et al.. Technical note: An autonomous flow-through salinity and temperature perturbation mesocosm system for multi-stressor experiments. *Biogeosciences*, 2024, 21 (1), pp.315-333. 10.5194/bg-21-315-2024. hal-04628973

HAL Id: hal-04628973

<https://hal.science/hal-04628973>

Submitted on 30 Jun 2024

HAL is a multi-disciplinary open access archive for the deposit and dissemination of scientific research documents, whether they are published or not. The documents may come from teaching and research institutions in France or abroad, or from public or private research centers.

L'archive ouverte pluridisciplinaire **HAL**, est destinée au dépôt et à la diffusion de documents scientifiques de niveau recherche, publiés ou non, émanant des établissements d'enseignement et de recherche français ou étrangers, des laboratoires publics ou privés.



Distributed under a Creative Commons Attribution 4.0 International License



Technical note: An autonomous flow-through salinity and temperature perturbation mesocosm system for multi-stressor experiments

Cale A. Miller^{1,a}, Pierre Urrutti¹, Jean-Pierre Gattuso^{1,2}, Steeve Comeau¹, Anaïs Lebrun¹, Samir Alliouane¹, Robert W. Schlegel¹, and Frédéric Gazeau¹

¹Sorbonne Université, CNRS, Laboratoire d'Océanographie de Villefranche, 181 Chemin du Lazaret, 06230 Villefranche-sur-Mer, France

²Institute for Sustainable Development and International Relations, Sciences Po, 27 Rue Saint-Guillaume, 75007 Paris, France

^apresent address: Department of Earth Sciences, Faculty of Geosciences, Utrecht University, 3584 CB Utrecht, the Netherlands

Correspondence: Cale A. Miller (c.a.miller@uu.nl)

Received: 18 April 2023 – Discussion started: 4 May 2023

Revised: 17 November 2023 – Accepted: 27 November 2023 – Published: 17 January 2024

Abstract. The rapid environmental changes in aquatic systems as a result of anthropogenic forcings are creating a multitude of challenging conditions for organisms and communities. The need to better understand the interaction of environmental stressors now, and in the future, is fundamental to determining the response of ecosystems to these perturbations. This work describes an automated ex situ mesocosm perturbation system that can manipulate several variables of aquatic media in a controlled setting. This perturbation system was deployed in Kongsfjorden (Svalbard); within this system, ambient water from the fjord was heated and mixed with freshwater in a multifactorial design to investigate the response of mixed-kelp communities in mesocosms to projected future Arctic conditions. The system employed an automated dynamic offset scenario in which a nominal temperature increase was programmed as a set value above real-time ambient conditions in order to simulate future warming. A freshening component was applied in a similar manner: a decrease in salinity was coupled to track the temperature offset based on a temperature–salinity relationship in the fjord. The system functioned as an automated mixing manifold that adjusted flow rates of warmed and chilled ambient seawater, with unmanipulated ambient seawater and freshwater delivered as a single source of mixed media to individual mesocosms. These conditions were maintained via continuously

measured temperature and salinity in 12 mesocosms (1 control and 3 treatments, all in triplicate) for 54 d. System regulation was robust, as median deviations from nominal conditions were < 0.15 for both temperature ($^{\circ}\text{C}$) and salinity across the three replicates per treatment. Regulation further improved during a second deployment that mimicked three marine heat wave scenarios in which a dynamic temperature regulation held median deviations to < 0.036 $^{\circ}\text{C}$ from the nominal value for all treatment conditions and replicates. This perturbation system has the potential to be implemented across a wide range of conditions to test single or multi-stressor drivers (e.g., increased temperature, freshening, and high CO_2) while maintaining natural variability. The automated and independent control for each experimental unit (if desired) provides a large breadth of versatility with respect to experimental design.

1 Introduction

The persistent burning of fossil fuels since the industrial revolution has radically increased atmospheric CO_2 . This has led to an enhanced greenhouse effect, resulting in a multitude of changing climatic elements such as increasing sea surface temperature (Bindoff et al., 2019). In fjord systems, the con-

fluence of increased fluvial inputs, glacier and permafrost meltwater, stratification and water mass intrusion, and increased sea surface temperatures can create periods of extreme physicochemical conditions for nearshore benthic and pelagic marine communities (Bhatia et al., 2013; Poloczanska et al., 2016; Divya and Krishnan, 2017; Bindoff et al., 2019). As ocean changes progress, the need to better understand the effects of combined stressors (e.g., increased temperature and freshening) on marine communities is essential to understand how community function and species richness will be affected while ecosystems adjust to these new environmental conditions (Kroeker et al., 2017; Wake, 2019; Orr et al., 2020). Several methodological approaches have been used to assess and characterize the response of organisms and communities to future ocean changes, such as *ex situ* experimentation, the use of natural analogues (e.g., CO₂ vents), and space-for-time substitution (using spatial phenomena to model temporal changes) (Blois et al., 2013; Rastrick et al., 2018; Bass et al., 2021). These approaches, however, can be limited with respect to testing the full range and dynamics of present and future environmental conditions. The use of *ex situ* experimental systems that manipulate multiple environmental conditions, such as temperature and salinity, can therefore provide a valuable tool to assess the response to multiple stressors in a future ocean.

The necessity to conduct multi-stressor experiments has become more pressing due to the increasing interactions of environmental drivers within dynamic systems under a changing climate (Kroeker et al., 2020). Nearshore regions, for example, can experience amplified modulations of temperature and salinity on short timescales (Evans et al., 2015; Hales et al., 2016; Fairchild and Hales, 2021). Such instances have been observed in subarctic estuaries, where water temperature at a depth of 10 m decreased by 1.5 °C in < 10 h, and in temperate systems, where the magnitude of salinity change driven by high precipitation displayed a decrease of four units in < 24 h (Miller and Kelley, 2021; Poppeschi et al., 2021). Changes of this magnitude are particularly pertinent for Arctic fjords, where the variations in salinity from glacial meltwater can influence whether a system exhibits net heterotrophic or autotrophic characteristics (Sejr et al., 2022).

Recent advances in the ability to modulate several environmental parameters at once using *ex situ* mesocosms have been made via the use of modular programmable systems (Wahl et al., 2015; Pansch and Hiebenthal, 2019). Such systems have demonstrated an ability to apply programmable environmental scenarios as a multifactorial design or as a delta change (offset) from ambient conditions that mimic the natural variability in an environment. The advantages of these types of automated systems lie in their ability to overcome the need to capture and measure abundant discrete measurements used to regulate experimental conditions and to transcend the logistical difficulties of implementing natural variability in experimental designs. In addition, these sys-

tems can reduce the need for constant human observation, which may be required to program new regulatory operations or make rapid adjustments to experimentally manipulated conditions.

Here, we describe an autonomous salinity and temperature experimental perturbation mesocosm system (SalTexPreS) that has the ability to modify, and then regulate, salinity and temperature in real time. SalTexPreS can perform similar functions to the *ex situ* mesocosm systems discussed above (i.e., Kiel Outdoor Benthocosms and Kiel Indoor Benthocosms). These functions include applying programmable static or dynamic changes to temperature and salinity or replicating natural variability as an offset in real time, but it has the added capability of autonomous control for each experimental unit (e.g., chamber or mesocosm). In the initial deployment of SalTexPreS, we applied a delta offset (i.e., offset from a measured control) to temperature and salinity as a fractional-factorial treatment design for a 2-month-long experiment in Kongsfjorden, Svalbard, that exposed mixed-kelp communities to future temperature, salinity, and irradiance. This study demonstrates the stability and flexibility of SalTexPreS as an experimental tool to be utilized under extreme and dynamic conditions to test the effects of physicochemical multi-stressors on marine organisms and communities in the context of a multi-month experiment.

2 Methods

2.1 Operational concept of the experimental system

SalTexPreS simulates the drivers in a marine or freshwater system, such as temperature, freshening, acidification, or hypoxia, as either static or temporally variable modifications to a reference water source. This is accomplished by mixing manipulated source water, whether it is freshwater or warmed water, with ambient water via automatic flow valves that control the volume and rate of water delivered. This is regulated by the constant monitoring of the mixed-water conditions in each mesocosm or chamber via a programmable feedback loop that transmits the opening or closing of the automatic flow valves. The automated ability of SalTexPreS is configured to respond to near-instantaneous measurements (several reads per second) to achieve high-frequency regulation of the manipulated drivers based on a measured *in situ* or control reference. The programmable nominal conditions in each mesocosm are easily controllable through an intuitive user interface.

2.2 Site description and experimental design

Kongsfjorden is a fjord system on the west coast of Svalbard (Norway); within this system, the West Spitsbergen Current exchanges warm Atlantic water through sill channels based on differences in density gradients at the fjord mouth. Over the past 2 decades, a persistent influx of Atlantic water has

resulted in the reduction in sea ice and the melting of marine-terminating glaciers, causing enhanced freshwater and fluvial input (Luckman et al., 2015; Tverberg et al., 2019). The influx of freshwater is highest in summer and is accompanied by an important sediment loading with the potential to reduce the euphotic zone from 30 to 0.3 m depth (Svendsen et al., 2002). These climatic changes in the Kongsfjorden environment set a relevant context for the inaugural SalTexPreS experiment. SalTexPreS was placed on a concrete platform situated ~ 12 m from the shoreline in Ny-Ålesund, which is located on the southwestern shore of Kongsfjorden at a distance of ~ 11 km from the fjord mouth.

SalTexPreS was utilized to implement three treatment scenarios in a fractional-factorial design to simulate expected future conditions in Kongsfjorden as part of a 54 d experiment that supervised the productivity, survival, and growth response of mixed-kelp communities surveyed at 7 m (maximum depth of collection). The treatments were realized by multi-driver combinations of temperature, freshening, and irradiance, where treatments 1 and 2 differed with respect to the magnitude of temperature increase, salinity decrease, and irradiance decrease (Table 1). Only temperature was manipulated for treatment 3. The chosen treatment and salinity perturbations were applied as offset values from in situ fjord conditions, which were measured at an underwater observatory fixed at 11 m depth and captured the natural variability in the fjord system. The applied temperature offsets used for this experiment reflected the projected Shared Socioeconomic Pathway (SSP) 2-4.5 (SSP2-4.5) and 5-8.5 (SSP5-8.5) scenarios (Meredith et al., 2019; Overland et al., 2019; Table 1). The chosen decreases in salinity were based on correlations between in situ temperature and salinity during summer 2020 in Kongsfjorden (Gattuso et al., 2023), weeks 22 to 35 (Appendix A1 and Fig. A1). These calculated delta salinity values were applied as offsets in treatments 1 and 2 (Table 1). The third treatment scenario applied a temperature change of $+5.3^\circ\text{C}$ as a way to decouple the multi-stressor system and evaluate a temperature-only stress. The effect of turbidity for treatments 1 and 2 was simulated as a decrease in surface irradiance (i.e., $\sim 25\%$ and $\sim 40\%$ reduction from ambient irradiance at 7 m, respectively) by applying a combination of neutral light and spectral filters (Lee Filters) placed as static fixtures over the top of the mesocosms. The response of these kelp community assemblages was determined in part by conducting weekly closed-system incubations and assessing the growth and metabolism of the kelp in each mesocosm – details and results of this experiment are discussed elsewhere (Lebrun et al., 2023; Miller et al., 2023a).

2.3 Experimental system

Water was pumped from Kongsfjorden at 10 m depth (300 m offshore) using a submersible pump (Albatros F13T, NPS) that was tapped into an underwater intake pipe and that fed a header tank in the Kings Bay Marine Laboratory in

Ny-Ålesund, Svalbard. To prevent clogging from sediment, the pump was situated at 10 m depth, thereby ensuring a safe height above sediment resuspension from the seafloor. Pumped ambient seawater from the header tank was then split into three sub-header tanks within the marine lab with the following conditions: (1) unchanged ambient seawater, (2) ambient water chilled to 0°C , or (3) ambient water warmed to 15°C . Each sub-header tank was plumbed to supply a maximum flow of $6\text{ m}^3\text{ h}^{-1}$ of ambient, $1\text{ m}^3\text{ h}^{-1}$ of chilled, and $2\text{ m}^3\text{ h}^{-1}$ of warmed water to each outflow pipe; this required a pressure of 0.3 bar for each line to ensure consistent flow rates (Fig. 1). The three control mesocosms received a mix of chilled and ambient seawater in order to properly simulate in situ temperatures. The three experimental treatments (nine mesocosms in total) received a mix of ambient, warmed, and freshwater for treatments 1 and 2, whereas treatment 3 received a mix of just ambient and warmed water (Fig. 1). Freshwater was sourced from the tap, which is fed by the Tvillingvann reservoir close to Ny-Ålesund. The total flow-through rate of each mesocosm was $0.5\text{ m}^3\text{ h}^{-1}$ (i.e., each mesocosm turned over every 2 h) of post-mixed media delivered in an open-cycle flow-through system, which was the necessary flow rate needed to maintain the target nominal values. Continuous flow was maintained throughout the experiment except for weekly 3 h interruptions (to perform experiments on the community) during which the flow to each mesocosm was shut off. In total, there were 12 circular mesocosms (3 treatments and 1 control, each with 3 replicates) with a mean diameter of 1.1 m and a volume of 1 m^3 , each equipped with a 12 W wave pump (Sunsun JVP-132), a temperature–conductivity probe (PC4E, Aqualabo), an optical oxygen sensor (PODOC, Aqualabo), and an Odyssey light logger. Fiberglass insulation on the outside of each mesocosm reduced unintended changes in the treatment water temperature.

Delivery of ambient, chilled, warmed, and fresh water first ran through an automated mixing manifold that regulated the flow of each media type, ensuring that the proper volumetric proportions passed through the regulator valves to achieve target conditions (Fig. 1). Each source-water flow line was regulated by an automated two-way mixing valve (including the incoming freshwater line) which then passed through a three-way mixing valve that was assigned to each mesocosm (12 in total; Fig. 1). This style of regulation ensured that the proper proportions of manipulated media and ambient water were mixed to achieve nominal conditions. Any temperature variation induced by mixing freshwater was immediately compensated for by regulating the flow of the warm-water line. Details regarding the programmed regulation are discussed further in the Appendix (Sect. A2). The mixed media then passed through a flow meter that measured the flow rate to each mesocosm. A hand-crank regulating valve was placed directly after the flow meter and was used to make minor adjustments and control the overall flow. Measurements by the pressure sensors, the status of the open position for the reg-

Table 1. Experimental treatment conditions with corresponding offsets (compared with the control) for temperature (°C), salinity, and photosynthetically active radiation (PAR; expressed as a percentage). See Sect. A1 and Fig. A1 for a full description of the temperature–salinity relationship used to calculate salinity offsets.

Treatment	Temperature	Salinity	PAR
1	+3.3 °C $-S = 0.546 \times T + 0.490$	-2.5–3.0	-25 % PAR
2	+5.3 °C $-S = 0.877 \times T + 0.089$	-5.0–5.5	-40 % PAR
3	+5.3 °C	Ambient	Ambient

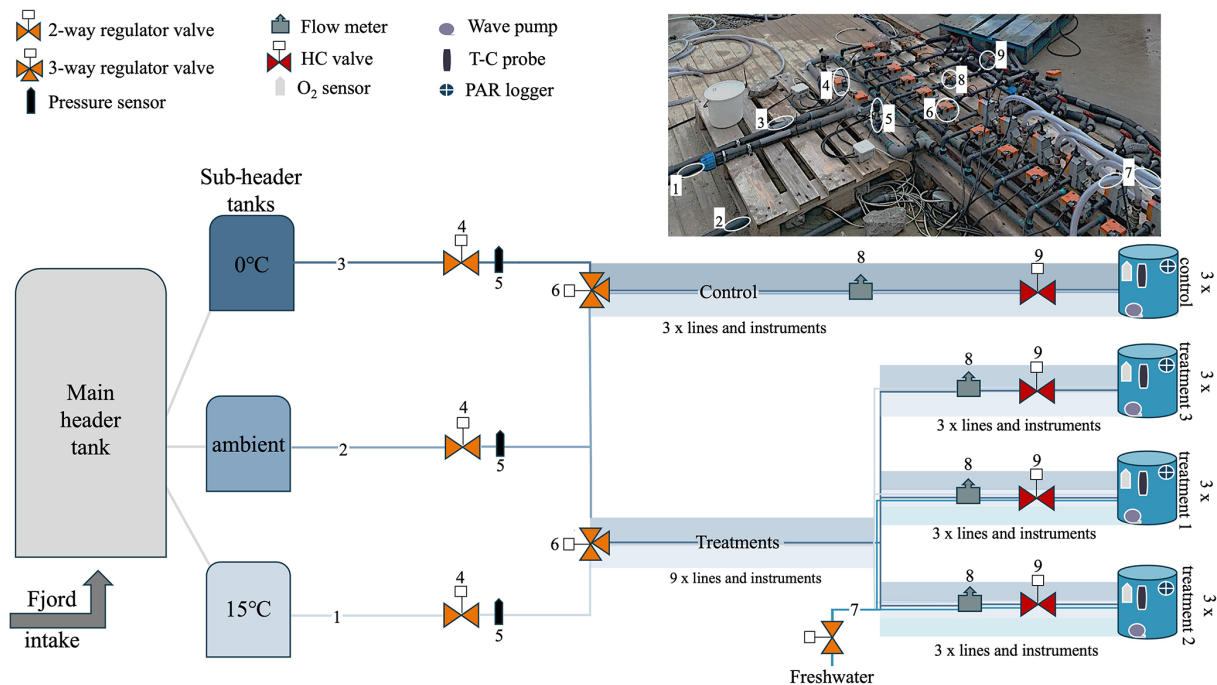


Figure 1. Piping schematic of SalTEExPreS, including the mixing and regulation manifold. Items 1–3 depict the main seawater inlets from the warmed, ambient, and chilled sub-header tanks located in the Kings Bay Marine Laboratory. Seawater from each sub-header tank moves through a two-way regulator (4) valve followed by a pressure sensor (5) before splitting into individual lines that lead to all 12 three-way regulator valves (6), each assigned to a single mesocosm. For treatments 1 and 2, the freshwater inlet (clear tube; item 7) passes through a two-way regulator valve before mixing with the ambient- and warmed-seawater lines. Flow rates are then measured (8) post-mixing, and final flow rates are set using a hand-crank (HC) red valve (9). The shaded regions in the schematic indicate that mixed-media lines and instruments occur three or nine times. The T–C probe is the temperature–conductivity probe, and the PAR logger measures the photosynthetically active radiation. Photos of mesocosms and the sensors inside can be found in the Appendix (Fig. A6). Table A1 provides the parts list for the items shown in this figure.

ulator valves, and flow rates were logged every minute and displayed on the user interface (Fig. A3).

2.4 Nominal regulation

Nominal temperature conditions of +3.3, 5.3, and 5.3 °C, applied to treatments 1, 2, and 3, respectively, were offsets from the nominal control temperature. The nominal temperature of the control was updated hourly and programmed to replicate the measured in situ conditions in the fjord logged by the

AWIPEV (Alfred Wegener Institute and Institute Paul Émile Victor) FerryBox part of the COSYNA (Coastal Observation System for Northern and Arctic Seas) underwater observatory (<https://dashboard.awi.de/>, last access: 28 August 2021) situated at a depth of 11 m. Each treatment condition (temperature and salinity offset) was set by manually programming the nominal value of temperature in the software interface (see Appendix A3). The salinity offset was coupled to the nominal temperature via the correlation described in Appendix A1. The measured temperature and salinity obser-

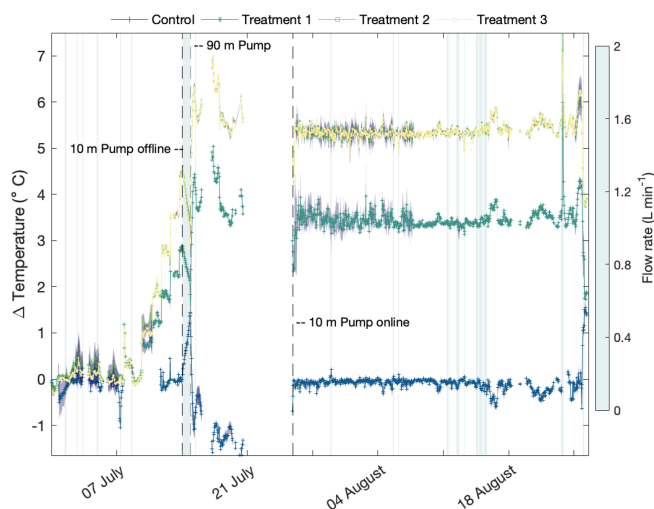


Figure 2. The hourly mean (across triplicate mesocosms) temperature offsets of all applied conditions. For control mesocosms (in blue), offsets were calculated against in situ measurements (FerryBox). For the three experimental treatments (dark green, light green, and yellow for treatments 1, 2, and 3, respectively), offsets were estimated against the mean control values. The purple shaded region around the mean is the standard deviation. The heatmap isoclines (blue-gray shaded regions) are instances in which flow rates were $\leq 2 \text{ L min}^{-1}$ (threshold to avoid large deviations of > 2.0 salinity or temperature). Dashed black lines indicate periods during which the pumps at 10 m depth and 90 m depth were used to feed the sub-header tanks. The time presented is the duration of the experimental deployment.

vations from inside each mesocosm were recorded multiple times per minute and used to continuously monitor the regulation of the conditions inside each mesocosm. This data transmission was used to program the software controller that performed the automated regulation of mixed media (see Appendix A2 for details).

2.5 Software

The software application used to control SalTexPreS was developed using Visual Studio Community (2019 edition) with the Visual Micro extension and Arduino 1.8.13. The program application has a user-friendly interface designed to allow real-time monitoring and parameterization of regulation processes (Fig. A3). The main window displays each mesocosm condition (the parameters measured by a sensor); their piping connections; a connection status for each programmable logic controller (PLC) that provides information on proper communication, date, and time of the last received communication packet from the head PLC; and the status of the experiment (e.g., started or stopped). The interface also displays the valve-opening percentage along with the nominal pressure and the actual measured value for each main source-water inlet. In addition, the in situ data (temperature and salinity) received from the FerryBox are displayed with

the time and date of the last logged value utilized to program the real-time nominal value of the control. Sensor readings of flow rate (L min^{-1}), O_2 saturation (%), salinity, and temperature ($^{\circ}\text{C}$) are shown for each mesocosm in conjunction with the treatment nominal values (i.e., temperature, and salinity when relevant). All measured data are stored through the server connection to the cloud; however, there is a backup microSD card on the head PLC that logs data from all mesocosms every 5 s. If communication fails between the head PLC and the interfaced computer, data will not be retrieved by the PC during the communication break, but they will be retained by the microSD card.

3 Results

3.1 Regulation of the control

The control was able to simulate the ambient fjord temperature well over the experimental period, while the average value across the three replicates deviated $< 0.3^{\circ}\text{C}$ (Table 2, Fig. 2). The overall quality of the regulation was achieved by the ability of the system to interpret and respond to the measured data from the FerryBox (or to follow a manually programmed nominal value when communication with the FerryBox was interrupted). During the experiment, the FerryBox was intermittently offline 24 % of the time, ceasing the transmission of real-time data and resulting in a break of communication with the PLCs. These somewhat frequent breaks in communication resulted in an average nominal deviation that was nearly 2-fold for the control compared with the treatment conditions (Table 2). The ability to manually program a new nominal value when communication breaks occurred ensured that the control remained robustly regulated. Over the entire period of SalTexPreS deployment, the mean temperature of the control increased from ~ 4 to 6.5°C from early July to the end of August (Fig. 3a). The coldest mean temperature of the control occurred when a backup pump situated at 90 m depth in the fjord was used from $\sim 21:00$ UTC on 14 July 2021 until 13:49 UTC on 26 July 2021 while the original pump at 10 m depth was repaired. During this period, the control was ~ 1.0 – 1.5°C cooler than the temperature measured by the FerryBox (Figs. 2, 3). As a warmed-seawater inlet was not supplied to the control, the temperature of the control remained cooler than the measured ambient conditions at the FerryBox. Despite the cooler temperature for the control, the regulation of flow rates, mesocosm turnover time, and variability across the control replicates were well maintained by the system.

3.2 Temperature and salinity regulation

The regulation of temperature and salinity under the different treatment conditions (treatments 1–3) was maintained by SalTexPreS for the full planned duration of 54 d 3 July to

Table 2. Absolute mean difference between measured temperature (T_{meas} ; °C) and salinity (S_{meas}) values against nominal values (T_{nominal} and S_{nominal}), plus or minus the corresponding standard deviation, in each mesocosm during the experimental period. A weighted average was used for treatments 1–3 to account for the initial 5 d incremental increase. Triplicate mesocosms per condition are expressed as a, b, and c. Water mixture indicates the types of media supplied to each treatment, denoted with an “x”.

Treatment	Absolute mean difference		Water mixture			
	$(T_{\text{meas}} - T_{\text{nominal}})$	$(S_{\text{meas}} - S_{\text{nominal}})$	Cold	Ambient	Warm	Fresh
Control a	0.275 ± 0.39	–	x	x		
Control b	0.291 ± 0.36	–	x	x		
Control c	0.223 ± 0.36	–	x	x		
Treatment 1a	0.126 ± 0.31	0.116 ± 0.31		x	x	x
Treatment 1b	0.142 ± 0.29	0.148 ± 0.22		x	x	x
Treatment 1c	0.145 ± 0.33	0.171 ± 0.33		x	x	x
Treatment 2a	0.111 ± 0.29	0.357 ± 0.74		x	x	x
Treatment 2b	0.133 ± 0.29	0.149 ± 0.26		x	x	x
Treatment 2c	0.196 ± 0.38	0.128 ± 0.25		x	x	x
Treatment 3a	0.109 ± 0.27	–		x	x	
Treatment 3b	0.112 ± 0.27	–		x	x	
Treatment 3c	0.106 ± 0.28	–		x	x	

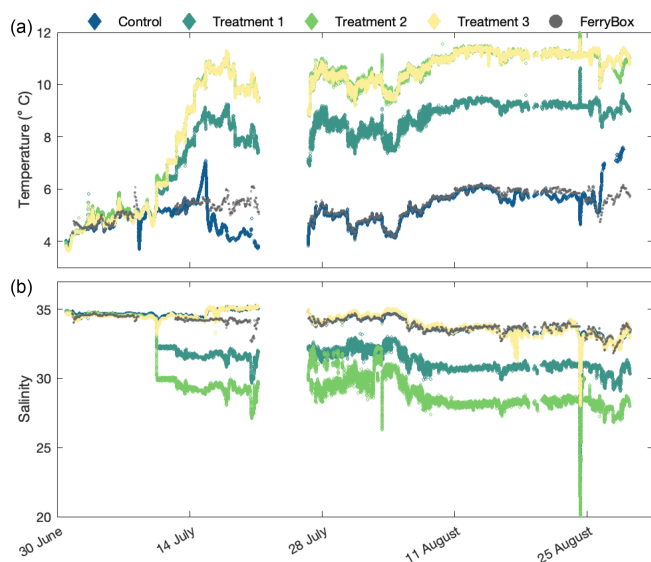


Figure 3. Mean (across triplicate mesocosms) temperature (°C; **a**) and salinity (**b**) values measured every minute over a 60 d period (including the 6 d period before the start of the experiment) for the control (blue) and for treatments 1–3 (dark green, light green, and yellow, respectively).

26 August 2021 (full data set available: Miller et al., 2023b). For the first 6 d of the SalTexPreS experiment, the treatment conditions were held at the control (i.e., no applied offset from the control) before the stepwise increase in temperature began. At 12:00 UTC on 10 July 2021, a temperature offset of 0.55 °C d^{-1} was programmed for treatment 1, whereas treat-

ment 2 and 3 were programmed to increase by 0.88 °C d^{-1} (Figs. 2, 3). The final nominal temperature above the control was reached at 21:00 UTC on 15 July 2021. The system needed 4 h to achieve the new temperature conditions (i.e., homogenize the mesocosm to a 0.88 °C increase). A manual override was applied to the salinity regulation for treatments 1 and 2, resulting in the system achieving the final salinity offset value upon the initial temperature increase (Figs. 3b, 4). This was done to ensure the maintenance of salinity regulation as the temperature offsets were applied relative to the control, which was receiving fjord water pumped from 90 m and was colder than the measured in situ conditions. It took the system 4 h to achieve the salinity offset for treatment 2, adjusting the value from ~ 34 to 29.8 (Figs. 3b, 4).

The precision of the temperature and salinity regulation across all treatment conditions was well maintained, as the mean difference between the measured value and the nominal value was $< 0.2 \text{ °C}$ and < 0.36 for salinity across the entire deployment (Table 2). The mean deviations observed across treatments did not appear to correlate with the degree of offset. Thus, treatment 3 showed the highest precision for temperature regulation, whereas salinity regulation was the most robust for treatment 2 compared with treatment 1 (Table 2). During several instances in which communication was interrupted between the FerryBox and the head PLC, SalTexPreS retained the last measured value at the FerryBox as a contingency protocol. This aided the system to maintain a high degree of regulation throughout the entire deployment. The largest deviation from the nominal value for all treatment conditions occurred during a single instance in which the last

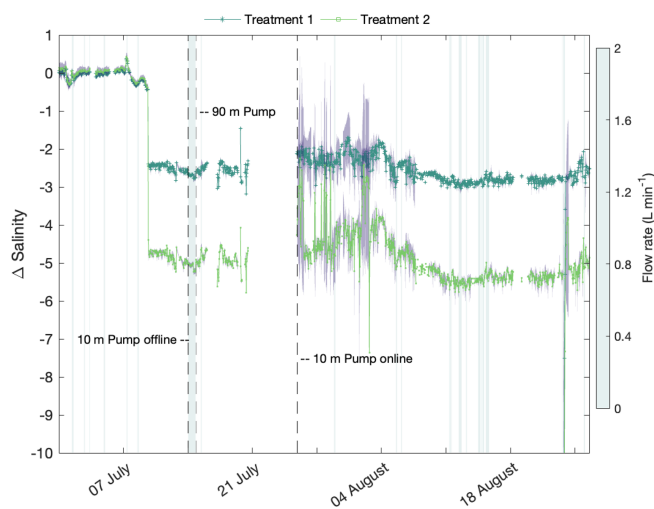


Figure 4. The hourly mean (across triplicate mesocosms) salinity offsets for the experimental period. Dark green is treatment 1 and light green is treatment 2. The purple shaded region around the mean is the standard deviation and the heatmap isoclines (blue shaded regions) are the instances in which flow rates $\leq 2 \text{ L min}^{-1}$. Dashed black lines indicate periods during which the pumps at 10 m depth and 90 m depth were used to feed the sub-header tanks.

read value from the FerryBox was not retained: this occurred at 04:47 UTC on 24 August 2021 (Fig. 4). Communication was quickly restored after this incident by cycling the program code, and the average deviation of temperature ($^{\circ}\text{C}$) and salinity for treatment 1 for the remainder of the deployment was < 0.16 , whereas this value was < 0.25 for treatment 2.

When adequate flow rates were maintained, SalTexPreS was able to simultaneously regulate 12 mesocosms under 4 different conditions to deviations in temperature and salinity that were $< 0.5^{\circ}\text{C}$ or 0.5 from the nominal value $\geq 80\%$ and $\geq 70\%$ of the time, respectively (Fig. 5). Due to an erroneous nominal value for the control during the 90 m pump usage, these times were excluded. If warm water could have been mixed with the ambient water feeding the control mesocosms, a proper nominal value could have been maintained. Over the full duration of the experiment, effective regulation from the nominal temperature and salinity values were kept to < 1 for all mesocosms 89% of the time for temperature ($^{\circ}\text{C}$) and 80% for the salinity (excluding the first replicate for treatment 2).

4 Discussion

The first application of the fully autonomous SalTexPreS demonstrated the capacity of the system to successfully manipulate temperature and salinity as an offset value from the control, thereby maintaining natural, in situ variability for four different conditions simultaneously. We utilized this deployment to test the effects of climate change drivers on Arc-

tic kelp communities, recognizing the feasibility of the system to perform ex situ experiments on organisms or whole communities (Miller et al., 2023a). The versatility of the system not only allows for the manipulation of temperature and salinity but also for the incorporation of other factors such as CO_2 or hypoxia. While this experiment used a control offset approach to produce treatment conditions, programmable parameterization of various treatment combinations can be applied depending on the question and design of the experiment. The automated component of the system reduced the logistical hurdles that can arise when performing high-precision replication and regulation of experimental conditions that track real-time system variability. While the use of such a system can reduce user oversight and limitations, there is still a need for diligent operation.

Since the initial experiment, we have implemented a number of changes to improve the performance of the system; these improvements have been realized during a second experiment in the summer of 2022 (Fig. 6). In the 2022 experiment, SalTexPreS was integrated to function with a deployable heat pump to simulate multiple scenarios of marine heat wave patterns over a nearly monthlong experiment. In this instance, temperature regulation was vastly improved as a result of the programmable modifications made since the initial experiment. During this second experiment, SalTexPreS mimicked three marine heat wave scenarios where dynamic temperature regulation kept deviations in the nine different mesocosms at $< 0.5^{\circ}\text{C}$ for 94% of the time. This was a $\sim 15\%$ improvement of temperature regulation time compared with the first experiment. During the first experiment, inconsistent flow rates and communication errors between the FerryBox and the head PLC were the primary causes of larger deviations (> 2.0 for salinity or temperature) from nominal values. For example, flow rates of $< 2 \text{ L min}^{-1}$ accounted for $\sim 20\%$ of the large deviations in temperature and salinity regulation. Simple software modifications, such as pop-up alert windows that warned when a lapse in communication with the FerryBox occurred (e.g., FerryBox stopped logging) as well as the addition of contingency coding instructions (i.e., fail-safe instructions) ensuring that the last received in situ data were maintained, solved most of the issues. Communication errors were easily remedied by cycling the power on a PLC, which is why pop-up alerts were an improvement to the operation. Other extraneous circumstances that could impact flow rates, such as pump failure and clogging of the seawater intake ports, are issues that need to be addressed whenever SalTexPreS is used; however, these are very manageable situations that can be easily mitigated by an operator.

The novelty of SalTexPreS lies in its ability to independently regulate experimental conditions in a single experimental chamber (e.g., mesocosm). The operational data produced from this deployment are reliable, easily quantifiable, and provide the highest degree of monitoring frequency for every applied experimental condition. This study has demon-

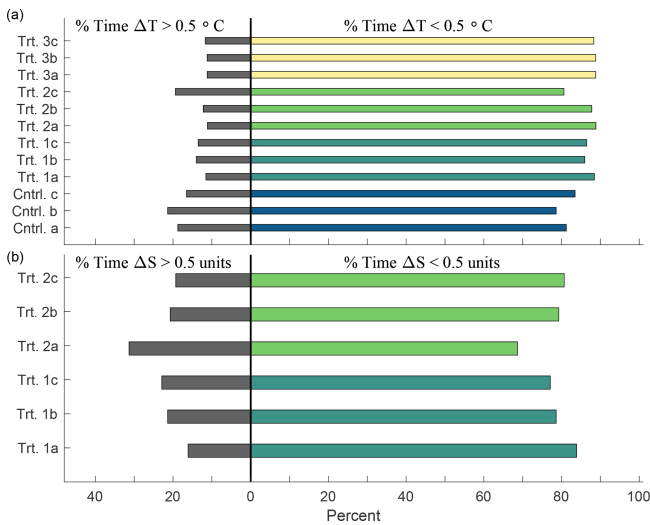


Figure 5. The percentage of time that each mesocosm experienced a deviation greater than (black bars) or less than (colored bars) $0.5 \text{ }^\circ\text{C}$ (ΔT ; a) or 0.5 in salinity (ΔS ; b) when flow rates were above 2 L min^{-1} . “Cntrl.” or “Trt.” are used to refer to the control or treatments, respectively. This excludes the period during which the 90 m pump (12 d) was used but accounts for 42 d out of the 54 d of the experiment. The bar color indicates different treatment groups, as shown on the y axes.

strated the system’s ability to replicate dynamic nearshore environments, in which temperature and salinity can vary at a high frequency (e.g., tidally). The system’s additional capacity to mimic future scenarios by applying an amplitude offset to the natural dynamics of in situ conditions is an added feature for conducting manipulative experiments. Wahl et al. (2015) described a system with a similar capability, but they regulated treatment conditions by monitoring the source water and adjusting that media before it was delivered to each experimental chamber. SalTEPreS differs in that it measures the conditions inside each experimental chamber (i.e., mesocosm) and regulates them independently based on per second measurements. This provides the flexibility to individually modulate each experimental chamber, thereby offering a broad range of versatility. The lack of infrastructure needed to set up SalTEPreS makes it easy to deploy and transport. As long as there is a sufficient supply of ambient water and manipulated media, there is little limit to the versatility of automated control for each mesocosm. Many research endeavors and future implementations of SalTEPreS have the potential to model a large range of experimental settings that pertain to the environmental perturbations associated with climate change or other anthropogenic forcings. The operation of such a system under extreme environmental conditions has shown the durability of the manifold to endure an adverse Arctic summer and still respond without mechanical failure. With proper operation and user proficiency, this

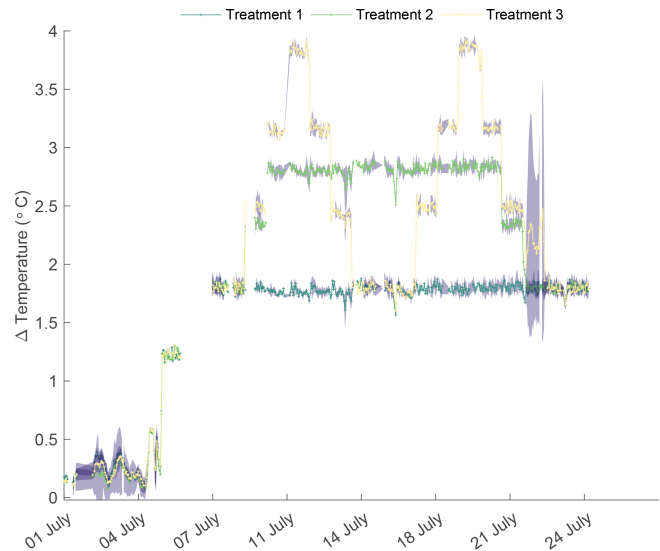


Figure 6. The hourly mean temperature offsets (Δ Temperature) during the second deployment of SalTEPreS in the summer of 2022 in Tromsø (Norway) during which a variation of heat wave scenarios were performed with experimental treatments 1–3. Treatment 1 is a constant high temperature ($+1.76 \text{ }^\circ\text{C}$), treatment 2 is a low-frequency (one heat wave) and medium-magnitude offset ($+2.81 \text{ }^\circ\text{C}$), and treatment 3 is a high-frequency (two heat waves) and high-magnitude offset ($+3.86 \text{ }^\circ\text{C}$). The purple shaded region around the mean is the standard deviation.

proves to be a highly sophisticated and powerful tool to be utilized for marine and aquatic perturbation experiments.

Appendix A

A1 Calculation of salinity offset

In the summer of 2020 (weeks 22 to 35), the mean temperature at 11 m displayed a range of $2.48\text{--}6.28 \text{ }^\circ\text{C}$, with salinity values ranging from 34.67 measured at the minimum $2.48 \text{ }^\circ\text{C}$ to 33.63 measured at $6.28 \text{ }^\circ\text{C}$ (Fig. A1a). The correlation was best fit with a second-order polynomial. To project the salinity offset at a future temperature based on this second-order polynomial fit, temperatures of $+3.3$ and $5.3 \text{ }^\circ\text{C}$ (SSP2-4.5 and SSP5-8.5, respectively) were added to in situ fjord temperatures and salinity was calculated based on the second-order polynomial. These estimated salinity values were then subtracted from the mean salinity values observed (y axis in Fig. A1a) in summer 2020 in order to calculate a delta salinity value for the SSP2-4.5 and SSP5-8.5 scenarios. The relationship between these estimated delta salinity values and the mean in situ temperature (x axis in Fig. A1a) displayed a robust linear relationship (Fig. A1b).

Table A1. Parts list with manufacturer model numbers.

Group	Item	Supplier/manufacturer	Model/details	Quantity
Hydraulic system				
	Mesocosms	Homemade	1000 L fiberglass	12
	Seawater pump	NPS, Bradford, UK	Albatros F13T	1
	Unplasticized polyvinyl chloride (PVC-U) tubing and fittings		20, 32, and 50 mm diameter	–
	Insulated flexible hose		19 mm diameter	100 m
Sensors				
	Conductivity–temperature	Aqualabo, Champigny-sur-Marne, France	PC4E	12
	Oxygen	Aqualabo, Champigny-sur-Marne, France	PODOC	12
	Pressure	Siemens, Munich, Germany	7MF1567-3BE00-1AA1	3
	Flow rate	IFM, Essen, Germany	SV3150	12
Actuators				
	Pressure regulation valves	BELIMO, Hinwil, Switzerland	R2025-10-S2 with an LR24A-SR motor	3
	Temperature regulation valves	BELIMO, Hinwil, Switzerland	R3015-10-S2 with an LR24A-SR motor	12
	Salinity regulation valves	BELIMO, Hinwil, Switzerland	R2015-10-S2 with an LR24A-SR motor	6
Automation cabinet				
	Cabinet	Fibox, Espoo, Finland	FIB8120017N	1
	Security switch	Kraus & Naimer, Karlsruhe, Germany	KNA002245	1
	12 V DC power supply	TDK-Lambda, New York, USA	LAMDRL30-12-1	1
	24 V DC power supply	TDK-Lambda, New York, USA	LAMDRB240-24-1	1
	PLC	Industrial Shields, Barcelona, Spain	MDuino.42+	4
	Ethernet switch	Hirschmann Automation and Control, Neckartenzlingen, Germany	HIR942132002	1

A2 Temperature and salinity regulation

Accurate temperature and salinity regulation was managed using the software PID (proportional integral derivative) controller on the corresponding PLC. The PLC operated in PoE (power over ethernet) mode, which builds a local area network (LAN) and enables the use of ethernet data cables to carry electrical power. The PID controller measures the difference between the measured value and the nominal value (i.e., the error). This calculates the position and adjustment of the valve opening by multiplying the error, the integral of this error, and the derivative of the error over time by the previously determined coefficients K_p (proportional gain), K_i (integral gain), and K_d (derivative gain), respectively. These coefficients were obtained experimentally using the empiri-

cal method of Ziegler and Nichols (1943). These coefficient values may differ from one condition to another.

A2.1 Pressure and flow regulation

Each sub-header tank inlet line of ambient, chilled, and warmed seawater had its own pressure regulation system, enabling equivalent pressure levels to be maintained. This regulation process aided the system's ability to adjust flow rates for all mesocosms using the hand-crank valves (Fig. 1). The system consisted of an analog pressure sensor (Siemens 7MF1567-3BE00-1AA1) and a two-way analog valve (BELIMO R2025-10-S2 with an LR24A-SR motor). The pressure sensors were placed inline directly after water from each sub-header tank passed through a regulator valve. The sensor ensured that the pressure for each line was maintained

Table A2. Functions used for the programming of software.

Function	Operation	Ancillary field sender ID	Ancillary field command no.
RTC.read	The PLCs are equipped with a real-time clock (RTC) chip and battery to keep track of the date. Once set on commissioning, RTC.read returns the current date and time. This function loops through each sensor connected on the RS485 bus. Each mesocosm has two sensors (O ₂ and conductivity–salinity), so each PLC has six sensors connected on its bus.		
readMBSensors	O ₂ sensors have addresses ranging from 10 to 12 for mesocosms 0 to 2 of the scenario, respectively. PC4E sensors have addresses ranging from 30 to 32 for mesocosms 0 to 2 of the scenario, respectively. Sensors are requested individually and in sequence. A request is made every 200 ms.		
websocket.loop	This is a callback function responsible for dealing with the WebSocket communication. The head PLC is the WebSocket server. It listens to branched PLCs' requests and to the monitoring PC requests. Requests are JSON formatted. They always contain ancillary fields: senderID (ID of the entity sending the request), condID (ID of the requested entity), and command (command type of the request). They can also optionally contain a "time" field: Unix-like timestamp (number of seconds since 1 January 1970).	Head PLC (ID = 0) Branched PLCs (ID = 1–3) Monitoring PC (ID = 4)	Request params: set points, PID settings (no. = 0); Request data: measurement values, regulation outputs (no. = 1); Send Params: response to a "Request params" request (no. = 2); Send data: response to a "Request data" request (no. = 3); Calibrate sensor: request to calibrate sensor to a specified value (no. = 4); Request head data: specific data measured by head PLC (pressure and flow rates) (no. = 5); Send head data: a response to a "Request head data" request (no. = 6)
regulation.Temperature	This function is responsible for the temperature regulation of the mesocosm. It sets the corresponding three-way valve position using a 0–10 V analog signal. The function first checks if the regulation is in "Manual override" mode. If so, it applies the override set point. If not, it reads the temperature measure in the mesocosm, compares it with the set point, and uses the PID settings to set the valve position.		
checkMesocosms	This functions loops through every mesocosm every 200 ms and reads analog signals (i.e., flow rates and pressure readings).		
regulation.Pression Only for HEAD PLC	This function is responsible for the pressure regulation of the mesocosm. It sets the corresponding three-way valve position using a 0–10 V analog signal. The function first checks if the regulation is in "Manual override" mode. If so, it applies the override set point. If not, it reads the pressure measure in the mesocosm, compares it with the set point, and uses the PID settings to set the valve position.		
printToSD Only for HEAD PLC	The head PLC is equipped with a microSD card on which data from all mesocosms are logged every 5 s in one CSV file per day. This is for security only, as the microSD card is not easy to remove from the PLC casing. It should not be removed before the end of the experiment.		
regulation.Salinite Only for branched PLCs	This function is responsible for the salinity regulation of the mesocosm. It sets the corresponding three-way valve position using a 0–10 V analog signal. The function first checks if the regulation is in "Manual override" mode. If so, it applies the override set point. If not, it reads the salinity measure in the mesocosm, compares it with the set point, and uses the PID settings to set the valve position.		

at 0.3 bar by transmitting data to the system which then regulated the valve-opening position of the incoming flow. A nominal pressure for all three sensors was predetermined during flow rate test trials. This process took place during the setup of the system and involved the valve opening being adjusted using a PID regulator (see Sect. A2) to maintain the defined nominal pressure.

A2.2 Automation

The automation was performed using four Industrial Arduino-based PLCs (MDuino.42+, Industrial Shields), with an individual PLC regulating the control and each treatment (1–3), respectively. Each PLC was responsible for logging data and regulating a specific experimental condition. The PLC regulating the control – identified as the head PLC – was the primary device responsible for communication with the branched PLCs and the monitoring computer (Fig. A2). All monitoring was performed on a PC Windows application (Sect. A3) that was responsible for the following: (1) reading data received from the PLCs, (2) reading in situ data received from the internet, (3) displaying live data, (4) logging data and sending it to a file transfer protocol (FTP) server, and (5) sending settings and commands to the PLCs. Communication between the PLCs and the PC was ensured using HTTP WebSocket protocol on RJ45 ethernet cables. The communication between the PLCs and the conductivity–temperature and oxygen sensors, flow rate sensors, and regulation valves was executed using a half-duplex RS485 (two wires) protocol, with an analog 4–20 mA and an analog 0–10 V signal, respectively. All PLCs and wired communication lines were housed in an electrical box installed in an IP68 Fibox enclosure with a 400 V (3P+N+E; three-phase, neutral, and earth/ground), 32 A security switch (Fig. A6). All of the automation elements use low tension (12 or 24 V DC) through circuit breakers and fuses. The electrical box was protected with a 220 V socket.

A3 Software development

The code for the application was written in C and C++. The code uses publicly available Arduino libraries (<https://www.arduino.cc/reference/en/libraries/>, last access: 14 March 2021) as well as originally designed libraries. All code is available on GitHub (<https://github.com/purrutti/FACEIT>, last access: 30 June 2021). The code is divided into two pathways: “Master.ino” for the head PLC and “Regul_condition.ino” for the branched PLCs. A description of the main functions applied in the code for programming the system regulation and features are listed in Table A3.

A4 Menu bar of the PC application

From the interface, the user sets the temperature condition and associated salinity offset, IP address and logging pa-

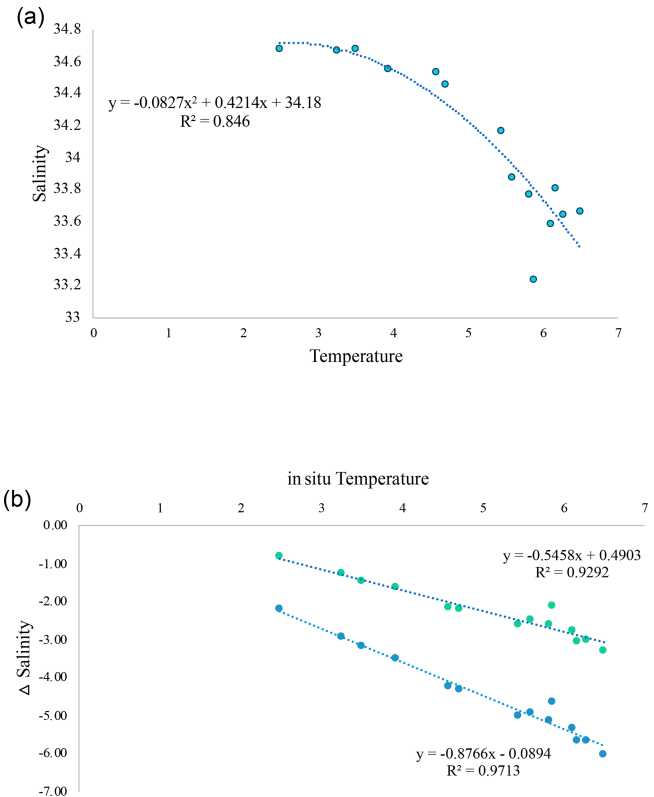


Figure A1. (a) Relationship between temperature and salinity in summer 2020 (weeks 22–35) in Ny-Ålesund, Svalbard. (b) Relationship between estimated delta salinity and in situ temperature, where delta salinity was calculated as the difference between the current mean salinity and the salinity estimated at the temperature increase projected for the SSP2-4.5 (green dots) and SSP5-8.5 (blue dots) scenarios.

rameters, sensor calibration settings, and nominal pressure (Fig. A4).

Within the menu bar, several tabs permit the setup of the project: File, Settings, Maintenance, and Data. Under “File”, the system can be manually connected to, or disconnected from, the PLCs. Connection is usually maintained automatically. The “Settings” tab displays the application and experimental setting options (Fig. A4a–c). All of the settings of the project are stored on the computer (found in “Application settings”) that is running the application, including the following:

- i. *head IP address* – the IP address of the head PLC (centralizing all the data);
- ii. *data query interval* – frequency of queries from the application to the head PLC;
- iii. *data log interval* – number of minutes between logs to file;
- iv. *database file path* – directory and base filename of the CSV data files;

- v. *FTP username, password, and path* – FTP settings for sending the data file every hour;
- vi. *InfluxDB settings* – for live monitoring and local storage of the data.

Under “Experimental settings”, the programmed specificities and regulation of the treatment conditions can be adjusted. This includes programming the nominal pressure (all main inflow lines), the temperature, and the salinity–temperature relational equation (on a different tab selected from a drop-down menu) as well as adjusting the K_p , K_i , and K_d coefficients for the regulation. The nominal temperature is provided by the data received from the FerryBox; however, this can be overridden if needed. The “Save to PLC” button sends the values to the corresponding PLC and saves the data, while the “Load from PLC” button loads the settings from the PLC. For the purposes of this experiment, the nominal salinity was calculated based on a delta salinity for treatments 1 and 2 that was derived from the linear relationship with temperature. This can also be overridden, if needed, by selecting the manual override box.

The “Maintenance” tab is where sensor calibration and communication “Debug” operations can be executed (Fig. A4d, e). Calibration can be performed for each sensor deployed in each mesocosm, and it uses a two-point calibration for temperature and oxygen percentage. The salinity calibration is done by setting the conductivity value corresponding to a temperature of 25 °C, rather than the in situ measured temperature. The conductivity value is programmed as $\mu\text{S cm}^{-1}$. The communication process for sensor calibration is between 5 and 10 s. The final option in the menu is the “Data” tab which displays the historical and live data. The historical data can be interfaced to a HTML site if desired.

Automation Hardware Architecture

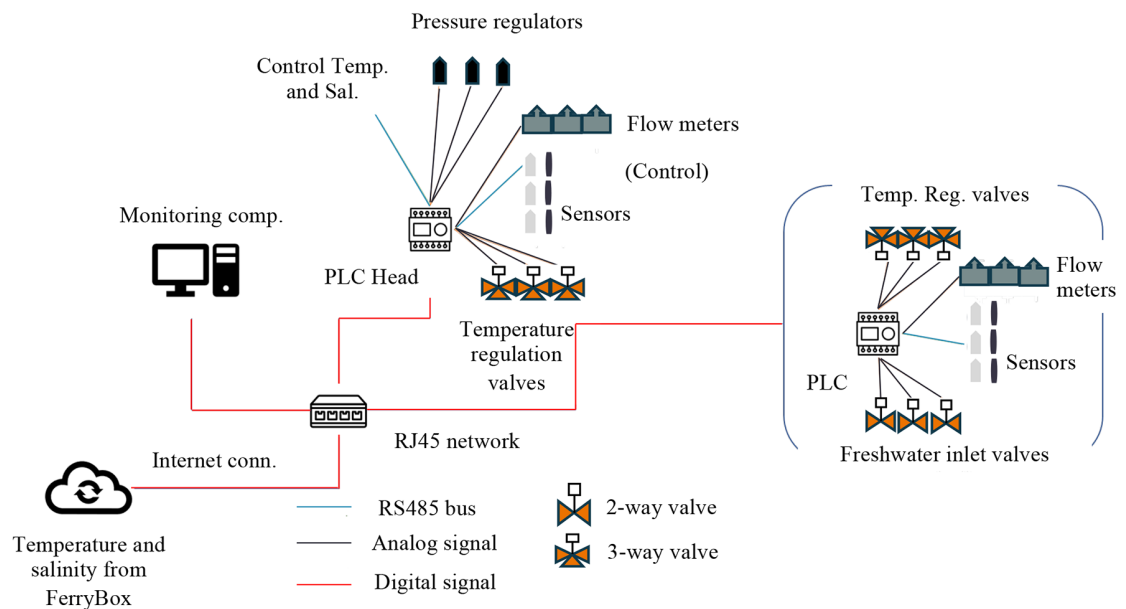


Figure A2. Diagram and flowchart of the automation system.

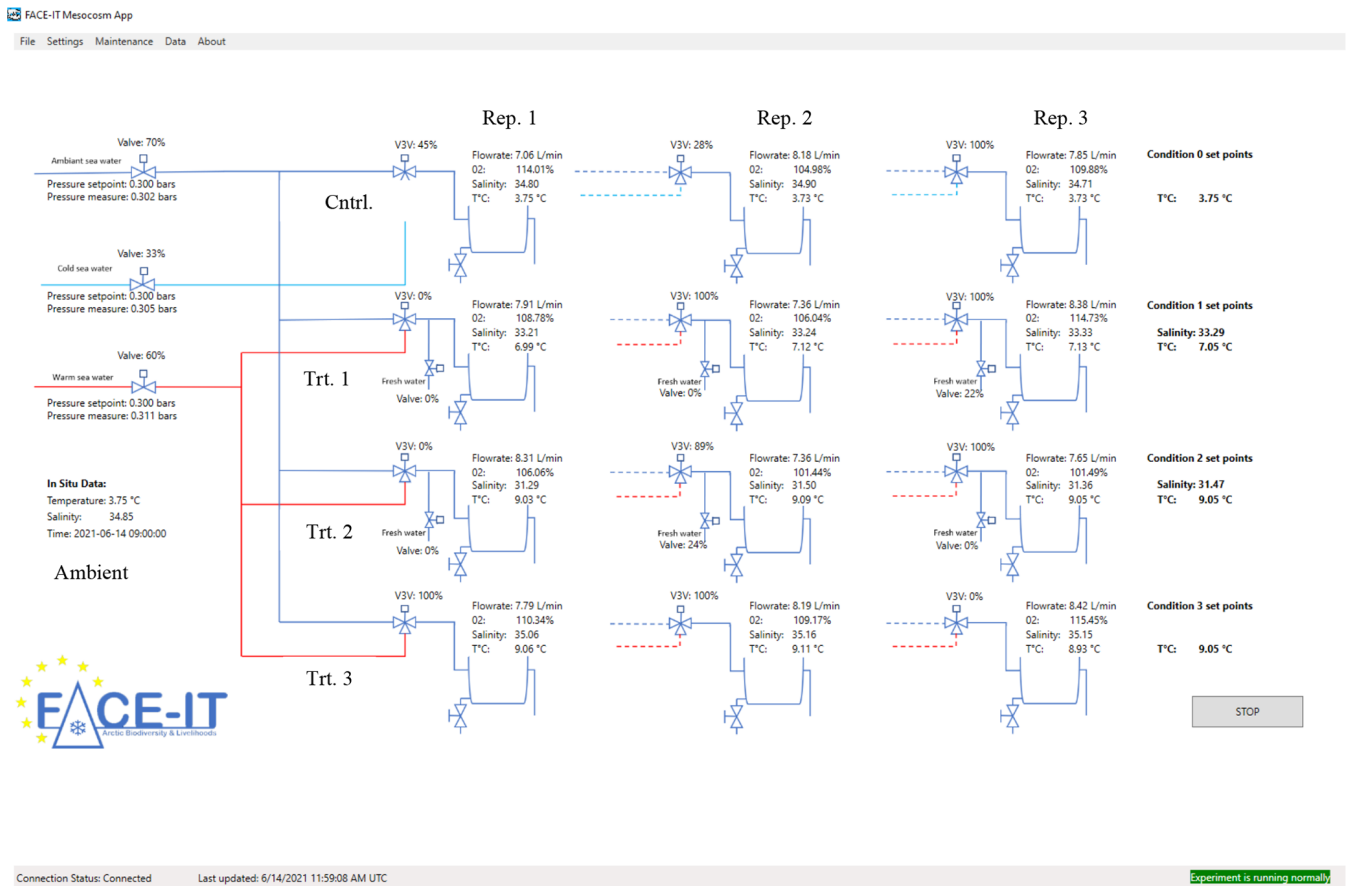


Figure A3. Application interface displaying real-time monitoring of ambient conditions as well as the control (Cntl.) and treatment (Trt.) conditions for each replicate (Rep.) in each mesocosm.

(a) Application Settings window showing fields for Master IP Address (172.14.253.10), Data Query Interval (1), Data Log Interval (5 minutes), Data Base Filepath (C:\Coon\CO2\FACET\NW_Mesoc_Exp), FTP (Username: cocoon2, Password: C0q2M4c@2021, FTP Directory path: ftp://lib.vtr.fr/FACET/CO2_Data_FACE-07), and InfluxDB (Website: http://localhost:8086/orgu/definet27a2u34771/daabowds0776311060602000?over=now%2B%2F%2D-%207d, Token: c2c7d3qeyw4f7adqg3q2kxv-QP5rouw259Qzmmrgpqr7fg4k11y2EEc-07Hw2M633evwkonM421vLdRly-u, Bucket: FACET, Org: CNRS). Buttons: Save, Cancel.

(b) Experiment Settings window showing Control Condition (dropdown), Pressure regulation (Pressure setpoint: 0.00, Kp: 0.00, Ki: 0.00, Kd: 0.00, Manual Override: 0%), and Temperature regulation (Temperature setpoint: 3.75, Kp: 0.00, Ki: 0.00, Kd: 0.00, Manual Override: 0%). Buttons: Load from PLC, Save to PLC, Cancel.

(c) Experiment Settings window showing Condition 1 (dropdown), Salinity regulation (delta Salinity = $-0.5458 \times \text{Ambient } T^{\circ}\text{C} + 0.4903$, Update, delta Salinity setpoint: -1.56, Salinity setpoint: 33.29, Kp: 10.00, Ki: 50.00, Kd: 0.00, Manual Override: 0%), and Temperature regulation (delta T°C setpoint: 3.30, Temperature setpoint: 7.05, Kp: 10.00, Ki: 100.00, Kd: 500.00, Manual Override: 0%). Buttons: Load from PLC, Save to PLC, Cancel.

(d) Calibration window showing CO2 (dropdown), MO (dropdown), Temperature (dropdown), Measurement: 3.72 °C, Calibration standard 1 (Set Offset: Ideally a value between 0°C and 5°C), Calibration standard 2 (Set Slope: Ideally a value between 20°C and 25°C), Factory reset, and a Communication Debug window showing Request sent: [{"command":1,"condID":0,"senderID":4}] and Response received: [{"command":3,"condID":0,"senderID":0,"time":1623682025,"data":{"MID":0,"temp":3.711153,"cond":52818.57,"sali":34.81795,"flow":7.139935,"saSPID_pc":53,"tempSPID_pc":100,"oxy_pc":113.5461},"MID":1,"temp":3.717137,"cond":52892.36,"sali":34.87269,"flow":7.988964,"saSPID_pc":15,"tempSPID_pc":100,"oxy_pc":104.1252},"MID":2,"temp":3.737186,"cond":52676.52,"sali":34.71262,"flow":7.626548,"saSPID_pc":82,"tempSPID_pc":100,"oxy_pc":109.3133},"regu5":{"cons":0.3},"regu11":{"cons":3.75}}].

Figure A4. Operation windows for the application and experimental settings (a–c), found under the “Settings” tab, and operation windows for sensor calibration and debugging (d, e), found under the “Maintenance” tab.

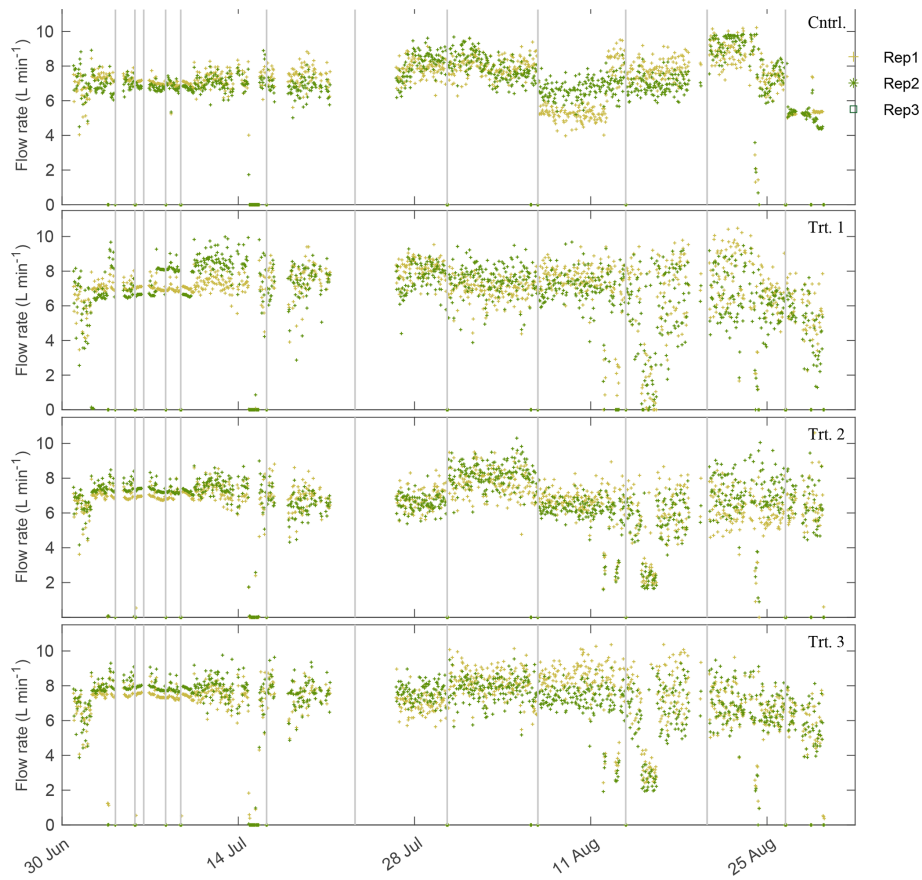


Figure A5. Flow rates for the control (Cntrl.) and treatment (Trt.; treatments 1–3) conditions for the entirety of the system deployment. Black vertical lines are when incubations were performed and the system shut off for a period of 3 h; flow rates went to zero at these times.

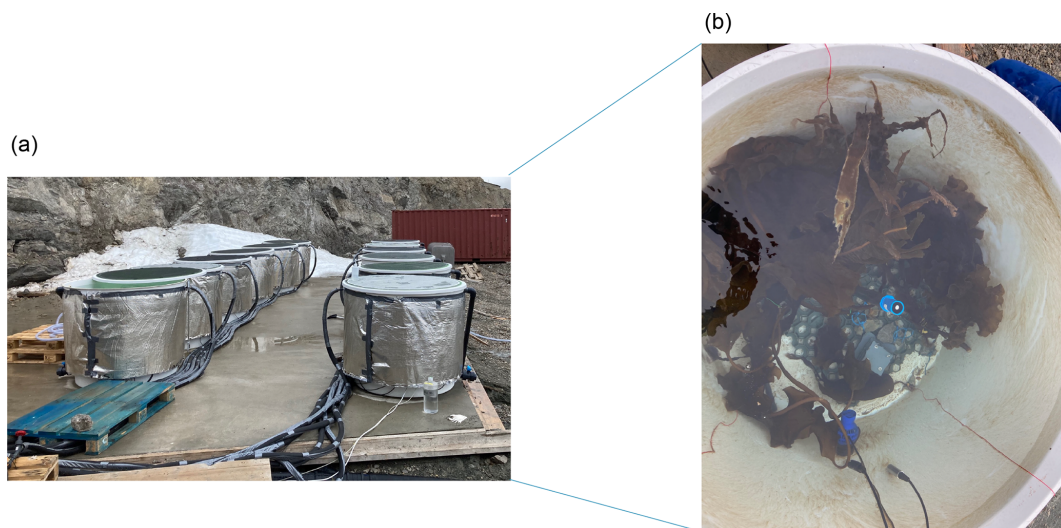


Figure A6. All 12 mesocosms are displayed in panel (a). The inside of one mesocosm is detailed in panel (b), showing the oxygen and temperature–conductivity sensors along with the photosynthetically active radiation (PAR) logger in the bottom right of the photograph.



Figure A7. The electrical cabinet used for SalTExPreS.

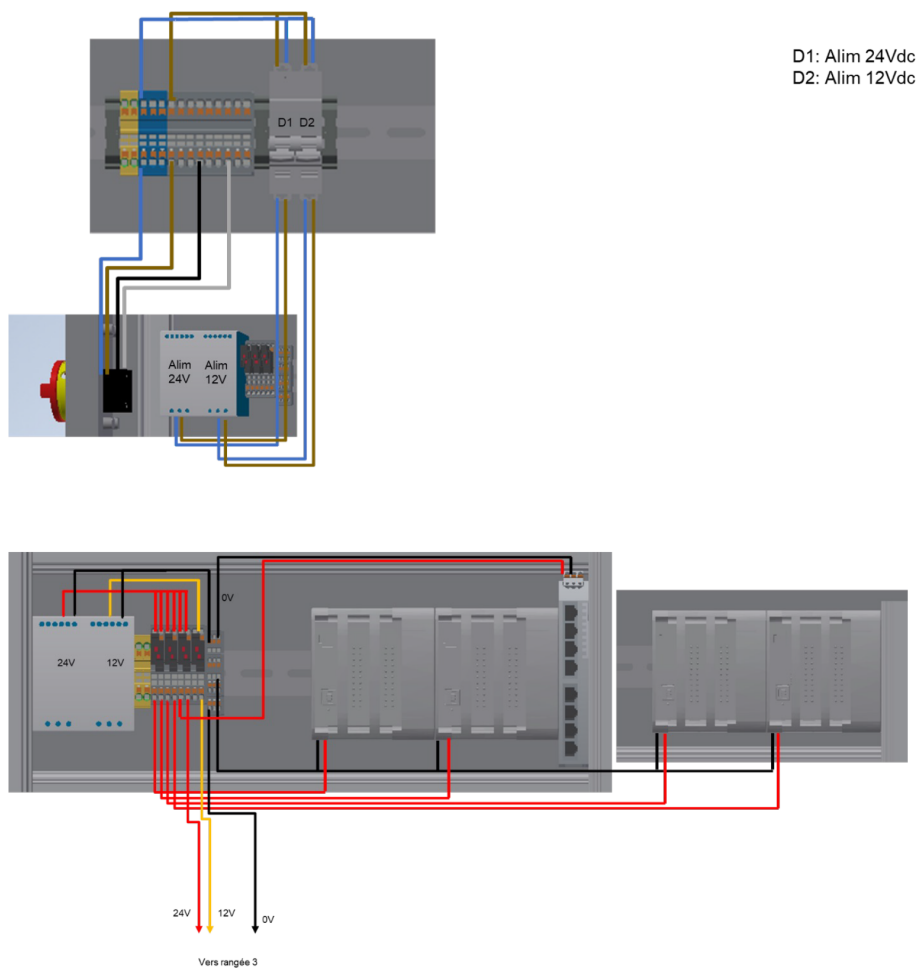


Figure A8. The electrical schematic for wiring within the electrical box.

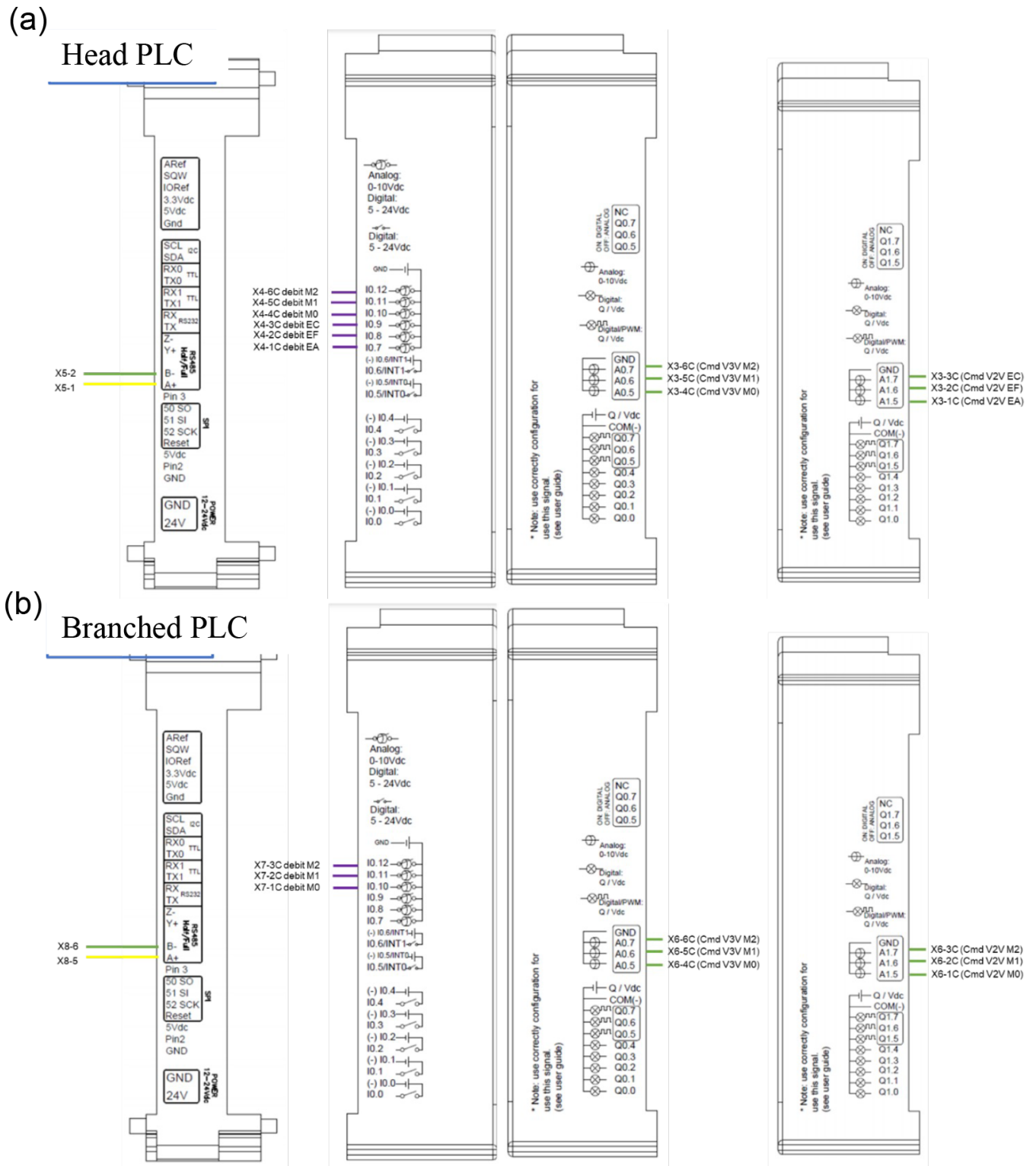


Figure A9. The PLC controller diagram for the head (a) and branched (b) operations.

Data availability. The dataset presented in this paper is available from Pangaea: <https://doi.org/10.1594/PANGAEA.961785> (Miller et al., 2023b).

Author contributions. CAM and FG conceptualized the framework of the paper, while FG, SC, and PU designed the experimental system. PU programmed the software. CAM wrote the manuscript, performed the data analysis, and constructed the figures and tables, while PU designed schematic figures. All authors participated in the operation of the system and have, thus, provided comments and editing during the writing process.

Competing interests. At least one of the (co-)authors is a member of the editorial board of *Biogeosciences*. The peer-review process was guided by an independent editor, and the authors also have no other competing interests to declare.

Disclaimer. Publisher's note: Copernicus Publications remains neutral with regard to jurisdictional claims made in the text, published maps, institutional affiliations, or any other geographical representation in this paper. While Copernicus Publications makes every effort to include appropriate place names, the final responsibility lies with the authors.

Acknowledgements. This study is part of The Future of Arctic Coastal Ecosystems – Identifying Transitions in Fjord Systems and Adjacent Coastal Areas (FACE-IT) project. The authors thank Jens Terhaar for helping with temperature projection data, Philipp Fischer for access to the AWIPEV data, and AWIPEV and Kings Bay Marine Laboratory staff for helping with logistical details, shipping, and access to the marine lab facilities.

Financial support. This study was conducted in the frame of The Future of Arctic Coastal Ecosystems – Identifying Transitions in Fjord Systems and Adjacent Coastal Areas (FACE-IT) project. FACE-IT has received funding from the European Union's Horizon 2020 Research and Innovation program (grant agreement no. 869154). Logistical and financial support was provided by IPEV, the French Polar Institute, and the Foundation Prince Albert II de Monaco (project no. 3051, <http://fpa2.org>, last access: 12 June 2022).

Review statement. This paper was edited by Perran Cook and reviewed by two anonymous referees.

References

Bass, A., Wernberg, T., Thomsen, M., and Smale, D.: Another Decade of Marine Climate Change Experiments: Trends, Progress and Knowledge Gaps, *Front. Mar. Sci.*, 8, ISSN: 2296-7745, 2021.

- Bhatia, M. P., Kujawinski, E. B., Das, S. B., Breier, C. F., Henderson, P. B., and Charette, M. A.: Greenland meltwater as a significant and potentially bioavailable source of iron to the ocean, *Nat. Geosci.*, 6, 274–278, <https://doi.org/10.1038/ngeo1746>, 2013.
- Bindoff, N. L., Cheung, W. W. L., Kairo, J. G., Arístegui, J., Guinder, V. A., Hallberg, R., Hilmi, N., Jiao, N., Karim, M. S., Levin, L., O'Donoghue, S., Purca Cuicapusa, S. R., Rinkevich, B., Suga, T., Tagliabue, A., and Williamson, P.: Changing Ocean, Marine Ecosystems, and Dependent Communities, in: IPCC Special Report on the Ocean and Cryosphere in a Changing Climate, edited by: Pörtner, H.-O., Roberts, D. C., Masson-Delmotte, V., Zhai, P., Tignor, M., Poloczanska, E., Mintenbeck, K., Alegria, A., Nicolai, M., Okem, A., Petzold, J., Rama, B., and Weyer, N. M., Cambridge University Press, Cambridge, UK and New York, NY, USA, 447–587, <https://doi.org/10.1017/9781009157964.007>, 2019.
- Blois, J. L., Williams, J. W., Fitzpatrick, M. C., Jackson, S. T., and Ferrier, S.: Space can substitute for time in predicting climate-change effects on biodiversity, *P. Natl. Acad. Sci. USA*, 110, 9374–9379, <https://doi.org/10.1073/pnas.1220228110>, 2013.
- Divya, D. T. and Krishnan, K. P.: Recent variability in the Atlantic water intrusion and water masses in Kongsfjorden, an Arctic fjord, *Polar Sci.*, 11, 30–41, <https://doi.org/10.1016/j.polar.2016.11.004>, 2017.
- Evans, W., Mathis, J. T., Ramsay, J., and Hetrick, J.: On the frontline: Tracking ocean acidification in an Alaskan shellfish hatchery, *PLOS ONE*, 10, e0130384, <https://doi.org/10.1371/journal.pone.0130384>, 2015.
- Fairchild, W. and Hales, B.: High-Resolution Carbonate System Dynamics of Netarts Bay, OR From 2014 to 2019, *Front. Mar. Sci.*, 7, ISSN: 2296-7745, 2021.
- Gattuso, J.-P., Alliouane, S., and Fischer, P.: High-frequency, year-round time series of the carbonate chemistry in a high-Arctic fjord (Svalbard), *Earth Syst. Sci. Data*, 15, 2809–2825, <https://doi.org/10.5194/essd-15-2809-2023>, 2023.
- Hales, B., Suhrbier, A., Waldbusser, G. G., Feely, R. A., and Newton, J. A.: The Carbonate Chemistry of the “Fattening Line”, Willapa Bay, 2011–2014, *Estuar. Coast.*, 40, 173–186, <https://doi.org/10.1007/s12237-016-0136-7>, 2016.
- Kroeker, K. J., Kordas, R. L., and Harley, C. D. G.: Embracing interactions in ocean acidification research: confronting multiple stressor scenarios and context dependence, *Biol. Lett.*, 13, 20160802, <https://doi.org/10.1098/rsbl.2016.0802>, 2017.
- Kroeker, K. J., Bell, L. E., Donham, E. M., Hoshijima, U., Lummis, S., Toy, J. A., and Willis-Norton, E.: Ecological change in dynamic environments: Accounting for temporal environmental variability in studies of ocean change biology, *Glob. Change Biol.*, 26, 54–67, <https://doi.org/10.1111/gcb.14868>, 2020.
- Lebrun, A., Miller, C. A., Meynadier, M., Comeau, S., Urrutti, P., Alliouane, S., Schlegel, R., Gattuso, J.-P., and Gazeau, F.: Multifactorial effects of warming, low irradiance, and low salinity on Arctic kelps, *EGUsphere* [preprint], <https://doi.org/10.5194/egusphere-2023-1875>, 2023.
- Luckman, A., Benn, D. I., Cottier, F., Bevan, S., Nilsen, F., and Inall, M.: Calving rates at tidewater glaciers vary strongly with ocean temperature, *Nat. Commun.*, 6, 8566, <https://doi.org/10.1038/ncomms9566>, 2015.
- Meredith, M., Sommerkon, M., Cassotta, S., Derksen, C., Ekaykin, A., Hollowed, A., Kofinas, G., Mackintosh, A., Melbourne-

- Thomas, J., Muelbert, M. M. C., Ottersen, G., Ptitchard, H., and Schuur, E. A. G.: Chap. 3: Polar regions – Special Report on the Ocean and Cryosphere in a Changing Climate, IPCC, WMO, UNEP, ISBN: 9781009157971, 2019.
- Miller, C. A. and Kelley, A. L.: Seasonality and biological forcing modify the diel frequency of nearshore pH extremes in a subarctic Alaskan estuary, *Limnol. Oceanogr.*, 66, 1475–1491, <https://doi.org/10.1002/lno.11698>, 2021.
- Miller, C. A., Gazeau, F., Lebrun, A., Gattuso, J.-P., Alliouane, S., Urrutti, P., Schlegel, R., and Comeau, S.: Productivity of Mixed Kelp Communities in an Arctic Fjord Exhibit Tolerance to a Future Climate, *Social Science Network*, <https://doi.org/10.2139/ssrn.4563719>, 2023a.
- Miller, C. A., Urrutti, P., Gattuso, J.-P., Comeau, S., Lebrun, A., Alliouane, S., Schlegel, R., and Gazeau, F.: Measurements of An Autonomous Flow through Salinity and Temperature Perturbation Mesocosm System for a Multi-stressor Experiment, *PANGAEA* [data set], <https://doi.org/10.1594/PANGAEA.961785>, 2023b.
- Orr, J. A., Vinebrooke, R. D., Jackson, M. C., Kroeker, K. J., Kordas, R. L., Mantyka-Pringle, C., Van den Brink, P. J., De Laender, F., Stoks, R., Holmstrup, M., Matthaei, C. D., Monk, W. A., Penk, M. R., Leuzinger, S., Schäfer, R. B., and Piggott, J. J.: Towards a unified study of multiple stressors: divisions and common goals across research disciplines, *Proc. Roy. Soc. B*, 287, 20200421, <https://doi.org/10.1098/rspb.2020.0421>, 2020.
- Overland, J., Dunlea, E., Box, J. E., Corell, R., Forsius, M., Kattsov, V., Olsen, M. S., Pawlak, J., Reiersen, L.-O., and Wang, M.: The urgency of Arctic change, *Polar Sci.*, 21, 6–13, <https://doi.org/10.1016/j.polar.2018.11.008>, 2019.
- Pansch, C. and Hiebenthal, C.: A new mesocosm system to study the effects of environmental variability on marine species and communities, *Limnol. Oceanogr.-Method.*, 17, 145–162, <https://doi.org/10.1002/lom3.10306>, 2019.
- Poloczanska, E. S., Burrows, M. T., Brown, C. J., García Molinos, J., Halpern, B. S., Hoegh-Guldberg, O., Kappel, C. V., Moore, P. J., Richardson, A. J., Schoeman, D. S., and Sydeman, W. J.: Responses of Marine Organisms to Climate Change across Oceans, *Front. Mar. Sci.*, 3, ISSN: 2296-7745, 2016.
- Poppeschi, C., Charria, G., Goberville, E., Rimmelin-Maury, P., Barrier, N., Petton, S., Unterberger, M., Grossteffan, E., Repecaud, M., Quémener, L., Theetten, S., Le Roux, J.-F., and Tréguer, P.: Unraveling Salinity Extreme Events in Coastal Environments: A Winter Focus on the Bay of Brest, *Front. Mar. Sci.*, 8, ISSN: 2296-7745, 2021.
- Rastrick, S. S. P., Graham, H., Azetsu-Scott, K., Calosi, P., Chierici, M., Fransson, A., Hop, H., Hall-Spencer, J., Milazzo, M., Thor, P., and Kuttli, T.: Using natural analogues to investigate the effects of climate change and ocean acidification on Northern ecosystems, *ICES J. Mar. Sci.*, 75, 2299–2311, <https://doi.org/10.1093/icesjms/fsy128>, 2018.
- Sejr, M. K., Bruhn, A., Dalsgaard, T., Juul-Pedersen, T., Stedmon, C. A., Blicher, M., Meire, L., Mankoff, K. D., and Thyrring, J.: Glacial meltwater determines the balance between autotrophic and heterotrophic processes in a Greenland fjord, *P. Natl. Acad. Sci. USA*, 119, e2207024119, <https://doi.org/10.1073/pnas.2207024119>, 2022.
- Svendsen, H., Beszczynska-Møller, A., Hagen, J. O., Lefauconnier, B., Tverberg, V., Gerland, S., Børre Ørbæk, J., Bischof, K., Papucci, C., Zajaczkowski, M., Azzolini, R., Bruland, O., and Wiencke, C.: The physical environment of Kongsfjorden–Krossfjorden, an Arctic fjord system in Svalbard, *Polar Res.*, 21, 133–166, <https://doi.org/10.3402/polar.v21i1.6479>, 2002.
- Tverberg, V., Skogseth, R., Cottier, F., Sundfjord, A., Walczowski, W., Inall, M. E., Falck, E., Pavlova, O., and Nilsen, F.: The Kongsfjorden Transect: Seasonal and Inter-annual Variability in Hydrography, in: *The Ecosystem of Kongsfjorden, Svalbard*, edited by: Hop, H. and Wiencke, C., Springer International Publishing, Cham, 49–104, https://doi.org/10.1007/978-3-319-46425-1_3, 2019.
- Urrutti, P.: FACEIT, GitHub [code], <https://github.com/purrutti/FACEIT> (last access: 11 January 2024), 2021.
- Wahl, M., Buchholz, B., Winde, V., Golomb, D., Guy-Haim, T., Müller, J., Rilov, G., Scotti, M., and Böttcher, M. E.: A mesocosm concept for the simulation of near-natural shallow underwater climates: The Kiel Outdoor Benthocosms (KOB), *Limnol. Oceanogr.-Method.*, 13, 651–663, <https://doi.org/10.1002/lom3.10055>, 2015.
- Wake, B.: Experimenting with multistressors, *Nat. Clim. Chang.*, 9, 357–357, <https://doi.org/10.1038/s41558-019-0475-z>, 2019.
- Ziegler, J. G. and Nichols, N. B.: Optimum Settings for Automatic Controllers, *Trans. Am. Soc. Mech. Eng.*, 64, 759–765, <https://doi.org/10.1115/1.4019264>, 1943.