



**HAL**  
open science

# Flatness of the Three-Phase Grid Connected DC-AC Inverter with LCL Filter

Marouane Laaziz, Florentina Nicolau, Malek Ghanes, Nadia Machkour,  
Jean-Pierre Barbot, Robert Boisliveau

► **To cite this version:**

Marouane Laaziz, Florentina Nicolau, Malek Ghanes, Nadia Machkour, Jean-Pierre Barbot, et al.. Flatness of the Three-Phase Grid Connected DC-AC Inverter with LCL Filter. 2024. hal-04555697

**HAL Id: hal-04555697**

**<https://hal.science/hal-04555697>**

Preprint submitted on 23 Apr 2024

**HAL** is a multi-disciplinary open access archive for the deposit and dissemination of scientific research documents, whether they are published or not. The documents may come from teaching and research institutions in France or abroad, or from public or private research centers.

L'archive ouverte pluridisciplinaire **HAL**, est destinée au dépôt et à la diffusion de documents scientifiques de niveau recherche, publiés ou non, émanant des établissements d'enseignement et de recherche français ou étrangers, des laboratoires publics ou privés.

# Flatness of the Three-Phase Grid Connected DC-AC Inverter with LCL Filter\*

Marouane Laaziz<sup>1,2</sup>, Florentina Nicolau<sup>3</sup>, Malek Ghanes<sup>1</sup>, Nadia Machkour<sup>2</sup>, Jean-Pierre Barbot<sup>1,3</sup>, and Robert Boisliveau<sup>1</sup>

<sup>1</sup> LS2N UMR CNRS 6004, Ecole Centrale de Nantes, Nantes, France

<sup>2</sup> LCCPS, ENSAM, Hassan II University of Casablanca, Casablanca, Morocco

<sup>3</sup> Quartz EA 7393, ENSEA, Cergy-Pontoise, France

**Abstract.** The three-phase inverter, connected to the grid by an LCL filter, is vulnerable to multiple faults, therefore an active fault-tolerant control is required to preserve the electrical power conversion between renewable resources and the grid. In this work, we provide a flatness analysis of the inverter and its LCL filter, the goal being to determine whether the flatness-based control structure stays accurate under both healthy and faulty circumstances.

**Keywords:** DC-AC inverter · Grid · Flatness analysis · Fault control.

## 1 Introduction

The paper investigates the flatness of the three-phase grid connected inverter under healthy and faulty modes operation, in the framework of distributed power generation systems (DGPS). Numerous defects, such as excessive or low DC voltage compared to the healthy constant value, Mosfet faults, and grid-side faults can cause the grid-connected inverter to fail completely and shut down the DGPS [1, 11, 12, 14, 16]. In this paper, we consider only the fault related to the incorrect closure of the Mosfet [3], the goal being to preserve the electrical power conversion between the renewable sources and the grid. To achieve this, a fault detection technique associated with a real-time active fault tolerant control is proposed. The problems of fault detection, localization and estimation are not covered in this

---

\* This work is partially supported by Campus France via the PHC Maghreb 46003SM project and the first author is also financed by the Moroccan National Center for Scientific and Technical Research (CNRST) via the 30UH2C2021 grant.

paper. In this contribution, we model the faulty system in the  $abc$  frame, that does not consider the system balanced compared to the  $dq$  frame. Even if the homopolar component of the unbalanced system is included in the  $dq0$  frame, see [5, 19], this control does not localize the faults. The proposed active fault control is based on the differential flatness [9, 13] of the considered model, which allows all system states and controls to be parameterized as functions of the flat output and a finite number of its time-derivatives. There are various benefits of this control, such as a simple trajectory tracking [20] and the absence of zero dynamics [8]. Moreover, in the present study case, the structure of the flatness-based control is the same for both systems with or without faults compared to the other existing controls [4, 6, 7, 17, 18]. For example the PI controller has to adjust their gains during the occurred faults. From this last point of view, a general model that works for both healthy and faulty conditions of the three-phase grid connected inverter is proposed. The healthy and faulty models are both designed with respect to losses characterization and estimation. The difference between the models is only that the losses level is higher for the faulty model. Then it is demonstrated that a chosen flat output of the healthy model is also relevant for the faulty model.

The remaining paper is organised as follows: The flatness analysis of the considered system is given in Section 2. The simulation results are presented in Section 3. In Section 4, conclusions and perspectives are discussed.

The main notations used in this paper are given in Table 1.

**Table 1.** Paper nomenclature

Acronyms	Meaning	Acronyms	Meaning
$V_{dc}$	DC bus voltage (constant)	$R_{on}$	Conduction resistance of the Mosfet
$i_{dc}$	DC current	$\Delta v_{jl}, \Delta r_{jl}$	Losses related to the low Mosfet
$j$	phase index, $j \in \{a, b, c\}$	$\Delta v_{jh}, \Delta r_{jh}$	Losses related to the high Mosfet
$i_j$	Inverter output current	$L_1$	Inverter output inductance
$v_{fj}$	Capacitor voltage	$r_1$	Internal resistor of $L_1$
$i_{gj}$	Grid current	$L_2$	Grid side inductance
$v_{gj}$	Grid voltage	$r_2$	Internal resistor of $L_2$
$K_j$	Switch state	$C_f$	Filter Capacitor
$f_{sw}$	Switching frequency	$R_d$	Damping resistor
$f_g$	Grid frequency	$f_g$	Grid frequency
$\alpha_j$	Average control ( $\alpha_j \in (0, 1)$ )	$i_s, i_s'$	Homopolar currents
$P$	Active power of the system	$\varphi$	Flat output

## 2 Flatness of the three-phase grid connected inverter with LCL filter: faulty model

The considered model is a model that uses the losses to detect the fault, this model is presented in Fig. 1. The averaged equations of this model are presented in Section 2.1, which are suitable to analyze its flatness, see Section 2.2, (we work with the continuous-time averaged model instead of the switching model because the flatness theory for switching systems is more involved). The losses

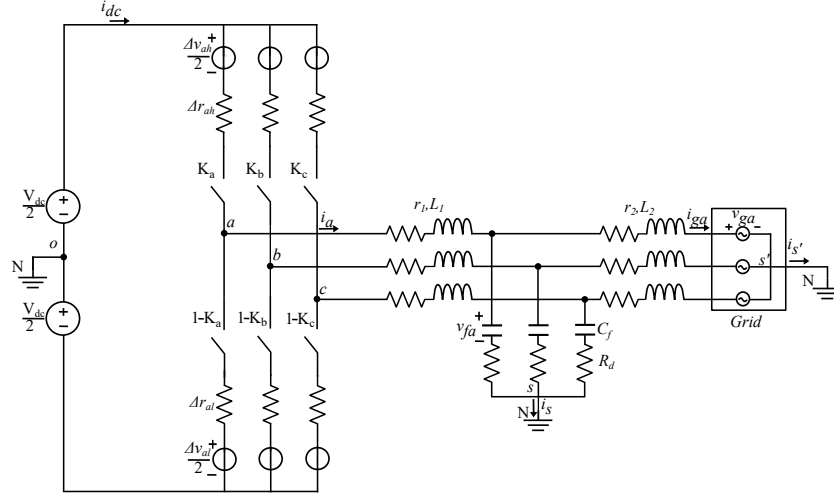


Fig. 1. Model of the three-phase grid connected inverter with LCL filter.

$\Delta v_{jh}, \Delta r_{jh}, \Delta v_{jl}, \Delta r_{jl}$ , are supposed known. The healthy model of Fig. 1 is obtained with the condition that  $\Delta v_{jh} = \Delta v_{jl}$  and  $\Delta r_{jh} = \Delta r_{jl}$ . The proposed model works for both healthy and faulty circumstances. As mentioned in the introduction, the fault considered in this paper is an inappropriately closed Mosfet. As an example, the ill component is supposed to be at the low Mosfet of the phase  $a$ . The fault is detected when the resistance  $\Delta r_{al}$  and the voltage drop  $\Delta v_{al}$  are high compared to the healthy levels.

## 2.1 The average model

The average model of phase  $a$  is described by:

$$\begin{bmatrix} \frac{d\bar{i}_a}{dt} \\ \frac{d\bar{i}_{ga}}{dt} \\ \frac{d\bar{v}_{fa}}{dt} \end{bmatrix} = \begin{bmatrix} -\frac{r_1+R_d+\Delta r_{al}}{L_1}\bar{i}_a + \frac{R_d}{L_1}\bar{i}_{ga} - \frac{1}{L_1}\bar{v}_{fa} \\ -\frac{V_{dc}-\Delta v_{al}}{2L_1} \\ \frac{R_d}{L_2}\bar{i}_a - \frac{r_2+R_d}{L_2}\bar{i}_{ga} + \frac{1}{L_2}\bar{v}_{fa} - \frac{1}{L_2}v_{ga} \\ \frac{1}{C_f}\bar{i}_a - \frac{1}{C_f}\bar{i}_{ga} \end{bmatrix} + \begin{bmatrix} \frac{1}{L_1} \left( -(\Delta r_{ah} - \Delta r_{al})\bar{i}_a \right) \\ -\frac{\Delta v_{ah}}{2} - \frac{\Delta v_{al}}{2} + V_{dc} \\ 0 \\ 0 \end{bmatrix} \alpha_a, \quad (1)$$

and is of the form

$$\dot{x}_a = f(x_a) + g(x_a)u_a, \quad (2)$$

with  $x_a = [\bar{i}_a, \bar{i}_{ga}, \bar{v}_{fa}]^T \in \mathbb{R}^3$  and  $u_a = \alpha_a \in (0, 1)$ . Model (1) is a non-linear control-affine system.

The average model of the three-phase grid connected inverter consists of three identical and decoupled subsystems of the form (1) (one subsystem for each phase). The focus is made on phase  $a$  and the results can be expanded to other phases.

From now on, by faulty model we understand model (1) for which  $\Delta v_{ah} \neq \Delta v_{al}$  and  $\Delta r_{ah} \neq \Delta r_{al}$  (the losses level is higher for the faulty model), while for the healthy model, we will always have  $\Delta v_{ah} = \Delta v_{al}$  and  $\Delta r_{ah} = \Delta r_{al}$ .

*Remark 1.* The approach that we employ in this work can also handle symmetrical faults (where both the high and low Mosfets are damaged). We only focus on asymmetrical faults because they are more probable to appear.

## 2.2 Flatness study of the average model

**Definition 1 (Flatness [9]).** *The system  $\Xi : \dot{x} = F(x, u)$ , where  $x \in \mathbb{R}^n$ ,  $u \in \mathbb{R}^m$  is flat, if there locally exist  $m$  smooth functions  $\varphi_k(x, u, \dots, u^{(l)})$ , for  $1 \leq k \leq m$ , such that locally*

$$x = \gamma(\varphi, \dots, \varphi^{(\beta-1)}) \text{ and } u = \psi(\varphi, \dots, \varphi^{(\beta)}),$$

for a certain integer  $\beta$ , where  $\varphi = (\varphi_1, \dots, \varphi_m)$  is called a flat output.

**Proposition 1.** *The following conditions hold:*

- (i) *The healthy system, given by (1), with  $\Delta v_{ah} = \Delta v_{al}$  and  $\Delta r_{ah} = \Delta r_{al}$ , is flat with  $\varphi = \bar{i}_{ga} - \frac{R_d C_f}{L_2} \bar{v}_{fa}$  being a flat output.*

(ii) The faulty system, given by (1) and for which we suppose that

$$-0.5\Delta v_{ah} - 0.5\Delta v_{al} + V_{dc} + (\Delta r_{al} - \Delta r_{ah})\bar{i}_a \neq 0, \quad (3)$$

is flat with  $\varphi = \bar{i}_{ga} - \frac{R_d C_f}{L_2} \bar{v}_{fa}$  being a flat output.

Notice that since (1) is a single-input control system, the flat output  $\varphi$  has only one component.

*Proof.* The proof of (i) follows the same line as that of condition (ii) that is given below.

Proof of (ii). Let us consider the faulty model given by (1). A necessary condition for  $\varphi$  to be a flat output of (1) is that the matrix  $G = [g, ad_f(g), ad_f^2(g)]$  is invertible, see [20], where  $ad_f g = [f, g]$  is the Lie Bracket [10] of the vector fields  $f$  and  $g$  describing the dynamics of (1) (recall that we rewrote system (1) into the compact form (2)), and  $ad_f^2(g) = [f, ad_f(g)]$ . By a straightforward computation it can be shown that the rank of the  $3 \times 3$  - matrix  $G$  is three if condition (3) is satisfied.

The function  $\varphi = \bar{i}_{ga} - \frac{R_d C_f}{L_2} \bar{v}_{fa}$  is a flat output if the following conditions are satisfied

$$\begin{cases} \mathcal{L}_g \varphi = 0 \\ \mathcal{L}_g \mathcal{L}_f \varphi = 0 \\ \mathcal{L}_g \mathcal{L}_f^2 \varphi \neq 0 \end{cases},$$

where  $\mathcal{L}_g \varphi$  is the Lie derivative  $\varphi$  along the vector field  $g$  [10], which can be easily verified by a direct calculation.  $\square$

**Assumption 1.** From now on, we assume that the fault  $\Delta r_{al}$  is always such that (3) is satisfied (that is, we avoid the flatness singularity).

Assumption 1 guarantees that  $\varphi$  is a flat output for both the healthy and faulty models. Thus the same flatness-based control in both healthy and unhealthy circumstances is applied according to Proposition 1 and Assumption 1. The expression of  $u_a$  as function of  $\varphi^{(3)}$  is:  $u_a = \frac{1}{\mathcal{L}_g \mathcal{L}_f^2 \varphi} (\varphi^{(3)} - \mathcal{L}_f^3 \varphi)$ .

The feedback  $v_a = \mathcal{L}_f^3 \varphi + \mathcal{L}_g \mathcal{L}_f^2 \varphi u_a$ , is applied to get  $\varphi^{(3)} = v_a$  and only then the following feedback controller [10] is used for tracking the flat output reference  $\varphi^*$ :

$$v_a = -K_1(\varphi - \varphi^*) - K_2(\dot{\varphi} - \dot{\varphi}^*) - K_3(\ddot{\varphi} - \ddot{\varphi}^*) + \varphi^{*(3)}, \quad (4)$$

where  $K_1, K_2, K_3$  are the gains of the feedback controller (they are chosen such that the feedback controller is stable).

*Remark 2.* Due to the fact that both the healthy and faulty models admit the same flat output  $\varphi$  (and will thus have the same reference trajectory  $\varphi^*$ ), the feedback controller (4) is unaffected by healthy or unhealthy conditions. On the other hand, observe that the control  $u_a$  is dependent on the fault value through the terms  $\mathcal{L}_f^3\varphi$  and  $\mathcal{L}_g\mathcal{L}_f^2\varphi$ .

### 3 Simulation Results

The Ode1 Euler solver is used in the Matlab/Simulink with a  $10^{-7}$  s discretization step. The simulation parameters are described in Table 2. LCL parameters are determined in accordance with IEEE 1547 [2] and [15].

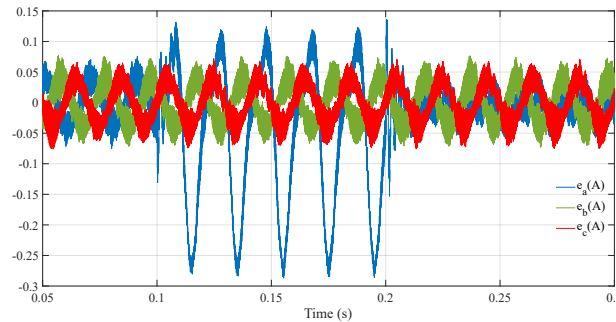
**Table 2.** Simulation parameters.

Parameter	Value	Parameter	Value
$V_{dc}$	350 V	$L_1$	10 mH
$P$	1.1 kW	$r_1, r_2$	1 $\Omega$ , 0.5 $\Omega$
$f_g$	50 Hz	$L_2$	1 mH
$f_{sw}$	10 kHz	$C_f$	4.5 $\mu F$
$v_{gj}$	68 V	$R_d$	1 $\Omega$

The simulation results are presented in Fig. 2. Remark that, at 0.1 s a fault is applied by changing the losses values of the low Mosfet of phase  $a$  to the following values:  $\Delta r_{al} = 5 \Omega$  and  $\Delta v_{al} = 4 V$ . As it can be seen in Fig. 2 (from 0.1 s to 0.2 s), before applying the flatness based active control, the error  $e_j = i_{gj}^* - i_{gj}$ , where  $i_{gj}^*$  is the grid current reference (with a maximum value of 6 A), indicates that the fault occurs at the phase  $a$ . At 0.2 s, where the flatness based active control is applied, the error  $e_a$  is reduced, which compensates the influence of the fault.

### 4 Conclusion and perspectives

The paper proposed a flatness-based approach for the three-phase grid connected inverter for which the faults are modeled as losses.



**Fig. 2.** The grid current errors  $e_j$ .

The main contribution is to propose a flat output that is the same for both healthy and faulty models. This result allowed to work with the same active fault control structure at both regimes.

The work perspectives involve coupling the losses and faults estimator with the flatness-based control including the stability analysis and making a comparison with other control methods.

## References

1. ZCS Azzurro, user manual 3PH 3.3KTL-V3/3PH 12KTL-V3 - Grid connected inverter
2. IEEE Standard for Interconnection and Interoperability of Distributed Energy Resources with Associated Electric Power Systems Interfaces. IEEE Std 1547-2018 pp. 1–138 (2018)
3. Celaya, J.R., Saxena, A., Wysocki, P., Saha, S., Goebel, K.: Towards Prognostics of Power MOSFETs: Accelerated Aging and Precursors of Failure. Annual Conference of the PHM Society (2010)
4. Dang, C., Tong, X., Song, W.: Sliding-mode control in dq-frame for a three-phase grid-connected inverter with LCL-filter. *Journal of the Franklin Institute* **357**, 10159–10174 (2020)
5. Djerioui, A., Houari, A., Saim, A., Ait-Ahmed, M., Pierfederici, S., Benkhoris, M.F., Machmoum, M., Ghanes, M.: Flatness-Based Grey Wolf Control for Load Voltage Unbalance Mitigation in Three-Phase Four-Leg Voltage Source Inverters. *IEEE Transactions on Industry Applications* **56**, 1869–1881 (2020)
6. Elnozahy, A., Yousef, A.M., Abo-Elyousr, F.K., Mohamed, M., Abdelwahab, S.A.M.: Performance improvement of hybrid renewable energy sources connected to the grid using artificial neural network and sliding mode control. *Journal of Power Electronics* **21**, 1166–1179 (2021)
7. Etienne, L., Acosta Lúa, C., Di Gennaro, S., Barbot, J.P.: A Super-twisting Controller for Active Control of Ground Vehicles with Lateral Tire-road Friction Estimation and CarSim Validation. *International Journal of Control, Automation and Systems* **18**, 1177–1189 (2020)



8. Fliess, M., Sira-Ramírez, H., Marquez, R.: Regulation of non-minimum phase outputs: a flatness based approach. In: *Perspectives in Control: Theory and Applications*, pp. 143–163. Springer, London (1998)
9. Fliess, M., Lévine, J., Martin, P., Rouchon, P.: Flatness and defect of non-linear systems: introductory theory and examples. *International Journal of Control* **61**, 1327–1361 (1995)
10. Isidori, A. (ed.): *Nonlinear Control Systems: An Introduction*, vol. 72. Springer-Verlag, Berlin/Heidelberg (1985)
11. Keller, J., Kroposki, B.: *Understanding Fault Characteristics of Inverter-Based Distributed Energy Resources*. Tech. rep., National Renewable Energy Lab. (NREL), Golden, CO (United States) (2010)
12. Khomfoi, S., Tolbert, L.M.: Fault Diagnostic System for a Multilevel Inverter Using a Neural Network. *IEEE Transactions on Power Electronics* **22**, 1062–1069 (2007)
13. Levine, J.: *Analysis and Control of Nonlinear Systems: A Flatness-based Approach*. Springer, Berlin, Heidelberg (2009)
14. Lu, B., Sharma, S.K.: A Literature Review of IGBT Fault Diagnostic and Protection Methods for Power Inverters. *IEEE Transactions on Industry Applications* **45**, 1770–1777 (2009)
15. Mahamat, C.: *Analyse et commandes des convertisseurs multi-niveaux pour un générateur photovoltaïque connecté au réseau électrique*. phdthesis, Université Paris Saclay (COmUE) (2018)
16. Plet, C.A., Graovac, M., Green, T.C., Iravani, R.: Fault response of grid-connected inverter dominated networks. In: *IEEE PES General Meeting*. pp. 1–8 (2010)
17. Sanchis, P., Ursaea, A., Gubia, E., Marroyo, L.: Boost DC-AC inverter: a new control strategy. *IEEE Transactions on Power Electronics* **20**(2), 343–353 (2005)
18. Selvaraj, J., Rahim, N.A.: Multilevel Inverter For Grid-Connected PV System Employing Digital PI Controller. *IEEE Transactions on Industrial Electronics* **56**, 149–158 (2009)
19. Shahin, A., Abulanwar, S., Ghanem, A., Rizk, M.E.M., Deng, F., Pierfederici, S., Ismael, I.: Sensorless Robust Flatness-Based Control With Nonlinear Observer for Non-Ideal Parallel DC-AC Inverters. *IEEE Access* **10**, 53940–53953 (2022)
20. Sira-Ramírez, H., Agrawal, S.K.: *Differentially Flat Systems*. CRC Press, Boca Raton (2018)