

Supplementary Materials

Table 1 – Agricultural waste composition

Solid intrants		Liquid intrants	
Cattle manure	20 t/day	Lactoserum	12 t/day
Poultry manure	20 t/day	Neutralization pastes	2.5 t/day
Cereal culture waste	3 t/day	Cattle slury	20 t/day
Corn silage waste	2 t/day	Cider lees and sludge	2 t/day
Apple pomace	1 t/day	Dairy industry flotation grease	1.5 t/day

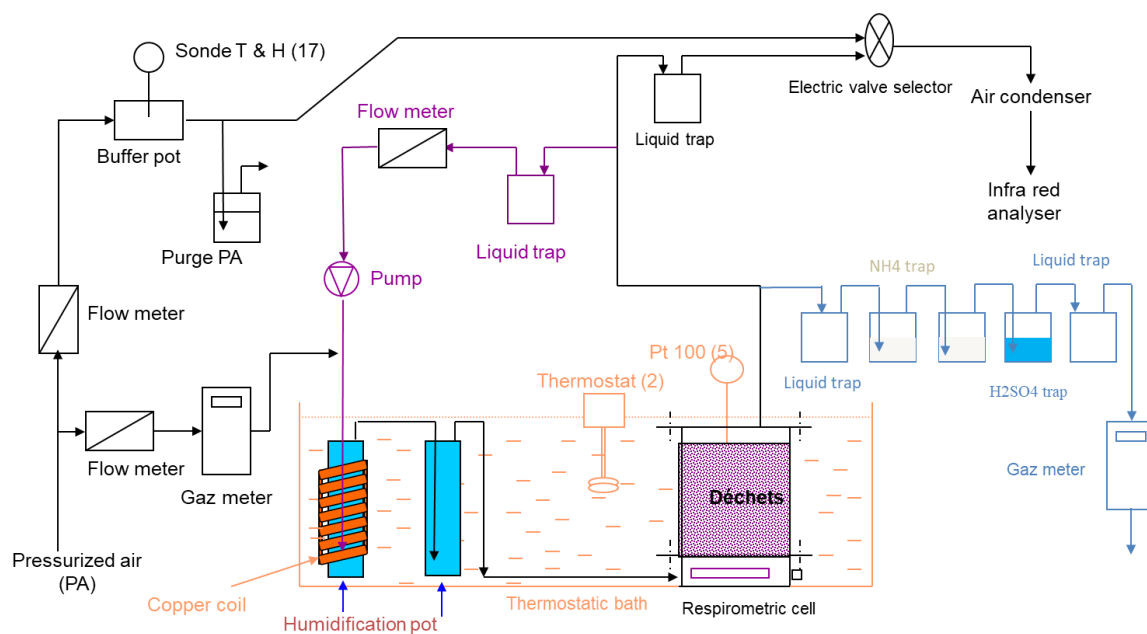


Fig. 1. Scheme of aerobic degradation pilot.

Table 2. Linear correlation results between Biochar N-NH₄⁺ sorption capacity and NH₃ loss reduction.

Coefficients:												
	Estimate	Std.	Error	t	value	Pr(> t)						
(Intercept)	25.4738	2.9989	8.494	0.00343	**	0.00343 **						
Sorption_BC	-2.7644	0.8218	-3.364	0.0436	*	0.0436*						

Signif.	codes:	0	****	0.001	***	0.01	**	0.05	.	0.1	'	1
Residual standard error:	5.138 on 3 degrees of freedom											
Multiple R-squared:	0.7905											
F-statistic:	11.32 on 1 and 3 DF					p-value:	0.0436					