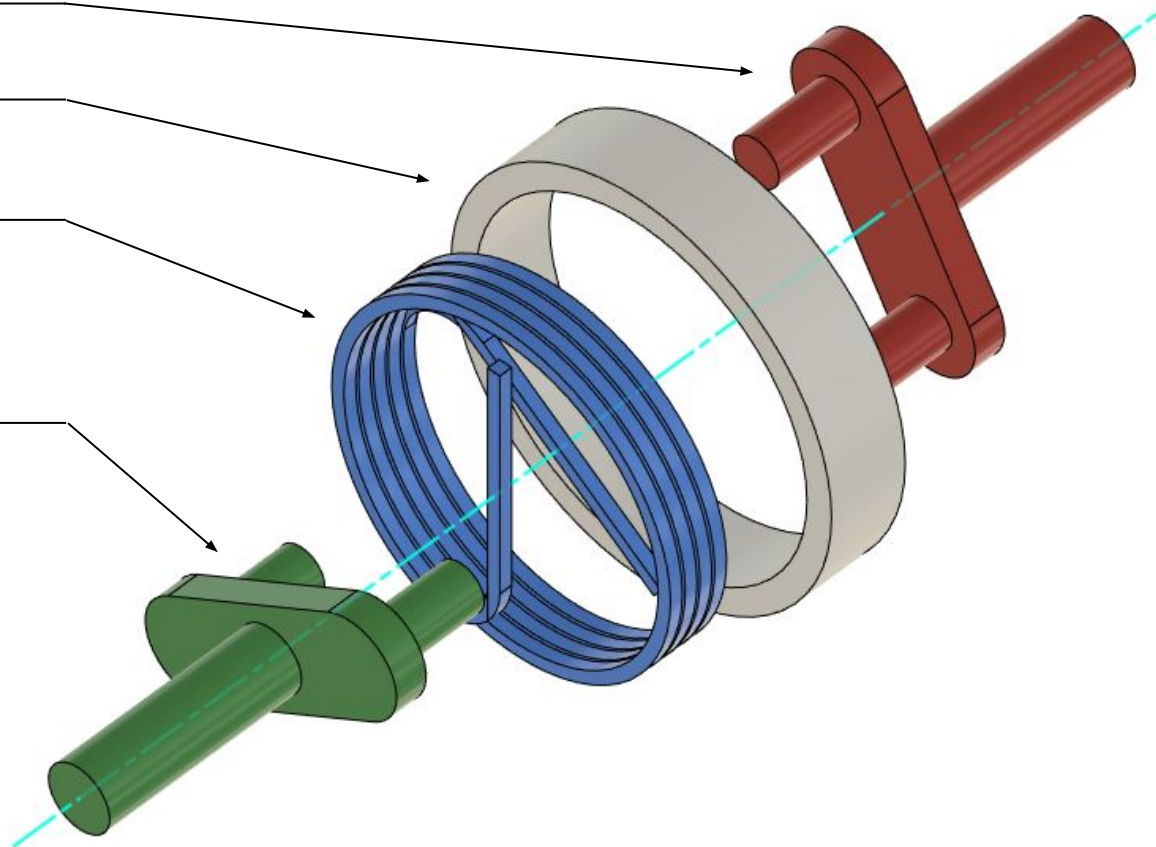


Output shaft

Ring

Wrap spring

Input shaft



Branch ①

Branch ②

