



**HAL**  
open science

## Emerging consensus on net energy paves the way for improved integrated assessment modeling

Louis Delannoy, Matthieu Auzanneau, Baptiste Andrieu, Olivier Vidal, Pierre-Yves Longaretti, Emmanuel Prados, David J Murphy, Roger W Bentley, Michael Carbajales-Dale, Marco Raugei, et al.

### ► To cite this version:

Louis Delannoy, Matthieu Auzanneau, Baptiste Andrieu, Olivier Vidal, Pierre-Yves Longaretti, et al.. Emerging consensus on net energy paves the way for improved integrated assessment modeling. Energy & Environmental Science, 2024, 17 (1), pp.11-26. 10.1039/D3EE00772C . hal-04328785

**HAL Id: hal-04328785**

**<https://hal.science/hal-04328785>**

Submitted on 7 Dec 2023

**HAL** is a multi-disciplinary open access archive for the deposit and dissemination of scientific research documents, whether they are published or not. The documents may come from teaching and research institutions in France or abroad, or from public or private research centers.

L'archive ouverte pluridisciplinaire **HAL**, est destinée au dépôt et à la diffusion de documents scientifiques de niveau recherche, publiés ou non, émanant des établissements d'enseignement et de recherche français ou étrangers, des laboratoires publics ou privés.



Distributed under a Creative Commons Attribution 4.0 International License

# Emerging consensus on net energy paves the way for improved integrated assessment modeling

L. Delannoy<sup>1</sup>, M. Auzanneau<sup>2</sup>, B. Andrieu<sup>2,3</sup>, O. Vidal<sup>3</sup>, P.-Y. Longaretti<sup>1,4</sup>, E. Prados<sup>1</sup>, D.J. Murphy<sup>5</sup>, R.W. Bentley<sup>7</sup>, M. Carbajales-Dale<sup>6</sup>, M. Raugei<sup>8,9</sup>, M. Höök<sup>10</sup>, V. Court<sup>11,12,13</sup>, C.W. King<sup>14</sup>, F. Fizaine<sup>15</sup>, P. Jacques<sup>16</sup>, M.K. Heun<sup>17</sup>, A. Jackson<sup>18</sup>, C. Guay-Boutet<sup>19</sup>, E. Aramendia<sup>20</sup>, J. Wang<sup>21,22</sup>, Hugo Le Boulzec<sup>23</sup>, and CAS Hall<sup>24</sup>

<sup>1</sup>Univ. Grenoble Alpes, CNRS, Inria, LJK, STEEP 38000 Grenoble, France

<sup>2</sup>The Shift Project, 16-18, rue de Budapest - 75009 Paris, France

<sup>3</sup>Univ. Grenoble Alpes, Univ. Savoie Mont Blanc, CNRS, IRD, Univ. Gustave Eiffel, ISTerre, 38000 Grenoble, France

<sup>4</sup>Univ. Grenoble Alpes, CNRS, INSU, IPAG, CS 40700, 38052 Grenoble, France

<sup>5</sup>Department of Environmental Studies, St. Lawrence University, 205 Memorial Hall, 23 Romoda Dr., Canton, NY 13617, United States

<sup>6</sup>Environmental Engineering & Earth Sciences, Clemson University, Clemson, SC 29634, USA.

<sup>7</sup>Petroleum Analysis Centre, Staball Hill, Ballydehob, West Cork, Ireland.

<sup>8</sup>School of Engineering, Computing and Mathematics, Oxford Brookes University, Wheatley, Oxford OX33 1HX, UK.

<sup>9</sup>Center for Life Cycle Assessment, Columbia University, New York, NY 10027, USA.

<sup>10</sup>Department of Earth Science, Uppsala University, Villavägen 16, SE-752 36, Uppsala, Sweden.

<sup>11</sup>IFP School, IFP Energies nouvelles, 1 & 4 avenue de Bois Préau, 92852, Reuil-Malmaison cedex, France.

<sup>12</sup>Chair Energy & Prosperity, Institut Louis Bachelier, 28 place de la Bourse, 75002, Paris, France.

<sup>13</sup>Laboratoire Interdisciplinaire des Energies de Demain, Université Paris Cité, 35 rue Hélène Brion, 75013, Paris, France

<sup>14</sup>Energy Institute, The University of Texas at Austin, Austin, TX, USA.

<sup>15</sup>Université de Savoie Mont Blanc, IREGE, Annecy-le-Vieux Cedex, France.

<sup>16</sup>IMMC - Institute of Mechanics, Materials and Civil Engineering, Université catholique de Louvain, 1348 Louvain-la-Neuve, Belgium.

<sup>17</sup>Engineering Department, Calvin University, 3201 Burton St. SE, Grand Rapids, MI, 49546, USA.

<sup>18</sup>University of Surrey, United Kingdom.

<sup>19</sup>Department of Natural Resource Sciences, McGill University, Montreal, Canada.

<sup>20</sup>Sustainability Research Institute, School of Earth and Environment, University of Leeds, Leeds, LS2 9JT, UK.

<sup>21</sup>School of Economics and Management, China University of Petroleum, Beijing, China.

<sup>22</sup>Research Center for China's Oil and Gas Industry Development, China University of Petroleum, Beijing, China.

<sup>23</sup>Univ. Grenoble Alpes, CNRS, INRAE, Grenoble INP, Grenoble Applied Economics Laboratory (GAEL), 38000 Grenoble, France.

<sup>24</sup>SUNY College of Environmental Science and Forestry, State University of New York, Syracuse, NY 13210, USA.

November 2023

*Suggested citation: Delannoy, L., Auzanneau, M., Andrieu, B., Vidal, O., Longaretti, P.-Y., Prados, E., Murphy, D. J., Bentley, R. W., Carbajales-Dale, M., Raugei, M., Höök, M., Court, V., King, C. W., Fizaine, F., Jacques, P., Heun, M. K., Jackson, A., Guay-Boutet, C., Aramendia, E., ... Hall, C. A. S. (2024). Emerging consensus on net energy paves the way for improved integrated assessment modeling. *Energy & Environmental Science. Royal Society of Chemistry (RSC)*. <https://doi.org/10.1039/d3ee00772c>*

## Abstract

Extracting, processing, and delivering energy requires energy itself, which reduces the net energy available to society and yields considerable socioeconomic implications. Yet, most mitigation pathways and transition models overlook net energy feedbacks, specifically related to the decline in the quality of fossil fuel deposits, as well as energy requirements of the energy transition. Here, we summarize our position across 8 key points that converge to form a prevailing understanding regarding EROI (Energy Return on Investment), identify areas of investigation for the Net Energy Analysis community, discuss the consequences of net energy in the context of the energy transition, and underline the issues of disregarding it. Particularly, we argue that reductions in net energy can hinder the transition if demand-side measures are not implemented and adopted to limit energy consumption. We also point out the risks posed for the energy transition in the Global South, which, while being the least responsible for climate change, may be amongst the most impacted by both the climate crisis and net energy contraction. Last, we present practical avenues to consider net energy in mitigation pathways and Integrated Assessment Models (IAMs), emphasizing the necessity of fostering collaborative efforts among our different research communities.

## Broader context

The transition from fossil fuels to low-carbon energy is made difficult by several factors. One of which is the energy investments required by the transition, often examined through the lens of the EROI (Energy Return on Investment) metric. Although the concept of EROI is simple, its application has proven to be challenging due to theoretical and practical difficulties. To address this situation, we summarize our position with 8 key points, which approximate an emerging consensus around EROI, and identify key areas under investigation for the Net Energy Analysis research community. Our summary uncovers how net energy is critical for the assessment of equitable and feasible transition scenarios, and yet how it remains marginally addressed in the current use of Integrated Assessment Models. We therefore suggest avenues for improvements to make sure that energy-economy feedbacks are internally consistent in mitigation pathways

## Introduction

On April 4 2022, IPCC Working Group III finalized its contribution to the Sixth Assessment Report. Reviewing progress and commitments for climate change mitigation, the report calls for more sustainable consumption habits and a shift away from fossil fuels towards low-carbon energy systems (IPCC, 2022). This transition nevertheless requires significant energy investments for the alternative low-carbon energy system, which can be examined through the lens of the Energy Return on (Energy) Invested or ERO(E)I metric (Hall, 2017; Haberl et al., 2019). Recent developments in the Net Energy Analysis (NEA) research community have highlighted EROI implications for socio-economic scenarios (King and van den Bergh, 2018; Capellán-Pérez et al., 2020; Delannoy et al., 2021a; Jacques et al., 2023; Slameršak et al., 2022), in particular regarding the practical challenges of the low-carbon transition. Yet, in part due to a lack of formal methodology prior to the 2010s (White and Kramer, 2019; Rana et al., 2020) and to a delay in the emergence of robust results, such studies have failed to influence transition scenarios. To remedy this situation, we provide an overview of the net energy approach, summarize the claimed emerging consensus around EROI, address how it relates to the low-carbon transition, and suggest ways to better integrate net energy in Integrated Assessment Models (IAMs).

## The Net Energy Analysis approach

Net energy, i.e. the energy supplied to society in the form of energy carriers after subtracting the energy invested for the production and distribution of those energy carriers, is a fundamental prerequisite to allow the production and exchange of goods and services. For a given amount of net energy, a key metric of the energy system is the EROI – defined as the ratio between the total

energy returned ( $E_{returned}$ ) and the total energy invested to accomplish the conversion ( $E_{invested}$ ) over the entire life cycle of the system under study, i.e.  $EROI = E_{returned}/E_{invested}$ .

As with all analyses that can be performed at the macro (economy-wide) and micro (technology-specific) scales, EROI can have slightly different interpretations (Brandt and Dale, 2011; King et al., 2015a,b). For example, at the scale of the global economy, the EROI has a minimum of 0 based on the first law of thermodynamics. When analyzing a single technology or energy subsystem that produces a final energy carrier, the EROI ratio can be less than one to one (1:1) (e.g., in Figure 1,  $E_{invested,2}$  is greater than  $E_{returned,2}$ ). Such systems can still be locally or temporarily useful when they have compelling properties, for example delivering a specific energy carrier that is in particular demand, e.g., the industrial food system, but they cannot be a main supplier of energy for society. Although the equations involved are simple, their application entails theoretical and practical difficulties that call for a rigorous definition of the system’s boundaries (Murphy and Hall, 2011; Raugei, 2019).

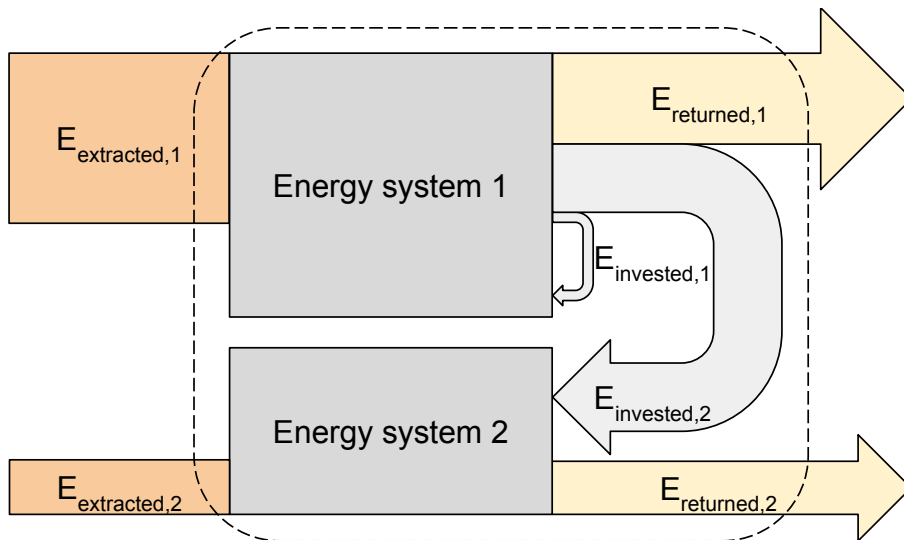


Figure 1: Returned energy as a function of the extracted and the invested energy for two systems.  $EROI (global) = (E_{returned,1} + E_{returned,2}) / (E_{invested,1} + E_{invested,2})$ .  $EROI (energy system 2) = (E_{returned,2}) / (E_{invested,2})$ . Energy losses are omitted for clarity.

The “standard” (or primary stage) EROI accounts for the energy used in the extraction process only. It is useful for studying the energy demand of a primary energy extraction sector or technology.

The point-of-use (or final stage) EROI includes the energy used in not only extracting, but also processing and delivering an energy carrier. Therefore, for a given energy carrier, the point-of-use EROI is substantially lower than the standard EROI since additional energy inputs are considered. Focusing on the point of use is gaining in importance, as: (i) the energy requirements of processing, refining and other downstream processes for fossil fuels may be larger than that for their extraction, and (ii) most renewable energy systems directly deliver final energy carriers, i.e., typically electricity, making the analysis at the final energy stage essential to compare renewable and fossil fuel energy systems like for like<sup>1</sup>.

The dynamic EROI of the full energy system corresponds to the energy delivered by a country’s (or the entire world’s) energy system divided by its energy consumption at a given time, and is in that respect a Power Return on Investment (PROI) as the calculation is performed for a delimited time interval (one year usually) (King et al., 2015a; Carbajales-Dale, 2019).

<sup>1</sup>Discussion is still on-going in the research community about some subtle methodological issues on exactly how EROI at point of use should be formulated, but these do not affect the main argument being made here, i.e., that in order to be meaningful, all such comparisons should in fact be made at point of use.

## Emerging consensus on net energy

As researchers in the field of NEA, we summarize our position with the following 8 key points, which approximate an emerging consensus around EROI:

1. The standard EROI of oil is usually lower than that of gas, which is lower than that of most coal (Court and Fizaine, 2017).
2. Conventional fossil fuels (crude oil, natural gas liquids, etc.) may have lower standard EROIs than tight gas and oil produced from fracking (Brandt et al., 2015b; Moeller and Murphy, 2016) but higher than other unconventional fuels (tar sands, mined shale oil, coal bed methane, etc.) (Brandt et al., 2015a; Delannoy et al., 2021a,b).
3. The standard EROI of new fossil energy resources is expected to improve initially as technology develops, before decreasing due to a decline in the quality of the extracted resource (Dale, 2011; Masnadi and Brandt, 2017). For instance, the standard EROI of oil sands-derived crude has been increasing since the first bitumen-producing mines became operational (Guay-Boutet, 2023). On the contrary, many major conventional oil fields have already seen marked decreases in their standard EROI due to the requirements for enhanced recovery (Tripathi and Brandt, 2017) and global resource depletion, as evidenced by the decline in the quantity of the remaining "2P" (proven and probable) reserves (The Shift Project, 2020; Laherrère et al., 2022).
4. The aggregate EROI of fossil fuels at the point of use declines over time, albeit at a slower pace than at the point of extraction, since the largest investment (at the denominator of the EROI ratio) is not the energy required for extraction (that increases over time as resource quality decreases) but the subsequent energy required for processing and delivery (which is generally not much affected by the quality of the resource over the long-term) (Brockway et al., 2019).
5. Today, the EROI of fossil-fueled electricity at point of end-use is often found to be lower than those of PV, wind and hydro electricity, even when the latter include the energy inputs for short-term (e.g., 8h) storage<sup>2</sup> technologies (Raugei et al., 2020; Murphy et al., 2022). Average EROI values however hide strong regional variability, particularly for solar and wind technologies (Dupont et al., 2018, 2020).
6. The EROI of nuclear and hydropower have historically been high, however, the former is constrained by slow deployment times, the latter is limited in terms of availability of suitable locations, and both face many environmental considerations.
7. The point of use EROI for thermal fuels is usually low, specifically for liquid fuels (gasoline, biodiesel, bioethanol, etc.) compared to solid (coal, woodchips, etc.) or gaseous fuels (Murphy et al., 2022).
8. A rapid large-scale deployment of renewable electricity and associated infrastructure will likely temporarily reduce the dynamic EROI (i.e., PROI) of the energy system as it requires a significant up-front energy investment embodied in infrastructure (Dale and Benson, 2013; Sgouridis et al., 2016; Capellán-Pérez et al., 2019; Jacques et al., 2023; Slameršak et al., 2022; Fabre, 2019).

In parallel to this emerging consensus, several areas are under investigation, such as the future EROI trends of wind and solar. On one hand, their EROI might be negatively affected by the increase in energy requirements per unit of valuable mineral extracted due to geological depletion (Fizaine and Court, 2015), whereby the quality of mineral deposits extracted (e.g., in terms of ore grade) decreases as a function of cumulative production. On the other hand,

---

<sup>2</sup>The inclusion of storage devices in the system boundary (rather than at the level of an individual power generation technology), however, is more relevant at the country, regional, or grid level, because each technology, if deployed in isolation, would require some storage capacity to successfully keep up with the pattern of electricity demand.

technological improvements may favorably affect the EROI of wind and solar PV (Steffen et al., 2018). The same is true for increasing the recycling capacity of renewable energy technologies, but the delay is significant because of the time required to build up a stock of materials suitable for recycling.

Another area under scrutiny is the extension of the analysis to the useful stage of energy use, i.e. at the stage when energy is actually exchanged for energy services (Aramendia et al., 2021) (see Figure 2) as some energy carriers may be used for similar end-uses with very different final-to-useful efficiencies (Aramendia, 2023). For example, electricity might fuel a car at a lower  $EROI_{point-of-use}$  than gasoline, but an electric vehicle motor has a considerably higher final-to-useful efficiency in converting its fuel input into mechanical drive when compared to a traditional internal combustion engine, such that an electric vehicle can have higher EROI at the useful stage.

Of particular interest is the use of net energy analysis at the useful stage for a comprehensive understanding of the rebound effect at different geographic and time scales. More precisely, this approach can help explain why global data shows energy use continuing to increase as individual technologies become more efficient, suggesting it is difficult to disprove that, to date, increased efficiency has enabled increased energy use. Models that attempt to quantify rebound show large rebound effects (typical economy-wide estimates are over 50%) (Brockway et al., 2021).

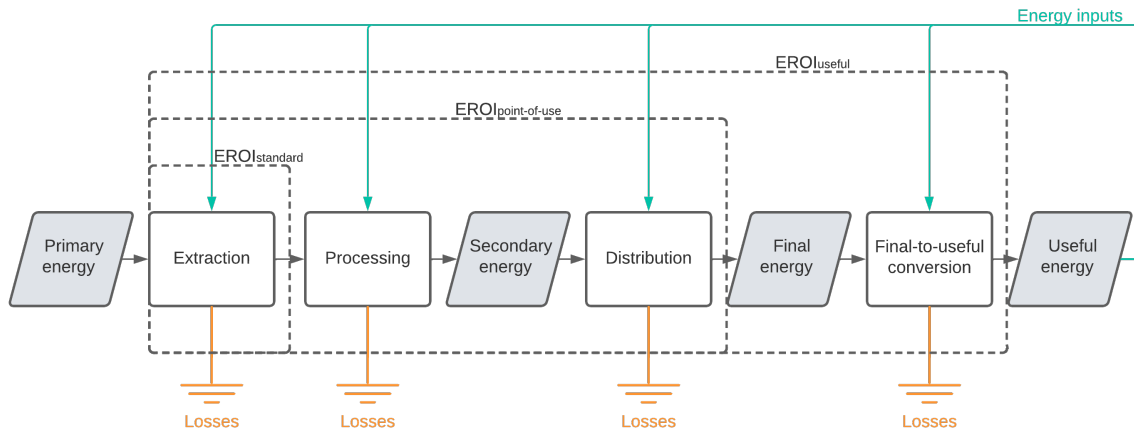


Figure 2: Standard, or primary stage EROI ( $EROI_{standard}$ ), point-of-use or final stage EROI ( $EROI_{point-of-use}$ ) and useful EROI ( $EROI_{useful}$ ).

## Implications for the low-carbon transition

The net energy approach provides an enhanced understanding of the role of energy in economic processes, and as such, the EROI concept is increasingly used to model the energy–economy nexus. This growing modeling effort highlights two main net energy aspects which have implications for the low-carbon transition. On the one hand, the decline in the standard EROI of oil and gas may entail a rise in emissions per unit of net energy supplied to society (Manfroni et al., 2021), and long-term energy price increases (King and Hall, 2011; Heun and de Wit, 2012), leading to periods of unfavorable growth or recession, especially for slow transition scenarios. On the other hand, the—perhaps only temporary—reduction in net energy available for society in rapid transition scenarios may result in a high investment share and employment rate in low-emissions technologies, which could altogether generate inflation (Režný and Bureš, 2019; Jackson and Jackson, 2021; Jacques et al., 2023), and thus raise questions of socio-political acceptance.

The pace of transition is bounded at the upper limit by the energy needed to sustain society without disruption (additional supply bottlenecks aside), and at the lower limit by the minimum speed required to meet climate targets (see Figure 3). Both limits are expected to move closer to each other as the transition is delayed, reducing the window of opportunity for a global transition compatible with ambitious climate targets. On one hand, the upper limit is likely to become more restrictive over time due to the geological depletion of fossil fuels, the fact that a more rapid low-

carbon investment consumes a higher proportion of energy, and that more high-carbon investment needs replacement or becomes stranded. On the other hand, the lower limit will become more pressing because, trivially, the longer the transition delays, the less likely it is to comply with ambitious climate targets. The implementation of demand-side policies (Creutzig et al., 2018) to reduce discretionary energy use, as highlighted by IPCC WG III (IPCC, 2022), is becoming increasingly relevant in this regard. Moving away from unnecessary uses and switching to more efficient conversion chains (e.g., from gasoline-powered to electric cars or bicycles) helps reduce discretionary energy use as long as rebound effects are mitigated. Further, recent research suggests that a decent life for all can be sustained at much lower levels of final energy use than at present within wealthy nations (Cullen et al., 2011; Millward-Hopkins et al., 2020; Kikstra et al., 2021).

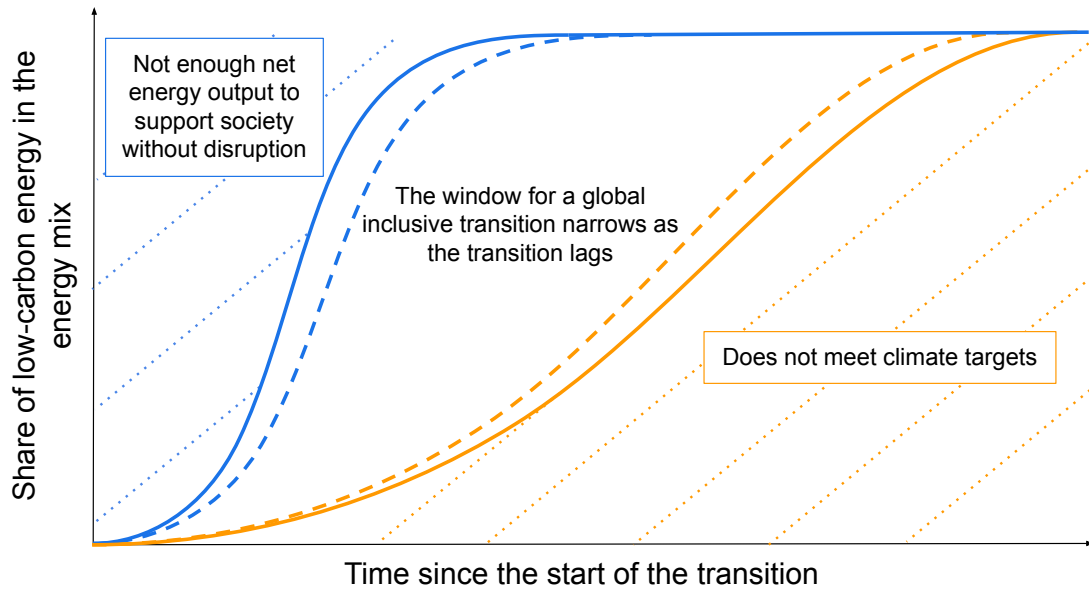


Figure 3: Sketch of principle of an evolving window of opportunity for the global inclusive transition to low-carbon energy as a function of normalized time at the start of the transition. The solid lines delineate the current window of opportunity. The dashed lines represent a future window in which action has not been taken quickly enough such that climate and net energy increasingly constrain the window of opportunity.

The energy transition has implications for equity. In particular, the upcoming reductions in net energy will necessarily amplify energy transition costs due to fossil fuel inflation and rapid low-carbon investment. Such reductions will in turn exacerbate competition for the energy and material resources necessary for the transition, a competition in which low-income countries are already at a clear disadvantage (Hall et al., 2008). Every Northern country that delays action thus risks compromising its ability to complete a transition and maintain or achieve high levels of material well-being, both for itself and other countries. This political situation raises inequity issues as countries from the Global North are likely to make their transition first. In this context, countries of the Global South are susceptible to lack access to energy, to the risk of getting slowed down – or even trapped – in their progress towards modern low-carbon energy, while being among the least responsible for and most affected by climate change (Oswald et al., 2020; Carley and Konisky, 2020; Hickel et al., 2022b,a; Hickel and Slamersak, 2022). Accelerating the energy transition for the Global South is therefore a major stumbling block to a “just” transition, and requires massive financial support and technology transfers (Cantarero, 2020; Newell et al., 2021; Poblete-Cazenave et al., 2021; Fanning and Hickel, 2023).

## Proper consideration of net energy is required in mitigation pathways

While significant progress has been made in research on mitigation pathways, net energy has been addressed only marginally. The latest IPCC report (IPCC, 2022), for instance, mentions EROI issues in one paragraph (ch. 6, p. 44) and leaves out the evolution of the related literature, in part because the 8 key points developed earlier have only recently emerged. This situation results in insufficient discussion on the consequences of a decrease in the EROI of the energy system. The overlooking of net energy is also apparent in Integrated Assessment Models (IAMs), the main tools used to produce global, regionally disaggregated mitigation pathways (van Beek et al., 2020a).

First, most IAMs merely characterize exhaustible fossil fuel resources through cost-supply curves, whose limitations in terms of modeling and parameterization lead to significant loss of robustness for mitigation pathways. On one hand, these curves operate under the assumption that the supply of fossil fuel resources depends purely on economic criteria, which means that production fluctuates with price, but in reality prices increase also because production does not increase fast enough. They furthermore assume that the most economically viable reserves will be exploited first, regardless of the complex interplay of other socio-geopolitical factors that shape the reality of producing companies (Heede and Oreskes, 2016), countries (Johnsson et al., 2018), and regions (Verbruggen and de Graaf, 2013; Norouzi et al., 2020). On the other hand, typical upward sloping cost-supply curves are subject to criticism for potentially outdated, simplistic and over-optimistic assumptions in the recoverability of fossil resources (Brecha, 2008; Kharecha and Hansen, 2008; Nel and Cooper, 2009; Höök et al., 2010; Verbruggen and Marchohi, 2010; Chiari and Zecca, 2011; Höök, 2011; Dale et al., 2012; Mercure and Salas, 2012; Berg and Boland, 2013; Höök and Tang, 2013; Murray and Hansen, 2013; Capellán-Pérez et al., 2014; Chapman, 2014; Mohr et al., 2015; Murray, 2016; Bauer et al., 2016; Capellán-Pérez et al., 2016; Ritchie and Dowlatabadi, 2017; Wang et al., 2017; Capellán-Pérez et al., 2020). For instance, the MESSAGE (IIASA, 2020) and IMACLIM-R (Waisman et al., 2012a) (partly) models continue to depend on the data provided by Rogner et al. Rogner (1997) for global fossil fuel reserves and resources, while the EPPA model (Chen et al., 2022) includes simple recursive endogenous resource supply functions. The use of cost-supply curves also impedes the analysis of the economic consequences of a plateau or decline in oil production (Bentley et al., 2020)—for example left out in the EMF27 (McCollum et al., 2013) and RoSE (Bauer et al., 2016; Cherp et al., 2016; De Cian et al., 2016; Kriegler et al., 2016) intercomparison exercises. The main problem of using technically simplistic and methodologically questionable cost-supply curves is not only overestimating the plausibility of high-emission scenarios, but also making fossil fuels more attractive than they would be if depletion feedback effects were properly considered. This point of view is supported by the evaluation of AR5 scenarios against consistent growth rates of emissions from the fossil fuels industry (Burgess et al., 2020; Pielke Jr et al., 2022), and the analysis of the GCAM-MAGICC integrated assessment model's sensitivity to revised cost-supply curves (Capellán-Pérez et al., 2016). It is also backed by the comparison of WoLiM (Capellán-Pérez et al., 2014, 2015) or MEDEAS (Capellán-Pérez et al., 2020) energy-constrained model results with scenarios from the literature, the incorporation of thorough oil production profiles in IMACLIM-R (Rozenberg et al., 2010; Waisman et al., 2012b), and the examination of various fossil resource availabilities in the RoSE exercise.

Another critical modeling assumption is the fact that the energy used by the industry for a given scenario is not calculated in relation to the demand for the raw materials necessary for the completion of that scenario. To be able to calculate the raw material requirements, IAMs would have to represent the stocks of all infrastructures, combined with data on lifetimes and material intensities. The potential inconsistency between the industrial energy calculated from elasticities in IAMs and the industrial energy that would be calculated using a stock and raw materials approach adds further uncertainty to the net energy requirements (Edelenbosch et al., 2017; Bataille et al., 2021).

Moreover, IAMs dismiss comprehensive energy-economic feedbacks. They indeed assume that decreasing (net) energy supply, or increasing energy costs, do not influence economic growth whatsoever, as in the IMAGE (Stehfest et al., 2014), GCAM (Calvin et al., 2019) or POLES (European Commission Joint Research Centre, 2018) models, or have minimal impact when the output is recursively calculated, for instance using nested constant elasticity of substitution (CES)



production functions found in models like EPPA, GTEM-C (Cai et al., 2015), REMIND, and WITCH (Bosetti et al., 2006). These functions have indeed faced criticism for their inability to accurately align with historically observed patterns in the dynamics of energy transition (Heun et al., 2017; Kaya et al., 2017). We find this lack of energy-economic feedbacks particularly troublesome as the decrease in the EROI of the energy system will influence the impact of make demand-side measures in mitigation scenarios. The lack is even more problematic since some authors have found that IAMs favor Bioenergy with Carbon Capture and Storage (BECCS) over the use of renewable energy, notably by underestimating the cost reduction potential of renewables and especially PV (Creutzig et al., 2017; Victoria et al., 2021; Grant et al., 2021; Wigley et al., 2021; Xiao et al., 2021; Way et al., 2022), while in fact bioenergy and CCS technologies result in a significant decline in net energy (Fajardy and Dowell, 2018; Sekera and Lichtenberger, 2020). The importance of the net energy-economy feedback becomes even more apparent when considering the substantial energy requirements associated with the deployment of Direct Air Carbon Capture and Storage (DACCS), which are estimated to consume up to 300 EJ/yr by 2100 in some scenarios (Realmonte et al., 2019).

A considerable exception to current IAMs is the MEDEAS model (Capellán-Pérez et al., 2020; Samsó et al., 2020; Solé et al., 2020)—now developed as the WILIAM model in the scope of the LOCOMOTION project—which appears to be the sole multi-scale<sup>3</sup> IAM that explores, from a heterodox perspective (Nieto et al., 2020), the implications that the energy required for the transition may have on the energy system and the economy (Hafner et al., 2020). Unlike other IAMs, MEDEAS includes an energy-economy feedback that allows energy availability to limit GDP growth in the event that it falls short of demand (Nieto et al., 2020). When compared with AR5 business-as-usual scenarios, the results obtained with MEDEAS show a larger primary energy intensity of GDP, as well as lower CO<sub>2</sub> intensity of primary energy, GDP per capita, and temperature change over pre-industrial levels (Capellán-Pérez et al., 2020). Such a modeling approach not only enables the characterization of the interaction between energy and the economy, such as the rebound effect (de Blas et al., 2020), in a more historically consistent way (de Blas et al., 2019), but also allows the user to assess the probability of GHG scenarios taken from other IAMs (Huard et al., 2022), as well as degrowth scenarios (de Blas et al., 2020; Nieto et al., 2020; Pulido-Sánchez et al., 2022).

The reasons why net energy is not comprehensively accounted for in IAMs are multiple and, in our view, fall primarily into three categories.

First, most IAMs lack proper representation of the energy and material flows of the goods and services provided (Pauliuk et al., 2017; Pedersen et al., 2022b; Desing et al., 2023; Aramendia, 2023), making them structurally unable to consider the industrial energy embodied in the infrastructures, and thus the energy-economy linkages brought to the fore by net energy analysis. Overlooking these flows may lead to an overestimation of the potential for reducing energy intensity (thus assuming possibly unrealistic decoupling rates between GHG and energy/material use), a greater focus on supply-side solutions for mitigating climate change (Scott et al., 2022), and underestimating the impact of rebound effects on energy demand (Brockway et al., 2021; Andrieu et al., 2022; de Blas et al., 2020; Semieniuk et al., 2021; Gambhir et al., 2017).

Second, most IAMs – either energy system models coupled with macroeconomic growth models or multi-sectorial Computable General Equilibrium (CGE) models – still utilize optimal growth theory from neoclassical economics. However, in these models, increases in energy costs cannot significantly affect GDP growth, either because GDP or technological change are assumed to be exogenous, or because the cost share of energy (as a percentage of GDP) is assumed to have negligible feedback on GDP. Thus, the current crop of IAMs not only downplays the contribution of energy and exergy in economic processes (Kümmel and Lindenberger, 2014; Santos et al., 2018; Spangenberg and Polotzek, 2019), but also sets aside its interaction with money and the financial sector, as these are both largely unmodeled in IAMs (Pollitt and Mercure, 2017; Espagne, 2018; Sanders et al., 2022; Giraud and Valcke, 2023). This omission further precludes any attempt to

<sup>2</sup>In this regard, it is worth noting that it has been estimated that, due to residual fossil emissions, 640–950 GtCO<sub>2</sub> carbon dioxide removal (CDR), i.e., BECCS, DACCS and afforestation, will be required for a likely chance of limiting end-of-century warming to 1.5°C, when strengthened pre-2030 mitigation action is combined with very stringent long-term policies (Luderer et al., 2018).

<sup>3</sup>The SFCIO-IAM (Sers, 2022) and WORLD7 (Sverdrup et al., 2021) are for instance only global models.

understand how high levels of debt, which can increase financial instability risks, can be associated with net energy constraints or high energy costs (e.g. the global financial crisis of 2007-2008) (Svartzman et al., 2019).

Third, the current climate change scenarios framework (illustrated by the Shared Socioeconomic Pathways, SSP (Riahi et al., 2017)) nurtures a simplistic and technocratic vision of the economy, that assumes little in the way of interdependence among population, economic growth, and other socio-economic parameters such as net-energy (Kuhnhenh, 2018; Buhaug and Vestby, 2019; Asefi-Najafabady et al., 2020; Purvis, 2021; Court and McIsaac, 2020; Pielke and Ritchie, 2021a,b). This lack of explicit interdependence hinders existing climate mitigation scenarios from adequately assessing societal transformations (Trutnevyte et al., 2019), (in)justice (Rao et al., 2019; Rivadeneira and Carton, 2022; Pachauri et al., 2022) including large-scale shifts in energy use between Global North and South (Hickel and Slamersak, 2022), and systemic risks (Rising et al., 2022). The roots of the aforementioned limitations can be found in a lack of reflexivity, imaginative flexibility, plurality, transparency and transdisciplinarity within the IAM community, as acknowledged by some of its own members (Doukas et al., 2018; Anderson and Jewell, 2019; Foster, 2020; Hirt et al., 2020; O’Neill et al., 2020; Raskin and Swart, 2020; Robertson, 2020; Skea et al., 2021; Sgouridis et al., 2022; Pedersen et al., 2022b; Koasidis et al., 2023), but also in the gradual erosion of IAMs’ neutrality (Ellenbeck and Lilliestam, 2019; van Beek et al., 2022) due to political influence, and the community’s interest in playing an increasingly normative role in climate governance and policy-making (Beck and Mahony, 2018; van Beek et al., 2020b; Beck and Oomen, 2021).

## Avenues of improvement to consider net energy in IAMs

Several initiatives are underway to better account for industrial energy, and represent the interactions between energy and the economy in macroeconomic models and/or IAMs (Keppo et al., 2021). Some IAMs, for instance, have adopted the use of more reliable data pertaining to fossil fuel energy resources, as exemplified by the incorporation of a comprehensive bottom-up dataset from Rystad Energy in E3ME-FTT-GENIE (Mercure et al., 2021; Semieniuk et al., 2022) or the construction of detailed field-level analysis supply curves in TIAM-UCL (Welsby et al., 2021). Dynamic constraints on extraction rates have also been introduced, as in REMIND (Baumstark et al., 2021) or TIAM-UCL (Pye et al., 2020b) models, as well as specific rules trying to mimic the behavior of swing producers, as in IMA CLIM-R or IMAGE, albeit in a very simplified way and mostly for the oil market (Faehn et al., 2020; Foure et al., 2020). In an attempt to bridge the gap with Industrial Ecology (IE), several IAMs (notably REMIND and MESSAGE) have explored the implications of incorporating life cycle assessment coefficients from input-output (I-O) tables such as THEMIS (Pehl et al., 2017; Arvesen et al., 2018; Luderer et al., 2019) or EXIOBASE (Budzinski et al., 2023), highlighting the potential for sustainability research areas such as the energy-industry nexus and post-growth scenarios (Lefèvre, 2023). Efforts are also underway for examining the contribution of improved Energy System Models (ESM) (Huang and Eckelman, 2020; Kullmann et al., 2021). Still, most IAMs operate within the neoclassical equilibrium framework, and thus do not properly capture the feedback from the energy system on the economy. For instance, Pehl et al. (2017) (Pehl et al., 2017) integrate a life-cycle assessment perspective in the REMIND model, and find that “fully considering life-cycle greenhouse gas emissions has only modest effects on the scale and structure of power production in cost-optimal mitigation scenarios”. However, the authors rely on a model that uses a CES production function, with limited feedback from the energy system (including its energy requirements) on the economy, and focus exclusively on the power sector.

In an attempt to remedy this situation, we highlight six avenues for improving IAMs:

1. the integration of Industrial Ecology methods (e.g. Material Flow Analysis) or modules such as DyMEMDS (Vidal et al., 2021; Le Boulzec et al., 2022; Boulzec et al., 2023), ODYMEREC (Pauliuk and Heeren, 2019; Pauliuk et al., 2020), or QTDIAN (Süsser et al., 2021), in order to better capture stocks and flows of energy and materials associated with the industrial subsector;
2. the adoption of a multi-sectoral energy framework, for instance relying on primary-final-useful (PFU) energy databases (Heun et al., 2020; Steenwyk et al., 2022; Pinto et al., 2023; Marshall et al., 2023) and consistent energy services narratives;

3. the use of an ecological macroeconomic framework (as in HARMONEY(King, 2020, 2021) or TranSim(Jackson and Jackson, 2021)) or ESM which deal with environmental and biophysical indicators(Sherwood et al., 2020) in a more comprehensive way, such as ENBIOS(Martin et al., 2022), EnergyScope (Limpens et al., 2019) or the one developed by Crownshaw (Crownshaw, 2023);
4. a common reporting template to include the energy consumption of the energy sector as well as useful energy in mitigation scenarios(Neumeyer and Goldston, 2016; Palmer, 2018; Slameršak et al., 2022);
5. an explicit modelling of energy-economy feedbacks (including rebound effects) using net energy, at least with the aim of understanding how a net energy feedback would affect IAMs results to assess to what extent energy and economic feedbacks are internally (in)consistent across mitigation pathways(Palmer, 2018);
6. the exploration of new mitigation pathways achieving high wellbeing levels with low resource use(Wilson et al., 2023), limiting the deployment of energy intensive carbon dioxide removal(van Vuuren et al., 2018; Pye et al., 2020a; Diesendorf, 2022; Hollnaicher, 2022; Sers, 2022), and equitable low-growth(Burgess et al., 2023) and post-growth scenarios(Floyd et al., 2020; Otero et al., 2020; Keyßer and Lenzen, 2021; Warszawski et al., 2021; Hickel et al., 2021; Kikstra et al., 2023; Li et al., 2023; Moyer, 2023).

However, if these measures are to be properly implemented, they must be carried out simultaneously and without neoclassical economics theories(Brand-Correa et al., 2022; Stern et al., 2022), which we see as incompatible. This point particularly addresses the IAM community’s appeal that “further studies should at least aim at better reflecting the plurality of the visions of the economy”(Keppo et al., 2021) and take advantage of the robust development of heterodox economics(Proctor, 2023), especially ecological macroeconomics(Cattan and McIsaac, 2021; Althouse, 2022).

As countries seek to develop new nationally determined contributions (NDCs) and the IPCC currently considers reforming itself to produce more relevant knowledge for climate action(Asayama et al., 2023; Hermansen et al., 2023; Noy, 2023), current momentum is towards the development of a new generation of IAMs and scenarios(Pedersen et al., 2020; Gambhir et al., 2022; Pedersen et al., 2022a; Ranjan et al., 2023; Savin and van den Bergh, 2022; Meinshausen et al., 2023; Peters et al., 2023; Szetey et al., 2023). In this regard, we believe that fostering collaborative efforts among our different research communities is timely, and could help improve integrated assessment modeling, with these dynamics being all the more supported by the convergence of views on demand-side measures and alternative economic pathways.

## Conclusion

Consideration of net energy is crucial to assess and design comprehensive and coherent climate mitigation scenarios. Yet, in part due to the late emergence of robust results in the EROI literature, such consideration has not yet spread beyond the Net Energy Analysis community. Here we try to address this issue by outlining the emerging EROI consensus, exploring key areas under investigation, and identifying further work.

Our summary underlines that, in a fossil fuel dominated world, the initial energy investment to power the transition to a low-carbon future will inevitably come from fossil fuels. This does not mean, though, that renewables cannot eventually support themselves. However, net energy constraints may still limit the energy available to invest in energy infrastructure and the energy available for discretionary uses, absent more sustainable production and consumption habits. This situation may be particularly destabilizing for industrializing countries, which might stay at the doorstep of the energy transition, unable to increase their reliance on modern low-carbon energy, while being among the least responsible and among the most impacted by climate change. These dynamics should not be ignored in transition scenarios, and we therefore call on fellow researchers to integrate net energy into Integrated Assessment Models using theories outside of the neoclassical economics paradigm. In this respect, we believe that fostering collaborative efforts among our different research communities could prove decisive.

## Acknowledgments

This work benefited from the careful reading of Paul Brockway, Jarmo Kikstra and Loïc Giaccone. We also thank Iñigo Capellán-Pérez for comments on a previous version of the manuscript. Louis Delannoy, Pierre-Yves Longaretti and Emmanuel Prados acknowledge the support of the French National Institute for Research in Digital Science and Technology (INRIA). Victor Court acknowledges the support of the Chair Energy and Prosperity, under the aegis of La Fondation du Risque.

## Author Contributions

**Louis Delannoy:** Conceptualization, Writing - Original Draft, Writing - Review & Editing, Visualization, Project administration **Matthieu Auzanneau:** Conceptualization, Writing - Review & Editing **Baptiste Andrieu:** Writing - Review & Editing **Olivier Vidal:** Writing - Review & Editing **Pierre-Yves Longaretti:** Writing - Review & Editing, Supervision, Funding acquisition **Emmanuel Prados:** Writing - Review & Editing, Supervision, Funding acquisition **David J. Murphy:** Writing - Review & Editing **Roger W. Bentley:** Writing - Review & Editing, Supervision **Michael Carbajales-Dale:** Writing - Review & Editing **Marco Raugei:** Writing - Review & Editing **Mikael Höök:** Writing - Review & Editing **Victor Court:** Writing - Review & Editing **Carey W. King:** Writing - Review & Editing **Florian Fizaine:** Writing - Review & Editing **Pierre Jacques:** Writing - Review & Editing **Matthew Kuperus Heun:** Writing - Review & Editing **Andrew Jackson:** Writing - Review & Editing **Charles Guay-Boutet:** Writing - Review & Editing **Emmanuel Aramendia:** Writing - Review & Editing **Jianliang Wang:** Writing - Review & Editing **Hugo Le Boulzec:** Writing - Review & Editing **Charles A.S. Hall:** Writing - Review & Editing

## Conflicts of interest

The authors declare that they have no known competing financial interests or personal relationships that could have appeared to influence the work reported in this paper.

## References

- Althouse, J. (2022). Ecological Macroeconomics for a Shared Planet: towards a Global Political Ecology of Money, Finance and Production. Ph.D. thesis, Université Sorbonne Paris Nord.
- Anderson, K. and Jewell, J. (2019). Debating the bedrock of climate-change mitigation scenarios. *Nature* 573: 348–349.
- Andrieu, B., Vidal, O., Le Boulzec, H., Delannoy, L. and Verzier, F. (2022). Energy intensity of final consumption: the richer, the poorer the efficiency. *Environmental Science & Technology* 56: 13909–13919, doi:10.1021/acs.est.2c03462.
- Aramendia, E. (2023). Exploring the useful energy impacts of the global energy transition: a net energy perspective. Ph.D. thesis, University of Leeds.
- Aramendia, E., Brockway, P. E., Pizzol, M. and Heun, M. K. (2021). Moving from final to useful stage in energy-economy analysis: A critical assessment. *Applied Energy* 283: 116194, doi:10.1016/j.apenergy.2020.116194.
- Arvesen, A., Luderer, G., Pehl, M., Bodirsky, B. L. and Hertwich, E. G. (2018). Deriving life cycle assessment coefficients for application in integrated assessment modelling. *Environmental Modelling & Software* 99: 111–125, doi:10.1016/j.envsoft.2017.09.010.
- Asayama, S., De Pryck, K., Beck, S., Cointe, B., Edwards, P. N., Guillemot, H., Gustafsson, K. M., Hartz, F., Hughes, H., Lahn, B., Leclerc, O., Lidskog, R., Livingston, J. E., Lorenzoni, I., MacDonald, J. P., Mahony, M., Miguel, J. C. H., Monteiro, M., O’Reilly, J., Pearce, W., Petersen, A., Siebenhüner, B., Skodvin, T., Standring, A., Sundqvist, G., Taddei, R., Bavel, B. van, Vardy, M., Yamineva, Y. and Hulme, M. (2023). Three institutional pathways to envision the future of the ipcc. *Nature Climate Change* 13: 877–880, doi:10.1038/s41558-023-01780-8.
- Asefi-Najafabady, S., Villegas-Ortiz, L. and Morgan, J. (2020). The failure of integrated assessment models as a response to ‘climate emergency’ and ecological breakdown: the emperor has no clothes. *Globalizations* 18: 1178–1188, doi:10.1080/14747731.2020.1853958.
- Bataille, C., Nilsson, L. J. and Jotzo, F. (2021). Industry in a net-zero emissions world: New mitigation pathways, new supply chains, modelling needs and policy implications. *Energy and Climate Change* 2: 100059, doi:10.1016/j.egycc.2021.100059.
- Bauer, N., Hilaire, J., Brecha, R. J., Edmonds, J., Jiang, K., Kriegler, E., Rogner, H.-H. and Sfera, F. (2016). Assessing global fossil fuel availability in a scenario framework. *Energy* 111: 580–592, doi:10.1016/j.energy.2016.05.088.
- Baumstark, L., Bauer, N., Benke, F., Bertram, C., Bi, S., Gong, C. C., Dietrich, J. P., Dirnaichner, A., Giannousakis, A., Hilaire, J., Klein, D., Koch, J., Leimbach, M., Levesque, A., Madeddu, S., Malik, A., Merfort, A., Merfort, L., Odenweller, A., Pehl, M., Pietzcker, R. C., Piontek, F., Rauner, S., Rodrigues, R., Rottoli, M., Schreyer, F., Schultes, A., Soergel, B., Soergel, D., Strefler, J., Ueckerdt, F., Kriegler, E. and Luderer, G. (2021). REMIND2.1: transformation and innovation dynamics of the energy-economic system within climate and sustainability limits. *Geoscientific Model Development* 14: 6571–6603, doi:10.5194/gmd-14-6571-2021.
- Beck, S. and Mahony, M. (2018). The politics of anticipation: the ipcc and the negative emissions technologies experience. *Global Sustainability* 1, doi:10.1017/sus.2018.7.
- Beck, S. and Oomen, J. (2021). Imagining the corridor of climate mitigation – what is at stake in ipcc’s politics of anticipation? *Environmental Science & Policy* 123: 169–178, doi:10.1016/j.envsci.2021.05.011.
- Beek, L. van, Hajer, M., Pelzer, P., Vuuren, D. van and Cassen, C. (2020a). Anticipating futures through models: the rise of integrated assessment modelling in the climate science-policy interface since 1970. *Global Environmental Change* 65: 102191, doi:10.1016/j.gloenvcha.2020.102191.
- Beek, L. van, Hajer, M., Pelzer, P., Vuuren, D. van and Cassen, C. (2020b). Anticipating futures through models: the rise of integrated assessment modelling in the climate science-policy interface since 1970. *Global Environmental Change* 65: 102191, doi:10.1016/j.gloenvcha.2020.102191.
- Beek, L. van, Oomen, J., Hajer, M., Pelzer, P. and Vuuren, D. van (2022). Navigating the political: An analysis of political calibration of integrated assessment modelling in light of the 1.5 °c goal. *Environ. Sci. Policy* 133: 193–202.

- Bentley, R. W., Mushalik, M. and Wang, J. (2020). The resource-limited plateau in global conventional oil production: Analysis and consequences. *Biophysical Economics and Sustainability* 5, doi:10.1007/s41247-020-00076-1.
- Berg, P. and Boland, A. (2013). Analysis of ultimate fossil fuel reserves and associated CO<sub>2</sub> emissions in IPCC scenarios. *Natural Resources Research* 23: 141–158, doi:10.1007/s11053-013-9207-7.
- Blas, I. de, Miguel, L. J. and Capellán-Pérez, I. (2019). Modelling of sectoral energy demand through energy intensities in MEDEAS integrated assessment model. *Energy Strategy Reviews* 26: 100419, doi:10.1016/j.esr.2019.100419.
- Bosetti, V., Carraro, C., Galeotti, M., Massetti, E. and Tavoni, M. (2006). A world induced technical change hybrid model. *The Energy Journal* SI2006, doi:10.5547/issn0195-6574-ej-volsi2006-nosi2-2.
- Boulzec, H. L., Mathy, S., Verzier, F., Andrieu, B., Monfort-Climent, D. and Vidal, O. (2023). Material requirements and impacts of the building sector in the shared socioeconomic pathways. *Journal of Cleaner Production* 428: 139117, doi:10.1016/j.jclepro.2023.139117.
- Brand-Correa, L., Brook, A., Büchs, M., Meier, P., Naik, Y. and O’Neill, D. W. (2022). Economics for people and planet—moving beyond the neoclassical paradigm. *The Lancet Planetary Health* 6: e371–e379, doi:10.1016/s2542-5196(22)00063-8.
- Brandt, A. R. and Dale, M. (2011). A general mathematical framework for calculating systems-scale efficiency of energy extraction and conversion: Energy return on investment (EROI) and other energy return ratios. *Energies* 4: 1211–1245, doi:10.3390/en4081211.
- Brandt, A. R., Sun, Y., Bharadwaj, S., Livingston, D., Tan, E. and Gordon, D. (2015a). Energy return on investment (EROI) for forty global oilfields using a detailed engineering-based model of oil production. *PLOS ONE* 10: e0144141, doi:10.1371/journal.pone.0144141.
- Brandt, A. R., Yeskoo, T. and Vafi, K. (2015b). Net energy analysis of Bakken crude oil production using a well-level engineering-based model. *Energy* 93: 2191–2198, doi:10.1016/j.energy.2015.10.113.
- Brecha, R. J. (2008). Emission scenarios in the face of fossil-fuel peaking. *Energy Policy* 36: 3492–3504, doi:10.1016/j.enpol.2008.05.023.
- Brockway, P. E., Owen, A., Brand-Correa, L. I. and Hardt, L. (2019). Estimation of global final-stage energy-return-on-investment for fossil fuels with comparison to renewable energy sources. *Nature Energy* 4: 612–621, doi:10.1038/s41560-019-0425-z.
- Brockway, P. E., Sorrell, S., Semieniuk, G., Heun, M. K. and Court, V. (2021). Energy efficiency and economy-wide rebound effects: A review of the evidence and its implications. *Renewable and Sustainable Energy Reviews* 141: 110781, doi:10.1016/j.rser.2021.110781.
- Budzinski, M., Wood, R., Zakeri, B., Krey, V. and Strømman, A. H. (2023). Coupling energy system models with multi-regional input-output models based on the make and use framework – insights from MESSAGEix and EXIOBASE. *Economic Systems Research* : 1–19doi:10.1080/09535314.2022.2158065.
- Buhaug, H. and Vestby, J. (2019). On growth projections in the shared socioeconomic pathways. *Glob. Environ. Polit.* 19: 118–132.
- Burgess, M. G., Langendorf, R. E., Moyer, J. D., Dancer, A., Hughes, B. B. and Tilman, D. (2023). Multidecadal dynamics project slow 21st-century economic growth and income convergence. *Communications Earth & Environment* 4, doi:10.1038/s43247-023-00874-7.
- Burgess, M. G., Ritchie, J., Shapland, J. and Pielke, R. (2020). IPCC baseline scenarios have over-projected CO<sub>2</sub> emissions and economic growth. *Environmental Research Letters* 16: 014016, doi:10.1088/1748-9326/abcdd2.
- Cai, Y., Newth, D., Finnigan, J. and Gunasekera, D. (2015). A hybrid energy-economy model for global integrated assessment of climate change, carbon mitigation and energy transformation. *Applied Energy* 148: 381–395, doi:10.1016/j.apenergy.2015.03.106.
- Calvin, K., Patel, P., Clarke, L., Asrar, G., Bond-Lamberty, B., Cui, R. Y., Vittorio, A. D., Dorheim, K., Edmonds, J., Hartin, C., Hejazi, M., Horowitz, R., Iyer, G., Kyle, P., Kim, S., Link, R., McJeon, H., Smith, S. J., Snyder, A., Waldhoff, S. and Wise, M. (2019). GCAM v5.1: representing the linkages between energy, water, land, climate, and economic systems. *Geoscientific Model Development* 12: 677–698, doi:10.5194/gmd-12-677-2019.

- Cantarero, M. M. V. (2020). Of renewable energy, energy democracy, and sustainable development: A roadmap to accelerate the energy transition in developing countries. *Energy Research & Social Science* 70: 101716, doi:10.1016/j.erss.2020.101716.
- Capellán-Pérez, I., Arto, I., Polanco-Martínez, J. M., González-Eguino, M. and Neumann, M. B. (2016). Likelihood of climate change pathways under uncertainty on fossil fuel resource availability. *Energy & Environmental Science* 9: 2482–2496, doi:10.1039/c6ee01008c.
- Capellán-Pérez, I., Blas, I. de, Nieto, J., Castro, C. de, Miguel, L. J., Carpintero, Ó., Mediavilla, M., Lobejón, L. F., Ferreras-Alonso, N., Rodrigo, P., Frechoso, F. and Álvarez-Antelo, D. (2020). MEDEAS: a new modeling framework integrating global biophysical and socioeconomic constraints. *Energy & Environmental Science* 13: 986–1017, doi:10.1039/c9ee02627d.
- Capellán-Pérez, I., Castro, C. de and González, L. J. M. (2019). Dynamic energy return on energy investment (EROI) and material requirements in scenarios of global transition to renewable energies. *Energy Strategy Reviews* 26: 100399, doi:10.1016/j.esr.2019.100399.
- Capellán-Pérez, I., Mediavilla, M., Castro, C. de, Carpintero, Ó. and Miguel, L. J. (2014). Fossil fuel depletion and socio-economic scenarios: An integrated approach. *Energy* 77: 641–666, doi:10.1016/j.energy.2014.09.063.
- Capellán-Pérez, I., Mediavilla, M., Castro, C. de, Carpintero, Ó. and Miguel, L. J. (2015). More growth? an unfeasible option to overcome critical energy constraints and climate change. *Sustainability Science* 10: 397–411, doi:10.1007/s11625-015-0299-3.
- Carbajales-Dale, M. (2019). When is EROI not EROI? *BioPhysical Economics and Resource Quality* 4, doi:10.1007/s41247-019-0065-8.
- Carley, S. and Konisky, D. M. (2020). The justice and equity implications of the clean energy transition. *Nature Energy* 5: 569–577, doi:10.1038/s41560-020-0641-6.
- Cattan, R. and McIsaac, F. (2021). A macroeconomic critique of integrated assessment environmental models: the case of Brazil. *Review of Keynesian Economics* 9: 204–231, doi:10.4337/roke.2021.02.03.
- Chapman, I. (2014). The end of Peak Oil? Why this topic is still relevant despite recent denials. *Energy Policy* 64: 93–101, doi:10.1016/j.enpol.2013.05.010.
- Chen, Y.-H. H., Paltsev, S., Gurgel, A., Reilly, J. M. and Morris, J. (2022). A multisectoral dynamic model for energy, economic, and climate scenario analysis. *Low Carbon Economy* 13: 70–111, doi:10.4236/lce.2022.132005.
- Cherp, A., Jewell, J., Vinichenko, V., Bauer, N. and De Cian, E. (2016). Global energy security under different climate policies, GDP growth rates and fossil resource availabilities. *Climatic Change* 136: 83–94, doi:10.1007/s10584-013-0950-x.
- Chiari, L. and Zecca, A. (2011). Constraints of fossil fuels depletion on global warming projections. *Energy Policy* 39: 5026–5034, doi:10.1016/j.enpol.2011.06.011.
- Court, V. and Fizaine, F. (2017). Long-term estimates of the energy-return-on-investment (EROI) of coal, oil, and gas global productions. *Ecological Economics* 138: 145–159, doi:10.1016/j.ecolecon.2017.03.015.
- Court, V. and McIsaac, F. (2020). A representation of the world population dynamics for integrated assessment models. *Environmental Modeling & Assessment* 25: 611–632, doi:10.1007/s10666-020-09703-z.
- Creutzig, F., Agoston, P., Goldschmidt, J. C., Luderer, G., Nemet, G. and Pietzcker, R. C. (2017). The underestimated potential of solar energy to mitigate climate change. *Nature Energy* 2, doi:10.1038/nenergy.2017.140.
- Creutzig, F., Roy, J., Lamb, W. F., Azevedo, I. M. L., Bruin, W. B. de, Dalkmann, H., Edelenbosch, O. Y., Geels, F. W., Grubler, A., Hepburn, C., Hertwich, E. G., Khosla, R., Mattauch, L., Minx, J. C., Ramakrishnan, A., Rao, N. D., Steinberger, J. K., Tavoni, M., Vorsatz, D. Ürge and Weber, E. U. (2018). Towards demand-side solutions for mitigating climate change. *Nature Climate Change* 8: 260–263, doi:10.1038/s41558-018-0121-1.
- Crownshaw, T. J. H. (2023). A modelling framework for evaluating the dynamic metabolic feasibility of energy transition scenarios. *Working paper SSRN* doi:10.2139/ssrn.4443348.
- Cullen, J. M., Allwood, J. M. and Borgstein, E. H. (2011). Reducing Energy Demand: What Are the Practical Limits? *Environmental Science & Technology* 45: 1711–1718, doi:10.1021/es102641n, publisher: American Chemical Society.

- Dale, M. (2011). Global Energy Modelling: a Biophysical Approach (GEMBA). Ph.D. thesis, University of Canterbury.
- Dale, M. and Benson, S. M. (2013). Energy balance of the global photovoltaic (PV) industry - is the PV industry a net electricity producer? *Environmental Science & Technology* 47: 3482–3489, doi:10.1021/es3038824.
- Dale, M., Krumdieck, S. and Bodger, P. (2012). Global energy modelling — a biophysical approach (GEMBA) part 2: Methodology. *Ecological Economics* 73: 158–167, doi:10.1016/j.ecolecon.2011.10.028.
- de Blas, I., Mediavilla, M., Capellán-Pérez, I. and Duce, C. (2020). The limits of transport decarbonization under the current growth paradigm. *Energy Strategy Reviews* 32: 100543, doi:10.1016/j.esr.2020.100543.
- De Cian, E., Sferra, F. and Tavoni, M. (2016). The influence of economic growth, population, and fossil fuel scarcity on energy investments. *Climatic Change* 136: 39–55, doi:10.1007/s10584-013-0902-5.
- Delannoy, L., Longaretti, P.-Y., Murphy, D. J. and Prados, E. (2021a). Assessing global long-term EROI of gas: A net-energy perspective on the energy transition. *Energies* 14: 5112, doi:10.3390/en14165112.
- Delannoy, L., Longaretti, P.-Y., Murphy, D. J. and Prados, E. (2021b). Peak oil and the low-carbon energy transition: A net-energy perspective. *Applied Energy* 304: 117843, doi:10.1016/j.apenergy.2021.117843.
- Desing, H., Widmer, R., Bardi, U., Beylot, A., Billy, R. G., Gasser, M., Gauch, M., Monfort, D. C., Müller, D. B., Raugei, M., Remmen, K., Schenker, V., Schlesier, H., Valdivia, S. and Wäger, P. (2023). Mobilizing materials to enable a fast energy transition: a conceptual framework doi:10.31219/osf.io/27z9d.
- Diesendorf, M. (2022). Scenarios for mitigating co2 emissions from energy supply in the absence of co2 removal. *Climate Policy* 22: 882–896, doi:10.1080/14693062.2022.2061407.
- Doukas, H., Nikas, A., González-Eguino, M., Arto, I. and Anger-Kraavi, A. (2018). From Integrated to Integrative: Delivering on the Paris Agreement. *Sustainability* 10: 2299, doi:10.3390/su10072299.
- Dupont, E., Koppelaar, R. and Jeanmart, H. (2018). Global available wind energy with physical and energy return on investment constraints. *Applied Energy* 209: 322–338, doi:10.1016/j.apenergy.2017.09.085.
- Dupont, E., Koppelaar, R. and Jeanmart, H. (2020). Global available solar energy under physical and energy return on investment constraints. *Applied Energy* 257: 113968, doi:10.1016/j.apenergy.2019.113968.
- Edelenbosch, O., Kermeli, K., Crijns-Graus, W., Worrell, E., Bibas, R., Fais, B., Fujimori, S., Kyle, P., Sano, F. and Vuuren, D. van (2017). Comparing projections of industrial energy demand and greenhouse gas emissions in long-term energy models. *Energy* 122: 701–710, doi:10.1016/j.energy.2017.01.017.
- Ellenbeck, S. and Lilliestam, J. (2019). How modelers construct energy costs: Discursive elements in energy system and integrated assessment models. *Energy Res. Soc. Sci.* 47: 69–77.
- Espagne, E. (2018). Money, finance and climate: The elusive quest for a truly integrated assessment model. *Comparative Economic Studies* 60: 131–143, doi:10.1057/s41294-018-0055-7.
- European Commission Joint Research Centre (2018). *POLES-JRC model documentation: 2018 update..* Publications Office, doi:10.2760/814959.
- Fabre, A. (2019). Evolution of EROIs of electricity until 2050: Estimation and implications on prices. *Ecological Economics* 164: 106351, doi:10.1016/j.ecolecon.2019.06.006.
- Faehn, T., Bachner, G., Beach, R., Chateau, J., Fujimori, S., Ghosh, M., Hamdi-Cherif, M., Lanzi, E., Paltsev, S., Vandyck, T., Cunha, B., Garaffa, R. and Steininger, K. (2020). Capturing key energy and emission trends in CGE models: Assessment of status and remaining challenges. *Journal of Global Economic Analysis* 5: 196–272, doi:10.21642/jgea.050106af.
- Fajardy, M. and Dowell, N. M. (2018). The energy return on investment of BECCS: is BECCS a threat to energy security? *Energy & Environmental Science* 11: 1581–1594, doi:10.1039/c7ee03610h.
- Fanning, A. L. and Hickel, J. (2023). Compensation for atmospheric appropriation. *Nature Sustainability* doi:10.1038/s41893-023-01130-8.



- Fizaine, F. and Court, V. (2015). Renewable electricity producing technologies and metal depletion: A sensitivity analysis using the EROI. *Ecological Economics* 110: 106–118, doi: 10.1016/j.ecolecon.2014.12.001.
- Floyd, J., Alexander, S., Lenzen, M., Moriarty, P., Palmer, G., Chandra-Shekeran, S., Foran, B. and Keyßer, L. (2020). Energy descent as a post-carbon transition scenario: How ‘knowledge humility’ reshapes energy futures for post-normal times. *Futures* 122: 102565, doi:10.1016/j.futures.2020.102565.
- Foster, G. (2020). Concrete utopianism in integrated assessment models: Discovering the philosophy of the shared socioeconomic pathways. *Energy Res. Soc. Sci.* 68: 101533.
- Fouré, J., Aguiar, A., Bibas, R., Chateau, J., Fujimori, S., Lefevre, J., Leimbach, M., Rey-Los-Santos, L. and Valin, H. (2020). Macroeconomic drivers of baseline scenarios in dynamic CGE models: review and guidelines proposal. *Journal of Global Economic Analysis* 5: 28–62, doi: 10.21642/jgea.050102af.
- Gambhir, A., Drouet, L., McCollum, D., Napp, T., Bernie, D., Hawkes, A., Fricko, O., Havlik, P., Riahi, K., Bosetti, V. and Lowe, J. (2017). Assessing the feasibility of global long-term mitigation scenarios. *Energies* 10: 89, doi:10.3390/en10010089.
- Gambhir, A., Ganguly, G. and Mittal, S. (2022). Climate change mitigation scenario databases should incorporate more non-IAM pathways. *Joule* 6: 2663–2667, doi:10.1016/j.joule.2022.11.007.
- Giraud, G. and Valcke, P. (2023). Macrodynamics and climate: a reformulation. *Oxford Open Economics* doi:10.1093/ooec/odad007.
- Grant, N., Hawkes, A., Napp, T. and Gambhir, A. (2021). Cost reductions in renewables can substantially erode the value of carbon capture and storage in mitigation pathways. *One Earth* 4: 1588–1601, doi:10.1016/j.oneear.2021.10.024.
- Guay-Boutet, C. (2023). Estimating the disaggregated standard EROI of canadian oil sands extracted via open-pit mining, 1997–2016. *Biophysical Economics and Sustainability* 8, doi: 10.1007/s41247-023-00109-5.
- Haberl, H., Wiedenhofer, D., Pauliuk, S., Krausmann, F., Müller, D. B. and Fischer-Kowalski, M. (2019). Contributions of sociometabolic research to sustainability science. *Nature Sustainability* 2: 173–184, doi:10.1038/s41893-019-0225-2.
- Hafner, S., Anger-Kraavi, A., Monasterolo, I. and Jones, A. (2020). Emergence of new economics energy transition models: A review. *Ecological Economics* 177: 106779, doi:10.1016/j.ecolecon.2020.106779.
- Hall, C. (2017). *Energy Return on Investment*. Springer International Publishing, doi:10.1007/978-3-319-47821-0.
- Hall, C. A. S., Powers, R. and Schoenberg, W. (2008). Peak oil, EROI, investments and the economy in an uncertain future. In Pimentel, D. (ed.), *Biofuels, Solar and Wind as Renewable Energy Systems*. Springer Netherlands, 109–132, doi:10.1007/978-1-4020-8654-0\_5.
- Heede, R. and Oreskes, N. (2016). Potential emissions of CO<sub>2</sub> and methane from proved reserves of fossil fuels: An alternative analysis. *Global Environmental Change* 36: 12–20, doi:10.1016/j.gloenvcha.2015.10.005.
- Hermansen, E. A. T., Boasson, E. L. and Peters, G. P. (2023). Climate action post-paris: how can the ipcc stay relevant? *npj Climate Action* 2, doi:10.1038/s44168-023-00058-1.
- Heun, M., Santos, J., Brockway, P., Pruijm, R., Domingos, T. and Sakai, M. (2017). From theory to econometrics to energy policy: Cautionary tales for policymaking using aggregate production functions. *Energies* 10: 203, doi:10.3390/en10020203.
- Heun, M. K., Marshall, Z., Aramendia, E. and Brockway, P. E. (2020). The energy and exergy of light with application to societal exergy analysis. *Energies* 13: 5489, doi:10.3390/en13205489.
- Heun, M. K. and Wit, M. de (2012). Energy return on (energy) invested (EROI), oil prices, and energy transitions. *Energy Policy* 40: 147–158, doi:10.1016/j.enpol.2011.09.008.
- Hickel, J., Brockway, P., Kallis, G., Keyßer, L., Lenzen, M., Slameršak, A., Steinberger, J. and Vorsatz, D. Ürge (2021). Urgent need for post-growth climate mitigation scenarios. *Nature Energy* 6: 766–768, doi:10.1038/s41560-021-00884-9.
- Hickel, J., Dorninger, C., Wieland, H. and Suwandi, I. (2022a). Imperialist appropriation in the world economy: Drain from the global south through unequal exchange, 1990–2015. *Global Environmental Change* 73: 102467, doi:10.1016/j.gloenvcha.2022.102467.

- Hickel, J., O’Neill, D. W., Fanning, A. L. and Zoomkawala, H. (2022b). National responsibility for ecological breakdown: a fair-shares assessment of resource use, 1970–2017. *The Lancet Planetary Health* 6: e342–e349, doi:10.1016/s2542-5196(22)00044-4.
- Hickel, J. and Slamersak, A. (2022). Existing climate mitigation scenarios perpetuate colonial inequalities. *The Lancet Planetary Health* 6: e628–e631, doi:10.1016/s2542-5196(22)00092-4.
- Hirt, L. F., Schell, G., Sahakian, M. and Trutnevyte, E. (2020). A review of linking models and socio-technical transitions theories for energy and climate solutions. *Environmental Innovation and Societal Transitions* 35: 162–179, doi:10.1016/j.eist.2020.03.002.
- Hollnaicher, S. (2022). On economic modeling of carbon dioxide removal: values, bias, and norms for good policy-advising modeling. *Global Sustainability* 5, doi:10.1017/sus.2022.16.
- Höök, M. (2011). Future coal production outlooks in the IPCC emission scenarios: Are they plausible? *Energy & Environment* 22: 837–857, doi:10.1260/0958-305x.22.7.837.
- Höök, M., Sivertsson, A. and Aleklett, K. (2010). Validity of the fossil fuel production outlooks in the IPCC emission scenarios. *Natural Resources Research* 19: 63–81, doi:10.1007/s11053-010-9113-1.
- Huang, K. and Eckelman, M. J. (2020). Appending material flows to the national energy modeling system (NEMS) for projecting the physical economy of the united states. *Journal of Industrial Ecology* 26: 294–308, doi:10.1111/jiec.13053.
- Huard, D., Fyke, J., Capellán-Pérez, I., Matthews, H. D. and Partanen, A.-I. (2022). Estimating the likelihood of GHG concentration scenarios from probabilistic integrated assessment model simulations. *Earth's Future* 10, doi:10.1029/2022ef002715.
- Höök, M. and Tang, X. (2013). Depletion of fossil fuels and anthropogenic climate change—a review. *Energy Policy* 52: 797–809, doi:10.1016/j.enpol.2012.10.046.
- IIASA (2020). MESSAGE documentation. *International Institute for Applied Systems Analysis* .
- IPCC (2022). Climate Change 2022: Mitigation of Climate Change. Contribution of Working Group III to the Sixth Assessment Report of the Intergovernmental Panel on Climate Change. Tech. rep., IPCC, Cambridge, UK and New York, NY, USA, doi:10.1017/9781009157926.
- Jackson, A. and Jackson, T. (2021). Modelling energy transition risk: The impact of declining energy return on investment (EROI). *Ecological Economics* 185: 107023, doi:10.1016/j.ecolecon.2021.107023.
- Jacques, P., Delannoy, L., Andrieu, B., Yilmaz, D., Jeanmart, H. and Godin, A. (2023). Assessing the economic consequences of an energy transition through a biophysical stock-flow consistent model. *Ecological Economics* 209: 107832, doi:10.1016/j.ecolecon.2023.107832.
- Johnsson, F., Kjärstad, J. and Rootzén, J. (2018). The threat to climate change mitigation posed by the abundance of fossil fuels. *Climate Policy* 19: 258–274, doi:10.1080/14693062.2018.1483885.
- Kaya, A., Csala, D. and Sgouridis, S. (2017). Constant elasticity of substitution functions for energy modeling in general equilibrium integrated assessment models: a critical review and recommendations. *Climatic Change* 145: 27–40, doi:10.1007/s10584-017-2077-y.
- Keppo, I., Butnar, I., Bauer, N., Caspani, M., Edelenbosch, O., Emmerling, J., Fragkos, P., Guivarch, C., Harmsen, M., Lefèvre, J., Gallic, T. L., Leimbach, M., McDowall, W., Mercure, J.-F., Schaeffer, R., Trutnevyte, E. and Wagner, F. (2021). Exploring the possibility space: taking stock of the diverse capabilities and gaps in integrated assessment models. *Environmental Research Letters* 16: 053006, doi:10.1088/1748-9326/abe5d8.
- Keyßer, L. T. and Lenzen, M. (2021). 1.5 °C degrowth scenarios suggest the need for new mitigation pathways. *Nature Communications* 12, doi:10.1038/s41467-021-22884-9.
- Kharecha, P. A. and Hansen, J. E. (2008). Implications of “peak oil” for atmospheric CO<sub>2</sub> and climate. *Global Biogeochemical Cycles* 22: n/a–n/a, doi:10.1029/2007gb003142.
- Kikstra, J. S., Mastrucci, A., Min, J., Riahi, K. and Rao, N. D. (2021). Decent living gaps and energy needs around the world. *Environmental Research Letters* 16: 095006, doi:10.1088/1748-9326/ac1c27.
- Kikstra, J. S., Mengyu Li, Brockway, P., Hickel, J., Keysser, L., Arunima Malik, Rogelj, J., Van Ruijven, B. and Lenzen, M. (2023). Towards degrowth in integrated assessment models [preprint v1.1] doi:10.13140/RG.2.2.20355.68647.
- King, C., Maxwell, J. and Donovan, A. (2015a). Comparing world economic and net energy metrics, part 1: Single technology and commodity perspective. *Energies* 8: 12949–12974, doi:10.3390/en8112346.

- King, C., Maxwell, J. and Donovan, A. (2015b). Comparing world economic and net energy metrics, part 2: Total economy expenditure perspective. *Energies* 8: 12975–12996, doi:10.3390/en81112347.
- King, C. W. (2020). An integrated biophysical and economic modeling framework for long-term sustainability analysis: the HARMONEY model. *Ecological Economics* 169: 106464, doi:10.1016/j.ecolecon.2019.106464.
- King, C. W. (2021). Interdependence of growth, structure, size and resource consumption during an economic growth cycle. *Biophysical Economics and Sustainability* 7, doi:10.1007/s41247-021-00093-8.
- King, C. W. and Hall, C. A. (2011). Relating financial and energy return on investment. *Sustainability* 3: 1810–1832, doi:10.3390/su3101810.
- King, L. C. and Bergh, J. C. J. M. van den (2018). Implications of net energy-return-on-investment for a low-carbon energy transition. *Nature Energy* 3: 334–340, doi:10.1038/s41560-018-0116-1.
- Koasidis, K., Nikas, A. and Doukas, H. (2023). Why integrated assessment models alone are insufficient to navigate us through the polycrisis. *One Earth* 6: 205–209, doi:10.1016/j.oneear.2023.02.009.
- Kriegler, E., Mouratiadou, I., Luderer, G., Bauer, N., Brecha, R. J., Calvin, K., De Cian, E., Edmonds, J., Jiang, K., Tavoni, M. and Edenhofer, O. (2016). Will economic growth and fossil fuel scarcity help or hinder climate stabilization? *Climatic Change* 136: 7–22, doi:10.1007/s10584-016-1668-3.
- Kuhnhenh, K. (2018). Economic growth in mitigation scenarios: A blind spot in climate science global scenarios from a growth-critical perspective. *Heinrich Böll Foundation* .
- Kullmann, F., Markewitz, P., Stolten, D. and Robinius, M. (2021). Combining the worlds of energy systems and material flow analysis: a review. *Energy, Sustainability and Society* 11, doi:10.1186/s13705-021-00289-2.
- Kümmel, R. and Lindenberger, D. (2014). How energy conversion drives economic growth far from the equilibrium of neoclassical economics. *New Journal of Physics* 16: 125008, doi:10.1088/1367-2630/16/12/125008.
- Laherrère, J., Hall, C. A. and Bentley, R. (2022). How much oil remains for the world to produce? comparing assessment methods, and separating fact from fiction. *Current Research in Environmental Sustainability* 4: 100174, doi:10.1016/j.crsust.2022.100174.
- Le Boulzec, H., Delannoy, L., Andrieu, B., Verzier, F., Vidal, O. and Mathy, S. (2022). Dynamic modeling of global fossil fuel infrastructure and materials needs: Overcoming a lack of available data. *Applied Energy* 326: 119871, doi:10.1016/j.apenergy.2022.119871.
- Lefèvre, J. (2023). Integrated assessment models and input–output analysis: bridging fields for advancing sustainability scenarios research. *Economic Systems Research* : 1–24doi:10.1080/09535314.2023.2266559.
- Li, M., Keyßer, L., Kikstra, J. S., Hickel, J., Brockway, P. E., Dai, N., Malik, A. and Lenzen, M. (2023). Integrated assessment modelling of degrowth scenarios for australia. *Economic Systems Research* : 1–31doi:10.1080/09535314.2023.2245544.
- Limpens, G., Moret, S., Jeanmart, H. and Maréchal, F. (2019). EnergyScope TD: A novel open-source model for regional energy systems. *Applied Energy* 255: 113729, doi:10.1016/j.apenergy.2019.113729.
- Luderer, G., Pehl, M., Arvesen, A., Gibon, T., Bodirsky, B. L., Boer, H. S. de, Fricko, O., Hejazi, M., Humpenöder, F., Iyer, G., Mima, S., Mouratiadou, I., Pietzcker, R. C., Popp, A., Berg, M. van den, Vuuren, D. van and Hertwich, E. G. (2019). Environmental co-benefits and adverse side-effects of alternative power sector decarbonization strategies. *Nature Communications* 10, doi:10.1038/s41467-019-13067-8.
- Luderer, G., Vrontisi, Z., Bertram, C., Edelenbosch, O. Y., Pietzcker, R. C., Rogelj, J., Boer, H. S. D., Drouet, L., Emmerling, J., Fricko, O., Fujimori, S., Havlík, P., Iyer, G., Keramidis, K., Kitous, A., Pehl, M., Krey, V., Riahi, K., Saveyn, B., Tavoni, M., Vuuren, D. P. V. and Kriegler, E. (2018). Residual fossil CO<sub>2</sub> emissions in 1.5–2 °C pathways. *Nature Climate Change* 8: 626–633, doi:10.1038/s41558-018-0198-6.
- Manfroni, M., Bukkens, S. G. and Giampietro, M. (2021). The declining performance of the oil sector: Implications for global climate change mitigation. *Applied Energy* 298: 117210, doi:10.1016/j.apenergy.2021.117210.

- Marshall, Z., Heun, M., Brockway, P., Aramendia, E., Steenwyk, P., Relph, T., Widjanarko, M., Kim, J., Sainju, A. and Iturbe, J. (2023). TA Multi-Regional Primary-Final-Useful (MR-PFU) energy and exergy database v1.0. Tech. rep., University of Leeds, doi:10.5518/1199.
- Martin, N., Madrid-López, C., Villalba-Méndez, G. and Talens-Peiró, L. (2022). Overlooked factors in predicting the transition to clean electricity. *Environmental Research: Infrastructure and Sustainability* 2: 021005, doi:10.1088/2634-4505/ac70f7.
- Masnadi, M. S. and Brandt, A. R. (2017). Energetic productivity dynamics of global super-giant oilfields. *Energy & Environmental Science* 10: 1493–1504, doi:10.1039/c7ee01031a.
- McCollum, D., Bauer, N., Calvin, K., Kitous, A. and Riahi, K. (2013). Fossil resource and energy security dynamics in conventional and carbon-constrained worlds. *Climatic Change* 123: 413–426, doi:10.1007/s10584-013-0939-5.
- Meinshausen, M., Schleussner, C.-F., Beyer, K., Bodeker, G., Boucher, O., Canadell, J. G., Daniel, J. S., Diongue-Niang, A., Driouech, F., Fischer, E., Forster, P., Grose, M., Hansen, G., Hausfather, Z., Ilyina, T., Kikstra, J. S., Kimutai, J., King, A., Lee, J.-Y., Lennard, C., Lissner, T., Nauels, A., Peters, G. P., Pirani, A., Plattner, G.-K., Pörtner, H., Rogelj, J., Rojas, M., Roy, J., Samset, B. H., Sanderson, B. M., Séférian, R., Seneviratne, S., Smith, C. J., Szopa, S., Thomas, A., Urge-Vorsatz, D., Velders, G. J. M., Yokohata, T., Ziehn, T. and Nicholls, Z. (2023). A perspective on the next generation of earth system model scenarios: towards representative emission pathways (reps) doi:10.5194/gmd-2023-176.
- Mercure, J.-F. and Salas, P. (2012). An assesment of global energy resource economic potentials. *Energy* 46: 322–336, doi:10.1016/j.energy.2012.08.018.
- Mercure, J.-F., Salas, P., Vercoulen, P., Semieniuk, G., Lam, A., Pollitt, H., Holden, P. B., Vakilifard, N., Chewpreecha, U., Edwards, N. R. and Vinuales, J. E. (2021). Reframing incentives for climate policy action. *Nature Energy* 6: 1133–1143, doi:10.1038/s41560-021-00934-2.
- Millward-Hopkins, J., Steinberger, J. K., Rao, N. D. and Oswald, Y. (2020). Providing decent living with minimum energy: A global scenario. *Global Environmental Change* 65: 102168, doi:10.1016/j.gloenvcha.2020.102168.
- Moeller, D. and Murphy, D. (2016). Net energy analysis of gas production from the marcellus shale. *BioPhysical Economics and Resource Quality* 1, doi:10.1007/s41247-016-0006-8.
- Mohr, S., Wang, J., Ellem, G., Ward, J. and Giurco, D. (2015). Projection of world fossil fuels by country. *Fuel* 141: 120–135, doi:10.1016/j.fuel.2014.10.030.
- Moyer, J. D. (2023). Modeling transformational policy pathways on low growth and negative growth scenarios to assess impacts on socioeconomic development and carbon emissions. *Scientific Reports* 13, doi:10.1038/s41598-023-42782-y.
- Murphy, D. J. and Hall, C. (2011). Energy return on investment, peak oil, and the end of economic growth. *Annals of the New York Academy of Sciences* 1219: 52–72, doi:10.1111/j.1749-6632.2010.05940.x.
- Murphy, D. J., Raugei, M., Carbajales-Dale, M. and Rubio Estrada, B. (2022). Energy return on investment of major energy carriers: Review and harmonization. *Sustainability* 14, doi:10.3390/su14127098.
- Murray, J. W. (2016). Limitations of oil production to the IPCC scenarios: The new realities of US and global oil production. *BioPhysical Economics and Resource Quality* 1, doi:10.1007/s41247-016-0013-9.
- Murray, J. W. and Hansen, J. (2013). Peak oil and energy independence: Myth and reality. *Eos, Transactions American Geophysical Union* 94: 245–246, doi:10.1002/2013eo280001.
- Nel, W. P. and Cooper, C. J. (2009). Implications of fossil fuel constraints on economic growth and global warming. *Energy Policy* 37: 166–180, doi:10.1016/j.enpol.2008.08.013.
- Neumeyer, C. and Goldston, R. (2016). Dynamic EROI assessment of the IPCC 21<sup>st</sup> century electricity production scenario. *Sustainability* 8: 421, doi:10.3390/su8050421.
- Newell, P., Srivastava, S., Naess, L. O., Contreras, G. A. T. and Price, R. (2021). Toward transformative climate justice: An emerging research agenda. *WIREs Climate Change* 12, doi:10.1002/wcc.733.
- Nieto, J., Carpintero, Ó., Lobejón, L. F. and Miguel, L. J. (2020). An ecological macroeconomics model: The energy transition in the EU. *Energy Policy* 145: 111726, doi:10.1016/j.enpol.2020.111726.

- Norouzi, N., Fani, M. and Ziarani, Z. K. (2020). The fall of oil age: A scenario planning approach over the last peak oil of human history by 2040. *Journal of Petroleum Science and Engineering* 188: 106827, doi:10.1016/j.petrol.2019.106827.
- Noy, I. (2023). Economists are not engaged enough with the ipcc. *npj Climate Action* 2, doi: 10.1038/s44168-023-00064-3.
- O'Neill, B. C., Carter, T. R., Ebi, K., Harrison, P. A., Kemp-Benedict, E., Kok, K., Kriegler, E., Preston, B. L., Riahi, K., Sillmann, J., Ruijven, B. J. van, Vuuren, D. van, Carlisle, D., Conde, C., Fuglestvedt, J., Green, C., Hasegawa, T., Leininger, J., Monteith, S. and Pichs-Madruga, R. (2020). Achievements and needs for the climate change scenario framework. *Nature Climate Change* 10: 1074–1084, doi:10.1038/s41558-020-00952-0.
- Oswald, Y., Owen, A. and Steinberger, J. K. (2020). Large inequality in international and intranational energy footprints between income groups and across consumption categories. *Nature Energy* 5: 231–239, doi:10.1038/s41560-020-0579-8.
- Otero, I., Farrell, K. N., Pueyo, S., Kallis, G., Kehoe, L., Haberl, H., Plutzer, C., Hobson, P., García-Márquez, J., Rodríguez-Labajos, B., Martin, J., Erb, K., Schindler, S., Nielsen, J., Skorin, T., Settele, J., Essl, F., Gómez-Baggethun, E., Brotons, L., Rabitsch, W., Schneider, F. and Pe'er, G. (2020). Biodiversity policy beyond economic growth. *Conservation Letters* 13, doi: 10.1111/conl.12713.
- Pachauri, S., Pelz, S., Bertram, C., Kreibich, S., Rao, N. D., Sokona, Y. and Riahi, K. (2022). Fairness considerations in global mitigation investments. *Science* 378: 1057–1059, doi:10.1126/science.adf0067.
- Palmer, G. (2018). A biophysical perspective of IPCC integrated energy modelling. *Energies* 11: 839, doi:10.3390/en11040839.
- Pauliuk, S., Arvesen, A., Stadler, K. and Hertwich, E. G. (2017). Industrial ecology in integrated assessment models. *Nature Climate Change* 7: 13–20, doi:10.1038/nclimate3148.
- Pauliuk, S., Fishman, T., Heeren, N., Berrill, P., Tu, Q., Wolfram, P. and Hertwich, E. G. (2020). Linking service provision to material cycles: A new framework for studying the resource efficiency–climate change (RECC) nexus. *Journal of Industrial Ecology* 25: 260–273, doi: 10.1111/jiec.13023.
- Pauliuk, S. and Heeren, N. (2019). ODYM—an open software framework for studying dynamic material systems: Principles, implementation, and data structures. *Journal of Industrial Ecology* 24: 446–458, doi:10.1111/jiec.12952.
- Pedersen, J. S. T., Gomes, C. M., Gupta, J., Vuuren, D. van, Santos, F. D. and Swart, R. (2022a). The policy-relevance of emission scenarios: Policymakers require simpler, relevant, and more communicative scenarios. *SSRN Electronic Journal* doi:10.2139/ssrn.4073175.
- Pedersen, J. S. T., Vuuren, D. P. van, Aparício, B. A., Swart, R., Gupta, J. and Santos, F. D. (2020). Variability in historical emissions trends suggests a need for a wide range of global scenarios and regional analyses. *Communications Earth & Environment* 1, doi: 10.1038/s43247-020-00045-y.
- Pedersen, J. T. S., Vuuren, D. van, Gupta, J., Santos, F. D., Edmonds, J. and Swart, R. (2022b). IPCC emission scenarios: How did critiques affect their quality and relevance 1990–2022? *Global Environmental Change* 75: 102538, doi:10.1016/j.gloenvcha.2022.102538.
- Pehl, M., Arvesen, A., Humpenöder, F., Popp, A., Hertwich, E. G. and Luderer, G. (2017). Understanding future emissions from low-carbon power systems by integration of life-cycle assessment and integrated energy modelling. *Nature Energy* 2: 939–945, doi:10.1038/s41560-017-0032-9.
- Peters, G. P., Al Khouradajie, A., Sognaes, I. and Sanderson, B. M. (2023). Ar6 scenarios database: an assessment of current practices and future recommendations. *npj Climate Action* 2, doi: 10.1038/s44168-023-00050-9.
- Pielke, R. and Ritchie, J. (2021a). Distorting the view of our climate future: The misuse and abuse of climate pathways and scenarios. *Energy Research & Social Science* 72: 101890, doi: 10.1016/j.erss.2020.101890.
- Pielke, R. and Ritchie, J. (2021b). How climate scenarios lost touch with reality. *Issues in Science and Technology* 37: 74–83.
- Pielke Jr, R., Burgess, M. G. and Ritchie, J. (2022). Plausible 2005–2050 emissions scenarios

- project between 2 °C and 3 °C of warming by 2100. *Environmental Research Letters* 17: 024027, doi:10.1088/1748-9326/ac4ebf.
- Pinto, R., Henriques, S. T., Brockway, P. E., Heun, M. K. and Sousa, T. (2023). The rise and stall of world electricity efficiency:1900–2017, results and insights for the renewables transition. *Energy* 269: 126775, doi:10.1016/j.energy.2023.126775.
- Poblete-Cazenave, M., Pachauri, S., Byers, E., Mastrucci, A. and Ruijven, B. van (2021). Global scenarios of household access to modern energy services under climate mitigation policy. *Nature Energy* 6: 824–833, doi:10.1038/s41560-021-00871-0.
- Pollitt, H. and Mercure, J.-F. (2017). The role of money and the financial sector in energy-economy models used for assessing climate and energy policy. *Climate Policy* 18: 184–197, doi:10.1080/14693062.2016.1277685.
- Proctor, J. C. (2023). Expanding the possible: exploring the role for heterodox economics in integrated climate-economy modeling. *Review of Evolutionary Political Economy* doi:10.1007/s43253-023-00098-7.
- Pulido-Sánchez, D., Capellán-Pérez, I., Castro, C. de and Frechoso, F. (2022). Material and energy requirements of transport electrification. *Energy & Environmental Science* 15: 4872–4910, doi:10.1039/d2ee00802e.
- Purvis, B. (2021). Modelling global futures: a comparison of 'limits to growth' and the use of integrated assessment models within the climate literature. *Conference of the System Dynamics Society*.
- Pye, S., Broad, O., Bataille, C., Brockway, P., Daly, H. E., Freeman, R., Gambhir, A., Geden, O., Rogan, F., Sanghvi, S., Tomei, J., Vorushylo, I. and Watson, J. (2020a). Modelling net-zero emissions energy systems requires a change in approach. *Climate Policy* 21: 222–231, doi:10.1080/14693062.2020.1824891.
- Pye, S., Butnar, I., Cronin, J., Welsby, D., Price, J., Dessens, O., Solano Rodríguez, B., Winning, M., Anandarajah, G., Scamman, D. and Keppo, I. (2020b). *The TIAM-UCL Model (Version 4.1.1) Documentation*.
- Rana, R. L., Lombardi, M., Giungato, P. and Tricase, C. (2020). Trends in Scientific Literature on Energy Return Ratio of Renewable Energy Sources for Supporting Policymakers. *Administrative Science* 10, doi:10.3390/admsci10020021.
- Ranjan, A., Kanitkar, T. and Jayaraman, T. (2023). A new scenario framework for equitable and climate-compatible futures doi:10.31219/osf.io/ge92t.
- Rao, N. D., Sauer, P., Gidden, M. and Riahi, K. (2019). Income inequality projections for the shared socioeconomic pathways (ssps). *Futures* 105: 27–39, doi:10.1016/j.futures.2018.07.001.
- Raskin, P. and Swart, R. (2020). Excluded futures: the continuity bias in scenario assessments. *Sustain. Earth* 3.
- Raugei, M. (2019). Net energy analysis must not compare apples and oranges. *Nature Energy* 4: 86–88, doi:10.1038/s41560-019-0327-0.
- Raugei, M., Leccisi, E. and Fthenakis, V. M. (2020). What are the energy and environmental impacts of adding battery storage to photovoltaics? a generalized life cycle assessment. *Energy Technology* 8: 1901146, doi:10.1002/ente.201901146.
- Realmonde, G., Drouet, L., Gambhir, A., Glynn, J., Hawkes, A., Köberle, A. C. and Tavoni, M. (2019). An inter-model assessment of the role of direct air capture in deep mitigation pathways. *Nature Communications* 10, doi:10.1038/s41467-019-10842-5.
- Režný, L. and Bureš, V. (2019). Energy transition scenarios and their economic impacts in the extended neoclassical model of economic growth. *Sustainability* 11: 3644, doi:10.3390/su11133644.
- Riahi, K., Vuuren, D. P. van, Kriegler, E., Edmonds, J., O'Neill, B. C., Fujimori, S., Bauer, N., Calvin, K., Dellink, R., Fricko, O., Lutz, W., Popp, A., Cuaresma, J. C., Kc, S., Leimbach, M., Jiang, L., Kram, T., Rao, S., Emmerling, J., Ebi, K., Hasegawa, T., Havlik, P., Humpenöder, F., Da Silva, L. A., Smith, S., Stehfest, E., Bosetti, V., Eom, J., Gernaat, D., Masui, T., Rogelj, J., Strefler, J., Drouet, L., Krey, V., Luderer, G., Harmsen, M., Takahashi, K., Baumstark, L., Doelman, J. C., Kainuma, M., Klimont, Z., Marangoni, G., Lotze-Campen, H., Obersteiner, M., Tabeau, A. and Tavoni, M. (2017). The Shared Socioeconomic Pathways and their energy, land use, and greenhouse gas emissions implications: An overview. *Global Environmental Change* 42: 153–168, doi:10.1016/j.gloenvcha.2016.05.009.

- Rising, J., Tedesco, M., Piontek, F. and Stainforth, D. A. (2022). The missing risks of climate change. *Nature* 610: 643–651, doi:10.1038/s41586-022-05243-6.
- Ritchie, J. and Dowlatabadi, H. (2017). Why do climate change scenarios return to coal? *Energy* 140: 1276–1291, doi:10.1016/j.energy.2017.08.083.
- Rivadeneira, N. R. and Carton, W. (2022). (in)justice in modelled climate futures: A review of integrated assessment modelling critiques through a justice lens. *Energy Research & Social Science* 92: 102781, doi:10.1016/j.erss.2022.102781.
- Robertson, S. (2020). Transparency, trust, and integrated assessment models: An ethical consideration for the intergovernmental panel on climate change. *WIREs Climate Change* 12, doi:10.1002/wcc.679.
- Rogner, H.-H. (1997). AN ASSESSMENT OF WORLD HYDROCARBON RESOURCES. *Annual Review of Energy and the Environment* 22: 217–262, doi:10.1146/annurev.energy.22.1.217.
- Rozenberg, J., Hallegatte, S., Vogt-Schilb, A., Sassi, O., Guivarch, C., Waisman, H. and Hourcade, J.-C. (2010). Climate policies as a hedge against the uncertainty on future oil supply. *Climatic Change* 101: 663–668, doi:10.1007/s10584-010-9868-8.
- Samsó, R., Blas, I. de, Perissi, I., Martelloni, G. and Solé, J. (2020). Scenario analysis and sensitivity exploration of the MEDEAS europe energy-economy-environment model. *Energy Strategy Reviews* 32: 100582, doi:10.1016/j.esr.2020.100582.
- Sanders, M., Serebriakova, A., Fragkos, P., Polzin, F., Egli, F. and Steffen, B. (2022). Representation of financial markets in macro-economic transition models—a review and suggestions for extensions. *Environmental Research Letters* 17: 083001, doi:10.1088/1748-9326/ac7f48.
- Santos, J., Domingos, T., Sousa, T. and Aubyn, M. S. (2018). Useful exergy is key in obtaining plausible aggregate production functions and recognizing the role of energy in economic growth: Portugal 1960–2009. *Ecological Economics* 148: 103–120, doi:10.1016/j.ecolecon.2018.01.008.
- Savin, I. and Bergh, J. van den (2022). Tired of climate targets? shift focus of ipcc scenarios from emission and growth targets to policies. *Annals of the New York Academy of Sciences* 1517: 5–10, doi:10.1111/nyas.14900.
- Scott, K., Smith, C. J., Lowe, J. A. and Garcia-Carreras, L. (2022). Demand vs supply-side approaches to mitigation: What final energy demand assumptions are made to meet 1.5 and 2 °c targets? *Global Environmental Change* 72: 102448, doi:10.1016/j.gloenvcha.2021.102448.
- Sekera, J. and Lichtenberger, A. (2020). Assessing carbon capture: Public policy, science, and societal need. *Biophysical Economics and Sustainability* 5, doi:10.1007/s41247-020-00080-5.
- Semieniuk, G., Holden, P. B., Mercure, J.-F., Salas, P., Pollitt, H., Jobson, K., Vercoulen, P., Chewpreecha, U., Edwards, N. R. and Viñuales, J. E. (2022). Stranded fossil-fuel assets translate to major losses for investors in advanced economies. *Nature Climate Change* 12: 532–538, doi:10.1038/s41586-022-01356-y.
- Semieniuk, G., Taylor, L., Rezai, A. and Foley, D. K. (2021). Plausible energy demand patterns in a growing global economy with climate policy. *Nature Climate Change* 11: 313–318, doi:10.1038/s41586-020-00975-7.
- Sers, M. R. (2022). Ecological macroeconomic assessment of meeting a carbon budget without negative emissions. *Global Sustainability* 5, doi:10.1017/sus.2022.2.
- Sgouridis, S., Csala, D. and Bardi, U. (2016). The sower’s way: quantifying the narrowing net-energy pathways to a global energy transition. *Environmental Research Letters* 11: 094009, doi:10.1088/1748-9326/11/9/094009.
- Sgouridis, S., Kimmich, C., Solé, J., Černý, M., Ehlers, M.-H. and Kerschner, C. (2022). Visions before models: The ethos of energy modeling in an era of transition. *Energy Research & Social Science* 88: 102497, doi:10.1016/j.erss.2022.102497.
- Sherwood, J., Carbajales-Dale, M. and Haney, B. R. (2020). Putting the biophysical (back) in economics: A taxonomic review of modeling the earth-bound economy. *Biophysical Economics and Sustainability* 5, doi:10.1007/s41247-020-00069-0.
- Skea, J., Shukla, P., Hourdajie, A. A. and McCollum, D. (2021). Intergovernmental panel on climate change: Transparency and integrated assessment modeling. *WIREs Climate Change* 12, doi:10.1002/wcc.727.
- Slameršak, A., Kallis, G. and O’Neill, D. W. (2022). Energy requirements and carbon emissions for a low-carbon energy transition. *Nature Communications* 13, doi:10.1038/s41467-022-33976-5.

- Solé, J., Samsó, R., García-Ladona, E., García-Olivares, A., Ballabrera-Poy, J., Madurell, T., Turiel, A., Osychenko, O., Álvarez, D., Bardi, U., Baumann, M., Buchmann, K., Capellán-Pérez, Í., Černý, M., Carpintero, Ó., de Blas, I., Castro, C. D., Lathouwer, J.-D. D., Duce, C., Egger, L., Enríquez, J., Falsini, S., Feng, K., Ferreras, N., Frechoso, F., Hubacek, K., Jones, A., Kacálková, R., Kerschner, C., Kimmich, C., Lobejón, L., Lomas, P., Martelloni, G., Mediavilla, M., Miguel, L., Natalini, D., Nieto, J., Nikolaev, A., Parrado, G., Papagianni, S., Perissi, I., Ploiner, C., Radulov, L., Rodrigo, P., Sun, L. and Theofilidi, M. (2020). Modelling the renewable transition: Scenarios and pathways for a decarbonized future using pymedeas, a new open-source energy systems model. *Renewable and Sustainable Energy Reviews* 132: 110105, doi:10.1016/j.rser.2020.110105.
- Spangenberg, J. and Polotzek, L. (2019). Like blending chalk and cheese – the impact of standard economics in IPCC scenarios. *Real World Economics Review* 87: 196–212.
- Steenwyk, P., Heun, M. K., Brockway, P., Sousa, T. and Henriques, S. (2022). The contributions of muscle and machine work to land and labor productivity in world agriculture since 1800. *Biophysical Economics and Sustainability* 7, doi:10.1007/s41247-022-00096-z.
- Steffen, B., Hischer, D. and Schmidt, T. S. (2018). Historical and projected improvements in net energy performance of power generation technologies. *Environmental Science & Technology* 11: 3524–3530, doi:10.1039/c8ee01231h.
- Stehfest, E., van Vuuren, D., Kram, T., Bouwman, L., Alkemade, R., Bakkenes, M., Biemans, H., Bouwman, A., den Elzen, M., Janse, J., Lucas, P., van Minnen, J., Muller, C. and Prins, A. (2014). *Integrated assessment of global environmental change with IMAGE 3.0: Model description and policy applications*.
- Stern, N., Stiglitz, J. and Taylor, C. (2022). The economics of immense risk, urgent action and radical change: towards new approaches to the economics of climate change. *Journal of Economic Methodology* 29: 181–216, doi:10.1080/1350178x.2022.2040740.
- Süsser, D., Rakouki, H. al and Lilliestam, J. (2021). The QTDIAN modelling toolbox–Quantification of social drivers and constraints of the diffusion of energy technologies. Deliverable 2.3. Sustainable Energy Transitions Laboratory (SENTINEL) project. Tech. rep., Institute for Advanced Sustainability Studies (IASS), doi:10.48481/IASS.2021.015.
- Svartzman, R., Dron, D. and Espagne, E. (2019). From ecological macroeconomics to a theory of endogenous money for a finite planet. *Ecological Economics* 162: 108–120, doi:10.1016/j.ecolecon.2019.04.018.
- Sverdrup, H. U., Olafsdottir, A. H. and Ragnarsdottir, K. V. (2021). Development of a biophysical economics module for the global integrated assessment model WORLD7. In *Feedback Economics*. Springer International Publishing, 247–283, doi:10.1007/978-3-030-67190-7\_10.
- Szetey, K., Moallemi, E., Chakori, S. and Bryan, B. A. (2023). Improving the relevance of the shared socioeconomic pathways for sustainability science doi:10.31223/x5dm3g.
- The Shift Project (2020). The European Union is likely to face strong constraints on oil supplies between now and 2030 - Prudential prospective analysis. Tech. rep., The Shift Project.
- Tripathi, V. S. and Brandt, A. R. (2017). Estimating decades-long trends in petroleum field energy return on investment (EROI) with an engineering-based model. *PLOS ONE* 12: e0171083, doi: 10.1371/journal.pone.0171083.
- Trutnevyte, E., Hirt, L. F., Bauer, N., Cherp, A., Hawkes, A., Edelenbosch, O. Y., Pedde, S. and Vuuren, D. P. van (2019). Societal transformations in models for energy and climate policy: The ambitious next step. *One Earth* 1: 423–433, doi:10.1016/j.oneear.2019.12.002.
- Verbruggen, A. and Graaf, T. V. de (2013). Peak oil supply or oil not for sale? *Futures* 53: 74–85, doi:10.1016/j.futures.2013.08.005.
- Verbruggen, A. and Marchohi, M. A. (2010). Views on peak oil and its relation to climate change policy. *Energy Policy* 38: 5572–5581, doi:10.1016/j.enpol.2010.05.002.
- Victoria, M., Haegel, N., Peters, I. M., Sinton, R., Jäger-Waldau, A., Cañizo, C. del, Breyer, C., Stocks, M., Blakers, A., Kaizuka, I., Komoto, K. and Smets, A. (2021). Solar photovoltaics is ready to power a sustainable future. *Joule* 5: 1041–1056, doi:10.1016/j.joule.2021.03.005.
- Vidal, O., Le Boulzec, H., Andrieu, B. and Verzier, F. (2021). Modelling the Demand and Access of Mineral Resources in a Changing World. *Sustainability* 14: 11, doi:10.3390/su14010011.
- Vuuren, D. P. van, Stehfest, E., Gernaat, D. E. H. J., Berg, M. van den, Bijl, D. L., Boer, H. S. de, Daiglou, V., Doelman, J. C., Edelenbosch, O. Y., Harmsen, M., Hof, A. F. and Sluisveld,



- M. A. E. van (2018). Alternative pathways to the 1.5 °C target reduce the need for negative emission technologies. *Nature Climate Change* 8: 391–397, doi:10.1038/s41558-018-0119-8.
- Waisman, H., Guivarch, C., Grazi, F. and Hourcade, J. C. (2012a). The imaclim-r model: infrastructures, technical inertia and the costs of low carbon futures under imperfect foresight. *Climatic Change* 114: 101–120, doi:10.1007/s10584-011-0387-z.
- Waisman, H., Rozenberg, J., Sassi, O. and Hourcade, J.-C. (2012b). Peak oil profiles through the lens of a general equilibrium assessment. *Energy Policy* 48: 744–753, doi:10.1016/j.enpol.2012.06.005.
- Wang, J., Feng, L., Tang, X., Bentley, Y. and Höök, M. (2017). The implications of fossil fuel supply constraints on climate change projections: A supply-side analysis. *Futures* 86: 58–72, doi:10.1016/j.futures.2016.04.007.
- Warszawski, L., Kriegler, E., Lenton, T. M., Gaffney, O., Jacob, D., Klingensfeld, D., Koide, R., Costa, M. M., Messner, D., Nakicenovic, N., Schellnhuber, H. J., Schlosser, P., Takeuchi, K., Leeuw, S. V. D., Whiteman, G. and Rockström, J. (2021). All options, not silver bullets, needed to limit global warming to 1.5 °C: a scenario appraisal. *Environmental Research Letters* 16: 064037, doi:10.1088/1748-9326/abfeec.
- Way, R., Ives, M. C., Mealy, P. and Farmer, J. D. (2022). Empirically grounded technology forecasts and the energy transition. *Joule* 6: 2057–2082, doi:10.1016/j.joule.2022.08.009.
- Welsby, D., Price, J., Pye, S. and Ekins, P. (2021). Unextractable fossil fuels in a 1.5 °C world. *Nature* 597: 230–234, doi:10.1038/s41586-021-03821-8.
- White, E. and Kramer, G. J. (2019). The changing meaning of energy return on investment and the implications for the prospects of post-fossil civilization. *One Earth* 1: 416–422, doi:10.1016/j.oneear.2019.11.010.
- Wigley, T. M., Hong, S. and Brook, B. W. (2021). Value-added diagnostics for the assessment and validation of integrated assessment models. *Renewable and Sustainable Energy Reviews* 152: 111605, doi:10.1016/j.rser.2021.111605.
- Wilson, C., Grubler, A., Nemet, G., Pachauri, S., Pauliuk, S. and Wiedenhofer, D. (2023). The 'high-with-low' scenario narrative: Key themes, cross-cutting linkages, and implications for modelling. *IIASA Working Paper* .
- Xiao, M., Junne, T., Haas, J. and Klein, M. (2021). Plummeting costs of renewables - are energy scenarios lagging? *Energy Strategy Reviews* 35: 100636, doi:10.1016/j.esr.2021.100636.