



**HAL**  
open science

# Asymptotic multiscale approach for building dispersion curves: the generic case

Antoine Rallu, Claude Boutin, Stéphane Hans

► **To cite this version:**

Antoine Rallu, Claude Boutin, Stéphane Hans. Asymptotic multiscale approach for building dispersion curves: the generic case. 25th International Congress of Theoretical and Applied Mechanics (ICTAM), Aug 2021, Milan, Italy. . hal-04294881

**HAL Id: hal-04294881**

**<https://hal.science/hal-04294881>**

Submitted on 20 Nov 2023

**HAL** is a multi-disciplinary open access archive for the deposit and dissemination of scientific research documents, whether they are published or not. The documents may come from teaching and research institutions in France or abroad, or from public or private research centers.

L'archive ouverte pluridisciplinaire **HAL**, est destinée au dépôt et à la diffusion de documents scientifiques de niveau recherche, publiés ou non, émanant des établissements d'enseignement et de recherche français ou étrangers, des laboratoires publics ou privés.

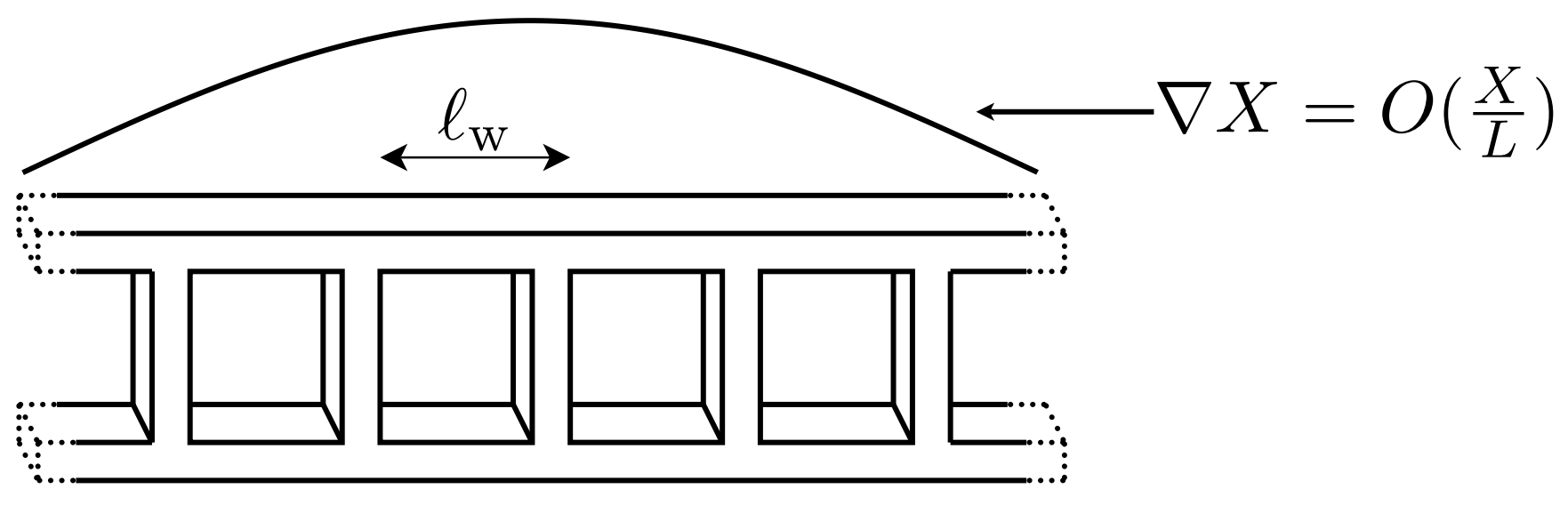


Distributed under a Creative Commons Attribution 4.0 International License

## Motivation

Global description of transversal macroscopic dynamics of reticulated beams for wavelengths  $L$  on the order of the cell size  $\ell_w$ ?

Classical homogenization :

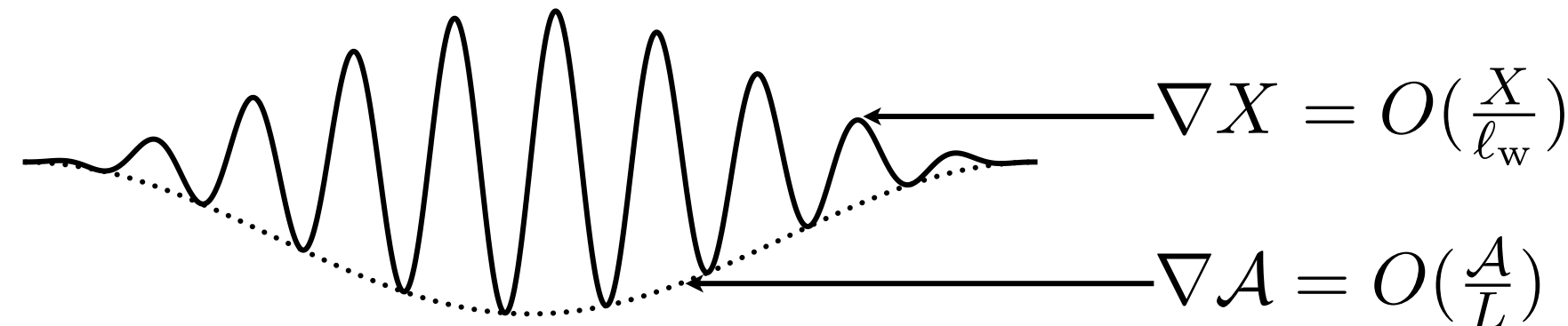


$L \gg \ell_w$

Quasi-static local

Scale separation :  $X$

At higher frequencies :



$L' \approx \ell_w$

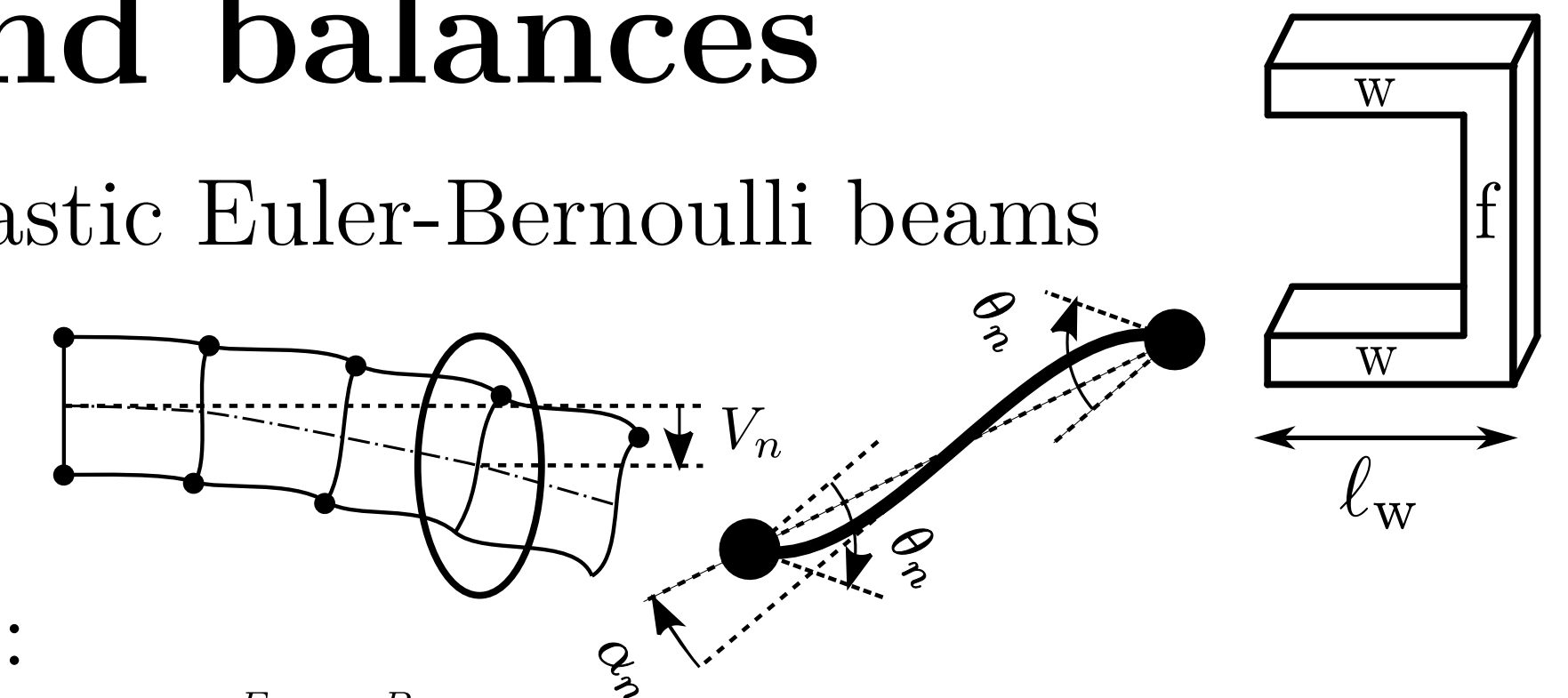
Dynamic local

Scale separation : amplitude  $\mathcal{A}$  of the periodic modes (ref [1], [2], [3], [4])

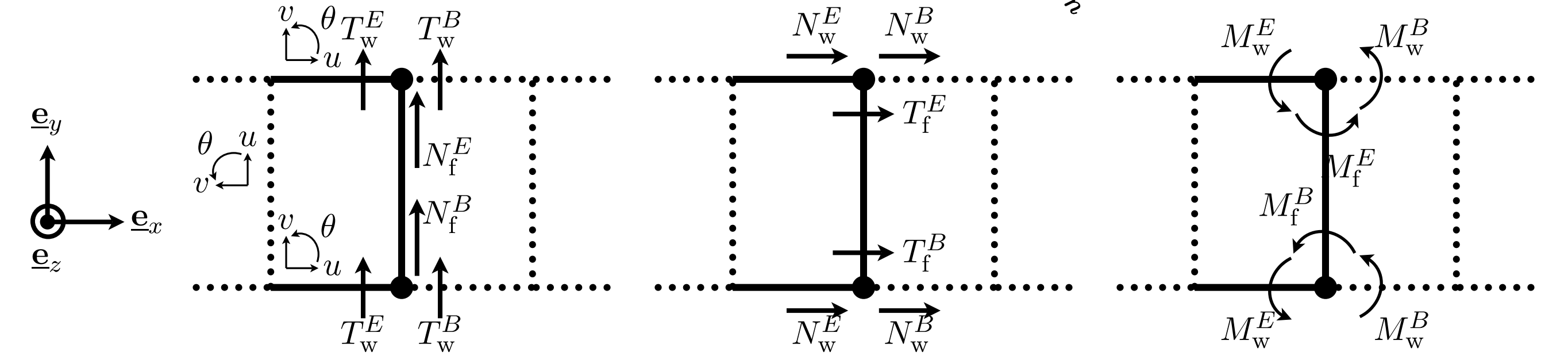
## Kinematics and balances

● Period  $\Omega$  : 3 linear elastic Euler-Bernoulli beams

● Transversal kinematics



● Balances at each level :



$$\text{Transversal balance : } \underline{\underline{H}}^{EB} \cdot \underline{\underline{v}}_{n-1} + \underline{\underline{H}}_T \cdot \underline{\underline{v}}_n + \underline{\underline{H}}^{EB} \cdot \underline{\underline{v}}_{n+1} = \underline{\underline{0}} \quad (1)$$

## Dispersion equations

Introducing  $\underline{\underline{v}}_n = (\frac{1}{2}\alpha_n \ell_f, V_n, \theta_n) = \underline{\underline{v}}_0 e^{-ik_\omega n \ell_w}$  ;  $k_\omega \in [0, \frac{\pi}{\ell_w}[$

$$\text{into (1) yields : } \underline{\underline{D}}_T \cdot \underline{\underline{v}}_0 = \begin{bmatrix} \tilde{a}_T & 0 & b_T \\ 0 & \tilde{c}_T & \tilde{e}_T \\ b_T & -\tilde{e}_T & \tilde{d}_T \end{bmatrix} \cdot \underline{\underline{v}}_0 = \underline{\underline{0}}$$

$$\text{Dispersion of the transversal waves : } \mathcal{E}_T(\omega, k_\omega) = 0 = \det(\underline{\underline{D}}_T)$$

## Bloch modes

● Consider  $\Omega_p = \bigcup_p \Omega$  of length  $\ell_p = p \ell_w$

● Eigenmodes  $\{\underline{\underline{\Phi}}^J, \underline{\underline{\Psi}}^J\}$  of  $\Omega_p$  with periodic boundary conditions

● Periodic wavenumbers (Bloch numbers) :  $k_{\omega_J} = \frac{2\pi q}{\ell} \in [0, \frac{\pi}{\ell}[$

● Eigenfrequencies of are solutions of :  $\mathcal{E}_T(\omega_J, k_{\omega_J}) = 0$

## Asymptotic approach (see [1])

● Scale ratio  $\varepsilon_p = \ell_p \kappa_\omega / 2\pi \ll 1$  where  $\kappa_\omega$  modulation number

● Rescale parameters : Lineic mass  $\Lambda_f = O(\varepsilon_p^2 \Lambda_w)$  ; Bending stiffness  $K_f = O(\varepsilon_p^2 K_w)$  ; Compression stiffness  $EA_f = O(\varepsilon_p EA_w)$

● Leading order kinematics :  $\underline{\underline{v}}(x) = \mathcal{A}(x) \underline{\underline{\Phi}}^J + \mathcal{B}(x) \underline{\underline{\Psi}}^J$  ( $\mathcal{A}, \mathcal{B}$ ) modulation amplitudes of the (simple or double) modes  $\{\underline{\underline{\Phi}}^J, \underline{\underline{\Psi}}^J\}$

● Dispersion relation :  $k_\omega = \frac{2\pi q}{\ell_w p} + \kappa_\omega$  with  $\kappa_\omega \ll \frac{2\pi q}{\ell_w p}$  introducing  $\mathcal{A}(x) = \mathcal{A}_0 e^{-i\kappa_\omega x}$  in the modulation equations

## Numerical values

$$\Lambda_w = 15.6 \text{ kg/m} = 8\Lambda_f ; K_f = 0.5 \text{ MN} = 8K_w ; EA_w = 21.9 \text{ MN} = 2EA_f$$

## Modulation equations

● Modulation based on  $\Omega$  ( $k_\omega = 0$ )

Generic beam

$$\omega_J = 0 : \frac{2EI_w EI_s}{K_f} V^{(6)} - (2EI_w + EI_s) V^{(4)} - \frac{EI_s \Lambda_w \omega^2}{K_f} V^{(2)} + \Lambda_w \omega^2 V = 0$$

$$\text{Shear stress } T = -K_w (V' - \alpha)$$

$$\mathcal{T}' = (T - M_I')' = \Lambda_w \omega^2 V$$

$$\text{Global moment } M_G = -EI_s \alpha'$$

$$M_G' = -T$$

$$\text{Intern moment } M_I = -2EI_w V^{(2)}$$

$$K_w (V' - \theta) = 0$$

$$\omega_J > 0 : \mathcal{M}_{\Omega}^J(\omega)(\omega^2 - \omega_J^2) \mathcal{A} + \mathcal{K}_{\Omega}^J(\omega) \mathcal{A}^{(2)} = 0$$

● Modulation based on  $\Omega_2$  ( $k_\omega = \frac{\pi}{\ell_w}$ ) (specific simple modes of  $\Omega_2$ )

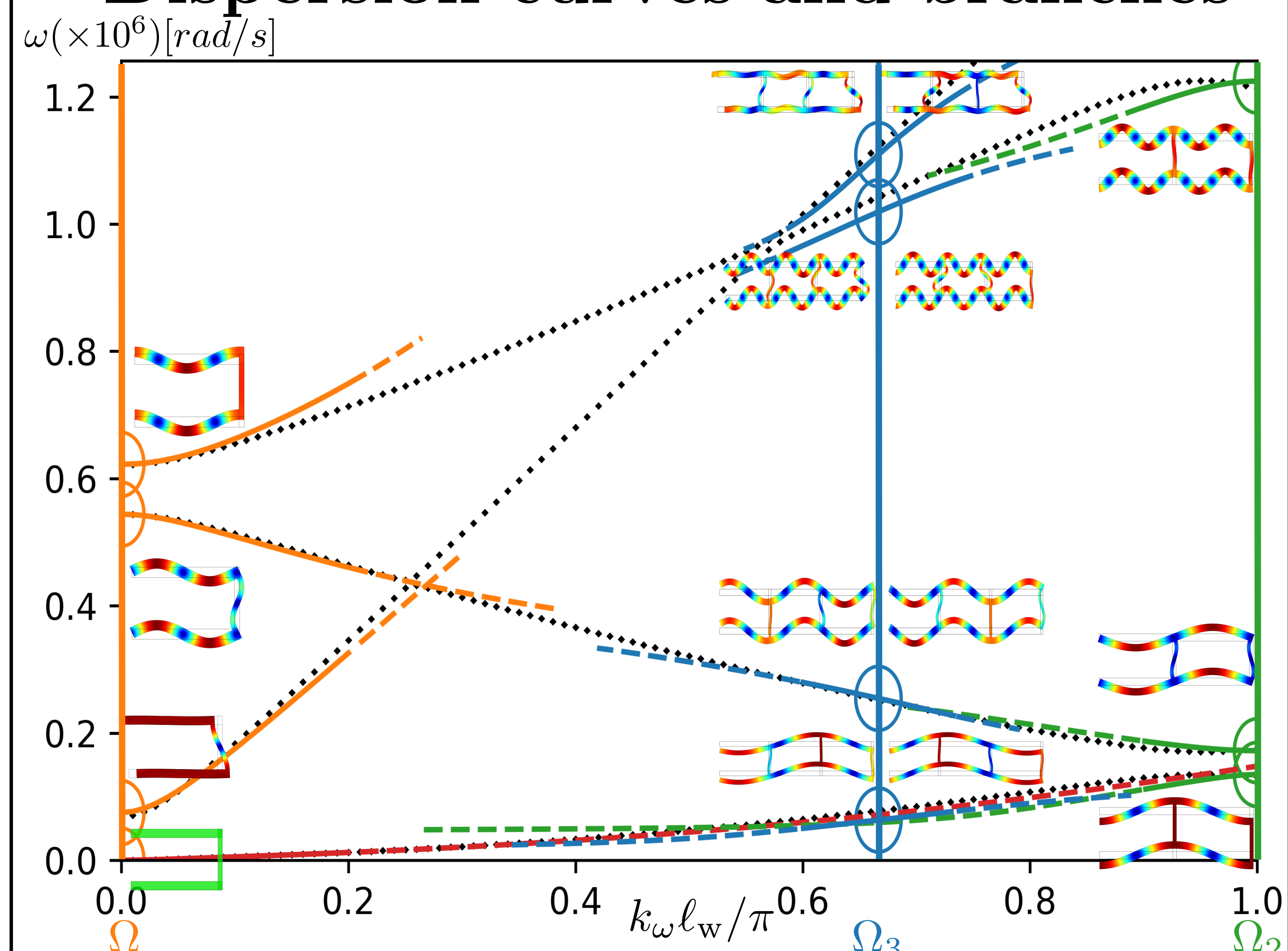
$$\mathcal{M}_{\Omega_2}^J(\omega)(\omega^2 - \omega_J^2) \mathcal{A} + \mathcal{K}_{\Omega_2}^J(\omega) \mathcal{A}^{(2)} = 0$$

● Modulation based on  $\Omega_3$  ( $k_\omega = \frac{2\pi}{3\ell_w}$ ) (specific double modes of  $\Omega_3$ )

$$\left. \begin{aligned} \mathcal{A}_{\Omega_3}^J(\omega) \mathcal{B}' + \mathcal{B}_{\Omega_3}^J(\omega)(\omega - \omega_J) \mathcal{A} &= 0 \\ \mathcal{A}_{\Omega_3}^J(\omega) \mathcal{A}' - \mathcal{B}_{\Omega_3}^J(\omega)(\omega - \omega_J) \mathcal{B} &= 0 \end{aligned} \right\} \Rightarrow \mathcal{M}_{\Omega_3}^J(\omega)(\omega - \omega_J)^2 \mathcal{A} + \mathcal{K}_{\Omega_3}^J(\omega) \mathcal{A}^{(2)} = 0$$

Simple reconstruction by three parts

## Dispersion curves and branches



[1] A. Rallu, S. Hans, and C. Boutin, "Asymptotic analysis of high-frequency modulation in periodic systems. Analytical study of discrete and continuous structures," J. Mech. Phys. Solids, vol. 117, pp. 123–156, 2018  
 [2] E. M. Daya, B. Braikat, N. Damil, and M. Potier-Ferry, "Continuum modeling for the modulated vibration modes of large repetitive structures," 2002.  
 [3] R. V. Craster, J. Kaplunov, and A. V. Pichugin, "High-frequency homogenization for periodic media," Proc. R. Soc. A Math. Phys. Eng. Sci., vol. 466, no. 2120, pp. 2341–2362, Aug. 2010.  
 [4] C. Boutin, A. Rallu, and S. Hans, "Large scale modulation of high frequency acoustic waves in periodic porous media.," J. Acoust. Soc. Am., vol. 132, no. 6, pp. 3622–36, Dec. 2012,