



HAL
open science

Interaction of micrometric droplets with a turbulent plane air jet impacting a wall

Xavier Nicolas, Syphax Ikardouchene, Stéphane Delaby

► **To cite this version:**

Xavier Nicolas, Syphax Ikardouchene, Stéphane Delaby. Interaction of micrometric droplets with a turbulent plane air jet impacting a wall. *Turbulence and Interactions - TI2022*, May 2022, Procchio, Italy. hal-04287684

HAL Id: hal-04287684

<https://hal.science/hal-04287684v1>

Submitted on 15 Nov 2023

HAL is a multi-disciplinary open access archive for the deposit and dissemination of scientific research documents, whether they are published or not. The documents may come from teaching and research institutions in France or abroad, or from public or private research centers.

L'archive ouverte pluridisciplinaire **HAL**, est destinée au dépôt et à la diffusion de documents scientifiques de niveau recherche, publiés ou non, émanant des établissements d'enseignement et de recherche français ou étrangers, des laboratoires publics ou privés.

Interaction of micrometric droplets with a turbulent plane air jet impacting a wall

Xavier NICOLAS^a, Syphax IKARDOUCHE^{a,b}, Stéphane DELABY^b

^a Univ. Gustave Eiffel, MSME UMR 8208 CNRS, 5 bd Descartes, 77454 Marne-la-Vallée Cedex 2, France ;

^b CSTB, 24 rue Joseph Fourier, 38400 Saint-Martin-d'Hères, France

Experiments and Large Eddy Simulations are carried out to study the interaction of spherical particles (micrometric oil droplets) with a turbulent air jet impacting a wall. The context is that of the dynamical air curtains used to separate a contaminated atmosphere with passive particles from a clean atmosphere.

In the experiment, the impacting air jet configuration is similar to that of [1, 2]. The aspect ratio H/e of the jet is equal to ten (see Fig. 1). A spinning disk is used to produce oil droplets close to the air jet. The droplet diameter varies in the range $0.35 \mu\text{m} \leq d_p \leq 7 \mu\text{m}$. Measurements are based on particle image velocimetry and optical particle counting. The jet and particle Reynolds numbers and the jet and turbulence Stokes numbers are respectively equal to $Re_j = 13500$, $0.33 \leq Re_p \leq 3.5$, $0.02 \leq St_j \leq 0.35$ and $0.1 \leq St_t \leq 1$. The passing rate of the particles (PPR) that cross the air jet is analyzed according to the particle size distribution. Whatever the droplet size is, the PPR increases with time due to the presence of two large vortices on each side of the air jet. The time averaged PPR is shown to decrease with respect to the particle diameter.

Numerical simulations of the experimental configuration are carried out with the commercial code ANSYS/Fluent, with the LES Wale model for the air flow and a stochastic Lagrangian model for the particle transport (see Fig. 2). The droplet collision and coalescence are accounted for thanks to O'Rourke's model [3]. The LES solutions for the air jet are validated through comparisons with numerous literature results. The high frequencies due to the Kelvin-Helmholtz (KH) roll passing and the low frequencies of the oscillating jet are detected in the spectra. The PPR is analyzed according to the particle size and compares favorably with the experiments, only when the coalescence of the oil droplets and their deposit on the wall are accounted for. The vertical profiles of the PPR along the jet axis are also analyzed to detect the weak zones of the jet in its role of dynamical air curtain.

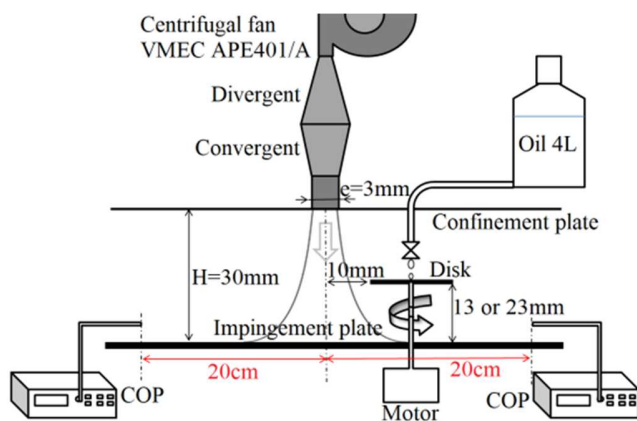


Fig. 1: Scheme of the experimental setup

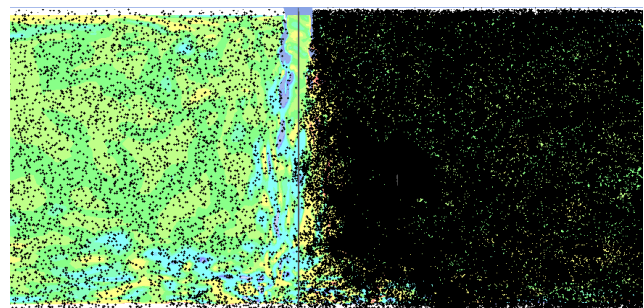


Fig. 2: Numerical simulation : vorticity and particle fields on both sides of the vertical air jet, at time $t=100$ ms. On the right : zone contaminated by particles. On the left : initially clean air zone.

- [1] S. Maurel, C. Sollic, A turbulent plane jet impinging nearby and far from a plate, *Exp in Fluids*, 31(6) (2001) 687-696.
- [2] F. Beaubert, S. Viazzo, Large eddy simulations of plane turbulent impinging jets, *Int. J. Heat Fluid Flow*, 24 (2003) 512-519.
- [3] P. J. O'Rourke, Collective drop effects on vaporizing liquid sprays. PhD thesis, University of Princeton, 1981.