



HAL
open science

Digital control of residual amplitude modulation at the 10⁻⁷ level for ultra-stable lasers

Jonathan Gillot, Santerelli Falzon Tetsing Talla, Severine Denis, Gwenhaël Goavec-Merou, Jacques Millo, Clément Lacroute, Yann Kersalé

► **To cite this version:**

Jonathan Gillot, Santerelli Falzon Tetsing Talla, Severine Denis, Gwenhaël Goavec-Merou, Jacques Millo, et al.. Digital control of residual amplitude modulation at the 10⁻⁷ level for ultra-stable lasers. *Optics Express*, 2022, 30 (20), pp.35179 - 35188. 10.1364/OE.465597 . hal-04257682

HAL Id: hal-04257682

<https://hal.science/hal-04257682v1>

Submitted on 25 Oct 2023

HAL is a multi-disciplinary open access archive for the deposit and dissemination of scientific research documents, whether they are published or not. The documents may come from teaching and research institutions in France or abroad, or from public or private research centers.

L'archive ouverte pluridisciplinaire **HAL**, est destinée au dépôt et à la diffusion de documents scientifiques de niveau recherche, publiés ou non, émanant des établissements d'enseignement et de recherche français ou étrangers, des laboratoires publics ou privés.



Digital control of residual amplitude modulation at the 10^{-7} level for ultra-stable lasers

JONATHAN GILLOT, *  SANTERELLI FALZON TETSING-TALLA, SÉVERINE DENIS, GWENHAËL GOAVEC-MEROU, JACQUES MILLO, CLÉMENT LACROÛTE,  AND YANN KERSALÉ

FEMTO-ST, CNRS, Université de Bourgogne-Franche-Comté, ENSMM, 26, rue de l'Épitaphe, 25000 Besançon, France

*jonathan.gillot@femto-st.fr

Abstract: The stabilization of lasers on ultra-stable optical cavities by the Pound-Drever-Hall (PDH) technique is a widely used method. The PDH method relies on the phase-modulation of the laser, which is usually performed by an electro-optic modulator (EOM). When approaching the 10^{-16} fractional frequency stability level, this technology requires an active control of the residual amplitude modulation (RAM) generated by the EOM in order to bring the frequency stability of the laser down to the thermal noise limit of the ultra-stable cavity. In this article, we report on the development of an active system of RAM reduction based on a free space EOM, which is used to perform PDH-stabilization of a laser on a cryogenic silicon cavity. A minimum RAM instability of 1.4×10^{-7} is obtained by employing a digital servo that stabilizes the EOM DC electric field, the crystal temperature and the laser power. Considering an ultra-stable cavity with a finesse of 2.5×10^5 , this RAM level would contribute to the fractional frequency instability at the level of about 5×10^{-19} , well below the state of the art thermal noise limit of a few 10^{-17} .

© 2022 Optica Publishing Group under the terms of the [Optica Open Access Publishing Agreement](#)

1. Introduction

Lasers stabilized to ultra-stable optical cavities are widely spread devices for precise fundamental experiments like gravitational waves detectors [1,2], spectroscopy [3], frequency standards [4–11] and tests of Lorentz invariance violation [12–15]. The Pound-Drever-Hall (PDH) technique [16] enables the frequency stabilization of lasers at a great level of precision, and state of the art fractional frequency stabilities are better than $\sigma_y = 10^{-16}$ [8,17].

The continuous improvement of the stability of optical cavities faces several technical challenges *e.g.* mechanical vibrations, fluctuations in laser power, or thermal noise. Among them, some stray effects grouped under the term of residual amplitude modulation (RAM) are responsible for an uncontrolled offset on the servo error signal that deteriorates the laser frequency stability. The PDH stabilization method requires phase modulation of the laser. While recently demonstrated with an acousto-optic modulator (AOM) [18], the phase modulation is generally applied by an electro-optic modulator crystal (EOM) which generates sidebands on the optical carrier. RAM arises from several origins [19] including a polarization mismatch between the extraordinary axis of the EOM crystal and the polarization plane of the light [20], parasitic interferences in the EOM giving birth to etalon effects [21,22], etalon effects in optics downstream of the EOM [23,24] or some spatial inhomogeneities of the laser beam [25].

Passive suppression of RAM in EOMs has been demonstrated using wedged crystal ends [26–29], and RAM can also be actively suppressed by acting on the EOM DC bias [20,30,31], the EOM temperature [32], or both [33]. Using digital electronics, we combine the stabilization of the laser power and EOM temperature to an active RAM suppression servo acting on the EOM DC input. We achieve a minimum RAM level of 1.4×10^{-7} , compatible with a fractional frequency stability of 5×10^{-19} for a cavity finesse of 2.5×10^5 .

2. Analysis

The RAM in EOMs has been described theoretically in previous articles including [20,21], and several approaches and definitions can be found in the literature. We provide here the theoretical framework and definitions for the measurements presented in section 3.

The polarization of the laser beam before and after the EOM is defined with the help of two polarizers P_1 and P_2 . The axis of P_1 and P_2 and the z -axis of the crystal are forming respectively the angles θ and γ (Fig. 1). The expression of the optical field with amplitude E_0 projected onto the z -axis after the EOM output polarizer P_2 [20] is:

$$E(t) = E_0 e^{j\omega t} \left[a e^{j(\Phi_x + \beta_x \sin(\Omega t))} + b e^{j(\Phi_z + \beta_z \sin(\Omega t))} \right] \quad (1)$$

where $a = \sin \theta \sin \gamma$ and $b = \cos \theta \cos \gamma$ are the alignment factors sensitive to the temperature and stress-related effects, while ω and Ω are the angular frequency of the laser and the EOM radiofrequency (RF) modulation frequency, respectively. The phase shift due to the propagation in the crystal, that adds up to the shift induced by the applied DC voltage, is represented by Φ_x and Φ_z respectively for the x -axis and z -axis components. The phase shifts induced by the RF voltage are denoted β_x and β_z . These 4 coefficients are related to the size of the crystal, electro-optic coefficients and the electric field applied across the crystal [20]. Equation (1) can be developed to express the laser field:

$$E(t) = E_T \left(1 + m_0 e^{j\alpha} \sin(\Omega t) \right) e^{j(\omega t + \beta_z \sin(\Omega t))}. \quad (2)$$

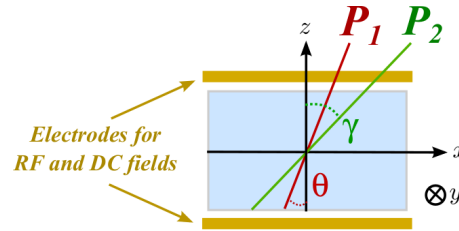


Fig. 1. Schematic front view of the EOM crystal. Light propagates along the y -axis. The light field is modulated in a plane defined by the z -axis, parallel to the extraordinary axis of the birefringent crystal. If the input and output polarizers P_1 and P_2 are not perfectly aligned with the z -axis, a stray residual amplitude modulation depending on the θ and γ angles appears.

With the assumption that the polarizers are imperfectly aligned with the z -axis, $a \ll b \approx 1$ and:

$$\begin{cases} m_0 \approx 2 \frac{a}{b} J_1(\xi) \\ \alpha \approx \Delta\Phi + \pi/2 \\ E_T \approx b E_0 e^{j\Phi_z} \end{cases} \quad (3)$$

in which $J_1(\xi)$ is the first order Bessel function with $\xi = \beta_x - \beta_z$ the resulting modulation depth. $\Delta\Phi = \Phi_x - \Phi_z$ models all phase fluctuations induced by birefringence variations such that:

$$\Delta\Phi = \Delta\phi_n + \Delta\phi_{T^\circ} + \Delta\phi_{DC} \quad (4)$$

where $\Delta\phi_n$ is the natural birefringence, $\Delta\phi_{T^\circ}$ stems from the temperature variations and $\Delta\phi_{DC}$ from the DC voltage phase shift.

Equation (2) describes an amplitude and phase modulated optical field, in which the amplitude modulation term $m = m_0 e^{i\alpha}$ is complex and introduces a phase shift of the amplitude modulated signal. By measuring the field $E(t)$ described by Eq. (2) with a photodiode of responsivity \mathcal{R} , we detect the RAM photo-current $i_{\text{RAM}}(t)$ at the modulation frequency $\Omega/2\pi$:

$$i_{\text{RAM}}(t) = -4 \mathcal{R} a b K E_0^2 J_1(\xi) \sin(\Delta\Phi) \sin(\Omega t) \quad (5)$$

with $K = J_0(\beta_z)^2 + 2J_1(\beta_z)^2 \simeq 0.96$ for $\beta_z = 1.08$ rad, the optimum phase modulation depth for the PDH technique [34]. K differs from 1 because the development of the phase modulation term has been limited to the first order and is approximated to 1 in the following. Equation (5) shows that one can null the RAM induced photo-current by carefully aligning the axis of the polarizers with the axis of the crystal: $\gamma = 0$ or $\theta = 0$ leads to $a = 0$ and $b = 1$. However, even with an extreme precision in aligning the polarizations of the light with the axis of the crystal, fluctuations of temperature and mechanical vibrations are noticeably acting on the polarization factors a and b . This fine alignment is thus degraded after a time that depends on the thermal insulation and the vibration attenuation of the optical table. Equation (5) shows that $i_{\text{RAM}}(t)$ is cancelled if $\Delta\Phi = 0$. A servo control acting on this phase by changing the EOM DC voltage or temperature is able to strongly reduce the RAM photo-current arising from polarization mismatch. Such control of $\Delta\Phi$ cancels only the real part of m :

$$M = \Re[m] \simeq -2 \frac{a}{b} J_1(\xi) \sin \Delta\Phi \quad (6)$$

and does not affect the modulus of the amplitude modulation index, m_0 in Eq. (3). M is identified as the effective amplitude modulation index that is used to characterize the RAM. The photo-current can be rewritten as follows:

$$i(t) = I_0 + i_{\text{RF}} \sin \Omega t$$

with $I_0 = \mathcal{R} P_\lambda$ the DC part of the signal and P_λ the optical carrier power. By identification with Eq. (6), the RF current peak value is $i_{\text{RF}} = 2 \mathcal{R} P_\lambda M$. While the ratio $i_{\text{RF}}/I_0 = 2M$ is used in many publications to estimate the level of RAM, we use M instead to avoid an overestimation by a factor 2. An error signal is obtained by applying IQ demodulation to the signal provided by the photodiode and a low pass filter to reject components at 2Ω :

$$\begin{cases} V_I(t) &= \frac{1}{2} A R k_m i_{\text{RF}} \cos \varphi \\ V_Q(t) &= -\frac{1}{2} A R k_m i_{\text{RF}} \sin \varphi \end{cases} \quad (7)$$

with R the equivalent resistance loading the photodiode, A the voltage gain of the RF amplification, k_m the conversion factor of the IQ mixer and φ the phase of the demodulation signal. When this phase is close to 0, the in-phase voltage is equal to:

$$V_I(t) \simeq A R k_m \mathcal{R} P_\lambda M. \quad (8)$$

V_I can be used as an error signal: it depends linearly on M and crosses 0. Under this condition, the quadrature term becomes small and proportional to possible fluctuations of φ , which makes it less relevant.

The impact of the RAM of the EOM when used in an ultra-stable laser based on a Fabry-Perot cavity can be estimated theoretically by looking at the contribution of M to the error signal of the PDH lock. We used the method proposed in [34] with an expression of the optical field corresponding to Eqs. (2) and (3) to calculate the photo-current at frequency $\Omega/2\pi$ provided

by the photodiode that collects the reflection of the cavity (we consider the case of a phase modulation frequency larger than the cavity linewidth and m_0^2 terms are neglected):

$$i_{\text{PDH}}(\delta\nu) = -4\mathcal{R}J_0(\beta_z)J_1(\beta_z)E_0^2 \sin(\Omega t) \left[\Im[F(\delta\nu)] - M \left(\Re[F(\delta\nu)] \left(\frac{1}{2\rho} + \rho \right) - \frac{1}{2}\rho \right) + m_0 \cos(\Delta\Phi) \Im[F(\delta\nu)] \left(\frac{1}{2\rho} - \rho \right) \right] \quad (9)$$

with $\rho = J_1(\beta_z)/J_0(\beta_z)$. $\Re[F(\delta\nu)]$ and $\Im[F(\delta\nu)]$ are respectively the real and imaginary part of the cavity coefficient of reflection $F(\delta\nu)$ where $\delta\nu$ is the frequency detuning between the laser and the cavity. After the demodulation, the first term of Eq. (9) is the PDH error signal used to lock the laser on the cavity. For small detunings with respect to the cavity linewidth $\Delta\nu_c$ and high finesses, we can linearize $\Im[F(\delta\nu)] \simeq \delta\nu/(\pi \Delta\nu_c)$. The rest of the equation is the contribution of the RAM and can be split in two terms: one proportional to M is cancelled by setting $\Delta\Phi = 0$ thanks to the active feedback; the last one proportional to $m_0 \cos \Delta\Phi \Im[F(\delta\nu)]$ is cancelled by locking the laser on the cavity since $\Im[F(0)] = 0$. When the laser is locked to the cavity, the PDH error signal can therefore be expressed as the sum of the PDH and RAM error signals:

$$\begin{aligned} \varepsilon(\delta\nu) &= \varepsilon(\delta\nu)_{\text{PDH}} + \varepsilon(\delta\nu)_{\text{RAM}} \\ \varepsilon(\delta\nu) &= -4R_0\mathcal{R}k_m J_0(\beta_z)J_1(\beta_z)E_0^2 \frac{\delta\nu}{\Delta\nu_c} \\ &\quad + R_0\mathcal{R}k_m J_1(\beta_z)^2 E_0^2 M \end{aligned} \quad (10)$$

The fractional frequency fluctuations can be expressed as:

$$\begin{aligned} \frac{\delta\nu}{\nu_c} &= -\frac{\varepsilon(\delta\nu)}{4R_0\mathcal{R}k_m J_0(\beta_z)J_1(\beta_z)E_0^2} \frac{\Delta\nu_c}{\nu_c} \\ &\quad + \frac{1}{4} \frac{J_1(\beta_z)}{J_0(\beta_z)} \frac{\Delta\nu_c}{\nu_c} M \end{aligned} \quad (11)$$

with ν_c the laser absolute frequency and $\Delta\nu_c$ the full width at half maximum. The RAM contribution to the fractional frequency stability is thus:

$$\sigma_y^{\text{RAM}} = \frac{1}{4} \frac{J_1(\beta_z)}{J_0(\beta_z)} \frac{\Delta\nu_c}{\nu_c} \sigma_M. \quad (12)$$

This expression gives values smaller than the more commonly used formula $\sigma_y^{\text{RAM}} = (\Delta\nu_c/\nu_c) \times \sigma_M$ [33] in which a factor $J_1(\beta_z)/4J_0(\beta_z) \simeq 0.16$ is neglected. Our formula does not take into account the coupling efficiency or the impedance matching parameter; it has been shown that the RAM effect on the PDH error signal highly depends on these quantities and can even be totally suppressed by a right choice of coupling efficiency [35].

3. Experimental setup

Figure 2 depicts the experimental setup. We use a 1542 nm fiber laser. A free-space AOM placed at the output can be used to implement a power lock, as we know that fluctuating power has an incidence on the RAM since it can induce temperature effects in the EOM crystal and influence the stray etalon effect [23]. Power fluctuations are detected through the DC port of PD2 and corrected with the AOM RF power. This power lock achieves a fractional power stability

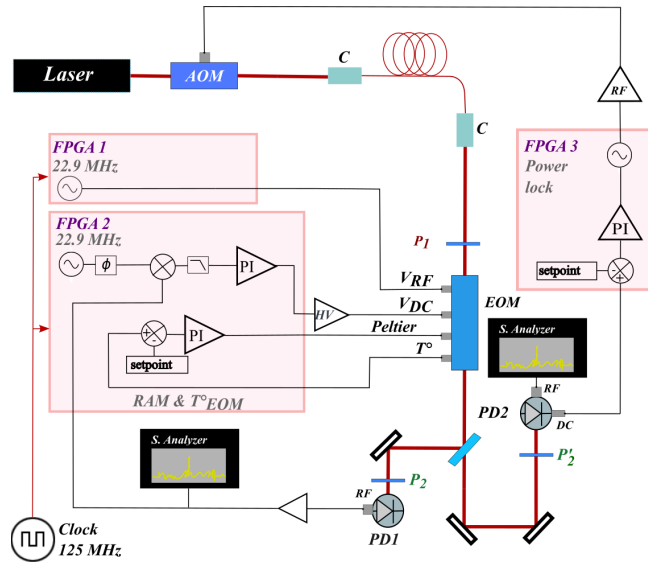


Fig. 2. Experimental scheme for active RAM stabilization and characterization. C are collimators, HV is the high voltage generator, P_1 , P_2 and P'_2 are polarizers, PD1 and PD2 respectively the in-loop and out-of-loop photodiodes.

of $\Delta P/P = 10^{-4}$ with a locking bandwidth close to 10 kHz, which is sufficient for our RAM compensation setup.

After the output collimator C, a telescope resizes the beam and a power of 5 mW is coupled to the free-space EOM. The polarization is finely tuned with a half-wave plate and a polarizer at the EOM input. The phase modulation is provided by a non-wedged LiNbO₃ EOM crystal on which we apply a RF power at 22.9 MHz. The EOM is thermally controlled within ± 20 mK with a Peltier device fastened below. A 50/50 beam splitter sends half the light on PD1 for an active control of the RAM while the rest is sent on PD2 for an out-of-loop measurement. The beams are focused on the photodiodes with a waist estimated to be well below 1 mm. The two photodiodes, with an active area diameter of 1 mm, are mounted on identical electronic cards. In order to test several configurations of the servo loop, a polarizer precedes each photodiode, instead of a unique polarizer placed at the output of the EOM. This configuration allows to test the response of the servo loop when the RAM signal is increased with the in-loop photodiode polarizer P_2 rotated by 45° .

All along the optical path, optics are slightly tilted to an angle of $\sim 5^\circ$ to minimize parasitic etalon effects. The protective window of the in-loop photodiode has also been removed to eliminate a retro-reflection on the active area. Finally, in order to isolate the optical setup from air conditioning fluxes and dust, the cavity table is enclosed by an isolation box.

The out-of-loop RAM is directly measured and recorded with a spectrum analyzer independently of the electronics used for the stabilization. In the in-loop branch, a 40 dB amplifier and a directional 10 dB coupler transmits the RF power \mathcal{P}_m from photodiode PD1 to another spectrum analyzer for monitoring. Taking into account the load resistance of the photodiode R_L and the input impedance R_0 of the RF amplifier, M can be expressed as:

$$M = \frac{R_L + R_0}{R_L \mathcal{R} A P_\lambda} \sqrt{\frac{\mathcal{P}_m}{2R_0}}. \quad (13)$$

The signal at 22.9 MHz is sampled by an analog-to-digital converter (ADC, 14 bits, 125 MS/s) and transferred in a field programmable gate array (FPGA). The digital error signal V_1 of the control loop is obtained by finely adjusting the phase of the demodulation. Synchronization between digital electronics boards is maintained by sharing the same clock signal at 125 MHz. The signal is then filtered and the data rate is reduced to 15.625 MS/s before the proportional integrator function that produces the correction signal. The 14 bits digital to analog converter provides a ± 1 V signal that is amplified by 46 dB and applied to the DC port of the EOM. With this large control voltage and a precise temperature regulation, the range of corrections is compatible with long time operation of the RAM control. We evaluate that the bandwidth of our RAM servo loop is close to 8 kHz.

The RAM lock and characterization has been integrated to our cryogenic cavity stabilized laser setup. With our 145 mm long cavity, we expect that the thermal noise will limit the frequency stability at 3×10^{-17} in fractional value [36]. This limit sets the goal to achieve for the RAM-induced fractional frequency instability.

4. Results

The RAM signal M and the digital error signal V_1 are plotted on Fig. 3. Figure 3(a), M exhibits some cancellation points for particular temperatures of the crystal, at which the in-phase error signal undergoes a sign toggle. Thus, in our RAM compensation setup, we choose to tune the EOM temperature lock setpoint to one of these zero-crossings, before engaging the DC lock. Figure 3(b) shows the RAM and digital error signal behaviors when the EOM DC input is modulated with a square function of 0.1 Hz frequency and ± 196 V amplitude, while the temperature regulation is active. The input voltage dynamic range provided by the EOM DC port is able to compensate RAM fluctuations of over 30%. We estimate that the bandwidth of the EOM temperature control is limited to a few tenths of hertz by the thermal response of the EOM crystal.

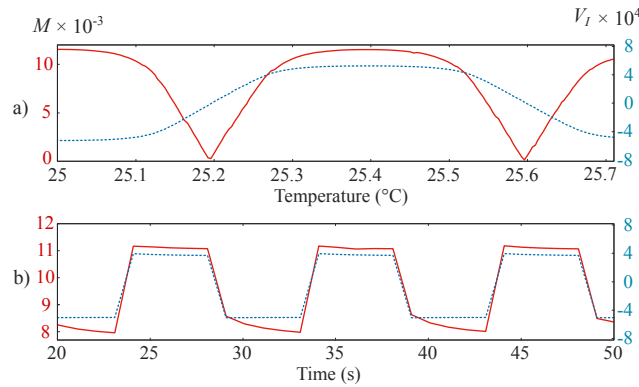


Fig. 3. Top: Plots of M (red) and the digital error signal V_1 (reported as the digital word value) as a function of the EOM temperature. Bottom: Plots of M (red) and the digital error signal V_1 as a function of time, during which we apply a square function of 0.1 Hz frequency and ± 196 V amplitude on the DC electrodes.

The plot of M as a function of the EOM temperature shown Fig. 3 exhibits RAM cancellations and error signal sign inversions every ~ 0.4 °C. This value is consistent with theoretical calculations of the phase shift:

$$\Delta\phi = \frac{2\pi l_0}{\lambda} (T - T_0) \left(\frac{\Delta n_e}{\Delta T} - \frac{\Delta n_o}{\Delta T} \right) \left[1 + \kappa (T - T_0) \right] \quad (14)$$

As the thermal expansion coefficient of the LiNbO₃ crystal for the longitudinal axis is $\kappa = 1.54 \times 10^{-5}$ [37], the second term is negligible if $|T - T_0| < 1$ and it is always the case in our experiment since the temperature control is ± 20 mK. Only the first term is taken in account. The variations of n_e and n_o as a function of temperature are given in [38] for 1340 nm, and with these values, we obtain $\Delta\phi = 2\pi$ phase shift for $|T - T_0| = 0.66^\circ\text{C}$. Our laser emits at 1542 nm, but the Sellmeier coefficients are almost equal and we get a theoretical value close to the observation with these coefficients.

Fig. 4-a) shows the evolution of M in time when all locks are off (brown curve), with temperature stabilization at $T = 25.18^\circ\text{C}$ (green curve), with laser power stabilization (pink curve), and with all locks including RAM engaged (orange curve). With the power lock on, fast variations of free running RAM are erased. However, a fluctuation of a period of 2500 s is still clearly visible on the free running data, and is due to temperature fluctuations of $\pm 1^\circ\text{C}$ in the laboratory. These RAM fluctuations are not fully compensated by the temperature servo of the EOM crystal and the power lock. We assume that these fluctuations emanate from the etalon effect in other optics than the EOM, because they are not temperature controlled unlike the EOM crystal.

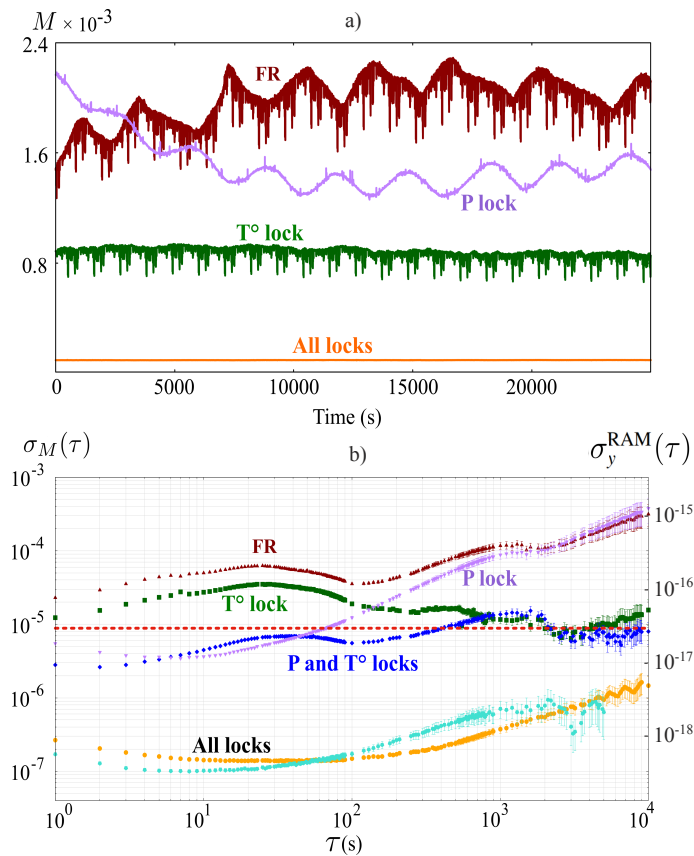


Fig. 4. For both figures, the brown, green and pink curves are the RAM signal when the RAM servo loop is off, respectively free running (FR), with temperature stabilization (T° lock) and with power lock (P lock). The orange line (All locks) is the case when the RAM control is activated. a): out-of-loop signal monitored during 25000 seconds on PD2. b): Allan deviation of the out-of-loop RAM signal. Blue: both the temperature and power stabilizations are active (P and T° locks). Orange: polarizer P2 is turned at 0°. Turquoise: P2 is turned at 45°. Red dashed line: thermal noise limit.

Fig. 4-b) shows the Allan deviation of the out-of-loop RAM index M . The free-running RAM (brown curve) is above 10^{-5} at all integration times. The green curve is obtained when the EOM temperature lock is enabled. While the gain is marginal at short-term, the long-term drift is strongly reduced. The pink curve is obtained when the laser power stabilization is enabled. There is a much higher gain at short term, but a strong drift after 10 s. With both temperature and laser power locked (blue curve), there is a factor of 5 to 10 reduction of RAM at all integration times. Fluctuations of M are below 10^{-5} for τ between 1 s and 400 s, with a minimum at 3×10^{-6} . This is below the level set by the thermal noise limit of our cavity (red dashed line).

The orange and blue curves are obtained with the RAM control enabled for two different output polarizers angles (0° and 45°). There is a gain of over 100 compared to the free-running situation, and the RAM stability is well below the level set by the cavity thermal noise for integration times up to 10^4 s. At long term ($\tau \geq 1000$ s), the RAM stability is still in the 5×10^{-7} domain. By comparison with the free-running case, the long term drift of the RAM is strongly mitigated and it should not be a cause for a long-term drift of the cavity.

5. Discussion

We have estimated the expected RAM contribution to the fractional frequency stability of a cryogenic silicon cavity (145 mm, $\mathcal{F} = 2.5 \times 10^5$) stabilized laser using Eq. (12). The RAM contribution has to be lower than the expected cavity thermal noise, which is $\sigma_y^{\text{thermal}} = 3 \times 10^{-17}$. This sets a limit $\sigma_M < 8.8 \times 10^{-6}$.

When the in-loop RAM level is minimized with P_2 turned at 0° , we reach a minimum RAM instability of 1.4×10^{-7} for τ around 60 s, corresponding to a RAM-induced fractional frequency instability of 5×10^{-19} . We also tried to turn the polarizer of the in-loop photodiode P_2 at 45° , in order to increase the in-loop RAM signal and the control loop sensitivity. In this case, we achieved a slightly better result with $\sigma_y^{\text{RAM}} = 3.4 \times 10^{-19}$ for short integration time.

The RAM stability shown Fig. 4-b) indicates that very low levels of RAM can be obtained by combining careful alignment of the input and output polarizers, laser power stabilization and EOM temperature stabilization. The level obtained in this configuration is competitive with both active RAM stabilization [32,33] and wedged EOMs RAM levels [26,27] for $\tau < 10$ s. When adding the active RAM correction through the EOM DC port, our results surpass both the best active [30,33] and passive [28] configurations, with a RAM below 4×10^{-7} from 1 to 1000 s. While the reduction of the fluctuations of the RAM is close to a factor ~ 5 in [33], there is a gain over 100 compared to the free-running situation in our setup, and the RAM stability is well below the level set by the cavity thermal noise for integration times up to 10^4 s. This confirms that RAM in EOMs can be pushed down to very low levels by acting passively and/or actively on critical aspects including the EOM temperature, the optics alignment and back reflections, the input and output polarization alignments, the EOM DC bias and the laser power stability. This RAM-induced fractional frequency instability meets the requirements of our current project and is well below any current ultra-stable laser performance.

6. Conclusion

We have achieved a reduction of a free-space EOM RAM below 4×10^{-7} for integration times between 1 s and 1000 s. This was made possible by the combination of laser power stabilization, EOM crystal temperature stabilization and active RAM compensation through the EOM DC port. In addition, digital signal processing yields great flexibility and repeatability, in comparison with analog control circuits, prevents any hysteresis effects and allows to preserve performances day after day. There is room for improvement by fine-tuning the laser power control, but also by better isolating the whole optical bench from the temperature fluctuations of the laboratory.

The RAM-induced fractional frequency instability is well below the thermal noise floor of 3×10^{-17} computed for our single-crystal silicon cryogenic cavity. For integration times greater than 10^4 s, the drift induced by RAM is expected to be lower than the drift of the ultra-stable cavity. These performances are then even suitable for next-generation ultra-stable cavities with enhanced stabilities.

Funding. Labex First-TF (ANR-10-LABX-0048-01); EIPHI Graduate School (ANR-17-EURE-0002); EquipeX OSCILLATOR-IMP (ANR-11-EQPX-0033); Région Bourgogne Franche-Comté.

Acknowledgments. The authors also thank Philippe Abbé and Benoît Dubois for electronical and mechanical support.

Disclosures. The authors declare no conflicts of interest.

Data availability. Data underlying the results presented in this paper are not publicly available at this time but may be obtained from the authors upon reasonable request.

References

1. K. Kokeyama, K. Izumi, W. Z. Korth, N. Smith-Lefebvre, K. Arai, and R. X. Adhikari, "Residual Amplitude Modulation in Interferometric Gravitational Wave Detectors," arXiv:1309.4522 [astro-ph, physics:gr-qc] (2013).
2. The LIGO Scientific Collaboration, the Virgo Collaboration, and the KAGRA Collaboration *et al.*, "Prospects for Observing and Localizing Gravitational-Wave Transients with Advanced LIGO, Advanced Virgo and KAGRA," *Living Rev Relativ* **23**(1), 3 (2020).
3. J. Ye, L.-S. Ma, and J. L. Hall, "Ultrasensitive detections in atomic and molecular physics: Demonstration in molecular overtone spectroscopy," *J. Opt. Soc. Am. B* **15**(1), 6 (1998).
4. B. C. Young, F. C. Cruz, W. M. Itano, and J. C. Bergquist, "Visible Lasers with Subhertz Linewidths," *Phys. Rev. Lett.* **82**(19), 3799–3802 (1999).
5. H. Stoehr, F. Mensing, J. Helmcke, and U. Sterr, "Diode laser with 1 Hz linewidth," *Opt. Lett.* **31**(6), 736–738 (2006).
6. A. D. Ludlow, X. Huang, M. Notcutt, T. Zanon-Willette, S. M. Foreman, M. M. Boyd, S. Blatt, and J. Ye, "Compact, thermal-noise-limited optical cavity for diode laser stabilization at 1×10^{-15} ," *Opt. Express* **32**(6), 641–643 (2007).
7. J. Alnis, A. Matveev, N. Kolachevsky, T. Udem, and T. W. Hänsch, "Subhertz linewidth diode lasers by stabilization to vibrationally and thermally compensated ultralow-expansion glass Fabry-Pérot cavities," *Phys. Rev. A* **77**(5), 053809 (2008).
8. T. Kessler, C. Hagemann, C. Grebing, T. Legero, U. Sterr, F. Riehle, M. J. Martin, L. Chen, and J. Ye, "A sub-40-mHz-linewidth laser based on a silicon single-crystal optical cavity," *Nat. Photonics* **6**(10), 687–692 (2012).
9. T. L. Nicholson, M. J. Martin, J. R. Williams, B. J. Bloom, M. Bishof, M. D. Swallows, S. L. Campbell, and J. Ye, "Comparison of Two Independent Sr Optical Clocks with 1×10^{-17} stability at 10^3 s," *Phys. Rev. Lett.* **109**(23), 230801 (2012).
10. W. Zhang, J. M. Robinson, L. Sonderhouse, E. Oelker, C. Benko, J. L. Hall, T. Legero, D. G. Matei, F. Riehle, U. Sterr, and J. Ye, "Ultrastable Silicon Cavity in a Continuously Operating Closed-Cycle Cryostat at 4 K," *Phys. Rev. Lett.* **119**(24), 243601 (2017).
11. L. Wu, Y. Jiang, C. Ma, W. Qi, H. Yu, Z. Bi, and L. Ma, "0.26-Hz-linewidth ultrastable lasers at 1557 nm," *Sci. Rep.* **6**(1), 24969 (2016).
12. H. Müller, S. Herrmann, A. Saenz, A. Peters, and C. Lämmerzahl, "Optical cavity tests of Lorentz invariance for the electron," *Phys. Rev. D* **68**(11), 116006 (2003).
13. H. Müller, S. Herrmann, C. Braxmaier, S. Schiller, and A. Peters, "Modern Michelson-Morley Experiment using Cryogenic Optical Resonators," *Phys. Rev. Lett.* **91**(2), 020401 (2003).
14. S. Herrmann, A. Senger, K. Möhle, M. Nagel, E. V. Kovalchuk, and A. Peters, "Rotating optical cavity experiment testing Lorentz invariance at the 10^{-17} level," *Phys. Rev. D* **80**(10), 105011 (2009).
15. T. Zhang, J. Bi, Y. Zhi, J. Peng, L. Li, and L. Chen, "Test of Lorentz invariance using rotating ultra-stable optical cavities," *Phys. Lett. A* **416**, 127666 (2021).
16. R. W. P. Drever, J. L. Hall, F. V. Kowalski, J. Hough, G. M. Ford, A. J. Munley, and H. Ward, "Laser phase and frequency stabilization using an optical resonator," *Appl. Phys. B* **31**(2), 97–105 (1983).
17. G. D. Cole, W. Zhang, M. J. Martin, J. Ye, and M. Aspelmeyer, "Tenfold reduction of Brownian noise in high-reflectivity optical coatings," *Nat. Photonics* **7**(8), 644–650 (2013).
18. Y. Zeng, Z. Fu, Y.-Y. Liu, X.-D. He, M. Liu, P. Xu, X.-H. Sun, and J. Wang, "Stabilizing a laser frequency by the Pound-Drever-Hall technique with an acousto-optic modulator," *Appl. Opt.* **60**(5), 1159 (2021).
19. Y. Yu, Y. Wang, and J. R. Pratt, "Active cancellation of residual amplitude modulation in a frequency-modulation based Fabry-Perot interferometer," *Rev. Sci. Instrum.* **87**(3), 033101 (2016).
20. N. C. Wong and J. L. Hall, "Servo control of amplitude modulation in frequency-modulation spectroscopy: Demonstration of shot-noise-limited detection," *J. Opt. Soc. Am. B* **2**(9), 1527–1533 (1985).
21. E. A. Whittaker, M. Gehrtz, and G. C. Bjorklund, "Residual amplitude modulation in laser electro-optic phase modulation," *J. Opt. Soc. Am. B* **2**(8), 1320–1326 (1985).

22. Q. A. Duong, T. D. Nguyen, T. T. Vu, M. Higuchi, D. Wei, and M. Aketagawa, "Suppression of residual amplitude modulation appeared in commercial electro-optic modulator to improve iodine-frequency-stabilized laser diode using frequency modulation spectroscopy," *J. Eur. Opt. Soc.-Rapid Publ.* **14**(1), 25 (2018).
23. H. Shen, L. Li, J. Bi, J. Wang, and L. Chen, "Systematic and quantitative analysis of residual amplitude modulation in Pound-Drever-Hall frequency stabilization," *Phys. Rev. A* **92**(6), 063809 (2015).
24. X. Dangpeng, W. Jianjun, L. Mingzhong, L. Honghuan, Z. Rui, D. Ying, D. Qinghua, H. Xiaodong, W. Mingzhe, D. Lei, and T. Jun, "Weak etalon effect in wave plates can introduce significant FM-to-AM modulations in complex laser systems," *Opt. Express* **18**(7), 6621 (2010).
25. J. Sathian and E. Jaatinen, "Reducing residual amplitude modulation in electro-optic phase modulators by erasing photorefractive scatter," *Opt. Express* **21**(10), 12309 (2013).
26. Z. Li, W. Ma, W. Yang, Y. Wang, and Y. Zheng, "Reduction of zero baseline drift of the Pound–Drever–Hall error signal with a wedged electro-optical crystal for squeezed state generation," *Opt. Lett.* **41**(14), 3331–3334 (2016).
27. Z. Tai, L. Yan, Y. Zhang, X. Zhang, W. Guo, S. Zhang, and H. Jiang, "Electro-optic modulator with ultra-low residual amplitude modulation for frequency modulation and laser stabilization," *Opt. Lett.* **41**(23), 5584 (2016).
28. J. Bi, Y. Zhi, L. Li, and L. Chen, "Suppressing residual amplitude modulation to the 10^{-7} level in optical phase modulation," *Appl. Opt.* **58**(3), 690–694 (2019).
29. L. Jin, "Suppression of residual amplitude modulation of ADP electro-optical modulator in Pound-Drever-Hall laser frequency stabilization," *Opt. Laser Technol.* **136**, 106758 (2021).
30. L. Li, H. Shen, J. Bi, C. Wang, S. Lv, and L. Chen, "Analysis of frequency noise in ultra-stable optical oscillators with active control of residual amplitude modulation," *Appl. Phys. B* **117**(4), 1025–1033 (2014).
31. X. Guo, L. Zhang, J. Liu, L. Chen, L. Fan, and T. Liu, "Residual amplitude modulation suppression to 6×10^{-7} in frequency modulation," in *Twelfth International Conference on Information Optics and Photonics*, vol. 12057 (SPIE, 2021), pp. 9–14.
32. L. Li, F. Liu, C. Wang, and L. Chen, "Measurement and control of residual amplitude modulation in optical phase modulation," *Rev. Sci. Instrum.* **83**(4), 043111 (2012).
33. W. Zhang, M. J. Martin, C. Benko, J. L. Hall, J. Ye, C. Hagemann, T. Legero, U. Sterr, F. Riehle, G. D. Cole, and M. Aspelmeyer, "Reduction of residual amplitude modulation to 1×10^{-6} for frequency modulation and laser stabilization," *Opt. Lett.* **39**(7), 1980–1983 (2014).
34. E. D. Black, "An introduction to pound–drever–hall laser frequency stabilization," *Am. J. Phys.* **69**(1), 79–87 (2001).
35. X. Shi, J. Zhang, X. Zeng, X. Lü, K. Liu, J. Xi, Y. Ye, and Z. Lu, "Suppression of residual amplitude modulation effects in Pound–Drever–Hall locking," *Appl. Phys. B* **124**(8), 153 (2018).
36. B. Marechal, J. Millo, A. Didier, P.-Y. Bourgeois, G. Goavec-Merou, C. Lacroute, E. Rubiola, and Y. Kersale, "Toward an ultra-stable laser based on cryogenic silicon cavity," in *2017 Joint Conference of the European Frequency and Time Forum and IEEE International Frequency Control Symposium (EFTF/IFCS)*, (IEEE, Besancon, 2017), pp. 773–774.
37. D. H. Jundt, "Temperature-dependent Sellmeier equation for the index of refraction, n_e , in congruent lithium niobate," *Opt. Lett.* **22**(20), 1553 (1997).
38. H. Y. Shen, H. Xu, Z. D. Zeng, W. X. Lin, R. F. Wu, and G. F. Xu, "Measurement of refractive indices and thermal refractive-index coefficients of LiNbO₃ crystal doped with 5 mol % MgO," *Appl. Opt.* **31**(31), 6695 (1992).