



HAL
open science

Lower bound for $KVol$ on the minimal stratum of translation surfaces

Julien Boulanger

► **To cite this version:**

Julien Boulanger. Lower bound for $KVol$ on the minimal stratum of translation surfaces. 2023. hal-04228490

HAL Id: hal-04228490

<https://hal.science/hal-04228490>

Preprint submitted on 4 Oct 2023

HAL is a multi-disciplinary open access archive for the deposit and dissemination of scientific research documents, whether they are published or not. The documents may come from teaching and research institutions in France or abroad, or from public or private research centers.

L'archive ouverte pluridisciplinaire **HAL**, est destinée au dépôt et à la diffusion de documents scientifiques de niveau recherche, publiés ou non, émanant des établissements d'enseignement et de recherche français ou étrangers, des laboratoires publics ou privés.

Lower bound for KVol on the minimal stratum of translation surfaces

Julien Boulanger

Abstract

In this paper we are interested in algebraic intersection of closed curves of a given length on translation surfaces. We study the quantity KVol, defined in [6] and studied in [6, 7, 2, 3], and we construct families of translation surfaces in each connected component of the minimal stratum $\mathcal{H}(2g - 2)$ of the moduli space of translation surfaces of genus $g \geq 2$ such that KVol is arbitrarily close to the genus of the surface, which is conjectured to be the infimum of KVol on $\mathcal{H}(2g - 2)$.

1 Introduction

Given a closed oriented surface X , the algebraic intersection $\text{Int}(\cdot, \cdot)$ defines a symplectic bilinear form on the first homology group $H_1(X, \mathbb{R})$. When X is endowed with a Riemannian metric, we can define the quantity

$$\text{KVol}(X) := \text{Vol}(X) \sup_{\alpha, \beta} \frac{\text{Int}(\alpha, \beta)}{l_g(\alpha)l_g(\beta)}$$

where the supremum ranges over all piecewise smooth closed curves α and β in X . Here, $\text{Vol}(X)$ denotes the Riemannian volume, and $l_g(\alpha)$ (resp. $l_g(\beta)$) denotes the length of α (resp. β) with respect to the metric.

The study of KVol originates in the work of Massart [10] and Massart-Muetzel [12]. In fact, KVol is also well defined if the Riemannian metric has isolated singularities, and it has been studied recently specifically in the case of translation surfaces (see [6], [7], [2], [3]) for which one could hope to get explicit computations of KVol.

Although it is easy to make KVol go to infinity by pinching a non-separating curve, it cannot be made arbitrarily small: Massart and Muetzel [12] showed that for any closed oriented surface X with a Riemannian metric, we have $\text{KVol}(X) \geq 1$ with equality if and only if X is a torus and the metric is flat. In light of this result, it is interesting to wonder what are the Riemannian (resp. hyperbolic,

flat) surfaces of fixed genus g having small KVol. This question turns out to be difficult to answer. In [12], KVol is studied as a function over the moduli space of hyperbolic surfaces of fixed genus: they provide asymptotic bounds when the systolic length goes to zero. In [7] Cheboui, Kessi and Massart extend the study of KVol to the moduli space of translation surfaces of genus 2 having a single singularity. Namely, they investigate the following quantity:

$$\mathcal{K}(\mathcal{H}(2)) := \inf_{X \in \mathcal{H}(2)} \text{KVol}(X)$$

In particular, they conjecture that $\mathcal{K}(\mathcal{H}(2)) = 2$ and show that $\mathcal{K}(\mathcal{H}(2)) \leq 2$ by exhibiting a family of (square-tiled) translation surfaces $L(n+1, n+1)$ having KVol converging to 2 as n goes to infinity.

In this note, we tackle the same question in any genus $g \geq 2$. More precisely, we conjecture that:

$$\mathcal{K}(\mathcal{H}(2g-2)) := \inf_{X \in \mathcal{H}(2g-2)} \text{KVol}(X) = g$$

and we construct surfaces in $\mathcal{H}(2g-2)$ having their KVol arbitrarily close to g , showing:

Theorem 1. *For all $g \geq 2$,*

$$\mathcal{K}(\mathcal{H}(2g-2)) \leq g.$$

It has to be remarked that translation surfaces with a single singularity are very specific surfaces and that the infimum of KVol over all Riemannian surfaces of genus g does not grow linearly with the genus as it is expected in the case of $\mathcal{H}(2g-2)$. In particular, as suggested by Sabourau to the author, a construction of [5] gives a surface X_g for each genus $g \geq 1$ such that

$$\text{KVol}(X) \leq C \frac{g}{\log(g+1)^2}$$

for a given constant $C > 0$. This bound can be obtained using Theorem 1.5 of [12], which compares KVol and the systolic volume, and the fact that the (homological)

systolic volume of the surfaces constructed in [5] grows as $C' \frac{g}{\log(g+1)^2}$.

However, in the case of translation surfaces having a single singularity, it is not possible to construct similar surfaces, as Boissy and Geninska [1] (and independantly Judge and Parlier [8]) showed that in this setting the systolic volume has a linear bound in the genus. This is the reason why we expect the infimum of KVol over $\mathcal{H}(2g-2)$ to grow linearly with g .

Remark 1.0.1. Concerning the lower bound on KVol , Theorem 1.1 of [4] gives directly that for any constant $A > 0$, there exist $c_A > 0$ such that for any Riemannian surface X of genus g and such that $\text{SysVol}(X) < A$, we have:

$$c_A \frac{g}{\log(g+1)^2} \leq \text{KVol}(X).$$

It would be interesting to know whether the same inequality holds with a universal constant $c > 0$ which does not depend on A . It should be noted that such a result has recently been shown for hyperbolic surfaces in the case where the algebraic intersection is replaced by the geometric intersection, see [13]. The proof in this later case relies on the existence of a short figure eighth geodesic.

Connected components of $\mathcal{H}(2g-2)$. With Theorem 1 in mind, it is interesting to wonder whether the bound g can be achieved in any connected component of $\mathcal{H}(2g-2)$. Kontsevich and Zorich [9] classified the connected components of any stratum of translation surfaces, and showed in particular that for any $g \geq 4$, $\mathcal{H}(2g-2)$ has three connected components: the hyperelliptic component $\mathcal{H}^{hyp}(2g-2)$, and two other connected components $\mathcal{H}^{even}(2g-2)$ and $\mathcal{H}^{odd}(2g-2)$ distinguished by the spin invariant. In genus 2, the only connected component is hyperelliptic while in genus 3 there are two connected components : odd spin and hyperelliptic. It turns out that the family of surfaces we construct in Section 2 belongs to odd spin for any $g \geq 2$. In Section 3 we give a family of hyperelliptic surfaces H_g^n and even spin M_g^n surfaces such that both $\text{KVol}(H_g^n)$ and $\text{KVol}(M_g^n)$ converge to g as n goes to infinity. In particular, we show:

Theorem 2. • $\mathcal{K}(\mathcal{H}^{hyp}(2g-2)) \leq g$ for any $g \geq 2$.

• $\mathcal{K}(\mathcal{H}^{odd}(2g-2)) \leq g$ for any $g \geq 3$.

• $\mathcal{K}(\mathcal{H}^{even}(2g-2)) \leq g$ for any $g \geq 4$.

We assume familiarity with the geometry of translation surfaces, and encourage the reader to check out the surveys [15], [14] and [11].

Acknowledgments. I would like to thank E. Lanneau, D. Massart and S. Sabourau for useful and enlightening discussions related to the work presented here.

2 Proof of Theorem 1

In this section, we prove Theorem 1 by exhibiting a family of surfaces L_g^n for $g, n \geq 2$, (having odd spin parity and) such that L_g^n has genus g for each $n \geq 2$ and

$$\lim_{n \rightarrow \infty} \text{KVol}(L_g^n) = g.$$

2.1 Construction of the surface L_g^n .

Given $g \geq 2$ and $n \geq 2$, define L_g^n as the $(g(n+1) - 1)$ -square translation surface of genus g with a single conical point which forms a staircase with steps of lengths and height n , as in Figure 1.

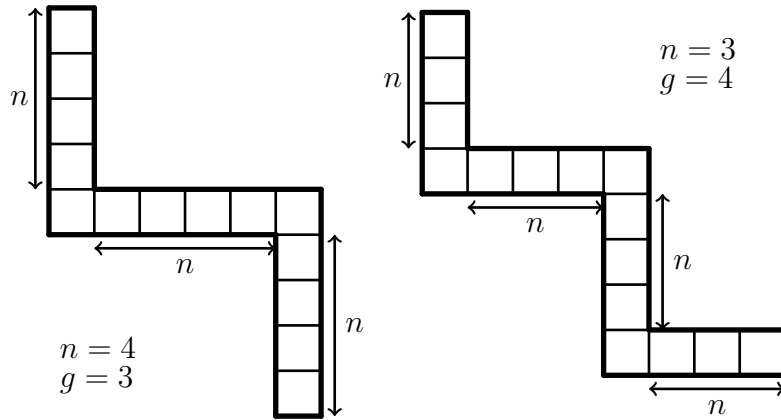


Figure 1: The surface L_3^4 on the left, and L_4^3 on the right. The identifications are such that each horizontal (resp. vertical) rectangle is a cylinder.

A basis of the homology. Let e_1, \dots, e_g (resp. f_1, \dots, f_g) be the horizontal (resp. vertical) saddle connections (see Figure 2), seen as homology classes. Notice that for odd i , e_i can be represented by a closed geodesic which do not pass through the singularity. We will refer to such homology classes as *non singular* homology classes. This is also the case of f_j for even j . On the contrary, for even i (resp. odd j), the class e_i (resp. f_j) will be called *singular* as it can only be represented by closed geodesics passing through the singularity.

The intersection matrix of the e_i and f_j is given by the following table:

$\text{Int}(e_i, f_j)$	e_1	e_2	e_3	e_4	e_5	\dots	e_g
f_1	1	-1	0	0	0	\dots	0
f_2	0	1	0	0	0		0
f_3	0	-1	1	-1	0		0
f_4	0	0	0	1	0		0
f_5	0	0	0	-1	1	\dots	0
\dots						\dots	\dots
f_g	0	0	0	0	0	\dots	1

To see this, notice that for odd i , the fact that e_i can be represented by a non-singular closed curve gives $\text{Int}(e_i, f_j) = \delta_{i,j}$. The same holds for f_j for

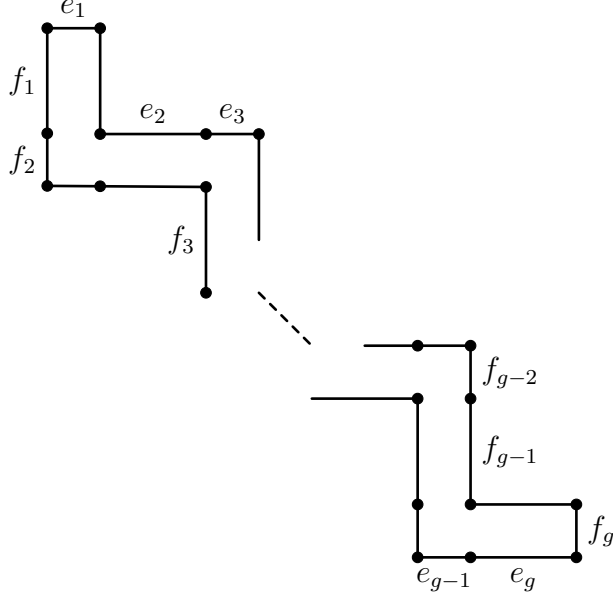


Figure 2: The horizontal and vertical saddle connections e_1, \dots, e_g , resp. f_1, \dots, f_g .

even j . Next, given i even, the homology class $e_{i-1} + e_i + e_{i+1}$ corresponds to a non-singular curve in L_g^n which intersects f_j if and only if $j = i$. In particular,

$$\text{Int}(e_{i-1}, f_j) + \text{Int}(e_i, f_j) + \text{Int}(e_{i+1}, f_j) = \delta_{i,j}$$

But the fact that both $i - 1$ and $i + 1$ are odd gives $\text{Int}(e_{i-1}, f_j) = \delta_{i-1,j}$ and $\text{Int}(e_{i+1}, f_j) = \delta_{i+1,j}$, so that

$$\text{Int}(e_i, f_j) = \delta_{i,j} - \delta_{i-1,j} - \delta_{i+1,j}$$

Further, as $\text{Int}(e_{i-1} + e_i + e_{i+1}, e_i) = 0$ for even i (resp. $\text{Int}(f_{j-1} + f_j + f_{j+1}, f_j) = 0$ for odd j), the same arguments gives that the e_i 's (resp. the f_j 's) do not intersect each other.

As a concluding remark, notice that closed geodesics representing e_1 and f_1 are intersecting once and have respective length 1 and n , and in particular:

$$\text{KVVol}(L_g^n) \geq \text{Vol}(L_g^n) \cdot \frac{\text{Int}(e_1, f_1)}{l(e_1)l(f_1)} = (g(n+1) - 1) \cdot \frac{1}{n}.$$

Computation of the spin. As explained in [9, Section 3], it is easy to compute the spin parity of an abelian differential ω given a symplectic basis of the first homology group $(a_i, b_i)_{1 \leq i \leq g}$ represented by smooth curves, and we have:

$$\varphi(\omega) = \sum_{i=1}^g \Omega(a_i)\Omega(b_i) \pmod{2}.$$

where $\Omega(a_i) = \text{ind}_{a_i} + 1$ and $2\pi \cdot \text{ind}_{a_i}$ is the total change of angle between the tangent vector to the curves and the horizontal foliation. Further, for any $a, b \in H^1(X, \omega)$, we have:

$$\Omega(a + b) = \Omega(a) + \Omega(b) + \text{Int}(a, b). \quad (1)$$

In the case of L_g^n , we use the basis $(a_i, b_i)_{1 \leq i \leq g}$ defined by:

$$a_i = \begin{cases} e_i & \text{if } i \text{ is even} \\ e_{i-1} + e_i + e_{i+1} & \text{if } i \text{ is odd} \end{cases} \quad \text{and} \quad b_i = f_i.$$

The index of each a_i is 0 as well as the index of each b_i for even i because they correspond to non-singular homology classes. Further, using (1) we show that $\Omega(b_1) = 0$, as well as $\Omega(b_g) = 0$ if g is odd, while $\Omega(b_i) = 1$ for odd i , $1 < i < g$. In particular, we deduce that the spin structure of L_g^n has odd parity.

Further, it should be remarked that although L_2^n is hyperelliptic for any $n \geq 2$, L_g^n is not hyperelliptic if $g \geq 3$. This is because an hyperelliptic involution would have to fix each cylinder, and hence must act as an involution of $R_1 \cup C_1$ (with the notations of Figure 3) so that it must act as an involution on C_1 , but it must also act as an involution of $C_1 \cup R_2 \cup C_2$, which is then impossible.

A useful model for the surfaces L_g^n . Let us finish this section by giving another model for L_g^n , which, although less intuitive at first sight, turns out to be helpful for the study of the intersections of saddle connections on L_g^n . This model is obtained from a cut and paste procedure which is described in Figure 3 in the example of L_4^3 . The main idea is to glue together all the squares at the corners of L_g^n to form a *core staircase* to which are attached the *long rectangles*. A general picture is given in Figure 4.

2.2 An upper bound on $KVol(L_g^n)$

In this section we provide estimates for $KVol$ on the surface L_g^n . Recall from [12, Section 3] that the supremum in the definition of $KVol$ can be taken over pairs of simple closed geodesics. In the case of translation surfaces, closed geodesics are homologous to unions of saddle connections. Since saddle connections are closed curves on L_g^n (which has a single singularity), we have:

$$KVol(L_g^n) = \sup_{\alpha, \beta \text{ saddle connections}} \frac{\text{Int}(\alpha, \beta)}{l(\alpha)l(\beta)}$$

In this setting, we show:

Theorem 2.2.1. *For any pair of saddle connections α, β on L_g^n , we have*

$$\frac{\text{Int}(\alpha, \beta)}{l(\alpha)l(\beta)} \leq \frac{1}{n} \left(\frac{n+1}{n} \right)^2 + \frac{6}{n^2} \quad (2)$$

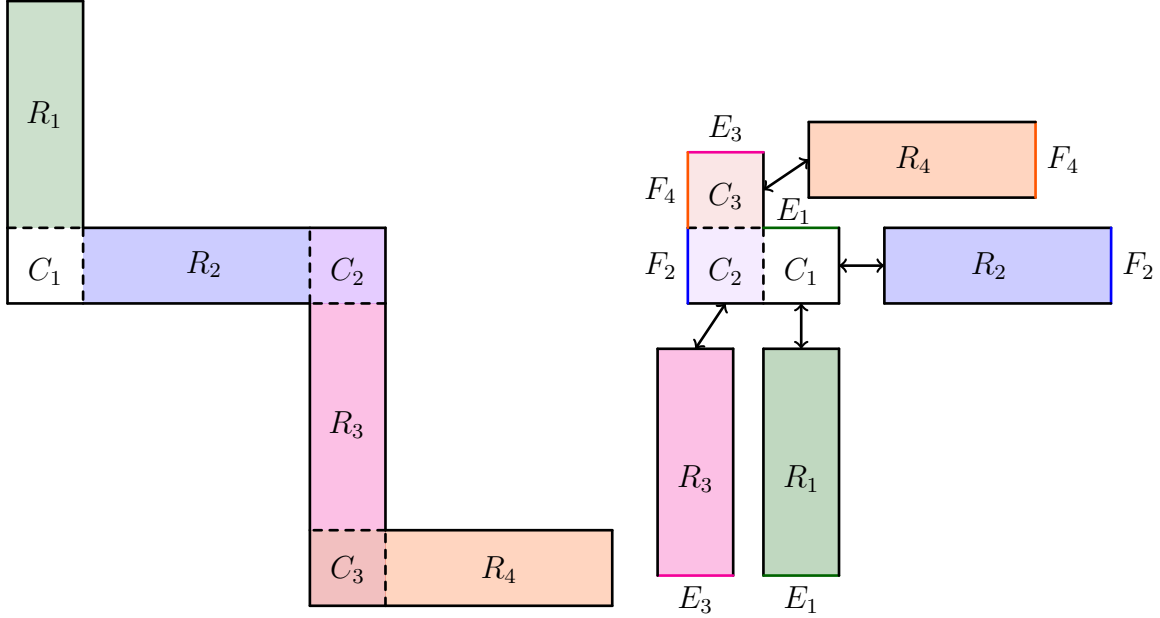


Figure 3: L_4^3 and its alternative model.

From this result, we deduce directly that

$$\text{KVol}(L_g^n) \leq (g(n+1) - 1) \left(\frac{(n+1)^2}{n^3} + \frac{6}{n^2} \right).$$

Further, as remarked in Section 2,

$$\frac{g(n+1) - 1}{n} \leq \text{KVol}(L_g^n),$$

so that, in particular, $\text{KVol}(L_g^n) \rightarrow g$ as n goes to infinity, proving Theorem 1.

Proof of Theorem 2.2.1. Let α and β be two saddle connections on L_g^n . We decompose the homology class of α (resp. β) in the basis $(e_1, \dots, e_g, f_1, \dots, f_g)$ of the homology. The first case we deal with is as follows:

Lemma 2.2.2. *For any saddle connection α in $L_{g,n}$ being in homology an integer combination of the e_i , i odd, and the f_j , j even, and any saddle connection β , we have*

$$l(\beta) \geq n |\text{Int}(\alpha, \beta)|$$

In particular

$$\frac{\text{Int}(\alpha, \beta)}{l(\alpha)l(\beta)} \leq \frac{1}{n}.$$

Proof of Lemma 2.2.2. As seen in the table of the intersections, the non-singular e_i or f_j do not intersect each other, and in particular do not intersect α . It

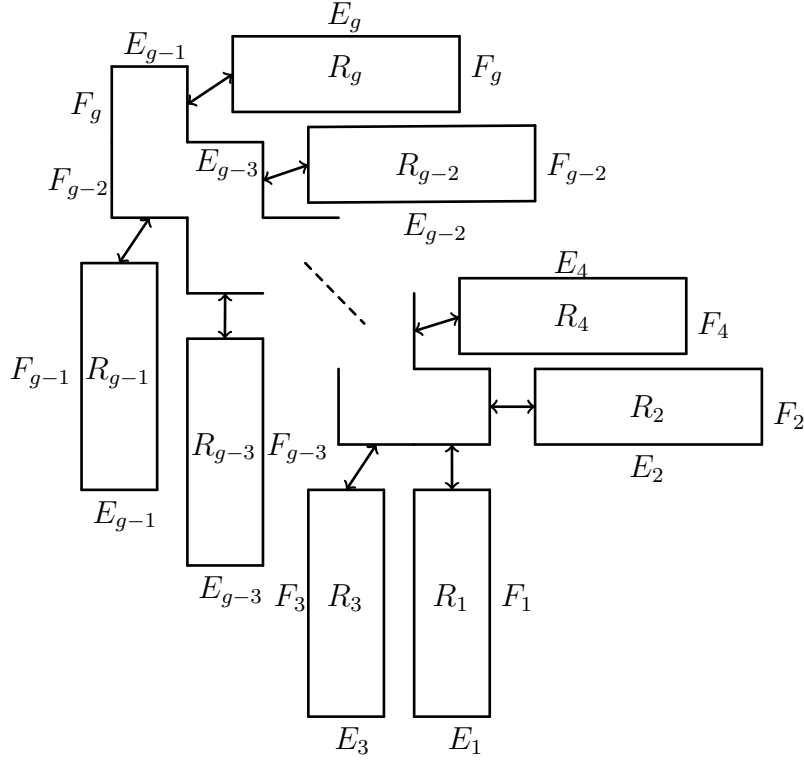


Figure 4: The alternative model for L_g^n is made of a core staircase to which are attached the long rectangles R_i . The curve E_i (resp. F_j) represents the homology class e_i (resp. f_j).

follows that if we decompose β in the basis of the homology $(e_1, f_1, \dots, e_g, f_g)$, the intersection $\text{Int}(\alpha, \beta)$ will be at most the number of singular e_i and f_j in the decomposition. But each singular e_i or f_j in the decomposition of β corresponds to a trip through a long rectangle R_i and accounts for a length at least n , so that:

$$l(\beta) \geq n|\text{Int}(\alpha, \beta)|.$$

Given that $l(\alpha) \geq 1$, we get

$$\frac{\text{Int}(\alpha, \beta)}{l(\alpha)l(\beta)} \leq \frac{1}{n}.$$

□

In particular, we deduce from Lemma 2.2.2 that Equation (2) holds if either α or β is an integer combination of the non-singular e_i and f_j only. In the rest of the proof, we will assume that neither α nor β correspond to such saddle connections. In the alternative model for L_g^n , this says exactly that α and β have to cross a long rectangle R_i .

In particular, we can decompose the saddle connections α and β by cutting them each time they enter or leave a rectangle R_i (lengthwise). This gives a decomposition into smaller (non-closed) segments $\alpha = \alpha_1 \cup \dots \cup \alpha_k$ (resp. $\beta = \beta_1 \cup \dots \cup \beta_l$) alternating between:

- (i) long segments (of length at least n) inside a long rectangle R_i ,
- (ii) short segments which stay inside the core staircase of Figure 4.

By convention, we will include the endpoints in the short segments, apart from the singularities (the possible singular intersection will be counted separately). Since long segments and short segments are alternating, there are at least $\max(\lfloor k/2 \rfloor, 1)$ long segments and there are at most $\lceil k/2 \rceil$ short segments for α . Notice that:

- Long segments and short segments do not lie in the same part of the surface, hence they cannot intersect.
- Any two short segments α_i and β_j intersect at most once, as no side of the core staircase is identified to another side of the core staircase.
- Concerning the intersection of long segments, we have:

Lemma 2.2.3. *Given two long segments α_i and β_j in the same rectangle R , we have*

$$\frac{\#\alpha_i \cap \beta_j}{l(\alpha_i)l(\beta_j)} \leq \frac{1}{n} \left(\frac{n+1}{n} \right)^2 + \frac{1}{n^2}$$

where $\#\alpha_i \cap \beta_j$ denotes the cardinal of the set of intersection points.

Proof. The proof of this Lemma is similar to the proof of Proposition 2.5 in [7]. We first identify the sides of each long rectangle R to form a torus T . Then, for each long segment α_i (resp. β_j) contained in the long rectangle R , we construct a closed curve $\tilde{\alpha}_i$ (resp. $\tilde{\beta}_j$) on the corresponding torus T . This construction can be done by adding to α_i (resp. β_j) a small portion of curve of length at most one, and removes at most one intersection, so that

- (a) $\text{Int}(\tilde{\alpha}_i, \tilde{\beta}_j) \geq \#\alpha_i \cap \beta_j - 1$.
- (b) $l(\tilde{\alpha}_i) \leq l(\alpha_i) + 1$ and $l(\tilde{\beta}_j) \leq l(\beta_j) + 1$.

Moreover, $l(\alpha_i) \geq n$ and $l(\beta_j) \geq n$ so that:

- (c) $l(\alpha_i) + 1 \leq l(\alpha_i)(1 + 1/n)$ (and the same holds for β_j),
- (d) $1 \leq \frac{l(\alpha_i)l(\beta_j)}{n^2}$.

Now, since $\text{KVVol}(T) = 1$ on the flat torus T , and given that the rectangle R has area n (and so does the torus T), we get:

$$\frac{\text{Int}(\tilde{\alpha}_i, \tilde{\beta}_j)}{l(\tilde{\alpha}_i)l(\tilde{\beta}_j)} \leq \frac{1}{n}.$$

In particular

$$\begin{aligned} \#\alpha_i \cap \beta_j &\leq \text{Int}(\tilde{\alpha}_i, \tilde{\beta}_j) + 1 && \text{by (a)} \\ &\leq \frac{1}{n}(l(\tilde{\alpha}_i)l(\tilde{\beta}_j)) + 1 \\ &\leq \frac{1}{n}(l(\alpha_i) + 1)(l(\beta_j) + 1) + 1 && \text{by (b)} \\ &\leq \frac{1}{n}l(\alpha_i)(1 + \frac{1}{n})l(\beta_j)(1 + \frac{1}{n}) + \frac{l(\alpha_i)l(\beta_j)}{n^2} && \text{by (c) and (d)}. \end{aligned}$$

This gives Theorem 2.2.1. \square

End of the proof. Counting all intersections, we have:

$$\text{Int}(\alpha, \beta) \leq \left(\sum_{i,j} \#\alpha_i \cap \beta_j \right) + 1$$

where the added intersection accounts for the possible singular intersection. Using the preceding estimates, we have:

$$\begin{aligned} \text{Int}(\alpha, \beta) &\leq \left(\sum_{\alpha_i, \beta_j \text{ long segments}} \#\alpha_i \cap \beta_j \right) + \left(\sum_{\alpha_i, \beta_j \text{ short segments}} \#\alpha_i \cap \beta_j \right) + 1 \\ &\leq \left(\sum_{\alpha_i, \beta_j \text{ long segments}} \left(\frac{1}{n} \left(\frac{n+1}{n} \right)^2 + \frac{1}{n^2} \right) l(\alpha_i)l(\beta_j) \right) + \left(\sum_{\alpha_i, \beta_j \text{ short segments}} 1 \right) + 1 \\ &\leq \left(\frac{1}{n} \left(\frac{n+1}{n} \right)^2 + \frac{1}{n^2} \right) \left(\sum_{\alpha_i, \beta_j \text{ long segments}} l(\alpha_i)l(\beta_j) \right) + \lceil \frac{k}{2} \rceil \lceil \frac{l}{2} \rceil + 1 \\ &\leq \left(\frac{1}{n} \left(\frac{n+1}{n} \right)^2 + \frac{1}{n^2} \right) l(\alpha)l(\beta) + \lceil \frac{k}{2} \rceil \lceil \frac{l}{2} \rceil + 1 \end{aligned}$$

Now, since there are at least $\max(\lfloor k/2 \rfloor, 1)$ long segments of α , each long segment having length at least n , we get $l(\alpha) \geq \max(\lfloor k/2 \rfloor, 1)n$, so that $\frac{k-1}{2} \leq \frac{l(\alpha)}{n}$, and

$$\lceil \frac{k}{2} \rceil \leq \frac{k+1}{2} \leq \frac{l(\alpha)}{n} + 1 \leq \frac{2l(\alpha)}{n}$$

where the last inequality comes from $l(\alpha) \geq n$. Similarly, we have

$$\lceil \frac{l}{2} \rceil \leq \frac{l+1}{2} \leq \frac{2l(\beta)}{n}$$

so that

$$\begin{aligned} \text{Int}(\alpha, \beta) &\leq \left(\frac{1}{n}\left(\frac{n+1}{n}\right)^2 + \frac{1}{n^2}\right)l(\alpha)l(\beta) + \frac{4}{n^2}l(\alpha)l(\beta) + 1 \\ &\leq \left(\frac{1}{n}\left(\frac{n+1}{n}\right)^2 + \frac{5}{n^2}\right)l(\alpha)l(\beta) + \frac{l(\alpha)l(\beta)}{n^2} \end{aligned}$$

again using that $l(\alpha) \geq n$ and $l(\beta) \geq n$. \square

3 Even spin and hyperelliptic families

We conclude this paper by giving a hyperelliptic family of surfaces H_g^n for $g \geq 3$ and an even spin family of surfaces M_g^n (for $g \geq 4$) such that for fixed g , $\text{KVol}(H_g^n)$ and $\text{KVol}(M_g^n)$ converge to g as n goes to infinity.

The proof is in fact similar to the case of L_g^n , as each surface can be decomposed into core polygons (giving rise to short segments) and long rectangles (giving rise to long segments). These two families of surfaces have the property that each edge of a core polygon is glued to an edge of a long rectangle, which allows to generalize Lemma 2.2.3. Further, the curves staying in the core polygons do not intersect each other and the conclusion of Lemma 2.2.2 can be generalized to these families of surfaces. This allows to give bounds for $\text{KVol}(H_g^n)$ and $\text{KVol}(M_g^n)$ which are easily shown to converge to g as g is fixed and n goes to infinity.

3.1 The family H_g^n

A convenient way to construct a family of hyperelliptic surfaces is to copy the staircase model of the double regular $(2g+1)$ -gon. However, we need each *long rectangle* to have area n . One way to do this is to set the lengths of the horizontal and vertical curves e_i and f_j drawn in the left of Figure 5 as

$$l(e_i) = n^{\frac{g-i-1}{g-1}} \text{ and } l(f_j) = n^{\frac{j-1}{g-1}}.$$

Next, we distinguish the core polygons C_i and the big rectangles R_i and proceed with the proof as in the case of L_g^n . Notice that the e_i 's (resp. the f_j 's) are pairwise non-intersecting and that the intersection of the e_i and the f_j is given by the following table:

$\text{Int}(e_i, f_j)$	e_1	e_2	e_3	e_4	e_5	\dots
f_1	1	0	0	0	0	\dots
f_2	-1	1	0	0	0	\dots
f_3	1	-1	1	0	0	\dots
f_4	-1	1	-1	1	0	\dots
f_5	1	-1	1	-1	1	\dots
\dots	\dots	\dots	\dots	\dots	\dots	\dots

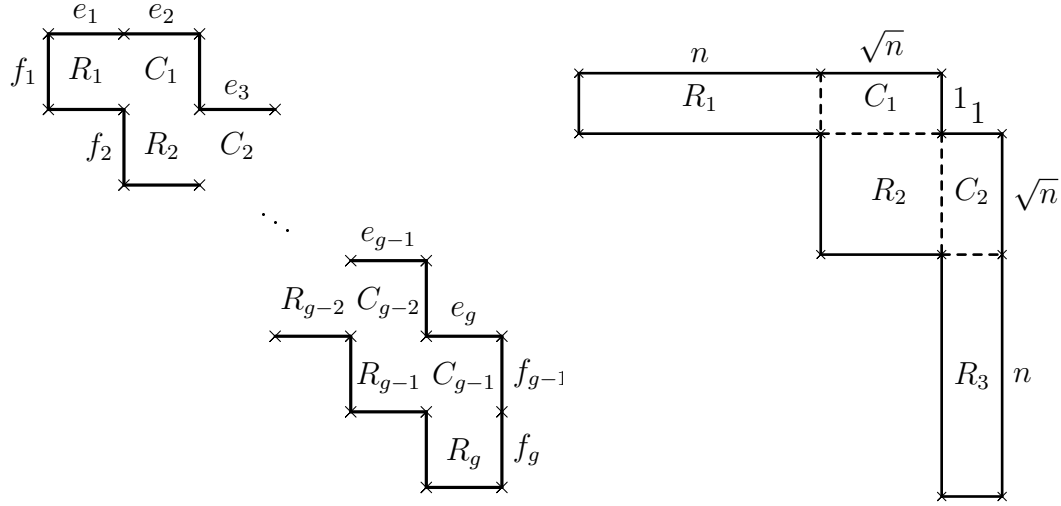


Figure 5: On the left, a combinatorial model for H_g^n . On the right, the example of H_3^n .

This allows to get an adapted version of Lemma 2.2.2:

Lemma 3.1.1. *The closed saddle connections γ contained in the core polygons correspond to the homology classes e_i , f_{i-1} and $e_i + f_{i-1}$ for $2 \leq i \leq g$. For any such saddle connection γ and any other saddle connection g , we have:*

$$\frac{\text{Int}(\gamma, g)}{l(\gamma)l(g)} \leq \frac{1}{n}.$$

Further, similarly to Lemma 2.2.3, we have:

Lemma 3.1.2. *For any two saddle connections α and β which are not contained in the core polygons C_i , we have*

$$\frac{\text{Int}(\alpha, \beta)}{l(\alpha)l(\beta)} \leq \frac{1}{n}(1 + n^{-\frac{1}{g}})^2 + \frac{6}{n^2}.$$

Using that the area of H_g^n is $gn + (g-1)n^{\frac{g-1}{g}}$, we get that

$$g + (g-1)n^{\frac{-1}{g}} \leq \text{KVol}(H_g^n) \leq (g + (g-1)n^{\frac{-1}{g}})((1 + n^{-\frac{1}{g}})^2 + \frac{6}{n}),$$

where the lower bound comes from the fact that e_1 and f_1 are intersecting once, and $l(e_1)l(f_1) = n$. Hence, for fixed g , $\text{KVol}(H_g^n)$ goes to g as n goes to infinity.

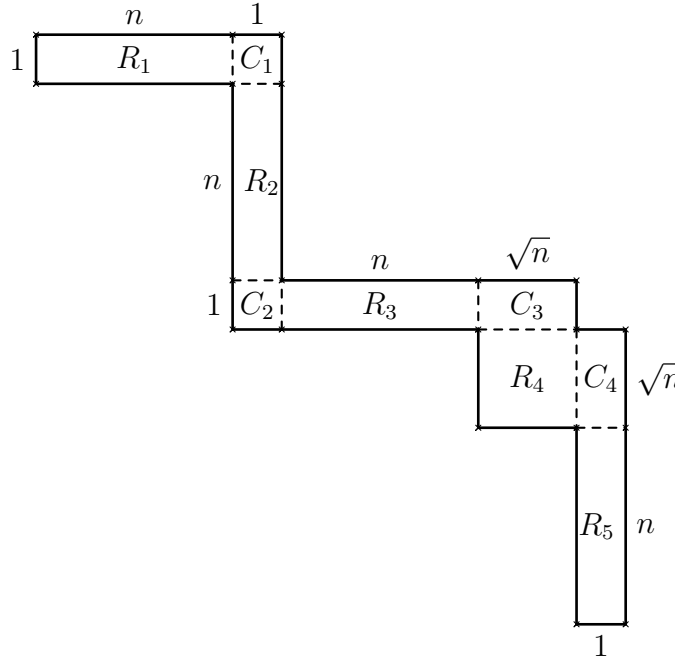


Figure 6: The surface M_5^n .

3.2 The family M_g^n

Similarly to L_g^n and H_g^n , it is possible to construct an even spin family of translation surfaces M_g^n , such that for any fixed $g \geq 4$, $\text{KVol}(M_g^n)$ goes to g as n goes to infinity. For example, construct each M_g^n from H_3^n by adding steps as in L_g^n , see Figure 6. As we have seen in the case of L_g^n , the operation of adding steps do not change the parity of the spin structure. In particular, the parity of the spin structure of M_g^n is the same as H_3^n , that is even. Further, similarly to L_g^n , the surface M_g^n is not hyperelliptic as an hyperelliptic involution would have to fix each cylinder, and hence act as an involution of C_2 , R_3 and C_3 but also $C_2 \cup R_3 \cup C_3$, which is impossible. In the case of M_g^n , an argument similar to the previous cases show:

$$\frac{gn + 2\sqrt{n} + (g - 3)}{n} \leq \text{KVol}(M_g^n) \leq \frac{gn + 2\sqrt{n} + (g - 3)}{n} \left(\left(1 + \frac{1}{\sqrt{n}}\right)^2 + \frac{6}{n} \right).$$

References

- [1] Boissy, C. and Geninska, S. "Systoles in translation surfaces." *Bull. de la SMF* 149, no. 2 (2021): 417-438.

- [2] Boulanger, J. and Lanneau, E. and Massart, D. "Algebraic intersection in regular polygons." *arXiv 2110.14235* (2022).
- [3] Boulanger, J. "Algebraic intersection, lengths and Veech surfaces." *arXiv* (2023).
- [4] , Balacheff, F. and Parlier, H. and Sabourau, S. "Short loop decompositions of surfaces and the geometry of jacobians." *Geometric And Functionnal Analysis* 22 (2012): 37-73.
- [5] Buser, P. and Sarnak, P, "On the period matrix of a Riemann surface of large genus (with an Appendix by J.H. Conway and N.J.A. Sloane)." *Invent. Math.* 117 (1994): 27–56.
- [6] Cheboui, S. and Kessi, A. and Massart, D. "Algebraic intersection for translation surfaces in a family of Teichmüller disks." *Bull. Soc. Math. France* 149, no. 4 (2021): 613–640.
- [7] Cheboui, S. and Kessi, A. and Massart, D. "Algebraic intersection for translation surfaces in the stratum $\mathcal{H}(2)$." *C. R. Math. Acad. Sci. Paris*, 359 (2021): 65–70.
- [8] Judge, C. and Parlier, H. "The maximum number of systoles for genus two Riemann surfaces with abelian differentials." *Comment. Math. Helv.* 94, no. 2 (2019): 399-437.
- [9] , Kontsevich, M. and Zorich, A. "Connected components of the moduli spaces of Abelian differentials with prescribed singularities." *Invent. Math.* 153 (2003): 631–678.
- [10] Massart, D. "Normes stables des surfaces." *Comptes Rendus de l'Académie des Sciences - Series I - Mathematics* 324, no. 2 (1997): 221-224.
- [11] Massart, D. "A short introduction to translation surfaces, Veech surfaces, and Teichmüller dynamics." *Surveys in geometry I*, Springer, (2022): 343–388.
- [12] Massart, D. and Muetzel, B. "On the intersection form of surfaces." *Manuscr. Math.* 143, no. 1-2 (2014): 19–49.
- [13] Torkaman, T. "Intersection number, length and systole on compact hyperbolic surfaces." *arXiv:2306.09249* (2023).
- [14] Wright, A. "From rational billiards to dynamics on moduli spaces." *Bull. Amer. Math. Soc.* 53, no. 1 (2016): 41-56.
- [15] Zorich, A. "Flat surfaces." *Frontiers in number theory, physics, and geometry. I*, Springer, Berlin, 2006: 437–583.