



**HAL**  
open science

# Constructive, destructive and differential detection of coherent population trapping resonance

Peter Yun, Tenghui Yang, Rodolphe Boudot, Emeric de Clercq

► **To cite this version:**

Peter Yun, Tenghui Yang, Rodolphe Boudot, Emeric de Clercq. Constructive, destructive and differential detection of coherent population trapping resonance. 2023 IEEE International Frequency Control Symposium-European Frequency, May 2023, Toyama, Japan. hal-04224383

**HAL Id: hal-04224383**

**<https://hal.science/hal-04224383v1>**

Submitted on 2 Oct 2023

**HAL** is a multi-disciplinary open access archive for the deposit and dissemination of scientific research documents, whether they are published or not. The documents may come from teaching and research institutions in France or abroad, or from public or private research centers.

L'archive ouverte pluridisciplinaire **HAL**, est destinée au dépôt et à la diffusion de documents scientifiques de niveau recherche, publiés ou non, émanant des établissements d'enseignement et de recherche français ou étrangers, des laboratoires publics ou privés.

# Constructive, destructive and differential detection of coherent population trapping resonance

Peter Yun (云恩学)<sup>1,2,\*</sup>, Tenghui Yang (杨腾辉)<sup>1,2</sup>, Rodolphe Boudot<sup>3</sup>, Emeric de Clercq<sup>4</sup>

<sup>1</sup>NTSC, Chinese Academy of Science, East Shuyuan Road, Lintong, Xi'an, 710600, Shaanxi, China

<sup>2</sup>University of Chinese Academy of Sciences, Beijing 100049, China

<sup>3</sup>FEMTO-ST, CNRS, UBFC, ENSMM, Besançon, France

<sup>4</sup>LNE-SYRTE, Observatoire de Paris, PSL Research University, CNRS, Sorbonne Universités, Paris, France

\*yunenxue@ntsc.ac.cn

**Summary**— We propose and demonstrate a coherent population trapping (CPT) scheme, in which a CPT dark state is constructively and destructively detected by a bi-chromatic light field with proper polarization and timing setting. Electromagnetically induced transparency (EIT) and electromagnetically induced absorption (EIA) resonances are simultaneously observed in a vapor cell. A differential-CPT (diff-CPT) signal, with doubled amplitude and suppression of common-mode noise of light and of the atomic ensemble, is then obtained by subtracting EIT and EIA resonances. This approach might be of great interest for the development of high-performance atomic clocks, sensors, or high-resolution spectroscopy.

**Keywords**— coherent population trapping (CPT); electromagnetically induced transparency (EIT); electromagnetically induced absorption (EIA); differential detection

## I. INTRODUCTION

Coherent population trapping (CPT) [1] is a quantum interference process that consists of making atoms interact with a dual-frequency field that connects two ground states of the atomic ensemble to a common excited state. At null Raman detuning, atoms are pumped in a so-called dark state in which electromagnetically-induced transparency (EIT) of the atomic medium is obtained.

The opposite behavior, increased absorption, can be obtained with electromagnetically-induced absorption (EIA) [2]. The latter can be observed in 3-level  $\Lambda$ -schemes with properly-tuned counterpropagating bi-chromatic fields such that a dark state created by a dual-frequency field is a bright state for the second field.

Best CPT clocks exhibit short-term fractional frequency stability levels in the range of a few  $10^{-13}$  at 1 s [3-5]. In [6], an EIA clock was demonstrated with a short-term stability of  $4 \times 10^{-12}$  at 1 s.

While the short-term stability of CPT clocks is comparable to the one of best microwave vapor cell clocks [7], it remains about a factor 10 higher than the ultimate photon shot noise limit. When ultra-low noise local oscillators are used [8] such that the Dick effect contribution is well rejected, the short-term stability of high-performance CPT clocks is in general limited by the laser noise, especially the laser amplitude noise.

In this study, we propose and demonstrate a method for probing coherent population trapping resonances in an atomic

vapor based on the simultaneous detection of mirror-images of transmission (dark state-EIT) and absorption resonances (bright state-EIA) for the clock transition, and subsequent use of a differential detection stage at the cell output [9, 10]. This technique leads to the detection of an atomic resonance with enhanced amplitude and suppressed common noise.

## II. EXPERIMENTAL RESULTS

Figure 1 shows a simplified scheme of the experimental setup implemented for demonstration of the proposed method.

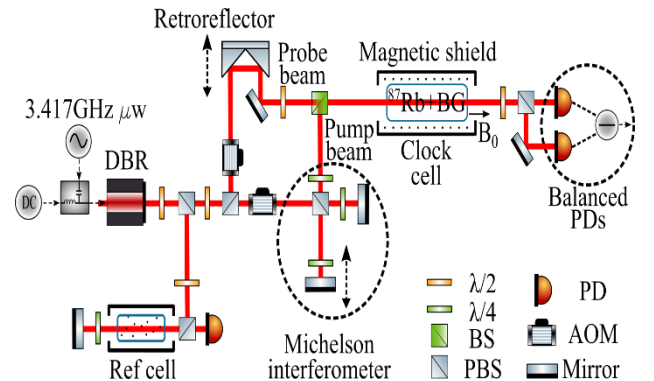


Fig. 1. Experimental setup.

Figure 1: Experimental setup.

The laser source is a distributed Bragg-resonator (DBR) laser, tuned on the Rb  $D_1$  line, directly-modulated at 3.417 GHz for producing optical sidebands frequency-split at 6.8 GHz for CPT interaction. The laser frequency is stabilized using the dual-frequency sub-Doppler spectroscopy [11] on an evacuated vapor cell. Initially prepared into a CPT state using the push-pull optical pumping scheme [12] created with a Michelson-like system, atoms are then probed with a phase-delayed linearly polarized bichromatic probe beam, such that the initial CPT state is a dark state or bright state for respective orthogonal circularly polarized components of the probe field. EIT and EIA resonances are then simultaneously generated due to the fact that one of the electric dipole moments of the double- $\Lambda$  system is of opposite sign to the three other ones. The atomic resonances are created in a buffer-gas filled Rb vapor cell,

temperature-stabilized, surrounded by a static magnetic field and protected by a magnetic shield. At the cell output, opposite polarizations are separated and balanced photodiodes are used to obtain the output diff-CPT signal.

Figure 2 shows an example of EIT, EIA and diff-CPT signals detected in the vapor cell.

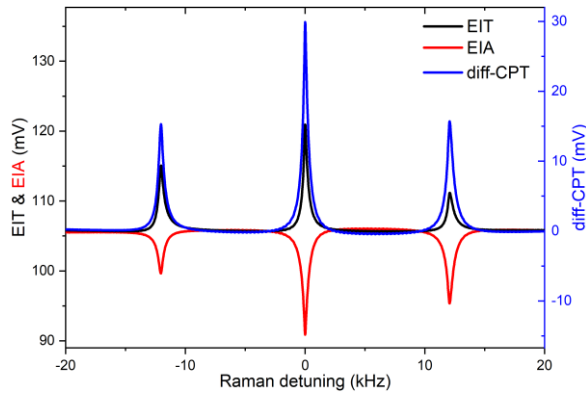


Figure 2: EIT, EIA and differential-CPT signal detected in the buffer-gas filled Rb vapor cell.

The three peaks correspond to transitions of the Zeeman spectrum, the central one being the 0-0 clock transition. The diff-CPT signal exhibits an amplitude twice higher than those of respective EIT and EIA signals, and is detected with a dc background level that is almost nulled. The linewidth of the diff-CPT signal is between those of EIT and EIA resonances. Also, we have observed common-mode noise rejection onto the diff-CPT signal.

### III. CONCLUSIONS

We have proposed and demonstrated a scheme that allows the simultaneous detection of dark and bright resonances in a vapor cell that leads, through the use of a differential detection stage, to a resonance signal with doubled amplitude and reduced common-mode noise. These ingredients might be the basis for the demonstration of a CPT clock with improved short-term fractional frequency stability.

### REFERENCES

[1] E. Arimondo, Coherent population trapping in laser spectroscopy, *Progress in Optics* 35, 257 (1996).  
 [2] C. Affolderbach, S. Knappe, R. Wynands, A. V. Taichenachev, and V. I. Yudin, Electromagnetically induced transparency and absorption in a standing wave, *Phys. Rev. A* 65, 043810 (2002).  
 [3] P. Yun, F. Tricot, C. E. Calosso, S. Micalizio, B. Francois, R. Boudot, S. Guérandel and E. de Clercq, High-performance coherent population trapping clock with polarization modulation, *Phys. Rev. Applied* 7, 014018 (2017).  
 [4] M. Abdel Hafiz, G. Coget, M. Petersen, C. Calosso, S. Guérandel, E. de Clercq and R. Boudot, Symmetric auto-balanced Ramsey interrogation for high-performance coherent-population-trapping vapor-cell atomic clock, *Applied Physics Letters* 112, 244102 (2018).  
 [5] P. Yun, Q. Li, Q. Hao, G. Liu, E. de Clercq, S. Guérandel, X. Liu, S. Gu, Y. Gao and S. Zhang, High-performance coherent population trapping atomic clock with direct-modulation distributed Bragg reflector laser, *Metrologia* 58, 05400 (2021).

[6] D. V. Brazhnikov, S. Ignatovizh, V. I. Vishnyakov, R. Boudot, and M. N. Skvortsov, Electromagnetically induced absorption scheme for vapor-cell atomic clock, *Opt. Exp.* 27, 36034 (2019).  
 [7] S. Micalizio, C. E. Calosso, A. Godone and F. Levi, Metrological characterization of the pulsed Rb clock with optical detection, *Metrologia* 49, 425 (2012).  
 [8] B. Francois, C. E. Calosso, M. Abdel Hafiz, S. Micalizio and R. Boudot, Simple-design ultra-low phase noise microwave frequency synthesizers for high-performing Cs and Rb vapor cell atomic clocks, *Rev. Sci. Instr.* 86, 094707 (2015).  
 [9] Peter Yun, Rodolphe Boudot, and Emeric de Clercq, Coherent population trapping with high common-mode noise rejection using differential detection of simultaneous dark and bright resonances, accepted by *Physical Review Applied*.  
 [10] Enxue Yun (Peter Yun), Qinglin Li, Qiang Hao, Guobin Liu, Yuping Gao, Shougang Zhang, “Double-modulation CPT differential detection method and system”. US Patent 11,507,025.  
 [11] M. Abdel Hafiz, G. Coget, E. De Clercq and R. Boudot, Doppler-free spectroscopy on the Cs D<sub>1</sub> line with a dual-frequency laser, *Optics Letters* 41, 13, 2982-2985 (2016).  
 [12] X. Liu, J. M. Mérolla, S. Guérandel, C. Gorecki, E. de Clercq and R. Boudot, Coherent-population-trapping resonances in buffer-gas-filled Cs vapor cells with push-pull optical pumping, *Phys. Rev. A* 87, 013416 (2013)