



HAL
open science

Satellite Swim Lane

Olivier C. Pons, Xavier Nicolay, Yannis Hoarau, Michel Benne, Guy Pignolet

► **To cite this version:**

Olivier C. Pons, Xavier Nicolay, Yannis Hoarau, Michel Benne, Guy Pignolet. Satellite Swim Lane. 34th International Symposium on Space Technology and Science (ISTS), Jun 2023, Kurume, Japan. , 2023. hal-04186595

HAL Id: hal-04186595

<https://hal.science/hal-04186595>

Submitted on 23 Aug 2023

HAL is a multi-disciplinary open access archive for the deposit and dissemination of scientific research documents, whether they are published or not. The documents may come from teaching and research institutions in France or abroad, or from public or private research centers.

L'archive ouverte pluridisciplinaire **HAL**, est destinée au dépôt et à la diffusion de documents scientifiques de niveau recherche, publiés ou non, émanant des établissements d'enseignement et de recherche français ou étrangers, des laboratoires publics ou privés.



Distributed under a Creative Commons Attribution - NonCommercial - NoDerivatives 4.0 International License

Olivier C. PONS
(Cabinet Olivier PONS)

Xavier NICOLAY
(The University of Reunion Island)

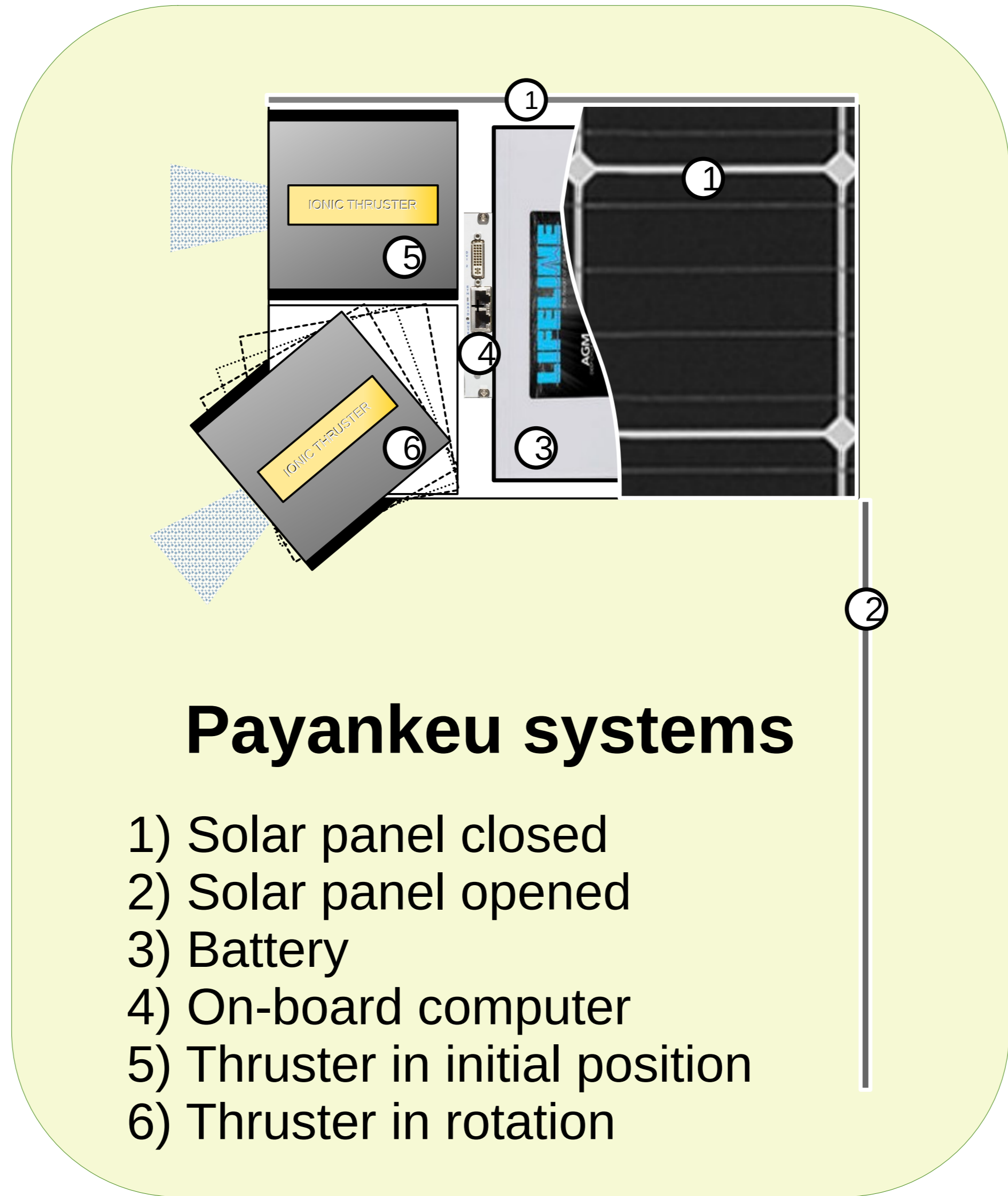
Yannis HOARAU
(The University of Reunion Island)

Michel BENNE
(The University of Reunion Island)

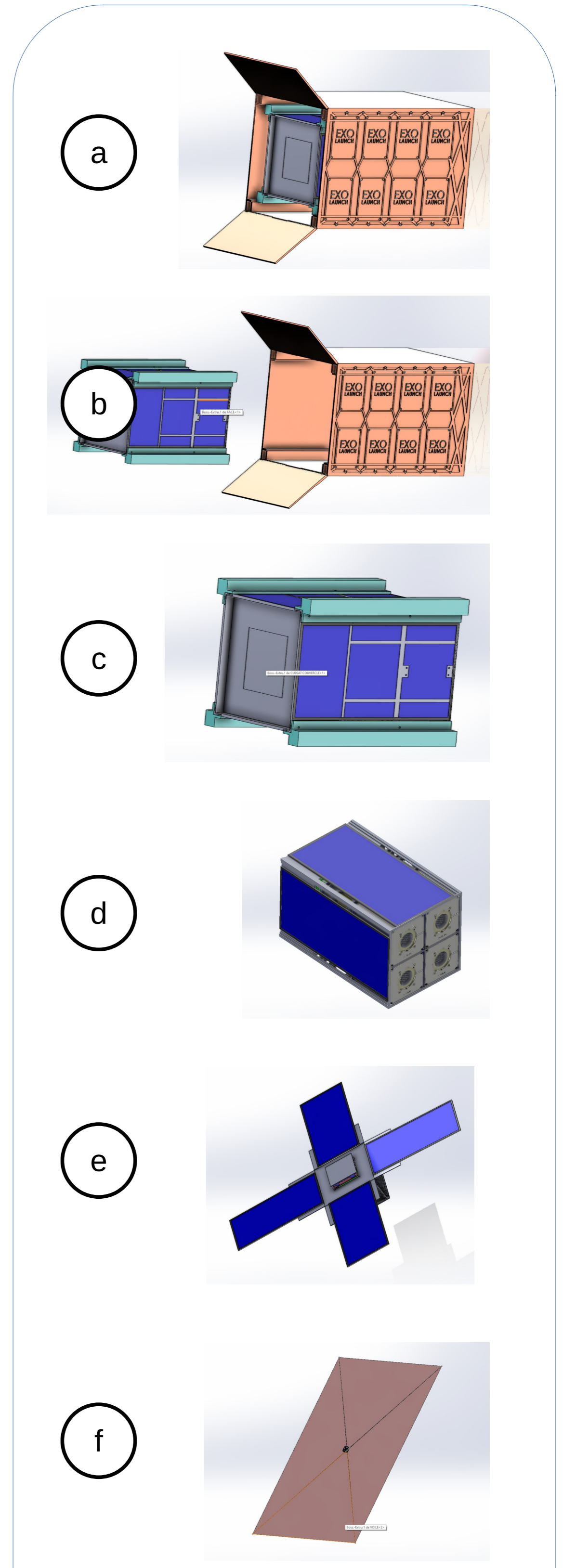
Guy PIGNOLET
(Reunion Island Space Initiative)

Email : payankeu@cahiers-cop.com

Satellite Swim Lane



Testing in a pool is low cost vs. in orbit testing



FLIGHT STEPS

To be tested

- a) P-POD is opened
- b) CubeSat goes out
- c) CubeSat waits 30'
- d) The CubeSat uses thrusters to stabilize and spin.

e) Open solar panels & launches sailcraft

f) Sail is deployed

PAYANKEU flies to the Moon.

THRUSTER SIMULATOR

- 7) Waterproof area
- 8) Wet area
- 9) Power connector
- 10) Power system
- 11) Engine
- 12) Propeller
- 13) I2C connector
- 14) Arduino Nano
- 15) Water jet

