



HAL
open science

Mass diffusion and Soret coefficient measurements of triethylene glycol/water binary mixtures by dynamic shadowgraphy

A T Ndjaka, L. García-Fernández, Dan-Esli Bouyou Bouyou, A. Lassin, M. Azaroual, F. Croccolo, H. Bataller

► **To cite this version:**

A T Ndjaka, L. García-Fernández, Dan-Esli Bouyou Bouyou, A. Lassin, M. Azaroual, et al.. Mass diffusion and Soret coefficient measurements of triethylene glycol/water binary mixtures by dynamic shadowgraphy. *European Physical Journal E: Soft matter and biological physics*, 2022, 45 (3), pp.20. 10.1140/epje/s10189-022-00171-9 . hal-04155462

HAL Id: hal-04155462

<https://hal.science/hal-04155462v1>

Submitted on 7 Jul 2023

HAL is a multi-disciplinary open access archive for the deposit and dissemination of scientific research documents, whether they are published or not. The documents may come from teaching and research institutions in France or abroad, or from public or private research centers.

L'archive ouverte pluridisciplinaire **HAL**, est destinée au dépôt et à la diffusion de documents scientifiques de niveau recherche, publiés ou non, émanant des établissements d'enseignement et de recherche français ou étrangers, des laboratoires publics ou privés.



Mass diffusion and Soret coefficient measurements of triethylene glycol/water binary mixtures by dynamic shadowgraphy

A. T. Ndjaka^{1,2}, L. García-Fernández³, D. E. Bouyou Bouyou¹, A. Lassin², M. Azaroual^{2,4}, F. Croccolo¹, and H. Bataller^{1,a}

¹ E2S UPPA, CNRS, TotalEnergies, LFCR, Université de Pau et des Pays de l'Adour, UMR5150, Anglet, France

² BRGM, F-45060 Orléans, France

³ Department of Structure of Matter, Thermal Physics and Electronics, Faculty of Physics, University Complutense of Madrid, Avda. Complutense s/n., 28040 Madrid, Spain

⁴ CNRS, BRGM, ISTO, Univ. Orléans, UMR 7327, F-45071 Orléans, France

Received 23 November 2021 / Accepted 8 February 2022

© The Author(s), under exclusive licence to EDP Sciences, SIF and Springer-Verlag GmbH Germany, part of Springer Nature 2022

Abstract The investigation of the transport properties of binary fluid mixtures remains a topic of interest in relation to the more challenging studies of ternary mixtures. In fact, the study of the phase boundary limits of the Gibbs composition triangle can be the initial step for a more complete analysis of ternary mixtures. In this paper, we apply the dynamic shadowgraphy optical technique to study non-equilibrium fluctuations induced by the presence of a gradient of temperature and/or of concentration in the triethylene glycol (TEG)/water system. These thermodiffusion and free-diffusion experiments aim at measuring the transport properties of samples of the studied system at different experimental conditions. We scan both the average temperature and the TEG concentration, which allows us investigating both positive and negative thermodiffusive behaviours. The obtained values of mass diffusion coefficient are consistent with data available in the literature in the range of temperature investigated in this study. The mass diffusion coefficient of the sample prepared at 0.7 w/w TEG concentration are characterised by shadowgraphy following the two proposed methods, exhibiting consistent results. An increase of the mass diffusion coefficient as a function of the average temperature is highlighted. On the other hand, the thermodiffusion coefficient appears to be independent of the average temperature of the sample at 0.3 w/w TEG concentration.

1

1 Introduction

2 The transport properties of complex fluids under non-
3 equilibrium conditions are of interest from both scientific
4 and technological points of view. Transport phenomena
5 occurs in almost any multicomponent mixture present
6 in nature and in industry and its comprehension is of
7 great interest for many applications, such as the
8 exploitation of crude oil wells and the storage of
9 CO₂ in deep brine aquifers. [1,2]. A suitable
10 characterization of transport processes in complex
11 mixtures requires a thorough understanding of simpler
12 fluids. So far, binary mixtures have been extensively
13 characterized [3,4]. The extension of theories and
14 experiments from binary to ternary mixtures requires

15 further development due to the intrinsic and significant
16 increase of difficulty with the number of components of
17 the mixture and their mutual interactions. Currently, a
18 great effort is devoted to investigate the transport
19 phenomena in ternary mixtures. Thermodiffusion
20 experiments in ternary mixtures are performed on
21 ground, by using different optical techniques [3,5–7],
22 or in microgravity conditions in order to avoid both
23 convection and sedimentation. The thermodynamic
24 characterization of ternary mixtures is one of the
25 objectives of different ESA projects, like: Diffusion
26 Coefficient Measurements in ternary mIXtures (DCMIX)
27 [7–11], Soret Coefficients in Crude Oil (SCCO)
28 [12–15] and Giant Fluctuations [16,17]. The
29 knowledge of the behavior of the binaries associated
30 to the ternaries remains an important step because
31 they correspond to the binary phase boundary limits
32 in the ternary Gibbs composition triangle, and
33 interpolated values of the Soret coefficient can be
34 obtained in some conditions [18].

35 Complex fluids subjected to non-equilibrium
36 conditions exhibit non-equilibrium fluctuations (NEFs)
of the thermodynamic variables [19–23]. These conditions

T.I. : Thermal non-equilibrium phenomena in fluid mixtures. Guest editors: Fernando Bresme, Bjørn Hafskjold, Werner Köhler, Francois Montel

^a e-mail: henri.bataller@univ-pau.fr (corresponding author)

can be induced, for example, by applying a temperature gradient to a multicomponent fluid mixture, thus inducing a temperature gradient within the fluid as well as a composition gradient by means of thermodiffusion, also called the Soret effect [3, 24]. Superimposing two layers at different concentrations of a solution generates an initial gradient of concentration which evolves towards an equilibrium state by mass diffusion, in the absence of convective motions [25]. Both free-diffusion and thermodiffusion transport processes can be investigated by optical techniques and particularly by light scattering thanks to its ability to visualize NEFs without altering the intrinsic properties of the fluid. The transport properties of the fluid can be determined both at atmospheric [26, 27] and at high pressure [28]. In this work, dynamic shadowgraphy has been adopted [25, 29, 30] to study the refractive index fluctuations as generated by the NEFs of the temperature and concentration in the case of thermodiffusion experiments, and of the concentration in the case of free-diffusion experiments. It is important to highlight the novelty of using this methodology to determine the transport properties of fluid mixtures in free-diffusion experiments. By shadowgraphy, a large range of fluctuation sizes λ or, conversely, of wave numbers $q = 2\pi/\lambda$, can be investigated at the same time, providing simultaneous reliable measurements of different transport properties, like mass diffusion coefficient or thermal diffusivity as well as Soret coefficient [5, 26, 31].

The aim of the present work is to investigate the diffusion and the thermodiffusion coefficients of the binary mixture of triethylene glycol (TEG) and water (H₂O), as one of the binary limits of the DCMIX3 ternary system, made of H₂O, ethanol and TEG [11]. These molecules are highly polar, and the prevailing hydrogen bonding leads to much more complex interactions than the dominating dispersion interactions in alkane mixtures for example, leading to negative values of the Soret coefficient and to convective instabilities under terrestrial gravity conditions. In this study, it is worth noting the possibility of characterising mixtures with negative Soret coefficients through the analysis of NEFs by using shadowgraph technique in both thermodiffusion and free-diffusion experiments.

The remainder of this paper is organized as follows: in Sect. 2, the experimental procedure is described. In Sect. 3, the theory of non-equilibrium fluctuations is summarized to provide the relevant working equations. The obtained results are presented in Sect. 4, finally, conclusions are provided in Sect. 5.

2 Experimental procedure

2.1 Solutions preparation and characterisation

Triethylene glycol (Sigma-Aldrich, T59455-1L, ReagentPlus®, purity 99%), used without further purification, and degassed de-ionized water (resistivity 18.5 MΩcm), retrieved from a Millipore Milli-Q filtra-

tion station, were used to prepare the studied samples at the required mixture compositions using an analytical balance (Sartorius TE313S, resolution 10⁻² g/200 g). The thermophysical properties of the mixture, such as density, viscosity and both thermal and mass expansion coefficients are measured as follows.

The kinematic viscosity ν is measured at 20, 25 and 30 °C by capillary viscometer (Ubbelohde SCHOTT). The thermal and solutal expansion coefficients α and β , respectively, are defined as follows:

$$\alpha = -\frac{1}{\rho} \left(\frac{\partial \rho}{\partial T} \right)_{C,p} \quad (1)$$

$$\beta = \frac{1}{\rho} \left(\frac{\partial \rho}{\partial C} \right)_{T,p} \quad (2)$$

where ρ is the mixture density, T is the temperature and C is the TEG concentration in mass fraction.

The coefficients α and β are indirectly determined from measurements of the mixture density performed at different conditions through a Density Meter (ANTON PAAR, DMA 5000). First, in order to determine the thermal expansion coefficient, the density is measured at different temperatures (starting from 2 °C below the nominal temperature up to 2 °C above), while keeping the concentration constant. A linear relationship between the density and the temperature is observed in all cases. The parameter α is determined through Eq. (1), i.e. dividing the slope of the density vs. temperature by the density of the sample at the nominal temperature. Second, the mass expansion coefficient is obtained after measuring the density at different concentrations (starting from 2% w/w below the nominal concentration up to 2% w/w above), while keeping the temperature constant. A linear relationship between the density and the concentration is observed in all cases. The parameter β is determined through Eq. (2), i.e. dividing the slope of the density vs. concentration by the density of the sample at the nominal concentration. Measured values of ν , α and β are summarized in Table 1.

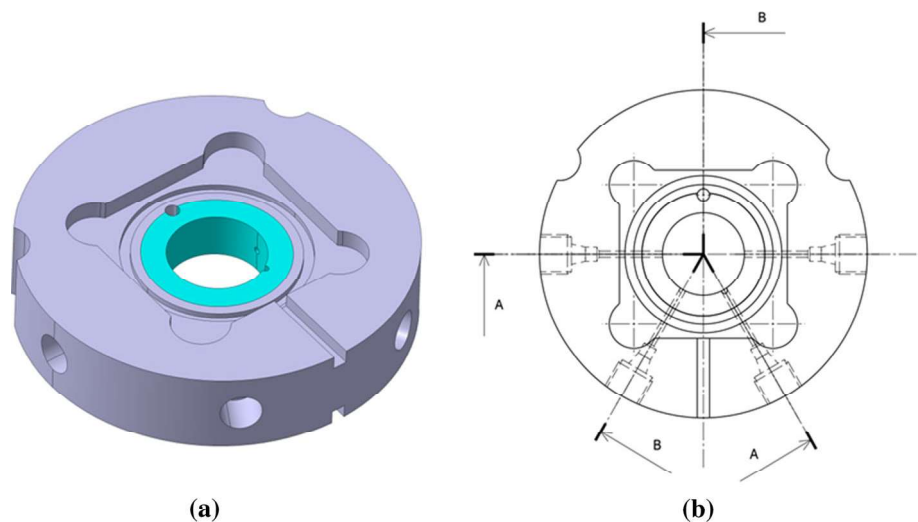
The measurements of viscosity and density are repeated at least three times for each sample. The viscosities reported in Table 1 are calculated as the average of the three measurements and the corresponding uncertainties are the standard deviations. Considering the density uncertainties and the sensitivity of the method of least-square adjustment, the uncertainties on α and β are calculated by error propagation.

2.2 Free-diffusion and thermodiffusion cells

For the free-diffusion experiments, we used a diffusion cell specifically designed to put into contact two layers of two different liquid mixtures or two solutions of the same components at different concentrations, thus creating an initial step concentration gradient at uniform temperature while providing vertical optical access to a central area of the cell, similar to the flowing-junction cell already reported in the literature [32]. The diffusion

Table 1 Kinematic viscosity ν , thermal expansion coefficient α and solutal expansion coefficient β at different both mass fraction concentrations C of TEG and temperatures T

$T(^{\circ}\text{C})$	$\nu(\text{mm}^2/\text{s})$	$\alpha(\times 10^{-4}\text{K}^{-1})$	$\beta(\times 10^{-1})$
$C = 0.3\text{ w/w}$			
20	2.72 ± 0.03	4.22 ± 0.02	1.59 ± 0.08
25	2.32 ± 0.02	4.49 ± 0.02	1.55 ± 0.07
30	2.01 ± 0.02	4.77 ± 0.02	1.51 ± 0.07
$C = 0.5\text{ w/w}$			
20	6.25 ± 0.06	5.77 ± 0.01	0.145 ± 0.009
25	5.20 ± 0.05	5.87 ± 0.01	0.138 ± 0.005
30	4.34 ± 0.04	6.02 ± 0.01	0.134 ± 0.003
$C = 0.7\text{ w/w}$			
20	14.8 ± 0.1	6.633 ± 0.007	0.96 ± 0.02
25	11.9 ± 0.1	6.712 ± 0.004	0.949 ± 0.006
30	9.7 ± 0.1	6.799 ± 0.005	0.938 ± 0.008

Fig. 1 **a** 3D-drawing of the stainless steel annulus with the Teflon ring in the inner part. **b** 2D-drawing of the same, as observed from the top

146 cell consists of a stainless steel annulus (see Fig. 1) with
 147 internal and external diameters of 30 mm and 80 mm,
 148 respectively, and a vertical thickness of $h = 10$ mm. The
 149 metallic annulus hosts four holes: two for fluids outlets
 150 at 180° in the horizontal plane and at mid-height of
 151 the cell in the vertical direction, and two for fluid inlet
 152 at 50° in the horizontal plane and at the same height in
 153 the vertical direction. In order to avoid the thermal contact
 154 between the liquid sample and the interior of the
 155 conductive metallic annulus, a polytetrafluoroethylene
 156 (Teflon®) ring with an internal and external diameter
 157 of 20 mm and 30 mm, respectively, is placed inside
 158 the stainless steel annulus (see Fig. 1a). This ring has
 159 also four thin holes in correspondence to those present
 160 in the metallic annulus to allow the circulation of the
 161 fluids. Moreover, the two holes for the fluid inlets are
 162 inclined in the vertical direction so that one incoming
 163 fluid is steered to the top of the cell, while the other
 164 one is steered to the bottom of the cell.

165 The stainless steel annulus is designed to accommodate
 166 two square sapphire windows ($8 \times 40 \times 40\text{ mm}^3$),
 167 one on each vertical side with a groove for a Viton®
 168 O-ring for sealing. The two internal faces of the two
 169 sapphire windows are then separated by the metal annulus

and kept apart by $h = 10$ mm, thus defining the vertical
 thickness of the fluid sample. The external surfaces
 of the two sapphire windows are in contact with two
 square aluminium plates with a central circular aperture
 with a diameter $d = 13$ mm. These plates are meant
 for hosting two temperature sensors so to measure the
 temperature as close as possible to the sapphires.
 The aluminium plates are also in contact with two
 square Peltier elements (Kryotherm, TB-109-1.4-
 1.5 CH) which can transport heat by means of a
 current flow and have the same central circular
 aperture. The Peltier elements provide/remove the
 heat necessary to maintain the set-point temperature
 as driven by two temperature controllers (Wavelength
 Electronics, LFI-3751) which use a proportional-
 integrating-derivative feedback system and maintain
 the temperature of the internal side of each Peltier
 device constant, with stability better than 1 mK
 RMS over 1 day. As shown in Fig. 2, all these
 elements are clamped by means of two aluminium
 blocks (with the same central circular aperture) in
 which water coming from a thermostatic controlled
 bath (Huber, ministat 125), circulates in order to
 remove the Peltier elements excess heat.

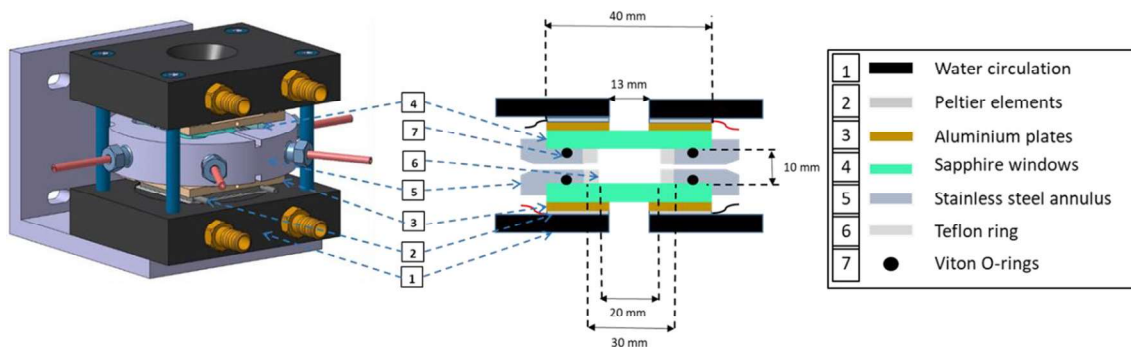


Fig. 2 3D drawing of the free-diffusion cell

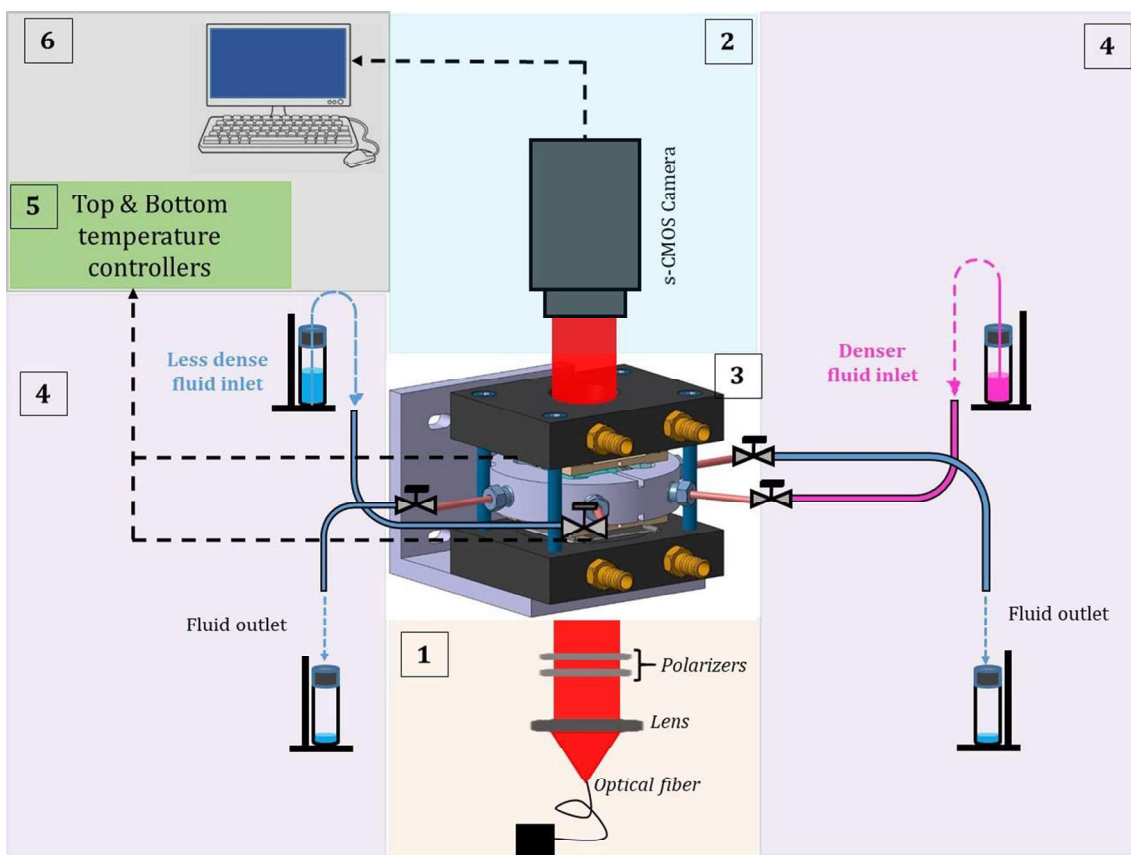


Fig. 3 Shadowgraph optical set up summarized in six distinct blocks: 1 optical components; 2 s-CMOS Camera; 3 free-diffusion/thermodiffusion cell; 4 specific filling procedure; 5 temperature controllers; 6 computer equipment

External to the stainless steel ring, metallic capillary tubes with external diameter of 1/8 inch and about 50 mm of length (the red stems visible in Fig. 2) are connected to each inlet/outlet. These capillary tubes end with a manual valve each (Swagelok, SS-41GS2), as shown in Fig. 3. The sample reservoirs are connected to the valves via flexible capillary tube (same external diameter as the metallic capillary tubes).

The cell filling is performed in two main steps. In the first step, the diffusion cell is completely filled with the less dense fluid. In order to do that, the fluid is slowly injected by gravity through the lower part, while air is let out of the outlet pointing to the top. By slightly tilting the cell, the residual air can be completely removed.

Attention is paid to avoid any further air inlet while filling the other three capillary tubes. The second step consists of filling the bottom half of the cell with the denser fluid and create a sharp interface between the two fluids. This is achieved by filling the cell simultaneously with the two fluids from the bottom and the top inlets, while the remixed fluid is let out through the two outlets. Once half of the cell is filled with the denser fluid (the volume of fluid to be injected into the cell to fill it by half, taking into account the length and the internal diameter of capillary tubes and the dead volumes is calculated beforehand), a relatively flat horizontal interface between the two fluids is formed. The four

valves are simultaneously closed and the free-diffusion process starts.

For the thermodiffusion experiments the stainless steel annulus is replaced by a Viton O-ring with an internal diameter of $d = 25$ mm and thickness of $e = 3$ mm, the other components remain unchanged and capillaries are not necessary. The two sapphire windows are kept apart by four plastic spacers of $h = 2.00 \pm 0.01$ mm, thus defining the liquid layer thickness. The cell is filled by means of two syringe needles punctured through the Viton O-ring. During the filling procedure, the cell is inclined and the fluid is pushed through the bottom syringe while air is removed through the top one. After filling, the two needles are carefully removed and the holes in the O-ring close due to the pressure exercised on it by the sapphire windows. The cell is inserted into the shadowgraph setup once the filling is finished. For any given mean temperature, a temperature difference between the top and the bottom is applied by setting the corresponding temperatures to the Peltier elements. Once the stationary state is reached, i.e. after one diffusive time for the cell, the image recording is started.

2.3 Shadowgraph setup

The shadowgraph optical setup (Fig. 3) involves a super luminescent diode (Super Lumen, SLD MS-261-MP2-SM, $\lambda = 675 \pm 13$ nm), connected to a single-mode optical fiber. The divergent beam at the output of the fiber is collimated by an achromatic doublet lens (focal length $f = 150$ mm, and diameter $\phi = 50.8$ mm). The collimated beam passes through the free-diffusion cell, or the thermodiffusion cell, via two linear polarizers that allow adjusting the average transmitted light intensity, and is supposed to be perpendicular to the interface between the two solutions, in the case of free diffusion experiments, or parallel to the temperature gradient in the case of thermodiffusion experiments. A camera, whose detection plane is positioned at a distance of $z = (12.0 \pm 0.5)$ cm from the sample central plane, collects the sum of the light scattered by the NEFs plus the transmitted one. As a camera sensor, we use a scientific-CMOS camera (Hamamatsu Digital Camera C13440, ORCA - Flash 4.0 V3) whose detector size is $s = 13.3$ mm. This camera sensor allows a fast image acquisition frequency, up to 100 Hz at full frame resolution of 2048×2048 square pixels with a pixel side of $l_{pix} = 6.5$ μm . Images are acquired in real time by the HCLive (x64) software program installed in a dedicated PC. In order to have both a good stability of acquisition frequency and a quick backup of the images, we use 4 Solid-State Drive (SSD) hard disks in RAID0 configuration.

2.4 Dynamic near field imaging

The images acquired in the near field consist of an intensity map $I(\vec{x}t)$, generated by the interference on the s-CMOS plane between the portion of the incident

beam that has passed undisturbed through the sample and the beams scattered by the refractive index fluctuations occurring within the sample. Here, \vec{x} and t stand for the position in the image plane and the time lapsed during the acquisition, respectively. Thanks to the interference of different beams, the fluctuations in the fluid density, that are proportional to the fluctuations of the fluid refractive index, are transformed into fluctuations of the light intensity at the detector plane. Therefore, in order to study the dynamics of the density fluctuations in our samples, we calculate the Structure Function (SF) of the light intensity, i.e. of the acquired images, by means of an already proven Differential Dynamic Algorithm (DDA) [33]. The DDA algorithm consists of the following main steps: first, each recorded image $I(\vec{x}t)$ is Fourier transformed in the 2D spatial space of the detector plane to obtain $I(\vec{q}, t) = \mathcal{F}(I(\vec{x}, t))$, then the Fourier transform (FT) is normalised by dividing it by the zero spatial frequency $i(\vec{q}, t) = I(\vec{q}, t) / I(\vec{0}, t)$ in order to remove the source intensity fluctuations. Then, the differences between normalized FTs at a given time difference Δt (called correlation time) $\Delta i(\vec{q}, t, \Delta t) = i(\vec{q}, t) - i(\vec{q}, t + \Delta t)$ are calculated. These Δt 's are, of course, multiples of the time delay dt_{min} of the recording process, and cannot be larger than the acquisition duration. Finally, the 2D correlation functions are calculated by determining the - square moduli $|\Delta i(\vec{q}, t, \Delta t)|^2$ of the FT differences, and the individual spatial Fourier transforms of the image differences are averaged, first over all times and second over the modulus of the wave number \vec{q} over the azimuthal angle. The result $\langle |\Delta i(q, \Delta t)|^2 \rangle_{q,t}$ is the SF of the recorded intensity fluctuations. In order to reduce the computational time to calculate the structure function out of the image series, we make use of a graphic card with the advantage of the massive parallelization on the Graphic Processing Unit (GPU) and an in-house developed software [33, 34]. This experimental quantity requires a physical model for its interpretation. The details of the theoretical model can be found elsewhere [19, 20]. In the present paper, we just recall the essential equations used to fit the SF.

2.5 Structure function analysis

The SF can be related to the power spectrum density fluctuation and the characteristics of the optical system as follows:

$$\langle |\Delta i(q, \Delta t)|^2 \rangle = 2 \{ T(q) S(q) [1 - ISF(q, \Delta t)] + B(q, \Delta t) \} \quad (3)$$

where $T(q)$ is the optical transfer function of the shadowgraph, $S(q)$ the static power spectrum of the fluctuations, the product $A(q) = T(q) S(q)$ is called the static structure factor (independent of the correlation time) and $B(q, \Delta t)$ is the signal background. It includes different contributions like electronic noise due to the camera and all the acquisition chain and can be modelled by

$B(q, \Delta t) = C(q) + E(q) \cdot \Delta t + F(q) \cdot \Delta t^2$ The parabolic term $F(q) \cdot \Delta t^2$ becomes particularly important for the experiments performed in the free-diffusion configuration, where the system is never at the steady state, so that the background noise becomes time-dependent. The Intermediate Scattering Function $ISF(q, \Delta t)$ corresponds to the dynamic part of the SF, that can be described in many cases as the sum of exponential decays [35–37]: $ISF(q, \Delta t) = \sum_i a_i \exp(-\Delta t/\tau_i(q))$, where a_i are the amplitudes of the different modes with $\sum_i a_i = 1$ and $\tau_i(q)$ the wave-number-dependent relaxation times.

During a free-diffusion experiment, the density fluctuations recorded through the shadowgraph are mostly due to concentration-NEFs (c-NEFs) that are much more intense (orders of magnitude) than equilibrium temperature and/or concentration fluctuations present at the same time for the wave number range of our interest. Thus, the ISF is expected to be well described by a single exponential decay for all wave numbers. Thus, the SF is supposed to take the following form:

$$\langle |\Delta i(q, \Delta t)|^2 \rangle = 2 \left\{ A(q) \left[1 - \exp\left(-\frac{\Delta t}{\tau_c(q)}\right) \right] + C(q) + E(q) \cdot \Delta t + F(q) \cdot \Delta t^2 \right\} \quad (4)$$

where $\tau_c(q)$ is the decay time of the c-NEFs at wave number q .

When a stable temperature gradient parallel to the gravity field is applied to a homogenous binary fluid mixture, a concentration gradient is formed due to the Soret effect [3]. Hence, at the steady state of a thermodiffusion experiment a suitable expression for the ISF can be provided by the sum of two exponential decays given by the fluctuations of the concentration plus the fluctuations of the temperature (t-NEFs). The SF is supposed to take the following form:

$$\langle |\Delta i(q, \Delta t)|^2 \rangle = 2 \left\{ A(q) \left[1 - \left\{ a \times \exp\left(-\frac{\Delta t}{\tau_T(q)}\right) + (1-a) \times \exp\left(-\frac{\Delta t}{\tau_c(q)}\right) \right\} \right] + C(q) + E(q) \cdot \Delta t + F(q) \cdot \Delta t^2 \right\} \quad (5)$$

where $\tau_T(q)$ is the decay time of the t-NEFs at wave number q .

$A(q), \tau_i(q), C(q), E(q)$ and $F(q)$ are the fitting parameters at each wave number. In the case of a thermodiffusion experiment, if the steady state is fully reached, the term $F(q)$ is supposed to be negligible. However, we keep it in the fit in order to check the validity of our hypothesis and to be sure that the steady

state has been reached. We use MATLAB and an implemented Levenberg-Marquand nonlinear least-square fitting routine [38]. At the end of the fitting, we proceed to the analysis of the statics of the fluctuations through the static structure factor $A(q)$, as well as to the analysis of the dynamics of the fluctuations through the decay times $\tau_i(q)$. In the present paper, we will focus on the dynamics of the fluctuations.

3 Dynamics of the non-equilibrium fluctuations

The details of the theoretical description of the hydrodynamic behaviour of density fluctuations out-of-equilibrium can be found elsewhere [19, 20], so that here we just recall the main expressions useful for the experimental data analysis.

At intermediate and large wave numbers, in the absence of any convective movement, in the presence of the gravity force and in the bulk fluid, the decay time of the c-NEFs is given by:

$$\tau_c(q) = \frac{1}{Dq^2 \left[1 + \left(\frac{q_c}{q}\right)^4 \right]} \quad (6)$$

where D is the mass diffusion coefficient and q_c the cut-off wave number which defines the length scale below which the dynamics of the c-NEFs are no longer dominated by diffusion, but rather by buoyancy. The curve of the decay times as a function of wave numbers looks like a bell-shape (in log-log scale) and mirrors the presence of two distinct regimes as already reported in a number of previous publications [25, 26, 39]. The asymptotic behaviour of Eq. 6 for wave numbers larger than q_c is $\tau_c(q) = 1/Dq^2$ so that the diffusion coefficient D can be obtained from the fitting of the experimental data points in this region. In the case of a thermodiffusion experiment, the cut-off wave number is given by the expression [26, 28, 31, 40]:

$$q_c = \left(\frac{\beta g S_T C_0 (1 - C_0) \Delta T}{h \nu D} \right)^{1/4} \quad (7)$$

where β is the mass expansion coefficient of the binary mixture, g the gravitational acceleration, h is the vertical thickness of the sample, C_0 the equilibrium mass fraction of the denser component, S_T the Soret coefficient of the denser component, ΔT the difference of temperature between the top and the bottom of the thermodiffusion cell, and ν the kinematic viscosity of the binary mixture at the mean temperature of the experiment.

During a free-diffusion experiment, the concentration difference between the bottom and the top of the cell is assumed to remain constant until the diffusive process reaches the cell boundaries at the diffusive time $\tau_d =$

426 $(h/2)^2/\pi D$. For times smaller than τ_d the cut-off wave
 427 number is given by the expression [25, 39, 41]:

$$428 \quad q_c = \left(\frac{\beta g (C_1 - C_2)}{\nu D \sqrt{4\pi D t}} \right)^{1/4} \quad (8)$$

429 where C_1 and C_2 are the concentrations of the denser
 430 component, TEG, at the bottom and top layers in the
 431 diffusion cell, respectively. Unlike the thermodiffusion
 432 experiment, the cut-off wave number is time-dependent,
 433 following a power law with a $(-1/8 = -0.125)$ expo-
 434 nent.

435 Again, here we recall only the essential equations that
 436 are used to model the t-NEFs in the case of thermodif-
 437 fusion experiments.

438 At intermediate and large wave numbers, in the
 439 absence of convection, in the presence of the gravity
 440 force and in the bulk fluid, the decay time of the t-
 441 NEFs is given by:

$$442 \quad \tau_T(q) = \frac{1}{a_T q^2 \left[1 + \left(\frac{q_T}{q} \right)^4 \right]} \quad (9)$$

443 where a_T is the thermal diffusivity and q_T the ther-
 444 mal cut-off wave number which defines the length scale
 445 below which the dynamics of the t-NEFs is no longer
 446 dominated by heat diffusion, but rather by buoyancy.
 447 The curve of the decay times as a function of wave num-
 448 bers looks similar to the one described for c-NEFS, but,
 449 in general, decay times are shorter, due to the larger
 450 value of thermal diffusivity with respect to mass diffu-
 451 sion coefficient. The asymptotic behaviour of Eq. 9 for
 452 wave numbers larger than q_T is $\tau_T(q) = 1/(a_T q^2)$ so
 453 that the thermal diffusivity a_T can be obtained from the
 454 fitting of the experimental data points in this region.

455 4 Results and discussion

456 Mass diffusion and Soret coefficients for the mixture
 457 TEG/water at different concentrations are already
 458 known in the literature [42]. The present paper is
 459 intended to bring new measurements of the fluid trans-
 460 port properties at different temperatures. Some of
 461 the values reported here are anticipated in a joint
 462 paper about the system TEG/water/ethanol and the
 463 associated binary mixtures characterised by different
 464 measurement techniques [18]. Here we provide a full
 465 detailed description of the experiments performed in
 466 our laboratory by means of dynamic shadowgraphy and
 467 the analysis of NEFs.

468 4.1 Thermodiffusion experiments

469 One remarkable property of the TEG/water mixture
 470 is that the sign of the Soret coefficient changes with
 471 respect to concentration. This implies that under ther-
 472 mal stress the denser component (TEG) migrates

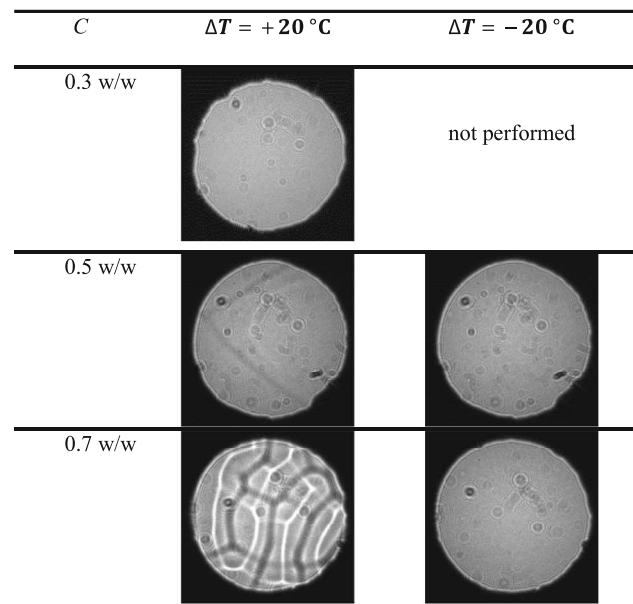


Fig. 4 Shadowgraph patterns obtained at a mean temper-
 ature of 25 °C after applying different temperature gradi-
 ents to samples of TEG concentration C (from top to bottom)
 0.3, 0.5 and 0.7 w/w. The temperature difference over the
 cell thickness is of $\Delta T = +20^\circ\text{C}$ (heating from above) for
 the left column, and $\Delta T = -20^\circ\text{C}$ (heating from below)
 for the right one

towards either the hot plate or the cold one. For $C =$
 0.3 w/w, the Soret coefficient is positive, so that the
 TEG migrates towards the cold plate, while for concen-
 trations higher than $C = 0.5$ w/w the Soret coefficient
 is negative in the temperature range between 15 °C and
 40 °C, so that the TEG accumulates at the hot plate.
 The presence of a negative Soret coefficient makes it
 difficult to perform thermodiffusion experiments in the
 presence of the gravitational field because, while heat-
 ing the mixture from above, the density gradient gen-
 erated by the concentration one (at the steady state of
 Soret separation) is unstable and can induce convection
 transport process in the system.

A first series of qualitative observations at the aver-
 age temperature of 25 °C have been performed for
 three different concentrations by applying to the sam-
 ples either a stabilizing or a destabilizing temperature
 gradient. A stabilizing temperature gradient generates
 a density gradient parallel to the gravity acceleration.
 It is thus obtained by heating from above $\Delta T = +20$ K
 and with a positive thermal expansion coefficient α . A
 destabilizing temperature gradient generates a density
 gradient anti-parallel to the gravity acceleration. It is
 thus obtained by heating from below $\Delta T = -20$ K.

As visible in Fig. 4, samples for $C = 0.3, 0.5$ and 0.7
 w/w have been stressed by positive and negative tem-
 perature differences while shadowgraph images were
 recorded in order to evaluate the presence of convective
 patterns after reaching the steady state of the Soret
 separation. The patterns obtained by heating the sam-
 ples for $C = 0.3$ w/w from above (thermally stable),

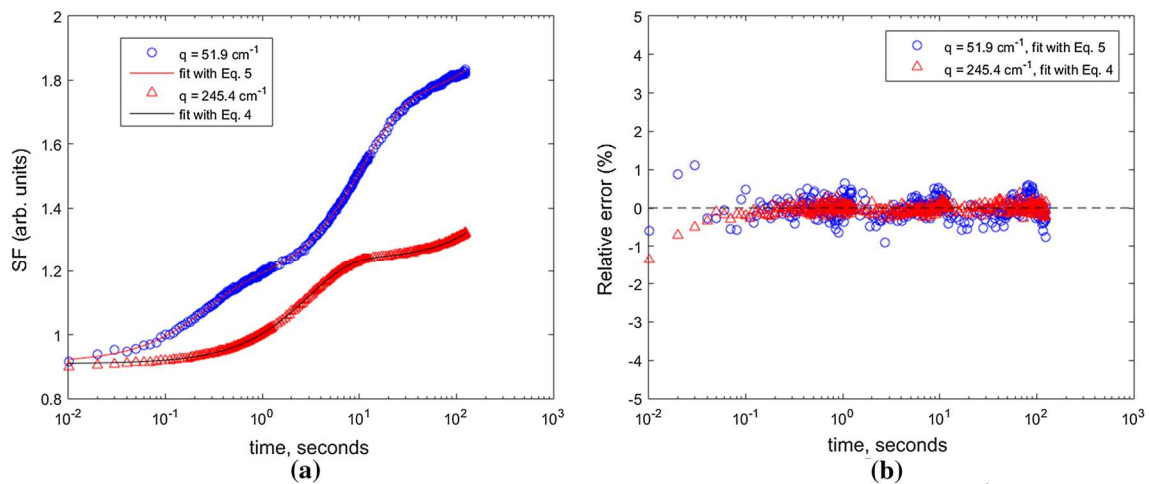


Fig. 5 **a** Concatenated structure functions for different wave numbers of the thermodiffusion experiment carried out at temperature difference of $+20\text{ }^\circ\text{C}$, mean temperature of $25\text{ }^\circ\text{C}$ and $C = 0.3\text{ w/w}$. **b** Corresponding relative errors between data points and the theoretical models

are featureless at the steady state, thus suggesting a stable configuration. In the patterns visible at $C = 0.5\text{ w/w}$ slight features appear, thus suggesting a moderate convective instability taking place within the fluid. This means that the density gradient originated by the concentration gradient is slightly larger in modulus than the density gradient generated by the temperature gradient. Finally, strong convective patterns appear in the case for $C = 0.7\text{ w/w}$ thus confirming the negative sign of the Soret coefficient for the mixture TEG/water for concentration of TEG larger than 0.5 w/w .

For the cases when a stable configuration was reached at the steady state, series of images were recorded in order to analyse the NEFs and extract the transport properties of the mixture as described above. Series of 2500 images of $2048 \times 2048\text{ pix}^2$ were recorded at 100 Hz, 10 Hz and 1 Hz at different mean temperatures of 20, 25 and $30\text{ }^\circ\text{C}$.

The SFs were calculated and concatenated according to a procedure already presented in our previous work [36,37]. The resulting SFs obtained for the concentration of 0.3 w/w of TEG and the average temperature of $25\text{ }^\circ\text{C}$ is shown in Fig. 5a.

The minimum accessible wave number is given by $q_{min} = 2\pi/L$, L being the side of the image in the real space. For the acquired images, $L = 1.33\text{ cm}$, so that $q_{min} = 4.72\text{ cm}^{-1}$. The theoretical maximum frequency is $q_{max} = (N_{pix}/2) \cdot q_{min} = 4833\text{ cm}^{-1}$, N_{pix} being the number of the pixels along one side of the images.

By the analysis of the concatenated SFs, like those shown in Fig. 5a, we could determine that a double exponential decay is present for wave numbers $q < 200\text{ cm}^{-1}$, while a simple exponential decay is present for wave numbers $q > 200\text{ cm}^{-1}$. In Fig. 5b the relative errors residuals between the experimental points and the theoretical models for wave numbers $q = 51.9\text{ cm}^{-1}$ and $q = 245.4\text{ cm}^{-1}$ are reported. The values are typically smaller than 1% and random spread around zero, indicating a good match between models and experimental data. Following these observations, the SFs have

been fitted by Eq. 5 for wave numbers smaller than 200 cm^{-1} and Eq. 4 for larger ones. As anticipated, the resulting values for the parameters $E(q)$ and $F(q)$ turned out to be negligible, as an indirect confirmation that the images have been acquired at the steady state of the thermodiffusion experiment. In this case, the quantity $A(q)/C(q)$ can be calculated and provides a useful indication of the signal-to-noise ratio of the measurement. In Fig. 6, the values of such ratio are reported for measurements performed at $C = 0.3$ and 0.7 w/w and for different average temperatures.

The oscillations visible in the graphs are related to the shadowgraph transfer function $T(q)$ that vanishes at specific wave number. The horizontal line visible in Fig. 6 stands for the threshold value of 0.05 above which we consider that a shadowgraph measurement cannot provide reliable results [43,44]. After such analysis, we decided to perform the fitting in the common wave number range from 30 to 450 cm^{-1} for both mixtures, thus spanning more than one decade in wave numbers.

The decay times obtained by fitting data points with the model functions described above are reported in Fig. 7. In the latter, results are shown for the two concentrations of $C = 0.3$ and 0.7 w/w at the three different temperatures.

In both cases, two time decays can be identified for most of the wave numbers. The fastest modes, corresponding to the smaller value of the time decay, are related to the decay of thermal fluctuations. Data points obtained for $C = 0.7\text{ w/w}$ are more scattered than those obtained for $C = 0.3\text{ w/w}$. A possible explanation can be related to the negative Soret coefficient and the consequent coexistence of a stable density gradient stemming from concentration profile and an unstable one stemming from the temperature profile. Nevertheless, two diffusive regimes are clearly visible in both graphs, as indicated by the decay time behavior proportional to q^{-2} . On the contrary, the gravitational effect is almost not observable and no clear maximum can be detected for the thermal modes. Nevertheless,

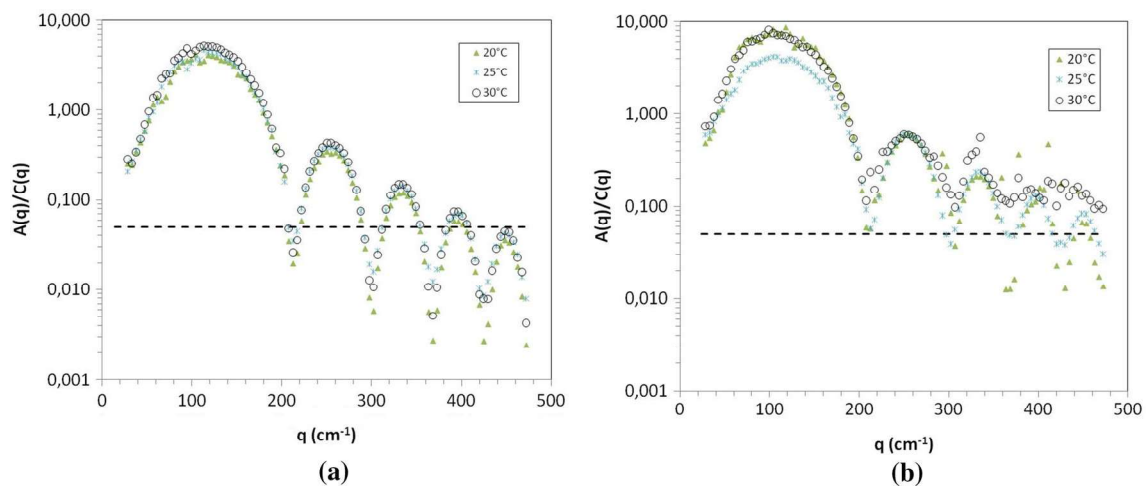


Fig. 6 Ratio between the static structure factor and the signal background as a function of the wave number and the mean temperature for the thermodiffusion experiments carried out at temperature difference of **a** +20 °C for $C = 0.3$ w/w and **b** -20 °C for $C = 0.7$ w/w

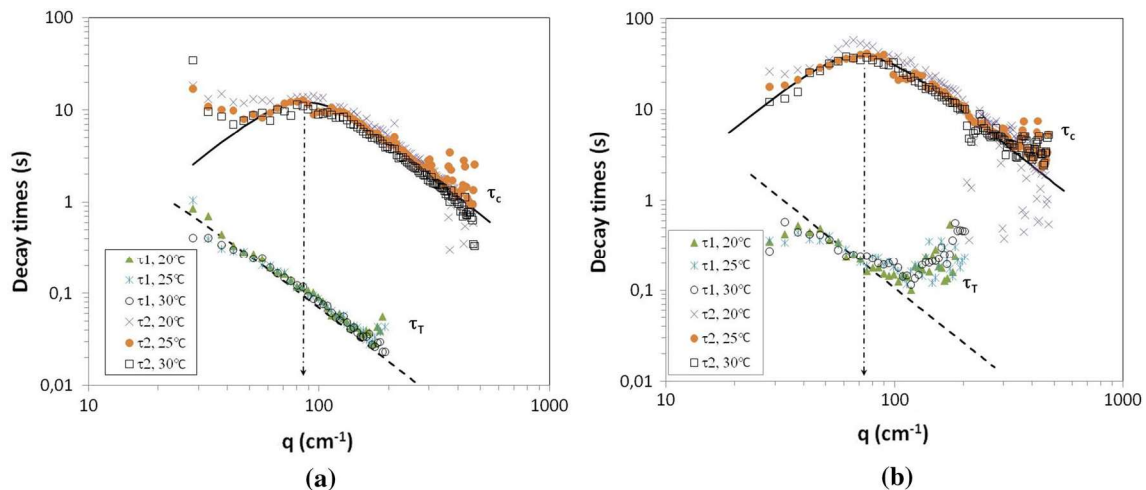


Fig. 7 Decay times of the t-NEFs (τ_T) and the c-NEFs (τ_C) as a function of the wave number and for three different values of the mean temperature for the thermodiffusion experiments carried out at temperature difference of a) +20 °C for $C = 0.3$ w/w and b) -20 °C for $C = 0.7$ w/w. The continuous lines represent the fitting of the c-NEFs at 25 °C with Eq. 6. The dashed lines represents the fitting of the t-NEFs at 25 °C with the asymptotic behavior of Eq. 9

584 fitting the thermal time decays with the asymptotic
 585 behaviour of Eq. 9 can provide a reliable estimation
 586 of the thermal diffusivity a_T . The slowest modes are
 587 then related to the decay of concentration fluctuations.
 588 For the two concentrations, a mass diffusive mode can
 589 be detected as well as the effect of gravity reducing the
 590 time decay of NEFs for wave numbers smaller than a
 591 characteristic value (q_c). Fitting the concentration time
 592 decays with Eq. 6, provides the mass diffusion coefficients
 593 D and the cut-off wave numbers q_c at different
 594 mean temperatures. At the smallest wavenumbers for
 595 $C = 0.3$ w/w, a deviation between the experimental
 596 points and the gravity behaviour predicted by Eq. 6 is
 597 noticeable. Such behaviour has already been observed
 598 on polymer-based systems (slowing-down of the larger
 599 fluctuations) [36, 37], and can be attributed to the cou-

pling between different modes, and can also explain why
 the gravitational behaviour of the thermal fluctuations
 is not detectable. With the values of D , q_c , β and ν the
 Soret diffusion coefficients S_T are calculated through
 Eq. 7. The resulting values of the transport coefficients
 obtained by thermodiffusion experiments are reported
 in Table 2.

Uncertainties for the mass diffusion coefficients, cut-
 off wave numbers and thermal diffusivities are those
 given by the fitting routine. Uncertainties for the Soret
 coefficients are calculated by error propagation. The
 values reported in Table 2 show that the diffusion coef-
 ficient increases with the temperature for the two TEG
 concentrations, which is a reasonable behaviour as fluid
 viscosity typically decreases with increasing tempera-
 ture and the mass diffusion coefficient is inversely pro-

Table 2 Diffusion coefficients D , cut-off wave number q_c , thermal diffusivity a_T and Soret coefficient S_T obtained by thermodiffusion experiments of TEG/water mixtures at different mean temperatures T and TEG mass fraction concentration C

T ($^{\circ}\text{C}$)	D ($\times 10^{-6}$ cm^2/s)	q_c (cm^{-1})	a_T ($\times 10^{-4}$ cm^2/s)	S_T ($\times 10^{-3}$ K^{-1})
$C = 0.3$ w/w				
20	4.79 ± 0.12	86.7 ± 1.1	13.1 ± 0.4	2.3 ± 0.3
25	5.46 ± 0.15	86.8 ± 1.3	13.1 ± 0.2	2.3 ± 0.3
30	6.4 ± 0.3	84 ± 2	13.29 ± 0.13	2.0 ± 0.4
$C = 0.7$ w/w				
20	2.02 ± 0.08	70.7 ± 1.5	9.4 ± 0.2	-3.8 ± 0.6
25	2.6 ± 0.1	70.3 ± 1.4	9.4 ± 0.4	-3.9 ± 0.6
30	2.73 ± 0.06	70.5 ± 0.8	9.4 ± 0.4	-3.4 ± 0.3

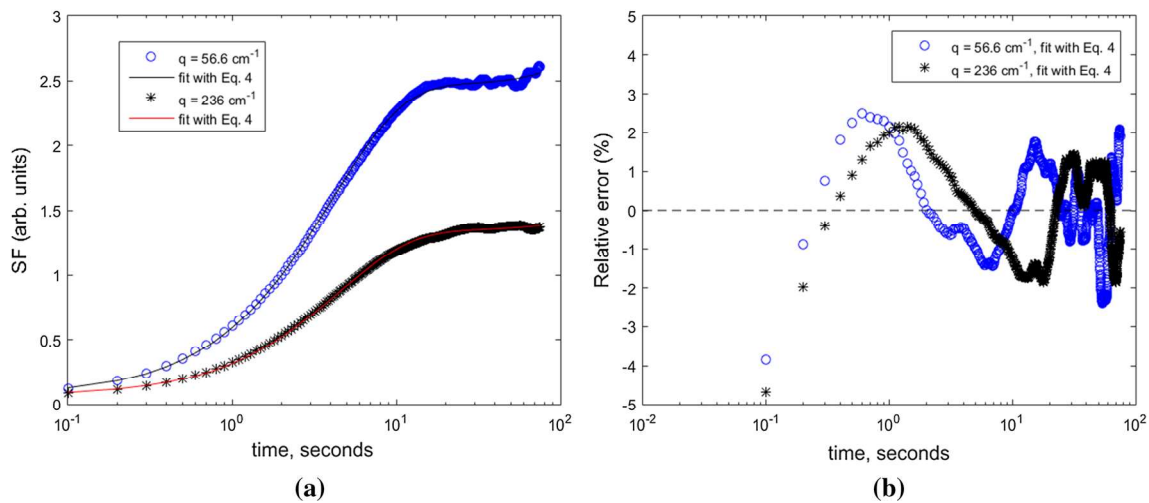


Fig. 8 **a** Structure function for different wave numbers of the free-diffusion experiment carried out at the mean concentration of $C = 0.5$ w/w, difference of concentration $\Delta C = 0.2$ w/w between the bottom and top layer solutions,

mean temperature of 25°C and 80 minutes after closing the valves. **b** Corresponding relative errors between data points and the theoretical models

portional to the fluid viscosity, following the Stokes-Einstein relation. Taking into account the uncertainties, the values of the Soret coefficient do not change over the investigated temperature range for $C = 0.3$ w/w, and a clear trend is not observed for $C = 0.7$ w/w.

4.2 Free-diffusion experiments

For the concentration $C = 0.5$ w/w it was not possible to obtain a reliable measurement of the mass diffusion coefficient from the thermodiffusion experiments, due to the negative value of the Soret coefficient, close to zero [18]. Therefore, free-diffusion experiments were performed at the average temperatures of 20, 25 and 30 $^{\circ}\text{C}$. Further experiments were performed in free-diffusion for the concentration $C = 0.7$ w/w in order to confirm the results obtained by thermodiffusion, given the fact that this is the first time that a shadowgraph investigation of NEFs is performed on a sample with negative Soret coefficients to extract its transport coefficients. In the case of a free-diffusion experiment, the diffusion cell is filled as described in Sect. 2.2. Briefly, the

diffusion cell is first filled with the less dense solution and subsequently, the less dense and the denser solution fills about half of the cell, the valves are closed and the free-diffusion process starts. In the case of the isothermal diffusion experiment, only one mode is expected to be measured corresponding to the relaxation of c-NEFs in the fluid mixture. The time decays are therefore expected to span a narrower range of time, so that only one series of images of 1024×1024 pix^2 is acquired at a frequency of 10 Hz. In this simpler case, the SFs are directly calculated by the DDA algorithm without further processing, as shown in Fig. 8a for the average concentration of $C = 0.5$ w/w, a difference of concentration of $\Delta C = C_1 - C_2 = 0.2$ w/w between the two superposed fluid layers, a homogeneous temperature of 25°C , and 80 minutes after closing the valves.

In Figure 8b we report the relative errors between the calculated SF and the fitting by a mono-exponential model of the ISF (Eq. 4). At long correlation times the residuals are slightly larger, but every time smaller than 3%, so that data points can be fitted through Eq. 4 for the entire range of wave numbers. In Fig. 9 the signal-

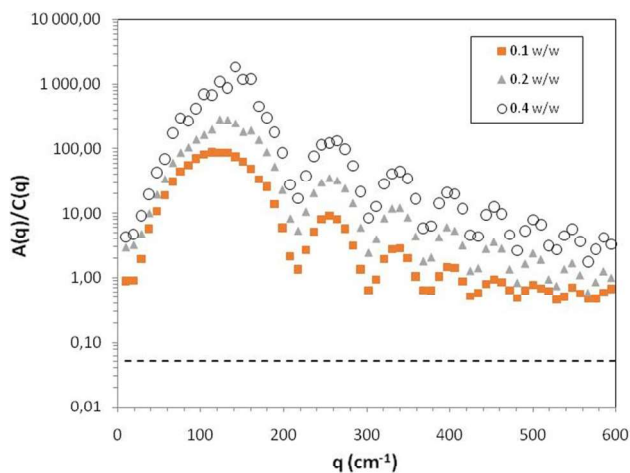


Fig. 9 Ratio between the static structure factor and the signal background as a function of the wave number for the free-diffusion experiments carried out at mean concentration of $C = 0.5$ w/w, and for different concentration differences between the bottom and the top layers, at 25 °C and 80 minutes after closing the valves

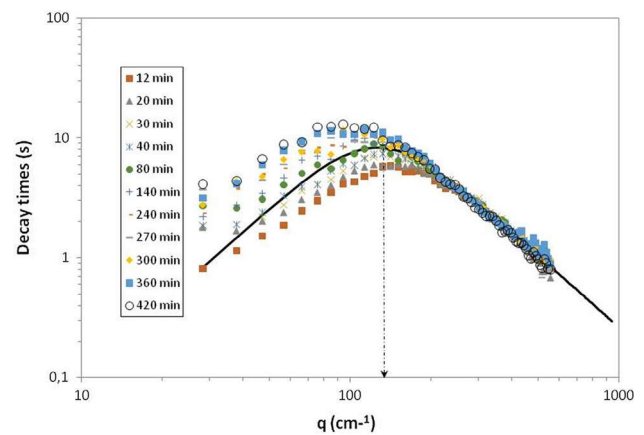


Fig. 10 Decay times of the c-NEFs as a function of the wave numbers for different times after closing the inlet/outlet valves for the free-diffusion experiment carried out at $C = 0.5$ w/w, difference of concentration $\Delta C = 0.2$ w/w and $T = 25$ °C. The continuous black line corresponds to the curve got by fitting Eq. 6 to data points obtained 80 minutes after starting the free-diffusion experiment

658 to-noise ratio is shown for the sample with $C = 0.5$
 659 w/w and the homogeneous temperature $T = 25$ °C for
 660 images taken 80 minutes after closing the inlet/outlet
 661 valves. The values are reported for three different val-
 662 ues of the concentration difference $\Delta C = 0.1, 0.2$ and
 663 0.4 w/w. By comparing Figs. 6 and 9, it is evident that the
 664 signal obtained in the case of free-diffusion experiments
 665 is much larger than the one obtained in the thermodiffu-
 666 sion experiments. That is due to the fact that the overall
 667 signal intensity is proportional to the square of the den-
 668 sity gradient, that is much larger in the free-diffusion
 669 case due to the different shape of the concentration pro-
 670 file. The optical signal, however, is integrated over the
 671 entire fluid vertical thickness, which reduces the overall
 672 difference in signal intensity. As visible from Fig. 9, the
 673 signal also increases with increasing concentration dif-
 674 ference and distance for ΔC between 0.1 and 0.2 w/w.
 675 However, it is approximately the same in a log-log
 676 graph whatever the distance for ΔC between 0.2 and
 677 0.4 w/w, which is coherent with a quadratic dependence
 678 of the signal to the concentration difference.

679 In the case of free-diffusion experiments, we decided
 680 to further analyse data points in the wave number range
 681 from 30 to 600 cm^{-1} , within which the signal-to-noise
 682 ratio indicator keeps above the threshold. In Fig. 10 we
 683 report the decay times obtained from fitting the SFs
 684 as a function of the wave number q and for different
 685 times after closing the inlet/outlet valves. The graph
 686 corresponds to a sample with $C = 0.5$ w/w, $\Delta C = 0.2$
 687 w/w and $T = 25$ °C. As stated before, only one mode
 688 can be detected corresponding to the decay of c-NEFs.
 689 By fitting the decay times through Eq. 6 we can obtain
 690 a measurement of the roll off wave number q_c and the
 691 mass diffusion coefficient D .

692 For all the times, the relaxation time curve has a
 693 bell-shape in the log-log plot of τ vs. q . As already

694 reported in a number of publications, the right part
 695 of such curves for large wave numbers corresponds to
 696 the diffusive regime of c-NEFs. All curves collapse onto
 697 a single one for large wave numbers, because the mass
 698 diffusion coefficient remains constant during the free-
 699 diffusion process. This can be clearly observed also in
 700 Fig. 11-a, where the mass diffusion coefficients obtained
 701 after fitting time decays through Eq. 6 are shown as a
 702 function of the normalised time (i.e. t/τ_d , τ_d calculated
 703 using reference values of D). Moreover, the diffusion
 704 coefficient does not change with respect to the applied
 705 concentration difference ΔC . All data shown in Fig. 11
 706 are relative to the average concentration $C = 0.5$ w/w
 707 at $T = 25$ °C. On the contrary, the position of the max-
 708 imum of the decay time bell-shape, q_c , decreases with
 709 time, as shown Fig. 11-b.

710 The values obtained for the mass diffusion coeffi-
 711 cient D are nicely centred around the literature value
 712 obtained by Optical Beam Deflection (OBD) [18], that
 713 is represented by a horizontal dashed line in Fig. 11a.
 714 The values obtained for $\Delta C = 0.1$ w/w are somewhat
 715 more scattered, which mirrors the smaller signal-to-
 716 noise ratio, also visible in Fig. 9. Moreover, the measure-
 717 ment error is increased for times close to the diffusive
 718 time of the cell, because, again, the signal-to-noise ratio
 719 decreases due to the decrease of the concentration gra-
 720 dient. The values obtained for the mass diffusion coeffi-
 721 cient remain almost constant as a function of time and
 722 do not depend on the concentration difference imposed
 723 at the beginning of the experiment. Conversely, the cut-
 724 off wave number decreases with time and with the con-
 725 centration difference according to Eq. 8. Fitting data
 726 point with a power law and free exponent provides a
 727 value of -0.11 , rather close to the theoretical value of
 728 -0.125 .

729 The experiments reported in Fig. 12 have been per-
 730 formed with average concentration $C = 0.5$ w/w and

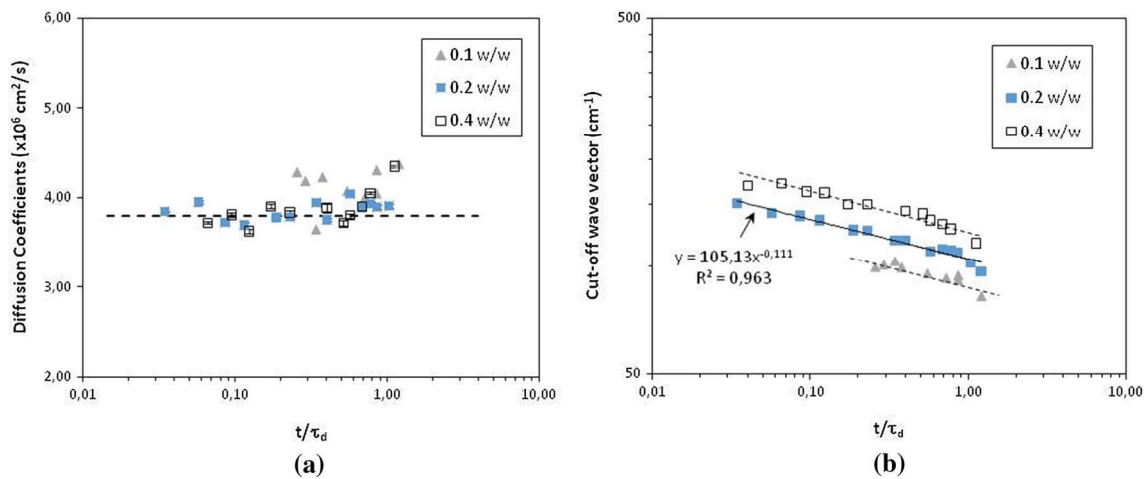


Fig. 11 a Mass diffusion coefficient D and b cut-off wave number q_c as a function of the normalized time for different concentration differences for the free-diffusion experiments carried out at $C = 0.5$ w/w and $T = 25$ °C

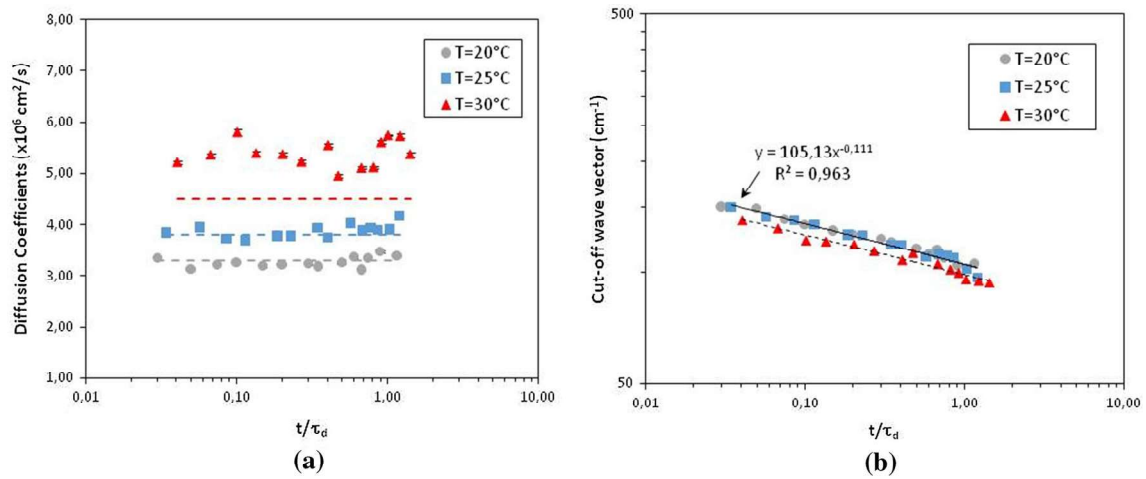


Fig. 12 a Mass diffusion coefficient and b cut-off wave number as a function of the normalized time for different temperatures for the free-diffusion experiments with $C = 0.5$ w/w and $\Delta C = 0.2$ w/w

concentration difference $\Delta C = 0.2$ w/w. In Fig. 12a we report the values of the mass diffusion coefficient and the cut-off wave number as a function of the normalised time and for different values of the homogeneous temperature. In Fig. 12b we report the values of the cut-off wave number as a function of the normalized time in the same conditions.

In Figure 12a, the horizontal dashed lines provide a visual reference of the values of the mass diffusion coefficient obtained by OBD and reported in the literature [18]. The data points for $T = 20$ and 25 °C are in very good agreement with the literature values, however those obtained at 30 °C show a 10% difference with respect to the literature one. In Fig. 12b we can see that the wave numbers follow a power law dependence upon reduced time with an exponent close to the theoretical value of -0.125 for all the three investigated temperatures.

In Table 3 we provide the obtained values of the mass diffusion coefficients as obtained by the free-diffusion

experiments performed at the two average concentrations of $C = 0.5$ and 0.7 w/w, at the three different homogeneous temperatures of $T = 20, 25$ and 30 °C. For the average concentration of $C = 0.7$ w/w, the studied concentration difference between bottom and top solutions was $\Delta C = 0.2$ w/w. The corresponding mass diffusion coefficients obtained at different temperatures are consistent or even compatible to those summarized in Table 2 for the same TEG concentration of 0.7 w/w.

The uncertainties reported in Table 3 correspond to the standard deviation with respect to the average value including the measurements obtained at different normalised times. In the case of the measurements performed at $C = 0.5$ w/w, we averaged data obtained for $\Delta C = 0.2$ and 0.4 w/w.

Table 3 Mass diffusion coefficients D obtained by free-diffusion experiments at mean concentration C in mass fraction of TEG and homogeneous temperature T

D ($\times 10^{-6}$ cm ² /s)		
T ($^{\circ}$ C)	$C = 0.5$ w/w	$C = 0.7$ w/w
20	3.27 ± 0.10	2.15 ± 0.16
25	3.86 ± 0.14	2.32 ± 0.06
30	5.4 ± 0.3	3.00 ± 0.13

5 Conclusion

In this paper, we have measured the mass diffusion and the thermodiffusion coefficients of triethylene glycol and water binary mixtures at different concentrations and average temperatures. Up to our best knowledge, this is the first time that the method combining dynamic shadowgraphy and the analysis of non-equilibrium fluctuations is used to measure the transport properties of a fluid mixture in a free-diffusion experiment. It is also the first time that the method is applied to measure the mass diffusion and the Soret coefficients in a thermodiffusion experiment for a sample of negative Soret coefficient as it is the case for the triethylene glycol/water mixture at $C = 0.7$ w/w.

The obtained values of mass diffusion coefficient are consistent with data available in the literature for the range of temperature investigated in this study from 20 to 30 $^{\circ}$ C. The mass diffusion coefficients of 0.7 w/w triethylene glycol/water mixture measured at different temperatures through free-diffusion experiments are consistent with those determined by thermodiffusion experiments. An increase of the mass diffusion coefficient as a function of the average temperature is detected. On the other hand, the thermodiffusion coefficient appears to be independent of the average temperature of the sample at 0.3 w/w triethylene glycol concentration. Soret coefficients have been determined with a relative uncertainty of 10% without prior knowledge of optical contrast factors.

Acknowledgements This work was developed in the framework of the cooperative project DCMIX (AO-2009-0858/1056) of the European Space Agency (ESA) and the Russian Space Agency (Roscosmos). The shadowgraphy measurements are supported by the ESA project GIANT FLUCTUATIONS and the ESA-MAP project TechNES (Grant 4000128933/19/NL/PG). We acknowledge financial support from the CNES and from the E2S UPPA Hub Newportes and the Industrial Chair CO2ES supported by the Investissements d'Avenir French programme managed by ANR (ANR-16-IDEX-0002), and BRGM and TotalEnergies. L. García-Fernández is thankful to Comunidad de Madrid for the financial support of the postdoctoral researcher contract "Atracción de Talento Investigador (2019-T2/AMB-15912)".

Author contribution statement

H.B., M.A., A.L. and F.C. conceived the project and the experiments. A.T.N. conducted the experiments. H.B., A.T.N., L.G.F. and F.C. wrote the manuscript. All the authors analyzed and discussed the content of the paper.

References

- F. Montel, J. Bickert, A. Lagisquet, G. Galliero, Initial state of petroleum reservoirs: a comprehensive approach. *J. Petrol. Sci. Eng.* **58**(3), 391–402 (2007). <https://doi.org/10.1016/j.petrol.2006.03.032>
- H. Guo, Q. Zhou, Z. Wang, Y. Huang, Soret effect on the diffusion of CO₂ in aqueous solution under high-pressure. *Int. J. Heat Mass Trans.* **117**, 966–971 (2018). <https://doi.org/10.1016/j.ijheatmasstransfer.2017.10.058>
- W. Köhler, K.I. Morozov, The soret effect in liquid mixtures - a review. *J. Non-Equilibrium Thermodynam.* **41**(3), 151–197 (2016). <https://doi.org/10.1515/jnet-2016-0024>
- J.K. Platten et al., Benchmark values for the Soret, thermal diffusion and diffusion coefficients of three binary organic liquid mixtures. *Philosophical Magazine* **83**(17–18), 1965–1971 (2003). <https://doi.org/10.1080/0141861031000108204>
- H. Bataller, T. Triller, B. Pur, W. Köhler, J.M. Ortiz de Zárate, F. Croccolo, Dynamic analysis of the light scattered by the non-equilibrium fluctuations of a ternary mixture of polystyrene-toluene-n-hexane. *Eur. Phys. J. E* **40**(3), 35 (2017). <https://doi.org/10.1140/epje/i2017-11522-8>
- H. Bataller, C. Giraudet, F. Croccolo, J.M. Ortiz de Zárate, Analysis of non-equilibrium fluctuations in a ternary liquid mixture. *Microgravity Sci. Technol.* **28**(6), 611–619 (2016). <https://doi.org/10.1007/s12217-016-9517-6>
- M.M. Bou-Ali et al., Benchmark values for the Soret, thermodiffusion and molecular diffusion coefficients of the ternary mixture tetralin+isobutylbenzene+n-dodecane with 0.8–0.1–0.1 mass fraction. *Eur. Phys. J. E* (2015). <https://doi.org/10.1140/epje/i2015-15030-7>
- A. Ahadi, S.V. Varenbergh, M.Z. Saghir, Measurement of the Soret coefficients for a ternary hydrocarbon mixture in low gravity environment. *J. Chem. Phys.* **138**(20), 204201 (2013). <https://doi.org/10.1063/1.4802984>
- A. Mialdun, I. Ryzhkov, O. Khlybov, T. Lyubimova, V. Shevtsova, Measurement of Soret coefficients in a ternary mixture of toluene-methanol-cyclohexane in convection-free environment. *J. Chem. Phys.* **148**(4), 044506 (2018). <https://doi.org/10.1063/1.5017716>
- A. Mialdun, V. Shevtsova, Temperature dependence of Soret and diffusion coefficients for toluene-cyclohexane mixture measured in convection-free environment. *J. Chem. Phys.* **143**(22), 224902 (2015). <https://doi.org/10.1063/1.4936778>
- T. Triller et al., Thermodiffusion in Ternary Mixtures of Water/Ethanol/Triethylene Glycol: First Report on the

- DCMIX3-Experiments Performed on the International Space Station. *Microgravity Sci. Technol.* **30**(3), 295–308 (2018). <https://doi.org/10.1007/s12217-018-9598-5>
12. M. Touzet, G. Galliero, V. Lazzero, M.Z. Saghir, F. Montel, J.-C. Legros, Thermodiffusion: from microgravity experiments to the initial state of petroleum reservoirs. *Comptes Rendus Mécanique* **339**(5), 318–323 (2011). <https://doi.org/10.1016/j.crme.2011.03.008>
 13. G. Galliero et al., Thermodiffusion in multicomponent n-alkane mixtures. *npj Micrograv.* **3**(1), 1–7 (2017). <https://doi.org/10.1038/s41526-017-0026-8>
 14. S. VanVaerenbergh, S. Srinivasan, M.Z. Saghir, Thermodiffusion in multicomponent hydrocarbon mixtures: experimental investigations and computational analysis. *J. Chem. Phys.* **131**(11), 114505 (2009). <https://doi.org/10.1063/1.3211303>
 15. G. Galliero et al., Impact of thermodiffusion on the initial vertical distribution of species in hydrocarbon reservoirs. *Micrograv. Sci. Technol.* **28**(2), 79–86 (2016). <https://doi.org/10.1007/s12217-015-9465-6>
 16. P. Baaske et al., The NEUF-DIX space project - Non-Equilibrium Fluctuations during Diffusion in complex liquids'. *Eur. Phys. J. E* (2016). <https://doi.org/10.1140/epje/i2016-16119-1>
 17. M. Braibanti et al., European space agency experiments on thermodiffusion of fluid mixtures in space. *Eur. Phys. J. E* **42**(7), 86 (2019). <https://doi.org/10.1140/epje/i2019-11849-0>
 18. M. Schraml et al., The Soret coefficients of the ternary system water/ethanol/triethylene glycol and its corresponding binary mixtures. *Eur. Phys. J. E* **44**(10), 128 (2021). <https://doi.org/10.1140/epje/s10189-021-00134-6>
 19. J. M. Ortiz de Zárate and J. V. Sengers, Hydrodynamic Fluctuations in Fluids and Fluid Mixtures - 1st Edition'. <https://www.elsevier.com/books/hydrodynamic-fluctuations-in-fluids-and-fluid-mixtures/ortiz-de-zarate/978-0-444-51515-5> (accessed Sep. 30, 2021)
 20. F. Croccolo, J.M. Ortiz de Zárate, J.V. Sengers, Non-local fluctuation phenomena in liquids. *Eur. Phys. J. E* **39**(12), 125 (2016). <https://doi.org/10.1140/epje/i2016-16125-3>
 21. A. Vailati, M. Giglio, Giant fluctuations in a free diffusion process. *Nature* **390**(6657), 262–265 (1997). <https://doi.org/10.1038/36803>
 22. P.N. Segrè, R. Schmitz, J.V. Sengers, Fluctuations in inhomogeneous and nonequilibrium fluids under the influence of gravity. *Physica A: Statistical Mech. Appl.* **195**(1), 31–52 (1993). [https://doi.org/10.1016/0378-4371\(93\)90252-Y](https://doi.org/10.1016/0378-4371(93)90252-Y)
 23. P.N. Segrè, J.V. Sengers, Nonequilibrium fluctuations in liquid mixtures under the influence of gravity. *Physica A: Statistical Mech. Appl.* **198**(1), 46–77 (1993). [https://doi.org/10.1016/0378-4371\(93\)90183-5](https://doi.org/10.1016/0378-4371(93)90183-5)
 24. E. Bouty, CH. SORET. – Sur l'état d'équilibre que prend, au point de vue de sa concentration, une dissolution saline primitivement homogène, dont deux parties sont portées à des températures différentes; *Archives de Genève, 3e periode, t. II, p. 48; 1879. J. Phys. Theor. Appl.* **9**(1), 331–332 (1880). <https://doi.org/10.1051/jphysap:018800090033101>
 25. F. Croccolo, D. Brogioli, A. Vailati, M. Giglio, D.S. Cannell, Nondiffusive decay of gradient-driven fluctuations in a free-diffusion process. *Phys. Rev. E* **76**(4), 041112 (2007). <https://doi.org/10.1103/PhysRevE.76.041112>
 26. F. Croccolo, H. Bataller, F. Scheffold, A light scattering study of non equilibrium fluctuations in liquid mixtures to measure the Soret and mass diffusion coefficient. *J. Chem. Phys.* **137**(23), 234202 (2012). <https://doi.org/10.1063/1.4771872>
 27. W. Wu, J.H. Jander, M.H. Rausch, A.P. Fröba, C. Giraudet, Simultaneous determination of multiple transport properties over a wide range of temperatures and pressures from the analysis of non-equilibrium fluctuations by the shadowgraph method. *J. Chem. Phys.* **153**(14), 144201 (2020). <https://doi.org/10.1063/5.0024503>
 28. C. Giraudet, H. Bataller, F. Croccolo, High-pressure mass transport properties measured by dynamic near-field scattering of non-equilibrium fluctuations. *Eur. Phys. J. E* **37**(11), 107 (2014). <https://doi.org/10.1140/epje/i2014-14107-1>
 29. F. Croccolo, D. Brogioli, Quantitative Fourier analysis of schlieren masks: the transition from shadowgraph to schlieren. *Appl. Opt. AO* **50**(20), 3419–3427 (2011). <https://doi.org/10.1364/AO.50.003419>
 30. S.P. Trainoff, D.S. Cannell, Physical optics treatment of the shadowgraph. *Phys. Fluids* **14**(4), 1340–1363 (2002). <https://doi.org/10.1063/1.1449892>
 31. I. Lizarraga, C. Giraudet, F. Croccolo, M.M. Bou-Ali, H. Bataller, Mass diffusion and thermal diffusivity of the Decane-pentane mixture under high pressure as a ground-based study for SCCO project. *Micrograv. Sci. Technol.* **28**(5), 545–552 (2016). <https://doi.org/10.1007/s12217-016-9506-9>
 32. F. Croccolo, D. Brogioli, A. Vailati, Cylindrical flowing-junction cell for the investigation of fluctuations and pattern-formation in miscible fluids. *Rev. Sci. Instruments* **90**(8), 085109 (2019). <https://doi.org/10.1063/1.5112778>
 33. G. Cerchiari, F. Croccolo, F. Cardinaux, F. Scheffold, Note: Quasi-real-time analysis of dynamic near field scattering data using a graphics processing unit. *Rev. Sci. Instruments* **83**(10), 106101 (2012). <https://doi.org/10.1063/1.4755747>
 34. M. Norouzisadeh, M. Chraga, G. Cerchiari, F. Croccolo, 'The modern structurator: Increased performance for calculating the structure function.', *submitted*
 35. J.M. Ortiz de Zárate, C. Giraudet, H. Bataller, F. Croccolo, Non-equilibrium fluctuations induced by the Soret effect in a ternary mixture'. *Eur. Phys. J. E* (2014). <https://doi.org/10.1140/epje/i2014-14077-2>
 36. F. Croccolo, L. García-Fernández, H. Bataller, A. Vailati, J.M. Ortiz de Zárate, Propagating modes in a binary liquid mixture under thermal stress. *Phys. Rev. E* **99**(1), 012602 (2019). <https://doi.org/10.1103/PhysRevE.99.012602>
 37. L. García-Fernández, P. Fruton, H. Bataller, J.M. Ortiz de Zárate, F. Croccolo, Coupled non-equilibrium fluctuations in a polymeric ternary mixture'. *Eur. Phys. J. E* (2019). <https://doi.org/10.1140/epje/i2019-11889-4>
 38. D. J. Higham, N. J. Higham, *MATLAB Guide, Third Edition*. SIAM, UK (2016)

- 992 39. F. Croccolo, D. Brogioli, A. Vailati, M. Giglio, D.S. Cannell, Use of dynamic schlieren interferometry to
993 study fluctuations during free diffusion. *Appl. Opt.*, AO
994 **45**(10), 2166–2173 (2006). [https://doi.org/10.1364/AO.](https://doi.org/10.1364/AO.45.002166)
995 [45.002166](https://doi.org/10.1364/AO.45.002166)
996
- 997 40. I. Lizarraga, F. Croccolo, H. Bataller, M.M. Bou-Ali,
998 Soret coefficient of the n-dodecane-n-hexane binary mix-
999 ture under high pressure'. *Eur. Phys. J. E* (2017).
1000 <https://doi.org/10.1140/epje/i2017-11520-x>
1001
- 1002 41. F. Croccolo, D. Brogioli, A. Vailati, M. Giglio, D.S.
1003 Cannell, Effect of gravity on the dynamics of nonequi-
1004 librium fluctuations in a free-diffusion experiment. *Ann*
1005 *New York Acad Sci* **1077**(1), 365–379 (2006). [https://](https://doi.org/10.1196/annals.1362.030)
1006 doi.org/10.1196/annals.1362.030
1007
- 1008 42. J.C. Legros et al., Investigation of Fickian diffusion in
1009 the ternary mixtures of water-ethanol-triethylene gly-
1010 col and its binary pairs. *Phys. Chem. Chem. Phys.*
17(41), 27713–27725 (2015). [https://doi.org/10.1039/](https://doi.org/10.1039/C5CP04745E)
[C5CP04745E](https://doi.org/10.1039/C5CP04745E)
43. K. He, M. Spannuth, J.C. Conrad, R. Krishnamoorti, 1011
Diffusive dynamics of nanoparticles in aqueous disper- 1012
sions. *Soft Matter* **8**(47), 11933–11938 (2012). [https://](https://doi.org/10.1039/C2SM26392K) 1013
doi.org/10.1039/C2SM26392K 1014
44. M.S. Safari, M.A. Vorontsova, R. Poling-Skutvik, P.G. 1015
Vekilov, J.C. Conrad, Differential dynamic microscopy 1016
of weakly scattering and polydisperse protein-rich clus- 1017
ters. *Phys. Rev. E* **92**(4), 042712 (2015). [https://doi.](https://doi.org/10.1103/PhysRevE.92.042712) 1018
[org/10.1103/PhysRevE.92.042712](https://doi.org/10.1103/PhysRevE.92.042712) 1019