



HAL
open science

Threshold Voltage Measurement Protocol “Triple Sense” Applied to GaN HEMTs

Tamiris Grossl Bade, Hassan Hamad, Adrien Lambert, Hervé Morel,
Dominique Planson

► **To cite this version:**

Tamiris Grossl Bade, Hassan Hamad, Adrien Lambert, Hervé Morel, Dominique Planson. Threshold Voltage Measurement Protocol “Triple Sense” Applied to GaN HEMTs. *Electronics*, 2023, 12 (11), pp.2529. 10.3390/electronics12112529 . hal-04121028

HAL Id: hal-04121028

<https://hal.science/hal-04121028>

Submitted on 7 Jun 2023

HAL is a multi-disciplinary open access archive for the deposit and dissemination of scientific research documents, whether they are published or not. The documents may come from teaching and research institutions in France or abroad, or from public or private research centers.

L'archive ouverte pluridisciplinaire **HAL**, est destinée au dépôt et à la diffusion de documents scientifiques de niveau recherche, publiés ou non, émanant des établissements d'enseignement et de recherche français ou étrangers, des laboratoires publics ou privés.

Article

Threshold Voltage Measurement Protocol “Triple Sense” Applied to GaN HEMTs

Tamiris Grossl Bade ^{*}, Hassan Hamad, Adrien Lambert, Hervé Morel  and Dominique Planson 

Ampère, Univ Lyon, INSA Lyon, Université Claude Bernard Lyon 1, Ecole Centrale de Lyon, CNRS, UMR5005, 69621 Villeurbanne, France; adrien.lambert@insa-lyon.fr (A.L.)

* Correspondence: tamirisgbade@gmail.com

Abstract: The threshold voltage instability in p-GaN gate high electron mobility transistors (HEMTs) has been brought into evidence in recent years. It can lead to reliability issues in switching applications, and it can be followed by other degradation mechanisms. In this paper, a V_{th} measurement protocol established for SiC MOSFETs is applied to GaN HEMTs: the triple sense protocol, which uses voltage bias to precondition the transistor gate. It has been experimentally verified that the proposed protocol increased the stability of the V_{th} measurement, even for measurements following degrading voltage bias stress on both drain and gate.

Keywords: threshold voltage; GaN HEMT; gate-injection transistor; hybrid-drain gate-injection transistor; cascode HEMT



Citation: Grossl Bade, T.; Hamad, H.; Lambert, A.; Morel, H.; Planson, D. Threshold Voltage Measurement Protocol “Triple Sense” Applied to GaN HEMTs. *Electronics* **2023**, *12*, 2529. <https://doi.org/10.3390/electronics12112529>

Academic Editors: Xin Ming and Qi Zhou

Received: 5 May 2023

Revised: 29 May 2023

Accepted: 1 June 2023

Published: 3 June 2023



Copyright: © 2023 by the authors. Licensee MDPI, Basel, Switzerland. This article is an open access article distributed under the terms and conditions of the Creative Commons Attribution (CC BY) license (<https://creativecommons.org/licenses/by/4.0/>).

1. Introduction

Gallium nitride (GaN)-based power transistors are good candidates for the next generation of high-efficiency and high switching frequency converters [1–5]. Among the presently commercialized semiconductors, GaN has the widest energy gap, the largest critical field, and the highest saturation velocity [6].

The most common GaN transistors today are high electron mobility transistors (HEMT) based on the 2D electron gas (2DEG) channel created by an heterojunction, usually Al-GaN/GaN [1]. Different technologies have been developed to produce normally-OFF HEMTs, and among the most commonly used and studied are the cascode structure [1], the gate-injection transistor, or GIT (also referred to as p-GaN gate HEMT) [7], and the gate-injection transistor with hybrid drain (HD-GIT).

The p-GaN gate HEMTs present a threshold voltage (V_{th}) instability dependent on both the voltage bias stress level [8–12] and temperature [12,13]. This variation of V_{th} is often associated with trapping mechanisms near the 2DEG channel in the region under and around the gate [14,15], but was also explained with the charging and discharging of the gate p-GaN layer, which has a semi-floating potential [16].

The fluctuation of the threshold voltage can introduce serious reliability issues, particularly in systems where a higher switching frequency is desired [1,8]. Parallel to that, some of the degradation mechanisms in GaN HEMT are accompanied by a V_{th} shift [9,17], and having a well established protocol to characterize it could contribute to the research in these topics [18].

The V_{th} instability phenomenon is also present in SiC MOSFETs [19–21], although due to different charging mechanisms. In SiC MOSFETs, it occurs due to the charging and discharging of gate traps, depending on the traps at the interface between the gate oxide and the semiconductor; and the border traps in the gate oxide near the interface [19,22].

However, what both these mechanisms have in common is the circulation of electric charge in and out of the gate structure, distinct as these may be. Therefore, it is possible that the V_{th} measurement protocols established to deal with the instabilities in SiC MOSFETs could also have stabilizing effects on the V_{th} of p-GaN gate GaN HEMTs.

The goal of this study is to determine if the V_{th} measurement protocols established initially for SiC MOSFETs can be applied to GaN HEMTs. Particularly, the applicability of the triple sense V_{th} measurement protocol established by the JEDEC standard JEP184 [23] will be used to study the characteristics of the V_{th} shift on HEMTs.

It is important to highlight the fact that, even though the protocol has been defined for and previously tested on SiC MOSFET, there is no occurrence in the literature of this protocol being applied to GaN transistors of any kind. Moreover, the triple sense protocol can be performed in two different orders, depending on the initial gate polarization, and an experimental study can determine which is the best definition of the protocol for GaN HEMTs.

This study is based on two GaN HEMT devices commercially available, from different manufacturers. They are of different technologies: the gate-injection transistor (GIT) and the gate-injection with hybrid drain (HD-GIT). Additionally, a cascode structure is introduced in the context section.

This paper is structured as follows: Section 2 establishes the context of the study, resuming the characteristics of each device under study and discussing the V_{th} instability phenomenon. Section 3 describes the measurement protocol proposed to increase the stability of V_{th} measurement, and Section 4 details the results of the measurement series with and without a preconditioning protocol. The differences between these two approaches and the applicability of the proposed protocol are discussed in Section 5.

2. Context

The characteristics of the technologies of the devices under study are resumed in Section 2.1, and the instability of the threshold voltage of GIT HEMTs is discussed in Section 2.2.

2.1. The Devices under Study

In this section, a preliminary analysis is performed with three distinct technologies of normally-OFF GaN HEMTs, all commercially available: a cascode device, a gate-injection transistor (GIT) with a Schottky contact for the gate, and a hybrid-drain gate-injection transistor (HD-GIT) with an ohmic contact for the gate. The highlights of these three technologies are resumed in this section.

The cascode structure shown in Figure 1a is the most direct way to achieve a normally-off behavior on an HEMT [1]. With this structure, the conduction path is turned off by a Silicon MOSFET, and once the device is OFF the voltage $V_{SG}^{HEMT} > 0$ will close the normally-ON GaN transistor, blocking a voltage equal to the GaN HEMT gate–drain breakdown voltage.

The gate-injection transistor (GIT) is a device where an additional p-GaN layer on the gate lifts up the potential at the 2DEG channel, which enables normally-off operation [7]. Moreover, with $V_{GS} > V_{th}$ the injection of holes from the p-GaN gate to the channel increases electron density, what allows a modulation of the drain current with V_{GS} . One of the disadvantages of the GIT transistors is the current collapse phenomenon [24] that takes place after stressing events such as bias voltage V_{DS} or hard-switching [25], and causes an increase in the effective ON state drain-source resistance of the transistors.

The GIT is also called p-GaN gate HEMT in the literature. The device studied here has a Schottky gate contact. In contrast, an ohmic contact can improve the conductivity modulation of the channel, but with increased leakage current [6].

The hybrid-drain GIT (HD-GIT) chosen for this study has an ohmic contact; its conduction state is controlled with the gate current I_G instead of voltage. The hybrid drain consists of a parallel connection between a p-GaN layer and a metallic contact. This layer allows the injecting holes in the 2DEG channel under the drain, neutralizing the negative charge that leads to current collapse [26]. The structure of this transistor is given in Figure 1c.

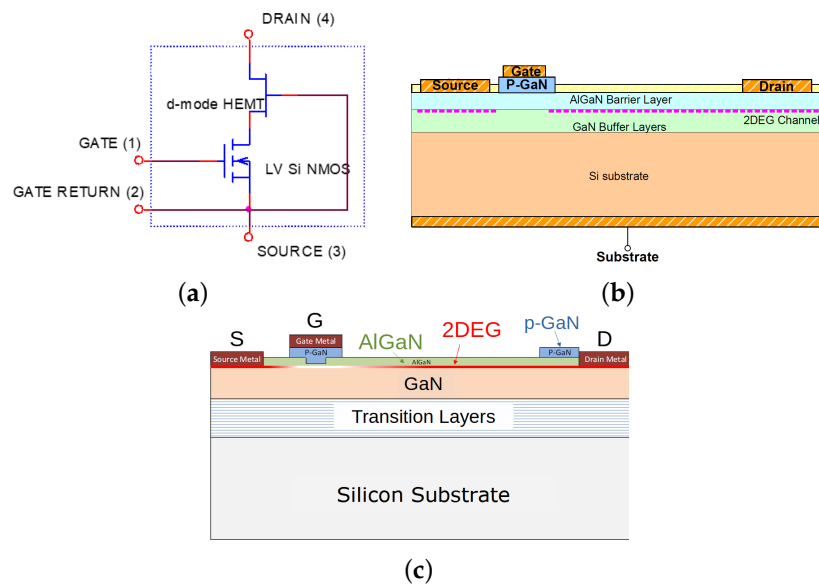


Figure 1. Structure of devices under study. (a) Cascode [27]; (b) GIT [28]; (c) HD-GIT [29].

The main characteristics of each of the three chosen devices are resumed in Table 1.

Table 1. Technology, manufacturer, designation, rated voltages and threshold characteristics of the devices under study (DUS). $I_D @ V_{th}$: value of I_D defining V_{th} in the datasheet of each device.

Technology	Designation of the DUS	V_{th}	$I_D @ V_{th}$	Max V_{GS} (V)	Max V_{DS}
Cascode	ExaGaN EXA06C190LDS0	1.8 V	1 mA	[−20, 20]	650 V
GIT	GaNsystems GS-065-030-2-L	1.7 V	7.5 mA	[−7, 4]	650 V
HD-GIT	Infineon IGT60R070D1	1.2 V	2.6 mA	[−10, (26 mA) ¹]	600 V

¹ The HD-GIT device has an ohmic gate, which is limited by a maximum positive current instead of a positive voltage.

2.2. The V_{th} Instability in GaN HEMTs

The V_{th} instability in GIT has been brought into evidence in recent publications. Table 2 resumes the main characteristics of these instabilities as found in the present literature. The bibliography shows that both V_{GS} and V_{DS} static stress increase V_{th} . According to Tallarico et al. [16], this instability is due to the fluctuation of the electric potential of the p-GaN layer, due to the charging of this floating-point layer through hole emission and tunneling.

Table 2. Key points of the bibliography on dynamic V_{th} in GaN HEMTs.

Article	Device	Measurement	Type of Stress	Shifted V_{th} /Rated V_{th}
Li 2020 [8]	GIT, in development	Keysight B1530A WGFMU (fast, (μs))	V_{GS} , positive	180%, recovery in ≈1 s
Oeder 2021 [9]	GIT, commercial, schottky and ohmic gates	Transfer characteristics with long measurement pulses (≈10 s)	V_{GS} , positive and negative	ohmic: 90%, schottky: 200%
Yang 2021 [10]	GIT, commercial	Fast scope (μs)	V_{DS}	150% in 4 μs, recovery in ≈2 s

The authors could not find evidence in the literature of similar V_{th} instabilities for the two other technologies studied in this paper, the HD-GIT and the cascode devices. However, Table 3 brings into evidence the fact that a standalone sweep measurement of V_{th}

does not give the same results as a sweep V_{th} measurement following a V_{GS} static stress for any of the three devices.

The data in Table 3 were obtained with a $V_{GS} = V_{DS}$ sweep measurement from 0 up to V_{th} , for three different preconditioning situations: with no previous stress on the gate (Sweep); following a negative bias stress; and following a positive bias stress. It is clear that the bias stress preceding the sweep measurement impacts considerably the measured V_{th} , due to the change in the gate static charges [9,18].

Table 3. V_{th} measured with $V_{GS} = V_{DS}$ in three different conditions: direct sweep, with no preconditioning; following a single negative V_{GS} stress; and following a single positive V_{GS} stress.

	Sweep	Negative Gate Stress	Positive Gate Stress
Cascode V_{th}	1.586 V	1.786 V	1.787 V
GIT V_{th}	1.198 V	1.600 V	1.875 V
HD-GIT V_{th}	1.110 V	1.130 V	1.136 V

A second problem with a single $V_{GS} = V_{DS}$ sweep measurement is the instability of the resulting V_{th} . Figure 2 shows the mean results of three sweep V_{th} measurements following a $V_{DS} = V_{DS}^{max}$ static stress, taken with different recovery intervals. The figure shows that, for the GIT technology, the sweep measurement taken right after static stress presents a 10% variation of V_{th} . This increase in the instability was not present in the HD-GIT device, but there is still a variation around 1% for each V_{th} measurement

As for the cascode structure, it did not present significant variations between distinct sweep V_{th} measurements following the V_{DS} stress. That behavior is expected, as for the cascode the V_{th} depends mainly on the Si transistor.

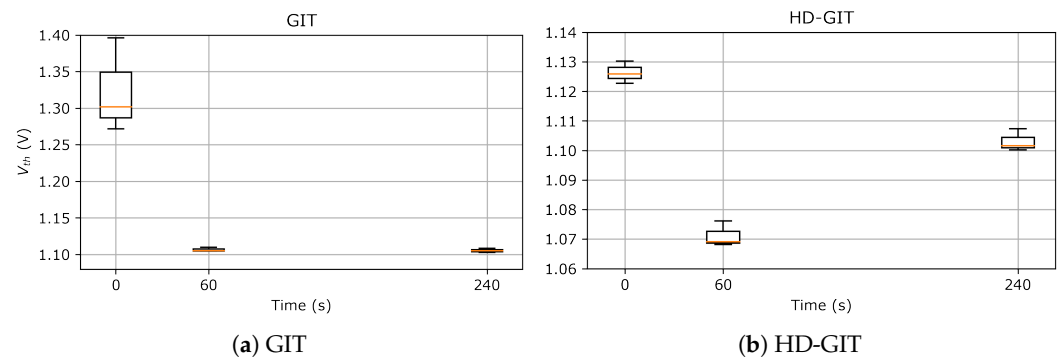


Figure 2. Boxplot of the V_{th} data measured with $V_{GS} = V_{DS}$ sweep, following a drain-source static stress (V_{DS}) at $t = 0$; sample size of each box: $N = 3$. Instability on V_{th} results particularly for the GIT device immediately after the V_{DS} stress.

This evidence indicates that V_{th} measurement protocol including a preconditioning stress would be more advisable for GIT and HD-GIT technologies. To achieve this, one option would be to incorporate the V_{th} measurement to a switching test circuit [10]. A second option, chosen by the authors, is to apply preconditioning stress to the gate with a device analyzer, using a measurement protocol such as those proposed by the standard JEDEC JEP184 [23] to characterize the V_{th} instability in SiC MOSFETs.

From this point on, the cascode structure will not be included in the results, as its gating characteristics depend on a Si MOSFET structure instead of a p-GaN gate HEMT, and its V_{th} variations are of a different nature.

Even if the V_{th} shift mechanisms in GaN HEMTs are distinct from this in SiC MOSFETs, they are both linked to the charging and discharging of the gate structure through electron tunneling and trapping [16,22]. For this reason, the protocols from JEP184 [23] were studied and the “triple sense protocol” was chosen, aiming to obtain stable results on V_{th}

measurements as well as to build a more complete picture of the V_{th} shift. The protocol is described in the next section.

As aforementioned, there is no mention in the literature of the effectiveness of the triple sense protocol on GaN HEMTs. Moreover, the standard JEDEC JEP184 [23] defines two measurement orders for the triple sense protocol, and an experimental study is necessary to determine which of these two variations is the most effective for GaN HEMTs.

3. Measurement Protocol

The standard JEDEC JEP184 proposes different protocols to characterize the V_{th} shift in SiC MOSFETs, and among these the triple sense protocol allows the most complete description of the phenomenon. It allows the identification of four components of the V_{th} instability, defined in the standard as follows [23]: the drift V_{th}^{drift} is a “permanent component” of the V_{th} shift, i.e., a variation from the initial measurement that remains constant on subsequent measurements; the transitory effects V_{th}^{trans} , and the hysteresis V_{th}^{hyst} calculated as the difference between two V_{th} measured after two bias stress of different polarities, and any variation on the hysteresis ΔV_{th}^{hyst} . In this paper, V_{th}^{pos} is threshold voltage measured following a positive gate stress, and V_{th}^{neg} for a negative gate stress. Therefore, $V_{th}^{hyst} = V_{th}^{pos} - V_{th}^{neg}$.

The triple sense protocol can be established with two different combinations, represented in Figure 3a: either starting with a negative preconditioning bias stress (NBS protocol, or NBSP), or a positive preconditioning bias stress (PBS protocol, or PBSP).

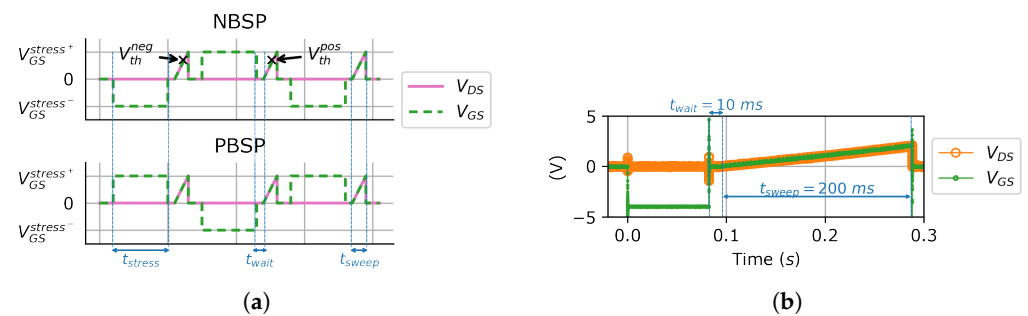


Figure 3. (a) Definition of the triple sense protocol (in accordance with [23]); the chronograph shows the preconditioning stress followed by the V_{th} measurement ramp for the negative and positive bias stress protocols (NBSP and PSBP, respectively), with the definition of V_{th}^{neg} and V_{th}^{pos} as the measurements following a negative or positive gate stress, respectively; and (b) Signal measured on the the B1505A analyzer output for protocol programmed in HP BASIC; $t_{wait} = 10 \text{ ms}$, t_{sweep} depends on the value of V_{th} measured and is in the order of hundreds of milliseconds.

The present work aims at determining which of these two combinations, NBSP or PBSP, is the most effective for GaN HEMTs.

There are four parameters on the triple sense protocol that must be adequately chosen and/or controlled: The preconditioning stress voltage level V_{GS}^{stress} and time duration t_{stress} ; the sweep measurement time duration t_{sweep} and the waiting time between the preconditioning stress and the sweep measurement t_{wait} .

The preconditioning voltage V_{GS}^{stress} can be chosen to correspond to the application gating voltages, but of course this is not mandatory. The stress should be applied for a time duration t_{stress} long enough to stabilize the V_{th} shift. Such a configuration allows the emulation of the “steady-state” behavior of the gate charges [8].

However, a more thorough study would be necessary to determine values for V_{GS}^{stress} and t_{stress} that can be applied to GaN GITs in general, or even to optimize the characterization protocol.

The t_{sweep} time should be as small as possible, because both the V_{DS} and the V_{GS} stress can affect the state of the charges in the gate [8,11]. The V_{th} is then calculated with an interpolation of the measured $I_D(V_{GS})$.

The waiting time t_{wait} should also be as small as possible, because a recovery time after the bias stress allows the gate charges to go back to their original states [8,10,12]. More importantly, t_{wait} has to be the same for each measurement, to ensure that the state of the gate charges are as similar as possible during the V_{th} measurement sweep.

For t_{wait} to be short and adequately controlled with a Keysight B1505A, the waveforms shown in Figure 3a were programmed in HP BASIC.

The voltage level of the preconditioning stress V_{GS}^{stress} was chosen by the authors to correspond to the on/off values recommended on the application notes of each device; they are summarized in Table 4. This choice was made with the goal to mimic the conditions of a device under switching stress. The stress was applied for $t_{stress} = 80$ ms for all devices, matching the order of magnitude of the protocol developed for SiC MOSFETs. As aforementioned, both V_{GS}^{stress} and t_{stress} can be optimized in a future study.

Table 4. V_{GS} voltage levels chosen for the preconditioning stress V_{GS}^{stress} of each transistor, corresponding to the working voltages recommended by the device manufacturers; $t_{stress} = 80$ ms for all devices.

Preconditioning	$V_{GS}^{stress-}$	$V_{GS}^{stress+}$
GIT	−3 V	6 V
HD-GIT	−4 V	3 V

The signal generated by the Keysight B1505A programmed in HP BASIC was measured with a scope and is plotted in Figure 3b. The V_{th} ramp was programmed with a measurement step of 100 mV on $V_{GS} = V_{DS}$ in order to keep t_{sweep} small, of the order of hundreds of milliseconds. This step was chosen to keep the measurement time small, to reduce the V_{DS} stress over the DUS. If this stress is too long, it can compromise the stability of the characterization protocol.

Comparisons between direct and preconditioned sweep measurements are made for the same V_{GS} measurement step, so that the variation measured for each of these protocols is comparable.

The measurement programmed on HP BASIC allowed a reproducible t_{wait} of the order of 10 ms. The V_{th} measurement is taken at the values of the drain current I_D specified in the datasheet of each component, i.e., the values given in the fourth column of Table 1.

All the measurements described in the paper were performed at constant ambient temperature (25 °C). The literature indicates that lower temperatures increase the recovery of the threshold voltage shift [8]. As a result, conducting this study under ambient temperature constitutes a worst-case scenario.

4. Results and Discussion

The results presented in this section determine whether the triple sense protocol is also effective for GaN HEMTs, and which of the NBSP or PBSP protocols should be recommended for these devices.

The variation of the V_{th} measurement results with both the PBSP and NBPS protocols are compared in Section 4.1, to establish if one guarantees more stable results than the other.

The robustness of the chosen protocol is tested after static stress on the devices; the results are described in Section 4.2.

4.1. Stability: NBSP vs. PBSP

The stability of the results obtained with either the NBSP and PBSP protocols is compared through three separate series of 21 triple-sense preconditioned V_{th} measurements. The results for a single series are plotted for each device in Figure 4.

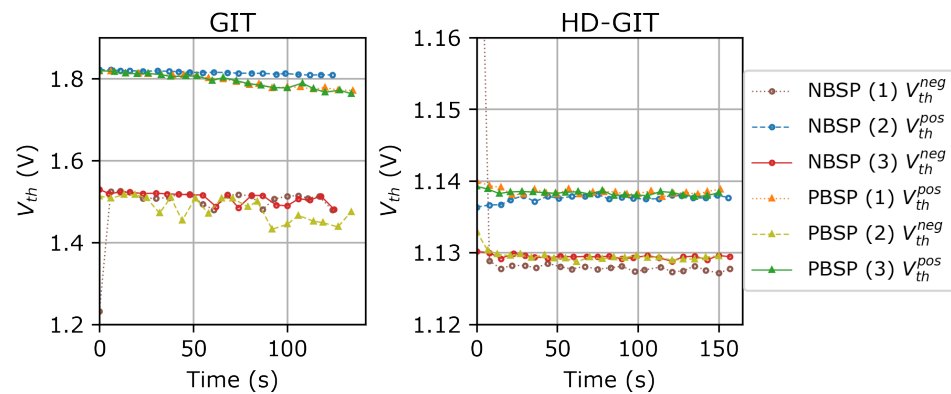


Figure 4. Comparison of the two triple sense protocols for the two devices under study; the data are analyzed in Table 5.

Figure 4 shows that both of the devices present a visible hysteresis V_{th}^{hyst} , even if for the HD-GIT device it is relatively small. The results of the GIT have higher variation of the second V_{th} measurement with the PBS protocol.

To ascertain which protocol provided more stable results, the mean values and the 95% confidence interval (2σ) of each of the V_{th} measurements are resumed in Table 5. Each entry in the table is calculated from a data set of size $N = 63$ and assuming a normal distribution.

Table 5. Mean value and 95% interval of confidence of each V_{th} measurement. Data set size for each entry: $N = 63$.

		GIT	HD-GIT
PBSP	V_{th}^{neg} (2)	1.555 ± 0.032 V	1.129 ± 0.001 V
	V_{th}^{pos} (3)	1.863 ± 0.008 V	1.138 ± 0.001 V
	V_{th}^{hyst}	0.308 ± 0.040 V	0.009 ± 0.002 V
NBSP	V_{th}^{pos} (2)	1.869 ± 0.005 V	1.138 ± 0.001 V
	V_{th}^{neg} (3)	1.565 ± 0.015 V	1.130 ± 0.001 V
	V_{th}^{hyst}	0.304 ± 0.020 V	0.009 ± 0.003 V

For the GIT device, the NBSP configuration proved to give more stable results than the PBSP. For the HD-GIT, there was no difference in the stability for these two protocols.

An hysteresis of 0.3 V was measured in the GIT, while the hysteresis in the HD-GIT is too small when compared to the 100 mV step of the V_{th} sweep measurement, and therefore cannot be determined with sufficient accuracy. It is important to highlight that these hysteresis values could be higher if measured with fast measurements as in [8,16].

The HD-GIT device presented less V_{th} hysteresis and instability because of the hybrid drain: the p-GaN layer on the drain promotes detrapping around the 2DEG channel, making the device less prone to both the current collapse and the V_{th} instability.

Based on the results of this section, the authors recommend the NBS protocol as best adapted for GaN HEMTs, and will be using this version of the triple sense protocol in the rest of the paper.

4.2. Robustness: Reproducibility after Static Stress

To further test the reproducibility of the preconditioned V_{th} measurements, experiments to ascertain the robustness of the protocol in devices under stress were performed. The NBS protocol was applied after each DUS was submitted to static voltage stress, from both V_{GS} and V_{DS} . The results are compared with those of a simple V_{th} sweep measurement for each bias stress.

The chosen values for the bias stress are summarized in Table 6. For both the GIT and the HD-GIT, the limit voltages were used. Each bias stress was applied for 1 s.

Table 6. Values chosen for static stress on each of the DUS; stress duration: 1 s.

	$V_{GS} < 0$	$V_{GS} > 0$	V_{DS}
GIT	−4 V	7 V	650 V
HD-GIT	−10 V	3 V	600 V

Three series of measurements were performed for each device and each static stress type. The results of a single series are presented in Figure 5, normalized to the first V_{th} measurement ($V_{th}(t = 0)$) for each set. Therefore, Figure 5 shows the variation of the measured value of V_{th} vs. time.

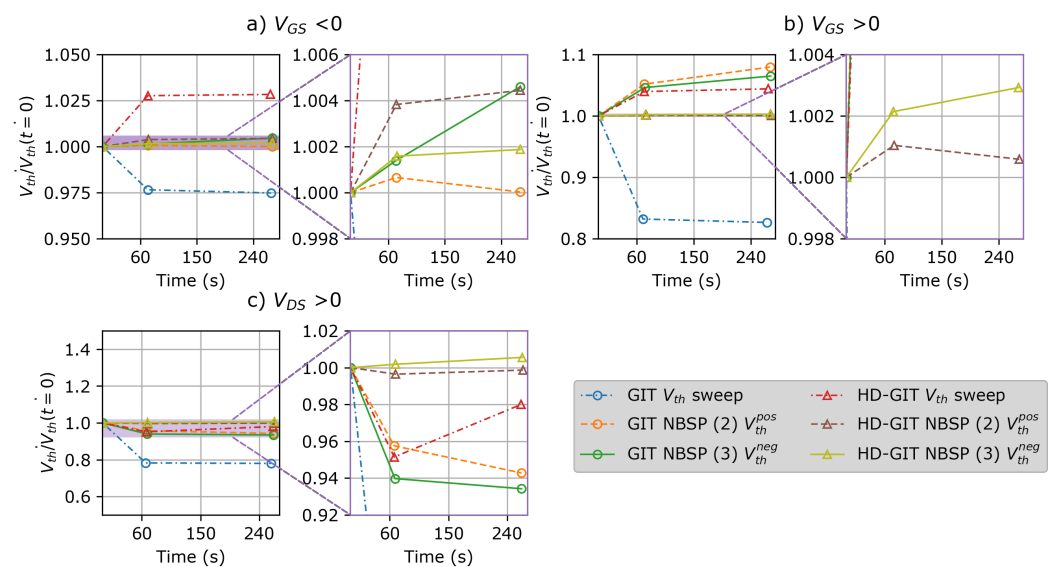


Figure 5. Variation of V_{th} vs. time after a single static stress lasting 1 s and with amplitude as described in Table 6. The results are normalized to the first measurement, performed immediately after the first stress $V_{th}(t = 0)$. The data are further analyzed in Table 7. The figure shows that the variation on the V_{th}^{shift} is higher with a direct sweep measurement.

To analyze the robustness of the V_{th} protocol in more detail, Table 7 summarizes the maximal variation of V_{th} for each device and type of static stress. The variations are calculated relative to $V_{th}(t = 240\text{ s})$, i.e., the measurement result on the recovered device.

For the two devices, the standalone V_{th} sweep measurement presented a V_{th} variation up to 10 times higher than that of the preconditioned measurement. Therefore, for these two technologies, the preconditioning V_{th} measurement protocol gives more robust results even after the device was submitted to bias stress.

In conclusion, the preconditioning is indispensable to obtain repeatable measurements of the V_{th} , because it emulates the charging state of the gate under stress in a switching application. Moreover, for the GIT technology the NBS protocol guarantees more stable measurement results even after the devices were submitted to stress.

Table 7. Maximal variation of V_{th} relative to $V_{th}(t = 240 \text{ s})$, analysis of the data in Figure 5. Data set size for each entry: $N = 3$. The table shows that the variation in the V_{th}^{shift} is up to ten times higher with a direct sweep measurement.

		GIT	HD-GIT
$V_{GS} < 0$	Sweep V_{th}	3.005%	2.707%
	NBSP V_{th}^{pos} (2)	0.080%	0.482%
	NBSP V_{th}^{neg} (3)	0.669%	0.246%
$V_{GS} > 0$	Sweep V_{th}	20.276%	4.637%
	NBSP V_{th}^{pos} (2)	8.530%	0.235%
	NBSP V_{th}^{neg} (3)	4.110%	0.379%
$V_{DS} \text{ max}$	Sweep V_{th}	26.548%	5.624%
	NBSP V_{th}^{pos} (2)	6.749%	0.511%
	NBSP V_{th}^{neg} (3)	10.918%	1.983%

5. Discussion and Applications

The triple sense protocol first established for SiC MOSFETs presented a good performance when applied to GaN HEMTs, particularly increasing both the stability and the robustness of the measurement results for the GIT-based technologies.

Having a stable and robust V_{th} measurement protocol established for GaN HEMTs will contribute to both the discussion on qualifying standards and the development of the research on the reliability and robustness of these devices. Indeed, the literature mentions degradation mechanisms in GaN HEMTs that are accompanied by a V_{th} shift [9].

The triple sense protocol can help establish the medium- and long-term impact of typical stressing elements known to degrade GaN HEMTs, such as static drain-source stress in the OFF state, or hard switching [25,30,31].

An example of an application of the triple sense preconditioning protocol is given in Figure 6. The GIT device was submitted to a series of $V_{DS} = 650 \text{ V}$ static stress lasting 1 s, and the V_{th} was measured using either the NBS protocol or the direct $V_{GS} = V_{DS}$ sweep after each stress. The V_{th} values obtained with the direct sweep vary constantly, but the NBSP was able to stabilize it, again proving its robustness. It shows that the measurement of V_{th} with the triple sense protocol is a more reliable method to ascertain the effect of any degrading stress on the transistor.

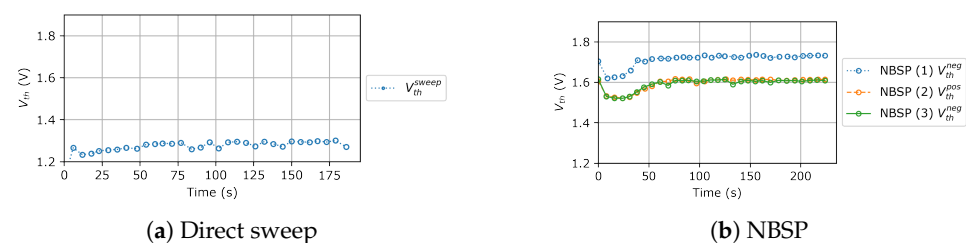


Figure 6. V_{th} shift on the GIT submitted to repeated $V_{DS} = 650 \text{ V}$ stress; each measurement point was taken after a static stress lasting 1 s. The NBS protocol reduces fluctuation over time, particularly following a negative V_{GS} stress.

The results in this study show that the V_{GS} preconditioning stress included in the protocol was able to stabilize the results of the V_{th} measurements. Therefore, it is proven that the triple sense protocol is very well adapted for GaN HEMTs.

These results can strongly contribute to the ongoing discussion on characterization standards for GaN HEMT devices.

As for the future work, this protocol should be put to test on devices under typical operating temperatures, to ensure these results are reproducible for temperatures higher

than 25 °C. However, the literature indicates that the increase in temperature contributes to a faster recovery of the threshold voltage shift [8]; this makes the study at ambient temperature a worst case scenario.

Additionally, the voltage level and the duration of the preconditioning stress can be optimized. Further studies are needed to determine the impact of variations on these variables. It would be interesting to compare the results presented in this paper with other proposed protocols, but unfortunately the literature on this subject is very limited at present.

6. Conclusions

This paper tested the applicability of the gate preconditioning protocol denominated “triple sense” from the JEDEC standard JEP184 to measure the threshold voltage of GaN HEMTs. Three commercially available devices of different normally-OFF technologies were analyzed, and the advantages of a preconditioning protocol were studied for GIT-based technologies. The triple sense protocol was proven to increase the stability of the V_{th} results for GIT-based technologies, when compared to the direct sweep measurement. The results were more stable even following off-state bias stress, which indicates that the protocol has a good robustness as well. Of the two variants tested, the protocol starting and ending with a negative bias stress (NBS) improved the stability by a factor of two on the GIT device. Therefore, it is proven that the triple sense protocol can be adapted to GaN GITs even if it was initially designed for SiC MOSFETs. The protocol could be further improved by optimizing the duration and the voltage level of each preconditioning stress, and by studying the effect of temperature on the results.

Author Contributions: Conceptualization, H.M.; Methodology, T.G.B., H.H. and H.M.; Software, H.H.; Formal analysis, T.G.B.; Investigation, T.G.B. and A.L.; Data curation, T.G.B. and A.L.; Writing—original draft, T.G.B.; Writing—review & editing, T.G.B., H.M. and D.P.; Supervision, H.M.; Project administration, D.P.; Funding acquisition, D.P. All authors have read and agreed to the published version of the manuscript.

Funding: This research was funded by the Important Project of European Common Interest (IPCEI)-nano 22 of grant number 192930223.

Data Availability Statement: Data is contained within the article.

Conflicts of Interest: The authors declare no conflict of interest. The funders had no role in the design of the study; in the collection, analyses, or interpretation of data; in the writing of the manuscript; or in the decision to publish the results.

References and Note

1. Chen, K.J.; Haberen, O.; Lidow, A.; Tsai, C.I.; Ueda, T.; Uemoto, Y.; Wu, Y. GaN-on-Si Power Technology: Devices and Applications. *IEEE Trans. Electron Devices* **2017**, *64*, 779–795. [[CrossRef](#)]
2. Hao, X.; Zou, J.; Yin, K.; Ma, X.; Dong, T. Enhanced Power Conversion Capability of Class-E Power Amplifiers with GaN HEMT Based on Cross-Quadrant Operation. *IEEE Trans. Power Electron.* **2022**, *37*, 13966–13977. [[CrossRef](#)]
3. Lu, J.; Bai, K.; Taylor, A.R.; Liu, G.; Brown, A.; Johnson, P.M.; McAmmond, M. A Modular-Designed Three-Phase High-Efficiency High-Power-Density EV Battery Charger Using Dual/Triple-Phase-Shift Control. *IEEE Trans. Power Electron.* **2018**, *33*, 8091–8100. [[CrossRef](#)]
4. Zhang, Y.; Chen, C.; Xie, Y.; Liu, T.; Kang, Y.; Peng, H. A High-Efficiency Dynamic Inverter Dead-Time Adjustment Method Based on an Improved GaN HEMTs Switching Model. *IEEE Trans. Power Electron.* **2022**, *37*, 2667–2683. [[CrossRef](#)]
5. Wu, Y.F.; Gritters, J.; Shen, L.; Smith, R.P.; Swenson, B. kV-Class GaN-on-Si HEMTs Enabling 99 and 100 kHz. *IEEE Trans. Power Electron.* **2014**, *29*, 2634–2637. [[CrossRef](#)]
6. Meneghini, M.; De Santi, C.; Abid, I.; Buffolo, M.; Cioni, M.; Khadar, R.A.; Nela, L.; Zagni, N.; Chini, A.; Medjdoub, F.; et al. GaN-based power devices: Physics, reliability, and perspectives. *J. Appl. Phys.* **2021**, *130*, 181101. [[CrossRef](#)]
7. Uemoto, Y.; Hikita, M.; Ueno, H.; Matsuo, H.; Ishida, H.; Yanagihara, M.; Ueda, T.; Tanaka, T.; Ueda, D. Gate Injection Transistor (GIT)—A Normally-Off AlGaIn/GaN Power Transistor Using Conductivity Modulation. *IEEE Trans. Electron Devices* **2007**, *54*, 3393–3399. [[CrossRef](#)]
8. Li, X.; Bakeroot, B.; Wu, Z.; Amirifar, N.; You, S.; Posthuma, N.; Zhao, M.; Liang, H.; Groeseneken, G.; Decoutere, S. Observation of Dynamic V_{TH} P-GaN Gate HEMTs Fast Sweeping Characterization. *IEEE Electron Device Lett.* **2020**, *41*, 577–580. [[CrossRef](#)]

9. Oeder, T.; Pfof, M. Gate-Induced Threshold Voltage Instabilities in p-Gate GaN HEMTs. *IEEE Trans. Electron Devices* **2021**, *68*, 4322–4328. [[CrossRef](#)]
10. Yang, F.; Xu, C.; Akin, B. Characterization of Threshold Voltage Instability under Off-State Drain Stress and Its Impact on p-GaN HEMT Performance. *IEEE Trans. Emerg. Sel. Top. Power Electron.* **2021**, *9*, 4026–4035. [[CrossRef](#)]
11. Wang, R.; Lei, J.M.; Guo, H.; Li, R.; Chen, D.J.; Lu, H.; Zhang, R.; Zheng, Y.D. V_T Shift Recovery Mechanisms P-GaN Gate HEMTs Under DC/AC Gate Stress Investigated Fast Sweeping Characterization. *IEEE Electron Device Lett.* **2021**, *42*, 1508–1511. [[CrossRef](#)]
12. Li, S.; He, Z.; Gao, R.; Chen, Y.; Chen, Y.; Liu, C.; Huang, Y.; Li, G. Time-Dependent Threshold Voltage Instability Mechanisms of p-GaN Gate AlGaIn/GaN HEMTs under High Reverse Bias Conditions. *IEEE Trans. Electron Devices* **2021**, *68*, 443–446. [[CrossRef](#)]
13. Wang, H.; Lin, Y.; Jiang, J.; Dong, D.; Ji, F.; Zhang, M.; Jiang, M.; Gan, W.; Li, H.; Wang, M.; et al. Investigation of Thermally Induced Threshold Voltage Shift in Normally-OFF p-GaN Gate HEMTs. *IEEE Trans. Electron Devices* **2022**, *69*, 2287–2292. [[CrossRef](#)]
14. Shi, Y.; Zhou, Q.; Cheng, Q.; Wei, P.; Zhu, L.; Wei, D.; Zhang, A.; Chen, W.; Zhang, B. Carrier Transport Mechanisms Underlying the Bidirectional V_{th} Shift in p-GaN Gate HEMTs Under Forward Gate Stress. *IEEE Trans. Electron Devices* **2019**, *66*, 876–882. [[CrossRef](#)]
15. Stockman, A.; Canato, E.; Meneghini, M.; Meneghesso, G.; Moens, P.; Bakeroot, B. Threshold Voltage Instability Mechanisms in p-GaN Gate AlGaIn/GaN HEMTs. In Proceedings of the 2019 31st International Symposium on Power Semiconductor Devices and ICs (ISPSD), Shanghai, China, 19–23 May 2019; pp. 287–290. [[CrossRef](#)]
16. Tallarico, A.N.; Millesimo, M.; Bakeroot, B.; Borga, M.; Posthuma, N.; Decoutere, S.; Sangiorgi, E.; Fiegna, C. TCAD Modeling of the Dynamic V_{TH} Hysteresis Under Fast Sweeping Characterization P-GaN Gate HEMTs. *IEEE Trans. Electron Devices* **2022**, *69*, 507–513. [[CrossRef](#)]
17. Wang, H.; Wei, J.; Xie, R.; Liu, C.; Tang, G.; Chen, K.J. Maximizing the Performance of 650-V p-GaN Gate HEMTs: Dynamic RON Characterization and Circuit Design Considerations. *IEEE Trans. Power Electron.* **2017**, *32*, 5539–5549. [[CrossRef](#)]
18. Ghizzo, L.; Trémouilles, D.; Richardeau, F.; Vinnac, S.; Moreau, L.; Mauran, N. Preconditioning of p-GaN power HEMT for reproducible V measurements. *Microelectron. Reliab.* **2023**, *144*, 114955. [[CrossRef](#)]
19. Aichinger, T.; Rescher, G.; Pobegen, G. Threshold voltage peculiarities and bias temperature instabilities of SiC MOSFETs. *Microelectron. Reliab.* **2018**, *80*, 68–78. [[CrossRef](#)]
20. Lelis, A.J.; Habersat, D.; Green, R.; Ogunniyi, A.; Gurfinkel, M.; Suehle, J.; Goldsman, N. Time Dependence of Bias-Stress-Induced SiC MOSFET Threshold-Voltage Instability Measurements. *IEEE Trans. Electron Devices* **2008**, *55*, 1835–1840. [[CrossRef](#)]
21. Okamoto, M.; Makifuchi, Y.; Iijima, M.; Sakai, Y.; Iwamuro, N.; Kimura, H.; Fukuda, K.; Okumura, H. Coexistence of Small Threshold Voltage Instability and High Channel Mobility in 4H-SiC(0001) Metal–Oxide–Semiconductor Field-Effect Transistors. *Appl. Phys. Express* **2012**, *5*, 041302. [[CrossRef](#)]
22. Lelis, A.J.; Green, R.; Habersat, D.B.; El, M. Basic Mechanisms of Threshold-Voltage Instability and Implications for Reliability Testing of SiC MOSFETs. *IEEE Trans. Electron Devices* **2015**, *62*, 316–323. [[CrossRef](#)]
23. JC-70.2; JEP184—Guideline for Evaluating bias Temperature Instability of Silicon Carbide Metal-Oxide-Semiconductor Devices for Power Electronic Conversion. JEDEC Comitee: Alexandria, VA, USA, 2021.
24. Tanaka, K.; Umeda, H.; Ishida, H.; Ishida, M.; Ueda, T. Effects of hole traps on the temperature dependence of current collapse in a normally-OFF gate-injection transistor. *Jpn. J. Appl. Phys.* **2016**, *55*, 054101. [[CrossRef](#)]
25. Modolo, N.; De Santi, C.; Minetto, A.; Sayadi, L.; Sicre, S.; Prechtel, G.; Meneghesso, G.; Zanoni, E.; Meneghini, M. Cumulative Hot-Electron Trapping in GaN-Based Power HEMTs Observed by an Ultrafast (10 V/Ns) On-Wafer Methodology. *IEEE Trans. Emerg. Sel. Top. Power Electron.* **2022**, *10*, 5019–5026. [[CrossRef](#)]
26. Tanaka, K.; Morita, T.; Umeda, H.; Kaneko, S.; Kuroda, M.; Ikoshi, A.; Yamagiwa, H.; Okita, H.; Hikita, M.; Yanagihara, M.; et al. Suppression of current collapse by hole injection from drain in a normally-off GaN-based hybrid-drain-embedded gate injection transistor. *Appl. Phys. Lett.* **2015**, *107*, 163502. [[CrossRef](#)]
27. EXA06C190LDS0. (Datashet) 650 V Cascode GaN Transistor, 190 m Ω . 2021.
28. GaN Systems Inc. *Application Guide Design with GaN Enhancement Mode HEMT*; GaN Systems Inc.: Kanata, ON, Canada, 2018.
29. Persson, E. *CoolGaN TM Application Note*; Infineon: Neubiberg, Germany, 2018.
30. Li, R.; Wu, X.; Yang, S.; Sheng, K. Dynamic on-State Resistance Test and Evaluation of GaN Power Devices Under Hard- and Soft-Switching Conditions by Double and Multiple Pulses. *IEEE Trans. Power Electron.* **2019**, *34*, 1044–1053. [[CrossRef](#)]
31. Rossetto, I.; Meneghini, M.; Tajalli, A.; Dalcanale, S.; De Santi, C.; Moens, P.; Banerjee, A.; Zanoni, E.; Meneghesso, G. Evidence of Hot-Electron Effects During Hard Switching of AlGaIn/GaN HEMTs. *IEEE Trans. Electron Devices* **2017**, *64*, 3734–3739. [[CrossRef](#)]

Disclaimer/Publisher’s Note: The statements, opinions and data contained in all publications are solely those of the individual author(s) and contributor(s) and not of MDPI and/or the editor(s). MDPI and/or the editor(s) disclaim responsibility for any injury to people or property resulting from any ideas, methods, instructions or products referred to in the content.