



HAL
open science

Linear polarization of the O VI lambda 1031.92 coronal line. II. Constraints on the magnetic field and the solar wind velocity field vectors in the coronal polar holes

N. -E. Raouafi, S. Sahal-Bréchet, P. Lemaire

► To cite this version:

N. -E. Raouafi, S. Sahal-Bréchet, P. Lemaire. Linear polarization of the O VI lambda 1031.92 coronal line. II. Constraints on the magnetic field and the solar wind velocity field vectors in the coronal polar holes. *Astronomy and Astrophysics - A&A*, 2002, 396, pp.1019-1028. 10.1051/0004-6361:20021418 . hal-04118178

HAL Id: hal-04118178

<https://hal.science/hal-04118178>

Submitted on 7 Jun 2023

HAL is a multi-disciplinary open access archive for the deposit and dissemination of scientific research documents, whether they are published or not. The documents may come from teaching and research institutions in France or abroad, or from public or private research centers.

L'archive ouverte pluridisciplinaire **HAL**, est destinée au dépôt et à la diffusion de documents scientifiques de niveau recherche, publiés ou non, émanant des établissements d'enseignement et de recherche français ou étrangers, des laboratoires publics ou privés.

Linear polarization of the O VI $\lambda 1031.92$ coronal line

II. Constraints on the magnetic field and the solar wind velocity field vectors in the coronal polar holes

N.-E. Raouafi¹, S. Sahal-Bréchet², and P. Lemaire³

¹ Max-Planck-Institut für Aeronomie, Max-Planck-Str. 2, 37191 Katlenburg-Lindau, Germany

² Laboratoire d'Étude du Rayonnement et de la Matière en Astrophysique (LERMA), Observatoire de Paris-Meudon, 92195 Meudon, France

³ Institut d'Astrophysique Spatiale, Université Paris XI, 91405 Orsay Cedex, France

Received 2 May 2002 / Accepted 25 September 2002

Abstract. Numerical computation results of the linear polarization parameters of the O VI $\lambda 1031.92$ coronal line are presented. They are based on theoretical results obtained by Raouafi (2002 and 2000), which give the Stokes parameters of a resonance scattering spectral line sensitive simultaneously to the Hanle effect and to the Doppler redistribution. In the present coronal case, the Hanle effect is due to the coronal magnetic field and the Doppler redistribution to the macroscopic motion of the scattering O⁵⁺ coronal ions (solar wind velocity field vector). Constraints on the coronal magnetic field vector and on the solar wind velocity field vector are obtained by comparing the numerical results and the linear polarization measurements of the O VI $\lambda 1031.92$ coronal line obtained through particular observations performed by SUMER/SoHO.

Key words. polarization – scattering – Sun: magnetic field – Sun: solar wind – Sun: corona – Sun: UV radiation

1. Introduction

The present paper is the second of a series of papers on the interpretation of the linear polarization parameters of the O VI $\lambda 1031.92$ coronal line (hereafter D₂ line). The goal is the determination of the magnetic field vector and the velocity field vector (the solar wind velocity field vector) in the solar corona. The first paper (Raouafi et al. 2002) was limited to the interpretation in terms of velocity field only. They (Raouafi et al. 2002) showed that Doppler redistribution effect on the linear polarization of the O VI D₂ coronal line gives results in agreement with the measurements done by using observations performed by the SUMER spectrometer (Solar Ultraviolet Measurements of Emitted Radiation: Wilhelm et al. 1995, 1997; Lemaire et al. 1997) operating on SoHO (the Solar and Heliospheric Observatory: Domingo et al. 1995). However, the obtained solutions correspond to velocity field vectors (solar wind velocity field vectors) with relatively high inclinations with respect to the polar axis. This is because observations show that the coronal structures in the polar holes are quasi-radial at low altitudes where SUMER/SoHO observations were done (1.29 R_⊙ from the solar center). In the present paper, the interpretation in terms of both the magnetic field and the velocity field vectors is achieved.

The O VI D₂ line is one of the strongest spectral lines emitted by the solar corona until high altitudes (Vial et al. 1980; Kohl et al. 1998; Xing Li et al. 1998; and other papers related to UVCS (Ultraviolet Coronagraph Spectrometer: Kohl et al. 1995, 1997) on SoHO. The O VI D₂ line (and also the O VI $\lambda 1037.61$ line, hereafter D₁ line) is formed in the chromosphere-corona transition region. In the corona, the O⁵⁺ ions are excited by the isotropic electronic collisions (do not create alignment in the Zeeman sub-levels of the excited ions) and by the unpolarized and partial anisotropic photons coming from the underlying transition region. The partial anisotropy of the radiation coming from the transition region creates the partial linear polarization of the O VI D₂ coronal line. This linear polarization was detected for the first time by SUMER/SoHO (for more details, see Raouafi et al. 1999a). Taking advantage of its sensitivity to the linear polarization state of the observed radiation (Wilhelm et al. 1995; Hassler et al. 1997), SUMER/SoHO has been used to analyze the partial linear polarization of the O VI D₂ line observed in the south polar hole of the solar corona at 0.29 R_⊙ above the limb at March 19, 1996 (Raouafi et al. 1999a,b,c,d, 2002). The measured parameters have been reported in Raouafi (2000) and Raouafi et al. (2002): the measured degree of linear polarization is $9 \pm 2\%$ and the rotation angle of the direction of linear polarization with respect to the tangent to the solar limb (P_x) is equal to $9^\circ \pm 6^\circ$.

Send offprint requests to: N.-E. Raouafi,
e-mail: Raouafi@linmpi.mpg.de

The mean intensity ratio of the O VI doublet (I_{D_2}/I_{D_1}) is equal to 2.88 ± 0.05 .

The determination of the linear polarization parameters of the O VI D_2 coronal line is very important. This is because the coronal line width is of a few tens of km s^{-1} and then this line should be affected by the effect of the macroscopic velocity field of the scattering ions (which can be assimilated to the solar wind outflow velocity field). The effect of the macroscopic motion of the O^{5+} ions on the linear polarization parameters of the scattered photons is studied by Raouafi et al. (2002) (see also Raouafi 2002). This study gave strong constraints on the solar wind velocity field in the coronal polar holes.

The polarization parameters of a spectral line sensitive to the Hanle effect depend both on the strength and direction of the magnetic field (Sahal-Br  chot et al. 1977; Bommier & Sahal-Br  chot 1978; Bommier et al. 1981; Bommier & Sahal-Br  chot 1982; Sahal-Br  chot et al. 1986; ...). On the one hand, the O VI D_2 line domain of sensitivity to the Hanle effect (Mitchell & Zemansky 1934) corresponds to magnetic field with strengths between few Gauss (~ 3 Gauss) to more than 300 Gauss. On the other hand, the expected order of magnitude of the inner corona magnetic field is a few Gauss (this comes from theoretical models, but the coronal magnetic field has never been measured). Thus, one expects that the linear polarization of the O VI D_2 line should be affected also by the coronal magnetic field (Sahal-Br  chot et al. 1986) in addition to the macroscopic velocity field of the O^{5+} ions (Raouafi et al. 2002).

The present work is devoted to numerical computations of linear polarization parameters of the O VI D_2 coronal line by using theoretical results obtained by Raouafi (2000, 2002). In Sect. 2, We study the magnetic field effect alone on the linear polarization of the O VI D_2 coronal line. In Sect. 3, we combine the magnetic field and the macroscopic velocity field effects. By comparing the numerical results with the observational ones, we obtain constraints on the solar wind velocity field and the coronal magnetic field vectors in the coronal polar holes.

2. Effect of the magnetic field on the linear polarization of O VI D_2 coronal line

In the present section, we take into account only the Hanle effect due to the coronal magnetic field on the O VI D_2 linear polarization parameters. We cancel the Doppler dimming term in the equations presented by Raouafi (2000, 2002). These equations giving the Stokes parameters of a resonance scattering spectral line sensitive to the Hanle and Doppler redistribution effects are general. They give the Stokes parameters as a function of the magnetic field vector and the velocity field vector of the scattering atoms (or ions). However, the equation structures show that both effects are decoupled. By canceling the magnetic field, we obtain results of Sahal-Br  chot et al. (1998), which give only the effect of the velocity field. To obtain the magnetic field effect alone, it is sufficient to eliminate the dimming term by canceling the macroscopic velocity field vector of the scattering ions, and we obtain the results of Sahal-Br  chot et al. (1986).

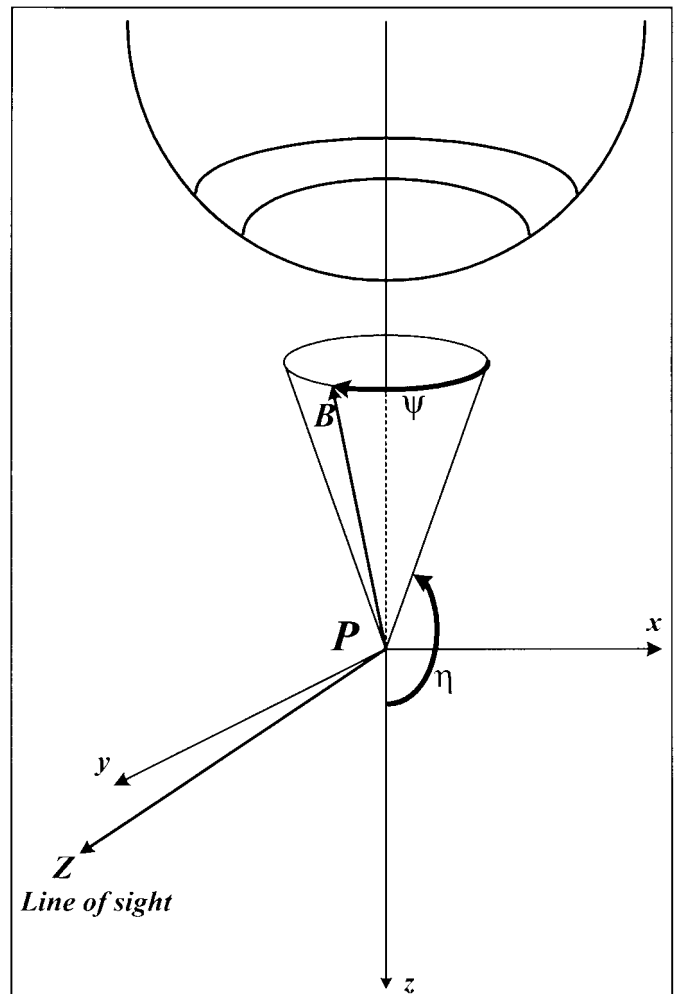


Fig. 1. Definition of the axes and angles in the case where we take into account the effect of the magnetic field on the O VI D_2 linear polarization parameters. The magnetic field vector is oriented toward the solar disk (top of the present figure). For the numerical computations, the polar angle η varies between 180° (vector parallel to the polar axis) and 90° . For each value of the couple (B, η) , the azimuth angle ψ varies from 0 to 2π in a way that the magnetic field vector can have all the possible directions around the polar axis.

In order to minimize the number of free parameters in the numerical calculations, it is useful to have an idea, even global, on the magnetic field “topology” in the south coronal polar hole during the observations (March 1996). The polarimetric observations of the O VI D_2 coronal line performed by SUMER/SoHO were done during the minimum of the solar activity. The knowledge of the mean magnetic polarity of the Sun allows this ambiguity to be eliminated. The Ulysses ESA/NASA (European Space Agency/National Aeronautics and Space Administration) space mission which had measured the mean magnetic field of the Sun during this period of time: the south geographic pole of the Sun was also the negative pole of the mean magnetic field. Consequently, the mean magnetic field lines should be oriented toward the solar disk in the south hemisphere of the Sun and in particular in the south polar hole of the solar corona where the field lines are open (see Fig. 1). For the numerical computations, we consider a magnetic field

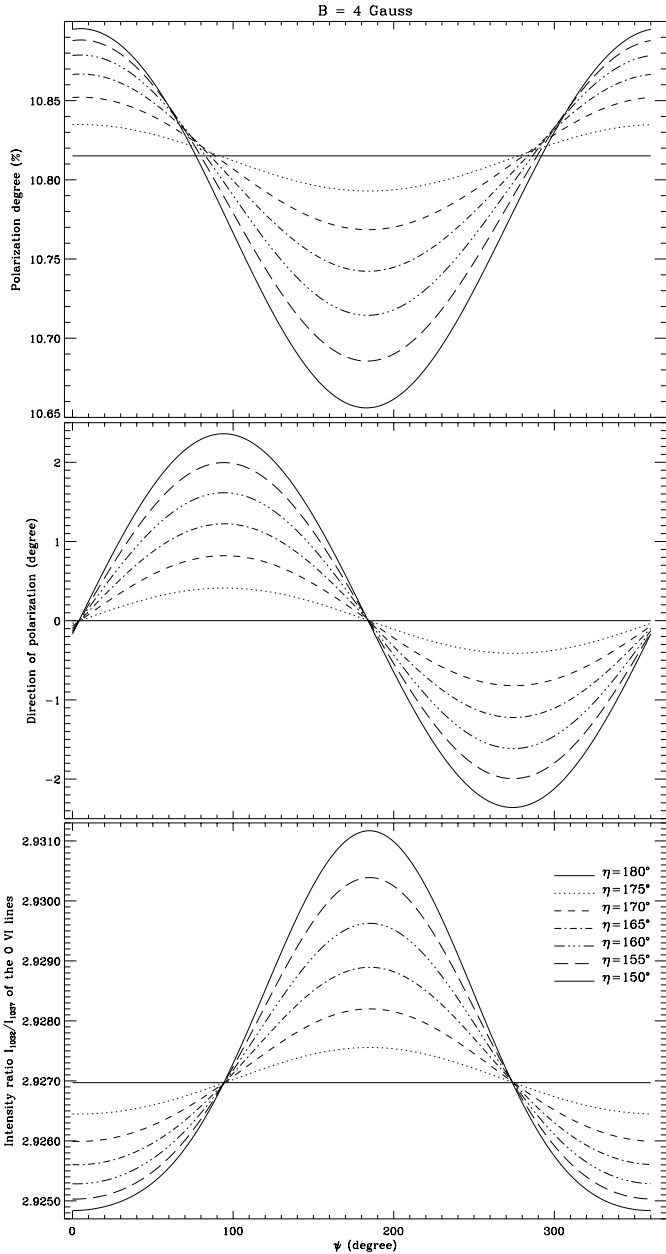


Fig. 2. Variation of the linear polarization parameters (degree (top panel) and rotation angle of the polarization direction with respect to the tangent to the solar limb (medium panel)) given as a function of the azimuth angle (for different values of the polar angle) obtained by taking into account the effect of a magnetic field of 4 Gauss. Bottom panel gives the variation of the intensity ratio of the O VI doublet.

vector oriented toward the solar disk but not necessary parallel to the polar axis. This is because magnetic field vectors parallel to the symmetry axis of the incident radiation have no effect on the linear polarization of the scattered radiation. Thus, the cylindrical symmetry of the incident radiation is not broken. In other words and from a theoretical point of view, this is equivalent to say that coherence terms do not appear in the density matrix of the scattered photons which means no changes for the polarization parameters.

The magnetic field vector is defined by its strength B and by two angles η and ψ . η is the polar angle made by the magnetic

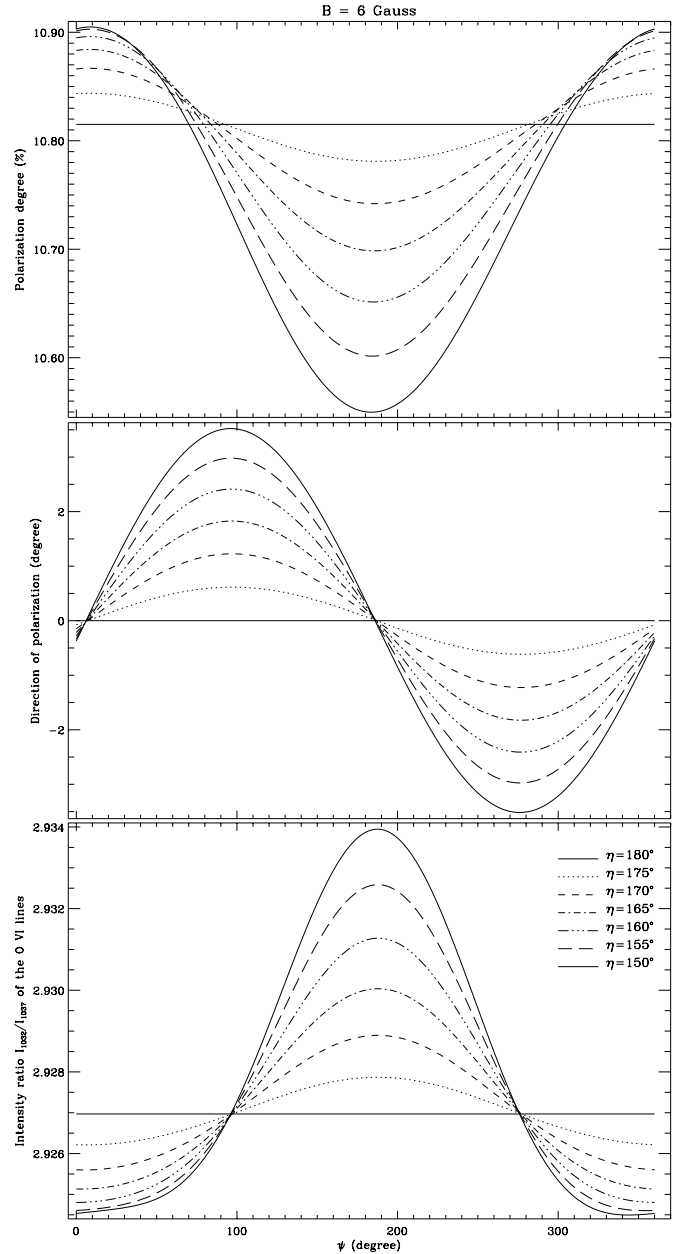


Fig. 3. The same as Fig. 2 but for a magnetic field of 6 Gauss.

field vector and the polar axis (Pz). The azimuth angle ψ is that made by the projection of the magnetic field vector on the plane (xPy) with the tangent to the solar limb (Px). The definition of the different axes and the angles η and ψ are given in Fig. 1.

For the numerical calculations, we choose a range for the magnetic field strength from 1 to 10 Gauss, the polar angle η varies from 180° to 90° and the azimuth angle from 0° to 360° .

2.1. Discussion of the numerical results

As expected, magnetic field vectors parallel to the polar axis do not have any effect on the polarization parameters (degree and direction of the linear polarization) of the scattered photons (see top and medium panels of Figs. 2 and 3).

The curves giving the linear polarization degree, as a function of the azimuth angle ψ , have quasi-sinusoidal shapes for magnetic field vectors inclined with respect to the polar axis. The amplitude of these curves increases with the polar angle and with the magnetic field strength. This is due to the fact that the major variation of the linear polarization degree is due to the transversal component (B_x and B_y) which increases with the polar angle and with the magnetic field strength.

Maximum of depolarization of the scattered radiation corresponds to magnetic field vectors located around the plane of the sky in the half space ($x < 0$) (Figs. 2 and 3). However, magnetic field vectors with directions around the plane of the sky in the half space ($x > 0$) could be polarizing for the scattered line until a critical value of their strength beyond which they become depolarizing. This is due to the fact that the scattering angle θ is equal to -83° (for more details, see Fig. 5 in Raouafi et al. 2002). However, in the case of right angle scattering, the magnetic field is always depolarizing. In the interval of values where the magnetic field is polarizing and for a given value of the polar angle η , the linear polarization degree increases with the magnetic field strength until a critical limit beyond which it (the polarization degree) decreases when the magnetic field strength continues to increase (Fig. 2 and 3).

The curves giving the rotation angle of the linear polarization direction with respect to the tangent to the solar limb as a function of the azimuth angle are sinusoidal functions (medium panels of Figs. 2 and 3). This is due to the fact that the rotation of the direction of the linear polarization is mainly due to the magnetic field component along to the axis (Py) which is a sinusoidal function of the azimuth angle ψ . The amplitude of these curves increases with the polar angle η . It increases also with the magnetic field strength (Figs. 2 and 3). This is for the same reasons as for the degree of linear polarization.

In the case of the velocity field alone, the extremes of the curves giving the linear polarization parameters (degree and the rotation angle of the polarization direction with respect to the tangent to the solar limb (Px)) are fixed (see Raouafi et al. 2002). However, in the present case (magnetic field alone), the curve extremes move when the magnetic field strength changes (Figs. 2 and 3).

Generally magnetic field vectors located in the half space ($y > 0$) (vectors with directions around the scattering plane (zPZ)) give positive rotation angles of the linear polarization direction (Figs. 2 and 3). However, magnetic field vectors with directions in the other half space ($y < 0$) give negative rotation angles of the linear polarization direction with respect to the tangent to the solar limb (Px).

Bottom panels of Figs. 2 and 3 give the variation of the intensity ratio of the O VI doublet as a function of the azimuth angle ψ for different values of the polar angle η and for magnetic fields with strengths 4 and 6 Gauss, respectively. As for the polarization parameters, magnetic field vectors parallel to the symmetry axis of the incident radiation (Pz) do not have any effect on the intensity ratio (I_{D_2}/I_{D_1}), which is equal in this case to 2.927. The displacement of the curves giving the polarization parameters is also seen for the curves giving (I_{D_2}/I_{D_1}).

2.2. Comparison with the observations

For weak values of the magnetic field strength (< 6 Gauss), the effect of the magnetic field on the linear polarization of the O VI D_2 coronal line and on the intensity ratio of the O VI doublet gives results in agreement with the observational measurements only for vectors with strong inclination angles with respect to the polar axis (Pz) (see Fig. 2; top panels of Fig. 9 and also first rows of Table 1 for $B = 4$ and 5 Gauss and $V = 0$ km s $^{-1}$). For magnetic field vectors with strengths greater than 6 Gauss, the Hanle effect taken into account alone gives good results for vectors with medium and strong inclination angles with respect to the polar axis (see Fig. 3; top panel of Fig. 9 and also the first row of Table 1 for $B = 6$ Gauss and $V = 0$ km s $^{-1}$). We should notice that the effect of magnetic field vectors with strengths lower than 3 Gauss ($B \leq 3$ Gauss) is sufficient to give results in agreement with the observations.

The results obtained by taking only into account the Hanle effect due to the coronal magnetic field vector correspond to vector with high inclination angle with respect to the polar axis. Such inclinations are not expected at low altitudes in the coronal polar holes where observations show that the magnetic field lines are almost along the radial direction. In the next section, we will study the effect of the combination of the effects of the coronal magnetic field and the solar wind velocity field vectors on the polarization parameters of the O VI D_2 line on the intensity ratio of the O VI doublet. This is in order to obtain better results than those obtained in the cases of the velocity field alone and the magnetic field alone.

3. Combination of the magnetic field effect and the velocity field effect

In the inner corona, the plasma is confined in the magnetic field lines. This is because the magnetic pressure is much greater than that of the plasma ($\beta \ll 1$). Consequently, the macroscopic motion of the coronal material should be along the magnetic field lines. This is equivalent to say that the macroscopic velocity field vector of this material is parallel to the coronal magnetic field vector. In the south hemisphere of the Sun, the mean magnetic field lines are oriented toward the solar disk during the last minimum of the solar activity (Ulysses mission). However, the solar wind particles run away from the solar disk, which is equivalent to say that the macroscopic velocity field vector of these particles is oriented outward the solar disk. Consequently during the period of the observations, the magnetic field and the solar wind velocity field vectors in the south coronal polar hole are parallel but with opposite directions.

For the numerical calculations, we consider a magnetic field vector parallel to the velocity field vector but with an opposite direction (the magnetic field is directed toward the solar disk). The magnetic field and the velocity field vectors are defined by their strengths (B and V) and by two angles η (the polar angle) and ψ (the azimuth angle) (η and ψ have the same definition as in the previous section, see Fig. 4). We choose the following range of variation: the magnetic field strength B varies from 1 Gauss to 10 Gauss, the velocity field strength V varies from 0 to 100 km s $^{-1}$, η varies from 180° to 90° and ψ

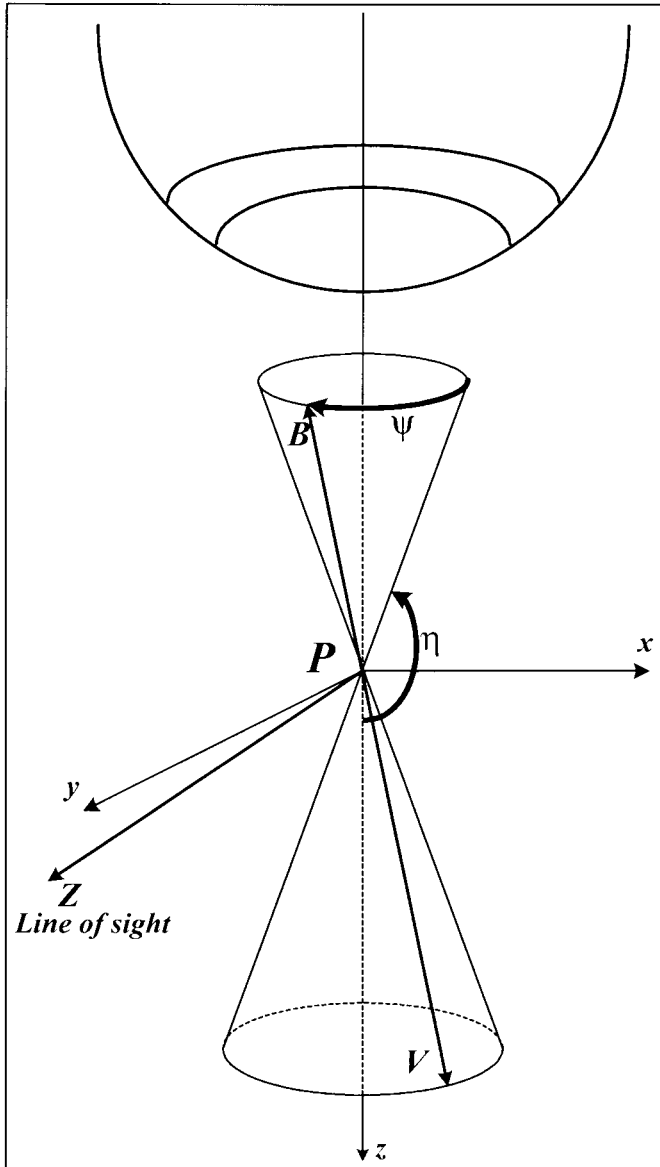


Fig. 4. The polar angle η and the azimuth one ψ have the same definitions as in the case of the magnetic field alone. The magnetic field vector and the velocity field vector are parallel but have opposite directions (the magnetic field vector is toward the solar disk and the velocity field vector is outward).

varies from 0° to 360° . For each couple (\mathbf{B}, \mathbf{V}) , we calculate the linear polarization parameters of the O VI D_2 scattered line along the line of sight (PZ) (degree and rotation angle of the direction of linear polarization with respect to the tangent to the solar limb) and the intensity ratio (I_{D_2}/I_{D_1}) of the O VI doublet.

For the interpretation of the obtained numerical results, as for the case of the velocity field alone (Raouafi et al. 2002) or the magnetic field alone (previous section), we divide the polar angle η range values into three sub-intervals:

- * weak inclinations ($160^\circ \leq \eta \leq 180^\circ$);
- * medium inclinations ($150^\circ \leq \eta < 160^\circ$);
- * strong inclinations ($\eta < 150^\circ$).

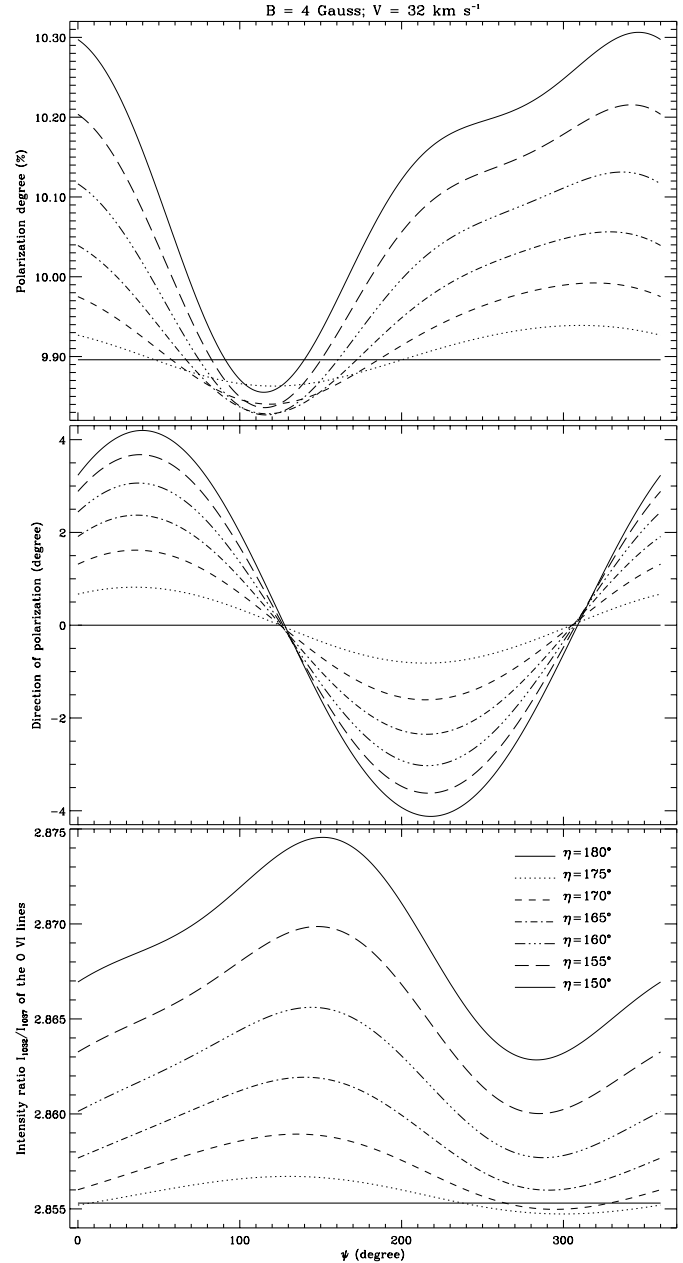


Fig. 5. The linear polarization parameters (degree and the rotation angle of the polarization direction with respect to the tangent to the solar limb) given as a function of the azimuth angle (for different values of the polar angle) in the case of the combination of a magnetic field of 4 Gauss and a velocity field of 32 km s^{-1} . The asymmetry of the curves giving the linear polarization degree is quiet remarkable.

3.1. Discussion of the numerical results

As in the case of the Hanle effect alone or the Doppler redistribution alone, the combination of the effects of magnetic field and velocity field vectors parallel to the polar axis (Pz) does not have any effect on the direction of linear polarization. It gives, for a given value of V , a linear polarization degree equal to that obtained by taking into account only the effect of the velocity field (see Figs. 5–8).

The curves giving the degree of linear polarization of the scattered photons as a function of the azimuth angle ψ present

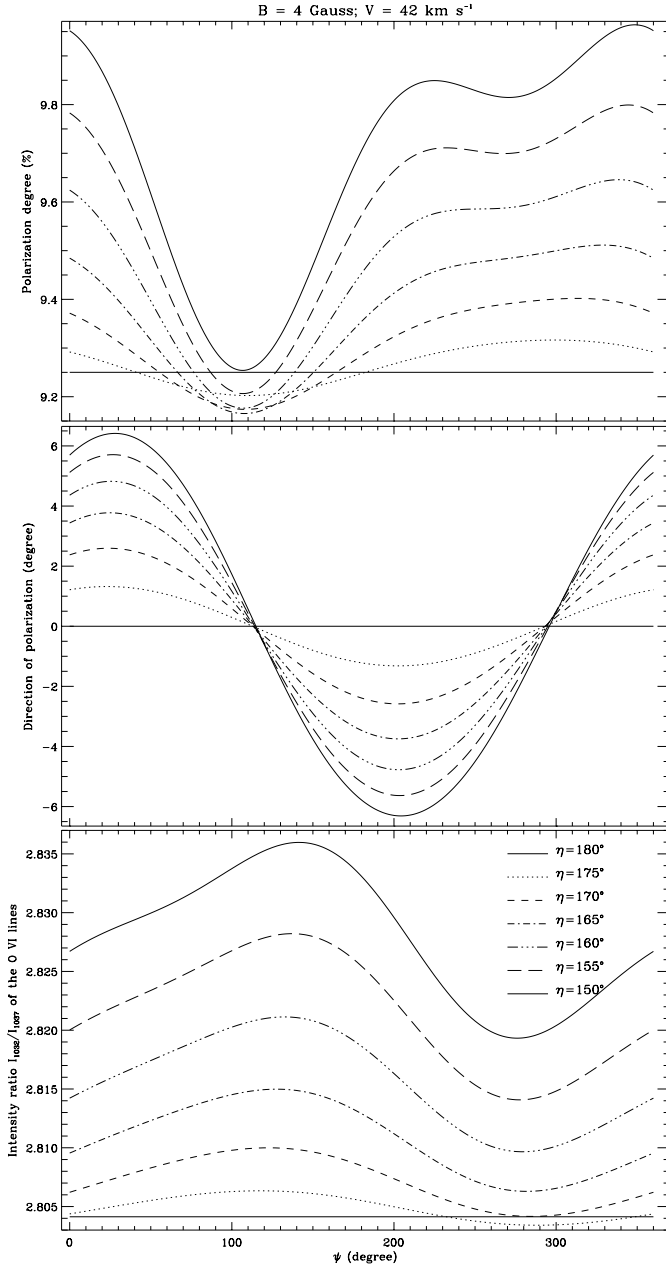


Fig. 6. The same as Fig. 5 but for a magnetic field of 4 Gauss combined with a velocity field vector of 42 km s^{-1} .

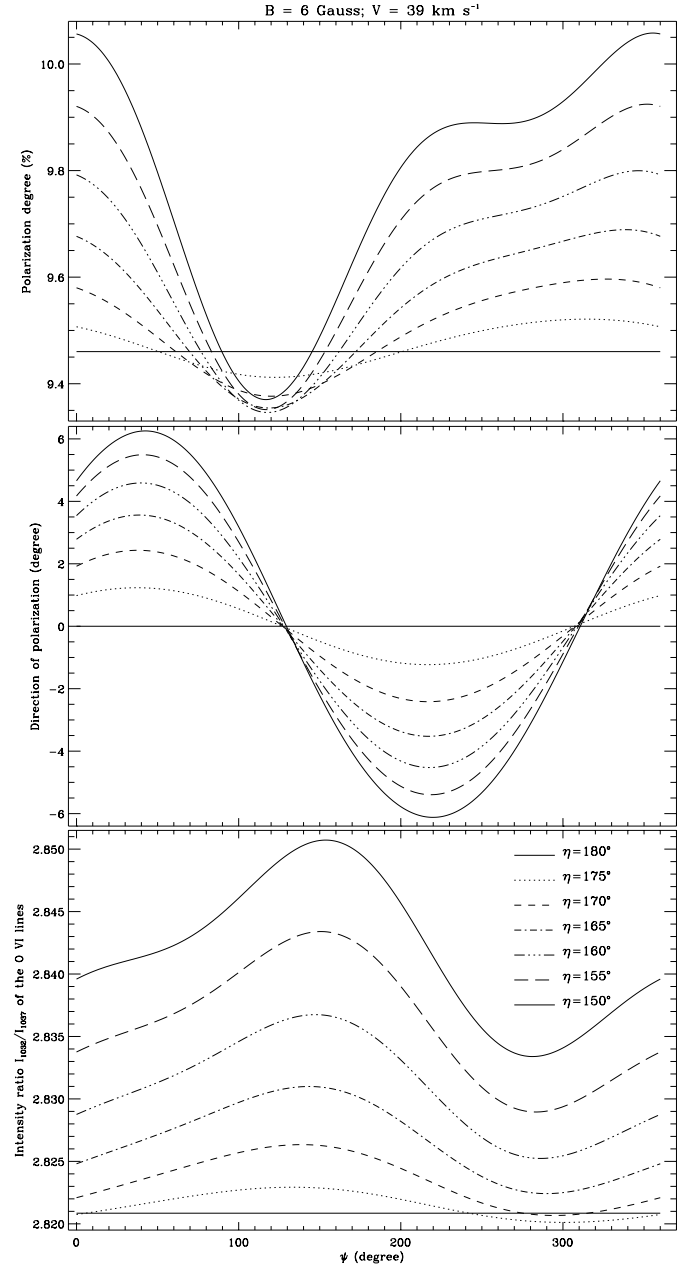


Fig. 7. The same as Fig. 5 but for a magnetic field of 6 Gauss combined with a velocity field vector of 39 km s^{-1} .

an increasing asymmetry with the velocity field strength V and also with the polar angle η . This asymmetry decreases by increasing the magnetic field strength (top panels of Figs. 5–8). In fact, there is a competition between the magnetic field effect and the velocity field effect. By increasing the velocity field strength, the curves are more and more similar to those obtained in the case of the velocity field alone (Raouafi et al. 2002) and vice versa. Curves obtained in the case of the magnetic field alone and in the case of the velocity field alone are in fact the limit ones.

The competition between the velocity field effect and the magnetic field effect on the linear polarization of the scattered radiation appears also in the shift of the curves giving the polarization degree (also those giving the rotation angle of the

linear polarization direction) (Figs. 5–8). The extremes of these curves move toward weak values of the azimuth angle ψ by increasing the velocity field strength for a given value of that of the magnetic field and toward high values of ψ by increasing the magnetic field strength for a given value of that of the velocity field. This corresponds to the shift variation of the curves observed in the case where we only take into account the effect of the magnetic field.

As in the case of the magnetic field effect and the case of the velocity field effect taken separately into account, the curves giving the rotation angle of the polarization direction (with respect to the tangent to the solar limb) as a function of the azimuth angle ψ are sinusoidal (medium panels of Figs. 5–8). The amplitude of curves giving the rotation angle of the

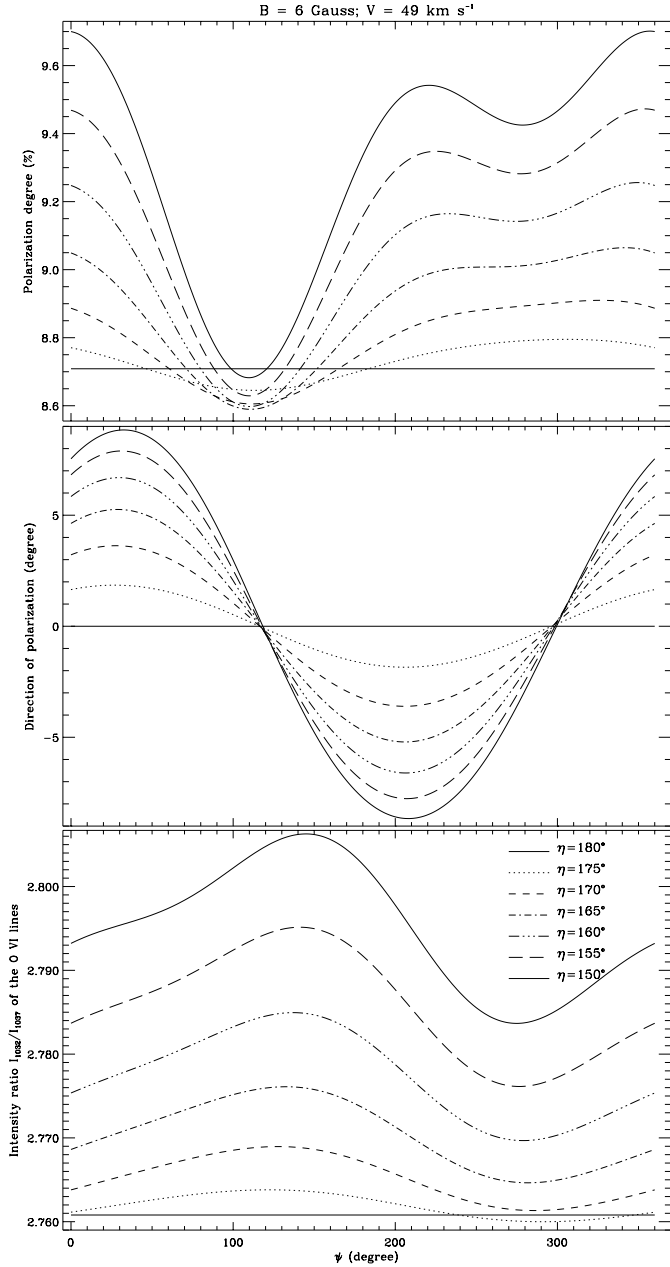


Fig. 8. The same as Fig. 5 but for a magnetic field of 6 Gauss combined with a velocity field vector of 49 km s⁻¹.

polarization direction as a function of the azimuth angle increases with the polar angle η , with the velocity field strength and with the magnetic field strength. This is for the same reasons reported in Raouafi et al. (2002) and in the previous section of the present paper.

Positive rotation angles of the polarization direction of significant values ($3^\circ \leq \Omega_0 \leq 15^\circ$, see Raouafi et al. 2002) are obtained for magnetic fields located in the vicinity of the scattering plane in the half-space ($y > 0$) for weak values of the velocity field strength ($V \leq 30$ km s⁻¹). For stronger velocity fields, positive rotation angles of the direction of polarization correspond to magnetic field vectors located in the vicinity of the plane of the sky.

The effect of the combination of the coronal magnetic field and the solar wind velocity field on the intensity ratio of the O VI doublet lines is given by the bottom panels of Figs. 5–8. The shapes of these curves are between those of the curves obtained in the case of the velocity field effect alone (Raouafi et al. 2002) and in the case of the magnetic field alone (previous section). The curves obtained in these latter cases are in fact the limit ones.

3.2. Comparison with the observations

The results obtained by combining the effects of the coronal magnetic field and solar wind velocity field vectors are presented for each value of the magnetic field strength as a function of the inclination angle interval by giving the outflow speed ranges of the scattering ions that give numerical results in agreement with the measurements.

3.2.1. Combination of $B = 3$ Gauss with the velocity field

If we limit ourselves to the effect of a magnetic field of 3 Gauss combined with the velocity field effect, the solar wind outflow speed depend on the direction of the magnetic field vector (and consequently on the direction of the velocity field vector). If we take into account only the effect of weakly inclined vectors with respect to the polar axis ($160^\circ \leq \eta \leq 180^\circ$), we obtain numerical results compatible with the observations for speeds between 33 and 39 km s⁻¹. In this case, the velocity field vectors are blue-shifting and in the quarter space ($x > 0, y > 0$). If we take into account in addition the effects of magnetic field and velocity field vectors with medium inclinations, we obtain good results for velocity field vectors with strengths between 27 and 42 km s⁻¹. However, if we take into account the effect of the all the vectors independently with their inclinations, we obtain good results for velocity field speeds between 21 and 48 km s⁻¹. The directions of these magnetic field vectors (and thus of the velocity field vectors) depend on the strength of the velocity field. These results are summarized in the first part of Table 1.

For a magnetic field of 4 Gauss, the obtained results are similar to those obtained with a magnetic field of 3 Gauss. Providing that the velocity field be different from zero, the Hanle effect is able to give results consistent with the measurements. These results are summed up in Table 1 (see also Fig. 9).

3.2.2. Combination of $B = 5$ Gauss with the velocity field

In order to obtain good results, a magnetic field vector with a strength of 5 Gauss should be combined with velocity field vectors with strength ranges depending on the inclination angle interval as the following:

- * weak inclinations: $30 \leq V \leq 39$ km s⁻¹;
- * weak+medium inclinations: $13 \leq V \leq 42$ km s⁻¹;
- * weak+medium+strong inclinations: $0 \leq V \leq 49$ km s⁻¹.

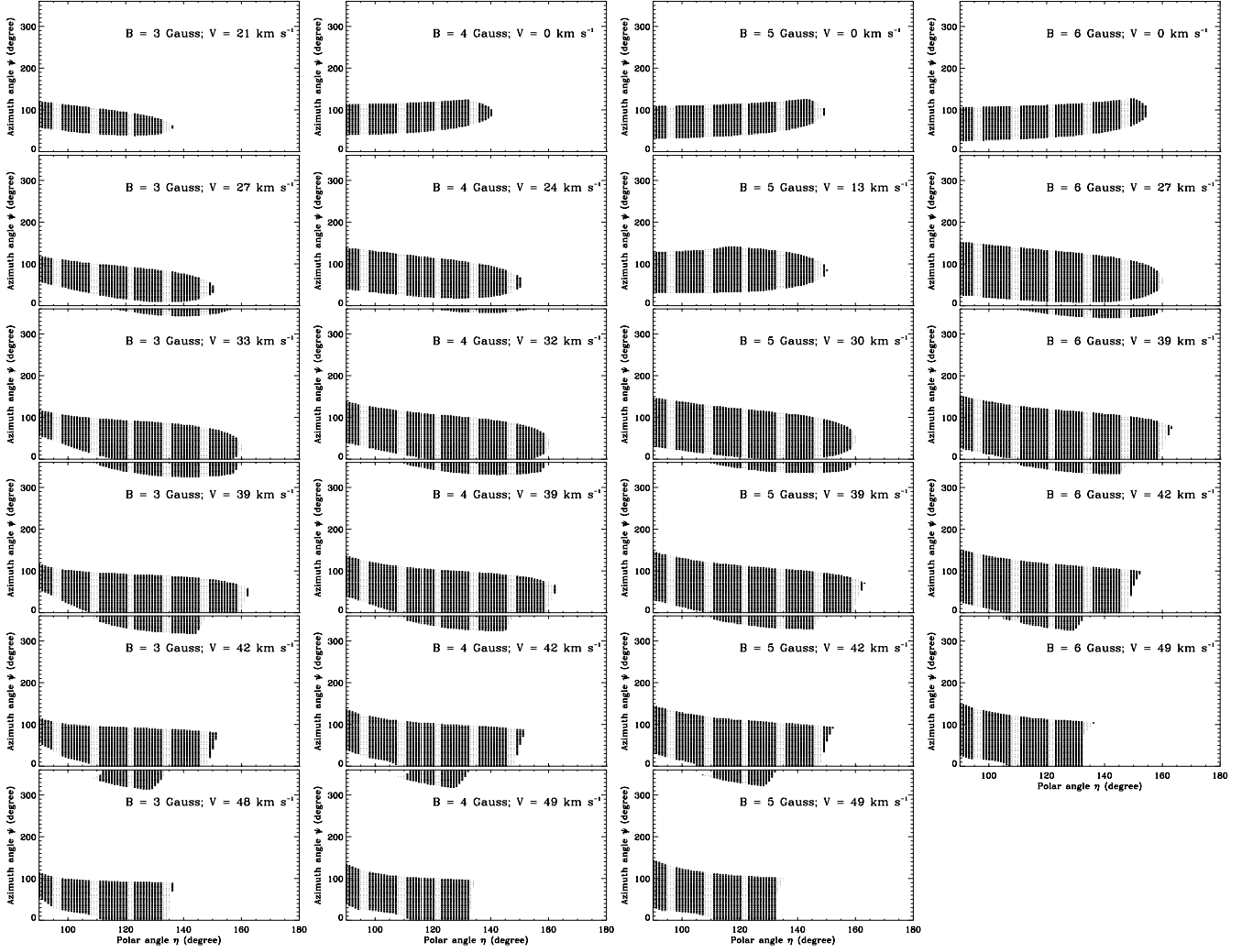


Fig. 9. (η, ψ) diagrams giving the complete solutions obtained by the combination of the magnetic field and velocity field effects corresponding to the values given in Table 1 (outflow speed limits of the scattering ions given in Table 1 for the different domains of the inclination angle η for different values of the different values of the magnetic field strength). These diagrams give strengths and directions of the magnetic field and the velocity field vectors yielding results in agreement with the measurements. For a given value of the magnetic field strength and a given value of the velocity field strength, only vectors with directions given by the shaded area in the diagrams give results compatible with the measured values. We recall that the magnetic field vector and the velocity field vector are parallel and have opposite directions. For example for a magnetic field with a strength of 5 Gauss, according to these diagrams, if we limit ourselves to weakly inclined vectors ($160^\circ \leq \eta \leq 180^\circ$ with respect to the polar axis (Pz) in Fig. 4), the magnetic field should be combined with velocity field vectors with strengths between 30 and 39 km s^{-1} to obtain polarization parameters and intensity ratio of the O VI doublet (I_{D_2}/I_{D_1}) consistent with the measured ones. If we take into account in addition vectors with medium inclinations ($150^\circ \leq \eta < 160^\circ$), the magnetic field should be combined with velocity field vectors with strengths between 13 and 42 km s^{-1} give results in agreement with observations. If we add the effect of highly inclined vectors ($150^\circ > \eta$), we obtain good results when the magnetic field effect is combined with the effect of velocity field vectors with strengths between 0 and 49 km s^{-1} . All these results are obtained for an electron density of $3.5 \times 10^6 \text{ cm}^{-3}$.

The directions of the vectors giving numerical results in agreement with the observations are in general distributed around the scattering plane (zPZ) (see Fig. 9 and Table 1).

3.2.3. Combination of $B = 6$ Gauss with the velocity field

The effect of magnetic fields with strengths greater than 6 Gauss becomes more and more important. To obtain good results for medium inclined vectors, the effect of the velocity field vector of the scattering ions is no longer needed. But for

weak values of the inclination angle, the effect of the velocity field vector is always necessary. To obtain results consistent with the measurements, and if we take into account the effect of

- * vectors with weak inclinations, a magnetic field of 6 Gauss should be combined with velocity field vectors within the range 27 to 39 km s^{-1} ;
- * vectors with weak+medium inclinations, the 6 Gauss magnetic field should be combined with velocity field with strengths between 0 and 42 km s^{-1} ;

Table 1. Summary of the results obtained by taking into account the effect of the coronal magnetic field (Hanle effect) combined with the Doppler redistribution effect due to the macroscopic outflow velocity field vector of the O^{5+} ions on the linear polarization of the O VI D_2 coronal line and the intensity ratio of the O VI D_1 and D_2 lines. For each value of the magnetic field strength, ranges of the velocity field vectors giving polarization parameters and intensity ratio of the O VI doublet in agreement with the observational measurements are given for each domain of the inclination angle of the magnetic field vector with respect to the polar axis (the velocity field vector has an opposite direction of that of the magnetic field vector). The whole solutions given by the combination of these vectors are given in Fig. 9.

$B = 3$ Gauss			$B = 4$ Gauss			$B = 5$ Gauss			$B = 6$ Gauss		
V	η	ψ	V	η	ψ	V	η	ψ	V	η	ψ
	136°	55° → 62°		137°	73° → 114°		135°	51° → 121°		151°	68° → 124°
21	↓		0	↓		0	↓		0	↓	
	90°	58° → 120°		90°	40° → 113°		90°	32° → 108°		135°	43° → 117°
	150°	31° → 48°		150°	44° → 67°		150°	83° → 86°		↓	
	↓			↓			↓			90°	26° → 105°
27	135°	9° → 82°	24	135°	19° → 101°	13	135°	41° → 129°		160°	51° → 68°
	↓			↓			↓			↓	
	90°	57° → 119°		90°	40° → 138°		90°	31° → 129°	27	135°	8° → 123°
	160°	21° → 35°		160°	26° → 48°		160°	38° → 57°		↓	
	↓			↓			↓			90°	26° → 153°
33	135°	-16° → 86°	32	135°	-9° → 98°	30	135°	0° → 110°		163°	74° → 79°
	↓			↓			↓			↓	
	90°	56° → 118°		90°	40° → 137°		90°	31° → 147°	39	135°	-20° → 111°
	162°	40° → 58°		162°	47° → 66°		163°	70° → 71°		↓	
	↓			↓			↓			90°	26° → 152°
39	135°	-34° → 88°	39	135°	-28° → 96°	39	135°	-24° → 104°		152°	93° → 99°
	↓			↓			↓			↓	
	90°	56° → 117°		90°	39° → 136°		90°	31° → 146°	42	135°	-26° → 109°
	151°	64° → 80°		151°	71° → 87°		152°	91° → 93°		↓	
	↓			↓			↓			90°	26° → 151°
42	135°	-40° → 88°	42	135°	-35° → 96°	42	135°	-30° → 103°		136°	103° → 105°
	↓			↓			↓		49	↓	
	90°	55° → 116°		90°	39° → 135°		90°	31° → 145°		90°	26° → 150°
	136°	70° → 89°		135°	93° → 95°		135°	94° → 101°			
	↓			↓		49	↓				
48	90°	54° → 114°	49	90°	39° → 134°	49	90°	31° → 144°			

* vectors with weak+medium+strong inclinations, a magnetic field with strength of 6 Gauss should be combined with velocity field vectors between 0 and 49 km s⁻¹.

For all the previous cases ($B = 3, 4, 5$ and 6 Gauss), the upper limits of the outflow speed of the scattering ions for each interval of the polar angle are the same for all the magnetic field strengths. Only the lower limit of the solar wind velocity field varies by changing the magnetic field strength.

3.3. Discussion

In the present paper, we have shown that the combination of the coronal magnetic field and the solar wind velocity field effects on the linear polarization of the O VI D_2 line and on the intensity ratio of the O VI doublet gives results better than those obtained in the case where we consider the solar wind velocity field effect only (and much better than those given by the magnetic field alone). We obtain constraints on the coronal magnetic field and on the solar wind velocity field vectors in the polar holes of the solar corona. However, even in this case, the obtained solutions correspond to magnetic field vectors (and consequently velocity field vectors) with relatively high values of their polar angles with respect to the solar polar axis.

The temperature anisotropy observed by UVCS/SoHO at higher altitudes in the polar holes of the solar corona would have an important effect on the polarization parameters of the scattered radiation, particularly on the direction of the linear polarization. This anisotropy is interpreted by the ion-cyclotron effect that creates anisotropy in the velocity field distribution of the scattering ions. Theoretically, ion-cyclotron waves can exist everywhere in the solar corona until the chromosphere (E. Marsch, private communication). This would be taken into account and will be the topic of a further paper.

4. Conclusion

The effect of the coronal magnetic field effect on the linear polarization of the D_2 line and on the intensity ratio of D_1 and D_2 doublet of the O^{5+} coronal ions gives results in agreement with the measured values but only for vector with medium and strong inclination angles with respect to the polar axis of the Sun. The combination of the Hanle effect due to the coronal magnetic field and the Doppler redistribution effect due to the macroscopic velocity field vector (which can be assimilated in to the solar wind velocity field) give us results for the magnetic field and solar wind velocity field vectors compatible with the observational measurements done by SUMER/SoHO.

The obtained results are better than those obtained by Raouafi et al. (2002) in the case where they consider only the effect of the Doppler redistribution.

In the present paper and in Raouafi et al. (2002) as well, the considered velocity field distribution is a simple Maxwellian with a drift velocity field vector which describes the macroscopic motion of the scattering ions (solar wind velocity field vector). The polarization parameters of the O VI D₂ coronal line are more sensitive to the velocity field effect than to the magnetic field effect. However, these parameters could be more sensitive to an anisotropic velocity field distribution (in particular the direction of linear polarization). The effect of this latter will be the topic of a further paper.

Acknowledgements. The authors would like to thank an anonymous referee for critical and helpful comments on the manuscript.

The SUMER project is supported by DLR, CNES, NASA, and ESA PRODEX programs (Swiss contribution). The SoHO is a mission of international cooperation between ESA and NASA.

References

- Bommier, V., & Sahal-Br  chot, S. 1978, *A&A*, 69, 57
 Bommier, V., Leroy, J. L., & Sahal-Br  chot, S. 1981, *A&A*, 100, 231
 Bommier, V., & Sahal-Br  chot, S. 1982, *Sol. Phys.*, 78, 157
 Domingo, V., Fleck, B., & Poland, A. I. 1995, *Sol. Phys.*, 162, 1
 Doschek, G. A., Warren, H. P., Laming, J. M., et al. 1997, *ApJ*, 482, L109
 Hassler, D. M., Lemaire, L., & Longval, Y. 1997, *Appl. Opt.*, 36, 353
 Kohl, J. L., Esser, R., Gardner, L. D., et al. 1995, *Sol. Phys.*, 162, 313
 Kohl, J. L., Noci, G., Antonucci, E., et al. 1997, *Sol. Phys.*, 175, 613
 Kohl, J. L., Noci, G., Antonucci, E., et al. 1998, *ApJ*, 501, L127
 Lemaire, P., Wilhelm, K., Curdt, W., et al. 1997, *Sol. Phys.*, 170, 105
 Mitchell, A. C. G., & Zemansky, M. W. 1934, *Resonance radiation and excited atoms* (Cambridge University Press)
 Patsourakos, S., & Vial, J.-C. 2000, *A&A*, 359, L1
 Raouafi, N.-E., Lemaire, P., & Sahal-Br  chot, S. 1999a, *A&A*, 345, 999
 Raouafi, N.-E., Sahal-Br  chot, S., Lemaire, P., & Bommier, V. 1999b, *Proc. of the 2nd Solar Polarization Workshop: Solar Polarization*, ed. K. N. Nagendra, J. O. & Stenflo (Kluwer Academic Publishers), 349
 Raouafi, N.-E., Lemaire, P., & Sahal-Br  chot, S. 1999c, *Proc. 8th SoHO Workshop Plasma Dynamics and Diagnostics in the Solar Transition Region and Corona*, Paris, France, 22–25 June 1999 (ESA SP-446, October 1999)
 Raouafi, N.-E., Sahal-Br  chot, S., & Lemaire, P. 1999d, *Proc. 9th European Meeting on Solar Physics, Magnetic Fields and Solar Processes*, Florence, Italy, 12–18 September 1999 (ESA SP-448, December 1999)
 Raouafi, N.-E. 2000, *Th  se de doctorat*, University of Paris XI, Orsay-France
 Raouafi, N.-E. 2002, *A&A*, 386, 721
 Raouafi, N.-E., Sahal-Br  chot, S., Lemaire, P., & Bommier, V. 2002, *A&A*, 390, 691
 Sahal-Br  chot, S., Bommier, V., & Leroy, J. L. 1977, *A&A*, 59, 223
 Sahal-Br  chot, S., Malinovsky, M., & Bommier, V. 1986, *A&A*, 168, 284
 Sahal-Br  chot, S., Bommier, V., & Feautrier, N. 1998, *ApJ*, 340, 579
 Vial, J.-C., Lemaire, P., Artzner, G., & Gouttebroze, P. 1980, *Sol. Phys.*, 68, 187
 Warren, H. P., Mariska, J. T., & Wilhelm, K. 1997, *ApJ*, 490, L187
 Wilhelm, K., Curdt, W., Marsch, E., et al. 1995, *Sol. Phys.*, 162, 189
 Wilhelm, K., Lemaire, P., Curdt, W., et al. 1997, *Sol. Phys.*, 170, 75
 Wilhelm, K., Marsch, E., Dwivedi, B. N., et al. 1998, *ApJ*, 500, 1023
 Li, X., Rifai Habbal, S., Kohl, J. L., & Noci, G. 1998, *ApJ*, 501, L133