



HAL
open science

Surface ondulée à ondes millimétriques pour la réduction du couplage mutuel entre antennes dipôles

Mohammadmahdi Farahani, Jamal Zaid, Javad Pourahmadazar, Tayeb Denidni,
Mourad Nedil

► **To cite this version:**

Mohammadmahdi Farahani, Jamal Zaid, Javad Pourahmadazar, Tayeb Denidni, Mourad Nedil. Surface ondulée à ondes millimétriques pour la réduction du couplage mutuel entre antennes dipôles. 2016 17th International Symposium on Antenna Technology and Applied Electromagnetics (ANTEM), Jul 2016, Montreal, Canada. pp.1-2, <10.1109/ANTEM.2016.7550158>. <hal-04116347>

HAL Id: hal-04116347

<https://hal.science/hal-04116347v1>

Submitted on 3 Jun 2023

HAL is a multi-disciplinary open access archive for the deposit and dissemination of scientific research documents, whether they are published or not. The documents may come from teaching and research institutions in France or abroad, or from public or private research centers.

L'archive ouverte pluridisciplinaire **HAL**, est destinée au dépôt et à la diffusion de documents scientifiques de niveau recherche, publiés ou non, émanant des établissements d'enseignement et de recherche français ou étrangers, des laboratoires publics ou privés.



HAL Authorization

**IN
RS**

**Institut national
de la recherche
scientifique**

**IN
RS**

**Institut national
de la recherche
scientifique**

Radio Frequency Laboratory (LRF)

Head of Lab:

Tayeb A. Denidni, Ph.D, IEEE Fellow
Scientific Head

Email: denidni@inrs.ca

Phone: [514-228-7017](tel:514-228-7017)

Titre : Surface ondulée à ondes millimétriques pour la réduction du couplage mutuel entre antennes dipôles

Auteurs : Mohammadmahdi Farahani ; Jamal Zaid ; J. Pourahmadazar ; Tayeb A. Denidni ; Mourad Nedil

Résumé : La réduction du couplage mutuel entre les antennes dipôles à ondes millimétriques en utilisant une surface ondulée est présentée. La surface ondulée présente une bande interdite dans la direction de propagation vers l'antenne adjacente. Le couplage mutuel est réduit de 4 à 20 dB lorsque la surface ondulée est placée entre les antennes. De plus, la surface ondulée proposée n'a pas d'impact significatif sur le diagramme de rayonnement de l'antenne.

Mots-clés : Diagramme de rayonnement des antennes, Direction de propagation, Antennes dipôles à ondes millimétriques, Réduction du couplage mutuel, Surface ondulée à ondes millimétriques

Millimeter-Wave Corrugated Surface for Mutual Coupling Reduction Between Dipole Antennas

Mohammadmahdi Farahani, Jamal Zaid,
J. Pourahmadazar, Tayeb A. Denidni

Energy, Material, and Telecommunications
Institute of National Research and Scientific (INRS)
Montreal, Canada
mohammadmahdi.farahani@emt.inrs.ca,
jamal.zaid@emt.inrs.ca, denidni@emt.inrs.ca

Mourad Nedil

Engineering School, LRTCS
University of Quebec in Abitibi-Temiscamingue
Quebec, Canada
mourad.nedil@uqat.ca

Abstract—The mutual coupling reduction between mm-wave dipole antennas using a corrugated surface is presented. The corrugated surface has a bandgap along the propagation direction toward the adjacent antenna. The mutual coupling is reduced between 4 to 20 dB when the corrugated surface is placed between the antennas. Moreover, the proposed corrugated surface does not have significant impact on the antenna radiation pattern.

Keywords—corrugated surface; mutual coupling; mm-wave Antenna; MIMO

I. INTRODUCTION

Reducing the mutual coupling between radiating element in an antenna array, which in most cases results in a degradation of the expected radiation features, has been investigated by several authors [1]–[5]. Mutual coupling has an impact on antenna array performance through changing the input impedance of the radiating elements, increasing the sidelobe level and degradation of the radiation pattern shape [1]. In MIMO systems [2], for maximizing the channel capacity and improving the signal-to-noise ratio, the maximum inter-element spacing in an array must be half of the wavelength. Moreover, in phased antenna arrays an optimum distance between elements is less than half of the wavelength in order to eliminate the harmonic of the main lobe (Grating Lobe) to contribute in the array factor. However, this condition yields strong mutual coupling.

There are several techniques to reduce mutual coupling, including confocal elliptical metasurface cloaks [3], parasitic element slots [4], cavity backed resonator [5], and electromagnetic band-gap (EBG) structures [1]. Because of fabrication limitation at mm-wave frequencies, these methods are not practical. Inter-element spacing in an mm-wave arrays are less than a few millimeters.

In this paper, a corrugated surface is proposed for reducing the mutual coupling. The proposed corrugated surface has a bandgap along the propagation direction toward the adjacent antenna. The proposed structure does not degrade the radiation pattern at mm-wave bands, but at lower frequency it has significant impact on the radiation pattern.

II. ANTENNA DESIGN AND CORRUGATED SURFACE STRUCTURE

The schematic diagram of used 1×2 dipole antenna array is shown in Fig. 1. Each antenna is fed by a microstrip line. The ground plane ended at the middle of L_2 -line to operate as a balun and drives the dipole ports with 180 degree out of phase. The dipole antenna is not grounded and radiates in both half spaces. The antenna distance is half of the free space wavelength.

The conventional corrugated surface and the proposed corrugated surface are shown in Fig. 2. The conventional corrugated surface operates like as soft surface along the X-direction [6], and the surface impedance can be obtained as

$$Z_x = \frac{E_x}{H_y} = j \left(\frac{W}{P} \right) \eta \tan k_g d \quad (1)$$

The surface impedance is infinite when $d = \lambda_g/4$, which corresponds to a surface made of parallel thin strip of PEC and PMC oriented in Y-direction (Fig. 2c). The usable bandwidth is within the range of $0 < k_g d < \pi$, although surface waves may exist when $d \neq \lambda_g/4$. In practice a usable relative bandwidth is up to 3%, although the best soft E-Plane performance is when $k_g d = \pi/2$.

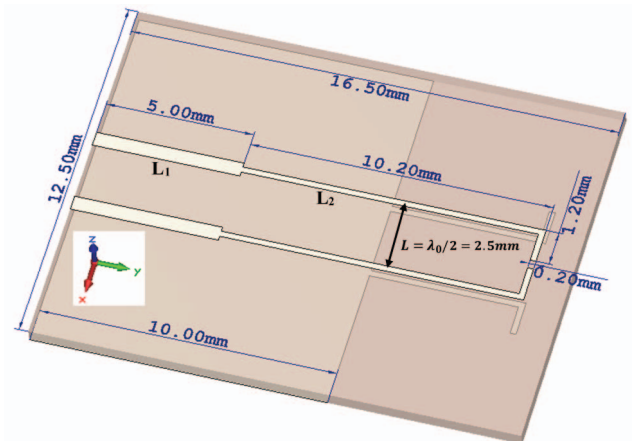


Fig. 1. Schematic diagram of 1×2 dipole antenna array.

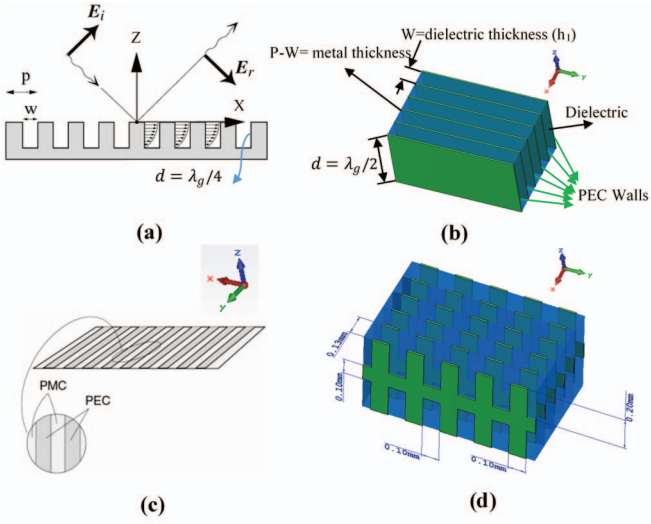


Fig. 2. Corrugated surfaces. (a) Conventional corrugated surface. (b) Proposed corrugated surface. (c) Equivalent model of corrugated surface. (d) Proposed dual-band corrugated surface.

The surface impedance of the proposed corrugated surface (Fig. 2b) can be obtained as

$$Z_X = \frac{E_X}{H_Y} = j \left(\frac{W}{P} \right) \eta \cot k_g d \quad (2)$$

The surface impedance is infinite when $d = \lambda_g/2$, which corresponds to a surface made of parallel thin strip of PEC and PMC oriented in Y-direction (Fig. 2c). As it has been said, this corrugated surface is very narrow band, in practice the usable relative bandwidth is up to 3%. To improve the bandwidth of the proposed corrugated surface, a dual-band corrugated surface (Fig. 2d) was designed to cover the frequency band of 57 GHz to 64 GHz (6% relative bandwidth).

The proposed corrugated surface is placed between the antenna elements and is shown in Fig. 3. This structure can be used only at mm-wave frequency bands. At microwave frequency bands, up to 20GHz, $d = \lambda_g/2$ is big and thus embedding this structure between the antennas has significant impact on radiation pattern and will load the input impedance of the individual antenna element through blocking the antenna radiation, and thus is not useful at these frequency bands. At

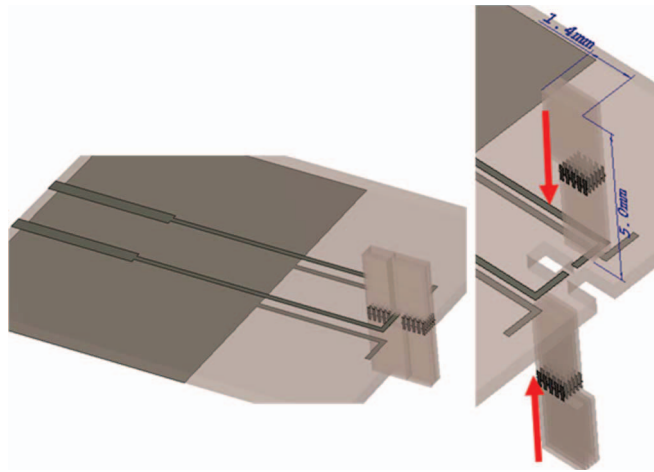


Fig. 3. Proposed 1x2 dipole antenna array with corrugated surface.

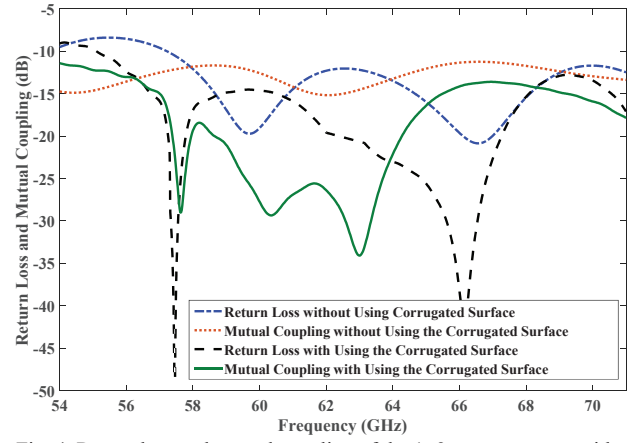


Fig. 4. Return loss and mutual coupling of the 1x2 antenna array, with and without the corrugated surface.

mm-wave frequency bands, $d = \lambda_g/2$ is in range of the host dielectric thickness and does not have significant impact on the radiation pattern and input impedance of the individual antenna elements.

The proposed antenna array with the corrugated surface and without the corrugated surface are simulated using HFSS. The scattering parameters of proposed antenna are shown in Fig. 4. The mutual coupling is reduced between 4 to 20 dB when the corrugated surface are placed between the antennas.

III. CONCLUSION

A new type of soft surface that can be used at mm-wave frequencies has been designed. The proposed soft surface has a bandgap along the propagation direction perpendicular to the coagulation. The corrugated surface has been used between two dipole antennas for reducing the mutual coupling. The proposed corrugated surface does not have significant impact on the radiation pattern and input impedance of the individual antenna elements.

REFERENCES

- [1] M.J. Al-Hasan, T.A. Denidni, A.R. Sebak, "Millimeter-Wave Compact EBG Structure for Mutual Coupling Reduction Applications," *IEEE Trans. Antennas Propag.*, vol.63, no.2, pp.823-828, Feb. 2015.
- [2] J. Wallace and M. Jensen, "Mutual coupling in MIMO wireless systems a rigorous network theory analysis," *IEEE Trans. Wireless Commun.*, vol. 3, no. 4, pp. 1317-1325, Jul. 2004.
- [3] H.M. Bernety, A.B. Yakovlev, "Reduction of Mutual Coupling Between Neighboring Strip Dipole Antennas Using Confocal Elliptical Metasurface Cloaks," *IEEE Trans. Antennas Propag.*, vol.63, no.4, pp.1554-1563, April 2015.
- [4] L. Minz and R. Garg, "Reduction of mutual coupling between closely spaced PIFAs," *Electron. Lett.*, vol. 46, no. 6, pp. 392-394, 2010.
- [5] Alvey, G.R.; Pan, H.K.; Bernhard, J.T., "Investigation into Techniques for Packaging Cosite Microstrip Patch Antennas into Handheld Devices," in *Antenna Technology Small Antennas and Novel Metamaterials, 2006 IEEE International Workshop on*, vol., no., pp.45-48, March 6-8, 2006.
- [6] P. S. Kildal, *Foundations of Antenna Engineering: A Unified Approach for Line-of-Sight and Multipath*, Kildal Antenn AB, 2015 (www.kildal.se).

Related Works:

1. J. Pourahmadazar, C. Ghobadi, J. Nourinia, N. Felegari and H. Shirzad, "Broadband CPW-Fed Circularly Polarized Square Slot Antenna With Inverted-L Strips for UWB Applications," in *IEEE Antennas and Wireless Propagation Letters*, vol. 10, pp. 369-372, 2011, doi: 10.1109/LAWP.2011.2147271.
2. M. Farahani, J. Pourahmadazar, M. Akbari, M. Nedil, A. R. Sebak and T. A. Denidni, "Mutual Coupling Reduction in Millimeter-Wave MIMO Antenna Array Using a Metamaterial Polarization-Rotator Wall," in *IEEE Antennas and Wireless Propagation Letters*, vol. 16, pp. 2324-2327, 2017, doi: 10.1109/LAWP.2017.2717404.
3. S. R. Emadian, C. Ghobadi, J. Nourinia, M. H. Mirmozafari and J. Pourahmadazar, "Bandwidth Enhancement of CPW-Fed Circle-Like Slot Antenna With Dual Band-Notched Characteristic," in *IEEE Antennas and Wireless Propagation Letters*, vol. 11, pp. 543-546, 2012, doi: 10.1109/LAWP.2012.2199274.
4. J. Pourahmadazar, C. Ghobadi and J. Nourinia, "Novel Modified Pythagorean Tree Fractal Monopole Antennas for UWB Applications," in *IEEE Antennas and Wireless Propagation Letters*, vol. 10, pp. 484-487, 2011, doi: 10.1109/LAWP.2011.2154354.
5. N. Felegari, J. Nourinia, C. Ghobadi and J. Pourahmadazar, "Broadband CPW-Fed Circularly Polarized Square Slot Antenna With Three Inverted-L-Shape Grounded Strips," in *IEEE Antennas and Wireless Propagation Letters*, vol. 10, pp. 274-277, 2011, doi: 10.1109/LAWP.2011.2135832.
6. V. Rafii, J. Nourinia, C. Ghobadi, J. Pourahmadazar and B. S. Virdee, "Broadband Circularly Polarized Slot Antenna Array Using Sequentially Rotated Technique for CC-Band Applications," in *IEEE Antennas and Wireless Propagation Letters*, vol. 12, pp. 128-131, 2013, doi: 10.1109/LAWP.2013.2237744.
7. J. Pourahmadazar, C. Ghobadi, J. Nourinia and H. Shirzad, "Multiband Ring Fractal Monopole Antenna for Mobile Devices," in *IEEE Antennas and Wireless Propagation Letters*, vol. 9, pp. 863-866, 2010, doi: 10.1109/LAWP.2010.2071372.
8. Pourahmadazar, J.; Mohammadi, S.: 'Compact circularly-polarised slot antenna for UWB applications', *Electronics Letters*, 2011, 47, (15), p. 837-838, DOI: 10.1049/el.2011.1430
9. Pourahmadazar, J.; Rafii, V.: 'Broadband circularly polarised slot antenna array for L- and S-band applications', *Electronics Letters*, 2012, 48, (10), p. 542-543, DOI: 10.1049/el.2012.0294
10. S. Mohammadi, J. Nourinia, C. Ghobadi, J. Pourahmadazar and M. Shokri, "Compact Broadband Circularly Polarized Slot Antenna Using Two Linked Elliptical Slots for C-Band Applications," in *IEEE Antennas and Wireless Propagation Letters*, vol. 12, pp. 1094-1097, 2013, doi: 10.1109/LAWP.2013.2280457.
11. Pourahmadazar, J., Denidni, T.A. Towards Millimeter-wavelength: Transmission-Mode Fresnel-Zone Plate Lens Antennas using Plastic Material Porosity Control in Homogeneous Medium. *Sci Rep* 8, 5300 (2018). doi: [10.1038/s41598-018-23179-8](https://doi.org/10.1038/s41598-018-23179-8)
12. H. Boudaghi, J. Pourahmadazar and S. A. Aghdam, "Compact UWB monopole antenna with reconfigurable band notches using PIN diode switches," *WAMICON 2013*, Orlando, FL, USA, 2013, pp. 1-4, doi: 10.1109/WAMICON.2013.6572744.
13. J. Pourahmadazar and T. A. Denidni, "Multi-beam tapered slot antenna array using substrate integrated waveguide Rotman lens," *2015 European Microwave Conference (EuMC)*, Paris, France, 2015, pp. 1447-1450, doi: 10.1109/EuMC.2015.7346046.

14. Rezaeieh, S.A., Şimşek, S. and Pourahmadazar, J. (2013), Design of a compact broadband circularly-polarized slot antenna for wireless applications. *Microw. Opt. Technol. Lett.*, 55: 413-418. <https://doi.org/10.1002/mop.27303>
15. J. Pourahmadazar, S. Sahebghalam, S. Abazari Aghdam and M. Nouri, "A Millimeter-Wave Fresnel Zone Plate Lens Design Using Perforated 3D Printing Material," 2018 IEEE MTT-S International Microwave Workshop Series on Advanced Materials and Processes for RF and THz Applications (IMWS-AMP), Ann Arbor, MI, USA, 2018, pp. 1-3, doi: 10.1109/IMWS-AMP.2018.8457170.
16. J. Pourahmadazar and T. Denidni, "X-band substrate integrated Rotman Lens with $\pm 24^\circ$ scanning capability," 2015 IEEE International Symposium on Antennas and Propagation & USNC/URSI National Radio Science Meeting, Vancouver, BC, Canada, 2015, pp. 232-233, doi: 10.1109/APS.2015.7304502.
17. B. Zarghooni, A. Dadgarpour, J. Pourahmadazar and T. A. Denidni, "Supershaped metamaterial unit-cells using the gielis formula," 2015 IEEE International Symposium on Antennas and Propagation & USNC/URSI National Radio Science Meeting, Vancouver, BC, Canada, 2015, pp. 458-459, doi: 10.1109/APS.2015.7304615.
18. Pourahmadazar, J, Denidni, TA. Millimeter-wave planar antenna on flexible polyethylene terephthalate substrate with water base silver nanoparticles conductive ink. *Microw Opt Technol Lett.* 2018; 60: 887– 891. <https://doi.org/10.1002/mop.31079>
19. J. Pourahmadazar and T. A. Denidni, "High Gain Substrate Integrated Waveguide Resonant Slot Antenna Array for mm-Wave Band Radio," 2015 IEEE International Conference on Ubiquitous Wireless Broadband (ICUWB), Montreal, QC, Canada, 2015, pp. 1-4, doi: 10.1109/ICUWB.2015.7324455.
20. J. Pourahmadazar, H. Shirzad, C. Ghobadi and J. Nourinia, "Using a MAM and genetic algorithm to optimize UWB microstrip monopole antenna with FEM and HFSS," 2010 5th International Symposium on Telecommunications, Tehran, Iran, 2010, pp. 115-119, doi: 10.1109/ISTEL.2010.5734009.
21. Rafii Vahid, Nourinia Javad, Javad Pourahmadazar, Jalili Faramarz. Circularly Polarized Circular Slot Antenna Array Using Sequentially Rotated Feed Network. *Journal of Communication Engineering*, 2012, 1 (1), pp.38-46. [ffhal-03914171f](https://doi.org/10.1002/mop.31079)
22. Pourahmadazar, J, Denidni, TA. 60 GHz antenna array for millimeter-wave wireless sensor devices using silver nanoparticles ink mounted on a flexible polymer substrate. *Microw Opt Technol Lett.* 2017; 59: 2830– 2835. <https://doi.org/10.1002/mop.30834>
23. M. Dashti Ardakani, J. Pourahmadazar and S. O. Tatu, "A monopole antenna with notch-frequency function for UWB application," 2017 XXXIInd General Assembly and Scientific Symposium of the International Union of Radio Science (URSI GASS), Montreal, QC, Canada, 2017, pp. 1-4, doi: 10.23919/URSIGASS.2017.8105323.
24. J. Pourahmadazar, M. Dashti Ardakani, S. O. Tatu and T. A. Denidni, "V-band dipole phased array antennas on extended hemispherical dielectric lenses," 2017 XXXIInd General Assembly and Scientific Symposium of the International Union of Radio Science (URSI GASS), Montreal, QC, Canada, 2017, pp. 1-4, doi: 10.23919/URSIGASS.2017.8105327.
25. Shirzad, H. ., Virdee, B. ., Ghobadi, C. ., Shokri, M. ., Sedghi, T. ., Asiaban, S. ., & Pourahmadazar, . J. . (2021). Bandwidth Enhancement of Compact Planar Microstrip Antenna. *The Applied Computational Electromagnetics Society Journal (ACES)*, 28(05), 441–445.
26. J. Pourahmadazar, R. Karimian and T. Denidni, "8–12-GHz beam-shaping/steering phased antenna array system using SIW fed nonplanar director Yagi-Uda antenna," 2016 IEEE International

- Symposium on Antennas and Propagation (APSURSI), Fajardo, PR, USA, 2016, pp. 1145-1146, doi: 10.1109/APS.2016.7696280.
27. J. Pourahmadazar and T. A. Denidni, "X-band substrate integrated waveguide Rotman Lens," 2015 USNC-URSI Radio Science Meeting (Joint with AP-S Symposium), Vancouver, BC, Canada, 2015, pp. 188-188, doi: 10.1109/USNC-URSI.2015.7303472.
 28. J. Pourahmadazar, M. Farahani and T. Denidni, "Printed Ridge Gap Waveguide Rotman Lens for Millimetre-wave Applications," 2018 18th International Symposium on Antenna Technology and Applied Electromagnetics (ANTEM), Waterloo, ON, Canada, 2018, pp. 1-2, doi: 10.1109/ANTEM.2018.8572972.
 29. J. Pourahmadazar, R. Karimian, M. Farahani and T. Denidni, "Planar microwave lens based beam-forming phased antenna array system using non-coplanar SIW fed bowtie antenna," 2016 17th International Symposium on Antenna Technology and Applied Electromagnetics (ANTEM), Montreal, QC, Canada, 2016, pp. 1-4, doi: 10.1109/ANTEM.2016.7550154.
 30. J. Pourahmadazar, R. Karimian and T. Denidni, "A steerable Yagi-Uda array antenna using a substrate integrated waveguide Rotman lens," 2016 USNC-URSI Radio Science Meeting, Fajardo, PR, USA, 2016, pp. 15-16, doi: 10.1109/USNC-URSI.2016.7588489.
 31. R. Karimian, J. Pourahmadazar, M. Nedil and T. A. Denidni, "On the design of low SAR CPW antenna with magneto dielectric AMC based ground plane," 2016 10th European Conference on Antennas and Propagation (EuCAP), Davos, Switzerland, 2016, pp. 1-5, doi: 10.1109/EuCAP.2016.7481411.
 32. Y. Yousefzadeh, J. Pourahmadazar and S. A. Aghdam, "Compact UWB microstrip BPF using meander line resonator," 2013 IEEE Antennas and Propagation Society International Symposium (APSURSI), Orlando, FL, USA, 2013, pp. 802-803, doi: 10.1109/APS.2013.6711060.
 33. R. Amiri, B. Zarghooni, A. Dadgarpour, J. Pourahmadazar and T. A. Denidni, "Reconfigurable metamaterial unit-cell with controllable refractive index," 2016 17th International Symposium on Antenna Technology and Applied Electromagnetics (ANTEM), Montreal, QC, Canada, 2016, pp. 1-2, doi: 10.1109/ANTEM.2016.7550155.
 34. M. Farahani, J. Zaid, J. Pourahmadazar, T. A. Denidni and M. Nedil, "Millimeter-wave corrugated surface for mutual coupling reduction between dipole antennas," 2016 17th International Symposium on Antenna Technology and Applied Electromagnetics (ANTEM), Montreal, QC, Canada, 2016, pp. 1-2, doi: 10.1109/ANTEM.2016.7550158.
 35. R. Amiri, B. Zarghooni, A. Dadgarpour, J. Pourahmadazar and T. A. Denidni, "Anisotropic metamaterial unit-cell for millimeter-wave applications," 2016 17th International Symposium on Antenna Technology and Applied Electromagnetics (ANTEM), Montreal, QC, Canada, 2016, pp. 1-2, doi: 10.1109/ANTEM.2016.7550179.
 36. J. Pourahmadazar, R. Karimian and T. A. Denidni, "A High Data-Rate Kiosk Application circularly polarized fractal antenna for mm-wave band radio with 0.18 μ m CMOS technology," 2016 10th European Conference on Antennas and Propagation (EuCAP), Davos, Switzerland, 2016, pp. 1-4, doi: 10.1109/EuCAP.2016.7481317.
 37. Jalili Faramarz, Javad Pourahmadazar, Rafii Vahid, Nourinia Javad, "Circularly Polarized Circular Slot Antenna Array Using Sequentially Rotated Feed Network". *Journal of Communication Engineering*, 2012, 1 (1), pp.38-46.
 38. J. Pourahmadazar and T. Denidni, "V-band Printed Ridge Gap Waveguide Phased Array Antenna with $\pm 40^\circ$ Scanning Angular Sector and ETSI Class II Radiation Pattern," 2018 18th International

- Symposium on Antenna Technology and Applied Electromagnetics (ANTEM), Waterloo, ON, Canada, 2018, pp. 1-2, doi: 10.1109/ANTEM.2018.8572992.
39. M. Farahani, J. Pourahmadazar, T. Denidni and M. Nedil, "Millimeter-Wave High-Gain Ridge Gap Beam Steerable Antenna for 5G wireless Networks," 2018 18th International Symposium on Antenna Technology and Applied Electromagnetics (ANTEM), Waterloo, ON, Canada, 2018, pp. 1-2, doi: 10.1109/ANTEM.2018.8572923.
 40. R. Karimian, J. Pourahmadazar, T. A. Denidni and M. Nedil, "Free space mutual coupling reduction between two SIW antennas at millimeter-wave frequency," 2016 IEEE International Symposium on Antennas and Propagation (APSURSI), Fajardo, PR, USA, 2016, pp. 2183-2184, doi: 10.1109/APS.2016.7696798.
 41. J. Pourahmadazar, R. Karimian, M. Farahani and T.A. Denidni, "10GHz Microwave Lens based Beam-forming Phased Antenna Array System Using SIW Fed Bow-tie antenna", *ANTEM*, 2016.
 42. R. Karimian, M. Dashti, J. Pourahmadazar, S. Ahmadi and M. Zaghoul, "Non-Reciprocal Phased Array antenna," 2021 XXXIVth General Assembly and Scientific Symposium of the International Union of Radio Science (URSI GASS), Rome, Italy, 2021, pp. 1-3, doi: 10.23919/URSIGASS51995.2021.9560450.
 43. M. D. Ardakani, R. Karimian, J. Pourahmadazar, S. Tatu, S. Ahmadi and M. Zaghoul, "Characterization of a Highly Efficient Waveguide Front-End Direct-Conversion Receiver for 60-GHz Wireless Systems," 2021 IEEE International Symposium on Antennas and Propagation and USNC-URSI Radio Science Meeting (APS/URSI), Singapore, Singapore, 2021, pp. 529-530, doi: 10.1109/APS/URSI47566.2021.9703708.
 44. J. Pourahmadazar, R. Karimian, M. D. Ardakani, S. Ahmadi and M. Zaghoul, "Alumide as a Nonmagnetic Fresnel Zone Lens at 30 GHz," 2021 XXXIVth General Assembly and Scientific Symposium of the International Union of Radio Science (URSI GASS), Rome, Italy, 2021, pp. 1-3, doi: 10.23919/URSIGASS51995.2021.9560347.
 45. M. D. Ardakani, R. Karimian, J. Pourahmadazar, S. Tatu, S. Ahmadi and M. Zaghoul, "Compact Parallel Coupled-Line Bandpass Filter Dedicated to S-Band Homodyne Front-End Radars," 2021 IEEE International Symposium on Antennas and Propagation and USNC-URSI Radio Science Meeting (APS/URSI), Singapore, Singapore, 2021, pp. 1391-1392, doi: 10.1109/APS/URSI47566.2021.9704419.
 46. Nader Felegari, Javad Pourahmadazar. A Novel Coaxial-fed Wide Band Circularly Polarised Patch Antenna for WLAN/ WiMax Applications. *International Journal of Natural and Engineering Sciences*, 2019, 5 (2), pp.11. fihal-03914172f
 47. Pourahmadazar, J., Denidni, T.A. Author Correction: Towards Millimeter-wavelength: Transmission-Mode Fresnel-Zone Plate Lens Antennas using Plastic Material Porosity Control in Homogeneous Medium. *Sci Rep* 8, 10293 (2018). <https://doi.org/10.1038/s41598-018-28407-9>
 48. J. Pourahmadazar and T. A. Denidni, "Extended hemispherical integrated lens antenna for F-band application," 2017 XXXIInd General Assembly and Scientific Symposium of the International Union of Radio Science (URSI GASS), Montreal, QC, Canada, 2017, pp. 1-2, doi: 10.23919/URSIGASS.2017.8105165.
 49. R. Amiri, B. Zarghooni, J. Pourahmadazar and T. A. Denidni, "The fabrication and test of paraffin-based dielectric lenses for metamaterial characterization using the free-space method for 10–18 GHz," 2017 11th European Conference on Antennas and Propagation (EuCAP), Paris, France, 2017, pp. 3235-3238, doi: 10.23919/EuCAP.2017.7928499.

50. J. Pourahmadazar, R. Karimian and M. D. Ardakani, "Towards E-band Wavelength: 3D Printed Gaussian Corrugated Horn for Cassegrain Antenna Application," 2022 United States National Committee of URSI National Radio Science Meeting (USNC-URSI NRSM), Boulder, CO, USA, 2022, pp. 86-87, doi: 10.23919/USNC-URSINRSM57467.2022.9881470.
51. Yousefzadeh, Y., Pourahmadazar, J. and Aghdam, S., 2013, January. 312.10: COMPACT UWB MICROSTRIP BPF USING MEANDER LINE RESONATOR. In *INTERNATIONAL SYMPOSIUM DIGEST ANTENNAS AND PROPAGATION* (Vol. 1, No. 2, pp. 802-802). IEEE.
52. Yasin Yousefzadeh, Javad Pourahmadazar. Compact Low Pass Filter using Inter-Digital Loaded Defected Rectangular Stub Resonators. *International journal of Microwave and Optical Technology*, 2012, 7 (1), pp.35-38. fihal-03914108f
53. Pourahmadazar, Javad (2018). *Nouvelles antennes millimétriques à lentille utilisant des structures périodiques poreuses en plastique*. Thèse. Québec, Université du Québec, Institut national de la recherche scientifique, Doctorat en télécommunications, 196 p.
54. Javad Pourahmadazar. NEW MILLIMETRIC LENS ANTENNAS USING PERIODIC POROUS PLASTIC STRUCTURES. Engineering Sciences [physics]. Université du Québec, Institut national de la recherche scientifique,, 2018. English. (NNT :). (tel-03911562)
55. Javad Pourahmadazar. Design and Fabrication of a Novel UWB Antenna with New Geometrical Structures (Fractal and Euclidean). Engineering Sciences [physics]. Urmia University, 2011. English.
56. Javad Pourahmadazar. Towards BLUETOOTH: TECHNOLOGY, APPLICATIONS, and ANTENNAS. Engineering Sciences [physics]. Urmia University, 2011. English.
57. Javad Pourahmadazar. Towards Fractal Antennas: A multiband Sierpinski Triangle (Gasket) Fractal Vivaldi Antenna. Institut National de la Recherche Scientifique [Québec]. 2023, pp.38. (hal-03974528)
58. R. Karimian, Javad Pourahmadazar, T. Denidni, Mourad Nedil. Réduction de couplage mutuel sans fil entre deux antennes SIW à fréquence millimétrique. 2016 IEEE International Symposium on Antennas and Propagation & USNC/URSI National Radio Science Meeting, Jun 2016, Fajardo, United States. pp.2183-2184, ff10.1109/APS.2016.7696798ff. fihal-04116343f
59. R. Karimian, Javad Pourahmadazar, T. Denidni, Mourad Nedil. Réduction de couplage mutuel sans fil entre deux antennes SIW à fréquence millimétrique. 2016 IEEE International Symposium on Antennas and Propagation & USNC/URSI National Radio Science Meeting, Jun 2016, Fajardo, United States. pp.2183-2184, ff10.1109/APS.2016.7696798ff. fihal-04116343f
60. Javad Pourahmadazar, Reza Karimian, Tayeb Denidni. Système de réseau d'antennes à commande de formation de faisceau/de direction à 8-12 GHz utilisant une antenne Yagi-Uda avec alimentation par guide d'ondes intégré à substrat. 2016 IEEE International Symposium on Antennas and Propagation & USNC/URSI National Radio Science Meeting, Jun 2016, Fajardo, United States. pp.1145-1146, ff10.1109/APS.2016.7696280ff. fihal-04116024
61. Javad Pourahmadazar, Reza Karimian, Tayeb Denidni. 8–12-GHz beam-shaping/steering phased antenna array system using SIW fed nonplanar director Yagi-Uda antenna. 2016 IEEE International Symposium on Antennas and Propagation & USNC/URSI National Radio Science Meeting, Jun 2016, Fajardo, United States. pp.1145-1146, ff10.1109/APS.2016.7696280ff. fihal-04116007f
- 62.