



HAL
open science

Impact of ΔB_0 field imperfections correction on BOLD sensitivity in 3D-SPARKLING fMRI data

Zaineb Amor, Caroline Le Ster, Chaithya Giliyar Radhakrishna, Guillaume Daval-Fr erot, Bertrand Thirion, Nicolas Boulant, Franck Mauconduit, Mirkes Christian, Philippe Ciuciu, Alexandre Vignaud

► To cite this version:

Zaineb Amor, Caroline Le Ster, Chaithya Giliyar Radhakrishna, Guillaume Daval-Fr erot, Bertrand Thirion, et al.. Impact of ΔB_0 field imperfections correction on BOLD sensitivity in 3D-SPARKLING fMRI data. ISMRM & ISMRT 2023 - Annual Meeting & Exhibition - Annual Meeting of the International Society for Magnetic Resonance in Medicine, International Society for Magnetic Resonance in Medicine, Jun 2023, Toronto, Canada. hal-04052904

HAL Id: hal-04052904

<https://hal.science/hal-04052904v1>

Submitted on 11 Apr 2023

HAL is a multi-disciplinary open access archive for the deposit and dissemination of scientific research documents, whether they are published or not. The documents may come from teaching and research institutions in France or abroad, or from public or private research centers.

L'archive ouverte pluridisciplinaire **HAL**, est destin ee au d ep ot et  a la diffusion de documents scientifiques de niveau recherche, publi es ou non,  emanant des  tablissements d'enseignement et de recherche fran ais ou  trangers, des laboratoires publics ou priv es.



Distributed under a Creative Commons Attribution 4.0 International License

Impact of ΔB_0 field imperfections correction on BOLD sensitivity in 3D-SPARKLING fMRI data

Amor Zaine¹, Le Ster Caroline¹, GR Chaithya^{1,2}, Daval-Fr erot Guillaume^{1,2,3}, Thirion Bertrand^{1,2}, Boulant Nicolas¹, Mauconduit Franck¹, Mirkes Christian⁴, Ciuciu Philippe^{1,2}, and Vignaud Alexandre¹

¹Universit  Paris-Saclay, CEA, NeuroSpin, CNRS, Gif-sur-Yvette, France

²Universit  Paris-Saclay, Inria, MIND, Palaiseau, France

³Siemens Healthineers SAS, Saint-Denis, France

⁴Skope Magnetic Resonance Technologies AG, Zurich, Switzerland

1 Synopsis

Static and dynamic ΔB_0 field imperfections are detrimental for fMRI applications as they degrade the temporal SNR (tSNR) and the sensitivity to the BOLD contrast. In this work we propose an experimental protocol for field imperfection monitoring and correction on 3D-SPARKLING fMRI data using the Skope Clip-on field camera in an alternative setting challenging its long TR constraint. We demonstrate the viability of our protocol and the reproducible gain in image quality, tSNR and retinotopic maps when correcting static and dynamic field imperfections on resting-state and task-based fMRI data for 3 healthy volunteers.

2 Summary of findings

The Skope Clip-on field camera can be used with a short TR if an external spoiling gradient is applied. Correcting field imperfections on 3D-SPARKLING fMRI data induces a highly significant improvement in image quality, tSNR and functional information.

3 Introduction

3D-SPARKLING is a novel non-Cartesian compressed sensing acquisition[1] recently assessed for high spatial resolution fMRI[2]. Similarly to its competitors, ΔB_0 imperfections affect 3D-SPARKLING data and cause BOLD sensitivity loss. Correcting field imperfections can be performed during image reconstruction given estimates of static inhomogeneities and their dynamic fluctuations[3].

27 A novel technology based on NMR probes [4, 5] that allows us to monitor field fluctuations
 28 concurrently to the imaging process has been gaining ground over the last years [6–8]. However, the
 29 minimal TR_{probe} required by this system is constrained by the T_1 relaxation time of the NMR-active
 30 product used and must be quite long to avoid residual magnetization between the consecutive shots.
 31 This is hardly achievable in a realistic 3D fMRI scenario where $TR_{probe} = TR_{shot}$.

32 In [8], the authors managed to use this system to acquire realistic 3D fMRI data with a short
 33 TR_{shot} and a long TR_{probe} : They assumed repeatable readouts between the shots, skipped monitor-
 34 ing some shots and interpolated the missing data. Such a strategy is impractical for 3D-SPARKLING
 35 applications given the random nature of the sampling pattern: In[9], we studied the benefit of cor-
 36 recting ΔB_0 imperfections on dynamic 3D-SPARKLING acquisitions without extending the study
 37 to realistic fMRI data because of the long TR_{probe} constraint.

38 In this work, we present an experimental protocol that allows us to use Skope’s Clip-on Camera
 39 with $TR_{probe} = TR_{shot} = 50\text{ms}$ and evaluate it for 1mm^3 3D-SPARKLING retinotopic mapping
 40 and rs-fMRI acquisitions.

41 4 Materials and methods

42 4.1 Experimental protocol and data acquisition

43 The study was conducted at 7T on three healthy volunteers (2M) who gave their informed con-
 44 sent. A 1Tx-32Rx head coil was used. Task-based and rs-fMRI data was collected using T_2^* w
 45 3D-SPARKLING acquisitions[2]. A concomitantly retinotopic mapping protocol with a rotating
 46 wedge was run during task-based fMRI data acquisition. The code of the stimulation can be found
 47 in ¹. Additional ΔB_0 and sensitivity maps were acquired using a 3D GRE sequence. Zero’th and
 48 first-order field fluctuations were monitored over all shots using the Skope Clip-on Camera (Skope
 49 Magnetic Resonance Technologies AG, Zurich, Switzerland) and a $TR_{probe} = TR_{shots} = 50\text{ms}$. The
 50 residual magnetization resulting from the use of such a short TR_{probe} was eradicated using the high-
 51 est spoiling gradient implementable within 3D-SPARKLING sequence(Fig. 1-(b)). The flip angle
 52 used to excite the probes yielded the highest signal.

53 4.2 Data reconstruction and post-processing

54 FMRI volumes were reconstructed using the calibrated multi-coil CS-based reconstruction method gued-
 55 dari2 from the `pysap-mri` plugin² of the `pySAP` package `sfarrens` and the following extended received
 56 signal model

$$S(t) = e^{-2i\pi\Delta B_{0,dyn}\times t} \int_{\mathbf{r}\in\text{FOV}} x(\mathbf{r})e^{-2i\pi\Delta B_{0,stat}(\mathbf{r})\times t} e^{-2i\pi(\mathbf{k}(t)+\delta\mathbf{k}(t))\cdot\mathbf{r}} d\mathbf{r}$$

¹https://github.com/hbp-brain-charting/public_protocols

²https://github.com/CEA_COSMIC/pysap-mri

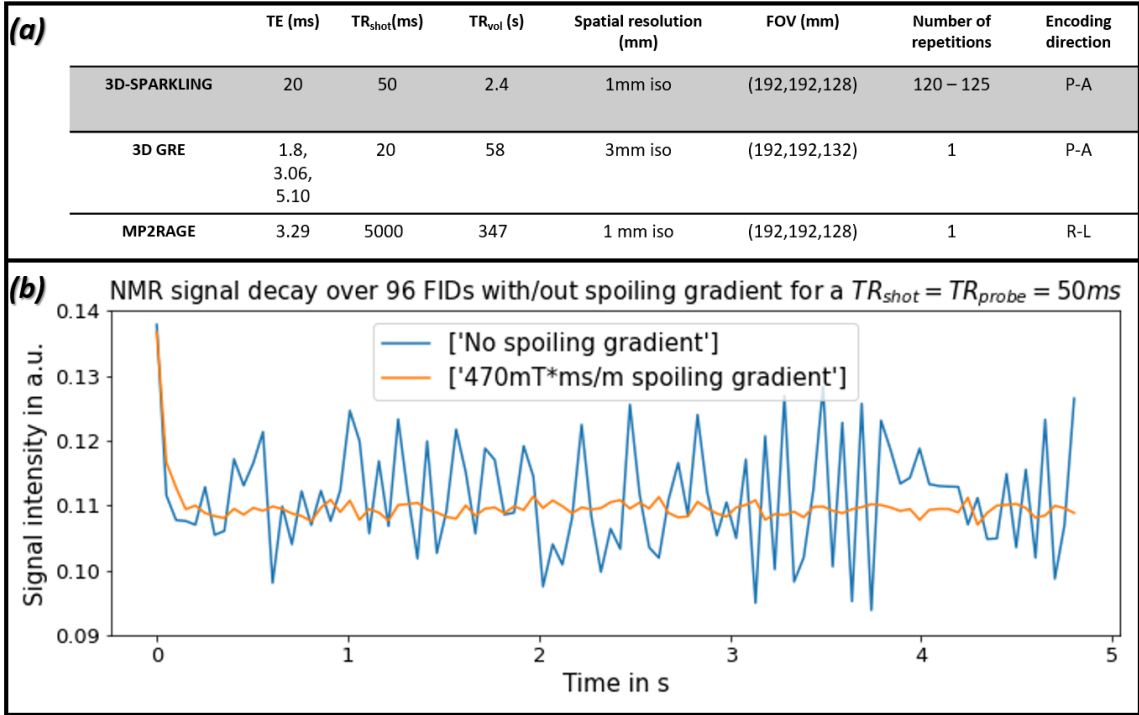


Figure 1: **(a)** Table summarizing the main sequences used for this experiment and their parameters: 3D-SPARKLING fMRI data was collected for a spatial resolution of 1mm^3 and a temporal resolution of 2.4s. A 3D gradient recalled echo (3D GRE) sequence with three echoes was used to acquire a ΔB_0 and external sensitivity maps. Raw data of the first echo from the GRE sequence was used to compute the sensitivity maps whereas the 3-echoe data was used to estimate the ΔB_0 map. A T_1w anatomical scan was acquired using an MP2RAGE sequence - **(b)** Example of the NMR signal decay from one probe of the Skope system over 96 FIDs with/out spoiling gradient for a $TR_{shots} = TR_{probe} = 50ms$.

57 with $x(\mathbf{r})$ the density source at the spatial position \mathbf{r} and $\mathbf{k}(t)$ the k-space position at time t .
 58 $\Delta B_{0,stat}(\mathbf{r})$ denotes the static off-resonance effect at \mathbf{r} . $\Delta B_{0,dyn}$ and $\delta\mathbf{k}(t)$ denote the zero-th and
 59 first-order terms of the dynamic field fluctuations, respectively. We suppose $\Delta B_{0,dyn}$ to be constant
 60 during a shot.

61 Motion correction and co-registration of the fMRI and the T_1w anatomical data was performed
 62 using SPM12³.

63 4.3 Statistical analysis

64 Resting-state data was used to compute the in vivo tSNR.

65 Retinotopic mapping data was analyzed using a subject-wise first-level GLM that included 2
 66 paradigm-related regressors denoted α_1 and α_2 , 6 motion regressors, a drift regressor, and the
 67 baseline. The global effect of interest and the BOLD phase maps were estimated as explained in
 68 Fig. 2.

³<https://www.fil.ion.ucl.ac.uk/spm/doc/biblio/>

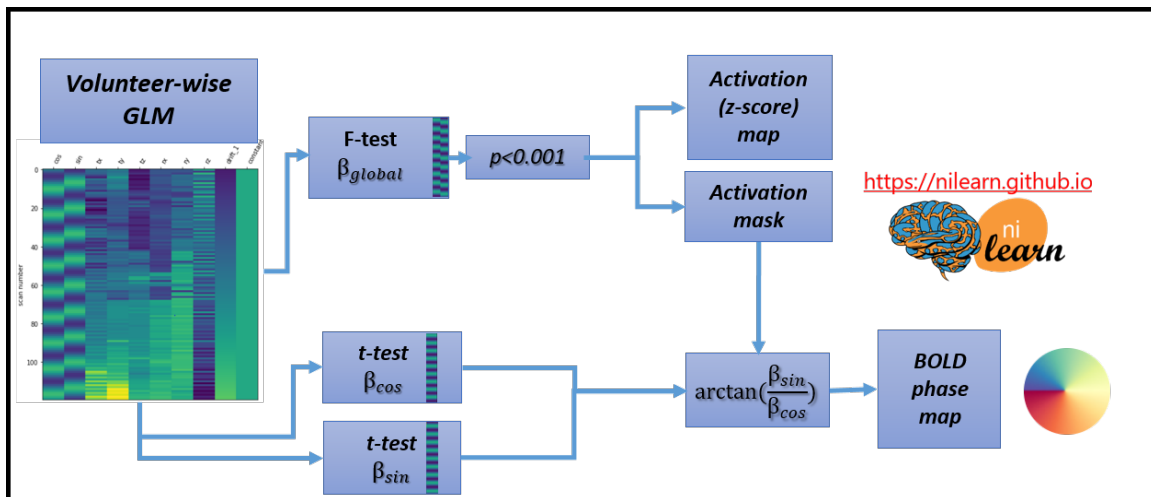


Figure 2: Statistical fMRI data analysis pipeline for retinotopic mapping: An F-test over the task regressors α_1 and α_2 was used to estimate the global effect of interest after thresholding the entire brain for $p < 0.001$ without correcting for multiple comparisons. The global effect of interest was thresholded at $p < 0.001$ to create activation masks. To estimate the BOLD phase, $\arctan(\frac{z_{\alpha_2}}{z_{\alpha_1}})$ was computed voxel-wise, z_{α_1} and z_{α_2} being the z-scores derived from a t-test over respectively α_1 and α_2 . The phase maps were considered only on the regions of interest defined by the activation masks mentioned earlier.

5 Results

69

70 Fig. 1-(b) proves that steady state at the level of the probes FID signal is achievable using a
 71 $TR_{probe} = 50\text{ms}$ and a $470\text{mT}^*\text{ms/m}$ spoiling gradient.

72 Fig. 3 demonstrates the gain in image quality on corrected rs-fMRI data.

73 Fig. 4-(a) and (b) illustrate the tSNR improvement: We observed up to 34% gain in median tSNR
 74 when correcting the static contribution and up to the first-order dynamic terms. A significant
 75 improvement is observed in the visual cortex. Fig. 4-(c) shows the power spectrum of the $\Delta B_{0,dyn}$
 76 term monitored during rs-fMRI for the 3 volunteers.

77 The tables in Fig. 5-(a) and (b) report a higher number of activated voxels as well as a higher
 78 significance (z-score max) on corrected task-based fMRI data.

79 Fig. 5-(c) shows improved and more significant activation maps when correcting field imperfections.
 80 Likewise, the BOLD phase maps in Fig. 5-(d) are more consistent with the color-gradient of the
 81 projection of the retina onto the visual cortex. This is mostly visible for $z=-40$: the transition from
 82 green to orange is more accurate when correcting field imperfections.

6 Discussion

83

84 Assuming that resting-state and task-based fMRI images are cleaned similarly when correcting ΔB_0
 85 imperfections, the gain in tSNR observed in Fig. 4-(a) and (b) translates into a higher sensitivity to
 86 BOLD effect as supported by Fig. 5-(a) and (b).

87 In Fig. 5-(c), we can observe the emergence of some activations in white matter when correcting

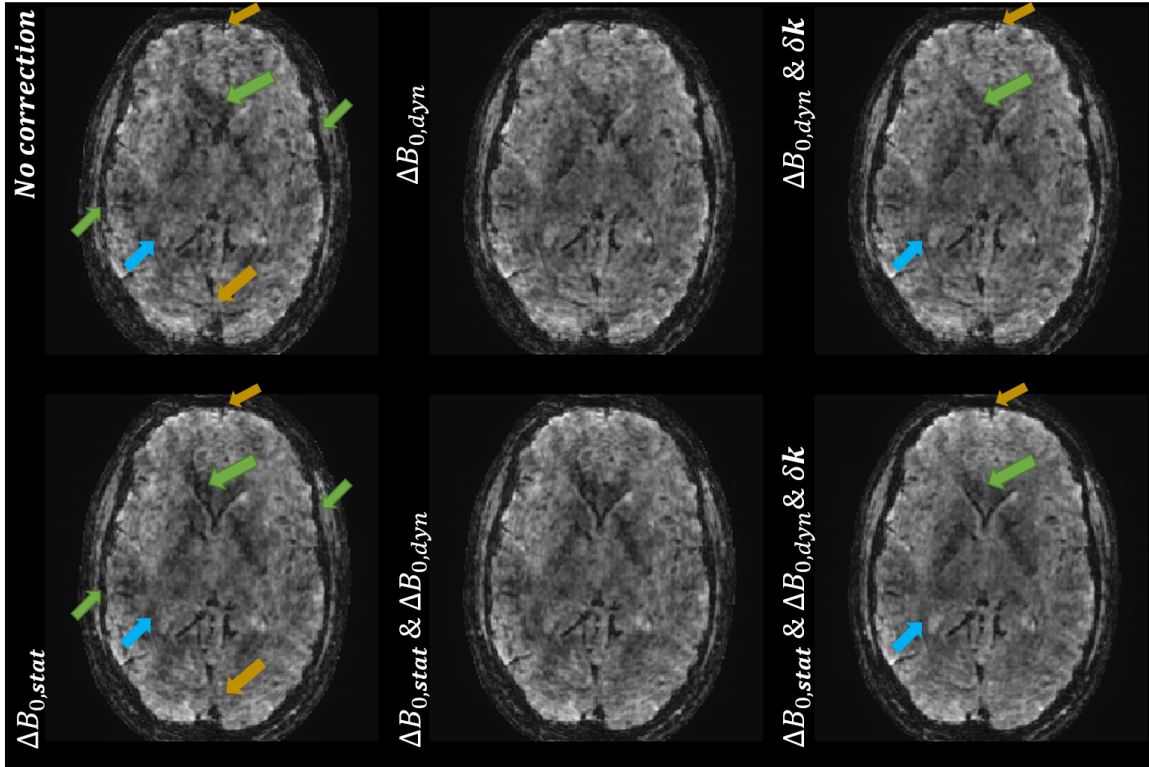


Figure 3: Comparison of the mean image of rs-fMRI time series for volunteer #1 with the correction of the different field terms. The overall contrast is enhanced when correcting the dynamic terms as shown by the blue arrow. Lost signal is better recovered when correcting both static and dynamic contributions as shown by the orange arrows. Anatomical details are better reconstructed as shown by the green arrows.

88 field imperfections ($z=-40$), yet, Fig. 5-(b) proves that the sensitivity to BOLD effect is significantly
 89 increased in gray matter and the better image quality of the corrected data observed in Fig. 3
 90 suggests an improved effective spatial resolution.

91 The BOLD phase maps are also of a higher quality after field imperfections correction.

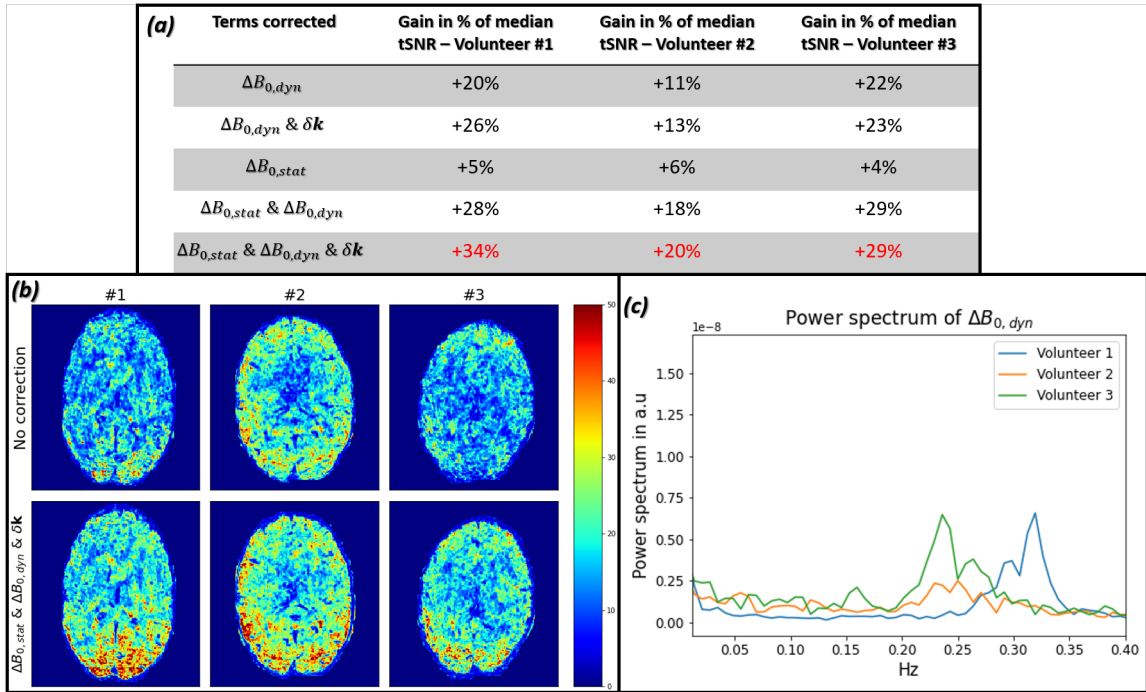


Figure 4: (a) Table summarizing the gain in % of median tSNR computed in comparison with the native tSNR (uncorrected data) for the three volunteers - (b) Temporal SNR maps extracted from rsfMRI respectively uncorrected and corrected data displayed for the 3 volunteers - (c) Power spectrum of the $\Delta B_{0,dyn}$ term monitored during rsfMRI for the 3 volunteers. Only the range [0.12Hz, 0.4Hz] is displayed. We can observe the fluctuations due to breathing around 0.25-0.3Hz: Volunteer#2 has less intense breathing. Thus, the relative gain in % of median tSNR for this volunteer is lower than for the other two.

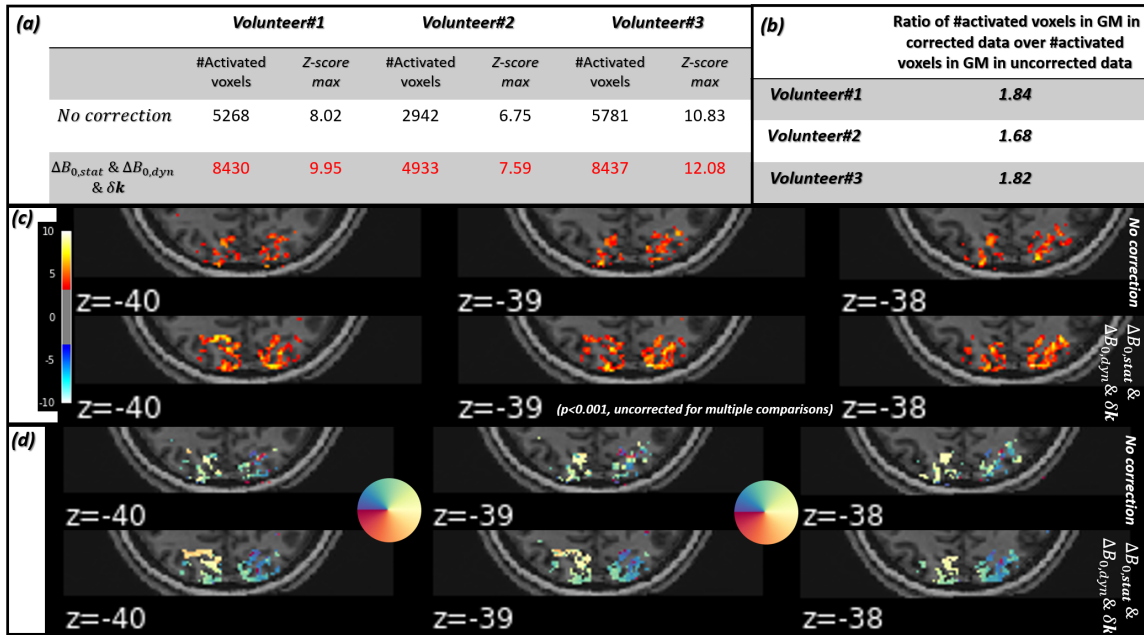


Figure 5: (a) Table summarizing the number of activated voxels and the maximum z-score values extracted from task-based fMRI data with/out correcting ΔB_0 imperfections. (b) Table showing the increase in the number of activated voxels in gray matter extracted from task-based fMRI data after ΔB_0 imperfections correction. (c) Activation maps extracted from the task-based uncorrected/corrected fMRI data collected from volunteer#1. (d) BOLD phase maps extracted from the task-based uncorrected/corrected fMRI data collected from volunteer#1.

7 Conclusion

The Skope Clip-on Camera can be used with a short TR_{probe} if an external spoiling gradient is applied. Furthermore, the highly significant benefit we demonstrated on 3D-SPARKLING fMRI image quality, tSNR and BOLD sensitivity proves that the expected SNR loss in the probes FID signal due to the shorter TR does not degrade the accuracy of the estimated field fluctuations.

References

- [1] C. G.R., P. Weiss, A. Massire, A. Vignaud, and P. Ciuciu, “Optimizing full 3D SPARKLING trajectories for high-resolution Magnetic Resonance imaging,” *IEEE Transactions on Medical Imaging*, vol. 41, no. 8, pp. 2105–2117, Aug. 2022. DOI: 10.1109/TMI.2022.3157269.
- [2] Z. Amor *et al.*, “Prospects of non-cartesian 3d-sparkling encoding for functional mri: A preliminary case: Study for retinotopic mapping,” *Proceedings of the 30th Scientific Meeting of the International Society for Magnetic Resonance in Medicine*, 2022.
- [3] M. Doneva, “Mathematical models for magnetic resonance imaging reconstruction,” *IEEE Signal Processing Magazine*, vol. 37, no. 1, pp. 24–32, 2020. DOI: 10.1109/MSP.2019.2936964.
- [4] N. De Zanche, C. Barmet, J. A. Nordmeyer-Massner, and, “Nmr probes for measuring magnetic fields and field dynamics in mr systems,” *Magnetic Resonance in Medecine*, vol. 60, no. 1, pp. 176–186, 2008. DOI: 10.1002/mrm.21624.
- [5] C. Barmet, N. De Zanche, and K. P. Pruessmann, “Spatiotemporal magnetic field monitoring for mr. magnetic resonance in medecine,” *Magnetic Resonance in Medecine*, vol. 60, no. 1, pp. 187–197, 2008. DOI: 10.1002/mrm.21603.
- [6] S. J. Vannesjo *et al.*, “Retrospective correction of physiological field fluctuations in high-field brain mri using concurrent field monitoring,” *Magnetic Resonance in Medecine*, vol. 73, no. 5, pp. 1833–1843, 2015. DOI: <https://doi.org/10.1002/mrm.25303>.
- [7] S. Bollmann *et al.*, “Analysis and correction of field fluctuations in fmri data using field monitoring,” *NeuroImage*, vol. 154, no. 1, pp. 92–105, 2017. DOI: 10.1016/j.neuroimage.2017.01.014.
- [8] J. M. Schwarz, R. Stirnberg, P. Ehses, and T. Stocker, “Correction of physiological field fluctuations in high- and low-resolution 3d-epi acquisitions at 7 tesla,” *Proceedings of the 27th Scientific Meeting of the International Society for Magnetic Resonance in Medicine*, 2019.
- [9] Z. Amor *et al.*, “B field distortions monitoring and correction for 3d non-cartesian fmri acquisitions using a field camera: Application to 3d-sparkling at 7t,” *Proceedings of the 30th Scientific Meeting of the International Society for Magnetic Resonance in Medicine*, 2022.