



HAL
open science

Application of the Wave Finite Element method to the computation of the response of a ballastless railway track, comparison with on-site measurements

Benjamin Claudet, Denis Duhamel, Gilles Foret, Tien Hoang, Jean-Luc Pochet, Francis Sabatier

► To cite this version:

Benjamin Claudet, Denis Duhamel, Gilles Foret, Tien Hoang, Jean-Luc Pochet, et al.. Application of the Wave Finite Element method to the computation of the response of a ballastless railway track, comparison with on-site measurements. Fifth International Conference on Railway Technology: Research, Development and Maintenance 2022, Aug 2022, Montpellier, France. hal-03992710

HAL Id: hal-03992710

<https://hal.science/hal-03992710v1>

Submitted on 16 Feb 2023

HAL is a multi-disciplinary open access archive for the deposit and dissemination of scientific research documents, whether they are published or not. The documents may come from teaching and research institutions in France or abroad, or from public or private research centers.

L'archive ouverte pluridisciplinaire **HAL**, est destinée au dépôt et à la diffusion de documents scientifiques de niveau recherche, publiés ou non, émanant des établissements d'enseignement et de recherche français ou étrangers, des laboratoires publics ou privés.

Application of the Wave Finite Element method to the computation of the response of a ballastless railway track, comparison with on-site measurements

Benjamin CLAUDET, Denis DUHAMEL, Gilles FORET,
Tien HOANG, Jean-Luc POCHET and Francis SABATIER

January 18th 2022

Abstract

Dynamics of railway tracks have been studied for a long time. Many authors proposed analytical or numerical models to compute the dynamic response of the tracks. Numerical models often use the track periodicity to reduce the size of the problem. Among these numerical methods, the Wave Finite Element (WFE) method was designed to compute the dynamics of periodic structures composed of identical patterns. It was successfully applied to simplified models of railway tracks subjected to different types of loads. In these studies, tracks are modeled by periodically supported beams. In order to give access to stresses and strains at a fine scale, a much finer representation is needed. This article presents a WFE computation of the dynamics of a ballastless railway track subjected to constant moving loads. In the presented computation the rail, the underlying slab and the support system are all represented in three dimensions. In order to validate this method, the obtained results are compared to experimental strain measurements.

1 Introduction

Dynamics of railway tracks have been studied for a long time. Several authors proposed analytical [1, 2, 3] models for this purpose. In these studies, the track is generally modelled as periodically supported beam. Other authors developed numerical methods which take advantage on the track periodicity [4, 5].

Among these methods, the Wave Finite Element (WFE) method have been widely used to compute the dynamics of periodic structures and waveguides [6, 7, 8]. This numerical method consists in reducing the dynamics of

each spatial period (called pattern) to wave equations at its boundaries. Then, the kinematic and mechanical fields of the whole structure can be found by computing the amplitude of the waves traveling in the structure main direction.

Hoang *et al.* [9, 10] successfully used the Wave Finite Element (WFE) method to compute the response of a homogeneous railway track subjected to a constant moving loads. Claudet *et al.* [11] developed a method based on the WFE method to compute the response of railway tracks transition zones. Both Hoang *et al.* and Claudet *et al.* modeled a railway track by a periodically supported beam and the supports with mass-springs-dampers systems connected to fixed points. These simplified models can give global results with very low computational time and strong agreements with analytical models. However, because of their simplicity, they can't give access to some values such as stresses or strains at a fine scale.

In this article, the WFE method is applied to the computation of the response of a ballastless railway track subjected to a constant moving load. In the computation made, a fine three-dimensions model is used to represent the track. This model includes the rail, the support system and the underlying slab. The results obtained with this method are validated by a comparison with experimental strain measurements.

After this introduction, the numerical WFE method will be presented. Then, the numerical results obtained will then be compared with the experimental measurements. The last section will present the conclusion of this work.

2 Methods

2.1 Wave Finite Element method

An infinite periodic structure composed of identical patterns is considered. The WFE method reduced the computation of the dynamics of the structure to a wave problem at one boundary of one of its patterns as follow.

For every pattern (n), in the frequency domain, the following equilibrium relationship can be written:

$$\tilde{\mathbf{D}}\mathbf{q}^{(n)} = \mathbf{F}^{(n)} \quad (1)$$

Where $\mathbf{q}^{(n)}$ contains the nodal displacements of the pattern (n), $\mathbf{F}^{(n)}$ its nodal forces and $\tilde{\mathbf{D}}$ its stiffness matrix.

Let's note with subscripts I, L, R the components respectively corresponding to the inner, left and right boundaries nodes. Eliminating the displacement of the inner node \mathbf{q}_I , the reduced equilibrium relationship is found:

$$\begin{bmatrix} \mathbf{D}_{LL} & \mathbf{D}_{LR} \\ \mathbf{D}_{RL} & \mathbf{D}_{RR} \end{bmatrix} \begin{bmatrix} \mathbf{q}_L \\ \mathbf{q}_R \end{bmatrix} = \begin{bmatrix} \mathbf{F}_L \\ \mathbf{F}_R \end{bmatrix} - \begin{bmatrix} \mathbf{D}_{LI}\mathbf{F}_I \\ \mathbf{D}_{RI}\mathbf{F}_I \end{bmatrix} \quad (2)$$

Where,

$$\begin{aligned} \mathbf{D}_{LL} &= \tilde{\mathbf{D}}_{LL} - \tilde{\mathbf{D}}_{LI}\tilde{\mathbf{D}}_{II}^{-1}\tilde{\mathbf{D}}_{IL} & \mathbf{D}_{LR} &= \tilde{\mathbf{D}}_{LR} - \tilde{\mathbf{D}}_{LI}\tilde{\mathbf{D}}_{II}^{-1}\tilde{\mathbf{D}}_{IR} \\ \mathbf{D}_{RL} &= \tilde{\mathbf{D}}_{RL} - \tilde{\mathbf{D}}_{RI}\tilde{\mathbf{D}}_{II}^{-1}\tilde{\mathbf{D}}_{IL} & \mathbf{D}_{RR} &= \tilde{\mathbf{D}}_{RR} - \tilde{\mathbf{D}}_{RI}\tilde{\mathbf{D}}_{II}^{-1}\tilde{\mathbf{D}}_{IR} \\ \mathbf{D}_{LI} &= \tilde{\mathbf{D}}_{LI}\tilde{\mathbf{D}}_{II}^{-1} & \mathbf{D}_{RI} &= \tilde{\mathbf{D}}_{RI}\tilde{\mathbf{D}}_{II}^{-1} \end{aligned}$$

Let $\mathbf{u}^{(n)}$, the vector containing the forces and displacements at the left boundary of the pattern (n) be defined as follows:

$$\mathbf{u}^{(n)} = \begin{bmatrix} \mathbf{q}_L^{(n)} \\ -\mathbf{F}_L^{(n)} \end{bmatrix} \quad (3)$$

Using the continuity of the structure at the pattern boundaries, Hoang *et al* proved the relationship:

$$\mathbf{u}^{(n+1)} = \mathbf{S}\mathbf{u}^{(n)} + \mathbf{b}^{(n)} \quad (4)$$

Where,

$$\begin{aligned} \mathbf{S} &= \begin{bmatrix} -\mathbf{D}_{LR}^{-1}\mathbf{D}_{LL} & -\mathbf{D}_{LR}^{-1} \\ \mathbf{D}_{RL} - \mathbf{D}_{RR}\mathbf{D}_{LR}^{-1}\mathbf{D}_{LL} & -\mathbf{D}_{RR}\mathbf{D}_{LR}^{-1} \end{bmatrix} \\ \begin{bmatrix} \mathbf{D}_{qI} \\ \mathbf{D}_{fI} \end{bmatrix} &= \begin{bmatrix} -\mathbf{D}_{LR}^{-1}\mathbf{D}_{LI} \\ \mathbf{D}_{RI} - \mathbf{D}_{RR}\mathbf{D}_{LR}^{-1}\mathbf{D}_{LI} \end{bmatrix} \\ \mathbf{b}^{(n)} &= \begin{bmatrix} \mathbf{D}_{qI}\mathbf{F}_I^{(n)} \\ \mathbf{D}_{fI}\mathbf{F}_I^{(n)} - \mathbf{F}_{\partial R}^{(n)} \end{bmatrix} \end{aligned}$$

As the vector $\mathbf{u}^{(n)}$ gives the state of the pattern (n), this equation reduces the propagation of the wave from one pattern to the next one. \mathbf{S} can be seen as a propagation matrix and $\mathbf{b}^{(n)}$ gives the effect of the loading applied on the pattern. Then, from the propagation relationship, the system of equations (5) is obtained. This system reduces the computation of the whole structure dynamics to the computation of $\mathbf{u}^{(0)}$.

$$\begin{cases} \mathbf{u}^{(n)} = \mathbf{S}^n \mathbf{u}^{(0)} + \sum_{k=1}^n \mathbf{S}^{n-k} \mathbf{b}^{(k-1)} \\ \mathbf{u}^{(-n)} = \mathbf{S}^{-n} \mathbf{u}^{(0)} - \sum_{k=1}^n \mathbf{S}^{-n+k-1} \mathbf{b}^{(-k)} \end{cases} \quad (5)$$

The eigenvalues and eigenvectors $\{\mu_j, \phi_j\}_j$ of \mathbf{S} are computed to compute the power of the \mathbf{S} . They follow:

$$\mathbf{S}\phi_j = \mu_j \phi_j \quad (6)$$

The computation of this eigenvalue problem is prone to numerical difficulties (see [12]). To overcome them, we use the $\mathbf{S} + \mathbf{S}^{-1}$ transformation proposed by Zhong and Williams [13].

The eigenvalues come in pair (μ_j, μ_j^*) with $\|\mu_j\| \leq 1$ and $\mu_j^* = \frac{1}{\mu_j}$ (see [13, 14]). The corresponding eigenvectors are noted (ϕ_j, ϕ_j^*) . We define the eigenbasis $\{\Phi, \Phi^*\}$ as: $\Phi = [\phi_1 \dots \phi_n]$ and $\Phi^* = [\phi_1^* \dots \phi_n^*]$. Φ corresponds to the modes propagating to the right and Φ^* to those propagating to the left.

By a condition of non-divergence at infinity, one can show:

$$\mathbf{u}^{(0)} = \Phi \sum_{k=1}^{+\infty} \mu^{k-1} \mathbf{Q}_E^{(-k)} + \Phi^* \sum_{k=0}^{+\infty} \mu^{k+1} \mathbf{Q}_E^{*(k)} \quad (7)$$

Hoang *et al* [15] give the formulas to compute the wave amplitudes $\mathbf{Q}_E^{(n)}, \mathbf{Q}_E^{*(n)}$. Computing $\mathbf{u}^{(0)}$ with the last equation gives the dynamics of the whole infinite structure.

3 Results

This section presents some results obtained with the WFE method for a ballastless railway track subjected to a constant moving load. The results are then compared to experimental strain measurements.

One pattern of the structure is modeled in three dimensions using the finite element software Abaqus. The geometry includes the rail, the underlying concrete slab and the support system which connects the rail to the slab. The geometry and mesh obtained are shown in Figure 1. The mesh and the mass, damping and stiffness matrices obtained are exported to Matlab where the WFE computation is conducted. At each frequency, the dynamic stiffness matrix is computed from the mass, damping and stiffness matrices. The structure is subjected to constant moving loads representing the load applied by eight wheels moving on the rail at a constant speed.

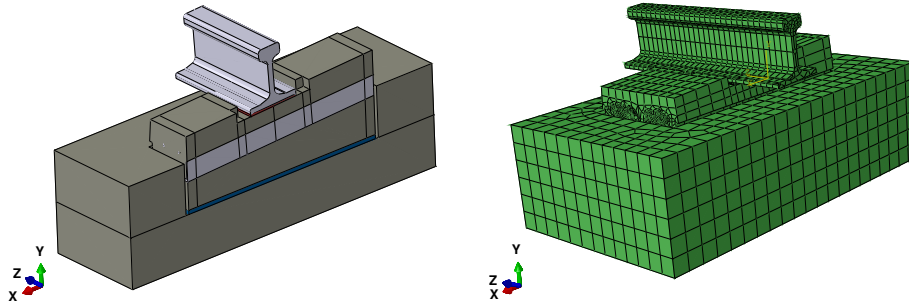


Figure 1: Cross-sectional view of the geometry and mesh of one pattern.

Table 1 gives the parameters used in this computation.

Parameter	Value
Steel Young modulus	210 GPa
Steel density	7.8 kg/dm ³
Under-sleeper pad Young modulus	2 MPa
Under-sleeper pad density	1 kg/dm ³
Under-rail pad Young modulus	20 MPa
Under-rail pad density	1 kg/dm ³
Concrete Young modulus	50 GPa
Concrete density	2.4 kg/dm ³
Support spacing	60 cm
Rail type	UIC60
Sleeper mass	60 kg
Load speed	38 km s ⁻¹
Element per pattern	16075
Computation maximum frequency	400 Hz
Computation frequency step	0.66 Hz

Table 1: Computation parameters.

The WFE computation gives the displacements of the nodes of all the patterns in the frequency domain. An inverse Fourier transform is performed to obtain temporal values. Because to Matlab graphical limitations, the three-dimensions results are plotted using Paraview. By a spatial derivation, Paraview is able to compute the strain in the structure. This strain is plotted in figure 2 at a given time.

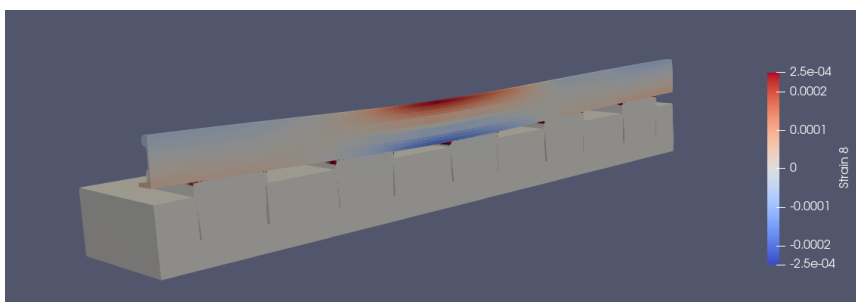


Figure 2: Cross-sectional view of the strain in the track

To validate these results, a strain gauge was glued on the rail. In the figure 3 the simulated strain is compared to the measured strain. Although the measured strain shows some experimental noise, a good agreement is found between experimental and numerical values.

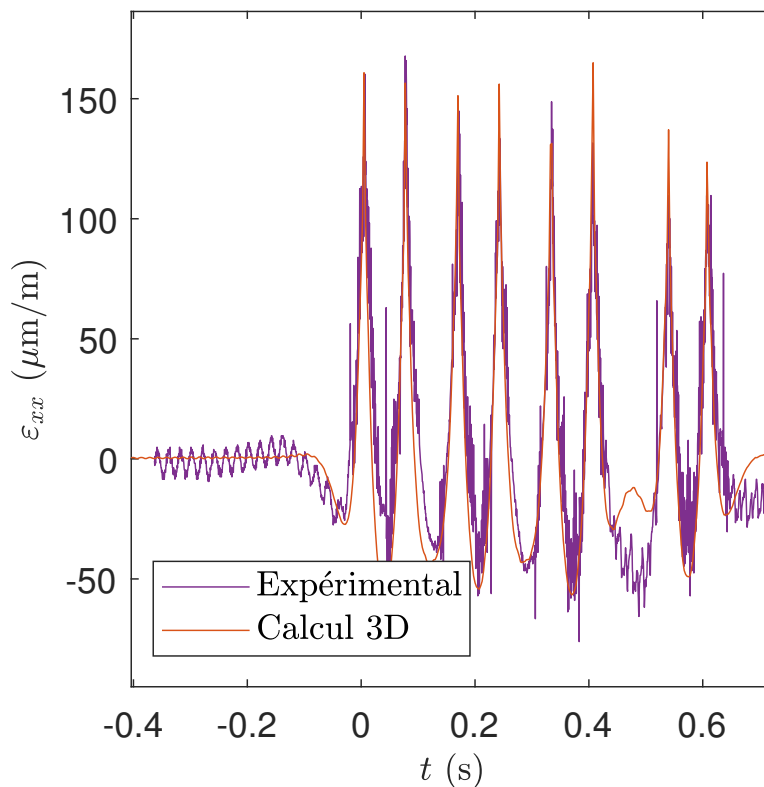


Figure 3: Cross-sectional view of the strain in the track.

4 Conclusion

Railway tracks under traffic can be modeled as infinite periodic structures subjected to moving loads. The Wave Finite Element method can be used to compute the dynamics of these structures. This method is based on a reduction of the problem of the computation of the periodic structure dynamic response to a wave problem at a boundary of one of the structure patterns. Intrinsicly including the infinite nature of the structure, this reduction can make affordable numerical computations of finely represented complex structures.

This method had already been applied successfully to the railway domain for simple one-dimension models of the track. In this article, a three-dimensions fine model was used to represent a ballastless railway track. In this model the rail, the support and the underlying slab are represented. The results obtained show a strong agreement with on-site measured strains.

References

- [1] A. Nordborg. Vertical Rail Vibrations: Pointforce Excitation. *ACUSTICA · acta acustica*, 84:280–288, 1998.
- [2] P.M. Belotserkovskiy. On The Oscillation of infinite periodic beams subjected to a moving concentrated force. *Journal of Sound and Vibration*, 193(3):705–712, jun 1996.
- [3] Maria A. Heckl. Coupled waves on a periodically supported Timoshenko beam. *Journal of Sound and Vibration*, 252(5):849–882, may 2002.
- [4] E. Arlaud, S. Costa D’aguilar, and E. Balmes. Receptance of railway tracks at low frequency: Numerical and experimental approaches. *Transportation Geotechnics*, 9:1–16, 2016.
- [5] E. Fortunato, A. Paixão, and R. Calçada. Railway Track Transition Zones: Design, Construction, Monitoring and Numerical Modelling. *International Journal of Railway Technology*, 2(4):33–58, 2013.
- [6] Elisabetta Manconi, Sergey Sorokin, Rinaldo Garziera, and Alf Sørensen. Wave motion and stop-bands in pipes with helical characteristics using wave finite element analysis. *Journal of Applied and Computational Mechanics*, 4(Specialissue):420–428, 2018.
- [7] Jie Hong, Xueqing He, Dayi Zhang, Bing Zhang, and Yanhong Ma. Vibration isolation design for periodically stiffened shells by the wave finite element method. *Journal of Sound and Vibration*, 419:90–102, 2018.
- [8] Q Serra, M N Ichchou, and J. F. Deü. Wave properties in poroelastic media using a Wave Finite Element Method. *Journal of Sound and Vibration*, 335:125–146, 2015.
- [9] T. Hoang, D. Duhamel, G. Foret, and Computing Methods. Wave finite element method for vibration of periodic structures subjected to external loads. In *6th European Conference on Computational Mechanics (ECCM 6)*, pages 11–15, June 2018.
- [10] T. Hoang, D. Duhamel, G. Foret, J.L. Pochet, and F. Sabatier. Wave finite element method for the dynamic analysis of railway tracks. In *13th World Congress on Computational Mechanics (WCCM XIII) 2nd Pan American Congress on Computational Mechanics (PANACM II)*, New York City, NY, USA, 2018.
- [11] B. Claudet, T. Hoang, D. Duhamel, G. Foret, J-L. Pochet, and F. Sabatier. Wave Finite Element Method for Computing the Dynamic Response of Railway Transition Zones. In *COMPADYN 2019, 7th*

ECCOMAS Thematic Conference on Computational Methods in Structural Dynamics and Earthquake Engineering, pages 1–10, Crete, Greece, 2019.

- [12] Y. Waki, B. R. Mace, and M. J. Brennan. Numerical issues concerning the wave and finite element method for free and forced vibrations of waveguides. *Journal of Sound and Vibration*, 327(1-2):92–108, oct 2009.
- [13] W.X. Zhong and F.W. Williams. On the direct solution of wave propagation for repetitive structures. *Journal of Sound and Vibration*, 181(3):485–501, mar 1995.
- [14] Denis Duhamel, Brian R. Mace, and Michael J. Brennan. Finite element analysis of the vibrations of waveguides and periodic structures. *Journal of Sound and Vibration*, 294(1-2):205–220, jun 2006.
- [15] Tien Hoang, Denis Duhamel, and Gilles Foret. Wave finite element method for waveguides and periodic structures subjected to arbitrary loads. *Finite Elements in Analysis and Design*, 179:103437, oct 2020.