



**HAL**  
open science

# Spectrum of the Dirichlet Laplacian in a thin cubic lattice

Lucas Chesnel, Sergei A. Nazarov

► **To cite this version:**

Lucas Chesnel, Sergei A. Nazarov. Spectrum of the Dirichlet Laplacian in a thin cubic lattice. ESAIM: Mathematical Modelling and Numerical Analysis, 2023, 57 (6), pp.3251-3273. 10.1051/m2an/2023082 . hal-04314942v2

**HAL Id: hal-04314942**

**<https://hal.science/hal-04314942v2>**

Submitted on 29 Nov 2023

**HAL** is a multi-disciplinary open access archive for the deposit and dissemination of scientific research documents, whether they are published or not. The documents may come from teaching and research institutions in France or abroad, or from public or private research centers.

L'archive ouverte pluridisciplinaire **HAL**, est destinée au dépôt et à la diffusion de documents scientifiques de niveau recherche, publiés ou non, émanant des établissements d'enseignement et de recherche français ou étrangers, des laboratoires publics ou privés.

## SPECTRUM OF THE DIRICHLET LAPLACIAN IN A THIN CUBIC LATTICE

LUCAS CHESNEL<sup>1,\*</sup>  AND SERGEI A. NAZAROV<sup>2</sup>

**Abstract.** We give a description of the lower part of the spectrum of the Dirichlet Laplacian in an unbounded 3D periodic lattice made of thin bars (of width  $\varepsilon \ll 1$ ) which have a square cross section. This spectrum coincides with the union of segments which all go to  $+\infty$  as  $\varepsilon$  tends to zero due to the Dirichlet boundary condition. We show that the first spectral segment is extremely tight, of length  $O(e^{-\delta/\varepsilon})$ ,  $\delta > 0$ , while the length of the next spectral segments is  $O(\varepsilon)$ . To establish these results, we need to study in detail the properties of the Dirichlet Laplacian  $A^\Omega$  in the geometry  $\Omega$  obtained by zooming at the junction regions of the initial periodic lattice. This problem has its own interest and playing with symmetries together with max–min arguments as well as a well-chosen Poincaré–Friedrichs inequality, we prove that  $A^\Omega$  has a unique eigenvalue in its discrete spectrum, which generates the first spectral segment. Additionally we show that there is no threshold resonance for  $A^\Omega$ , that is no non trivial bounded solution at the threshold frequency for  $A^\Omega$ . This implies that the correct 1D model of the lattice for the next spectral segments is a system of ordinary differential equations set on the limit graph with Dirichlet conditions at the vertices. We also present numerics to complement the analysis.

**Mathematics Subject Classification.** 35P20, 35J05, 35Q40, 47A75, 81Q37.

Received January 14, 2023. Accepted October 2, 2023.

### 1. INTRODUCTION

With the profusion of works related to graphene in physics, an important effort has been made in the mathematical community to understand the asymptotic behaviour of the spectrum of the Dirichlet operator in quantum waveguides made of thin ligaments, of characteristic width  $\varepsilon \ll 1$ , forming unbounded periodic lattices. Various geometries have been considered and we refer the reader to [15, 18, 23, 24] for review works. To address such problems, the general approach can be summarized as follows. Using the Floquet–Bloch–Gelfand theory [16, 25, 26, 50], one shows that the spectrum of the operator in the periodic domain has a band-gap structure, the bands being generated by the eigenvalues of a spectral problem set on the periodicity cell with quasi-periodic boundary conditions involving the Floquet–Bloch parameter. The first step consists in applying techniques of dimension reduction to derive a 1D model for this spectral problem on the periodicity cell. Then one studies precisely this 1D model depending on the Floquet–Bloch parameter to get information on the spectral bands.

Let us mention that in the past, slapdash and casual conclusions have been made concerning the 1D model problem. This model consists of ordinary differential equations on the ligaments obtained when taking  $\varepsilon \rightarrow 0$

---

*Keywords and phrases.* Quantum waveguide, thin periodic lattice, threshold resonance, trapped waves.

<sup>1</sup> Inria, Ensta Paris, Institut Polytechnique de Paris, 828 Boulevard des Maréchaux, 91762 Palaiseau, France.

<sup>2</sup> Institute of Problems of Mechanical Engineering RAS, V.O., Bolshoi pr., 61, St. Petersburg 199178, Russia.

\*Corresponding author: [lucas.chesnel@inria.fr](mailto:lucas.chesnel@inria.fr)

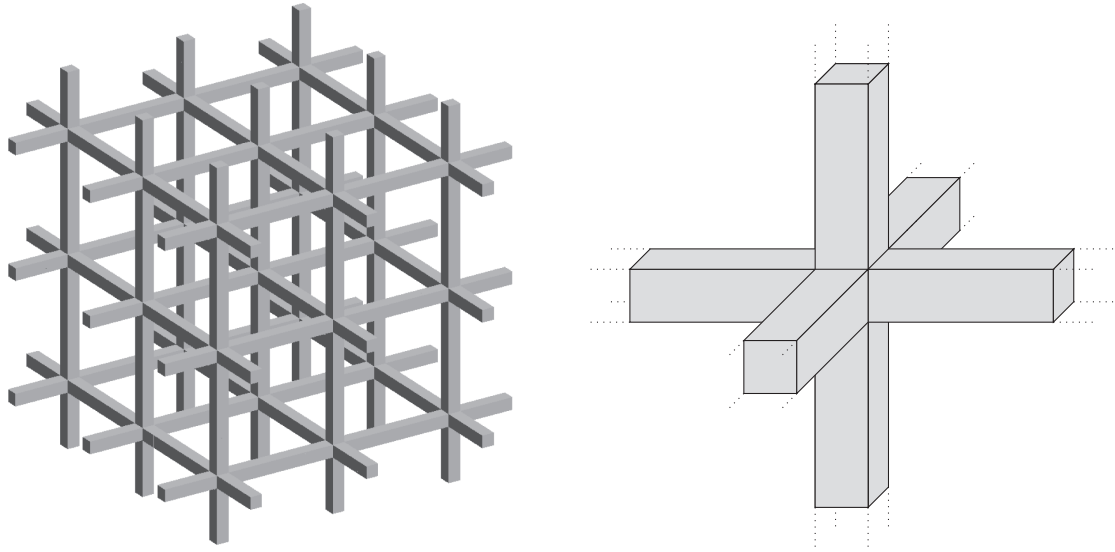


FIGURE 1. *Left:* unbounded periodic cubic lattice made of thin bars of width  $\varepsilon$  with square cross-sections. *Right:* geometry  $\Omega$  of the near field, aka boundary layer, problem at the junction regions.

supplemented by transmission conditions at the nodes of the graph. Certain authors have inappropriately applied Pauling's model [46] and imposed Kirchoff transmission conditions at the nodes. These Kirchoff conditions boil down to impose continuity of the field and zero outgoing flux (the sum of the derivatives of the field along the outgoing directions at the node vanishes). This is correct for the Laplacian with Neumann boundary conditions (BC) and has been rigorously justified in [17, 27, 47]. However it has been shown by Grieser [17] (see also [29, 30]) that for the Dirichlet problem, in general the right conditions to impose at the nodes are Dirichlet ones. More precisely, it has been proved in [17] that the transmission conditions to impose depend on the existence or absence of so-called threshold resonances for the near field operator defined as the Laplacian in the geometry obtained when zooming at the junction regions (named  $\Omega$  in the sequel, see Fig. 1 right). We say that there is a threshold resonance if there is a non zero bounded function which solves the homogeneous problem at the frequency coinciding with the bottom of the essential spectrum (the threshold) of the Laplace operator. For the Neumann problem, the threshold is  $\Lambda_{\dagger} = 0$  and there is a threshold resonance because the constants solve  $-\Delta u = 0$  in  $\Omega$  + Neumann BC. Due to this property, one must impose Kirchoff conditions at the nodes. For the Dirichlet problem, the essential spectrum starts at a positive threshold  $\Lambda_{\dagger} > 0$  and in general the only solution to the problem

$$\begin{cases} -\Delta u = \Lambda_{\dagger} u & \text{in } \Omega \\ u = 0 & \text{on } \partial\Omega \end{cases} \quad (1)$$

which remains bounded at infinity is zero, *i.e.* there is no threshold resonance. Because of this feature, one usually imposes Dirichlet condition at the nodes of the 1D model (see (44) for the precise moment where this pops up in the analysis below).

From there, some authors have worked to establish rigorous results showing the absence of non zero bounded solution to (1). First, different planar quantum waveguides made of T-, X- and Y-shaped junctions of thin ligaments have been considered *e.g.* in [33, 35, 36, 39, 43–45]. In these articles, additionally it has been proved that the near field operator in  $\Omega$ , depending on the considered geometry, may have discrete spectrum (one or several eigenvalues below the essential spectrum). When the latter exists, the low-frequency range of the spectrum in the periodic domain is not described by the above mentioned 1D model with Dirichlet conditions

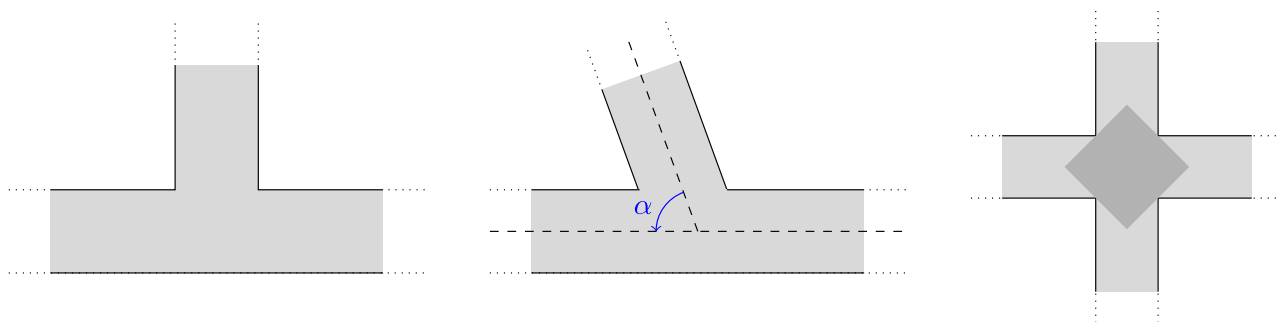


FIGURE 2. Examples of T- and X-shaped 2D geometries.

at the nodes. Instead, the first spectral bands, their number being equal to the multiplicity of the discrete spectrum, are generated by functions which are localized at the junction regions. Let us mention that for certain exceptional geometries, for example for a sequence of angles  $\alpha$  in the central domain of Figure 2<sup>1</sup>, one may have non zero solutions to (1) which remain bounded at infinity, *i.e.* existence of threshold resonance. In these situations, at least if the dimension of the space of bounded solutions to (1) is one, the good 1D model describing the spectral bands which are not associated with the discrete spectrum in  $\Omega$ , has certain Kirchoff transmission conditions at the nodes which depend on the geometry (see also [2, 13, 14]). We emphasize that this leads to very different spectra for the operator in the periodic medium. More precisely, when there is no threshold resonance, the bands of the spectrum in the periodic material become very small as  $\varepsilon \rightarrow 0$  and the spectral gaps enlarge. In other words, the spectrum becomes rather sparse, for most of the spectral parameters waves cannot propagate and the limit 1D ligaments are disconnected. This is what we will obtain below in our configuration. On the other hand, when Problem (1) admits a space of dimension one of bounded solutions, the spectral bands in the periodic material are much larger.

Afterwards, 3D geometries were considered in [6] (see also the corresponding note [5]). In these articles, the authors consider quantum waveguides for which the near field domain  $\Omega$  is a cruciform junction of two cylinders whose cross section coincides with the unit disc. The passage from the planar case to the spatial case requires certain non obvious adaptations of the methods. In particular the characterization of the discrete spectrum of the near field operator and the proof of absence of threshold resonances are much more involved. In the present work, we study an even more intricate 3D geometry for which the near field geometry is the union of three waveguides. Rather precise Poincaré–Friedrichs estimates are required to prove that the discrete spectrum of the near field operator contains exactly one eigenvalue and to show that at the threshold, zero is the only bounded solution. This work also complements the study of [6] thanks to the numerical experiments. Let us mention that the cruciform junction of two 3D cylinders with square cross section reduces to a 2D problem in a X-shaped geometry (see again Fig. 2 right) and due to factoring out, is of no interest.

The outline is as follows. First we describe the problem, introduce the notation and present the main results. Then we study the discrete spectrum of the near field operator. In Section 4, we demonstrate the absence of threshold resonance for the near field operator. Section 5 is dedicated to the analysis of the main theorem of the article (Thm. 2.4) with the derivation of asymptotic models for the spectral bands in the original periodic domain. Finally we show some numerics to complement the results and conclude with some appendix containing the proof of two lemmas needed in Sections 3 and 4.

<sup>1</sup>This also occurs in the X-shaped junction of Figure 2 right when rotating one of the two branches, see [12].

## 2. NOTATION AND MAIN RESULTS

For  $j = 1, 2, 3$ , introduce the cylinder with square cross section

$$L_j := \{x := (x_1, x_2, x_3) \in \mathbb{R}^3 \mid |x_k| < 1/2 \text{ for } k \in \{1, 2, 3\} \setminus \{j\}\} \tag{2}$$

and for  $\varepsilon > 0$  small,  $m, n \in \mathbb{Z} := \{0, \pm 1, \pm 2, \dots\}$ , set

$$\begin{aligned} L_1^{mn\varepsilon} &:= \{x \in \mathbb{R}^3 \mid |x_2 - m| < \varepsilon/2, |x_3 - n| < \varepsilon/2\} \\ L_2^{mn\varepsilon} &:= \{x \in \mathbb{R}^3 \mid |x_1 - m| < \varepsilon/2, |x_3 - n| < \varepsilon/2\} \\ L_3^{mn\varepsilon} &:= \{x \in \mathbb{R}^3 \mid |x_1 - m| < \varepsilon/2, |x_2 - n| < \varepsilon/2\}. \end{aligned}$$

Finally define the unbounded periodic domain

$$\Pi^\varepsilon := \bigcup_{m,n \in \mathbb{Z}} L_1^{mn\varepsilon} \cup L_2^{mn\varepsilon} \cup L_3^{mn\varepsilon}$$

(see Fig. 1 left). Consider the Dirichlet spectral problem for the Laplace operator

$$\begin{cases} -\Delta u^\varepsilon = \lambda^\varepsilon u^\varepsilon & \text{in } \Pi^\varepsilon \\ u^\varepsilon = 0 & \text{on } \partial\Pi^\varepsilon. \end{cases} \tag{3}$$

The variational form associated with this problem writes

$$\int_{\Pi^\varepsilon} \nabla u^\varepsilon \cdot \nabla v^\varepsilon \, dx = \lambda^\varepsilon \int_{\Pi^\varepsilon} u^\varepsilon v^\varepsilon \, dx, \quad \forall v^\varepsilon \in H_0^1(\Pi^\varepsilon). \tag{4}$$

Here  $H_0^1(\Pi^\varepsilon)$  stands for the Sobolev space of functions of  $H^1(\Pi^\varepsilon)$  which vanish on the boundary  $\partial\Pi^\varepsilon$ . Classically (see *e.g.* [10], Sect. 10.1), the variational problem (4) gives rise to an unbounded, positive definite, selfadjoint operator  $A^\varepsilon$  in the Hilbert space  $L^2(\Pi^\varepsilon)$ , with domain  $\mathcal{D}(A^\varepsilon) \subset H_0^1(\Pi^\varepsilon)$ . Note that this operator is sometimes called the quantum graph Laplacian [9, 47]. The fact that  $\partial\Pi^\varepsilon$  is not smooth implies that  $\mathcal{D}(A^\varepsilon)$  is a larger space than  $H^2(\Pi^\varepsilon)$ . Singular decompositions for the elements in  $\mathcal{D}(A^\varepsilon)$  involve both edge and polyhedron singularities. The first ones can be obtained explicitly while the second have to be estimated (cf. [22]). However we will not need them in our work. Since  $\Pi^\varepsilon$  is unbounded, the embedding  $H_0^1(\Pi^\varepsilon) \subset L^2(\Pi^\varepsilon)$  is not compact and  $A^\varepsilon$  has a non empty essential component  $\sigma_e(A^\varepsilon)$  ([10], Thm. 10.1.5). Actually, due to the periodicity, we have  $\sigma_e(A^\varepsilon) = \sigma(A^\varepsilon)$ . The Gelfand transform (see the surveys [25, 32] and books [26, 50])

$$u^\varepsilon(x) \mapsto U^\varepsilon(x, \eta) = \frac{1}{(2\pi)^{3/2}} \sum_{\iota \in \mathbb{Z}^3} e^{i\eta \cdot \iota} u^\varepsilon(x + \iota), \quad \eta = (\eta_1, \eta_2, \eta_3),$$

changes Problem (3) into a spectral problem set in the periodicity cell

$$\omega^\varepsilon := \omega_1^\varepsilon \cup \omega_2^\varepsilon \cup \omega_3^\varepsilon \quad \text{with} \quad \begin{cases} \omega_1^\varepsilon := (-1/2; 1/2) \times (-\varepsilon/2; \varepsilon/2)^2 \\ \omega_2^\varepsilon := (-\varepsilon/2; \varepsilon/2) \times (-1/2; 1/2) \times (-\varepsilon/2; \varepsilon/2) \\ \omega_3^\varepsilon := (-\varepsilon/2; \varepsilon/2)^2 \times (-1/2; 1/2). \end{cases}$$

This problem, which involves quasi-periodic boundary conditions at the faces located at  $x_1 = \pm 1/2, x_2 = \pm 1/2, x_3 = \pm 1/2$ , writes

$$\begin{cases}
 -\Delta U^\varepsilon(x, \eta) = \Lambda^\varepsilon U^\varepsilon(x, \eta) & x \in \omega^\varepsilon \\
 U^\varepsilon(x, \eta) = 0 & x \in \partial\omega^\varepsilon \cap \partial\Pi^\varepsilon \\
 U^\varepsilon(-1/2, x_2, x_3, \eta) = e^{i\eta_1} U^\varepsilon(+1/2, x_2, x_3, \eta) & (x_2, x_3) \in (-\varepsilon/2; \varepsilon/2)^2 \\
 \partial_{x_1} U^\varepsilon(-1/2, x_2, x_3, \eta) = e^{i\eta_1} \partial_{x_1} U^\varepsilon(+1/2, x_2, x_3, \eta) & (x_2, x_3) \in (-\varepsilon/2; \varepsilon/2)^2 \\
 U^\varepsilon(x_1, -1/2, x_3, \eta) = e^{i\eta_2} U^\varepsilon(x_1, +1/2, x_3, \eta) & (x_1, x_3) \in (-\varepsilon/2; \varepsilon/2)^2 \\
 \partial_{x_2} U^\varepsilon(x_1, -1/2, x_3, \eta) = e^{i\eta_2} \partial_{x_2} U^\varepsilon(x_1, +1/2, x_3, \eta) & (x_1, x_3) \in (-\varepsilon/2; \varepsilon/2)^2 \\
 U^\varepsilon(x_1, x_2, -1/2, \eta) = e^{i\eta_3} U^\varepsilon(x_1, x_2, +1/2, \eta) & (x_1, x_2) \in (-\varepsilon/2; \varepsilon/2)^2 \\
 \partial_{x_3} U^\varepsilon(x_1, x_2, -1/2, \eta) = e^{i\eta_3} \partial_{x_3} U^\varepsilon(x_1, x_2, +1/2, \eta) & (x_1, x_2) \in (-\varepsilon/2; \varepsilon/2)^2.
 \end{cases} \tag{5}$$

One can show that (5) is formally selfadjoint for any value of the dual variable  $\eta \in \mathbb{R}^3$  of the Gelfand transform. Additionally it is  $2\pi$ -periodic with respect to each of the  $\eta_j$  because the transformation  $\eta_j \mapsto \eta_j + 2\pi$  leaves invariant the quasiperiodicity conditions. For any  $\eta \in [0; 2\pi]^3$ , the spectrum of (5) is discrete, made of a non-decreasing positive sequence of eigenvalues

$$0 < \Lambda_1^\varepsilon(\eta) \leq \Lambda_2^\varepsilon(\eta) \leq \dots \leq \Lambda_p^\varepsilon(\eta) \leq \dots$$

where the  $\Lambda_p^\varepsilon(\eta)$  are counted according to their multiplicity. The functions

$$\eta \mapsto \Lambda_p^\varepsilon(\eta)$$

are continuous ([20], Chap. 9) so that the sets

$$\Upsilon_p^\varepsilon = \{\Lambda_p^\varepsilon(\eta), \eta \in [0; 2\pi]^3\} \tag{6}$$

are connected compact segments. Finally, according to the theory (see again [16, 25, 26, 32, 50]), the spectrum of the operator  $A^\varepsilon$  has the form

$$\sigma(A^\varepsilon) = \bigcup_{p \in \mathbb{N}^*} \Upsilon_p^\varepsilon$$

where  $\mathbb{N}^* := \{1, 2, \dots\}$ . At this stage, we see that to clarify the behaviour of the spectrum of  $A^\varepsilon$  with respect to  $\varepsilon \rightarrow 0^+$ , we need to study the dependence of the  $\Upsilon_p^\varepsilon$  with respect to  $\varepsilon$ .

As already mentioned in the introduction, the analysis developed for example in [17, 31, 36] shows that the asymptotic behaviour of the  $\Upsilon_p^\varepsilon$  with respect to  $\varepsilon$  depends on the features of the Dirichlet Laplacian in the geometry obtained when zooming at the junction region of the periodicity cell  $\omega^\varepsilon$ . More precisely, introduce the unbounded domain

$$\Omega := L_1 \cup L_2 \cup L_3 \tag{7}$$

(see Fig. 1 right) where the  $L_j$  are the cylinders with unit square cross section appearing in (2). In  $\Omega$ , consider the Dirichlet spectral problem for the Laplace operator

$$\begin{cases}
 -\Delta v = \mu v & \text{in } \Omega \\
 v = 0 & \text{on } \partial\Omega
 \end{cases} \tag{8}$$

which is now independent of  $\varepsilon$ . We denote by  $A^\Omega$  the unbounded, positive definite, selfadjoint operator naturally associated with this problem defined in  $L^2(\Omega)$  and of domain  $\mathcal{D}(A^\Omega) \subset H_0^1(\Omega)$ . Its essential spectrum  $\sigma_e(A^\Omega)$  occupies the ray  $[2\pi^2; +\infty)$  and the threshold point  $\Lambda_\dagger := 2\pi^2$  is the first eigenvalue of the Dirichlet Laplacian in the cross sections of the branches of  $\Omega$  (which are unit squares). The main goal of this article is to show the following results.

**Theorem 2.1.** *The discrete spectrum of the operator  $A^\Omega$  contains exactly one eigenvalue  $\mu_1 \in (0; 2\pi^2)$ .*

**Remark 2.2.** Numerically, in Section 6, we find  $\mu_1 \approx 12.9 \approx 1.3\pi^2$ . Note that the eigenfunctions associated with  $\mu_1$  decay at infinity as  $O(e^{-\sqrt{2\pi^2 - \mu_1}|x_j|})$  in  $L_j$ ,  $j = 1, 2, 3$ .

As classical in literature, we shall say that there is a threshold resonance for Problem (8) if there is a non trivial function which solves (8) with the threshold value  $\mu = 2\pi^2$  of the spectral parameter.

**Theorem 2.3.** *There is no threshold resonance for Problem (8).*

From Theorems 2.1 and 2.3, we will derive the final result for the spectrum of  $A^\varepsilon$  in the initial unbounded periodic lattice.

**Theorem 2.4.** *For  $k \in \mathbb{N}^*$ , let  $\Upsilon_k^\varepsilon = [a_{k-}^\varepsilon; a_{k+}^\varepsilon]$ , with  $a_{k-}^\varepsilon \leq a_{k+}^\varepsilon$ , be the spectral band in (6). There are some (real) constants  $c_1 > 0$ ,  $c_- < c_+$ ,  $C_k > 0$ ,  $\delta > 0$  and  $\varepsilon_k > 0$  such that we have*  
*Case  $k = 1$ :*

$$\left| a_{1\pm}^\varepsilon - \left( \varepsilon^{-2} \mu_1 \pm \varepsilon^{-2} e^{-\sqrt{2\pi^2 - \mu_1}/\varepsilon} c_1 \right) \right| \leq C_1 e^{-(1+\delta)\sqrt{2\pi^2 - \mu_1}/\varepsilon}, \quad \forall \varepsilon \in (0; \varepsilon_1];$$

*Case  $k = q + 3p$  with  $p \in \mathbb{N}$ ,  $q \in \{2, 3, 4\}$ :*

$$\left| a_{k\pm}^\varepsilon - \left( \varepsilon^{-2} 2\pi^2 + (p+1)^2 \pi^2 + \varepsilon(p+1)^2 c_\pm \right) \right| \leq C_k \varepsilon^{1+\delta}, \quad \forall \varepsilon \in (0; \varepsilon_k].$$

Here  $\mu_1$  appears in Theorem 2.1 and  $c_\pm$ ,  $\delta$  are independent of  $k$ .

Let us comment this statement. First, as already mentioned in the introduction, the spectrum of the operator  $A^\varepsilon$  goes to  $+\infty$  as  $\varepsilon \rightarrow 0$ . Additionally this spectrum becomes very sparse. Indeed Theorem 2.4 implies the following results. The length of the spectral bands (wave passing zones) are infinitesimal as  $\varepsilon \rightarrow 0$ . More precisely, asymptotically  $\Upsilon_1^\varepsilon$  becomes of length  $2\varepsilon^{-2} e^{-\sqrt{2\pi^2 - \mu_1}/\varepsilon} c_1$  while  $\Upsilon_{q+3p}^\varepsilon$ ,  $p \in \mathbb{N}$ ,  $q \in \{2, 3, 4\}$ , becomes of length  $\varepsilon(p+1)^2 |c_+ - c_-|$ . Moreover, between the bands  $\Upsilon_1^\varepsilon$  and  $\Upsilon_2^\varepsilon$ , there is a gap (wave stopping zone), that is a segment of spectral parameters  $\lambda^\varepsilon$  such that waves cannot propagate, of size  $O(\varepsilon^{-2}(2\pi^2 - \mu_1))$  while between  $\Upsilon_{q+3p}^\varepsilon$  and  $\Upsilon_{q+3(p+1)}^\varepsilon$ , the gap is asymptotically of size  $\pi^2(2p+3)$ . Therefore the main message here is that in the thin lattice  $\Pi^\varepsilon$  the propagation of waves is hampered and occurs for very narrow intervals of frequencies.

### 3. PROPERTIES OF THE DISCRETE SPECTRUM OF $A^\Omega$

The goal of this section is to prove Theorem 2.1. We start by showing that the discrete spectrum of  $A^\Omega$  is non empty (for related multidimensional problems, see [34]).

**Proposition 3.1.** *The discrete spectrum of  $A^\Omega$  has at least one eigenvalue.*

*Proof.* Define the 2D X-shaped geometry  $\Omega^{2D} := \Omega_1^{2D} \cup \Omega_2^{2D}$  with  $\Omega_1^{2D} := \mathbb{R} \times (-1/2; 1/2)$  and  $\Omega_2^{2D} := (-1/2; 1/2) \times \mathbb{R}$  (see Fig. 2 right). According to [3, 48] (see also [37], Thm. 2.1 as well as the discussion at the end of this proof), we know that the Dirichlet Laplacian in  $\Omega^{2D}$  admits exactly one eigenvalue  $\mu^{2D}$  below the continuous spectrum  $[\pi^2; +\infty)$ . Let  $\varphi \in H_0^1(\Omega^{2D})$  be a corresponding eigenfunction. In the domain  $\Omega \subset \mathbb{R}^3$  introduced in (7), consider the function  $v$  such that

$$v(x_1, x_2, x_3) = \varphi(x_1, x_2) \cos(\pi x_3) \text{ in } L_1 \cup L_2, \quad v(x_1, x_2, x_3) = 0 \text{ in } \Omega \setminus \overline{L_1 \cup L_2}.$$

We have

$$\int_\Omega |\nabla v|^2 dx = \int_{L_1 \cup L_2} |\nabla v|^2 dx = - \int_{L_1 \cup L_2} \Delta v v dx = (\mu^{2D} + \pi^2) \int_\Omega v^2 dx.$$

But according to the max–min principle (cf. [10], Thm. 10.2.2), we know that

$$\inf \sigma(A^\Omega) = \inf_{w \in H_0^1(\Omega) \setminus \{0\}} \frac{\int_\Omega |\nabla w|^2 \, dx}{\int_\Omega w^2 \, dx}. \tag{9}$$

Inserting the above  $v$  in the right hand side of (9), we deduce that the discrete spectrum of  $A^\Omega$  contains an eigenvalue below  $\mu^{2D} + \pi^2$ .

We end this proof by describing the elegant trick proposed in [3, 48] to show the existence of an eigenvalue in the discrete spectrum of the Dirichlet Laplacian in  $\Omega^{2D}$ . Consider the square coloured in dark gray of Figure 2 right. It has side  $\sqrt{2}$ . Therefore the first eigenvalue of the Dirichlet Laplacian in this geometry is equal to  $\pi^2$ . Hence, in any domain containing strictly this square and included in  $\Omega^{2D}$ , the first eigenvalue of the Dirichlet Laplacian is strictly less than  $\pi^2$ . Extending a corresponding eigenfunction by zero to  $\Omega^{2D}$  and using the max–min principle, we infer that the discrete spectrum of the Dirichlet Laplacian in  $\Omega^{2D}$  is not empty.  $\square$

It remains to show that the discrete spectrum of  $A^\Omega$  has at most one eigenvalue. To proceed, first we establish a result of symmetry.

**Lemma 3.2.** *Let  $v \in H_0^1(\Omega)$  be an eigenfunction of the operator  $A^\Omega$  associated with an eigenvalue  $\mu < 2\pi^2$ . Then  $v$  is symmetric with respect to the three planes  $(Ox_2x_3)$ ,  $(Ox_3x_1)$ ,  $(Ox_1x_2)$ .*

*Proof.* We present the proof of symmetry with respect to the plane  $(Ox_2x_3)$ . The two other symmetries can be established similarly. Introduce the function  $\varphi$  such that

$$\varphi(x_1, x_2, x_3) = v(x_1, x_2, x_3) - v(-x_1, x_2, x_3).$$

Our goal is to prove that  $\varphi \equiv 0$ . Set  $\Omega_1^+ := \{(x_1, x_2, x_3) \in \Omega \mid x_1 > 0\}$ . The function  $\varphi$  satisfies  $-\Delta\varphi = \mu\varphi$  in  $\Omega_1^+$  and  $\varphi = 0$  on  $\partial\Omega_1^+$ . Therefore we have

$$\int_{\Omega_1^+} |\nabla\varphi|^2 \, dx = \mu \int_{\Omega_1^+} \varphi^2 \, dx. \tag{10}$$

Define the domains

$$\begin{aligned} L_1^+ &:= \{x \in L_1 \mid x_1 > 1/2\} \\ S_2 &:= \{x \in L_2 \mid x_1 > 0\} = \Omega_1^+ \cap L_2 \\ S_3 &:= \{x \in L_3 \mid x_1 > 0\} = \Omega_1^+ \cap L_3 \\ S_2^\pm &:= \{x \in S_2 \mid \pm x_2 > 1/2\} \\ S_3^\pm &:= \{x \in S_3 \mid \pm x_3 > 1/2\} \\ Q_1^+ &:= \{x \in \mathbb{R}^3 \mid 0 < x_1 < 1/2, |x_2| < 1/2, |x_3| < 1/2\} = S_2 \cap S_3 \end{aligned}$$

(see the exploded-view drawing of Fig. 3 left). Using the Poincaré inequality in a section of  $L_1^+$ , which is a unit square, and then integrating with respect to the  $x_1$  variable, first we find

$$2\pi^2 \int_{L_1^+} \varphi^2 \, dx \leq \int_{L_1^+} |\nabla\varphi|^2 \, dx. \tag{11}$$

In  $S_2^\pm$ ,  $S_3^\pm$ , since the transverse section is smaller than in  $L_1^+$ , we have better estimates, namely

$$5\pi^2 \int_{S_2^\pm} \varphi^2 \, dx \leq \int_{S_2^\pm} (\partial_{x_1}\varphi)^2 + (\partial_{x_3}\varphi)^2 \, dx, \quad 5\pi^2 \int_{S_3^\pm} \varphi^2 \, dx \leq \int_{S_3^\pm} (\partial_{x_1}\varphi)^2 + (\partial_{x_2}\varphi)^2 \, dx. \tag{12}$$



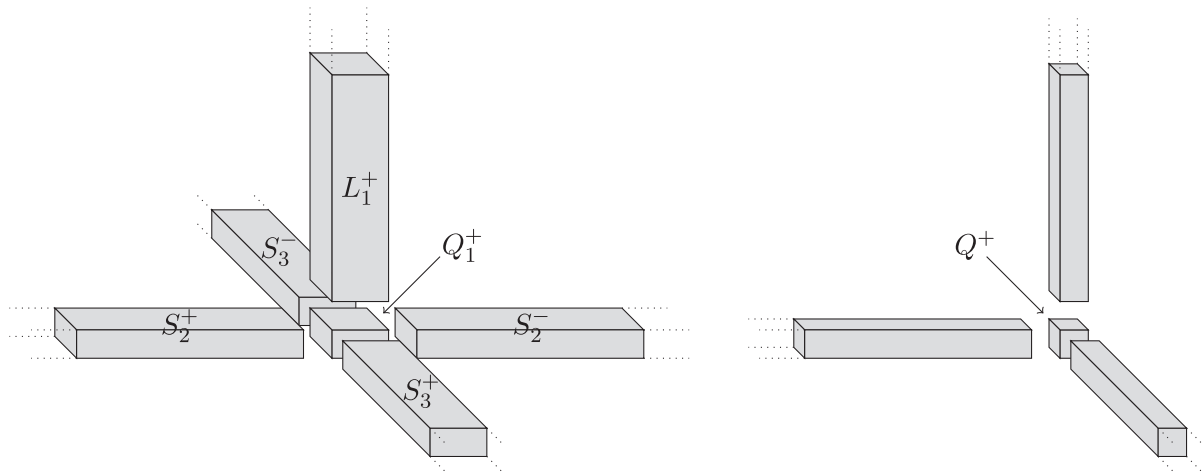


FIGURE 3. *Left:* exploded-view drawing of  $\Omega_1^+$ . *Right:* exploded-view drawing of  $\Omega^+$ .

The difficulty to complete the proof however is that in  $Q_1^+$ , using a 1D Poincaré inequality with respect to the  $x_1$  variable, we can simply get

$$\pi^2 \int_{Q_1^+} \varphi^2 dx \leq \int_{Q_1^+} (\partial_{x_1} \varphi)^2 dx. \tag{13}$$

This is enough to conclude directly that  $\varphi \equiv 0$  when  $\mu \in (0; \pi^2)$  but not in the general situation  $\mu \in (0; 2\pi^2)$  that we wish to deal with. Therefore we have to refine the strategy. What we will do is to exploit the “extra” terms coming from the efficiency of estimates (12) to control the  $L^2$ -norm of  $\varphi$  in  $Q_1^+$ . More precisely, the Lemma 5.1 of [6] that we recall in appendix (Lem. A.1) guarantees that for a given  $a > 0$ , we have the Poincaré–Friedrichs inequality

$$\kappa(a) \int_0^{1/2} \phi^2 dt \leq \int_0^{+\infty} (\partial_t \phi)^2 dt + a^2 \int_{1/2}^{+\infty} \phi^2 dt, \quad \forall \phi \in H^1(0; +\infty), \tag{14}$$

where  $\kappa(a)$  is the smallest positive root of the transcendental equation

$$\sqrt{\kappa} \tan\left(\frac{\sqrt{\kappa}}{2}\right) = a. \tag{15}$$

In particular, solving (15) with  $a = \pi\sqrt{5/2}$ , we find  $\kappa(a) > \pi^2/2$ . Therefore, using (14), we can write

$$\frac{\pi^2}{2} \int_{Q_1^+} \varphi^2 dx \leq \int_{S_2} (\partial_{x_2} \varphi)^2 dx + \frac{5\pi^2}{2} \int_{S_2^+ \cup S_2^-} \varphi^2 dx \tag{16}$$

as well as

$$\frac{\pi^2}{2} \int_{Q_1^+} \varphi^2 dx \leq \int_{S_3} (\partial_{x_3} \varphi)^2 dx + \frac{5\pi^2}{2} \int_{S_3^+ \cup S_3^-} \varphi^2 dx. \tag{17}$$

Then inserting (12) in (16), (17) and summing up the resulting estimates, we obtain

$$\begin{aligned} \pi^2 \int_{Q_1^+} \varphi^2 dx &\leq \int_{S_2} (\partial_{x_2} \varphi)^2 dx + \frac{1}{2} \int_{S_2^+ \cup S_2^-} (\partial_{x_3} \varphi)^2 dx + \int_{S_3} (\partial_{x_3} \varphi)^2 dx + \frac{1}{2} \int_{S_3^+ \cup S_3^-} (\partial_{x_2} \varphi)^2 dx \\ &\quad + \frac{1}{2} \int_{S_2^+ \cup S_2^- \cup S_3^+ \cup S_3^-} (\partial_{x_1} \varphi)^2 dx. \end{aligned} \tag{18}$$

On the other hand, equation (12) also yields

$$2\pi^2 \int_{S_2^+ \cup S_2^- \cup S_3^+ \cup S_3^-} \varphi^2 \, dx \leq \frac{1}{2} \int_{S_2^+ \cup S_2^- \cup S_3^+ \cup S_3^-} (\partial_{x_1} \varphi)^2 \, dx + \frac{1}{2} \int_{S_2^+ \cup S_2^-} (\partial_{x_3} \varphi)^2 \, dx + \frac{1}{2} \int_{S_3^+ \cup S_3^-} (\partial_{x_2} \varphi)^2 \, dx. \tag{19}$$

Finally, summing up (11), (13), (18) and (19), we get

$$2\pi^2 \int_{\Omega_1^+} \varphi^2 \, dx \leq \int_{\Omega_1^+} |\nabla \varphi|^2 \, dx.$$

This estimate together with the identity (10) imply  $\varphi \equiv 0$ . □

We can now establish the main result of this section.

*Proof of Theorem 2.1.* From Proposition 3.1, we know that there is at least one eigenvalue  $\mu_1$  of  $A^\Omega$  below  $2\pi^2$ . Assume that  $A^\Omega$  has a second eigenvalue  $\mu_2$  such that  $\mu_2 < 2\pi^2$ . Set  $\Omega^+ := \{x \in \Omega \mid x_1 > 0, x_2 > 0, x_3 > 0\}$  (see Fig. 3 right). Then according to the result of symmetry of Lemma 3.2, the problem

$$\begin{cases} -\Delta v = \mu v & \text{in } \Omega^+ \\ v = 0 & \text{on } \Sigma_0 := \partial\Omega \cap \partial\Omega^+ \\ \partial_n v = 0 & \text{on } \partial\Omega^+ \setminus \Sigma_0 \end{cases}$$

admits the two eigenvalues  $\mu_1, \mu_2$ . Besides, from the max–min principle ([10], Thm. 10.2.2), we have

$$\mu_2 = \max_{E \subset \mathcal{E}_1} \inf_{w \in E \setminus \{0\}} \frac{\int_{\Omega^+} |\nabla w|^2 \, dx}{\int_{\Omega^+} w^2 \, dx}$$

where  $\mathcal{E}_1$  denotes the set of subspaces of  $H_0^1(\Omega^+; \Sigma_0) := \{\varphi \in H^1(\Omega^+) \mid \varphi = 0 \text{ on } \Sigma_0\}$  of codimension one. In particular, we have

$$\mu_2 \geq \inf_{w \in E \setminus \{0\}} \frac{\int_{\Omega^+} |\nabla w|^2 \, dx}{\int_{\Omega^+} w^2 \, dx} \tag{20}$$

with  $E = \{\varphi \in H_0^1(\Omega^+; \Sigma_0) \mid \int_{Q^+} \varphi \, dx = 0\}$ ,  $Q^+ := (0; 1/2)^3$ . However from the Poincaré inequality, we can write for  $w \in E \setminus \{0\}$ ,

$$2\pi^2 \int_{\Omega^+ \setminus \overline{Q^+}} w^2 \, dx \leq \int_{\Omega^+ \setminus \overline{Q^+}} |\nabla w|^2 \, dx \tag{21}$$

and there holds, according to the max–min principle,

$$\inf_{w \in E \setminus \{0\}} \frac{\int_{Q^+} |\nabla w|^2 \, dx}{\int_{Q^+} w^2 \, dx} = 4\pi^2 \tag{22}$$

because the first positive eigenvalue of the Neumann Laplacian in  $Q^+$  is equal to  $4\pi^2$ . Using (21) and (22) in (20) leads to  $\mu_2 \geq 2\pi^2$  which contradicts the initial assumption. Therefore  $A^\Omega$  cannot have two eigenvalues below the essential spectrum. □

4. ABSENCE OF THRESHOLD RESONANCE

In this section, we establish Theorem 2.3. To proceed, we apply the tools of [4, 45] that we recall now. For  $R \geq 1/2$  and  $j = 1, 2, 3$ , define the truncated cylinder

$$L_j^R := \{x \in L_j \mid |x_j| < R\}$$

and set  $\Omega^R := L_1^R \cup L_2^R \cup L_3^R$ . In  $\Omega^R$ , consider the spectral problem with mixed boundary conditions

$$\begin{cases} -\Delta v = \mu v & \text{in } \Omega^R \\ v = 0 & \text{on } \partial\Omega^R \cap \partial\Omega \\ \partial_n v = 0 & \text{on } \partial\Omega^R \setminus \partial\Omega \end{cases} \tag{23}$$

where  $n$  stands for the outer unit normal to  $\partial\Omega^R$ . Set  $H_0^1(\Omega^R; \partial\Omega^R \cap \partial\Omega) := \{\varphi \in H^1(\Omega^R) \mid \varphi = 0 \text{ on } \partial\Omega^R \cap \partial\Omega\}$  and finally denote by  $B^R$  the unbounded operator associated with (23) of domain  $\mathcal{D}(B^R) \subset H_0^1(\Omega^R; \partial\Omega^R \cap \partial\Omega)$ .

The sufficient condition provided by Pankrashkin ([45], Thm. 3) (see also the criterion given by Bakharev and Nazarov ([4], Thm. 3)) guarantees that there is no threshold resonant for Problem (8) if there exists some  $R \geq 0$  such that the second eigenvalue  $\mu_2^R$  of  $B^R$  satisfies  $\mu_2^R > 2\pi^2$ .

Therefore from now our goal is to show that the second eigenvalue of  $B^R$  is larger than  $2\pi^2$  (Proposition 4.2 below). We start with a result of symmetry similar to Lemma 3.2.

**Lemma 4.1.** *For  $R$  large enough, if  $v \in H_0^1(\Omega^R; \partial\Omega^R \cap \partial\Omega)$  is an eigenfunction of the operator  $B^R$  associated with an eigenvalue  $\mu \leq 2\pi^2$ , then  $v$  is symmetric with respect to the planes  $(Ox_2x_3)$ ,  $(Ox_3x_1)$ ,  $(Ox_1x_2)$ .*

*Proof.* The demonstration follows the lines of the one of Lemma 3.2. However we write the details for the sake of clarity. We focus our attention on the symmetry with respect to the plane  $(Ox_2x_3)$ , the two other ones being similar. Introduce the function  $\varphi$  such that

$$\varphi(x_1, x_2, x_3) = v(x_1, x_2, x_3) - v(-x_1, x_2, x_3).$$

We wish to show that  $\varphi \equiv 0$ . Set  $\Omega_1^{R+} := \{x \in \Omega^R \mid x_1 > 0\}$ . We have

$$\int_{\Omega_1^{R+}} |\nabla\varphi|^2 dx = \mu \int_{\Omega_1^{R+}} \varphi^2 dx. \tag{24}$$

Define the domains

$$\begin{aligned} L_1^{R+} &:= \{x \in L_1^R \mid x_1 > 1/2\} \\ S_2^R &:= \{x \in L_2^R \mid x_1 > 0\} = \Omega_1^{R+} \cap L_2^R \\ S_3^R &:= \{x \in L_3^R \mid x_1 > 0\} = \Omega_1^{R+} \cap L_3^R \\ S_2^{R\pm} &:= \{x \in S_2^R \mid \pm x_2 > 1/2\} \\ S_3^{R\pm} &:= \{x \in S_3^R \mid \pm x_3 > 1/2\}. \end{aligned}$$

In  $L_1^{R+}$  the Poincaré inequality gives

$$2\pi^2 \int_{L_1^{R+}} \varphi^2 dx \leq \int_{L_1^{R+}} |\nabla\varphi|^2 dx. \tag{25}$$

On the other hand, in  $Q_1^+ = (0; 1/2) \times (-1/2; 1/2)^2$  there holds

$$\pi^2 \int_{Q_1^+} \varphi^2 dx \leq \int_{Q_1^+} (\partial_{x_1}\varphi)^2 dx. \tag{26}$$

The Lemma A.2 in appendix (see also Lem. 5.1 of [6]) guarantees that for  $R > 1/2$  and  $a > 0$ , we have

$$\kappa(a, R) \int_0^{1/2} \phi^2 dt \leq \int_0^R (\partial_t \phi)^2 dt + a^2 \int_{1/2}^R \phi^2 dt, \quad \forall \phi \in H^1(0; R), \tag{27}$$

where  $\kappa(a, R) > 0$  converges to the constant  $\kappa(a)$  appearing in (15) as  $R \rightarrow +\infty$ . For  $a = \pi\sqrt{5/2}$ , as already said, one finds  $\kappa(a) > \pi^2/2$ . Introduce  $\delta > 0$  such that  $\kappa(\pi\sqrt{5/2}) > \pi^2/2 + \delta$ . We know that there is  $R_0$  large enough such that we have  $\kappa(\pi\sqrt{5/2}, R) > \pi^2/2 + \delta/2$  for all  $R \geq R_0$ . We infer that we have

$$\frac{\pi^2 + \delta}{2} \int_{Q_1^+} \varphi^2 dx \leq \int_{S_2^R} (\partial_{x_2} \varphi)^2 dx + \frac{5\pi^2}{2} \int_{S_2^{R+} \cup S_2^{R-}} \varphi^2 dx \tag{28}$$

and

$$\frac{\pi^2 + \delta}{2} \int_{Q_1^+} \varphi^2 dx \leq \int_{S_3^R} (\partial_{x_3} \varphi)^2 dx + \frac{5\pi^2}{2} \int_{S_3^{R+} \cup S_3^{R-}} \varphi^2 dx. \tag{29}$$

But from the Poincaré inequality in the transverse section of  $S_2^{R\pm}$ ,  $S_3^{R\pm}$ , we know that

$$5\pi^2 \int_{S_2^{R\pm}} \varphi^2 dx \leq \int_{S_2^{R\pm}} (\partial_{x_1} \varphi)^2 + (\partial_{x_3} \varphi)^2 dx, \quad 5\pi^2 \int_{S_3^{R\pm}} \varphi^2 dx \leq \int_{S_3^{R\pm}} (\partial_{x_1} \varphi)^2 + (\partial_{x_2} \varphi)^2 dx. \tag{30}$$

Inserting (30) in (28), (29) and summing up the resulting estimates, we obtain

$$\begin{aligned} (\pi^2 + \delta) \int_{Q_1^+} \varphi^2 dx &\leq \int_{S_2^R} (\partial_{x_2} \varphi)^2 dx + \int_{S_3^R} (\partial_{x_3} \varphi)^2 dx + \frac{1}{2} \int_{S_2^{R+} \cup S_2^{R-}} (\partial_{x_3} \varphi)^2 dx \\ &\quad + \frac{1}{2} \int_{S_3^{R+} \cup S_3^{R-}} (\partial_{x_2} \varphi)^2 dx + \frac{1}{2} \int_{S_2^{R+} \cup S_2^{R-} \cup S_3^{R+} \cup S_3^{R-}} (\partial_{x_1} \varphi)^2 dx. \end{aligned} \tag{31}$$

On the other hand, equation (30) also yields

$$\begin{aligned} 2\pi^2 \int_{S_2^{R+} \cup S_2^{R-} \cup S_3^{R+} \cup S_3^{R-}} \varphi^2 dx &\leq \frac{1}{2} \int_{S_2^{R+} \cup S_2^{R-} \cup S_3^{R+} \cup S_3^{R-}} (\partial_{x_1} \varphi)^2 dx \\ &\quad + \frac{1}{2} \int_{S_2^{R+} \cup S_2^{R-}} (\partial_{x_3} \varphi)^2 dx + \frac{1}{2} \int_{S_3^{R+} \cup S_3^{R-}} (\partial_{x_2} \varphi)^2 dx. \end{aligned} \tag{32}$$

Finally, summing up (25), (26), (31) and (32), we get

$$\delta \int_{Q_1^+} \varphi^2 dx + 2\pi^2 \int_{\Omega^{R+}} \varphi^2 dx \leq \int_{\Omega^{R+}} |\nabla \varphi|^2 dx.$$

This estimate together with the identity (24) imply  $\int_{Q_1^+} \varphi^2 dx = 0$  and so  $\varphi \equiv 0$  in  $Q_1^+$ . From the unique continuation principle, this gives  $\varphi \equiv 0$  in  $\Omega_1^{R+}$ . □

**Proposition 4.2.** *For  $R$  large enough, the second eigenvalue  $\mu_2^R$  of  $B^R$  satisfies  $\mu_2^R > 2\pi^2$ .*

*Proof.* One applies Lemma 4.1 to reduce the analysis to  $\Omega^{R+} := \{x \in \Omega^R \mid x_1 > 0, x_2 > 0, x_3 > 0\}$ . Here in particular we use the assumption that  $R$  is large enough. The rest of the proof is completely similar to the one of Theorem 2.1. □

### 5. MODEL PROBLEMS FOR THE SPECTRAL BANDS

In this section, we establish Theorem 2.4 and obtain models for the spectral bands  $\Upsilon_p^\varepsilon$  appearing in (6). We recall that the spectrum of  $A^\varepsilon$  is such that  $\sigma(A^\varepsilon) = \bigcup_{p \in \mathbb{N}^*} \Upsilon_p^\varepsilon$ .

### 5.1. Study of $\Upsilon_1^\varepsilon$

By definition, we have

$$\Upsilon_1^\varepsilon = \{\Lambda_1^\varepsilon(\eta), \eta \in [0; 2\pi)^3\} \tag{33}$$

where  $\Lambda_1^\varepsilon(\eta)$  is the first eigenvalue of (5). Therefore our goal is to obtain an asymptotic expansion of  $\Lambda_1^\varepsilon(\eta)$  with respect to  $\varepsilon$  as  $\varepsilon \rightarrow 0^+$ .

Pick  $\eta \in [0; 2\pi)^3$ . Let  $u^\varepsilon(\cdot, \eta)$  be an eigenfunction associated with  $\Lambda_1^\varepsilon(\eta)$ . As a first approximation when  $\varepsilon \rightarrow 0^+$ , it is natural to consider the expansions

$$\Lambda_1^\varepsilon(\eta) = \varepsilon^{-2}\mu_1 + \dots, \quad u^\varepsilon(x, \eta) = v_1(x/\varepsilon) + \dots \tag{34}$$

where  $\mu_1 \in (0; 2\pi^2)$  stands for the eigenvalue of the discrete spectrum of the operator  $A^\Omega$  introduced in Theorem 2.1 and  $v_1 \in H_0^1(\Omega)$  is a corresponding eigenfunction normalized in  $L^2(\Omega)$ . Indeed, inserting  $(\varepsilon^{-2}\mu_1, v_1(\cdot/\varepsilon))$  in Problem (5) only leaves a small discrepancy on the square faces of  $\partial\omega^\varepsilon$  because  $v_1$  is exponentially decaying at infinity. Let us write more precisely the decomposition of  $v_1$  at infinity for further usage. To proceed and keep short notation, we shall work with the coordinates  $(z_j, y_j)$ ,  $j = 1, \dots, 6$ , such that

$$\begin{cases} z_1 = x_1, & y_1 = (x_2, x_3); \\ z_2 = x_2, & y_2 = (x_3, x_1); \\ z_3 = x_3, & y_3 = (x_1, x_2); \end{cases} \quad \begin{cases} z_4 = -x_1, & y_4 = (x_2, -x_3); \\ z_5 = -x_2, & y_5 = (x_3, -x_1); \\ z_6 = -x_3, & y_6 = (x_1, -x_2). \end{cases} \tag{35}$$

We also define for  $j = 1, \dots, 6$ , the branch

$$\mathcal{L}_j := \{x \in \Omega \mid z_j > 1/2\}.$$

Then Fourier decomposition together with the result of symmetry of Lemma 3.2 and the fact that  $\mu_1$  is a simple eigenvalue<sup>2</sup> guarantee that for  $j = 1, \dots, 6$ , we have

$$v_1(x) = K e^{-\beta_1 z_j} U_\dagger(y_j) + O(e^{-\beta_2 z_j}) \quad \text{in } \mathcal{L}_j \quad \text{as } z_j \rightarrow +\infty.$$

Here  $K > 0^3$  is independent of  $j$ ,  $\beta_1 := \sqrt{2\pi^2 - \mu_1}$ ,  $\beta_2 := \sqrt{5\pi^2 - \mu_1}$  and

$$U_\dagger(s_1, s_2) = 2 \cos(\pi s_1) \cos(\pi s_2). \tag{36}$$

The first model (34) is simple but does not comprise the dependence with respect to  $\eta$ . To improve it, consider the more refined ansätze

$$\Lambda_1^\varepsilon(\eta) = \varepsilon^{-2}\mu_1 + \varepsilon^{-2}e^{-\beta_1/\varepsilon}M(\eta) + \dots, \quad u^\varepsilon(x, \eta) = v_1(x/\varepsilon) + e^{-\beta_1/\varepsilon}V(x/\varepsilon, \eta) + \dots \tag{37}$$

where the quantities  $M(\eta)$ ,  $V(\cdot, \eta)$  are to determine. Inserting (37) into (5), first we obtain that  $V(\cdot, \eta)$  must satisfy

$$\begin{cases} -\Delta V(\cdot, \eta) - \mu_1 V(\cdot, \eta) = M(\eta)v_1 & \text{in } \Omega \\ V(\cdot, \eta) = 0 & \text{on } \partial\Omega. \end{cases} \tag{38}$$

In order to have a non zero solution to (38), we must look for a  $V(\cdot, \eta)$  which is growing at infinity. Due to (38), the simplest growth that we can allow is

$$V(x, \eta) = B_j e^{\beta_1 z_j} U_\dagger(y_j) + O(e^{-\beta_1 z_j}) \quad \text{in } \mathcal{L}_j \quad \text{as } z_j \rightarrow +\infty$$

<sup>2</sup>This is needed to show that  $K$  is the same in the branches  $\mathcal{L}_j$ ,  $j = 1, \dots, 6$ .

<sup>3</sup>This follows from the Krein–Rutman theorem which ensures that we can take  $v_1$  positive in  $\Omega$  and from the fact that only the first mode in the Fourier decomposition in each of the branches is positive.

where the  $B_j$  are some constants. Then the quasi-periodic conditions satisfied by  $u^\varepsilon(\cdot, \eta)$  at the faces located at  $x_1 = \pm 1/2, x_2 = \pm 1/2, x_3 = \pm 1/2$  (see (5)) lead us to choose the  $B_j$  such that

$$\begin{cases} K + B_4 = e^{i\eta_1}(K + B_1) \\ K - B_4 = e^{i\eta_1}(-K + B_1) \end{cases} \quad \begin{cases} K + B_5 = e^{i\eta_2}(K + B_2) \\ K - B_5 = e^{i\eta_2}(-K + B_2) \end{cases} \quad \begin{cases} K + B_6 = e^{i\eta_3}(K + B_3) \\ K - B_6 = e^{i\eta_3}(-K + B_3). \end{cases}$$

Solving these systems, we obtain  $B_j = K e^{-i\eta_j}, B_{j+3} = K e^{+i\eta_j}$  for  $j = 1, 2, 3$ . Now since  $\mu_1$  is a simple eigenvalue of  $A^\Omega$ , multiplying (38) by  $v_1$ , integrating by part in  $\Omega^R$  and taking the limit  $R \rightarrow +\infty$ , we find that there is a solution if and only if the following compatibility condition

$$M(\eta)\|v_1\|_{L^2(\Omega)}^2 = -2\beta_1 K^2 \sum_{j=1}^3 e^{i\eta_j} + e^{-i\eta_j} \iff M(\eta) = -4\beta_1 K^2 \sum_{j=1}^3 \cos(\eta_j)$$

is satisfied. This defines the value of  $M(\eta)$  in the expansion (37). From (33), we deduce that as  $\varepsilon$  tends to zero, the bounds of  $\Upsilon_1^\varepsilon = [a_{1-}^\varepsilon; a_{1+}^\varepsilon]$  admit the asymptotics

$$a_{1\pm}^\varepsilon = \varepsilon^{-2} \mu_1 \pm \varepsilon^{-2} e^{-\sqrt{2\pi^2 - \mu_1}/\varepsilon} c_1 + \dots$$

with  $c_1 = 12\beta_1 K^2$ . Note that we decided to focus on a rather formal presentation above for the sake of conciseness. We emphasize that all these results can be completely justified by proving rigorous error. This has been realized in detail in [39–41] for similar problems and can be repeated with obvious modifications.

### 5.2. Study of $\Upsilon_k^\varepsilon, k \geq 2$

We turn our attention to the asymptotics of the spectral bands of higher frequency

$$\Upsilon_k^\varepsilon = \{\Lambda_k^\varepsilon(\eta), \eta \in [0; 2\pi)^3\}, \quad k \geq 2, \tag{39}$$

as  $\varepsilon \rightarrow 0^+$ . Pick  $\eta \in [0; 2\pi)^3$  and introduce  $u^\varepsilon(\cdot, \eta)$  an eigenfunction associated with  $\Lambda_k^\varepsilon(\eta)$ . In the sequel, to simplify, we remove the subscript  $k$  and do not indicate the dependence on  $\eta$ . As a first approximation when  $\varepsilon \rightarrow 0^+$ , we consider the expansion

$$\Lambda^\varepsilon = \varepsilon^{-2} 2\pi^2 + \nu + \dots, \quad u^\varepsilon(x) = v^\varepsilon(x) + \dots \tag{40}$$

with  $v^\varepsilon$  of the form

$$v^\varepsilon(x) = \begin{cases} \gamma_1^\pm(x_1) U_\dagger(x_2/\varepsilon, x_3/\varepsilon) & \text{in } \omega_1^{\varepsilon\pm} := \{x \in \omega_1^\varepsilon \mid \pm x_1 > \varepsilon/2\}, \\ \gamma_2^\pm(x_2) U_\dagger(x_3/\varepsilon, x_1/\varepsilon) & \text{in } \omega_2^{\varepsilon\pm} := \{x \in \omega_2^\varepsilon \mid \pm x_2 > \varepsilon/2\}, \\ \gamma_3^\pm(x_3) U_\dagger(x_1/\varepsilon, x_2/\varepsilon) & \text{in } \omega_3^{\varepsilon\pm} := \{x \in \omega_3^\varepsilon \mid \pm x_3 > \varepsilon/2\}, \end{cases}$$

where the functions  $\gamma_j^\pm, j = 1, 2, 3$ , are to determine ( $U_\dagger$  is defined in (36)). Inserting (40) into Problem (5), we obtain for  $j = 1, 2, 3$ ,

$$\begin{cases} \partial_s^2 \gamma_j^+ + \nu \gamma_j^+ = 0 & \text{in } (0; 1/2) \\ \partial_s^2 \gamma_j^- + \nu \gamma_j^- = 0 & \text{in } (-1/2; 0) \\ \gamma_j^-(-1/2) = e^{i\eta_j} \gamma_j^+(+1/2) \\ \partial_s \gamma_j^-(-1/2) = e^{i\eta_j} \partial_s \gamma_j^+(+1/2). \end{cases} \tag{41}$$

To define the  $\gamma_j^\pm$  uniquely, we need to complement (41) with some conditions at the origin. To proceed, we match the behaviour of the  $\gamma_j^\pm$  with the one of some inner field expansion of  $u^\varepsilon$ . More precisely, in a neighbourhood of the origin we look for an expansion of  $u^\varepsilon$  of the form

$$u^\varepsilon(x) = W(x/\varepsilon) + \dots \tag{42}$$

with  $W$  to determine. Inserting (42) and (40) in (5), we find that  $W$  must satisfy

$$\begin{cases} \Delta W + 2\pi^2 W = 0 & \text{in } \Omega \\ W = 0 & \text{on } \partial\Omega. \end{cases} \tag{43}$$

Now we come to the point where Theorem 2.3 appears in the analysis. Indeed it guarantees that the only solution of (43) which is bounded at infinity is the null function. Therefore we take  $W \equiv 0$  and impose

$$\gamma_j^\pm(0) = 0. \tag{44}$$

Then solving the spectral problem (41), (44), we obtain

$$\nu = (p + 1)^2 \pi^2 \text{ for } p \in \mathbb{N}, \quad \begin{cases} \gamma_j^+(s) = \sin((p + 1)\pi s) \\ \gamma_j^-(s) = -e^{i\eta_j} \sin((p + 1)\pi s). \end{cases} \tag{45}$$

Note that  $\nu$  is a triple eigenvalue (geometric multiplicity equal to three) because the problems (41), (44) for  $j = 1, 2, 3$  are uncoupled. Additionally  $\nu$  is independent of  $\eta \in [0; 2\pi)^3$ . This latter fact is not completely satisfactory and in the sequel we wish to improve the model obtained above. Let us refine the expansion proposed in (40) and work with

$$\Lambda^\varepsilon = \frac{2\pi^2}{\varepsilon^2} + (p + 1)^2 \pi^2 + \varepsilon \tilde{\nu} + \dots, \quad u^\varepsilon(x) = \begin{cases} (a_1 \gamma_1^\pm(x_1) + \varepsilon \tilde{\gamma}_1^\pm(x_1)) U_\dagger(x_2/\varepsilon, x_3/\varepsilon) + \dots & \text{in } \omega_1^{\varepsilon^\pm} \\ (a_2 \gamma_2^\pm(x_2) + \varepsilon \tilde{\gamma}_2^\pm(x_2)) U_\dagger(x_3/\varepsilon, x_1/\varepsilon) + \dots & \text{in } \omega_2^{\varepsilon^\pm} \\ (a_3 \gamma_3^\pm(x_3) + \varepsilon \tilde{\gamma}_3^\pm(x_3)) U_\dagger(x_1/\varepsilon, x_2/\varepsilon) + \dots & \text{in } \omega_3^{\varepsilon^\pm}. \end{cases} \tag{46}$$

Here  $a := (a_1, a_2, a_3) \in \mathbb{R}^3$ ,  $\tilde{\nu}$  as well as the  $\tilde{\gamma}_j^\pm$ ,  $j = 1, 2, 3$ , are to determine. Since we are working with eigenfunctions, we can impose the normalization condition  $a_1^2 + a_2^2 + a_3^2 = 1$ . Inserting (46) into Problem (5) and extracting the terms in  $\varepsilon$ , we get for  $j = 1, 2, 3$ ,

$$\begin{cases} \partial_s^2 \tilde{\gamma}_j^+ + (p + 1)^2 \pi^2 \tilde{\gamma}_j^+ = -\tilde{\nu} a_j \gamma_j^+ & \text{in } (0; 1/2) \\ \partial_s^2 \tilde{\gamma}_j^- + (p + 1)^2 \pi^2 \tilde{\gamma}_j^- = -\tilde{\nu} a_j \gamma_j^- & \text{in } (-1/2; 0) \\ \tilde{\gamma}_j^-(-1/2) = e^{i\eta_j} \tilde{\gamma}_j^+(+1/2) \\ \partial_s \tilde{\gamma}_j^-(-1/2) = e^{i\eta_j} \partial_s \tilde{\gamma}_j^+(+1/2). \end{cases} \tag{47}$$

To define properly the  $\tilde{\gamma}_j^\pm$ , we need to add to (47) conditions at the origin. To identify them, again we match with the behaviour of some inner field representation of  $u^\varepsilon$ . In a neighbourhood of the origin we look for an expansion of  $u^\varepsilon$  of the form

$$u^\varepsilon(x) = \varepsilon \tilde{W}(x/\varepsilon) + \dots \tag{48}$$

Inserting (48) and (46) in (5), we find that  $\tilde{W}$  must satisfy (43). The only non-zeros functions which solve this problem are growing at infinity. We impose linear growth and consider the solutions  $\tilde{W}_j$ ,  $j = 1, \dots, 6$ , with the expansions

$$\tilde{W}_j(x) = \begin{cases} (z_j + M_{jj}) U_\dagger(y_j) + \dots & \text{in } \mathcal{L}_j \text{ as } z_j \rightarrow +\infty \\ M_{jk} U_\dagger(y_k) + \dots & \text{in } \mathcal{L}_k \text{ as } z_k \rightarrow +\infty, \quad k \neq j. \end{cases} \tag{49}$$

Here we use the coordinates  $(z_j, y_j)$  introduced in (35). Note that at infinity  $\tilde{W}_j$  is growing only in the branch  $\mathcal{L}_j$ . Let us explain how to show the existence of these functions (see [42], Chap. 4, Prop. 4.13 for more details). Introduce some  $\psi \in \mathcal{C}^\infty(\mathbb{R})$  such that  $\psi(s) = 1$  for  $s > 1$  and  $\psi(s) = 0$  for  $s \leq 1/2$ . Then for  $j = 1, \dots, 6$ , define  $f_j$  such that  $f_j(x) = (\Delta + 2\pi^2)(\psi(z_j) z_j U_\dagger(y_j))$ . Observe that  $f_j$  is compactly supported. Then the theory of Chapter 5 from [42] together with Theorem 2.3 above ensure that there is a solution to the problem

$$\begin{cases} \Delta \hat{W}_j + 2\pi^2 \hat{W}_j = -f_j & \text{in } \Omega \\ \hat{W}_j = 0 & \text{on } \partial\Omega \end{cases}$$

which is bounded at infinity. Finally we take  $\tilde{W}_j$  such that  $\tilde{W}_j(x) = \psi(z_j) z_j U_{\dagger}(y_j) + \hat{W}_j(x)$ . The coefficients  $M_{jk}$  form the so-called polarization matrix

$$\mathbb{M} := (M_{jk})_{1 \leq j, k \leq 6} \tag{50}$$

which is real and symmetric even in non symmetric geometries (see [42], Chap. 5, Prop. 4.13 and [39–41]).

For the functions  $\gamma_j^{\pm}$  in (45), we have the Taylor expansion, as  $s \rightarrow 0$ ,

$$\begin{aligned} \gamma_j^+(s) &= 0 + (p+1)\pi s + \dots = \varepsilon(p+1)\pi \frac{s}{\varepsilon} + \dots, \\ \gamma_j^-(s) &= 0 - e^{i\eta_j}(p+1)\pi s + \dots = -\varepsilon e^{i\eta_j}(p+1)\pi \frac{s}{\varepsilon} + \dots \end{aligned} \tag{51}$$

Comparing (51) with (49) leads us to choose  $\tilde{W}$  in the expansion  $u^\varepsilon(x) = \varepsilon \tilde{W}(x/\varepsilon) + \dots$  (see (48)) such that

$$\tilde{W} = (p+1)\pi \sum_{j=1}^3 a_j \left( \tilde{W}_j + e^{i\eta_j} \tilde{W}_{3+j} \right).$$

This sets the constant behaviour of  $\tilde{W}$  at infinity and we now match the later with the behaviour of the  $\tilde{\gamma}_j^{\pm}$  at the origin to close system (47). This step leads us to impose

$$\begin{aligned} \tilde{\gamma}_1^+(0) &= (p+1)\pi \sum_{j=1}^3 a_j (M_{j1} + e^{i\eta_j} M_{3+j1}); & \tilde{\gamma}_1^-(0) &= (p+1)\pi \sum_{j=1}^3 a_j (M_{j4} + e^{i\eta_j} M_{3+j4}); \\ \tilde{\gamma}_2^+(0) &= (p+1)\pi \sum_{j=1}^3 a_j (M_{j2} + e^{i\eta_j} M_{3+j2}); & \tilde{\gamma}_2^-(0) &= (p+1)\pi \sum_{j=1}^3 a_j (M_{j5} + e^{i\eta_j} M_{3+j5}); \\ \tilde{\gamma}_3^+(0) &= (p+1)\pi \sum_{j=1}^3 a_j (M_{j3} + e^{i\eta_j} M_{3+j3}); & \tilde{\gamma}_3^-(0) &= (p+1)\pi \sum_{j=1}^3 a_j (M_{j6} + e^{i\eta_j} M_{3+j6}). \end{aligned} \tag{52}$$

Equations (47), (52) form a boundary value problem for a system of ordinary differential equations. For this problem, there is a kernel and a co-kernel. In order to have a solution, some compatibility conditions must be satisfied. Multiplying (47) by  $\overline{\tilde{\gamma}_j^{\mp}}$  and integrating by parts, we find that they are verified if

$$\overline{\partial_s \gamma_j^+(0)} \tilde{\gamma}_j^+(0) - \overline{\partial_s \gamma_j^-(0)} \tilde{\gamma}_j^-(0) = -\tilde{\nu} a_j \left( \int_{-1/2}^0 |\gamma_j^-|^2 ds + \int_0^{1/2} |\gamma_j^+|^2 ds \right)$$

for  $j = 1, 2, 3$  (note that we used that  $\gamma_j^{\pm}(0) = 0$  according to (44)). Since  $\overline{\partial_s \gamma_j^+(0)} = (p+1)\pi$  and  $\overline{\partial_s \gamma_j^-(0)} = -(p+1)\pi e^{-i\eta_j}$ , this gives

$$2(p+1)^2 \pi^2 \left( \sum_{k=1}^3 a_k (M_{kj} + e^{i\eta_k} M_{3+kj}) + e^{-i\eta_j} \sum_{k=1}^3 a_k (M_{k3+j} + e^{i\eta_k} M_{3+k3+j}) \right) = -\tilde{\nu} a_j.$$

In a more compact form and by rewriting the dependence with respect to  $\eta$ , we obtain

$$2(p+1)^2 \pi^2 \mathbb{A}(\eta) a^\top = -\tilde{\nu}(\eta) a^\top, \tag{53}$$

with

$$\mathbb{A}(\eta) := \Theta(\eta) \mathbb{M} \Theta^*(\eta) \in \mathbb{C}^{3 \times 3}, \quad \Theta(\eta) := \begin{pmatrix} 1 & 0 & 0 & e^{-i\eta_1} & 0 & 0 \\ 0 & 1 & 0 & 0 & e^{-i\eta_2} & 0 \\ 0 & 0 & 1 & 0 & 0 & e^{-i\eta_3} \end{pmatrix}, \quad \Theta^*(\eta) = \overline{\Theta(\eta)}^\top.$$



Above we used that the polarization matrix  $\mathbb{M}$  defined in (50) is real and symmetric. By solving the spectral problem (53), we get the values for  $\tilde{\nu}(\eta)$  and  $a$ . Once  $\tilde{\nu}(\eta)$  and  $a$  are known, one can compute the solution to the system (47), (52) to obtain the expressions of the  $\tilde{\gamma}_j(\eta)$ . This ends the definition of the terms appearing in the expansions (46). Let us exploit and comment these results.

- First, observe that the  $\tilde{\nu}(\eta)$  are real. Indeed, since  $\mathbb{M}$  is real and symmetric, we infer that  $\mathbb{A}(\eta)$  is hermitian.
- We have obtained

$$\Lambda^\varepsilon(\eta) = \varepsilon^{-2}2\pi^2 + (p + 1)^2\pi^2 + \varepsilon\tilde{\nu}(\eta) + \dots \tag{54}$$

Note that in this expansion, the third term, contrary to the first two ones, depends on  $\eta$ . In order to isolate the dependence with respect to  $p$ , let us denote by  $\hat{\nu}_1(\eta)$ ,  $\hat{\nu}_2(\eta)$ ,  $\hat{\nu}_3(\eta)$  the three eigenvalues of the problem

$$\mathbb{A}(\eta)a^\top = -\hat{\nu}(\eta)a^\top. \tag{55}$$

We number them so that

$$\hat{\nu}_1(\eta) \leq \hat{\nu}_2(\eta) \leq \hat{\nu}_3(\eta).$$

Remark that the  $\hat{\nu}_j$  are independent of  $p$ . Define the quantity

$$\aleph := \bigcup_{j=1}^3 \{ \hat{\nu}_j(\eta), \eta \in [0; 2\pi)^3 \}. \tag{56}$$

Since  $\Upsilon_k^\varepsilon = [a_{k-}^\varepsilon; a_{k+}^\varepsilon] = \{ \Lambda_k^\varepsilon(\eta), \eta \in [0; 2\pi)^3 \}$ , this analysis shows that for  $k = q + 3p$  with  $p \in \mathbb{N}$ ,  $q \in \{2, 3, 4\}$ , as  $\varepsilon \rightarrow 0^+$ , we have the asymptotics

$$a_{k\pm}^\varepsilon = \varepsilon^{-2}2\pi^2 + (p + 1)^2\pi^2 + \varepsilon(p + 1)^2c_\pm + \dots$$

with  $c_- = 2\pi^2 \min \aleph$ ,  $c_+ = 2\pi^2 \max \aleph$ .

- Due to the symmetries of  $\Omega$ ,  $\mathbb{M}$  is of the form

$$\begin{pmatrix} r_m & t_m^\perp & t_m^\perp & t_m & t_m^\perp & t_m^\perp \\ t_m^\perp & r_m & t_m^\perp & t_m^\perp & t_m & t_m^\perp \\ t_m^\perp & t_m^\perp & r_m & t_m^\perp & t_m^\perp & t_m \\ t_m & t_m^\perp & t_m^\perp & r_m & t_m^\perp & t_m^\perp \\ t_m^\perp & t_m & t_m^\perp & t_m^\perp & r_m & t_m^\perp \\ t_m^\perp & t_m^\perp & t_m & t_m^\perp & t_m^\perp & r_m \end{pmatrix} \tag{57}$$

where  $r_m, t_m, t_m^\perp$  are real coefficients. For  $\eta = (0, 0, 0)$ , we find that the eigenvalues of (55) are

$$2r_m + 2t_m + 8t_m^\perp, \quad 2r_m + 2t_m - 4t_m^\perp, \quad 2r_m + 2t_m - 4t_m^\perp.$$

For  $\eta = (\pi, \pi, \pi)$ , we obtain

$$2r_m - 2t_m, \quad 2r_m - 2t_m, \quad 2r_m - 2t_m.$$

In the numerics of Section 6.2, we compute  $\mathbb{M}$ . From the values of  $r_m, t_m, t_m^\perp$  obtained in (67), we find for example

$$2r_m + 2t_m + 8t_m^\perp \neq 2r_m - 2t_m.$$

This shows that the set  $\aleph$  appearing in (56) has a non empty interior, *i.e.* that  $c_- < c_+$ . Additionally, since  $\hat{\nu}_1(\pi) = \hat{\nu}_2(\pi) = \hat{\nu}_3(\pi)$  and the  $\hat{\nu}_j$  depend continuously on  $\eta$ , we deduce that  $\aleph$  is a connected segment. This is obtained in the numerics of Section 6.2 (see (68)) and due to the symmetries of  $\omega^\varepsilon$ , this was somehow expected.

Finally, let us mention again that all the formal presentation above can be justified rigorously by a direct adaptation of the proofs of error estimates presented in [39–41].

## 6. NUMERICS

### 6.1. Spectrum of $A^\Omega$

We start the numerics by computing the spectrum of the operator  $A^\Omega$  defined after (8). More precisely, in order to approximate also the eigenvalues which are embedded in the essential spectrum of  $A^\Omega$  and to reveal complex resonances which would be located close to the real axis, we work with Perfectly Matched Layers [8, 11, 21] (see also the techniques of analytic dilatations [1, 7, 28, 49]). For  $\theta \in (0; \pi/2)$  and  $L > 1/2$ , define the complex valued parameters

$$\alpha_1^\theta = \begin{cases} 1 & \text{for } |x_1| \leq L \\ e^{-i\theta} & \text{for } |x_1| > L \end{cases}, \quad \alpha_2^\theta = \begin{cases} 1 & \text{for } |x_2| \leq L \\ e^{-i\theta} & \text{for } |x_2| > L \end{cases}, \quad \alpha_3^\theta = \begin{cases} 1 & \text{for } |x_3| \leq L \\ e^{-i\theta} & \text{for } |x_3| > L \end{cases}.$$

Here the coefficient  $\theta$  will drive the rotation of the essential spectrum while  $L$  marks the beginning of the PML region. Then consider the spectral problem

$$\begin{cases} -\alpha_1^\theta \frac{\partial}{\partial x_1} \left( \alpha_1^\theta \frac{\partial u}{\partial x_1} \right) + \alpha_2^\theta \frac{\partial}{\partial x_2} \left( \alpha_2^\theta \frac{\partial u}{\partial x_2} \right) + \alpha_3^\theta \frac{\partial}{\partial x_3} \left( \alpha_3^\theta \frac{\partial u}{\partial x_3} \right) = \Lambda u & \text{in } \Omega \\ u = 0 & \text{on } \partial\Omega. \end{cases} \tag{58}$$

Denote by  $A_\theta^\Omega$  the unbounded operator associated with (58). Observe that  $A_\theta^\Omega$  is not selfadjoint due to the complex parameters  $\alpha_j^\theta$ . However the theory guarantees that the real eigenvalues of  $A_\theta^\Omega$  coincide exactly with the real eigenvalues of  $A^\Omega$ . What is interesting is that one can show that the essential spectrum of  $A_\theta^\Omega$ , that is the values of  $\Lambda$  such that  $A_\theta^\Omega - \Lambda \text{Id} : \mathcal{D}(A_\theta^\Omega) \rightarrow L^2(\Omega)$  is not Fredholm, corresponds to the set

$$\bigcup_{m,n \in \mathbb{N}^*} \{ \pi^2(m^2 + n^2) + t e^{-2i\theta}, t \geq 0 \},$$

so that the real eigenvalues of  $A_\theta^\Omega$  are isolated in the spectrum. As a consequence, we can compute them by truncating the branches of  $\Omega$  at a certain distance without producing spectral pollution. Then we approximate the spectrum in this bounded geometry by using a classical P1 finite element method. We construct the matrices with the library `FreeFem++` [19] and compute the spectrum with `Matlab`<sup>4</sup>.

In Figure 4, we display in the complex plane the approximation of the spectrum of  $A_\theta^\Omega$  obtained with this approach. We observe that the branches of essential spectrum of  $A_\theta^\Omega$  are discretized. This is due to the fact that the approximated problem is set in finite dimension. Moreover, we note that  $A_\theta^\Omega$ , and so  $A^\Omega$ , have eigenvalues on the real line. In accordance with Theorem 2.1, we find exactly one eigenvalue  $\mu_1 \approx 12.9 \approx 1.3\pi^2$  on the segment  $(0; \pi^2)$ . We also note the presence of eigenvalues embedded in the essential spectrum for the operator  $A^\Omega$ . For the first one, we get  $\mu_2 \approx 46.7 \approx 4.7\pi^2$ . Let us mention that in the 2D X-shaped geometry of Figure 2 right, embedded eigenvalues were observed in [48].

In Figure 5, we represent an eigenfunction (trapped mode) associated with the eigenvalue  $\mu_1$  of the discrete spectrum of  $A^\Omega$ . As guaranteed by Lemma 3.2, we observe that it is indeed symmetric with respect to the planes  $(Ox_2x_3), (Ox_3x_1), (Ox_1x_2)$ .

### 6.2. Polarization matrix and threshold scattering matrix for the operator $A^\Omega$

In this section, we explain how to compute the polarization matrix  $\mathbb{M}$  in (50) and whose properties allow one to assess the second corrector term in the expansion  $\Lambda^\varepsilon = \varepsilon^{-2}2\pi^2 + (p + 1)^2\pi^2 + \varepsilon\tilde{\nu} + \dots$  of the eigenvalues generating the spectral bands  $\Upsilon_k^\varepsilon, k \geq 2$ . We work in the geometry  $\Omega$  defined in (7) and study the problem (8) at the threshold, namely

$$\begin{cases} \Delta v + 2\pi^2 v = 0 & \text{on } \Omega \\ v = 0 & \text{on } \partial\Omega. \end{cases} \tag{59}$$

<sup>4</sup>Matlab, <http://www.mathworks.com/>.

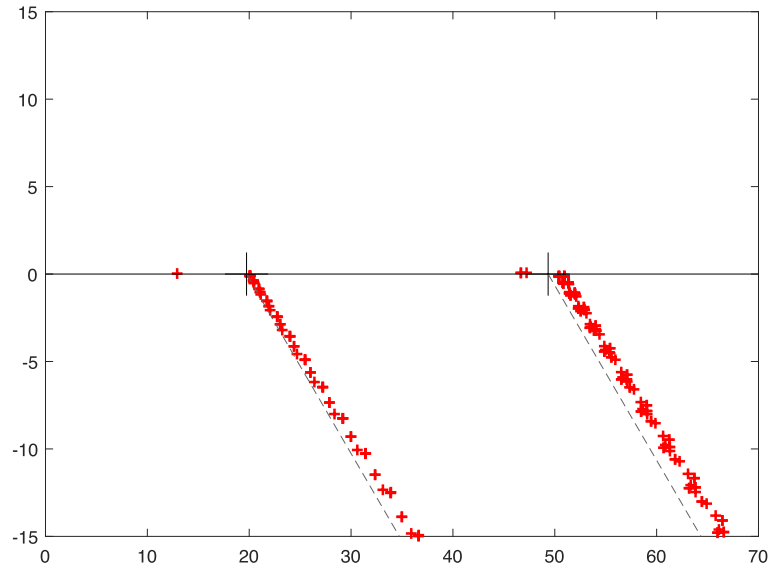


FIGURE 4. Approximation of the spectrum of  $A_\theta^\Omega$  for  $\theta = \pi/4$  ( $L = 1/2$ ).

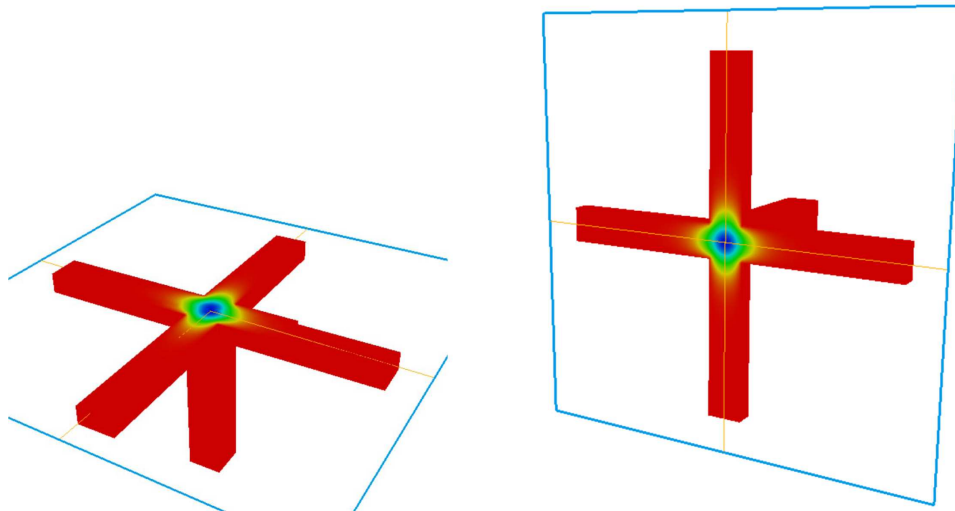


FIGURE 5. Eigenfunction associated with the eigenvalue  $\mu_1$ : cuts  $x_1 = 0$  (left) and  $x_2 = 0$  (right).

To obtain  $\mathbb{M}$ , we will first compute the so-called threshold scattering matrix that we define now. In  $\mathcal{L}_j$ ,  $j = 1, \dots, 6$ , set

$$w_j^\pm(x) = \frac{z_j \mp i}{\sqrt{2}} U_\dagger(y_j).$$

Let us work again with the function  $\psi \in \mathcal{C}^\infty(\mathbb{R})$  introduced after (49) such that  $\psi(s) = 1$  for  $s > 1$  and  $\psi(s) = 0$  for  $s \leq 1/2$ . For  $j = 1, \dots, 6$ , define  $\psi_j$  such that  $\psi_j(x) = \psi(z_j, y_j)$  (observe that  $\psi_j$  is non zero only in the branch  $\mathcal{L}_j$ ). For  $j = 1, \dots, 6$ , the theory of Chapter 5 from [42] guarantees that problem (59) admits a solution

with the decomposition

$$v_j = \psi_j w_j^- + \sum_{k=1}^6 \psi_k s_{jk} w_k^+ + \tilde{u}_j, \tag{60}$$

where the  $s_{jk}$  are complex numbers and the  $\tilde{u}_j$  decay exponentially at infinity. The matrix

$$\mathbb{S} := (s_{jk})_{1 \leq j, k \leq 6}$$

is called the threshold scattering matrix. It is symmetric but not necessarily hermitian ( $\mathbb{S} = \mathbb{S}^\top$ ) and unitary ( $\mathbb{S}\mathbb{S}^\top = \text{Id}$ ). It is known (see relation (7.9) in [38]) that  $\mathbb{M}$  coincides with the Cayley transform of  $\mathbb{S}$ , *i.e.* we have

$$\mathbb{M} = i(\text{Id} + \mathbb{S})^{-1}(\text{Id} - \mathbb{S}). \tag{61}$$

Note that one can show that we have  $\dim \ker(\text{Id} + \mathbb{S}) = \dim(\mathcal{B}/\mathcal{B}_{\text{tr}})$  (the quotient space) where  $\mathcal{B}$  denotes the space of bounded solutions of (59) and  $\mathcal{B}_{\text{tr}}$  the space of trapped modes of (59). For the proof, we refer the reader for example to Theorem 1 in [36]. Since Theorem 2.3 ensures that  $\mathcal{B}$  reduces to the null function, we infer that  $\text{Id} + \mathbb{S}$  is invertible which guarantees that  $\mathbb{M}$  is well defined *via* formula (61). Additionally, due to the symmetries of  $\Omega$ ,  $\mathbb{S}$  is of the form

$$\begin{pmatrix} r & t^\perp & t^\perp & t & t^\perp & t^\perp \\ t^\perp & r & t^\perp & t^\perp & t & t^\perp \\ t^\perp & t^\perp & r & t^\perp & t^\perp & t \\ t & t^\perp & t^\perp & r & t^\perp & t^\perp \\ t^\perp & t & t^\perp & t^\perp & r & t^\perp \\ t^\perp & t^\perp & t & t^\perp & t^\perp & r \end{pmatrix} \tag{62}$$

where  $r, t, t^\perp$  are complex reflection and transmission coefficients. Therefore it is sufficient to compute  $v_1$ . To proceed, we shall work in the bounded domain  $\Omega^R$  (see before (23)) and impose approximated radiation conditions on the artificial cuts. Denote by  $n$  the outer unit normal to  $\partial\Omega^R$  and set

$$\begin{aligned} \Gamma_1 &:= \{R\} \times (-1/2; 1/2)^2, & \Gamma_2 &:= (-1/2; 1/2) \times \{R\} \times (-1/2; 1/2), & \Gamma_3 &:= (-1/2; 1/2)^2 \times \{R\} \\ \Gamma_4 &:= \{-R\} \times (-1/2; 1/2)^2, & \Gamma_5 &:= (-1/2; 1/2) \times \{-R\} \times (-1/2; 1/2), & \Gamma_6 &:= (-1/2; 1/2)^2 \times \{-R\} \end{aligned}$$

$\Gamma := \cup_{j=1}^6 \Gamma_j$ . On  $\Gamma_1$ , according to (60), we have

$$\partial_n(v_1 - \psi_1 w_1^-) = \partial_{z_1}(v_1 - w_1^-) = 2^{-1/2}r U_\dagger + \dots$$

where the dots stand for terms which are small for large values of  $R$ . On the other hand on  $\Gamma_1$ , there holds

$$v_1 - w_1^- = 2^{-1/2}r(R - i)U_\dagger + \dots$$

Therefore, this gives, still on  $\Gamma_1$ ,

$$\partial_n v_1 = \frac{v_1 - w_1^-}{R - i} + \partial_{z_1} w_1^- + \dots = \frac{v_1}{R - i} + w_1^- \left( \frac{1}{R + i} - \frac{1}{R - i} \right) + \dots = \frac{v_1}{R - i} - \frac{2i}{R^2 + 1} w_1^- + \dots \tag{63}$$

On  $\Gamma_j, j \neq 1$ , the situation is simpler because  $v_1$  is outgoing in the corresponding branches and we have

$$\partial_n v_1 = \frac{v_1}{R - i} + \dots \tag{64}$$

Finally, using the Robin conditions (63), (64) as approximated radiation conditions, we consider the variational formulation

$$\left| \begin{aligned} &\text{Find } \hat{v}_1 \in H_0^1(\Omega^R; \partial\Omega^R \cap \partial\Omega) \text{ such that for all } v \in H_0^1(\Omega^R; \partial\Omega^R \cap \partial\Omega) \\ &\int_{\Omega^R} \nabla \hat{v}_1 \cdot \nabla v \, dx - \frac{1}{R-i} \int_{\Gamma} \hat{v}_1 v \, d\sigma - (2\pi)^2 \int_{\Omega^R} \hat{v}_1 v \, dx = -\frac{2i}{R^2+1} \int_{\Gamma_1} w_1^- v \, d\sigma. \end{aligned} \right. \tag{65}$$

One can prove that  $\hat{v}_1$  yields a good approximation of  $v_1$  with an error which is exponentially decaying with  $R$ . In practice, we solve the problem (65) with a P1 finite element method thanks to `Freefem++`. Then replacing  $v_1$  by  $\hat{v}_1$  in the exact formulas

$$r = \frac{2}{R^2+1} \int_{\Gamma_1} (v_1 - w_1^-) w_1^- \, d\sigma, \quad t = \frac{2}{R^2+1} \int_{\Gamma_4} v_1 w_4^- \, d\sigma, \quad t^\perp = \frac{2}{R^2+1} \int_{\Gamma_2} v_1 w_2^- \, d\sigma, \tag{66}$$

we get an approximation of the threshold scattering matrix  $\mathbb{S}$  given by (62). Finally with (61), we obtain an approximation of the polarization matrix  $\mathbb{M}$  which appears in the  $3 \times 3$  spectral problems (53).

Our computations give

$$r \approx 0.66 + 0.11i, \quad t \approx 0.08 - 0.70i, \quad t^\perp \approx -0.08 - 0.08i.$$

The eigenvalues of  $\mathbb{S} \in \mathbb{C}^{6 \times 6}$  are approximately equal to

$$0.44 - 0.9i \text{ (simple), } \quad 0.9 - 0.44i \text{ (double)} \quad \text{and} \quad 0.58 + 0.81i \text{ (triple)}.$$

They have modulus one which is consistent with the fact that  $\mathbb{S}$  is unitary. Moreover, we indeed observe that they are different from  $-1$  which is coherent with the discussion following (61) (absence of threshold resonance). On the other hand, for the coefficients of  $\mathbb{M}$  (see (57)), we get

$$r_m \approx 0.08, \quad t_m \approx -0.44, \quad t_m^\perp \approx -0.06. \tag{67}$$

With these values, solving the  $3 \times 3$  eigenvalue problem (55) for  $\eta \in [0; 2\pi)^3$ , we find that the segment  $\aleph$  defined in (56) satisfies

$$\aleph \approx (-1.24; 1.04). \tag{68}$$

Let us mention that the Robin conditions (63), (64) are rather crude approximations of the exact radiation conditions. To get good errors estimates, we should take rather large values of  $R$ . However in practice, large  $R$  are no so simple to handle and can create important numerical errors. Therefore a compromise must be found and we take  $R = 2.5$ . Admittedly, this point should more investigated.

### APPENDIX A. POINCARÉ–FRIEDRICHS INEQUALITIES

For the convenience of the reader, we reproduce here the Lemma 5.1 of [6].

**Lemma A.1.** *Assume that  $a > 0$ . Then we have the Poincaré–Friedrichs inequality*

$$\kappa(a) \int_0^{1/2} \phi^2 \, dt \leq \int_0^{+\infty} (\partial_t \phi)^2 \, dt + a^2 \int_{1/2}^{+\infty} \phi^2 \, dt, \quad \forall \phi \in H^1(0; +\infty), \tag{A.1}$$

where  $\kappa(a)$  is the smallest positive root of the transcendental equation

$$\sqrt{\kappa} \tan\left(\frac{\sqrt{\kappa}}{2}\right) = a. \tag{A.2}$$

*Proof.* For  $a > 0$ , consider the spectral problem

$$\begin{cases} -\partial_t^2 \phi + a^2 \mathbb{1}_{(1/2;+\infty)} \phi = \lambda(a) \mathbb{1}_{(0;1/2)} \phi & \text{in } (0; +\infty) \\ \partial_t \phi(0) = 0 \end{cases} \tag{A.3}$$

where  $\mathbb{1}_{(1/2;+\infty)}$ ,  $\mathbb{1}_{(0;1/2)}$  stand for the indicator functions of the sets  $(1/2; +\infty)$ ,  $(0; 1/2)$  respectively. Let us equip  $H^1(0; +\infty)$  with the inner product

$$(\phi, \phi')_a = \int_0^{+\infty} \partial_t \phi \partial_t \phi' dt + a^2 \phi \phi' dt.$$

With the Riesz representation theorem, define the linear and continuous operator  $T : H^1(0; +\infty) \rightarrow H^1(0; +\infty)$  such that

$$(T\phi, \phi')_a = \int_0^{1/2} \phi \phi' dt.$$

With this definition, we find that  $(\lambda(a), \phi)$  is an eigenpair of (A.3) if and only if we have

$$T\phi = (\lambda(a) + a^2)^{-1} \phi.$$

Since  $T$  is bounded and symmetric, it is self-adjoint. Additionally the Rellich theorem ensures that  $T$  is compact. This guarantees that the spectrum of (A.3) coincides with a sequence of positive eigenvalues whose only accumulation point is  $+\infty$ . Let us denote by  $\kappa(a)$  the smallest eigenvalue of (A.3). From classical results concerning compact self-adjoint operators (see *e.g.* [10], Thm. 2.7.2), we know that

$$(\kappa(a) + a^2)^{-1} = \sup_{\phi \in H^1(0;+\infty), (\phi, \phi)_a=1} (T\phi, \phi)_a. \tag{A.4}$$

Rearranging the terms, we find that (A.4) provides the desired estimates (A.1). Now we compute  $\kappa(a)$ . Solving the ordinary differential equation (A.3) with  $\lambda(a) = \kappa(a)$ , we obtain, up to a multiplicative constant,

$$\phi(t) = \begin{cases} \cos(\sqrt{\kappa(a)}t) & \text{for } t \in (0; 1/2) \\ c e^{-at} & \text{for } t \geq 1/2 \end{cases}$$

where  $c$  is a constant to determine. Writing the transmission conditions at  $t = 1/2$ , we find that a non zero solution exists if and only if  $\kappa(a) > 0$  satisfies the relation (A.2). □

**Lemma A.2.** *Assume that  $a > 0$  and  $R > 1/2$ . Then we have the Poincaré–Friedrichs inequality*

$$\kappa(a, R) \int_0^{1/2} \phi^2 dt \leq \int_0^R (\partial_t \phi)^2 dt + a^2 \int_{1/2}^R \phi^2 dt, \quad \forall \phi \in H^1(0; R), \tag{A.5}$$

where  $\kappa(a, R)$  is the smallest positive root of the transcendental equation

$$\sqrt{\kappa} \tan\left(\frac{\sqrt{\kappa}}{2}\right) = a \tanh(a(R - 1/2)). \tag{A.6}$$

Therefore, we have  $\lim_{R \rightarrow +\infty} \kappa(a, R) = \kappa(a)$  where  $\kappa(a)$  is the constant appearing in Lemma A.1.

*Proof.* The demonstration is completely similar to the one of Lemma A.1 above. We find that the largest constant  $\kappa(a, R)$  such that (A.5) holds coincides with the smallest eigenvalue of the problem

$$\begin{cases} -\partial_t^2 \phi + a^2 \mathbb{1}_{(1/2;R)} \phi = \kappa(a, R) \mathbb{1}_{(0;1/2)} \phi & \text{in } (0; R) \\ \partial_t \phi(0) = \partial_t \phi(R) = 0. \end{cases}$$

Solving it, we find that if  $\phi$  is a corresponding eigenfunction, up to a multiplicative constant, we have

$$\phi(t) = \begin{cases} \cos(\sqrt{\kappa(a, R)}t) & \text{for } t \in (0; 1/2) \\ c \cosh(a(t - R)) & \text{for } t \in (1/2; R) \end{cases}$$

for some constant  $c$ . This times, writing the transmission conditions at  $t = 1/2$ , we find that a non zero solution exists when  $\kappa(a, R)$  satisfies (A.6). Finally we obtain that  $\kappa(a, R) \rightarrow \kappa(a)$  because  $\tanh(a(R - 1/2))$  in (A.6) tends to 1 when  $R \rightarrow +\infty$ .  $\square$

*Acknowledgements.* The work of the second author was supported by the Russian Science Foundation, project 22-11-00046.

## REFERENCES

- [1] J. Aguilar and J.-M. Combes, A class of analytic perturbations for one-body Schrödinger Hamiltonians. *Comm. Math. Phys.* **22** (1971) 269–279.
- [2] S. Albeverio, C. Cacciapuoti and D. Finco, Coupling in the singular limit of thin quantum waveguides. *J. Math. Phys.* **48** (2007) 032103, 21.
- [3] Y. Avishai, D. Bessis, B.G. Giraud and G. Mantica, Quantum bound states in open geometries. *Phys. Rev. B* **15** (1991) 8028–8034.
- [4] F.L. Bakharev and S.A. Nazarov, Criteria for the absence and existence of bounded solutions at the threshold frequency in a junction of quantum waveguides. *St. Petersburg Math. J.* **32** (2021) 955–973.
- [5] F.L. Bakharev, S.G. Matveenko and S.A. Nazarov, Spectra of three-dimensional cruciform and lattice quantum waveguides. *Dokl. Math.* **92** (2015) 514–518.
- [6] F.L. Bakharev, S.G. Matveenko and S.A. Nazarov, The discrete spectrum of cross-shaped waveguides. *St. Petersburg Math. J.* **28** (2017) 171–180.
- [7] E. Balslev and J.-M. Combes, Spectral properties of many-body Schrödinger operators with dilatation-analytic interactions. *Comm. Math. Phys.* **22** (1971) 280–294.
- [8] J.-P. Berenger, A perfectly matched layer for the absorption of electromagnetic waves. *J. Comput. Phys.* **114** (1994) 185–200.
- [9] G. Berkolaiko and P. Kuchment, Introduction to Quantum Graphs. Vol. 186. American Mathematical Society (AMS), Providence, RI (2013).
- [10] M.S. Birman and M.Z. Solomjak, Spectral Theory of Selfadjoint Operators in Hilbert space. *Mathematics and its Applications (Soviet Series)*. D. Reidel Publishing Co., Dordrecht (1987).
- [11] A.-S. Bonnet-Ben Dhia, L. Chesnel and V. Pagneux, Trapped modes and reflectionless modes as eigenfunctions of the same spectral problem. *Proc. R. Soc. A* **474** (2018) 20180050.
- [12] E.N. Bulgakov, P. Exner, K.N. Pichugin and A.F. Sadreev, Multiple bound states in scissor-shaped waveguides. *Phys. Rev. B* **66** (2002) 155109.
- [13] C. Cacciapuoti, Graph-like asymptotics for the Dirichlet Laplacian in connected tubular domains. *Anal. Geom. Number Theory* **2** (2017) 25–58.
- [14] C. Cacciapuoti and P. Exner, Nontrivial edge coupling from a Dirichlet network squeezing: the case of a bent waveguide. *J. Phys. A Math. Theor.* **40** (2007) f511–g523.
- [15] P. Exner and H. Kovařík, Quantum Waveguides. Springer (2015).
- [16] I.M. Gelfand, Expansion in characteristic functions of an equation with periodic coefficients. *Dokl. Akad. Nauk SSSR* **73** (1950) 1117–1120.
- [17] D. Grieser, Spectra of graph neighborhoods and scattering. *Proc. Lond. Math. Soc.* **97** (2008) 718–752.
- [18] D. Grieser, Thin tubes in mathematical physics, global analysis and spectral geometry, in Analysis on Graphs and its Applications. Selected papers based on the INI programme, Cambridge, UK, January 8–June 29, 2007 (2008) 565–593.
- [19] F. Hecht, New development in freefem++. *J. Numer. Math.* **20** (2012) 251–265.
- [20] T. Kato, Perturbation Theory for Linear Operators. Springer-Verlag, Berlin, Reprint of the corr. print. of the 2nd edition 1980 edition (1995).
- [21] S. Kim and J.E. Pasciak, Analysis of the spectrum of a Cartesian perfectly matched layer (PML) approximation to acoustic scattering problems. *J. Math. Anal. Appl.* **361** (2010) 420–430.
- [22] V.A. Kozlov, V.G. Maz'ya and J. Rossmann, Spectral Problems Associated with Corner Singularities of Solutions to Elliptic Equations. Vol. 85 of *Mathematical Surveys and Monographs*. AMS, Providence (2001).
- [23] P. Kuchment, Graph models for waves in thin structures. *Waves Random Media* **12** (2002) R1.
- [24] P. Kuchment, Quantum graphs: an introduction and a brief survey, in Analysis on Graphs and its Applications. Selected papers based on the INI Programme, Cambridge, UK, January 8–June 29, 2007. American Mathematical Society (AMS), Providence, RI (2008) 291–312.
- [25] P.A. Kuchment, Floquet theory for partial differential equations. *Russ. Math. Surv.* **37** (1982) 1.

- [26] P.A. Kuchment, Floquet Theory for Partial Differential Equations. Vol. 60. Springer Science & Business Media (1993).
- [27] P. Kuchment and H. Zeng, Asymptotics of spectra of Neumann laplacians in thin domains. *Contemp. Math.* **327** (2003) 199–214.
- [28] N. Moiseyev, Quantum theory of resonances: calculating energies, widths and cross-sections by complex scaling. *Phys. Rep.* **302** (1998) 212–293.
- [29] S. Molchanov and B. Vainberg, Scattering solutions in networks of thin fibers: small diameter asymptotics. *Commun. Math. Phys.* **273** (2007) 533–559.
- [30] S. Molchanov and B. Vainberg, Laplace operator in networks of thin fibers: spectrum near the threshold, in Stochastic Analysing in Mathematical Physics. Proceedings of a Satellite Conference of ICM 2006, Lisbon, Portugal, September 4–8, 2006. Selected papers. (2008) 69–94.
- [31] S.A. Nazarov, Asymptotic analysis and modeling of the jointing of a massive body with thin rods. *J. Math. Sci.* **127** (2005) 2192–2262.
- [32] S.A. Nazarov, Properties of spectra of boundary value problems in cylindrical and quasicylindrical domains, in Sobolev Spaces in Mathematics II. Springer (2009) 261–309.
- [33] S.A. Nazarov, Trapped modes in a T-shaped waveguide. *Acoust. Phys.* **56** (2010) 1004–1015.
- [34] S.A. Nazarov, Discrete spectrum of cranked, branching, and periodic waveguides. *St. Petersburg. Math. J.* **23** (2012) 351–379. Transl. from *Algebra i analiz* **23** (2011) 206–247.
- [35] S.A. Nazarov, Asymptotics of eigenvalues of the Dirichlet problem in a skewed T-shaped waveguide. *Zh. Vychisl. Mat. Mat. Fiz.* **54** (2014) 793–814.
- [36] S.A. Nazarov, Bounded solutions in a T-shaped waveguide and the spectral properties of the Dirichlet ladder. *Comput. Math. Math. Phys.* **54** (2014) 1261–1279.
- [37] S.A. Nazarov, Discrete spectrum of cross-shaped quantum waveguides. *J. Math. Sci.* **196** (2014) 346–376.
- [38] S.A. Nazarov, Transmission conditions in one-dimensional model of a rectangular lattice of thin quantum waveguides. *J. Math. Sci.* **219** (2016) 994–1015.
- [39] S.A. Nazarov, The spectra of rectangular lattices of quantum waveguides. *Izv. Math.* **81** (2017) 29.
- [40] S.A. Nazarov, Breakdown of cycles and the possibility of opening spectral gaps in a square lattice of thin acoustic waveguides. *Izv. Math.* **82** (2018) 1148–1195. Transl. from *Izv. Ross. Akad. Nauk Ser. Mat.* **82** (2018) 78–127.
- [41] S.A. Nazarov, On the one-dimensional asymptotic models of thin Neumann lattices. *Sib. Math. J.* **64** (2023) 356–373.
- [42] S.A. Nazarov and B.A. Plamenevskii, Elliptic Problems in Domains with Piecewise Smooth Boundaries. Vol. 13 of *Expositions in Mathematics*. De Gruyter, Berlin, Germany (1994).
- [43] S.A. Nazarov, K. Ruotsalainen and P. Uusitalo, The Y-junction of quantum waveguides. *Z. Angew. Math. Mech.* **94** (2014) 477–486.
- [44] S.A. Nazarov, K. Ruotsalainen and P. Uusitalo, Asymptotics of the spectrum of the Dirichlet Laplacian on a thin carbon nano-structure. *C. R. Acad. Sci. Mec.* **343** (2015) 360–364.
- [45] K. Pankrashkin, Eigenvalue inequalities and absence of threshold resonances for waveguide junctions. *J. Math. Anal. Appl.* **449** (2017) 907–925.
- [46] L. Pauling, The diamagnetic anisotropy of aromatic molecules. *J. Chem. Phys.* **4** (1936) 673–677.
- [47] O. Post, Spectral Analysis on Graph-Like Spaces. Vol. 2039. Springer Science & Business Media (2012).
- [48] R.L. Schult, D.G. Ravenhall and H.W. Wyld, Quantum bound states in a classically unbound system of crossed wires. *Phys. Rev. B* **39** (1989) 5476.
- [49] B. Simon, Resonances and complex scaling: a rigorous overview. *Int. J. Quantum Chem.* **XIV** (1978) 529–542.
- [50] M.M. Skriganov, Geometric and Arithmetic Methods in the Spectral Theory of Multidimensional Periodic Operators. Vol. 171. American Mathematical Society (1987).

**Please help to maintain this journal in open access!**



This journal is currently published in open access under the Subscribe to Open model (S2O). We are thankful to our subscribers and supporters for making it possible to publish this journal in open access in the current year, free of charge for authors and readers.

Check with your library that it subscribes to the journal, or consider making a personal donation to the S2O programme by contacting [subscribers@edpsciences.org](mailto:subscribers@edpsciences.org).

More information, including a list of supporters and financial transparency reports, is available at <https://edpsciences.org/en/subscribe-to-open-s2o>.