



HAL
open science

A study of the discovery and redundancy of link keys between two RDF datasets based on partition pattern structures

Nacira Abbas, Alexandre Bazin, Jérôme David, Amedeo Napoli

► **To cite this version:**

Nacira Abbas, Alexandre Bazin, Jérôme David, Amedeo Napoli. A study of the discovery and redundancy of link keys between two RDF datasets based on partition pattern structures. CLA 2022 - 16th International Conference on Concept Lattices and Their Applications, Jun 2022, Tallinn, Estonia. pp.175-189. hal-03933868

HAL Id: hal-03933868

<https://hal.science/hal-03933868v1>

Submitted on 10 Jan 2023

HAL is a multi-disciplinary open access archive for the deposit and dissemination of scientific research documents, whether they are published or not. The documents may come from teaching and research institutions in France or abroad, or from public or private research centers.

L'archive ouverte pluridisciplinaire **HAL**, est destinée au dépôt et à la diffusion de documents scientifiques de niveau recherche, publiés ou non, émanant des établissements d'enseignement et de recherche français ou étrangers, des laboratoires publics ou privés.



Distributed under a Creative Commons Attribution 4.0 International License

A Study of the Discovery and Redundancy of Link Keys Between Two RDF Datasets Based on Partition Pattern Structures

Nacira Abbas¹, Alexandre Bazin², Jérôme David³ and Amedeo Napoli^{1,*}

¹Université de Lorraine, CNRS, Inria, Loria, F-54000 Nancy, France

²Université de Montpellier, CNRS, LIRMM, F-34095 Montpellier, France

³Université Grenoble Alpes, Inria, CNRS, Grenoble INP, LIG, F-38000 Grenoble, France

Abstract

A link key between two RDF datasets D_1 and D_2 is a set of pairs of properties allowing to identify pairs of individuals x_1 and x_2 through an identity link such as $x_1 \text{ owl:sameAs } x_2$. In this paper, relying on and extending previous work, we introduce an original formalization of link key discovery based on the framework of Partition Pattern Structures (PPS). Our objective is to study and evaluate the redundancy of link keys based on the fact that owl:sameAs is an equivalence relation. In the PPS concept lattice, every concept has an extent representing a link key candidate and an intent representing a partition of instances into sets of equivalent instances. Experiments show three main results. Firstly redundancy of link keys is not so significant in real-world datasets. Nevertheless, the link key discovery approach based on PPS returns a reduced number of non redundant link key candidates when compared to a standard approach. Moreover, the PPS-based approach is efficient and returns link keys of high quality.

1. Introduction

In this paper, we are interested in data interlinking whose objective is to discover identity links across two RDF datasets over the web of data [1, 2, 3]. The same real world entity can be represented in two RDF datasets by different subjects in RDF triples having the form (subject, property, object). Then, for cleaning data and providing data of better quality, it is meaningful to detect such identities. There are both numerical and logical approaches for discovering these identities. For example, interlinking methods have been implemented in systems such as LIMES [4] and SILK [5]. These systems use link specifications, i.e. rules that declare whether two IRIs should be linked. Link specifications can also be specified by users or learned from data [6, 7, 8].

In particular, link keys which are under investigation in this paper are special kinds of rules allowing to infer identity links between two RDF datasets. More formally, a link key is composed of two sets of pairs of properties ($\{(p_i, q_i)\}_i, \{(p'_j, q'_j)\}_j$) associated with a pair of

Published in Pablo Cordero, Ondrej Kridlo (Eds.): *The 16th International Conference on Concept Lattices and Their Applications, CLA 2022, Tallinn, Estonia, June 20–22, 2022, Proceedings*, pp. 175–189.

*Corresponding author.

✉ Nacira.Abbas@inria.fr (N. Abbas); Alexandre.Bazin@umontpellier.fr (A. Bazin); Jerome.David@inria.fr (J. David); Amedeo.Napoli@loria.fr (A. Napoli)



© 2022 Copyright for this paper by its authors. Use permitted under Creative Commons License Attribution 4.0 International (CC BY 4.0).

CEUR Workshop Proceedings (CEUR-WS.org)

classes (c_1, c_2) . Then, whenever an instance a_1 of class c_1 has the same (non empty) set of values as an instance b_1 of class c_2 , i.e. $p_i(a_1) = q_i(b_1)$ for all pairs of properties in the first set (universal quantification), and shares at least one value for all pairs of properties in the second set (existential quantification), i.e. $p'_j(a_1) \cap q'_j(b_1) \neq \emptyset$, then a_1 and b_1 denote the same entity, i.e., an `owl:sameAs` relation can be established between a_1 and b_1 . More concretely, the expression $k = (\{(designation, title)\}, \{(designation, title), (creator, author)\}, (Book, Novel))$ states that whenever an instance a of class `Book` has the same non empty values for the property `designation` as an instance b of the class `Novel` for `title`, and that a and b share at least one value for the properties `creator` and `author`, then a and b denote the same entity a `owl:sameAs` link can be established between a and b .

Link keys are not provided with the datasets and algorithms are designed for automatically discovering such link keys [9, 10, 11]. Given two RDF datasets, these algorithms reduce the search space and focus on the discovery of “link key candidates” instead of checking every combination of pairs of properties and pairs of classes. The notion of a link key candidate –made precise below– involves maximality and closure. Following this line, natural links were established in [10, 11] between link key discovery and Formal Concept Analysis (FCA [12]). Indeed, FCA appeared as a suitable framework for the discovery of link key candidates, which are then evaluated thanks to appropriate quality measures [9].

Given two RDF datasets, FCA is applied in [10] to a binary table where rows correspond to pairs of individuals and columns to pairs of properties. The intent of a resulting concept corresponds to a link key candidate, which remains to be validated thanks to suitable quality measures. The extent of the concept includes the potential identity links between individuals. A generalization of the former approach is proposed in [11], which is based on pattern structures [13] and which takes into account different pairs of classes at the same time in the discovery of link keys.

Actually, “good” link key candidates over two RDF datasets have to generate different and maximal link sets, i.e., a mapping between individuals which is “close to a bijection”. However it appears that two different link key candidates may generate the same link set when the link set is considered as a partition w.r.t. the `owl:sameAs` equivalence relation. This means that these two link key candidates present a certain redundancy, and then they can be considered as equivalent and merged in a way to be defined. This redundancy can be detected thanks to the properties of `owl:sameAs` as an equivalence relation, i.e. reflexivity, symmetry, and transitivity. Then, the `owl:sameAs` relation generates partitions among pairs of individuals that can be used for reducing the number of potential link key candidates. Indeed, two candidates relying on the same partition are considered as redundant and can be merged. However, we do not have a concrete idea of the importance of such redundancy and we should find a way to measure it. This is one objective of this paper to try to materialize this redundancy and to measure its importance.

For doing so, taking inspiration from the work carried out in [14] on the discovery of functional dependencies, we provide a formalization of link key discovery based on “partition pattern structures” (PPS), which allow us to take into account sets of equivalent individuals w.r.t. `owl:sameAs` as partitions. Then, a pattern concept represents a link key candidate and the related partition induced by the candidate. This approach is able to retrieve all link key candidates as a set of “non redundant” link keys. Moreover, this link key discovery process

based on PPS is operational and original¹. Actually, this is the first time that the characteristics of `owl:sameAs` as an equivalence relation are considered, and that the related partitions of pairs of individuals are directly used for defining link key candidates. Thanks to PPS, we are able to define redundancy of link key candidates and we also introduce a new measure based on the size of partitions for evaluating the quality of the discovered candidates. Finally, the experiments proposed in the last part of this paper provide three main results. Firstly, the redundancy of link keys in real-world datasets appears to be not so significant. Nevertheless, the current link key discovery approach based on PPS is efficient and returns a reduced number of non redundant link key candidates. Moreover, this PPS-based approach returns link keys of very high quality when compared to competitors.

The summary of the paper is as follows. Section 2 presents some basics about link keys. Then the discovery of non-redundant link keys based on pattern structures and partition pattern structures is made precise in Section 3. A running example illustrates all these constructions. New quality measures related to non redundant link keys are defined in Section 4. Finally, experiments in Section 5 show the capability and efficiency of the PPS-based approach in link key discovery.

2. Preliminaries

This section introduces the basic definitions relative to data interlinking with link keys. We recall what an RDF dataset is and then we introduce two forms of link keys, namely link key expressions and link key candidates.

2.1. RDF Data

Definition 1 (RDF Dataset). *Let U denote a set of IRIs, i.e., “Internationalized Resource Identifiers”, B a set of blank nodes, i.e., “anonymous resources”, and L a set of literals, i.e., “string values”.*

An RDF dataset is a set of triples $(s, p, o) \in (U \cup B) \times U \times (U \cup B \cup L)$.

Let D be an RDF dataset, $S(D) = \{s \mid \exists p, o (s, p, o) \in D\}$ denotes the set of individual identifiers, $P(D) = \{p \mid \exists s, o (s, p, o) \in D\}$ the set of property identifiers, and $C(D) = \{c \mid \exists s (s, \text{rdf:type}, c) \in D\}$ the set of class identifiers.

Moreover, $I(c) = \{s \mid \exists s (s, \text{rdf:type}, c) \in D\}$ denotes the set of instances of $c \in C(D)$ while $p(s) = \{o \mid (s, p, o) \in D\}$ denotes the set of objects –or values– associated with s through property p .

An identity link is an RDF triple of the form $(a, \text{owl:sameAs}, b)$ stating that the IRIs a and b are referring to the same entity, alternatively a and b are denoting the same individual.

Example 1. In Figure 1, the RDF datasets D_1 and D_2 include $P(D_1) = \{p_1, p_2, p_3, p_4\}$ and $P(D_2) = \{q_1, q_2, q_3, q_4\}$ as sets of property identifiers, and $C(D_1) = \{c_1\}$ and $C(D_2) = \{c_2\}$ as class identifiers. In addition, $I(c_1) = \{a_1, a_2, a_3, a_4, a_5\}$ and $I(c_2) = \{b_1, b_2, b_3, b_4, b_5\}$ denote respectively the sets of instances of class c_1 and class c_2 . Finally, considering subject b_3 and property q_2 , the related set of objects or the “value” of b_3 for property q_2 is $q_2(b_3) = \{o_8, o_9\}$.

¹The present paper extends a short preliminary version published in [15].

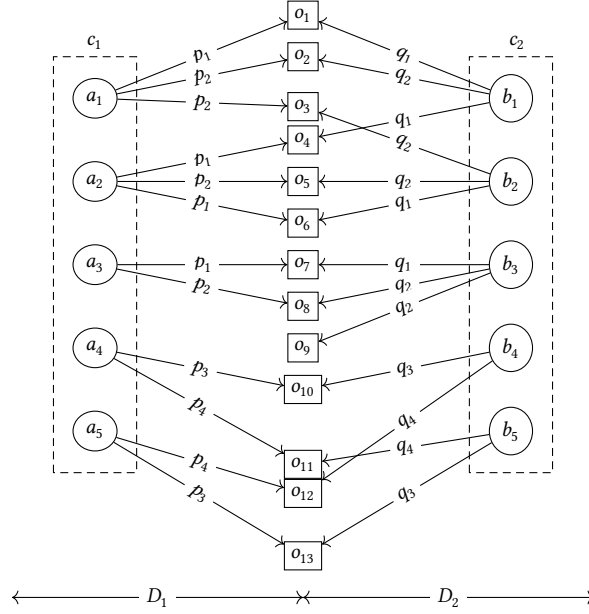


Figure 1: An example of two related RDF datasets. On the left-hand side, the dataset D_1 is populated with instances of class c_1 while on the right-hand side the dataset D_2 is populated with instances of class c_2 .

2.2. Link Keys

Link keys are logical constructions allowing to infer identity links between instances of two classes lying in two RDF datasets. In the following we introduce two syntactic definitions of link keys, namely “link key expressions” and “link key candidates”. A definition of a link key and its semantics using Description Logics interpretation is proposed in [16]. However, in this paper we will stick to these two syntactic definitions for the sake of simplicity.

Intuitively, a *link key expression* $k = (Eq, In, (c_1, c_2))$ is composed of two sets of pairs of properties, i.e., Eq and In , where Eq is based on equality and In on non empty intersection, while links are generated between instances of classes c_1 and c_2 . More formally we have:

Definition 2 (Link key expression). *Let D_1 and D_2 be two RDF datasets, $k = (Eq, In, (c_1, c_2))$ is a link key expression over D_1 and D_2 iff $In \subseteq P(D_1) \times P(D_2)$, $Eq \subseteq In$, $c_1 \in C(D_1)$ and $c_2 \in C(D_2)$.*

The set of links generated by k is denoted by $L(k)$ and includes a set of pairs of instances $(a, b) \in I(c_1) \times I(c_2)$ satisfying:

- (i) *for all $(p, q) \in Eq$, $p(a) = q(b)$ and $p(a) \neq \emptyset$,*
- (ii) *for all $(p, q) \in In \setminus Eq$, $p(a) \cap q(b) \neq \emptyset$.*

The number of link key expressions may be exponential w.r.t. the number of properties. To reduce the search space, algorithms for link key discovery only consider “link key candidates”, i.e., link key expressions which generate at least one link and which are “maximal” among the set of link key expressions.

PS objects (g)	descriptions ($\delta(g)$)
(a_1, b_1)	$\{\exists(p_1, q_1), \exists(p_2, q_2)\}$
(a_1, b_2)	$\{\exists(p_2, q_2)\}$
(a_2, b_1)	$\{\exists(p_1, q_1)\}$
(a_2, b_2)	$\{\exists(p_1, q_1), \exists(p_2, q_2)\}$
(a_3, b_3)	$\{\forall(p_1, q_1), \exists(p_1, q_1), \exists(p_2, q_2)\}$
(a_4, b_4)	$\{\forall(p_3, q_3), \exists(p_3, q_3)\}$
(a_4, b_5)	$\{\forall(p_4, q_4), \exists(p_4, q_4)\}$
(a_5, b_4)	$\{\forall(p_4, q_4), \exists(p_4, q_4)\}$
(a_5, b_5)	$\{\forall(p_3, q_3), \exists(p_3, q_3)\}$

Table 1

The pattern structure related to datasets D_1 and D_2 given in Fig. 1.

Definition 3 (Link key candidate). *A link key expression $k_1 = (Eq_1, In_1, (c_1, c_2))$ is a link key candidate if:*

- (i) $L(k_1) \neq \emptyset$,
- (ii) *there does not exist another link key expression $k_2 = (Eq_2, In_2, (c_1, c_2))$ over D_1 and D_2 such that $Eq_1 \subset Eq_2$, $In_1 \subset In_2$, and $L(k_1) = L(k_2)$.*

For example, consider the expressions k_1 and k_2 :

- (i) $k_1 = (\{(p_1, q_1)\}, \{(p_1, q_1), (p_2, q_2)\}, (c_1, c_2))$,
- (ii) $k_2 = (\{(p_1, q_1)\}, \{(p_1, q_1)\}, (c_1, c_2))$.

The related link sets are $L(k_1) = L(k_2) = \{(a_3, b_3)\}$. Then k_1 and k_2 are both link key expressions but only k_1 is a link key candidate as it is maximal on the link set $\{(a_3, b_3)\}$ while k_2 is not.

The set of link key expressions is denoted by LKE , the set of link key candidates by LKC , and we have that $LKC \subseteq LKE$. The definition of link key candidates is based on the idea of maximality which involves a certain form of closure. This gave rise to a number of papers studying the potential relations existing between Formal Concept Analysis (FCA [12]) and the discovery of link keys [9, 10]. Following the same line, we make precise in the next section two ways of discovering link key candidates based on two extensions of FCA, pattern structures [13, 17] and partition pattern structures [14].

3. From Link Keys to Non Redundant Link Keys

3.1. Discovering Link Keys with Pattern Structures

In this section we shortly recall how pattern structures can be used in the discovery of link keys (details can be read in [11, 18]). For the sake of simplicity and readability, we rely on a motivating example. Then we show how “Partition Pattern Structures” [14, 19] allow to discover the so-called “non-redundant link key candidates” denoted as $NRLKC$.

Example 2. Let us consider the pattern structure $LKPS = (G, (E, \sqcap), \delta)$ displayed in Table 1. All details for building $LKPS$ and the associated pattern concept lattice are given in [11]. In the rows (“PS objects”), G includes pairs of related instances, i.e., (a_i, b_j) with $a_i \in I(c_1)$ and $b_j \in I(c_2)$, which correspond to the objects of $LKPS$. The set of potential descriptions (E, \sqcap) includes all possible pairs of properties preceded either by \forall or \exists . For the sake of simplicity, the \sqcap operator corresponds here to set intersection.

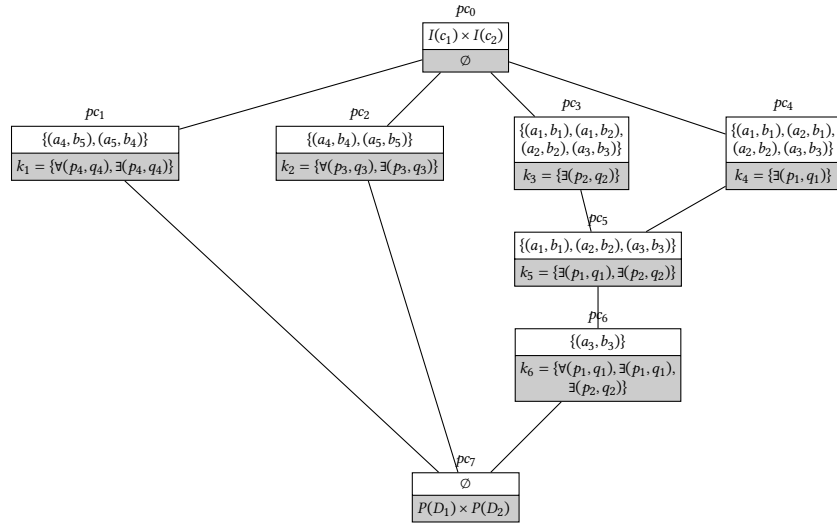


Figure 2: The pattern concept lattice related to Table 1. Every intent in a pattern concept corresponds to a link key candidate.

The mapping δ relates a pair of instances $(a, b) \in I(c_1) \times I(c_2)$ to a description as follows: (i) $\delta(a, b)$ includes $\forall(p, q)$ whenever $p(a) = q(b)$ and $p(a) \neq \emptyset$, (ii) $\delta(a, b)$ includes $\exists(p, q)$ whenever $p(a) \cap q(b) \neq \emptyset$. Actually, such descriptions correspond to link key expressions w.r.t. the pairs of classes (c_1, c_2) . In this work, we only consider the pair of classes c_1 and c_2 , while dealing with several pairs of classes is explained in [11].

Based on Fig. 1, the description of $\delta(a_1, b_1)$ is given by $\{\exists(p_1, q_1), \exists(p_2, q_2)\}$ because $p_1(a_1) \cap q_1(b_1) \neq \emptyset$ and $p_2(a_1) \cap q_2(b_1) \neq \emptyset$, while $\delta(a_2, b_1) = \{\exists(p_1, q_1)\}$ because $p_1(a_2) \cap q_1(b_1) \neq \emptyset$. Then, $\delta(a_1, b_1) \sqcap \delta(a_2, b_1) = \{\exists(p_1, q_1)\}$ and thus $\delta(a_2, b_1) \sqsubseteq \delta(a_1, b_1)$. This can be read in the pattern concept lattice displayed in Fig.2 where the pattern concept pc_5 is subsumed by the pattern concept pc_4 , i.e., the intent $\{\exists(p_1, q_1)\}$ of pc_4 is included in the intent $\{\exists(p_1, q_1), \exists(p_2, q_2)\}$ of pc_5 , while the extent $\{(a_1, b_1), (a_2, b_2), (a_3, b_3)\}$ of pc_5 is included in the extent of pc_4 which is $\{(a_1, b_1), (a_2, b_1), (a_2, b_2), (a_3, b_3)\}$.

In this way, the set of all pattern concepts is organized within the pattern concept lattice in Fig. 2. Moreover, all link key candidates are lying in the intents of the pattern concepts.

3.2. Discovering Non Redundant Link Keys with Partition Pattern Structures

3.2.1. Motivation: sameAs is an Equivalence Relation.

Having a careful look at Fig. 2, one can verify that more compact link keys could be designed. For example, in the extent of pc_3 , $\{(a_1, b_1), (a_1, b_2), (a_2, b_2), (a_3, b_3)\}$, the three first pairs have a non empty intersection when considered in a particular order, i.e., a_1 is shared by $\{(a_1, b_1), (a_1, b_2)\}$ and b_2 is shared by $\{(a_1, b_2), (a_2, b_2)\}$. Actually there exists a potential $owl:sameAs$ –or simply $sameAs$ – relation between the elements in such pairs. Being an equivalence relation, $sameAs$ generates an

equivalence class. Hence, we can “merge” some of these pairs in such an equivalence class. For example (a_1, b_1) and (a_1, b_2) can be merged, i.e., $a_1 \text{ sameAs } b_1$ and $a_1 \text{ sameAs } b_2$ yield $b_1 \text{ sameAs } b_2$ (symmetry and transitivity of *sameAs*). Moreover (a_1, b_2) and (a_2, b_2) can be merged because $a_1 \text{ sameAs } b_2$ and $a_2 \text{ sameAs } b_2$ yield $a_1 \text{ sameAs } a_2$. Finally, from $a_1 \text{ sameAs } a_2$ and $a_1 \text{ sameAs } b_1$ it comes $a_2 \text{ sameAs } b_1$. Then a_1, a_2, b_1, b_2 , are in the same equivalence class w.r.t. *sameAs*.

Two important facts should be noticed: (i) the link $a_2 \text{ sameAs } b_1$, absent in pc_3 but present in pc_4 , is inferred from the extent of pc_3 thanks to the properties of *sameAs* while in the same way $a_1 \text{ sameAs } b_2$ could be inferred in pc_4 , (ii) the equivalence class $\{(a_1, b_1, a_2, b_2)\}$ which can be built in pc_3 and as well in pc_4 , allows us to merge the link keys in pc_3 and pc_4 because they have now the “same extent”. Relying on this observation, we define an equivalence relation over the extents of pattern concepts as follows.

Let us consider two RDF datasets D_1 and D_2 , a link key k , two classes c_1 and c_2 , and the set of instances $I = I(c_1) \cup I(c_2)$. Given x_0 and $x_n \in I$, there exists a *chain* of *sameAs* relations between x_0 and x_n iff there exists a sequence of elements x_1, x_2, \dots, x_{n-1} such that $x_0 \text{ sameAs } x_1, x_1 \text{ sameAs } x_2, \dots, x_{n-1} \text{ sameAs } x_n$ holds, where the symmetry of *sameAs* may be used. Then, we define a relation between x_0 and x_n in I w.r.t. the link key k , denoted as $x_0 \simeq_k x_n$, iff there exists a chain of *sameAs* relations between x_0 and x_n . It can be checked that \simeq_k is an equivalence relation as *sameAs* itself is an equivalence relation. For example, $Ext(pc_3)/\simeq_{\exists(p_2, q_2)} = \{(a_1, b_1, a_2, b_2), (a_3, b_3)\}$ where $Ext(pc_3)$ denotes the extent of pc_3 . In the same way, $Ext(pc_4)/\simeq_{\exists(p_1, q_1)} = \{(a_1, b_1, a_2, b_2), (a_3, b_3)\}$. Then the two link keys $\exists(p_1, q_1)$ and $\exists(p_2, q_2)$ can be “identified” or “merged” because they have the same equivalence classes.

As a consequence, one may obtain more comparable sets of linked elements and thus minimize the number of possible link key candidates. Moreover, it can be noticed that an equivalence class determines a partition within the set of instances under study (singletons if any are omitted here).

3.2.2. The design of a PPS for “Non Redundant Link Keys”.

Hereafter, one main objective is to build a specific pattern structure where concepts are related to unique equivalence classes and yield “non redundant link key candidates” denoted as NRLKC. Here “non redundant” means any two elements in NRLKC are associated with different equivalence classes. In addition, an equivalence class corresponds to a partition of the set of instances. Accordingly, we define a “partition pattern structure” (PPS) based on descriptions which are partitions and used to discover non redundant link key candidates. Indeed, in such a PPS, objects in the rows correspond to pairs of properties and descriptions correspond to partitions. An example of PPS is proposed in [14] where PPS are introduced for mining functional dependencies.

Accordingly, we define a partition pattern structure over classes c_1 and c_2 as a triple $(LKC, (Part(I), \sqcap_{part}), \delta)$ such as:

- LKC is the set of all link key candidates w.r.t. classes c_1 and c_2 which are given by a pattern concept lattice (as displayed in Fig. 2).

PPS objects (k_i)	Descriptions (partitions, $\delta(k_i)$)
$k_1 = \{\exists(p_4, q_4), \forall(p_4, q_4)\}$	$\{(a_4, b_5), (a_5, b_4)\}$
$k_2 = \{\exists(p_3, q_3), \forall(p_3, q_3)\}$	$\{(a_4, b_4), (a_5, b_5)\}$
$k_3 = \{\exists(p_2, q_2)\}$	$\{(a_1, b_1, a_2, b_2), (a_3, b_3)\}$
$k_4 = \{\exists(p_1, q_1)\}$	$\{(a_1, b_1, a_2, b_2), (a_3, b_3)\}$
$k_5 = \{\exists(p_1, q_1), \exists(p_2, q_2)\}$	$\{(a_1, b_1), (a_2, b_2), (a_3, b_3)\}$
$k_6 = \{\forall(p_1, q_1), \exists(p_1, q_1), \exists(p_2, q_2)\}$	$\{(a_3, b_3)\}$

Table 2

The partition pattern structure related to the pattern structure in Table 1 over the classes c_1 and c_2 in datasets D_1 and D_2 .

- $(Part(I), \sqcap_{part})$ is the set of potential descriptions or partitions and \sqcap_{part} is the “meet” of two partitions.
- δ maps a link key candidate k to the partition I / \simeq_k , which is the quotient set of I w.r.t. \simeq_k .

As it can be seen in Table 2, PPS objects are the link key candidates already computed and lying in the intents of the pattern concept lattice. This means that link key candidates will compose PPS-concept extents, while partitions involving elements are declared in the descriptions and thus will compose PPS-concept intents. Moreover, partitions reduced to a singleton are omitted in the descriptions of the PPS objects.

Let us examine a concrete example of PPS based on the pattern structure given in Table 1. For pc_3 , we have $Ext(pc_3) = \{(a_1, b_1), (a_1, b_2), (a_2, b_2), (a_3, b_3)\}$ and $Int(pc_3) = \{\exists(p_2, q_2)\}$. The related partition, $Ext(pc_3) / \simeq_{\exists(p_2, q_2)} = \{(a_1, b_1, a_2, b_2), (a_3, b_3)\}$, where singletons are omitted, is associated with row k_3 ($\{\exists(p_2, q_2)\}$) in Table 2. In the same way, considering pc_4 and $\{\exists(p_1, q_1)\}$, $Ext(pc_4) / \simeq_{\exists(p_1, q_1)}$ is associated with row k_4 ($\{\exists(p_1, q_1)\}$) in Table 2. Moreover, $Ext(pc_4) / \simeq_{\exists(p_1, q_1)} = \{(a_1, b_1, a_2, b_2), (a_3, b_3)\}$ and is equal to $Ext(pc_3) / \simeq_{\exists(p_2, q_2)}$. As already observed, k_3 and k_4 are inducing the same partition and can be “merged”. The other PPS objects, namely k_1 , k_2 , k_5 , and k_6 , are obtained from the corresponding pattern concepts in Fig. 2 in the same way. Finally, the PPS over classes c_1 and c_2 related to the datasets D_1 and D_2 is displayed in Table 2.

The meet –or similarity– operation used to compare the rows in the PPS corresponds to the meet of two partitions $part_1$ and $part_2$ over I and is denoted by $part_1 \sqcap_{part} part_2$. This meet operation is classically defined as the intersection of the respective equivalence classes, also known as the “coarsest common refinement of the two partitions” (see [14]). For example the meet $\delta(k_4) \sqcap_{part} \delta(k_5)$ is given by $\{(a_1, b_1, a_2, b_2), (a_3, b_3)\} \sqcap_{part} \{(a_1, b_1), (a_2, b_2), (a_3, b_3)\}$ which yields the partition $\{(a_1, b_1), (a_2, b_2), (a_3, b_3)\}$. In particular, this means that $\delta(k_4) \sqcap \delta(k_5) = \delta(k_5)$ and thus that $\delta(k_5) \sqsubseteq \delta(k_4)$.

Based on this meet operation, the PPS concept lattice is constructed and shown in Fig. 3. The extent of a PPS concept includes the Eq and the In parts of a link key candidate ($Eq, In, (c_1, c_2)$) in LKC. For example, the intent of $ppsc_6$ is $\{(a_3, b_3)\}$ and its extent is k_6 , i.e., $\{\forall(p_1, q_1), \exists(p_1, q_1), \exists(p_2, q_2)\}$. As all elements in the extents of the PPS concept lattice, k_6 is an element of NRLKC, i.e., a non redundant link key candidate. Moreover, k_6 corresponds to a closed set and thus verifies maximality, and it is non redundant w.r.t. the partition in the associated intent, i.e., no other link key candidate induces the same partition.

3.2.3. Discussion: From LKC to NRLKC.

We now discuss what is gained in relying on pattern structures and then on partition pattern structures. Actually, the discovery of link key candidates (LKC) is based on the construction of the pattern concept lattice. Then the construction of the PPS concept lattice yielding the non redundant link key candidates should be considered as a “refinement” where equivalent link key candidates, i.e., link key candidates inducing the same partition, are merged. For example, both concepts pc_3 and pc_4 in Fig. 2 are merged into a single concept $ppsc_{34}$ in Fig. 3. The resulting PPS concept lattice is of smaller size and more concise as link key candidates in the concept extents are non redundant.

The relations existing between LKC and NRLKC can be characterized as follows. By construction, $\text{NRLKC} \subseteq \text{LKC}$ as the discovery of non redundant link keys is based on LKC, i.e., the link key candidates lying in the intents of concepts in the pattern concept lattice. Then, the candidates which have the same equivalence classes w.r.t. the sameAs relation are merged to produce the non redundant link key candidates in NRLKC. Thus, it comes that $\text{NRLKC} \subseteq \text{LKC}$ and that $|\text{NRLKC}| \leq |\text{LKC}|$ (where $|X|$ denotes the cardinality of set X). In other words, a non redundant link key candidate is always a link key candidate while the converse is not true.

The definition of NRLKC allows us to introduce a new quality measure for evaluating and validating non redundant link key candidates. In the next section we make precise this new quality measure and we discuss the benefits related to the discovery of non redundant link key candidates.

4. Quality Measures for Non Redundant Link Key Candidates

Not all link key candidates are eligible to be final link keys. Some candidates can be too general or related to noise in the data and thus they may generate owl: sameAs links which are not correct or have a bad quality. For example the link key candidate $(\{\}, \{(\text{country}, \text{country})\}, (\text{Person}, \text{Human}))$ states that two individuals (subjects) sharing the same country represent the same person, and this is obviously not true. The candidate $(\{\}, \{(\text{name}, \text{title})\}, (\text{Person}, \text{Book}))$ may be discovered by chance and will generate non correct links as well.

An ideal link key candidate should be “correct” and “complete”, and specific “quality measures” are defined for assessing these properties. In a supervised setting, when a set of reference links is available, the correctness of a link key candidate is measured thanks to “precision” and the completeness thanks to “recall”. In an unsupervised setting as this is the case here, the measures of “coverage” and “discriminability” are defined over the set of links directly generated by a link key candidate [9]. The global quality of a link key candidate is then estimated thanks to the harmonic mean of these two measures.

The *coverage* of a set L of links over c_1 and c_2 is $\text{cov}(L, c_1, c_2) = \frac{|\pi_1(L) \cup \pi_2(L)|}{|I(c_1) \cup I(c_2)|}$ where $\pi_1(L) = \{a | (a, b) \in L\}$ and $\pi_2(L) = \{b | (a, b) \in L\}$.

The *discriminability* of L is $\text{dis}(L) = \frac{\min(|\pi_1(L)|, |\pi_2(L)|)}{|L|}$.

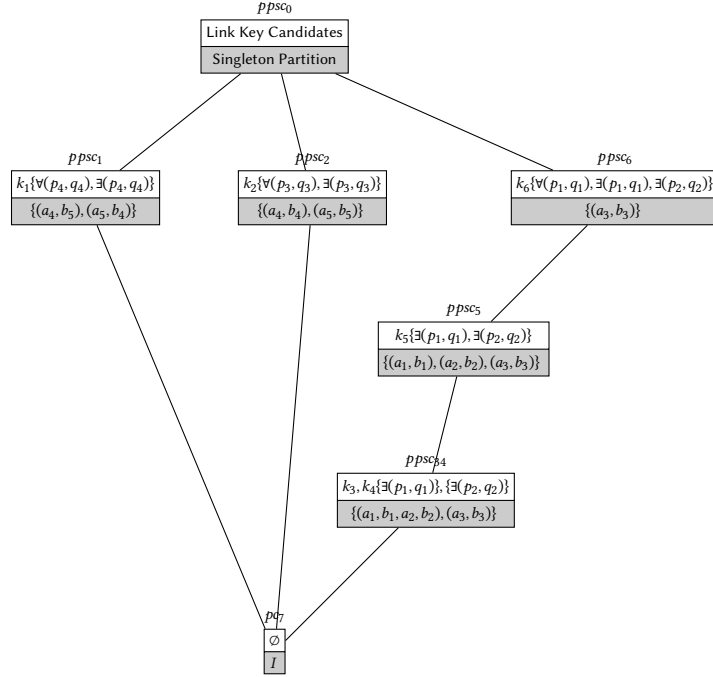


Figure 3: The PPS concept lattice over the partition pattern structure and the pattern concept lattice given in Fig. 2.

Coverage and discriminability evaluate how close a set of links is to a total, respectively bijective, mapping. Coverage is maximum when all instances of the considered classes are linked to at least another instance, while discriminability is maximum when instances are linked to at most one instance.

In the present setting, we are interested in the “redundancy” of link key candidates, and we would like to evaluate the quality of “non redundant” candidates. A link key candidate k is said to be “redundant” in $H \subseteq \text{LKC}$ if there exists another link key candidate $h \in H$ such that $I/\simeq_k = I/\simeq_h$, i.e., k generates the same partition as h . This is the case in the running example for the link key candidates k_3 and k_4 . One main consequence of detecting redundancy is to reduce the number of candidates by merging candidates inducing the same partition. Then, since \simeq_{k_3} and \simeq_{k_4} induce the same partition, k_3 and k_4 are merged into a non redundant link key candidate $k_{34} = \{k_3, k_4\}$ interpreted as “ k_3 or k_4 ”.

Accordingly, we introduce the new quality measure $pSize(k)$ that is compliant with the semantics of `sameAs` and defined w.r.t. the partition associated with the equivalence relation \simeq_k :
 $pSize(k) = |\{x \in I/\simeq_k \mid |x| > 1\}|$ where $I = I(c_1) \cup I(c_2)$ and I/\simeq_k is the quotient set of I w.r.t. \simeq_k .

For example, $pSize(k_3) = pSize(k_4) = |\{(a_1, b_1, a_2, b_2), (a_3, b_3)\}| = 2$. The lower bound of $pSize(k)$ is 1 since k generates at least one link. The upper bound is $\min(|I(c_1)|, |I(c_2)|)$ and this is achieved when k determines a 1-1 mapping. Moreover, $pSize$ can be normalized into $npSize(k) = pSize(k)/|I/\simeq_k|$. Then $npSize(k_3) = 2/6$ as $I/\simeq_{k_3} = \{(a_1, b_1, a_2, b_2), (a_3, b_3), a_4, b_4, a_5, b_5\}$, where this time singletons are counted.

The normalized measure $npSize(k)$ evaluates how close are c_1 and c_2 w.r.t. \approx_k , and is maximal when all instances are linked. However, this is not always satisfactory, especially when the cardinalities of the two classes significantly differ (i.e., classes are not balanced). Then, it is more accurate to maximize the measure as soon as all instances of one class are linked as follows: $sspc(k) = pSize(k) / \min(|I(c_1)/\approx_k|, |I(c_2)/\approx_k|)$ (also known as the “Szymkiewicz–Simpson partition coefficient”). For example, $sspc(k_3) = 2/4$ with:
 $sspc(k_3) = |\{(a_1, b_1, a_2, b_2), (a_3, b_3)\}| / \min(|\{(a_1, a_2), a_3, a_4, a_5\}|, |\{(b_1, b_2), b_3, b_4, b_5\}|)$.

5. Experiments

5.1. Datasets and experimental settings

We run experiments on DB-Yago datasets provided in [20]. These datasets are used by the approaches to which we compare our results in the last series of experiments. They have been rewritten into Terse RDF Triple Language (Turtle) which is a syntax for expressing RDF data [21]. They are derived from DBpedia and Yago and organized into nine tasks. One particular task consists in finding links between instances of a class in DBpedia and instances of a class in Yago, e.g., `db:Actor` and `yago:Actor`. A set of reference links (i.e., `owl:sameAs` links) denoted by L^{ref} is provided for each task. The statistics of DB-Yago datasets are given in Table 3.

Experiments were run on a MacBook Pro 2018 with Intel Core i7-8850H@2,6 GHz, 16GB of RAM. The link key candidates are provided by a tool called LINKEX² in which we have implemented the LKPS algorithm i.e. the link key discovery algorithm based on pattern structures proposed in [11]. A basic text normalization consisting in removing diacritics, tokenizing and sorting the resulting bag of tokens is performed.

5.2. Redundancy of Link Key Candidates is not so Significant

In Table 3, column $|LKC|$ represents the number of link key candidates discovered by LKPS algorithm while column $|NRLKC|$ represents the number of non redundant link key candidates. In most of the tasks, we can observe that $|NRLKC|$ is equal to $|LKC|$, except for the tasks Actor and Film where $|NRLKC|$ is lower than $|LKC|$ by 1% and by 5% respectively. This means that, in general, link key candidates produce different partitions and only a few are redundant. By contrast, if redundancy does not significantly reduce the number of link key candidates, it gives a good idea of the compactness of partitions related to link key candidates.

Nevertheless, even if redundancy is not so significant, we decided to compare the quality of the resulting sets of candidates measured with $pSize$ and the results of competitors, namely keys and conditional keys as they are studied in [20].

5.3. Non Redundant Candidates, Classical Keys and Conditional Keys

The $pSize$ measure is used to evaluate and select the best link key candidates, –in this experiment the link key candidate ranked first– in every task listed in Table 3. Then, we compare recall, precision, and F-measure of the links generated by the best link key candidates selected by

²LINKEX is available online at <https://gitlab.inria.fr/moex/linkex>.

Interlinking task	datasets	triples	subjects	properties	LKC	NRLKC	time
Actor	db:Actor	94 606	5 807	16	2 198	2 177	56s
	yago:Actor	1 029 580	108 415	16			
Album	db:Album	594 144	85 002	5	44	44	28s
	yago:Album	762 238	136 848	5			
Book	db:Book	247 372	29 846	7	82	82	39s
	yago:Book	185 032	41 849	7			
Film	db:Film	1 369 600	82 099	9	18 718	17 643	34m
	yago:Film	1 067 084	123 822	9			
Mountain	db:Mountain	135 442	16 397	5	39	39	5m
	yago:Mountain	233 562	32 874	5			
Museum	db:Museum	15 940	1 826	7	48	48	9s
	yago:Museum	163 342	21 050	7			
Organization	db:Organization	4 487 205	183 665	17	1 425	1 425	57m
	yago:Organization	4 410 854	430 071	17			
Scientist	db:Scientist	128 360	18 409	10	862	862	2m
	yago:Scientist	671 266	92 828	18			
University	db:University	241 838	10 352	9	213	213	56s
	yago:University	263 624	23 334	9			

Table 3

DB-Yago datasets statistics, where |triples| denotes the number of triples in each dataset, |subjects| the number of instances, and |properties| the number of properties.

pSize against interlinking approaches providing classical keys and conditional keys as reported in [20].

In Figure 4 we can observe that: (i) recall of link keys is significantly better than recall of classical and conditional keys, (ii) precision of classical and conditional keys is slightly better than precision of link keys in most of the tasks, (iii) F-measure is much higher for selected link key candidates than for classical and conditional keys.

Link keys have a better recall because they are more flexible than classical keys, i.e., a link key is not necessarily a pair of keys and an instance of class c_1 may be linked to many instances of class c_2 .

For summarizing, it can be concluded that considering the best link key candidates selected by *pSize* will ensure a higher interlinking quality compared to classical and conditional keys. We also observe that the best link key according to discriminability and coverage is the same that the best non redundant link key selected thanks to *pSize*. Actually, the Actor dataset makes an exception: the link key candidate selected with *pSize* obtains an F-measure of 0.95 contrasting the score of 0.34 obtained with coverage and discriminability. In addition, contrasting key-based approaches, link key discovery does not require any prior knowledge such as property or class alignments.

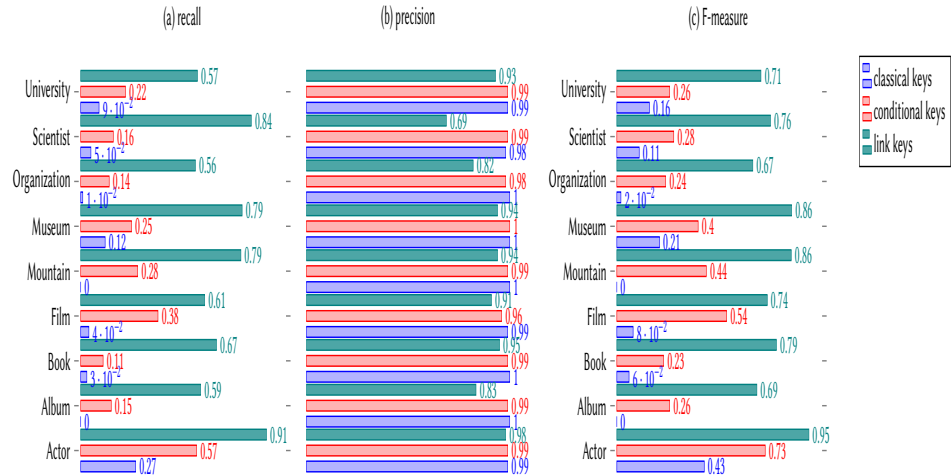


Figure 4: Interlinking performances of classical keys, conditional keys as given in [20] and link keys. Actually a recall of 0 stands for a very small recall close to 0.

6. Synthesis and Conclusion

This paper introduces a formalization of link key discovery based on partition pattern structures (PPS). This approach allows to discover the set $NRLKC$ of link key candidates which are not redundant w.r.t. the $owl:sameAs$ equivalence relation, while still being correct and complete. In addition, new appropriate quality measures are proposed.

Practically, we observe in experiments that the redundancy of link key candidates in public datasets is rather rare. Nevertheless, the experiments and the associated results show that link key based on PPS obtain better F-measure values than two other key-based approaches to data-interlinking.

Among the perspectives, a first one is to consolidate the theory and practice of link key discovery based on PPS introduced and detailed in this paper. A second and very important direction of investigation is related to the discovery of “fuzzy link keys”. We make the hypothesis that the redundancy of link key candidates is rather rare because we are using the crisp equality operator when we are building the link key candidates. Instead, in considering the discovery of link key candidates as depending on a similarity relation, i.e., reflexive and symmetric –also called a tolerance relation– rather than on an equality, then we could propose a formalization of fuzzy link key candidates in the spirit of approximate-matching dependencies as they are studied in [19]. We could also expect much more differences between crisp and fuzzy link key candidates. In addition, a reduction of the size of the concept lattice related to $NRLKC$ could also be investigated thanks to similarities between partitions.

References

- [1] A. Ferrara, A. Nikolov, F. Scharffe, Data Linking for the Semantic Web, International Journal of Semantic Web and Information Systems 7 (2011) 46–76.

- [2] P. Christen, *Data Matching – Concepts and Techniques for Record Linkage, Entity Resolution, and Duplicate Detection*, Springer, 2012.
- [3] M. Nentwig, M. Hartung, A.-C. Ngonga Ngomo, E. Rahm, A survey of current Link Discovery frameworks, *Semantic Web Journal* 8 (2017) 419–436.
- [4] A. N. Ngomo, S. Auer, LIMES – A Time-Efficient Approach for Large-Scale Link Discovery on the Web of Data, in: T. Walsh (Ed.), *Proceedings of the 22nd International Joint Conference on Artificial Intelligence (IJCAI)*, IJCAI/AAAI, 2011, pp. 2312–2317.
- [5] J. Volz, C. Bizer, M. Gaedke, G. Kobilarov, Silk – A Link Discovery Framework for the Web of Data, in: C. Bizer, T. Heath, T. Berners-Lee, K. Idehen (Eds.), *Proceedings of the WWW2009 Workshop on Linked Data on the Web (LDOW)*, CEUR Workshop Proceedings 538, 2009.
- [6] R. Isele, C. Bizer, Active learning of expressive linkage rules using genetic programming, *Journal of web semantics* 23 (2013) 2–15.
- [7] A. N. Ngomo, K. Lyko, EAGLE: Efficient Active Learning of Link Specifications Using Genetic Programming, in: E. Simperl, P. Cimiano, A. Polleres, Ó. Corcho, V. Presutti (Eds.), *Proceedings of the 9th Extended Semantic Web Conference (ESWC)*, Lecture Notes in Computer Science 7295, Springer, 2012, pp. 149–163.
- [8] A. N. Ngomo, K. Lyko, Unsupervised learning of link specifications: deterministic vs. non-deterministic, in: P. Shvaiko, J. Euzenat, K. Srinivas, M. Mao, E. Jiménez-Ruiz (Eds.), *Proceedings of the 8th International Workshop on Ontology Matching (at ISWC)*, CEUR Workshop Proceedings 1111, 2013, pp. 25–36.
- [9] M. Atencia, J. David, J. Euzenat, Data interlinking through robust linkkey extraction, in: *Proceedings of ECAI*, 2014, pp. 15–20.
- [10] M. Atencia, J. David, J. Euzenat, A. Napoli, J. Vizzini, Link key candidate extraction with relational concept analysis, *Discrete applied mathematics* 273 (2020) 2–20.
- [11] N. Abbas, J. David, A. Napoli, Discovery of Link Keys in RDF Data Based on Pattern Structures: Preliminary Steps, in: F. J. Valverde-Albacete, M. Trnecka (Eds.), *Proceedings of the International Conference on Concept Lattices and Their Applications (CLA)*, CEUR Workshop Proceedings 2668, 2020, pp. 235–246.
- [12] B. Ganter, R. Wille, *Formal Concept Analysis: Mathematical Foundations*, Springer, 1999.
- [13] B. Ganter, S. O. Kuznetsov, Pattern Structures and Their Projections, in: H. S. Delugach, G. Stumme (Eds.), *Proceedings of the International Conference on Conceptual Structures (ICCS)*, Lecture Notes in Computer Science 2120, Springer, 2001, pp. 129–142.
- [14] J. Baixeries, M. Kaytoue, A. Napoli, Characterizing functional dependencies in formal concept analysis with pattern structures, *Annals of Mathematics and Artificial Intelligence* 72 (2014) 129–149.
- [15] N. Abbas, A. Bazin, J. David, A. Napoli, Non-Redundant Link Keys in RDF Data: Preliminary Steps, in: *Proceedings of the FCA4AI Workshop at IJCAI*, CEUR Workshop Proceedings 2972, 2021, pp. 125–130.
- [16] M. Atencia, J. David, J. Euzenat, On the relation between keys and link keys for data interlinking, *Semantic Web Journal* 12 (2021) 547–567.
- [17] M. Kaytoue, S. O. Kuznetsov, A. Napoli, S. Duplessis, Mining Gene Expression Data with Pattern Structures in Formal Concept Analysis, *Information Sciences* 181 (2011) 1989–2001.
- [18] N. Abbas, A. Bazin, J. David, A. Napoli, Sandwich: An Algorithm for Discovering Relevant

- Link Keys in an LKPS Concept Lattice, in: A. Braud, A. Buzmakov, T. Hanika, F. L. Ber (Eds.), Proceedings of the 16th International Conference on Formal Concept Analysis (ICFCA), Lecture Notes in Computer Science 12733, Springer, 2021, pp. 243–251.
- [19] J. Baixeries, V. Codocedo, M. Kaytoue, A. Napoli, Characterizing Approximate-Matching Dependencies in Formal Concept Analysis with Pattern Structures, *Discrete Applied Mathematics* 249 (2018) 18–27.
- [20] D. Symeonidou, L. Galárraga, N. Pernelle, F. Saïs, F. M. Suchanek, VICKEY: Mining Conditional Keys on Knowledge Bases, in: Proceedings of 16th International Semantic Web Conference (ISWC), LNCS 10587, Springer, 2017, pp. 661–677.
- [21] D. Beckett, T. Berners-Lee, E. Prud’hommeaux, G. Carothers, RDF 1.1 Turtle, W3C Recommendation, W3C, 2014. <https://www.w3.org/TR/turtle/>.