



HAL
open science

Low power saturation of an ISB transition by a mid-IR quantum cascade laser

Mathieu Jeannin, Eduardo Cosentino, Stefano Pirotta, Mario Malerba,
Giorgio Biasiol, Jean-Michel Manceau, Raffaele Colombelli

► To cite this version:

Mathieu Jeannin, Eduardo Cosentino, Stefano Pirotta, Mario Malerba, Giorgio Biasiol, et al.. Low power saturation of an ISB transition by a mid-IR quantum cascade laser. 2023. hal-03910837v2

HAL Id: hal-03910837

<https://hal.science/hal-03910837v2>

Preprint submitted on 12 Apr 2023 (v2), last revised 26 May 2023 (v3)

HAL is a multi-disciplinary open access archive for the deposit and dissemination of scientific research documents, whether they are published or not. The documents may come from teaching and research institutions in France or abroad, or from public or private research centers.

L'archive ouverte pluridisciplinaire **HAL**, est destinée au dépôt et à la diffusion de documents scientifiques de niveau recherche, publiés ou non, émanant des établissements d'enseignement et de recherche français ou étrangers, des laboratoires publics ou privés.



Distributed under a Creative Commons Attribution 4.0 International License

Low power saturation of an ISB transition by a mid-IR quantum cascade laser

Mathieu Jeannin,¹ Eduardo Cosentino,¹ Stefano Pirota,¹ Mario Malerba,¹ Giorgio Biasiol,² Jean-Michel Manceau,¹ and Raffaele Colombelli¹

¹*Centre de Nanosciences et de Nanotechnologies, CNRS UMR 9001, Université Paris Saclay, 10 Boulevard Thomas Gobert, 91120 Palaiseau*

²*Laboratorio TASC, CNR-IOM, Area Science Park, S.S. 14 km 163.5, Basovizza I-34149 Trieste, Italy*

(*raffaele.colombelli@universite-paris-saclay.fr)

(*mathieu.jeannin@universite-paris-saclay.fr)

(Dated: 12 April 2023)

We demonstrate that absorption saturation of a mid-infrared intersubband transition can be engineered to occur at moderate light intensities of the order of 10-20 kW.cm⁻² and at room temperature. The structure consists of an array of metal-semiconductor-metal patches hosting a judiciously designed 253 nm thick GaAs/AlGaAs semiconductor heterostructure. At low incident intensity the structure operates in the strong light-matter coupling regime and exhibits two absorption peaks at wavelengths close to 8.9 μm. Saturation appears as a transition to the weak coupling regime - and therefore to a single-peaked absorption - when increasing the incident power. Comparison with a coupled mode theory model explains the data and permits to infer the relevant system parameters. When the pump laser is tuned at the cavity frequency, the reflectivity decreases with increasing incident power. When instead the laser is tuned at the polariton frequencies, the reflectivity non-linearly increases with increasing incident power. At those wavelengths the system therefore mimics the behavior of a saturable absorption mirror (SESAM) in the mid-IR range, a technology that is currently missing.

Absorption saturation is one of the simplest non-linear optical process. In the case of interband transitions in semiconductors it relies on Pauli blocking of photoexcited carriers, reducing the ability of the material to absorb light. This saturation process is in general governed by the lifetimes and oscillator strength of the involved transition, and the frequency of the exciting light. Absorption saturation of interband transitions in semiconductor quantum wells (QWs) can be triggered with lasers at moderate powers due to the long exciton lifetimes, which fill up the final states in the conduction band. Conversely, intersubband (ISB) transitions in doped QWs present very short (ps-scale) lifetimes and typical low photon energy of tens or hundreds of meV. Contrary to interband transitions, absorption saturation of ISB transitions does not stem from a filling of the upper state of the transition, but from a depletion of the available carriers in the ground state whose density is fixed by the doping introduced in the structure. These characteristics leads to high saturation intensities, in the sub-MW.cm⁻² range that are only attained with very high power lasers like CO₂ laser¹, OPOs²⁻⁵ or even free electron lasers⁶. These high intensity values are *in principle* not compatible with conventional semiconductor lasers output powers, which has so far limited the application of ISB-based saturable absorbers. Some recent work mention saturation-like behavior of ISB transitions triggered using a simple QCLs, but in that case saturation was considered a drawback for non-linear light generation^{7,8}.

ISB transitions are recognized for being a technological cornerstone in mid-infrared (mid-IR) optoelectron-

ics, with the the invention of the quantum cascade laser⁹ that led to the development of practical mid-IR semiconductor lasers¹⁰. Since then, ISB transitions have contributed to the extension of semiconductor optoelectronic devices to the mid-IR and THz ranges of the electromagnetic spectrum. Examples are the demonstration and commercialization of mid-IR photodetectors¹¹⁻¹⁵, free-space amplitude modulators^{16,17}. As far as mid-IR saturable absorbers are concerned, recent efforts focused on finding new material systems relying e.g. on type II superlattices¹⁸ or two dimensional materials like graphene¹⁹ and transition metal dichalcogenides²⁰ (see e.g. Ref.²¹ for a recent review). Hence, reducing the absorption saturation intensity in ISB devices is technologically appealing as it would allow to exploit the design flexibility of ISB transitions to implement mid-IR saturable absorbers. Demonstrating low-power saturation of an ISB-based devices is therefore an important first step.

In a recent theoretical work, we have developed a unified formalism to describe absorption saturation of ISB transitions coupled to microcavities²². In particular, we have shown that the nature of absorption saturation radically changes in cavity-coupled systems depending on the light-matter interaction regime, quantified by the vacuum Rabi frequency Ω_R :

$$\Omega_R^2 = f_w f_{12} \frac{\Delta n e^2}{4\epsilon\epsilon_0 m^* L_{qw}} \equiv a\Delta n \quad (1)$$

where f_w is the filling fraction of the QWs inside the active region, f_{12} is the transition oscillator strength

hereafter approximated to the infinite square QW limit ($f_{12} = 0.96$), e and m^* are the electron charge and effective mass, ϵ_0 and ϵ are the vacuum permittivity and the semiconductor relative permittivity, L_{qw} is the QW width, and $\Delta n = n_1 - n_2$ is the population difference between the first (n_1) and the second (n_2) electronic levels of the QW. The absorption saturation manifests itself with the collapse of the light-matter coupling as both Δn , and thus Ω_R , tend to zero.

In this work, we experimentally demonstrate that the absorption saturation of mid-IR intersubband transitions can be drastically reduced down to the $\text{kW}\cdot\text{cm}^{-2}$ range. Such low values are compatible with the output power of commercially available quantum cascade lasers (QCL), interband cascade lasers (ICL) and emerging mid-IR fiber lasers^{23,24}. The saturation intensity I_{sat} is defined as the intensity for which the population difference Δn is reduced to half the value of the introduced doping n_s , or - equivalently - the population in the excited level is $n_s/4$:

$$\Delta n_{I_{sat}} = \frac{n_s}{2} \iff n_{2,sat} = \frac{n_s}{4}. \quad (2)$$

To achieve saturation with a low incident intensity, a careful balance has to be found. Following Ref.²², structures with low doping can exhibit low saturation intensities when introduced in a properly designed cavity. However, if the doping is so small that the polariton splitting cannot be resolved, the spectral signature of the saturation is masked by the cavity absorption. Increasing the doping allows to increase the frequency splitting, but leads to a linear increase in saturation intensity as $I_{sat} \propto \Omega_R^2$. The best choice is therefore to operate at the onset of the strong light-matter coupling regime, where a moderate Ω_R allows to spectrally resolve the polariton states while retaining a low I_{sat} . This constitutes a first step towards a unique semiconductor saturable absorber mirror²⁵⁻²⁷ (SESAM) technology that could have great impact for mid-IR lasers.

We have designed a saturable absorber active region composed of seven repetitions of GaAs/Al_{0.33}Ga_{0.67}As QWs (6.5/14 nm, total thickness 253 nm) delta-doped with Si atoms with surface density of $2 \cdot 10^{11} \text{ cm}^{-2}$ (sample HM4448). Additional delta-doping layers on each side of the multi-QW structure are introduced to compensate for Fermi level pinning at the semiconductor-metal interfaces. A reference sample (HM4445) with the same, but undoped, active region has also been fabricated to measure the optical response of the bare cavity. The active region is processed using standard Au-Au thermo-compressive wafer bonding²⁸, selective substrate removal in citric acid and electron beam lithography to fabricate arrays of metal-metal patch cavities as shown in Fig. 1(a). The semiconductor between adjacent Au patches is removed by ICP-RIE using SiCl₄. A self-consistent Schrödinger-Poisson simulation (Fig. 1(b)) shows the conduction band profile and confined electronic states of the QWs, with an energy separation of 138 meV

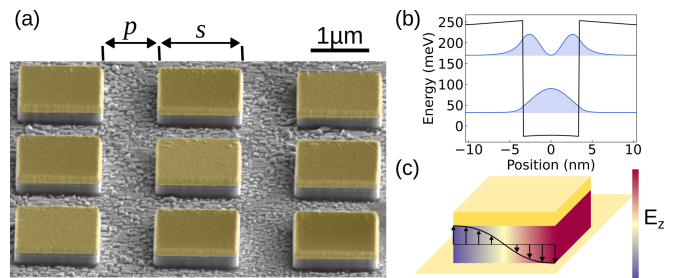


FIG. 1. (a) Colorized SEM image of a typical patch antenna array defining the dimensions s and p . (b) Self-consistent Schrödinger-Poisson simulation of a period of the structure showing the two confined electronic states. (c) Sketch of a single patch antenna with the electric field amplitude of the fundamental TM_{00} mode.

corresponding to a transition wavenumber of 1110 cm^{-1} ($\lambda \approx 9 \mu\text{m}$). The patch cavity size s ranges from $1.25 \mu\text{m}$ to $1.35 \mu\text{m}$ to tune the frequency of the fundamental TM_{00} (Fig. 1(c)) mode across the ISB transition. The distance p between adjacent cavities is fixed at $p = 1 \mu\text{m}$ to operate close to the critical coupling condition, ensuring maximal energy funneling in the system.

The samples are initially characterized in a Fourier-transform infrared (FTIR) spectrometer equipped with a Cassegrain microscope objective, to measure the reflectivity spectrum of each cavity array. The results are shown in Fig. 2(a) for both the undoped QWs sample (purple dashed lines) and the doped QWs sample (blue solid line). The undoped sample exhibits a single absorption dip, corresponding to ohmic dissipation in the cavity. The absorption frequency ω_c decreases with increasing patch size s following the usual relation:

$$\omega_c = \frac{\pi c}{n_{eff} s} \quad (3)$$

where n_{eff} is an effective refractive index. On the contrary, the reflectivity spectra of the doped QWs sample exhibit two absorption dips, on each side of the bare cavity absorption, as highlighted in the inset of Fig. 2. We fit the datasets with Lorentzian absorption lines and report the extracted peak frequencies as a function of patch size s in Fig. 2(b) (open symbols). The two absorption dips in the doped QWs sample exhibit an anti-crossing behavior, characteristic of the strong light-matter coupling regime. The low (resp. high) frequency branch corresponds to the lower (resp. upper) polariton. First, the dispersion relation of the (undoped) cavity is fitted (purple solid line) according to eq. (3), providing $n_{eff} = 3.5$, slightly larger than $n_{GaAs} \approx 3.3$ at these frequencies. This stems from the strong confinement of the electric field between the two metallic plates, together with field leakage and reflection phase at the edges of the cavity. Then, the dispersion relation of the polariton branches is fitted using the following secular equation²⁹:

$$(\omega^2 - \omega_{isb}^2) (\omega^2 - \omega_c^2) = 4\Omega_R^2 \omega_c^2 \quad (4)$$

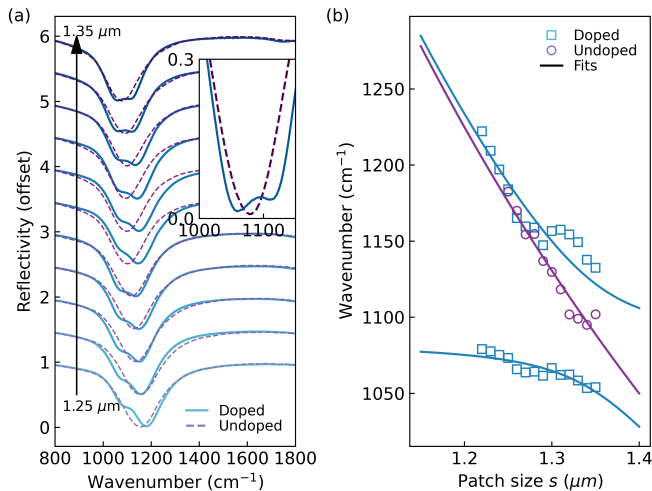


FIG. 2. (a) Reflectivity of the bare cavity arrays (purple dashed line) and of the doped cavity arrays (blue solid lines) as a function of the cavity size. The spectra are offset by 0.5. Inset: zoom on the $s = 1.35 \mu\text{m}$ spectrum around the polariton splitting. (b) Cavity and polaritons dispersion relation as a function of the patch size. The symbols are the experimental data (circles: undoped cavities, squares: doped cavities) extracted from Lorentzian fits of the spectra. The solid lines are fit to eq (3) and eq. (4) respectively.

where ω_{isb} is the intersubband transition frequency and ω_c is the cavity frequency. In the limit of very low excitation, we can replace $\Delta n \approx n_s$ in the expression of the Rabi frequency.

The slight discrepancy between the secular equation (4) and the data can have several causes, e.g. differences in the fabrication of the two samples resulting in actual patch sizes s slightly different between the two samples. To correct for this effect, we assign the cavities sizes by comparing the frequency of their higher order modes (unperturbed by the ISB transition). From the fit we extract a Rabi splitting of $2\Omega_R = 70 \text{ cm}^{-1}$, which is slightly below the minimal splitting of 78 cm^{-1} measured in the $s = 1.35 \mu\text{m}$ cavity case. These values should be compared with the resonance frequency and the cavity/ISB transition linewidths (resp. γ_c^{tot} and γ_{isb}^{tot}), yielding $\frac{\Omega_R}{\omega_{isb}} = 0.04$ and $\frac{2\Omega_R}{\gamma_{c, isb}^{tot}} = 0.65$. The Rabi frequency is only a fraction of the transition frequency, but the Rabi splitting is of the order of the dissipation rates of the system. This places the system *de facto* at the onset of the strong light-matter coupling regime, as we can still resolve the polariton splitting.

We then measure the non-linear reflectivity of the doped QWs array closest to resonance ($s = 1.35 \mu\text{m}$) as a function of the excitation intensity. The reflectivity is probed with a home-built microscope setup using a commercial tunable QCL (Daylight MIRCAT) as a source and a liquid-nitrogen cooled mercury cadmium telluride detector¹⁶. The QCL emission is amplitude modulated at 10 kHz with pulse widths of 500 ns (0.5% duty cycle),

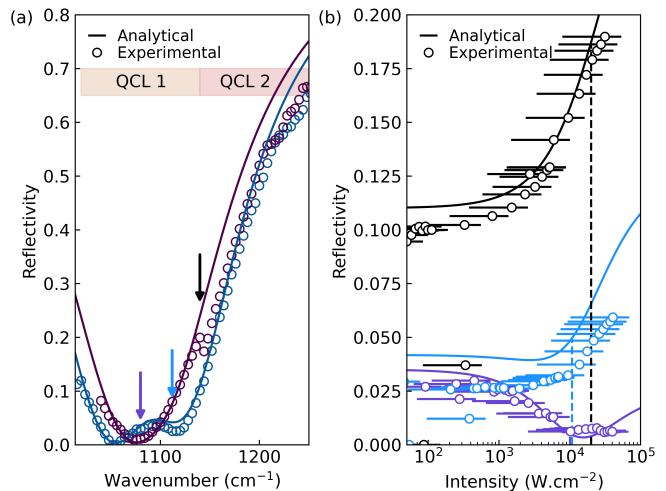


FIG. 3. (a) Reflectivity spectra of the doped $s = 1.35 \mu\text{m}$ cavity array under low (purple circles) and high (blue circles) power excitation. The shaded areas indicate the tuning ranges of the QCL chips. (b) Nonlinear reflectivity of the array as a function of the intensity for three different wavelengths indicated by the arrows in (a). Open symbols correspond to experimental data, and solid lines to the CMT prediction. The vertical dashed lines indicate the saturation condition. The horizontal error bars correspond to uncertainty on the evaluation of the spot size.

and lock-in detection is employed. The incident intensity can be tuned through a half-wave plate and a polarizer, and with the laser injection current (See the Supplementary Material for a complete description). The reflectivity of the patch cavity array is normalized against that of a smooth Au surface. Fig. 3(a) reports the reflectivity spectra of the sample at low power (blue symbols) as well as at the maximum intensity available from the QCL (purple symbols). For low impinging intensity, we retrieve the two absorption dips (inset of Fig. 2(a)) with two polariton states. On the contrary, the high power spectrum displays only one absorption dip, centered between the two polariton states.

We then select three frequencies from the spectrum in Fig. 3(a): The cavity central frequency (1080 cm^{-1} , purple arrow), the upper polariton frequency (1112 cm^{-1} , light blue arrow) and the frequency at which the reflectivity change is the largest (1140 cm^{-1} , black arrow). Note that the latter frequency accidentally lies at the crossover between two QCL chips, hence the small jump in the high power reflectivity spectrum. With the laser tuned at these three frequencies we continuously scan the incident power. The value of the exciting power (in mW) is measured using a thermoelectric detector, and the spot size ($20 \mu\text{m}$ radius at $1/e^2$) is determined with a knife-edge measurement to infer the excitation intensity (in W.cm^{-2}). The results are presented in Fig. 3(b) (open symbols). Pumping within the polariton gap at the cavity frequency leads to a decrease in reflectivity as the transition saturates, and the response of the system

converges to the one of the bare cavity. On the contrary, pumping at the upper polariton frequency or on the high frequency edge of the spectrum leads to a gradual increase in reflectivity.

We use temporal coupled mode theory (CMT) to obtain an analytical expression relating the sample reflectivity (and the population difference Δn) to the incident laser intensity. The ISB transition and the cavity mode are modeled as oscillators with parameters $(\omega_i, \gamma_i, \Gamma_i)$ representing respectively their oscillation frequency, non-radiative, and radiative dampings. In the present case, the radiative coupling of the ISB transition to free-space radiation ($\Gamma_{isb} = 0$) can be neglected^{30,31}. The three equations describing the evolution of the amplitude a_i of each oscillator, as well as the in- and out-coupling equa-

tion of the exciting field s^+ and s^- are thus²²:

$$\frac{da_{isb}}{dt} = (i\omega_{isb} - \gamma_{isb})a_{isb} + i\Omega_R a_c \quad (5)$$

$$\frac{da_c}{dt} = (i\omega_c - \gamma_{nr} - \Gamma_r)a_c + i\Omega_R a_{isb} + \sqrt{2\Gamma_r} s^+ \quad (6)$$

$$s^- = -s^+ + \sqrt{2\Gamma_r} a_c \quad (7)$$

that can be solved in the harmonic regime ($s^+ = e^{i\omega t}$) to express analytically the absorption $\mathcal{A}_{isb} = 2\gamma_{isb} \left| \frac{a_{isb}}{s^+} \right|^2$ solely due to the ISB transition, and the reflectivity $R = \left| \frac{s^-}{s^+} \right|^2$. Assuming (without loss of generality) that the cavity is at resonance with the ISB transition, *i.e.* $\omega_c = \omega_{isb} = \omega_0$, we have:

$$\mathcal{A}_{isb}(\Delta n) = \frac{4\gamma_{isb}\Gamma_r\Omega_R^2}{[(\omega - \omega_0)^2 - \Omega_R^2 - \gamma_{isb}(\gamma_{nr} + \Gamma_r)]^2 + [(\gamma_{nr} + \Gamma_r + \gamma_{isb})(\omega - \omega_0)]^2} \quad (8)$$

$$R(\Delta n) = \frac{[(\omega - \omega_0)^2 - \Omega_R^2 + \gamma_{isb}(\Gamma_r - \gamma_{nr})]^2 + [(\Gamma_r - \gamma_{nr} - \gamma_{isb})(\omega - \omega_0)]^2}{[(\omega - \omega_0)^2 - \Omega_R^2 - \gamma_{isb}(\gamma_{nr} + \Gamma_r)]^2 + [(\gamma_{nr} + \Gamma_r + \gamma_{isb})(\omega - \omega_0)]^2} \quad (9)$$

These expressions directly depend on the population difference Δn through the Rabi frequency (1). We then link the excited state excited population of the ISB transition n_2 in steady-state condition under an incident intensity I using:

$$n_2 = \frac{I}{N_{qw}\hbar\omega} \tau_{12} \mathcal{A}_{isb}(\Delta n) \quad (10)$$

where τ_{12} is the upper state lifetime (of the order of the ps) and N_{qw} is the number of QWs. Inserting eq. (8) in eq. (10) leads - after inversion - to the following intensity-dependent excited state population³²:

$$I = \frac{\hbar\omega N_{qw} n_2}{4\tau_{12}} \frac{\left[\gamma_{isb}(\gamma_{nr} + \Gamma_r) - ((\omega - \omega_0)^2 - a(n_s - 2n_2)) \right]^2 + (\omega - \omega_0)^2 (\gamma_{isb} + \gamma_{nr} + \Gamma_r)^2}{\gamma_{isb}\Gamma_r a(n_s - 2n_2)} \quad (11)$$

where the coefficient a has been defined in eq. (1). Importantly, using (9), this result allows us to establish a correspondence between the incident intensity and the measured non-linear reflectivity variation through the excited state population.

All the experimental results (reflectivity spectra and non-linear reflectivity curves) are fitted by combining eq. (9) and eq. (11) and using a single set of parameters. The results are presented as solid lines in Fig. 3. The total quality factor $Q_c^{tot} = \frac{\omega_c}{\Gamma_r + \gamma_{nr}} = 6$ and the electronic doping $n_s = 2 \cdot 10^{11} \text{cm}^{-2}$ are obtained from the experiment: the former one from the experimental total cavity linewidth of the undoped sample (Fig. 2(a)), and the latter one from the experimental value of the Rabi frequency using eq. (1). The only free parameters are the

ratio between the radiative and non-radiative cavity dissipation rates, and the ISB linewidth γ_{isb} . The fit yields $Q_r = 9.5$ and $Q_{nr} = 13$, and $Q_{isb} = 13$. The analytical results are presented in solid lines in Fig. 3.

The calculations quantitatively reproduce all features of the experimental data. We observe the collapse of the polariton states from the low intensity to the high intensity reflectivity spectra. We also observe the decrease of the non-linear reflectivity as a function of intensity when pumping in the gap, and the increase of the non-linear reflectivity when pumping at the polariton frequency or on the high frequency edge. In particular eq. (11) permits to deduce the excited state population from the non-linear reflectivity curves, an information that cannot be extracted from the sole measure-

ments. This allows us to mark the saturation condition (2), shown in vertical dashed lines in Fig. 3(b). Depending on the pump frequency, saturation is achieved for intensities of 10 kW.cm^{-2} to 20 kW.cm^{-2} .

We now examine the limitations of the model and its agreement to experimental data. A first approximation is made when considering that the ISB transition frequency does not depend on the saturation of the transition. In reality collective effects in confined electron gas renormalize the transition energy through the depolarization shift, according to the following formula:

$$\omega_{isb}^2(\Delta n) = \omega_{isb,0}^2 + \frac{e^2}{4\epsilon\epsilon_0 m^* L_{qw}} \Delta n \quad (12)$$

where the square root of last operand on the right-hand-side is known as the plasma frequency. In mid-IR delta-doped QWs, and at such moderate dopings, the depolarization shift is small³³. The validity of this approximation is gauged *a posteriori* by the quantitative agreement between theory and experimental results.

On the experimental side, we identify two main limitations. The first one is the non-homogeneous excitation of the patch cavity array by the (Gaussian) laser beam: all the cavities probed by the beam actually experience different excitation powers and thus exhibit different reflectivity spectra, possibly resulting in a broadening of the response. The second limitation is the precise determination of the pump spot size. Given the moderate output power of the QCL, a strong focusing is needed to reach high enough intensities. Even when performed with great care, knife-edge measurements of the focal spot size are difficult and can lead to variations in the intensity inferred from the power measurement, as shown by the error bars in Fig. 3(b).

Finally, since the sample is excited using relatively long laser pulses, it is important to estimate the importance of thermal effects in the structure and in particular to estimate whether the observed effect could simply be a manifestation of heating. We report in Supplementary Material an estimation of thermal effects, showing that the nonlinear reflectivity change reported here is indeed due to absorption saturation.

In conclusion, we have demonstrated absorption saturation of an ISB transition at a record low intensity ($10\text{-}20 \text{ kW.cm}^{-2}$) by a judicious engineering of the light-matter coupling, making it compatible with mid-IR semiconductor lasers. The measured non-linear reflectivity properties have validated the analytical model of saturation in weak and strong-coupling regime that we had developed in Ref.²². This result constitutes a first step towards semiconductor saturable absorber mirrors (SESAM) able to cover the mid-IR spectral range. To further improve this system, future work will focus on improving the main figures of merit of the device: saturation intensity, reflectivity contrast, and non-saturable losses. Furthermore, given the fast decoherence times of the order of hundreds of fs³⁴, and the fast population relaxation times of the order of a few ps^{2,3,5,35,36} of ISB transitions

confirmed in recent demonstration of final state stimulation of ISB polaritons³⁷, we expect fast saturation and recovery dynamics on the order of few ps³⁸. We conclude by emphasizing that this approach is in principle intrinsically scalable to the full mid-IR range. ISB transitions in III-V semiconductors are well mastered, and can cover the entire mid-infrared. And the cavity electrodynamic concepts enabling the observed ultra-low power saturation are also fully scalable to other wavelengths. We therefore believe that this experimental demonstration represents the first step towards a robust technology for mid-infrared SESAMs. It could have impact for mid-IR lasers, judging from the success SESAMs had at shorter near-infrared wavelengths²⁵⁻²⁷.

SUPPLEMENTARY MATERIAL

See supplementary material for a complete description of the non-linear reflectivity setup and an estimation of thermal effects in the structure.

DATA AVAILABILITY STATEMENT

The data that support the findings of this study are available from the corresponding author upon reasonable request.

ACKNOWLEDGMENTS

This work was partially supported by the European Union Future and Emerging Technologies (FET) Grant No. 737017 (MIR-BOSE), and by the French National Research Agency: project SOLID (ANR-19-CE24-0003) and IRENA (ANR-17-CE24-0016). This work was done within the C2N micro nanotechnologies platforms and partly supported by the RENATECH network and the General Council of Essonne. M.M. acknowledges support from the Marie Skłodowska Curie Action, Grant Agreement No. 748071. We acknowledge the technical help of the C2N cleanroom staff. We thank Iacopo Carusotto, Ammar Hideur and Adel Bousseksou for scientific discussions, Cristiano Ciuti for granting us access to the Laboratoire Matériaux et Phénomènes Quantiques cleanroom (CNRS UMR 7162, Université Paris-Cité), and Pascal Filloux for assistance in the ICP-RIE etching of the structures.

I. SUPPLEMENTARY - EXPERIMENTAL SETUP

The experimental setup dedicated to the non-linear reflectivity measurement is presented in Fig. 4. The tunable QCL is a MIRCAT from Daylight solutions equipped with two chips emitting from 1024 cm^{-1} to 1140 cm^{-1} (chip 1) and from 1040 cm^{-1} to 1320 cm^{-1} (chip 2), in

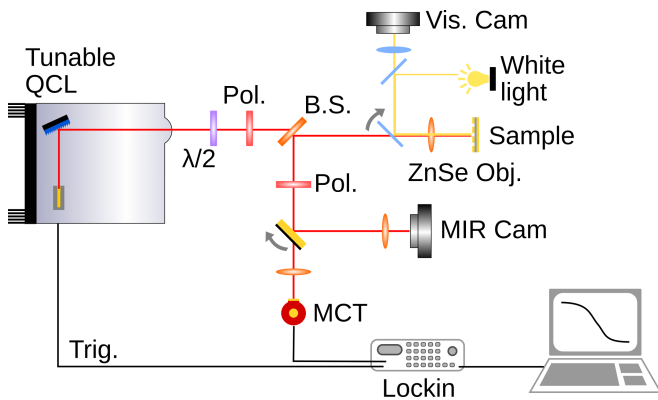


FIG. 4. Experimental setup used for the measurement of non-linear reflectivity. $\lambda/2$: halfwave plate. Pol.: KRS5 wire grid polarizer. B.S.: 3mm thick 90/10 ZnSe beam splitter. MCT: Mercury Cadmium Telluride detector.

an external cavity configuration with a grating as output coupler. The intensity impinging on the sample is controlled by varying either the driving current of the QCL, or by using a combination of halfwave plate and KRS5 wire grid polarizer. Light is focused on the sample through an anti-reflection coated ZnSe objective (Innovation Photonics) with 12 mm focal length. The imaging of the laser spot on the sample is done using a mid-IR microbolometric camera (FLIR Systems). The MCT is a J15D19 model from Judsone Teledyne. The QCL is driven in pulsed mode with a repetition rate of 10 kHz and pulse widths of 500 ns, and the measurement is performed using a lockin detection technique.

II. SUPPLEMENTARY - ESTIMATION OF THERMAL EFFECTS

Since the structure is pumped with a moderately intense laser beam and relatively long pulses, it is important to consider thermal effects. While a comprehensive and detailed thermal analysis of the system is beyond the scope of this work, we provide here and estimate showing that the observed behavior cannot originate from thermal excitation of the carriers.

Using a commercial self-consistent Schrödinger-Poisson solver (NextNano++), we simulate the structure for different temperatures from 300 K to 1000 K. From the simulation, we can extract the occupation of the first two energy levels in the QW, and thus the population difference as a function of the temperature. All these results are reported in Fig. 5. Using the same parameters as the main text for the frequencies, dampings and doping, we plug the simulated variation of $\Delta n(T)$ (Fig. 5(c)) in the CMT model and obtain the expected reflectivity change as a function of the temperature (Fig. 5(d), bottom x -axis). The latter are compared to the experimentally observed variation of the reflectivity as a function of the impinging intensity (top x -axis). One can see that to

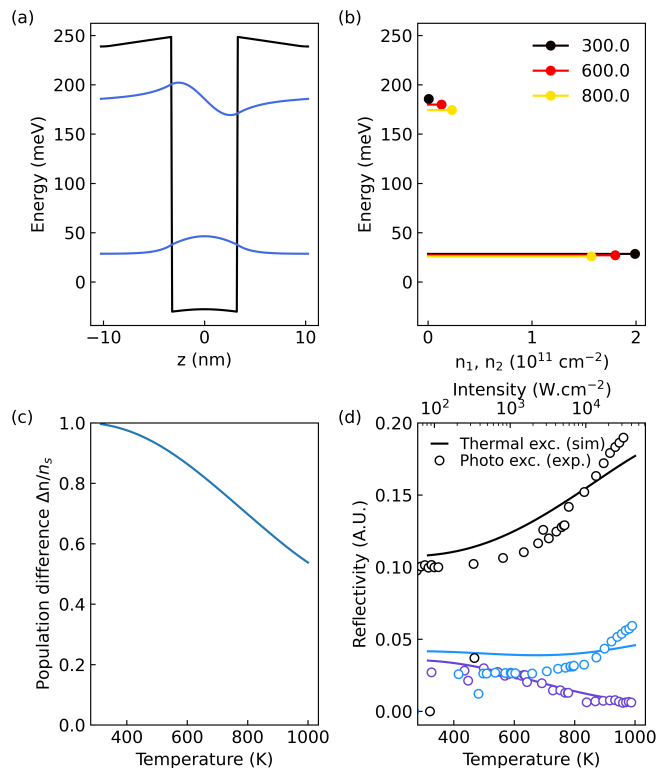


FIG. 5. (a) Band structure of a single QW with the two relevant conduction band states. (b) Occupation (carrier densities in 10^{11} cm^{-2}) of each level for three selected temperatures. (c) Normalized population difference as a function of the temperature. (d) Reflectivity as a function of the temperature obtained from the CMT model (main text) using the thermal variation of the population in (c) as an input.

observe the same level of saturation, the sample temperature should reach above 800 K, which should result in alloying of GaAs and Ti/Au layers and destruction of the sample. We thus estimate that the observed non-linear reflectivity does not originate from thermal effect, and is indeed only based on optical absorption saturation.

- ¹F. H. Julien, J.-M. Lourtioz, N. Herschkorn, D. Delacourt, J. P. Pocholle, M. Papuchon, R. Planel, and G. Le Roux, "Optical saturation of intersubband absorption in GaAs-Al_xGa_{1-x}As quantum wells," *Applied Physics Letters* **53**, 116–118 (1988).
- ²A. Seilmeier, H.-J. Hübner, G. Abstreiter, G. Weimann, and W. Schlapp, "Intersubband relaxation in GaAs-Al_xGa_{1-x}As quantum well structures observed directly by an infrared bleaching technique," *Physical Review Letters* **59**, 1345–1348 (1987).
- ³K. L. Vodopyanov, V. Chazapis, C. C. Phillips, B. Sung, and J. S. Harris, "Intersubband absorption saturation study of narrow III-V multiple quantum wells in the spectral range," *Semiconductor Science and Technology* **12**, 708–714 (1997).
- ⁴S. Zanotto, R. Degl'Innocenti, J.-H. Xu, L. Sorba, A. Tredicucci, and G. Biasiol, "Ultrafast optical bleaching of intersubband cavity polaritons," *Physical Review B* **86**, 201302 (2012).
- ⁵S. A. Mann, N. Nookala, S. C. Johnson, M. Cotrufo, A. Mekawy, J. F. Klem, I. Brener, M. B. Raschke, A. Alù, and M. A. Belkin, "Ultrafast optical switching and power limiting in intersubband polaritonic metasurfaces," *Optica* **8**, 606 (2021).
- ⁶M. Helm, T. Fromherz, B. N. Murdin, C. R. Pidgeon, K. K. Geerinck, N. J. Hovenyer, W. T. Wenckebach, A. F. G. van der

- Meer, and P. W. van Amersfoort, "Complete bleaching of the intersubband absorption in GaAs/AlGaAs quantum wells using a far-infrared free-electron laser," *Applied Physics Letters* **63**, 3315–3317 (1993).
- ⁷J. Lee, M. Tymchenko, C. Argyropoulos, P.-Y. Chen, F. Lu, F. Demmerle, G. Boehm, M.-C. Amann, A. Alù, and M. A. Belkin, "Giant nonlinear response from plasmonic metasurfaces coupled to intersubband transitions," *Nature* **511**, 65–69 (2014).
- ⁸J. S. Gomez-Diaz, M. Tymchenko, J. Lee, M. A. Belkin, and A. Alù, "Nonlinear processes in multi-quantum-well plasmonic metasurfaces: Electromagnetic response, saturation effects, limits, and potentials," *Physical Review B* **92**, 125429 (2015).
- ⁹J. Faist, *Quantum Cascade Lasers* (Oxford University Press, Oxford, 2018).
- ¹⁰A. Baranov and E. Tournié, *Semiconductor Lasers: Fundamentals and Applications* (Elsevier, 2013).
- ¹¹H. Schneider and H. C. Liu, *Quantum Well Infrared Photodetectors: Physics and Applications*, Springer Series in Optical Sciences No. 126 (Springer, Berlin ; New York, 2007).
- ¹²M. Hakl, Q. Lin, S. Lepillet, M. Billet, J.-F. Lampin, S. Pirotta, R. Colombelli, W. Wan, J. C. Cao, H. Li, E. Peytavit, and S. Barbieri, "Ultrafast Quantum-Well Photodetectors Operating at 10 Mm with a Flat Frequency Response up to 70 GHz at Room Temperature," *ACS Photonics* **8**, 464–471 (2021).
- ¹³J. Hillbrand, L. M. Krüger, S. D. Cin, H. Knötig, J. Heidrich, A. M. Andrews, G. Strasser, U. Keller, and B. Schwarz, "High-speed quantum cascade detector characterized with a mid-infrared femtosecond oscillator," *Opt. Express* **29**, 5774–5781 (2021).
- ¹⁴M. Lagrèe, M. Jeannin, G. Quinchar, O. Ouznali, A. Evirgen, V. Trinité, R. Colombelli, and A. Delga, "Direct Polariton-To-Electron Tunneling in Quantum Cascade Detectors Operating in the Strong Light-Matter Coupling Regime," *Physical Review Applied* **17**, 044021 (2022).
- ¹⁵G. Quinchar, C. Mismar, M. Hakl, J. Pereira, Q. Lin, S. Lepillet, V. Trinité, A. Evirgen, E. Peytavit, J. L. Reverchon, J. F. Lampin, S. Barbieri, and A. Delga, "High speed, antenna-enhanced 10.3 μ m quantum cascade detector," *Applied Physics Letters* **120**, 091108 (2022).
- ¹⁶S. Pirotta, N.-L. Tran, A. Jollivet, G. Biasiol, P. Crozat, J.-M. Manceau, A. Bousseksou, and R. Colombelli, "Fast amplitude modulation up to 1.5 GHz of mid-IR free-space beams at room-temperature," *Nature Communications* **12**, 799 (2021).
- ¹⁷H. Dely, T. Bonazzi, G. Spitz, E. Rodriguez, D. Gacemi, Y. Todorov, K. Pantzas, G. Beaudoin, I. Sagnes, L. Li, A. G. Davies, E. H. Linfield, F. Grillot, A. Vasanelli, and C. Sirtori, "10 Gbit s⁻¹ Free Space Data Transmission at 9 Mm Wavelength With Unipolar Quantum Optoelectronics," *Laser & Photonics Reviews*, 2100414 (2021).
- ¹⁸Z. Qin, X. Chai, G. Xie, Z. Xu, Y. Zhou, Q. Wu, J. Li, Z. Wang, Y. Weng, T. Hai, P. Yuan, J. Ma, J. Chen, and L. Qian, "Semiconductor saturable absorber mirror in the 3-5 μ m mid-infrared region," *Optics Letters* **47**, 890 (2022).
- ¹⁹Q. Bao, H. Zhang, Y. Wang, Z. Ni, Y. Yan, Z. X. Shen, K. P. Loh, and D. Y. Tang, "Atomic-layer graphene as a saturable absorber for ultrafast pulsed lasers," *Advanced Functional Materials* **19**, 3077–3083 (2009).
- ²⁰Y. Tan, X. Liu, Z. He, Y. Liu, M. Zhao, H. Zhang, and F. Chen, "Tuning of interlayer coupling in large-area graphene/wse2 van der waals heterostructure via ion irradiation: Optical evidences and photonic applications," *ACS Photonics* **4**, 1531–1538 (2017), <https://doi.org/10.1021/acsp Photonics.7b00296>.
- ²¹G. Liang, X. Yu, X. Hu, B. Qiang, C. Wang, and Q. J. Wang, "Mid-infrared photonics and optoelectronics in 2d materials," *Materials Today* **51**, 294–316 (2021).
- ²²M. Jeannin, J.-M. Manceau, and R. Colombelli, "Unified Description of Saturation and Bistability of Intersubband Transitions in the Weak and Strong Light-Matter Coupling Regimes," *Physical Review Letters* **127**, 187401 (2021).
- ²³R. I. Woodward, M. R. Majewski, and S. D. Jackson, "Mode-locked dysprosium fiber laser: picosecond pulse generation from 2.97 to 3.30 μ m," *APL Photonics* **3**, 116106 (2018).
- ²⁴M. R. Majewski, R. I. Woodward, J.-Y. Carreé, S. Poulain, M. Poulain, and S. D. Jackson, "Emission beyond 4 micron and mid-infrared lasing in a dysprosium-doped indium fluoride (inf3) fiber," *Opt. Lett.* **43**, 1926–1929 (2018).
- ²⁵U. Keller, D. A. B. Miller, G. D. Boyd, T. H. Chiu, J. F. Ferguson, and M. T. Asom, "Solid-state low-loss intracavity saturable absorber for Nd:YLF lasers: An antiresonant semiconductor Fabry–Perot saturable absorber," *Optics Letters* **17**, 505 (1992).
- ²⁶U. Keller, K. Weingarten, F. Kartner, D. Kopf, B. Braun, I. Jung, R. Fluck, C. Honninger, N. Matuschek, and J. Aus der Au, "Semiconductor saturable absorber mirrors (sesam's) for femtosecond to nanosecond pulse generation in solid-state lasers," *IEEE Journal of Selected Topics in Quantum Electronics* **2**, 435–453 (1996).
- ²⁷U. Keller, "Recent developments in compact ultrafast lasers," *Nature* **424**, 831–838 (2003).
- ²⁸J.-M. Manceau, N.-L. Tran, G. Biasiol, T. Laurent, I. Sagnes, G. Beaudoin, S. De Liberato, I. Carusotto, and R. Colombelli, "Resonant intersubband polariton-phonon scattering in an optically pumped polaritonic device," *Applied Physics Letters* **112**, 191106 (2018).
- ²⁹Y. Todorov, A. M. Andrews, R. Colombelli, S. De Liberato, C. Ciuti, P. Klang, G. Strasser, and C. Sirtori, "Ultrastrong Light-Matter Coupling Regime with Polariton Dots," *Physical Review Letters* **105**, 196402 (2010).
- ³⁰F. Alpegiani and L. C. Andreani, "Semiclassical theory of multisubband plasmons: Nonlocal electrodynamics and radiative effects," *Physical Review B* **90** (2014), 10.1103/PhysRevB.90.115311.
- ³¹M. Jeannin, T. Bonazzi, D. Gacemi, A. Vasanelli, L. Li, A. G. Davies, E. Linfield, C. Sirtori, and Y. Todorov, "Absorption Engineering in an Ultrasubwavelength Quantum System," *Nano Letters* **20**, 4430–4436 (2020).
- ³²A. Baas, J. P. Karr, H. Eleuch, and E. Giacobino, "Optical bistability in semiconductor microcavities," *Physical Review A* **69**, 023809 (2004).
- ³³R. Cominotti, H. A. M. Leymann, J. Nespolo, J.-M. Manceau, M. Jeannin, R. Colombelli, and I. Carusotto, "Theory of coherent optical nonlinearities of intersubband transitions in semiconductor quantum wells," arXiv 2109.00285 (2021).
- ³⁴R. A. Kaïndl, K. Reimann, M. Woerner, T. Elsaesser, R. Hey, and K. H. Ploog, "Homogeneous broadening and excitation-induced dephasing of intersubband transitions in a quasi-two-dimensional electron gas," *Physical Review B* **63**, 161308 (2001).
- ³⁵S. Lutgen, R. A. Kaïndl, M. Woerner, T. Elsaesser, A. Hase, and H. Künzel, "Nonlinear intersubband absorption of a hot quasi-two-dimensional electron plasma studied by femtosecond infrared spectroscopy," *Physical Review B* **54**, R17343–R17346 (1996).
- ³⁶S. Lutgen, R. A. Kaïndl, M. Woerner, T. Elsaesser, A. Hase, H. Künzel, M. Gula, D. Meglio, and P. Lugli, "Nonequilibrium Dynamics in a Quasi-Two-Dimensional Electron Plasma after Ultrafast Intersubband Excitation," *Physical Review Letters* **77**, 3657–3660 (1996).
- ³⁷M. Knorr, J. M. Manceau, J. Mornhinweg, J. Nespolo, G. Biasiol, N. L. Tran, M. Malerba, P. Goulain, X. Lafosse, M. Jeannin, M. Stefinger, I. Carusotto, C. Lange, R. Colombelli, and R. Huber, "Intersubband Polariton-Polariton Scattering in a Dispersive Microcavity," *Physical Review Letters* **128**, 247401 (2022).
- ³⁸J. Raab, C. Lange, J. L. Boland, I. Laepple, M. Furthmeier, E. Dardanis, N. Dessmann, L. Li, E. H. Linfield, A. G. Davies, M. S. Vitiello, and R. Huber, "Ultrafast two-dimensional field spectroscopy of terahertz intersubband saturable absorbers," *Optics Express* **27**, 2248 (2019).