



HAL
open science

Axonal Delay Learning: from biology to computational neuroscience

Amélie Gruel, Jean Martinet

► **To cite this version:**

Amélie Gruel, Jean Martinet. Axonal Delay Learning: from biology to computational neuroscience. Journées Ouvertes en Biologie, Informatique et Mathématiques (JOBIM) 2022, Jul 2022, Rennes, France. . hal-03760863

HAL Id: hal-03760863

<https://hal.science/hal-03760863>

Submitted on 13 Oct 2022

HAL is a multi-disciplinary open access archive for the deposit and dissemination of scientific research documents, whether they are published or not. The documents may come from teaching and research institutions in France or abroad, or from public or private research centers.

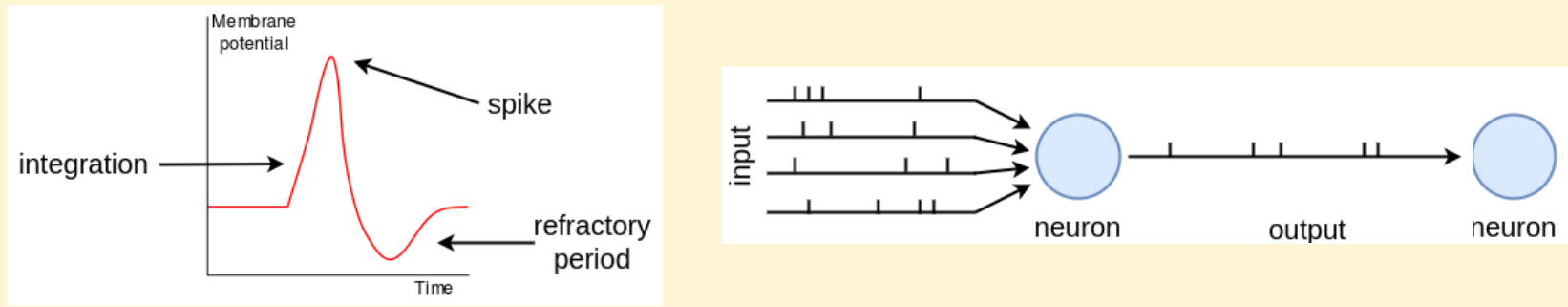
L'archive ouverte pluridisciplinaire **HAL**, est destinée au dépôt et à la diffusion de documents scientifiques de niveau recherche, publiés ou non, émanant des établissements d'enseignement et de recherche français ou étrangers, des laboratoires publics ou privés.

Axonal Delay Learning: from biology to computational neuroscience

Amélie Gruel & Jean Martinet
 Université Côte d'Azur, CNRS, i3S - France

This work was supported by the European Union's ERA-NET CHIST-ERA 2018 research and innovation programme under grant agreement ANR-19-CHR3-0008.

Spiking neural network [Maass, 1997]



Delay learning [Hüning, 1998]

→ updates the delay of the electrical spike journey in the pre-synaptic neuron's axon

First biological observations

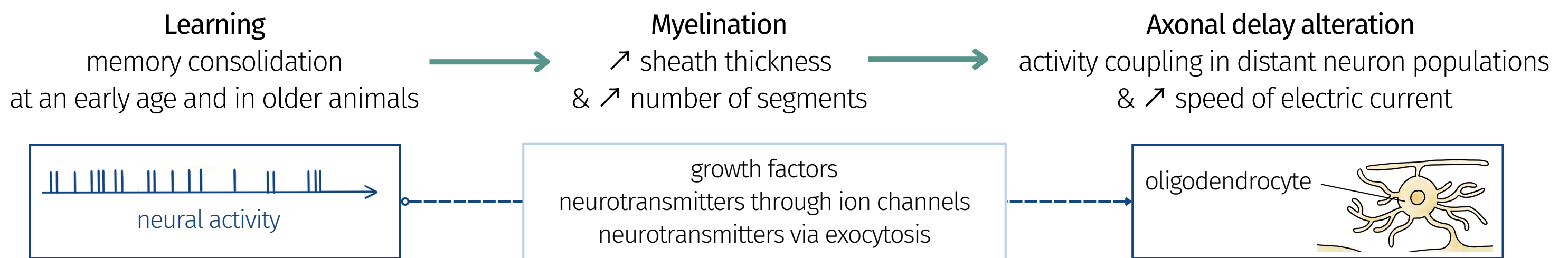
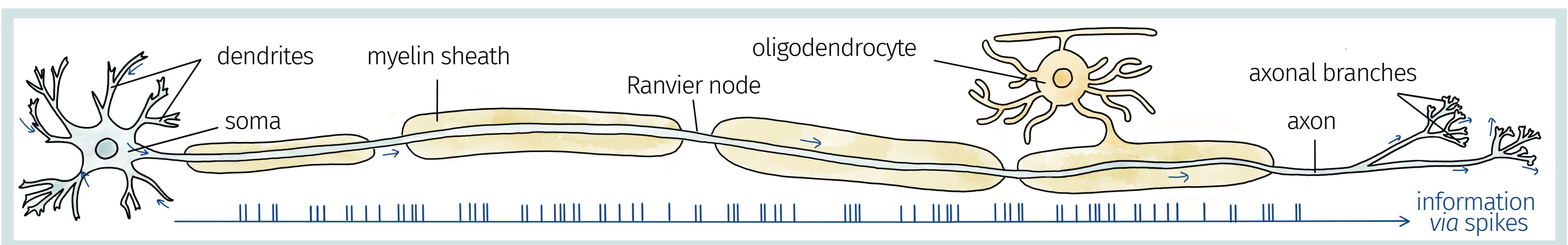
Interaural time difference (ITD)

→ paradox [Gerstner, 1996]
 "Neural networks encode behaviorally relevant signals in the range of a few μ s with neurons that are at least one order of magnitude slower"



The importance of myelination

Myelin facilitates neural circuit function and behavioral performance [Fields, 2015]

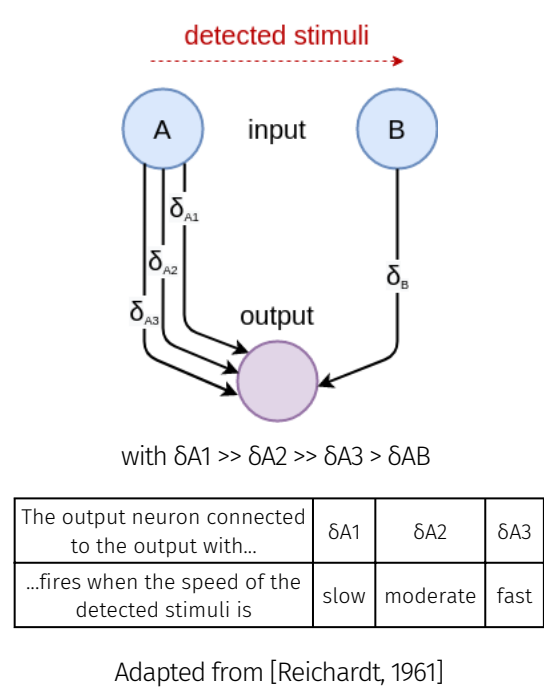
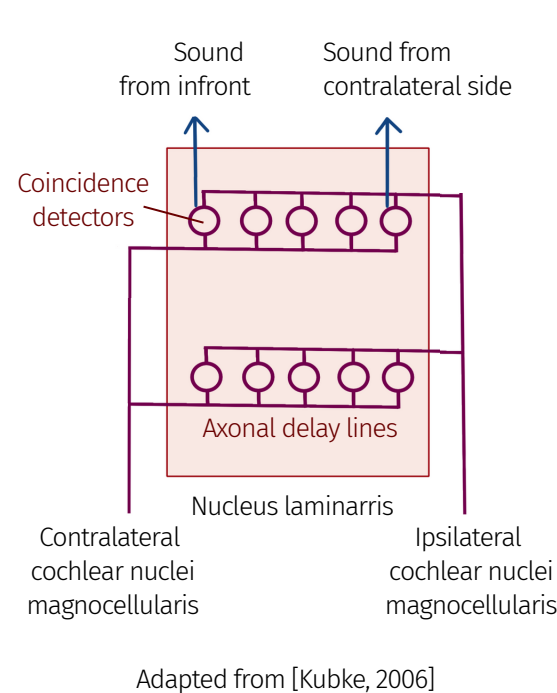


Computational approaches to delay learning

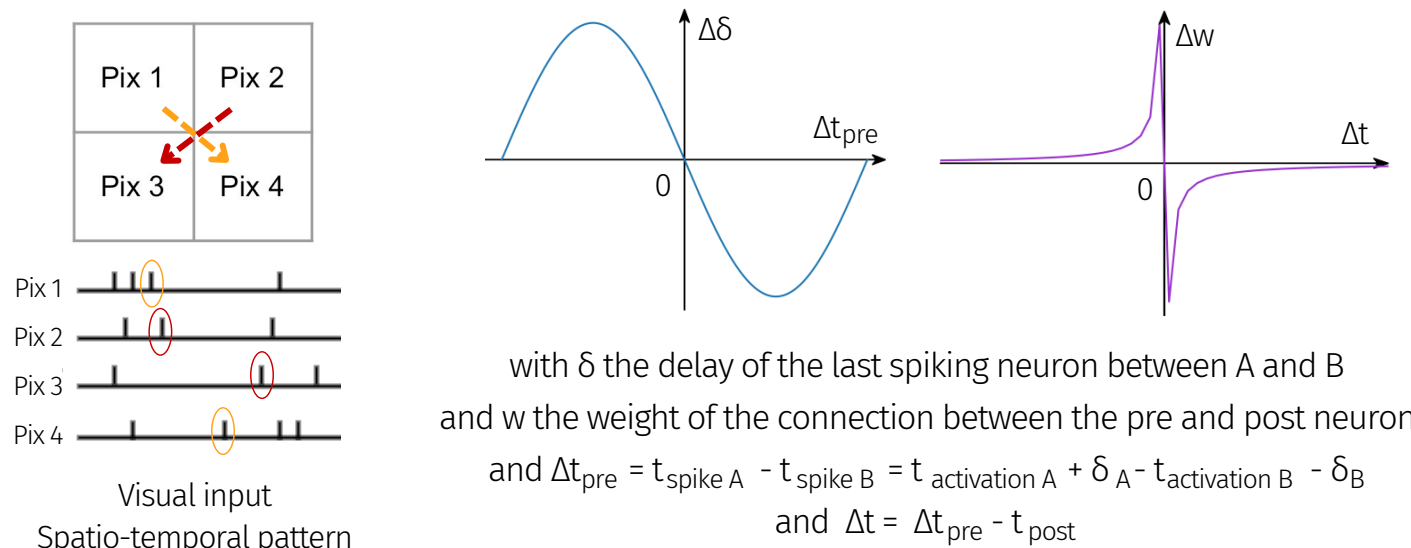
More and more SNN models are being developed with an impetus to learn by updating delays

[Paugam-Moisy, 2008] combines delay learning and polychronisation for reservoir computing, with STDP and supervised delay learning algorithm.
 [Wright, 2012] presents a Spike-Delay-Variance Learning (SDVL) which adapts the shape of the post synaptic profiles according to temporal error.
 [Kerr, 2013] selectively potentiates recurrent connections with different axonal and dendritic delays during oscillation activity.
 [Matsubara, 2017] implements an unsupervised delay learning algorithm adjusting conduction delays and synaptic weights.
 [Nadafian, 2020] proposes an STDP extended to the delay learning of repeated spatio-temporal patterns.

Our goal: implement delay learning for motion detection, drawing on neurological knowledge in order to approach biological efficiency



Proposed approach: combine two learning rules to learn spatio-temporal patterns



with δ the delay of the last spiking neuron between A and B and w the weight of the connection between the pre and post neurons and $\Delta t_{pre} = t_{spike A} - t_{spike B} = t_{activation A} + \delta_A - t_{activation B} - \delta_B$ and $\Delta t = \Delta t_{pre} - t_{post}$

Draw inspiration from ITD ...

... and Reichardt detectors ...

... to learn different visual movements with an adapted spiking learning rule

References Biology & Computer science

[Carr, 2010] C.E. Carr and K.M. MacLeod (2010). Microseconds matter. *PLoS Biology*, 8(6).
 [Fields, 2015] R. Fields (2015). A new mechanism of nervous system plasticity: activity-dependent myelination. *Nature Reviews Neuroscience*.
 [Gerstner, 1996] W. Gerstner, R. Kempter, J.L. van Hemmen and H. Wagner (1996). A neuronal learning rule for sub-millisecond temporal coding. *Nature*.
 [Maass, 1997] W. Maass (1997). Networks of Spiking Neurons: The third generation of neural network models. *Neural Networks*.
 [Hüning, 1998] H. Hüning, H. Glünder, G. Palm (1998). Synaptic delay learning in pulse-coupled neurons. *Neural Computation* 10, 555-565.
 [Kubke, 2006] M.F. Kubke and C.E. Carr (2006). Morphological Variation in the Nucleus Laminaris of Birds. *International Journal of Comparative Psychology* 19(1).

References Delay learning models

[Kerr, 2013] R.R. Kerr et al. (2013). Delay Selection by Spike-Timing-Dependent Plasticity in Recurrent Networks of Spiking Neurons Receiving Oscillatory Inputs. *PLoS Comp. Biol.* 9(2).
 [Matsubara, 2017] T. Matsubara (2017). Spike timing-dependent conduction delay learning model classifying spatio-temporal spike patterns. *IJCNN*.
 [Nadafian, 2020] A. Nadafian and M. Ganjtabesh (2020). Bio-plausible Unsupervised Delay Learning for Extracting Temporal Features in Spiking Neural Networks. *arXiv [cs]*
 [Paugam-Moisy, 2008] H. Paugam-Moisy and R. Martinez (2008). Delay learning and polychronization for reservoir computing. *Neurocomputing*.
 [Reichardt, 1961] Reichardt, W. (1961). Autocorrelation, a principle for the evaluation of sensory information by the central nervous system. *W.A. Rosenblith (ed.), Sens. Comm. MIT Press*.
 [Wright, 2012] P. Wright and J. Wiles (2012). Learning transmission delays in spiking neural networks: A novel approach to sequence learning based on spike delay variance. *IJCNN*.