



HAL
open science

THURSTON'S COMPACTIFICATION VIA GEODESIC CURRENTS: THE CASE OF NON-COMPACT FINITE AREA SURFACES

Marie Trin

► **To cite this version:**

Marie Trin. THURSTON'S COMPACTIFICATION VIA GEODESIC CURRENTS: THE CASE OF NON-COMPACT FINITE AREA SURFACES. 2022. hal-03752634v1

HAL Id: hal-03752634

<https://hal.science/hal-03752634v1>

Preprint submitted on 22 Aug 2022 (v1), last revised 17 May 2023 (v2)

HAL is a multi-disciplinary open access archive for the deposit and dissemination of scientific research documents, whether they are published or not. The documents may come from teaching and research institutions in France or abroad, or from public or private research centers.

L'archive ouverte pluridisciplinaire **HAL**, est destinée au dépôt et à la diffusion de documents scientifiques de niveau recherche, publiés ou non, émanant des établissements d'enseignement et de recherche français ou étrangers, des laboratoires publics ou privés.

THURSTON'S COMPACTIFICATION VIA GEODESIC CURRENTS: THE CASE OF NON-COMPACT FINITE AREA SURFACES

MARIE TRIN

ABSTRACT. In [Bon88], Bonahon gave a construction of Thurston's compactification of Teichmüller space using geodesic currents. His argument only applies in the case of closed surfaces, and there are good reasons for that. We present a variant which applies to surfaces of finite area.

1. INTRODUCTION

The Teichmüller space $\mathcal{T}(S)$ of a surface S of finite topological type, with no boundary and of negative Euler characteristic $\chi(S)$ is the space of isotopy classes of (complete and finite volume) Riemannian metrics on S of constant curvature -1 . Teichmüller space is not compact but Thurston showed in [Thu88] how it can be compactified by the space $\mathbb{P}\mathcal{ML}(S)$ of projective measured laminations on S . The starting point of Thurston's compactification is the embedding of $\mathcal{T}(S)$ into the compact space $\mathbb{P}(\mathbb{R}_+^{\mathfrak{C}(S)})$:

$$\begin{aligned} \ell &: \mathcal{T}(S) &\rightarrow & \mathbb{P}(\mathbb{R}_+^{\mathfrak{C}(S)}) \\ X &\mapsto & \ell_X(\cdot); \end{aligned}$$

Here ℓ_X is the length function associated to the hyperbolic structure X on S and $\mathfrak{C}(S)$ is the set of free homotopy classes of essential closed curves of S . What Thurston did is to identify the boundary of $\mathcal{T}(S)$ in $\mathbb{P}(\mathbb{R}_+^{\mathfrak{C}(S)})$ with $\mathbb{P}\mathcal{ML}(S)$.

Theorem (Thurston's compactification). *If S is a finite analytic type surface with negative Euler characteristic, then the accumulation points of $\mathcal{T}(S)$ in $\mathbb{P}(\mathbb{R}_+^{\mathfrak{C}(S)})$ are the projective classes of functions $\gamma \mapsto i(\lambda, \gamma)$ where $\lambda \in \mathcal{ML}(S)$ is a measured lamination on S .*

Thurston's original proof is explained in [FLP79]. Some versions using real-trees are given by Morgan–Shalen [MS84], Bestvina [Bes01] or Paulin [Pau88]. An overview of the different compactification methods is available in [Pau09] or [Ohs14]. Here, we will be mostly interested in a very elegant argument, for closed surfaces, due to Bonahon [Bon88]. Let's sketch the proof. Recall that geodesic currents are $\pi_1(S)$ -invariant Radon measures on the set of bi-infinite geodesics of the universal cover of S . Bonahon embeds $\mathcal{T}(S)$ into the space $\mathcal{C}(S)$ of geodesic currents of S , sending each element $X \in \mathcal{T}(S)$ of the Teichmüller space to the associated Liouville current $L_X \in \mathcal{C}(S)$. The

Date: August 22, 2022.

Key words and phrases. Teichmüller space, Thurston's compactification, geodesic currents, sequences of random geodesics.

The author is supported by Centre Henri Lebesgue, program ANR-11-LABX-0020-0 and Région Bretagne.

Liouville current satisfies two important properties:

$$(1.1) \quad i(L_X, \gamma) = \ell_X(\gamma) \quad \text{for every essential closed curve } \gamma, \text{ and}$$

$$(1.2) \quad i(L_X, L_X) = \pi^2 |\chi(S)|.$$

Here, $i : \mathcal{C}(S) \times \mathcal{C}(S) \rightarrow \mathbb{R}_+$ is the intersection form, a continuous bilinear map extending the usual geometric intersection number between curves. Compactness of S implies compactness of the space $\mathbb{P}\mathcal{C}(S)$ of projective currents. It follows that each sequence $(X_n)_{n \in \mathbb{N}}$ in Teichmüller space admits a subsequence, say the whole sequence, which projectively converges to a non-zero current μ , meaning that there are positive reals ε_n such that $\lim_{n \rightarrow \infty} \varepsilon_n L_{X_n} = \mu$. The continuity of i and property (1.1) ensure that the length functions $\ell_{X_n}(\cdot)$ converge projectively to $i(\mu, \cdot)$. Moreover, ε_n tends to zero unless X_n converges in $\mathcal{T}(S)$. Knowing that $\varepsilon_n \xrightarrow[n \rightarrow \infty]{} 0$, property (1.2) ensures that $i(\mu, \mu) = 0$, meaning that μ is a measured lamination, as we needed to prove.

We stress that Bonahon's argument, with all its simplicity, only applies to closed surfaces. We will come back later to this specificity and to the obstructions to a direct extension of his argument. Recently, Bonahon and Šarić have given another proof of this theorem using geodesic currents. The arguments in [BŠ21] are geared to infinite type surfaces, it is worth to notice that working in such a general context implies the lost of the simplicity of Bonahon's original proof.

Our goal here is to adapt Bonahon's original argument to be able to deal with non-compact surfaces of finite analytic type .

Let's look at the difficulties that prevent the extension of Bonahon's proof to the non-compact case. The intersection form, especially its continuity, is the linchpin of Bonahon's original proof. However, continuity fails when the surface is not compact, even if it has finite area (see [Sas20] or Example 2.1 below). We will therefore change our point of view to allow us to benefit from the continuity of i . We will consider currents on Σ instead of S , where Σ is a compact hyperbolic surface with geodesic boundary whose interior is homeomorphic to S , that is $S = \Sigma \setminus \partial\Sigma$. The second key ingredient of Bonahon's proof is the existence of the Liouville current but, as we will see, when working with currents on Σ we lost the Liouville current.

Proposition 2.2. *Let Σ be a compact hyperbolic surface with boundary and X a hyperbolic structure on $S = \Sigma \setminus \partial\Sigma$. There is no current L_X on Σ which satisfies $i(L_X, \gamma) = \ell_X(\gamma)$ for every essential closed curve $\gamma \in \mathcal{C}(\Sigma)$.*

In order to recover a version of properties (1.1) and (1.2), we will, for every hyperbolic structure X on S , replace the Liouville current L_X by specific sequences of random geodesics $(\gamma_n^{(X)})_{n \in \mathbb{N}}$, that is sequences of essential closed geodesics whose associated probability measures in T^1X converge to the Liouville measure with respect to the weak-* topology. They will be chosen to satisfy (1.1) and (1.2) asymptotically, that is:

$$(1.3) \quad \lim_{n \rightarrow \infty} i \left(\frac{\gamma_n}{\ell_X(\gamma_n)}, \gamma \right) = \frac{\ell_X(\gamma)}{\pi^2 |\chi(S)|} \quad \text{for every essential closed curve } \gamma, \text{ and}$$

$$(1.4) \quad \lim_{n \rightarrow \infty} i \left(\frac{\gamma_n}{\ell_X(\gamma_n)}, \frac{\gamma_n}{\ell_X(\gamma_n)} \right) = \frac{1}{\pi^2 |\chi(S)|}.$$

As discussed in [ES22], any sequence of random geodesics $(\gamma_n)_{n \in \mathbb{N}}$ satisfies (1.3). Moreover, if the surface is compact then (1.4) is ensured for every sequence of random geodesics. However, for a non-compact surface, arbitrary sequences of random geodesics do not necessarily satisfy (1.4), see Example 3.2 below. Indeed, a large part of this article will be dedicated to built sequences of random geodesics satisfying this property for non-compact surfaces.

Theorem 1.1. *For every hyperbolic structure X on a finite analytic type surface S of negative Euler characteristic $\chi(S)$, there is a sequence $(\gamma_N^{(X)})_{N \in \mathbb{N}}$ of random geodesics such that :*

$$\lim_{n \rightarrow \infty} i \left(\frac{\gamma_N^{(X)}}{\ell_X(\gamma_N^{(X)})}, \frac{\gamma_N^{(X)}}{\ell_X(\gamma_N^{(X)})} \right) = \frac{1}{\pi^2 |\chi(S)|}.$$

Theorem 1.1 is actually part to a more technical result, Theorem 3.5, that we will prove in section 3. The main additional content of Theorem 3.5 is to ensure that the convergence rates in (1.3) and (1.4) hold with no dependance on the structure X . This uniformity will be important to achieve the proof of Thurston's compactification in section 4.

Acknowledgements. I am grateful to Juan Souto for our discussions and for all his suggestions about this paper. I also want to thank the PhD students of the IRMAR in ergodic theory for our debates on hyperbolic geometry, and Barbara Schapira for her help with computations. I would also like to thank Jing Tao for the time she gave me, her advices and her comments on my work.

2. PRELIMINARIES

In this section, we give some technical results and definitions. We refer the reader to [Bon88], [Bon86] and [ES22] for details. From now on, let S be a non-compact surface of finite analytic type, with negative Euler characteristic $\chi = \chi(S) < 0$. We denote by $X, X', X_n \dots$ points in the Teichmüller space of S , or maybe just the underlying hyperbolic structure. Moreover, we will write Z to refer indifferently to any finite area hyperbolic surface, possibly with punctures or with geodesic boundaries. If S is endowed with a hyperbolic structure X then every free homotopy class of essential closed curves contains a unique geodesic representative, so we identify a class with its geodesic representative when the hyperbolic structure is fixed. We will denote by $\mathfrak{C}(S)$ the set of free homotopy classes of essential closed curves or equivalently the set of essential closed geodesics. Let also Σ be a compact hyperbolic surface with geodesic boundary whose interior is homeomorphic to S . We fixe a homeomorphism between S and $\Sigma \setminus \partial\Sigma$. This homeomorphism immediately induces a correspondance between the essential closed curves of S and the ones of Σ , that is

$$(2.1) \quad \mathfrak{C}(S) = \mathfrak{C}(\Sigma).$$

The homeomorphism $S = \Sigma \setminus \partial\Sigma$ also gives an identification between measured laminations of S and the ones of Σ supported by $\Sigma \setminus \partial\Sigma$:

$$(2.2) \quad \mathcal{ML}(S) = \{\lambda \in \mathcal{ML}(\Sigma) | \lambda \text{ supported by } \Sigma \setminus \partial\Sigma\}.$$

The identifications (2.1) and (2.2) will allow us to work on Σ rather than on S .

Currents on surfaces. We recall now a few properties of currents that we will need in the following. A *geodesic current* on Z is a $\pi_1(Z)$ -invariant Radon measure on the set of bi-infinite geodesics on the universal cover \tilde{Z} of Z . The space $\mathcal{C}(Z)$ of geodesic currents on Z was introduced by Bonahon in [Bon86] and is endowed with the weak-* topology. For more information on currents we refer to [Bon86], [Bon88], [AL10] and, [ES22].

The currents we will be mainly interested in are weighted multicurves and measured laminations and we will always consider currents on the compact surface Σ . An advantage of doing so is that when Z is compact, the topological space $\mathcal{C}(Z)$ is locally compact, and the associated projective space $\mathbb{P}\mathcal{C}(Z) = \mathbb{R}_+ \backslash \mathcal{C}(Z) \setminus \{0\}$ is compact. Moreover, in the compact case, the geometric intersection number between curves extends to a continuous bilinear map $i : \mathcal{C}(Z) \times \mathcal{C}(Z) \rightarrow \mathbb{R}_+$. It will be important later on to know that this form gives us a characterisation of the measured laminations as being the currents $\mu \in \mathcal{C}(Z)$ satisfying $i(\mu, \mu) = 0$. We can also notice that the boundary curves are characterised by a zero intersection form with every current. As mentioned earlier, the reason why we want to work with the currents on the compact surface Σ , rather than with the currents on S , is that the continuity of the intersection number fails in the latter case.

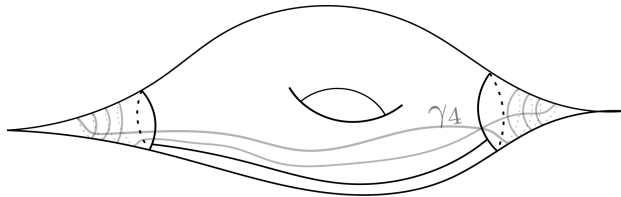


FIGURE 1. Obstruction to the continuity of i

Example 2.1 (Non-continuity of the intersection form in the non-compact case). *Take a hyperbolic surface with at least two cusps, fix an embedded horocycle around each of them, and a simple geodesic arc between those curves. Note that this arc is part of a cusps-to-cusps geodesic arc γ . Consider a sequence of closed curves $(\gamma_n)_{n \in \mathbb{N}}$, where γ_n is the geodesic homotopic to the closed curve which runs the geodesic arc mentioned above, turns n times around the first cusp following the fixed horocycle, goes back along the geodesic arc and turns n times around the second cusp as in Fig. 1. The self-intersection number of such a sequence is going to grow without bound. On the other hand, it approaches the weight 2 current associated to γ which has 0 self-intersection number.*

See [Sas20] for a more detailed discussion on the obstruction to a continuous extension of the intersection number on the space of currents in the non-compact surfaces.

Example 2.1 shows that there is no continuous extension of the intersection number for currents on S — it is the reason why we chose to work with currents on the compact surface Σ instead of the currents on $S = \Sigma \setminus \partial\Sigma$. This solves the problem of continuity of $i(\cdot, \cdot)$ but raises a new problem: we won't be able to consider the Liouville current anymore.

Proposition 2.2. *Let Σ be a compact hyperbolic surface with boundary and X a hyperbolic structure on $S = \Sigma \setminus \partial\Sigma$. There is no current L_X on Σ which satisfies $i(L_X, \gamma) = \ell_X(\gamma)$ for every essential closed curve $\gamma \in \mathcal{C}(\Sigma)$.*

Proof. In Σ , if γ is a closed geodesic and μ a weighted multicurve we have

$$(2.3) \quad i(\gamma, \mu) = \min\{\#\{\gamma' \cap \mu\} \mid \gamma' \text{ piecewise geodesic homotopic to } \gamma \text{ in } \mu\text{-general position}\},$$

where a piecewise geodesic is in μ -general position if the set of geodesics passing through the corners has vanishing μ measure.

The weighted multicurves are dense in $\mathcal{C}(\Sigma)$ and geodesic arcs could be seen as currents thus (2.3) extends for $\mu \in \mathcal{C}(\Sigma)$.

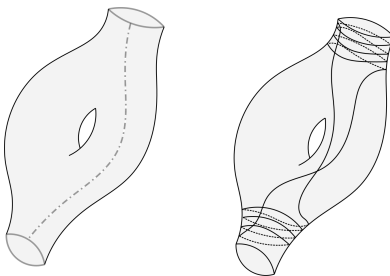


FIGURE 2. Obstruction to the existence of the Liouville current

Let b_1 and b_2 be two boundary components of Σ , maybe the same, and let γ be a geodesic arc joining them. For every k , we define γ_k as the unique closed geodesic homotopic to the piecewise geodesic which follows γ , turns k times around b_1 , follows back γ and turns k times around b_2 . By (2.3), for any current $\mu \in \mathcal{C}(\Sigma)$ we have

$$i(\gamma_k, \mu) \leq ki(b_1, \mu) + ki(b_2, \mu) + 2i(\gamma, \mu) = 2i(\gamma, \mu).$$

However, $\lim_{k \rightarrow \infty} \ell_X(\gamma_k) = \infty$ for any hyperbolic structure X on S . □

Cusps neighborhoods and intersection number. Everything in the next section relies on a good understanding of the behaviour of geodesics into cusp neighborhoods, by which we mean neighborhoods bounded by horospheres. More precisely, if X is a hyperbolic structure on S then we denote by H_k^i the embedded horosphere of length $1/k$ around the i -th cusp. The horosphere H_k^i bounds the horoball B_k^i of area $1/k$. We will refer to H_k^i and B_k^i as the horosphere and horoball of depth k . We also set X^k the compact core of X bounded by the horospheres H_k^i and \mathcal{B}^k its complement:

$$(2.4) \quad X^k = X \setminus \bigcup_i B_k^i, \quad \mathcal{B}^k = \bigcup_i B_k^i.$$

There is a direct link between the number of times a curve turns around a cusp and the depth it reaches [BPT20, Prop 3.4]. It follows that every curve that goes deep into a cusp has a large self-intersection number. To make this link more clear we recall a notion introduced in [ES22]: the *peripheral self-intersection number*.

Definition 2.3. Let Z be a hyperbolic surface (compact or not) and recall that a peripheral subgroup of $\pi_1(Z)$ is nothing other than a cyclic subgroup generated by a non-essential closed curve. The **peripheral self-intersection number** $i_{per}(\gamma, \gamma)$ of $\gamma \in \mathfrak{C}(Z)$ is the supremum over all maximal peripheral subgroups $G \subset \pi_1(Z)$ of the maximal number of times that the image of a lift $\tilde{\gamma}$ of γ under $\tilde{Z} \rightarrow G \backslash \tilde{Z}$ meets itself transversely.

The peripheral self-intersection number is a topological invariant. It is thus independent of the metric on S , or more specifically, whether one considers the curves on S or on Σ . Moreover, for every compact subset K of $Z \setminus \partial Z$ there is an upper bound for the peripheral self-intersection number of the closed geodesics contained in K . Conversely, for every $N > 0$ there is a compact subset K_N of $Z \setminus \partial Z$ that contains all the geodesics γ with $i_{per}(\gamma, \gamma) \leq N$ [ES22, Lem 2.7]. In the absence of boundary, one can easily quantify this property.

Lemma 2.4. Let X be a non-compact finite topological type surface with no boundary, and γ be an essential closed curve on X , this curve has support on X^k if and only if $i_{per}(\gamma, \gamma) \leq 4k$.

Proof. If we think of the curves of $\pi_1(X)$ as deck transformations then a peripheral subgroup of $\pi_1(X)$ is a subgroup generated by a parabolic element. Let's study a given cusp C_i , we can assume that the correspondence between \tilde{X} and \mathbb{H}^2 is such that an associated maximal parabolic element is $z \mapsto z + 1$. In that case, H_k^i lifts to the horizontal line $\{\Im(z) = k\}$ and if γ is a closed geodesic of X then the number of times that the image of a lift $\tilde{\gamma}$ under $\tilde{X} \rightarrow \langle z \mapsto z + 1 \rangle \backslash \tilde{X}$ meets itself transversely is $\#\{n \in \mathbb{Z} \setminus \{0\} \mid \tilde{\gamma} \cap (\tilde{\gamma} + n) \neq \emptyset\}$. However, γ stays in X^k around C_i , if and only if its lifts stay below the line $\{\Im(z) = k\}$, if and only if its lifts are half circles of radius at most k . Such a geodesic of \mathbb{H}^2 meets at most $4k$ translations of itself ($n = \pm 1, \pm 2, \dots, \pm 2k$). The same process applies for every cusps and then to every maximal parabolic subgroup and we obtain the lemma. \square

3. CONSTRUCTION OF CONTROLLED SEQUENCES OF RANDOM GEODESICS

In this section we prove that for all non-compact hyperbolic surfaces of finite volume with no boundary there are sequences of random geodesics satisfying (1.4). However, we will first see with Example 3.2 that in the non-compact case not all the sequences of random geodesics have this property.

Sequences of random geodesics. As we saw in Proposition 2.2, the Liouville current does not exist anymore in our setting. However, for every (complete and finite volume) hyperbolic structure X on S the Liouville measure on T^1X still exists. Recall that the *Liouville measure* L_X is the measure on the unit tangent bundle T^1X , obtained by pushing forward the Haar measure on $\mathrm{PSL}_2(\mathbb{R})$ and normalized so that $L_X(T^1X) = 2\pi \mathrm{vol}_X(S) = 4\pi^2 |\chi(S)|$. We are going to consider geodesics approximating the Liouville measure in the following sense.

Definition 3.1. A sequence $(\gamma_n)_{n \in \mathbb{N}}$ of essential closed geodesics on X is a **sequence of random geodesics** if the associated probability measures converge to L_X with respect to the weak-* topology,

meaning that:

$$\int_{T^1X} f \frac{d\gamma_n}{\ell_X(\gamma_n)} \xrightarrow{n \rightarrow +\infty} \int_{T^1X} f \frac{dL_X}{4\pi^2|\chi(S)|},$$

for every $f \in C_c^0(T^1X)$ continuous and compactly supported function on T^1X . We will generally use the notation $\hat{\gamma}$ for the renormalisation $\frac{\gamma}{\ell_X(\gamma)}$.

The Birkhoff ergodic theorem, together with the ergodicity of the geodesic flow, implies the existence of such sequences of geodesics. We refer to [ES22] for some facts about sequences of random geodesics that we will use here.

The construction of the Liouville measure ensures that for a compact subsurface K of X we have $L_X(T^1K) = 2\pi \text{vol}_X(K)$. Then, if the boundary of K is smooth, the Portmanteau Theorem implies that for every sequence of random geodesics $(\gamma_n)_{n \in \mathbb{N}}$ we have

$$\frac{\ell_X(\gamma_n \cap K)}{\ell_X(\gamma_n)} \xrightarrow{n \rightarrow +\infty} \frac{\text{vol}_X(K)}{2\pi|\chi(S)|}.$$

Applying this property to our compact core X^k we have

$$(3.1) \quad \frac{\ell_X(\gamma_n \cap X^k)}{\ell_X(\gamma_n)} \xrightarrow{n \rightarrow +\infty} \frac{\text{vol}_X(X^k)}{2\pi|\chi(S)|},$$

and hence,

$$(3.2) \quad \frac{\ell_X(\gamma_n \cap \mathcal{B}^k)}{\ell_X(\gamma_n)} \xrightarrow{n \rightarrow +\infty} \frac{\text{vol}_X(\mathcal{B}^k)}{2\pi|\chi(S)|}.$$

What is much more surprising is that sequences of random geodesics can also be used to compute lengths. More concretely, we have

$$(3.3) \quad \frac{i(\gamma_n, I)}{\ell_X(\gamma_n)} \xrightarrow{n \rightarrow +\infty} \frac{\ell_X(I)}{\pi^2|\chi(S)|},$$

for every compact geodesic segment I in X . This property is basically due to Bonahon [Bon88, Prop 14], we also refer the reader to [ES22, Prop 2.4] for details. A direct consequence of (3.3) is that we can use random geodesics $(\gamma_n)_{n \in \mathbb{N}}$ to compute the length of any essential geodesic $\gamma \in \mathfrak{C}(S)$:

$$(3.4) \quad \frac{i(\gamma_n, \gamma)}{\ell_X(\gamma_n)} \xrightarrow{n \rightarrow +\infty} \frac{\ell_X(\gamma)}{\pi^2|\chi(S)|}.$$

Note that in this equation the curve γ is fixed. Meaning that a priori, equation (3.4) does not say anything about $i(\gamma_n, \gamma_n)$. However, for compact sets (3.3) holds uniformly. As a consequence, cutting the geodesics γ_n into geodesic segments we have

$$(3.5) \quad i\left(\frac{\gamma_n}{\ell_X(\gamma_n)}, \frac{\gamma_n|_K}{\ell_X(\gamma_n|_K)}\right) \xrightarrow{n \rightarrow +\infty} \frac{1}{\pi^2|\chi|}.$$

for K any fixed compact subsurface of X .

All those considerations about sequences of random geodesics apply to compact surfaces, hence, if S were compact, applying (3.5) to $K = S$, then we would immediatly have that every sequence of random geodesics satisfies (1.4). However, that is not necessarily true in general.

Example 3.2. *First, note that an excursion of length ℓ into some \mathcal{B}_i^k has between $k\ell^{1/2} - 2$ and $4k\ell^{1/2}$ self-intersections. Consider now a sequence of random geodesics $(\gamma_n)_{n \in \mathbb{N}}$. Add to γ_n an excursion of length $6 \log(\ell_X(\gamma_n))$ at depth $k_n \xrightarrow{n \rightarrow \infty} \infty$ and pull it tight into a new geodesic γ'_n . If we add the excursions in a well-chosen way (for example, gluing it at the deepest point of an excursion) then the $(\gamma'_n)_{n \in \mathbb{N}}$ still are random geodesics and*

$$\frac{i(\gamma'_n, \gamma'_n)}{\ell_X(\gamma'_n)^2} \approx \frac{i(\gamma_n, \gamma_n) + k_n \ell_X(\gamma_n)^3}{(\ell_X(\gamma_n) + 6 \log(\ell_X(\gamma_n)))^2} \underset{n \rightarrow +\infty}{\sim} \frac{i(\gamma_n, \gamma_n)}{\ell_X(\gamma_n)^2} + k_n \ell_X(\gamma_n) \xrightarrow{n \rightarrow \infty} \infty.$$

One can also refer to the arguments in Lemma 3.4 below to prove that such sequences of random geodesics exist.

In [Lal87] or [Lal89, Corollary 11.2], Lalley gives a construction of random geodesics that justifies the use of the term "random": if for all n the geodesic γ_n is randomly chosen among the geodesics of length at most n then $(\gamma_n)_{n \in \mathbb{N}}$ is a sequence of random geodesics with probability 1. Hence, we wonder which proportion of sequences of random geodesics satisfies (1.4). This problem might be linked to the study of the length of cusp excursions for random geodesics, see for example [Haa09], [Pol09] or [Sul82] and the references there are in.

Anyway, the above example makes clear that to obtain (1.4) in the non-compact case we have to control the excursions of the sequences of random geodesics into cusps neighborhoods. We will do it through the cutting process described below.

Cutting process. Suppose that X is a fixed hyperbolic structure for S . Recall that X^t denotes the compact core of X bounded by the horospheres of length $1/t$ around the cusps of S and that $\mathcal{B}^t = X \setminus X^t$ is its complement. Given two parameters $k \in \mathbb{N}^*$ and $0 < \theta < \pi/4$, and a curve γ we want to cut the excursions of γ in \mathcal{B}^k in order to prevent γ from leaving $X^{k/\sin(\theta)}$. To do so, we will study γ through its lifts in the universal cover \tilde{X} of X . We focus here on a given cusp but we apply the same construction around each cusps of X . For $t \geq 1$ we denote by H_t the horosphere of depth t around this cusp and B_t the horoball it bounds. Since X is a hyperbolic surface endowed with a complete hyperbolic metric, its universal cover identifies with \mathbb{H}^2 , and we can suppose that the parabolic element associated to the cusp we are interested in is $z \mapsto z + 1$. With this normalization H_t lifts to the horizontal line $\{\Im(z) = t\}$ and we have that if a curve enters H_t with some angle α then it reaches the horosphere $H_{k/\sin(\alpha)}$ (we measure the angle with the normal to the horosphere). We want to cut γ in order to replace its long excursions into B_k (ie. the ones which cross $H_{k/\sin(\theta)}$) by short ones (excursions staying between $H_{k/\sin(2\theta)}$ and $H_{k/\sin(\theta)}$). To make it explicit we make a description of the process on the universal cover.

If γ makes excursions in B_k we are going to modify γ explaining the process on a fixed lift $\tilde{\gamma}$ which makes an excursion in the horoball $\{\Im(z) > k\}$ bounded by $\{\Im(z) = k\}$ but the same process applies to all lifts of B_k . First, if $\tilde{\gamma}$ enters with an angle greater than θ then we don't change it. On the other hand, if it enters with an angle smaller than θ then we replace this arc by a geodesic arc I which enters with angle between θ and 2θ and whose exit point coincides with the exit point of a different lift $\tilde{\gamma}'$ of γ (see Fig. 3). This is always possible as long as $2k \cotan(\theta) - 2k \cotan(2\theta) \geq 1$.

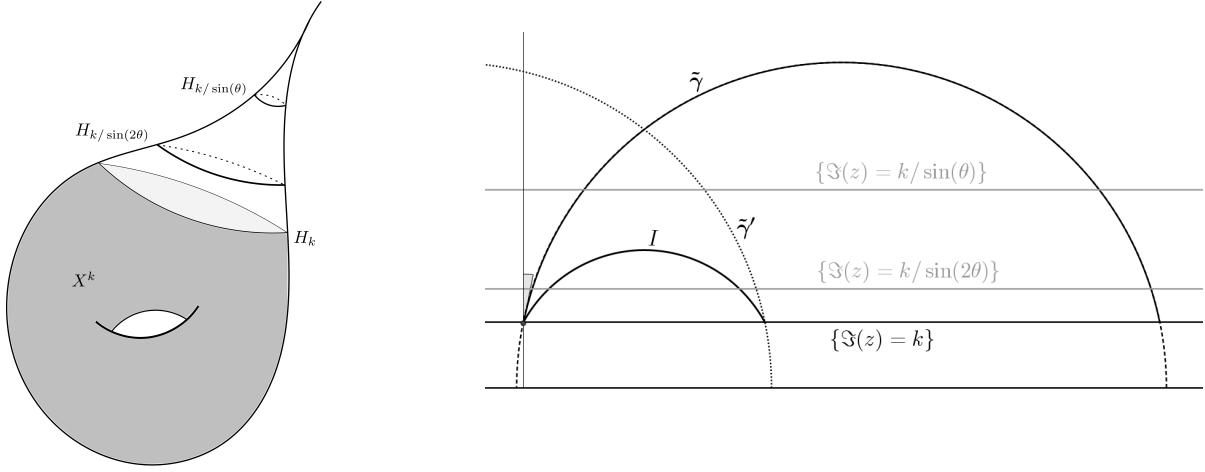


FIGURE 3. Cutting process

If we apply the same process to all the excursions of γ around every cusp then γ is replaced by a closed piecewise geodesic γ' .

Now, pulling γ' tight we obtain a closed geodesic γ^* : we refer to γ^* as the *geodesic obtained by cutting process of parameters k and θ from γ* . Note that if θ is small then γ' and γ^* have basically the same length, more precisely, they can be mapped one to each other through a homotopy with small displacement and without disturbing too much the lengths. For the lengths, it is easy to see that there is some $e_\theta \xrightarrow{\theta \rightarrow 0} 0$, independent from X , such that for every $k \geq 1$ and θ small

$$(3.6) \quad \ell_X(\gamma') \leq (1 + e_\theta)\ell_X(\gamma^*).$$

Here $\ell_X(\gamma')$ refer to the arc length of γ' , we will use again this abuse of notation but its meaning is clear from the context.

Construction of controlled sequences of random geodesics.

Lemma 3.3. *There is some $\theta_0 > 0$ such that if $(\gamma_n)_{n \in \mathbb{N}}$ is a sequence of random geodesics on X and $(\gamma_n^*)_{n \in \mathbb{N}}$ is obtained from the γ_n applying the cutting process of parameters $k > 1$ and $\theta > \theta_0$ then there is $\mu_n \xrightarrow{n \rightarrow \infty} 0$ such that*

$$1 \leq \frac{\ell_X(\gamma_n)}{\ell_X(\gamma_n^*)} \leq (1 + \mu_n) \frac{\text{vol}_X(S)}{\text{vol}_X(X^k)} (1 + e_\theta),$$

for every n . Here, e_θ is as in (3.6).

Proof. We use the same notation as in the description of the cutting process, and, as above, we denote by $\ell_X(\gamma'_n)$ the arc length of the piecewise geodesics.

We take θ_0 small enough such that (3.6) occurs. The γ_n being random geodesics, (3.1) ensures that we can find a sequence $\mu_n \xrightarrow{n \rightarrow \infty} 0$ such that $\frac{\ell_X(\gamma_n)}{\ell_X(\gamma_n|_{X^k})} = (1 + \mu_n) \frac{\text{vol}_X(S)}{\text{vol}_X(X^k)}$. The construction of γ'_n ensures that $\gamma_n|_{X^k} = \gamma'_n|_{X^k}$, thus $\frac{\ell_X(\gamma_n|_{X^k})}{\ell_X(\gamma'_n)} \leq 1$ and if $\theta > \theta_0$ then $\frac{\ell_X(\gamma'_n)}{\ell_X(\gamma_n^*)} \leq (1 + e_\theta)$. The majoration follows from those three inequalities.

Now, γ_n and γ'_n coincide on X^k but γ'_n has shorter excursions than γ_n in \mathcal{B}^k , hence, $\frac{\ell_X(\gamma_n)}{\ell_X(\gamma'_n)} \geq 1$. The geodesic γ_n^* is the unique geodesic representative of the free homotopy class of γ'_n which proves that $\frac{\ell_X(\gamma'_n)}{\ell_X(\gamma_n^*)} \geq 1$ and the minoration follows. \square

Lemma 3.4. *Let $(\gamma_n)_{n \in \mathbb{N}}$ be a sequence of random geodesics. If $(\gamma_n^*)_{n \in \mathbb{N}}$ is obtained from $(\gamma_n)_{n \in \mathbb{N}}$ applying the cutting processes of parameters $k_n \xrightarrow[n \rightarrow \infty]{} \infty$ and $\theta_n \xrightarrow[n \rightarrow \infty]{} 0$, then $(\gamma_n^*)_{n \in \mathbb{N}}$ is a sequence of random geodesics.*

Proof. In this proof, we denote by $\tilde{\gamma}$ the canonical lift of a geodesic γ to the unit tangent bundle of X .

Let $f \in C_c^0(T^1X)$ be a continuous and compactly supported function on T^1X , there is K a compact core of X such that $\text{Supp}(f) \subset T^1K$. Since $k_n \xrightarrow[n \rightarrow \infty]{} \infty$, there is $n_0 \in \mathbb{N}$ such that for all $n \geq n_0$, $\gamma_{n|K} = \gamma'_{n|K}$. The homotopy between $\gamma'_{n|K}$ and γ_n^* induces that the arcs of $\gamma_{n|K}$ are freely homotopic to geodesic arcs of γ_n^* . Such a homotopy induces a projection from $\gamma_{n|K}$ to γ_n^* and lifts to $\Psi_n : \tilde{\gamma}_{n|K} \rightarrow \tilde{\gamma}_n^*$, which is a homeomorphism on its image. The homotopy can be chosen to have low displacement, that is $d(p, \Psi_n(p)) \leq \varepsilon_n \xrightarrow[n \rightarrow \infty]{} 0$ for every $p \in \tilde{\gamma}_{n|K}$, and not to disturb too much the lengths. Moreover, we can find $\varphi_n : [0, \ell_X(\gamma_{n|K})] \rightarrow \mathbb{R}^+$ a piecewise smooth reparametrization of $[0, \ell_X(\gamma_{n|K})]$ such that for all $t \in [0, \ell_X(\gamma_{n|K})]$, $\Psi_n(\tilde{\gamma}_{n|K}(t)) = \tilde{\gamma}_n^*(\varphi_n(t))$. The homotopy between γ'_n and γ_n^* does not distort too much the lengths, hence, we have some $\delta_n \xrightarrow[n \rightarrow \infty]{} 0$ such that $1 - \delta_n \leq \varphi'_n \leq 1 + \delta_n$ where it is defined.

Fix some $\mu > 0$. A compactly supported continuous function is uniformly continuous, thus, there is $\varepsilon_\mu > 0$ such that if $d(p, q) \leq \varepsilon_\mu$ then $|f(p) - f(q)| \leq \mu$. We can suppose that for every $n \geq n_0$, $\varepsilon_n \leq \varepsilon_\mu$. We have

$$\begin{aligned} & \int_{T^1X} f d\gamma_n^* = \int_0^{\ell_X(\Psi_n(\gamma_{n|K}))} f \circ \tilde{\gamma}_n^*(t) dt = \int_0^{\ell_X(\gamma_{n|K})} f \circ \tilde{\gamma}_n^*(\varphi_n(s)) \varphi'_n(s) ds \\ \Rightarrow & (1 - \delta_n) \int_0^{\ell_X(\gamma_{n|K})} f(\Psi_n(\tilde{\gamma}_{n|K}(s))) ds \leq \int_{T^1X} f d\gamma_n^* \leq (1 + \delta_n) \int_0^{\ell_X(\gamma_{n|K})} f(\Psi_n(\tilde{\gamma}_{n|K}(s))) ds \\ \Rightarrow & (1 - \delta_n) \left(\int_{T^1X} f d\gamma_n - \mu \ell_X(\gamma_{n|K}) \right) \leq \int_{T^1X} f d\gamma_n^* \leq (1 + \delta_n) \left(\int_{T^1X} f d\gamma_n + \mu \ell_X(\gamma_{n|K}) \right) \\ \Rightarrow & (1 - \delta_n) \left(\frac{\ell_X(\gamma_n)}{\ell_X(\gamma_n^*)} \int_{T^1X} f d\hat{\gamma}_n - \mu \frac{\ell_X(\gamma_n)}{\ell_X(\gamma_n^*)} \right) \leq \int_{T^1X} f d\hat{\gamma}_n^* \leq (1 + \delta_n) \left(\frac{\ell_X(\gamma_n)}{\ell_X(\gamma_n^*)} \int_{T^1X} f d\hat{\gamma}_n + \mu \frac{\ell_X(\gamma_n)}{\ell_X(\gamma_n^*)} \right) \end{aligned}$$

Adapting the proof of Lemma 3.3 we have $\frac{\ell_X(\gamma_n)}{\ell_X(\gamma_n^*)} \xrightarrow[n \rightarrow \infty]{} 1$, and passing to the limit in n we obtain

$$\int_{T^1X} f \frac{dL_X}{4\pi^2|\chi(S)|} - \mu \leq \liminf_n \int_{T^1X} f d\hat{\gamma}_n^* \leq \limsup_n \int_{T^1X} f d\hat{\gamma}_n^* \leq \int_{T^1X} f \frac{dL_X}{4\pi^2|\chi(S)|} + \mu.$$

This is true for all μ , hence, $\lim_{n \rightarrow \infty} \int_{T^1 X} f d\hat{\gamma}_n^* = \int_{T^1 X} f \frac{dL_X}{4\pi^2|\chi(S)|}$ and we have proved that $(\gamma_n^*)_{n \in \mathbb{N}}$ is a sequence of random geodesics. \square

Now, for every hyperbolic structure X on S , we will be able to build sequences $(\gamma_n^{(X)})_{n \in \mathbb{N}}$ of random geodesics satisfying (1.4). Moreover, we will build them in such a way that neither the converging rates in (1.4) and (3.4), nor the peripheral self-intersection numbers $i_{per}(\gamma_n^{(X)}, \gamma_n^{(X)})$ depend on X .

Theorem 3.5. *For every hyperbolic structure X on a finite analytic type surface of negative Euler characteristic S , there is a sequence $(\gamma_n^{(X)})_{n \in \mathbb{N}}$ of random geodesics such that :*

$$\lim_{n \rightarrow \infty} i \left(\frac{\gamma_n^{(X)}}{\ell_X(\gamma_n^{(X)})}, \frac{\gamma_n^{(X)}}{\ell_X(\gamma_n^{(X)})} \right) = \frac{1}{\pi^2|\chi(S)|}.$$

More precisely, they can be chosen such that

- (1) $i(\hat{\gamma}_n^{(X)}, \hat{\gamma}_n^{(X)}) \leq \frac{1}{\pi^2|\chi(S)|} \left(1 + \frac{1}{n}\right), \forall n \in \mathbb{N}$,
- (2) $\forall \alpha \in \mathfrak{C}(S), \exists n_\alpha \in \mathbb{N} : \left| i(\hat{\gamma}_n^{(X)}, \alpha) \left(\frac{\ell_X(\alpha)}{\pi^2|\chi|} \right)^{-1} - 1 \right| \leq \frac{3}{n}, \forall n \geq n_\alpha$,
- (3) $i_{per}(\gamma_n^{(X)}, \gamma_n^{(X)}) \leq C_n, \forall n \in \mathbb{N}$,

where C_n and n_α do not depend on X . Here we use the notation $\hat{\gamma}_n^{(X)} = \frac{\gamma_n^{(X)}}{\ell_X(\gamma_n^{(X)})}$.

Proof. To obtain the desired sequence $(\gamma_n^{(X)})_{n \in \mathbb{N}}$ we start with an arbitrary sequence of random geodesics $(\gamma_n)_{n \in \mathbb{N}}$. For every p we set $k_p = e^{p/2}$ and $\theta_p = e^{-p/2}$, if we apply the cutting process with parameters k_p and θ_p to the sequence $(\gamma_n)_{n \in \mathbb{N}}$ then we obtain a sequence $(\tilde{\gamma}_n^p)_{n \in \mathbb{N}}$ of piecewise geodesics and by pulling it tight a sequence $(\gamma_n^p)_{n \in \mathbb{N}}$ of geodesics. We will chose the $(\gamma_n^{(X)})_{n \in \mathbb{N}}$ among the γ_n^p .

First, study the self-intersection number of those γ_n^p . As γ_n^p is the geodesic representative of $\tilde{\gamma}_n^p$, its self-intersection number is lower than the number of self-intersections of $\tilde{\gamma}_n^p$. To count it, we divide X into two parts, the compact core X^k and its complement \mathcal{B}^k . On X^k , the geodesic arcs $\tilde{\gamma}_n^p|_{X^k}$ and $\gamma_n|_{X^k}$ are identical so $\tilde{\gamma}_n^p$ has $i(\gamma_n|_{X^k}, \gamma_n)$ self-intersections. On the complement, we count the self-intersections of $\tilde{\gamma}_n^p$ considering its different excursions in \mathcal{B}^k :

$$i(\gamma_n^p, \gamma_n^p) \leq i(\gamma_n \cap X^k, \gamma_n) + \sum_{I, J \text{ excursions in } \mathcal{B}^k} i(I, J).$$

We can distinguish two types of pairs (I, J) : the ones where at least one of the excursions stays in $\mathcal{B}^k \cap X^{k/\sin(2\theta)}$, and the ones where both I and J reach $\mathcal{B}^{k/\sin(2\theta)}$. In the first case, I and J meet at most as many times as the corresponding excursions of γ_n and then:

$$i(\gamma_n^p, \gamma_n^p) \leq i(\gamma_n \cap X^{k/\sin(2\theta)}, \gamma_n) + \sum_{I, J \text{ excursions in } \mathcal{B}^k \text{ which reach } \mathcal{B}^{k/\sin(2\theta)}} i(I, J).$$

Moreover, an excursion of $\tilde{\gamma}_n^p$ in \mathcal{B}^k which reaches $\mathcal{B}^{k/\sin(2\theta)}$ has a length of at least $\ln(1/\theta)$, a lower bound for the length of the geodesic arc which enters with angle 2θ . It follows that there is at most $\frac{\ell_X(\gamma_n \cap \mathcal{B}^k)}{\ln(1/\theta)}$ such excursions. Also, the intersection number of two excursions reaching $\mathcal{B}^{k/\sin(2\theta)}$ is at most $4k/\theta$, the self-intersection number of the excursion which enters with angle θ . All in all,

$$i(\gamma_n^p, \gamma_n^p) \leq i(\gamma_n \cap X^{k/2\theta}, \gamma_n) + \left(\frac{\ell_X(\gamma_n \cap \mathcal{B}^k)}{\ln(1/\theta)} \right)^2 \frac{4k}{\theta}.$$

Applying equations (3.5) and (3.2) we have

$$i(\gamma_n \cap X^{k/2\theta}, \gamma_n) = (1 + \varepsilon_n^p) \frac{\ell_X(\gamma_n) \ell_X(\gamma_n \cap X^{k/2\theta})}{\pi^2 |\chi|} \text{ and}$$

$$\ell_X(\gamma_n \cap \mathcal{B}^k) = (1 + \delta_n^p) \frac{\ell_X(\gamma_n) C}{2\pi |\chi|} \frac{1}{k} \text{ where } C \text{ is the number of cusps of } S,$$

where $\varepsilon_n^p \xrightarrow[n \rightarrow \infty]{} 0$ and $\delta_n^p \xrightarrow[n \rightarrow \infty]{} 0$ depend on X . As a consequence,

$$i(\gamma_n^p, \gamma_n^p) \leq (1 + \varepsilon_n^p) \frac{\ell_X(\gamma_n)^2}{\pi^2 |\chi|} + \left((1 + \delta_n^p) \frac{C \ell_X(\gamma_n)}{2\pi |\chi| \cdot k \cdot \ln(1/\theta)} \right)^2 \frac{4k}{\theta}$$

and we obtain a majoration for the self-intersection number of the normalized curves:

$$(3.7) \quad i\left(\frac{\gamma_n^p}{\ell_X(\gamma_n^p)}, \frac{\gamma_n^p}{\ell_X(\gamma_n^p)}\right) \leq \frac{1}{\pi^2 |\chi|} \left((1 + \varepsilon_n^p) + (1 + \delta_n^p)^2 \frac{C^2}{|\chi|} \frac{4}{p^2} \right) \left(\frac{\ell_X(\gamma_n)}{\ell_X(\gamma_n^p)} \right)^2.$$

We next study the intersection number of the γ_n^p with closed curves. The set $\mathfrak{C}(S)$ is infinite and can be enumerated with $\mathfrak{C}(S) = \{\alpha_q | q \in \mathbb{N}\}$ in such a way that $i_{per}(\alpha_q, \alpha_q) \leq 4q$ for every q . This enumeration is fixed whatever the structure X . Recall that for every p we have $k = k_p = e^{p/2}$ and $\theta = \theta_p = e^{-p/2}$. Hence, when p is big enough, for $q \leq p$ the curve α_q is included in $X^q \subset X^k$. However in X^k we have $i(\gamma_n, \cdot) = i(\gamma_n^p, \cdot)$ thus

$$(3.8) \quad i(\hat{\gamma}_n^p, \alpha_q) = \frac{\ell_X(\gamma_n)}{\ell_X(\gamma_n^p)} i(\hat{\gamma}_n, \alpha_q).$$

Now, applying Lemma 3.3, for every p there is $\mu_n^p \xrightarrow[n \rightarrow \infty]{} 0$, depending on X , such that

$$(3.9) \quad 1 \leq \frac{\ell_X(\gamma_n)}{\ell_X(\gamma_n^p)} \leq (1 + \mu_n^p) \frac{\text{vol}_X(S)}{\text{vol}_X(X^k)} (1 + e_p).$$

with $e_p = e_{e^{-p/2}}$ with the notation of (3.6).

Therefore, there are m_p large enough such that $\varepsilon_{m_p}^p, \delta_{m_p}^p, \mu_{m_p}^p \leq \frac{1}{p}$, and $\left| \frac{i(\hat{\gamma}_{m_p}, \alpha_q)}{\ell_X(\alpha_q)/\pi^2 |\chi|} - 1 \right| \leq \frac{1}{p}$ for every $q \leq p$. Thus (3.9) and (3.7) give us

$$(3.10) \quad 1 \leq \frac{\ell_X(\gamma_{m_p})}{\ell_X(\gamma_{m_p}^p)} \leq \frac{\text{vol}_X(S)}{\text{vol}_X(X^k)} \left(1 + \frac{1}{p}\right) (1 + e_p) \xrightarrow[p \rightarrow \infty]{} 1,$$

$$(3.11) \quad i(\hat{\gamma}_{m_p}^p, \hat{\gamma}_{m_p}^p) \leq \frac{1}{\pi^2 |\chi|} \left(1 + \left(1 + \frac{1}{p}\right) \frac{4C^2}{p^2 |\chi|} \right) \frac{\text{vol}_X(S)}{\text{vol}_X(X^k)} \left(1 + \frac{1}{p}\right)^2 (1 + e_p) \xrightarrow[p \rightarrow \infty]{} \frac{1}{\pi^2 |\chi|}.$$

The terms on the right in inequalities (3.10) and (3.11) do not depend on X anymore so, for N an integer there is $p_N \geq 6$, independent from X and with $p_N > p_{N-1}$, such that $1 \leq \frac{\ell_X(\gamma_{p_N})}{\ell_X(\gamma_{m_{p_N}}^{p_N})} \leq 1 + \frac{1}{N}$

and $i(\hat{\gamma}_{m_{p_N}}^{p_N}, \hat{\gamma}_{m_{p_N}}^{p_N}) \leq \frac{1}{\pi^2|\chi|}(1 + \frac{1}{N})$. As a consequence, we can take $\gamma_N^{(X)} = \gamma_{m_{p_N}}^{p_N}$.

The previous constructions ensure that $i(\hat{\gamma}_N^{(X)}, \hat{\gamma}_N^{(X)}) \leq \frac{1}{\pi^2|\chi|}(1 + \frac{1}{N})$, and we have proved (1) in the statement of the theorem.

Applying Proposition 2.4 we have $i_{per}(\gamma_N^{(X)}, \gamma_N^{(X)}) \leq 4e^{p_N}$ where p_N does not depend on X , which gives us the third point.

At last, (3.8) and the choice of p_N and m_p induces that

$$1 - \frac{3}{N} \leq (1 - \frac{1}{N}) \leq \frac{i(\hat{\gamma}_N^{(X)}, \alpha_q)}{\ell_X(\alpha_q)/\pi^2|\chi|} \leq (1 + \frac{1}{N})^2 \leq 1 + \frac{3}{N}, \quad \forall q \leq N,$$

hence, we obtain the second point with $n_\alpha = q$ when $\alpha = \alpha_q$.

Moreover, up to passing to a subsequence, the $(\gamma_N^{(X)})_{N \in \mathbb{N}}$ are built from the sequence $(\gamma_N)_{N \in \mathbb{N}}$ of random geodesics through cutting processes of parameters $k_N = e^{p_N/2} \xrightarrow[N \rightarrow \infty]{} \infty$ and $\theta_N = e^{-p_N/2} \xrightarrow[N \rightarrow \infty]{} 0$. As a consequence, Lemma 3.4 ensures that we have built a sequence of random geodesics. At last, for K a compact subsurface of X we have

$$i\left(\hat{\gamma}_n^{(X)}, \frac{\gamma_{n|K}^{(X)}}{\ell_X(\gamma_{n|K}^{(X)})}\right) \leq i(\hat{\gamma}_n^{(X)}, \hat{\gamma}_n^{(X)}) \leq \frac{1}{\pi^2|\chi|}\left(1 + \frac{1}{n}\right),$$

and if we pass to the limit, using (3.5), we obtain that $\lim_{N \rightarrow \infty} i(\hat{\gamma}_N^{(X)}, \hat{\gamma}_N^{(X)}) = \frac{1}{\pi^2|\chi|}$. \square

4. PROOF OF THURSTON'S COMPACTIFICATION

Armed with Theorem 3.5, we are now able to prove Thurston's compactification. As we already mentioned in the introduction, the starting point of this compactification is the embedding of $\mathcal{T}(S)$ and $\mathbb{P}\mathcal{ML}(S)$ into the compact space $\mathbb{P}(\mathbb{R}_+^{\mathcal{E}(S)})$:

$$\begin{aligned} \ell & : \quad \mathcal{T}(S) & \rightarrow & \mathbb{P}(\mathbb{R}_+^{\mathcal{E}(S)}) \\ & & X & \mapsto \ell_X(\cdot), \\ \iota & : \quad \mathbb{P}\mathcal{ML}(S) & \rightarrow & \mathbb{P}(\mathbb{R}_+^{\mathcal{E}(S)}) \\ & & \lambda & \mapsto i(\lambda, \cdot). \end{aligned}$$

The compactness of $\mathbb{P}(\mathbb{R}_+^{\mathcal{E}(S)})$ implies that the closure $\overline{\mathcal{T}}(S)$ of $\mathcal{T}(S)$ is compact. The boundary of this set is given by the following theorem.

Theorem (Thurston's compactification). *If S is a finite analytic type surface with negative Euler characteristic then the accumulation points of $\mathcal{T}(S)$ in $\mathbb{P}(\mathbb{R}_+^{\mathcal{E}(S)})$ are the projective classes of functions $\gamma \mapsto i(\lambda, \gamma)$ where $\lambda \in \mathcal{ML}(S)$ is a measured lamination on S .*

Our arguments apply to the compact case, but for the sake of concreteness we will focus on non-compact surfaces.

Let $X_k \in \mathcal{T}(S)$ be a sequence which converges in $\mathbb{P}(\mathbb{R}_+^{\mathcal{C}(S)})$ and leaves all compact sets of $\mathcal{T}(S)$, meaning that there are a non-zero element F of $\mathbb{R}_+^{\mathcal{C}(S)}$ and a sequence $(\varepsilon_k)_{k \in \mathbb{N}}$ of positive real numbers such that $\lim_{k \rightarrow \infty} \varepsilon_k \ell_k(\cdot) = F$ pointwise (we have written ℓ_k for ℓ_{X_k}). We will prove that F is given by taking the intersection number with a suitable measured lamination.

Fix a filling curve β on S , that is a closed curve such that the connected components of $S \setminus \beta$ are balls and annular neighborhoods of the cusps. Such a curve gives us a bound on the length of every curve $\gamma \in \mathcal{C}(S)$, namely,

$$(4.1) \quad \ell_X(\gamma) \leq \ell_X(\beta) i(\gamma, \beta) (1 + i(\gamma, \gamma))$$

for every hyperbolic structure X [SV20, Lemma 2.1]. Since $F = \lim_{k \rightarrow \infty} \varepsilon_k \ell_k(\cdot)$ is non-zero, there is $\gamma \in \mathcal{C}(S)$ with $F(\gamma) \neq 0$. We obtain from (4.1) that $0 < F(\gamma) \leq F(\beta)(1 + i(\gamma, \gamma))i(\gamma, \beta)$ and hence that $F(\beta) \neq 0$. Since we are only interested in convergence in $\mathbb{P}(\mathbb{R}_+^{\mathcal{C}(S)})$, we can assume that $F(\beta) = 1$, meaning that

$$\lim_{k \rightarrow \infty} \delta^k \frac{\ell_k(\cdot)}{\pi^2 |\chi|} = F,$$

where $\delta^k = \frac{\pi^2 |\chi|}{\ell_k(\beta)}$.

We will now prove that F is of the form $i(\mu, \cdot)$ where μ is a measured lamination on S .

Applying Theorem 3.5 to each X_k , we obtain some sequences $(\gamma_n^{(k)})_{n \in \mathbb{N}^*} = (\hat{\gamma}_n^{(X_k)})_{n \in \mathbb{N}^*}$ of essential closed geodesics with $\lim_{n \rightarrow \infty} i(\gamma_n^{(k)}/\ell_k(\gamma_n^{(k)}), \cdot) = \ell_k(\cdot)/\pi^2 |\chi|$. As all along, let Σ be a compact complete hyperbolic surface with boundary whose interior is homeomorphic to S and let's identify $\mathcal{C}(S)$ with $\mathcal{C}(\Sigma)$. In particular, we can consider the weighted curves $\hat{\gamma}_n^{(k)} = \gamma_n^{(k)}/\ell_k(\gamma_n^{(k)})$ as currents of Σ . The space $\mathbb{P}\mathcal{C}(\Sigma)$ being compact each $(\hat{\gamma}_n^{(k)})_{k \in \mathbb{N}}$ projectively converges to a non-zero current $\mu_n \in \mathcal{C}(\Sigma)$.

We first want to show that the μ_n are measured laminations. Consider the sequence $(\hat{\gamma}_n^{(k)})_{k \in \mathbb{N}}$ for n fixed, there are some $\varepsilon_n^k > 0$ such that $\varepsilon_n^k \hat{\gamma}_n^{(k)}$ tends to μ_n up to a subsequence in k . So, by diagonal extraction we can suppose that $\varepsilon_n^k \hat{\gamma}_n^{(k)} \xrightarrow[k \rightarrow \infty]{} \mu_n$ for every n . What we have to show is that $\lim_{k \rightarrow \infty} \varepsilon_n^k = 0$ for every n . The sequence $(X_k)_{k \in \mathbb{N}}$ leaves every compact of $\mathcal{T}(S)$ so there is a simple closed curve α such that $\lim_{k \rightarrow \infty} \ell_k(\alpha) = \infty$. Recall that to prove Theorem 3.5 we have enumerated $\mathcal{C}(S) = \{\alpha_n | n \in \mathbb{N}\}$ such that $i_{per}(\alpha_n, \alpha_n) \leq 4n$, since α is a simple curve we can take $\alpha = \alpha_1$. The $\gamma_n^{(k)}$ come from Theorem 3.5 thus $\left| i(\hat{\gamma}_n^{(k)}, \alpha) \left(\frac{\ell_k(\alpha)}{\pi^2 |\chi|} \right)^{-1} - 1 \right| \leq \frac{3}{n}$ whatever k and n . By hypothesis $\ell_k(\alpha) \xrightarrow[k \rightarrow \infty]{} \infty$ and we can suppose, up to a shift in n , that for every n , $\left| i(\hat{\gamma}_n^{(k)}, \alpha) \left(\frac{\ell_k(\alpha)}{\pi^2 |\chi|} \right)^{-1} - 1 \right| < 1$. As a consequence $i(\hat{\gamma}_n^{(k)}, \alpha) \xrightarrow[k \rightarrow \infty]{} \infty$. However, $\infty > i(\mu_n, \alpha) = \lim_{k \rightarrow \infty} \varepsilon_n^k i(\hat{\gamma}_n^{(k)}, \alpha)$ thus $\varepsilon_n^k \xrightarrow[k \rightarrow \infty]{} 0$ for every n , and $i(\hat{\gamma}_n^{(k)}, \hat{\gamma}_n^{(k)})$ is bounded independently from k and n , hence, $i(\mu_n, \mu_n) = \lim_{k \rightarrow \infty} (\varepsilon_n^k)^2 i(\hat{\gamma}_n^{(k)}, \hat{\gamma}_n^{(k)}) = 0$ and μ_n is a measured lamination on Σ . By construction, $i_{per}(\gamma_n^{(k)}, \gamma_n^{(k)}) \leq C_n$ for every k and n , as mentioned earlier it ensures that for n fixed the $\gamma_n^{(k)}$ are all included in the same compact subsurface of $\Sigma \setminus \partial\Sigma$. It follows that μ_n is supported on a compact set of $\Sigma \setminus \partial\Sigma$ and by (2.2) it is a measured lamination of S .

Recall that β is a filling curve of S , as a consequence, $i(\mu_n, \beta) \neq 0$ and hence, we can suppose that $i(\mu_n, \beta) = 1$ for every n and we obtain

$$(4.2) \quad \lim_{k \rightarrow \infty} \delta_n^k \hat{\gamma}_n^{(k)} = \mu_n \text{ in } \mathcal{C}(\Sigma),$$

where $\delta_n^k = \frac{1}{i(\beta, \hat{\gamma}_n^{(k)})}$ is well-defined.

To sum up, we have the following convergence diagram, where all the convergences are pointwise.

$$\begin{array}{ccccccc} \delta^1 \frac{\ell_{X_1}(\cdot)}{\pi^2 |\chi|} & \delta^2 \frac{\ell_{X_2}(\cdot)}{\pi^2 |\chi|} & \cdots & \delta^k \frac{\ell_{X_k}(\cdot)}{\pi^2 |\chi|} & \cdots & \longrightarrow & F \in \mathbb{R}_+^{\mathcal{C}(S)} \\ \uparrow & \uparrow & \cdots & \uparrow & \cdots & & \uparrow ? \\ \vdots & \vdots & \cdots & \vdots & \cdots & & \vdots \\ \delta_n^1 i(\hat{\gamma}_n^{(1)}, \cdot) & \delta_n^2 i(\hat{\gamma}_n^{(2)}, \cdot) & \cdots & \delta_n^k i(\hat{\gamma}_n^{(k)}, \cdot) & \cdots & \longrightarrow & i(\mu_n, \cdot) \\ \vdots & \vdots & \cdots & \vdots & \cdots & & \vdots \\ \delta_2^1 i(\hat{\gamma}_2^{(1)}, \cdot) & \delta_2^2 i(\hat{\gamma}_2^{(2)}, \cdot) & \cdots & \delta_2^k i(\hat{\gamma}_2^{(k)}, \cdot) & \cdots & \longrightarrow & i(\mu_2, \cdot) \\ \delta_1^1 i(\hat{\gamma}_1^{(1)}, \cdot) & \delta_1^2 i(\hat{\gamma}_1^{(2)}, \cdot) & \cdots & \delta_1^k i(\hat{\gamma}_1^{(k)}, \cdot) & \cdots & \longrightarrow & i(\mu_1, \cdot) \end{array}$$

We want F to be the pointwise limit of $(i(\mu_n, \cdot))_{n \in \mathbb{N}}$. To prove it, it is sufficient to show that the convergence $\delta_n^k i(\hat{\gamma}_n^{(k)}, \gamma) \xrightarrow{n \rightarrow \infty} \delta^k \frac{\ell_k(\gamma)}{\pi^2 |\chi|}$ is uniform in k when $\gamma \in \mathcal{C}(S)$ is fixed.

If $\gamma \in \mathcal{C}(S)$ is fixed Theorem 3.5 ensures that $\left| \frac{\delta_n^k}{\delta^k} - 1 \right| \leq \epsilon_n$ and $\left| i(\hat{\gamma}_n^{(k)}, \gamma) \left(\frac{\ell_k(\gamma)}{\pi^2 |\chi|} \right)^{-1} - 1 \right| \leq \epsilon_n$ for every k and for n large enough (n_γ and n_β do not depend on k) with $\epsilon_n \xrightarrow{n \rightarrow \infty} 0$. Moreover, fixing γ we know that $\delta^k \frac{\ell_k(\gamma)}{\pi^2 |\chi|} \xrightarrow{k \rightarrow \infty} F(\gamma)$ hence the sequence $(\delta^k \frac{\ell_k(\gamma)}{\pi^2 |\chi|})_{k \in \mathbb{N}}$ is bounded by some d_γ and we obtain

$$\left| \delta_n^k i(\hat{\gamma}_n^{(k)}, \gamma) - \delta^k \frac{\ell_k(\gamma)}{\pi^2 |\chi|} \right| \leq v_n d_\gamma \xrightarrow{n \rightarrow \infty} 0.$$

Hence, the convergence holds uniformly in k , and $\lim_{n \rightarrow \infty} \lim_{k \rightarrow \infty} \delta_n^k i(\hat{\gamma}_n^{(k)}, \gamma) = \lim_{k \rightarrow \infty} \lim_{n \rightarrow \infty} \delta_n^k i(\hat{\gamma}_n^{(k)}, \gamma)$, which implies that $F(\gamma) = \lim_{n \rightarrow \infty} i(\mu_n, \gamma)$. Moreover, $\mathcal{ML}(S)$ is a closed subset of $\mathbb{R}_+^{\mathcal{C}(S)}$ hence $F(\cdot) = \lim_{n \rightarrow \infty} i(\mu_n, \cdot)$ is of the form $F(\cdot) = i(\mu, \cdot)$ where $\mu \in \mathcal{ML}(S)$, what we needed to prove. \square

REFERENCES

- [AL10] J. Aramayona and C. Leininger. *Hyperbolic Structures on Surfaces and Geodesic Currents*. Advanced Courses in Math (CRM), Birkhauser., 2010.
- [Bes01] Mladen Bestvina. \mathbb{R} -trees in topology, geometry and group theory. *Handbook of geometric topology*, pages 55–91, 2001.
- [Bon86] Francis Bonahon. Bouts des variétés hyperboliques de dimension 3. *Annals of Mathematics*, 124(1):71–158, 1986.
- [Bon88] Francis Bonahon. The geometry of Teichmüller space via geodesic currents. *Inventiones mathematicae*, pages 139–162, 1988.
- [BPT20] A. Basmajian, H. Parlier, and S. Tan. Prime orthogeodesics, concave cores and families of identities on hyperbolic surfaces, 2020.
- [BŠ21] F. Bonahon and D. Šarić. A Thurston boundary for infinite-dimensional Teichmüller spaces. *Mathematische Annalen*, pages 1119–1167, august 2021.

- [ES22] V. Erlandsson and J. Souto. *Mirzakhani's curve counting and geodesic currents*. Springer, 2022.
- [FLP79] A. Fathi, F. Laudenbach, and V. Poénaru. *Travaux de Thurston sur les surfaces*, volume 66-67 of *Séminaire d'Orsay*. SMF, astérisque edition, 1979.
- [Haa09] Andrew Haas. Geodesic cusp excursions and metric diophantine approximation. *Math. Res. Lett.*, 16:67–85, 2009.
- [Lal87] S. P. Lalley. Distribution of periodic orbits of symbolic and axiom a flows. *Advances in applied mathematics*, 8:154–193, 1987.
- [Lal89] Steven P. Lalley. Renewal theorems in symbolic dynamics, with applications to geodesic flows, noneuclidean tessellations and their fractal limits. *Acta Mathematica*, 163:1–55, 1989.
- [MS84] Jonh W. Morgan and Peter B. Shalen. Valuations, trees, and degenerations of hyperbolic structures. *Annals of Mathematics*, 120:401–476, 1984.
- [Ohs14] Ken'ichi Ohshika. Compactifications of Teichmüller spaces. In *Handbook of Teichmüller Theory*, volume iv. European Mathematical Society, 2014.
- [Pau88] Frédéric Paulin. Topologie de Gromov équivariante, structures hyperboliques et arbres réels. *Inventiones mathematicae*, pages 53–80, 1988.
- [Pau09] Frédéric Paulin. Sur la compactification de Thurston de l'espace de Teichmüller. In *Géométries à courbure négative ou nulle, groupes discrets et rigidités*, pages 421–423. Soc. Math. France, 2009.
- [Pol09] Mark Pollicott. Limiting distributions for geodesics excursions on the modular surface. *Contemp. Math.*, 484:177–185, 2009.
- [Sas20] Dounnu Sasaki. Currents on cusped hyperbolic surfaces and denseness property, 2020.
- [Sul82] Denis Sullivan. Disjoint spheres, approximation by imaginary quadratic numbers, and the logarithm law for geodesics. *Acta Mathematica*, 149:215–237, 1982.
- [SV20] J. Souto and Thi Hanh Vo. Deciding when two curves are of the same type, 2020.
- [Thu88] William P. Thurston. On the geometry and dynamics of diffeomorphisms of surfaces. *Bulletin of the american mathematical society*, pages 417–431, 1988.

UNIV RENNES 1, CNRS, IRMAR - UMR 6625, F-35000 RENNES, FRANCE

Email address: Marie.Trin@univ-rennes1.fr