



HAL
open science

Automatic Test Amplification for Executable Models

Faezeh Khorram, Erwan Bousse, Jean-Marie Mottu, Gerson Sunyé, Pablo Gómez-Abajo, Pablo C Cañizares, Esther Guerra, Juan de Lara

► **To cite this version:**

Faezeh Khorram, Erwan Bousse, Jean-Marie Mottu, Gerson Sunyé, Pablo Gómez-Abajo, et al.. Automatic Test Amplification for Executable Models. MODELS '22: ACM/IEEE 25th International Conference on Model Driven Engineering Languages and Systems, Oct 2022, Montreal, Canada. pp.109-120, 10.1145/3550355.3552451 . hal-03745034v2

HAL Id: hal-03745034

<https://hal.science/hal-03745034v2>

Submitted on 23 Aug 2022

HAL is a multi-disciplinary open access archive for the deposit and dissemination of scientific research documents, whether they are published or not. The documents may come from teaching and research institutions in France or abroad, or from public or private research centers.

L'archive ouverte pluridisciplinaire **HAL**, est destinée au dépôt et à la diffusion de documents scientifiques de niveau recherche, publiés ou non, émanant des établissements d'enseignement et de recherche français ou étrangers, des laboratoires publics ou privés.



Automatic Test Amplification for Executable Models



Faezeh Khorram
Erwan Bousse
Jean-Marie Mottu
Gerson Sunyé

faezeh.khorram@imt-atlantique.fr
erwan.bousse@ls2n.fr
jean-marie.mottu@ls2n.fr
gerson.sunye@ls2n.fr
IMT Atlantique, Nantes Université
Nantes, France

Pablo Gómez-Abajo
Pablo C. Cañizares
Esther Guerra
Juan de Lara

Pablo.GomezA@uam.es
Pablo.Cerro@uam.es
Esther.Guerra@uam.es
Juan.deLara@uam.es
Universidad Autónoma de Madrid
Madrid, Spain

ABSTRACT

Behavioral models are important assets that must be thoroughly verified early in the design process. This can be achieved with manually-written test cases that embed carefully hand-picked domain-specific input data. However, such test cases may not always reach the desired level of quality, such as high coverage or being able to localize faults efficiently. *Test amplification* is an interesting emergent approach to improve a test suite by automatically generating new test cases out of existing manually-written ones. Yet, while ad-hoc test amplification solutions have been proposed for a few programming languages, no solution currently exists for amplifying the test cases of behavioral models.

In this paper, we fill this gap with an automated and generic approach. Given an executable DSL, a conforming behavioral model, and an existing test suite, our approach generates new regression test cases in three steps: (i) generating new test inputs by applying a set of generic modifiers on the existing test inputs; (ii) running the model under test with new inputs and generating assertions from the execution traces; and (iii) selecting the new test cases that increase the mutation score. We provide tool support for the approach atop the Eclipse GEMOC Studio¹ and show its applicability in an empirical study. In the experiment, we applied the approach to 71 test suites written for models conforming to two different DSLs, and for 67 of the 71 cases, it successfully improved the mutation score between 3.17% and 54.11% depending on the initial setup.

CCS CONCEPTS

• **Software and its engineering** → **Software testing and debugging**: *Model-driven software engineering*.

¹ Link to the tool: <https://doi.org/10.5281/zenodo.7007576>

Permission to make digital or hard copies of all or part of this work for personal or classroom use is granted without fee provided that copies are not made or distributed for profit or commercial advantage and that copies bear this notice and the full citation on the first page. Copyrights for components of this work owned by others than ACM must be honored. Abstracting with credit is permitted. To copy otherwise, or republish, to post on servers or to redistribute to lists, requires prior specific permission and/or a fee. Request permissions from permissions@acm.org.

MODELS '22, October 23–28, 2022, Montreal, QC, Canada

© 2022 Association for Computing Machinery.
ACM ISBN 978-1-4503-9466-6/22/10...\$15.00
<https://doi.org/10.1145/3550355.3552451>

KEYWORDS

Test Amplification, Regression Testing, Executable Model, Executable DSL

ACM Reference Format:

Faezeh Khorram, Erwan Bousse, Jean-Marie Mottu, Gerson Sunyé, Pablo Gómez-Abajo, Pablo C. Cañizares, Esther Guerra, and Juan de Lara. 2022. Automatic Test Amplification for Executable Models. In *ACM/IEEE 25th International Conference on Model Driven Engineering Languages and Systems (MODELS '22)*, October 23–28, 2022, Montreal, QC, Canada. ACM, New York, NY, USA, 12 pages. <https://doi.org/10.1145/3550355.3552451>

1 INTRODUCTION

Many Domain-Specific Languages (DSLs) are used for describing the dynamic behavior of systems as *behavioral models* (e. g. state machines [39], activity diagrams [40], and process models [7, 38]). They are used in dedicated environments with tool support that includes dynamic Verification and Validation (V&V) techniques, enabling the user (i. e. the domain expert) to assess the correctness of the modeled behavior as early as possible [16]. Dynamic V&V techniques require the execution of the models, hence their application is restricted to DSLs with translational or operational semantics, (i. e. compilation or interpretation, respectively). We focus on DSLs with operational semantics, referred to as *executable DSLs* (*xDSLs*).

Testing is a popular dynamic V&V technique that involves executing systems and observing whether they act as expected. Currently, several testing approaches are proposed for xDSLs, some tailored for specific ones [25, 29, 33, 37], while some others provide generic solutions that are applicable to a wide range of xDSLs [10, 27, 28, 36, 54]. They allow the domain experts to write and execute test cases for behavioral models. However, writing test cases with a high level of quality (e. g. having high coverage or being able to localize faults efficiently) is a difficult manual task.

In the realm of software testing, a test case generation technique called *test amplification* has recently emerged [12]. This technique is able to improve an existing manually-written test suite by generating new test cases towards a specific goal (e. g. improve coverage or increase the accuracy of fault localization). In a nutshell, a test amplifier creates small variations in existing test cases in order to put the system in unexplored states, and then generates new oracles

in a way adapted to the chosen goal — e. g. oracles directly based on the execution traces to strengthen regression testing [12, 55].

So far, several test amplification solutions have been proposed for specific programming languages, grounded in their supporting testing frameworks (e. g. Java [13], Pharo Smalltalk [1], and Python [44]). Bringing test amplification to xDSLs could greatly help domain experts to create satisfying test suites for their behavioral models. Yet, in a context where there are plenty of xDSLs to define behavioral models [7, 38–40] and the engineering of new ones is recurrent [35], developing a test amplification approach for each and every xDSL is costly and potentially repetitive.

In this paper we propose a generic, automated approach for amplifying test suites of executable models. We focus on regression testing as a goal for test case generation, and use as a starting point our earlier testing framework [28], which supports the definition and execution of test cases for any executable model using the standard Test Description Language (TDL) [34]. Given an xDSL, a conforming behavioral model, and a TDL test suite for this model, our proposed approach amplifies this test suite in three steps. First, new test input data is generated by applying a set of modifiers to the input data of existing test cases. For primitive data, we adapt modifiers suggested for JUnit test cases [11, 13], and for more complex data related to the modeling nature of the tested system, we propose a set of new modifiers. The output of this phase is a set of new test cases but without any assertions. Second, each newly generated test case is executed, and the resulting trace captured. From this trace, all possible assertions for the new test cases are generated. Third, mutation analysis [15, 24] is used to select only the new test cases improving the mutation score of the original test case. This ensures that only the most efficient test cases are proposed to the domain expert.

We implemented the proposed framework for the GEMOC Studio [9], a language and modeling workbench for xDSLs. We ran an experimentation with 71 test suites written for 71 models conforming to two different xDSLs, which successfully generated 244 new test cases improving the original mutation scores. Mutation analysis showed that on 12.481 mutants generated for the 71 models, the amplification approach improved the mutation score for 67 of the 71 test suites, ranging from 3.17 % to 54.11 % depending on the initial setup. This result reveals the effectiveness of test amplification in the context of executable model testing.

Paper organization. Section 2 provides the background and a running example. The proposed approach is then introduced in Section 3 and its supporting tool is explained in Section 4. Section 5 presents the evaluation of our approach. Finally, the related work is provided in Section 6 and Section 7 concludes the paper.

2 BACKGROUND

This section introduces a running example that will be used across the paper (Section 2.1), provides a definition of executable DSLs (Section 2.2) and their testing support (Section 2.3), and a definition of test amplification (Section 2.4). The section finishes with a discussion of the motivation and the objectives of this paper (Section 2.5).

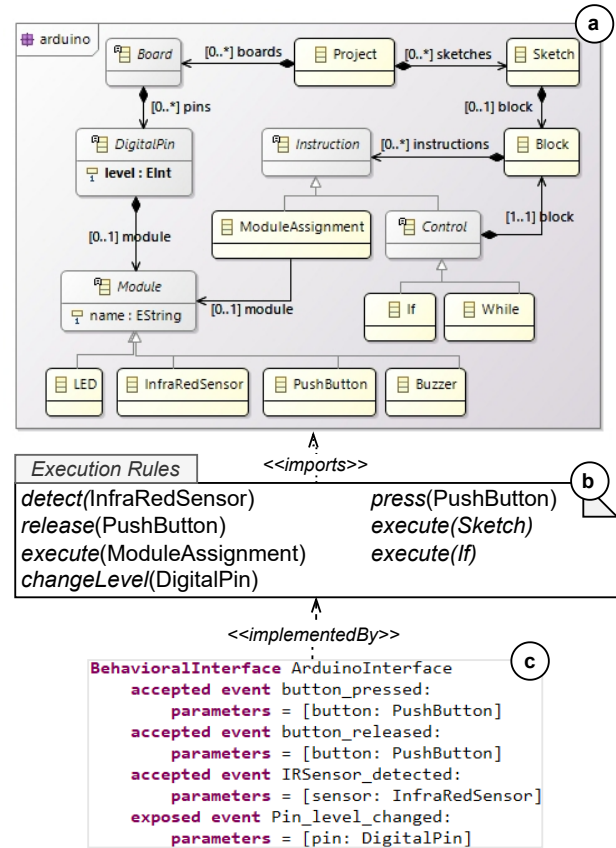


Figure 1: An excerpt of an Arduino xDSL (called xArduino)

2.1 Running Example: Arduino

Arduino² is an open-source company that offers hardware boards with embedded CPUs, and with different modules (e. g. sensors, LEDs, actuators) that can be attached to a board. An Integrated Development Environment (IDE) is available to develop programs (called sketches) for such boards in C or C++. We consider as a running example a sample executable DSL aiming at easing the modeling and early simulation of Arduino boards along their sketches. Figure 1 shows an excerpt of the definition of such Arduino xDSL³, which is further introduced in the following sections. From now on, we refer to this xDSL as xArduino.

2.2 Executable DSL (xDSL)

In this paper, we target xDSLs that are composed of at least (i) an abstract syntax specifying the domain concepts; (ii) an operational semantics enabling the execution of the models conforming to the xDSL [9]; and (iii) a behavioral interface defining how to interact with a running model [31].

2.2.1 Abstract Syntax. We consider the abstract syntax of an xDSL to be defined by an Ecore metamodel [48]. This is a set of meta-classes, each containing a set of features, i. e., either an attribute with

² <https://www.arduino.cc/>

³ Inspired from <https://github.com/mbats/arduino>

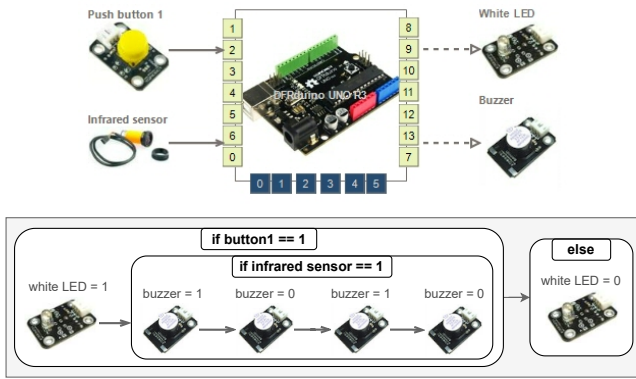


Figure 2: An example xArduino model

primitive type or a reference to another metaclass. Figure 1(a) shows the abstract syntax of xArduino. The class `Project` is its root and may contain several `Board` and `Sketch` elements. A `Board` represents a physical board, containing several `DigitalPin`s, each one of them associated with a `Module` such as `LED`, `InfraRedSensor`, `PushButton`, and `Buzzer`. `DigitalPin` has a `level` integer attribute, which represents the state of its `Module`. For example, when the level for a `DigitalPin` connected to a `PushButton` is equal to 1, it means the button is being pressed. `Sketch` elements represent the board’s behavior. They may contain a `Block` with `Instructions` such as `ModuleAssignment` for changing the state of a `Module`, and `Control` instructions for conditional behaviors (e. g. using `If` or `While`).

Figure 2 shows an example xArduino model in concrete syntax. Four `Module` instances including a `PushButton`, an `InfraRedSensor`, a white LED, and a `Buzzer` are connected to different `DigitalPin`s of an `Arduino Board` (on the top). The board’s behavior, modeled on the bottom of Figure 2 using a `Sketch` element, is: “if `button1` is pressed, the white LED turns on (i. e. activating the system) and then if the infrared sensor detects an obstacle, the buzzer alternates between noise/silence periods twice (i. e. reporting an intrusion). Otherwise, the white LED turns off”.

2.2.2 Operational Semantics. The operational semantics of an xDSL defines how to execute a model conforming to the xDSL’s abstract syntax. It should include two parts: the definition of the possible runtime states of a running model, and a set of execution rules that change such runtime state over time.

We assume that the runtime state is defined in the metamodel in the form of additional dynamic attributes and references. For example, in Figure 1(a), the `level` attribute of the `DigitalPin`, shown in bold, represents the runtime state of its associated `Module` since changing its value at runtime puts an xArduino model in different states. Next, for each metaclass of the abstract syntax that has a runtime behavior, an execution rule is needed to implement such a behavior and the execution rules may call each other to complement the model execution. Figure 1(b) lists an excerpt of the xArduino execution rules. For example, the `detect` rule implements the behavior of detecting an obstacle by an `InfraRedSensor`. Note that this paper only considers xDSLs with discrete-event operational semantics (i. e. not continuous) and with deterministic behavior. This guarantees that for the same input, the execution result is always the same.

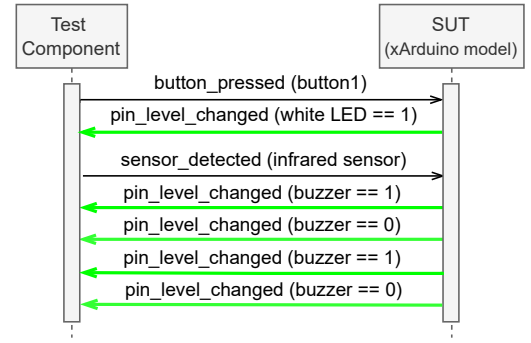


Figure 3: A TDL test case for the xArduino model of Figure 2

2.2.3 Behavioral Interface. The behavioral interface of an xDSL defines how a conforming model is able to interact with its environment through *events*, and must be implemented by the execution rules of the operational semantics [31]. Figure 1(c) presents a behavioral interface for xArduino. It comprises a set of events, each containing parameters conforming to the xDSL’s abstract syntax. Considering a running model, accepted events indicate kinds of requests that the model accepts, and exposed events determine the observable reactions of the model. This means the execution trace of an executable model can be defined as a sequence of exposed event instances. For example, when executing an xArduino model, it is possible to simulate the pressing and releasing of a button (using `button_pressed` and `button_released` events, respectively), and the detection of an obstacle by a sensor (using `IRSensor_detected` event). Whenever the level of a `DigitalPin` changes, it will be exposed by instantiating the `Pin_level_changed` event for the related `DigitalPin`. This paper assumes the accepted events are processed synchronously—often referred to as a run-to-completion semantics.

2.3 Testing Support for xDSLs

An xDSL with testing support enables domain experts to test conforming behavioral models early in the design phase. In [28], we proposed a generic testing framework for xDSLs using the standard Test Description Language (TDL) [34]. Given an xDSL, the framework generates an xDSL-specific TDL library that provides facilities to define test cases and test data for the conforming models based on the xDSL definition, and then executing them and obtaining the result. It also supports xDSLs with behavioral interfaces, meaning that it is possible to write event-driven test cases in which the test case interacts with a running model under test based on what the behavioral interface offers. In such test cases, test input data and expected output (i. e. used in the assertions) are defined as a sequence of accepted event and exposed event instances, respectively.

For example, Figure 3 shows a TDL test case for the xArduino model from Figure 2. The test case is defined as a scenario of exchanging messages between the *test component*—i. e. the test executor—and the *System Under Test* (SUT)—in our case the xArduino model. When the sender is the test component, the exchanged message carries test input data i. e., an accepted event instantiated from the behavioral interface of the xArduino DSL. Messages from the SUT are assertions and their carried data is the expected output

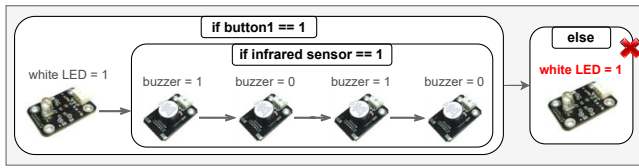


Figure 4: Part of a mutant generated for the xArduino model of Figure 2 by changing the assignment of the else part

i. e., the exposed event instances. The values of the events' parameters are elements of the xArduino model with values of their runtime features (such as `white LED with level == 1`). This test case validates whether the `white LED` turns on when `button1` is pressed, and then whether the `buzzer` alternates between noise/silence periods when the `Infrared sensor` detects an obstacle. Therefore, the test case is checking the Sketch shown in the bottom part of the xArduino model from Figure 2, except for the `else` part. As shown by the green arrows in Figure 3, the test case is a success.

2.4 Test Amplification

Test amplification refers to all the existing techniques aiming at enhancing manually-written test cases based on a specific goal, such as improving the coverage of changes or increasing the accuracy of fault localization [12]. A subset of these techniques is focused on improving manually-written test cases to avoid regression faults. Given a test suite for a system, such techniques create new test cases by modifying the test input data of existing test cases, and then run the system with this modified data to put the system in unexplored states. For each new test case, an oracle is generated by inferring assertions from the resulting execution trace of the system. As new test cases are based on the current behavior of the system, these techniques can effectively strengthen regression testing [13, 55].

Since test amplification may generate large amounts of test cases, it is important to keep only the relevant ones. When the goal is to increase test case effectiveness in detecting regression faults, an efficient technique for identifying relevant test cases is mutation analysis [15]. This technique injects artificial faults in the SUT, and then measures the degree to which an existing test case detects them. Artificial faults are modeled via *mutation operators*, which perform small modifications (e.g. flipping `'>'` by `'<'` in an expression, changing the value of constants) on the source code. These operators are systematically applied to the SUT to produce sets of *mutants*. For example, Figure 4 shows part of a mutant for the model of Figure 2, generated by changing a constant within the `else` part.

Mutants can be used to evaluate the quality of the test cases. If the original program and the mutant produce different outputs, then the test suite has detected the fault, and we say that the mutant has been killed. For example, if we run the test case of Figure 3 on the mutant of Figure 4, the output will be the same as running it on the original model of Figure 2. Thus, this test case is not able to kill the mutant. The mutation score—the percentage of killed mutants—provides a measure of test suite quality [6]. We use mutation analysis to check the degree of improvement that test amplification provides, and as selection criterion for the most effective amplified test cases.

2.5 Motivation and Objectives

As described above, amplifying tests for improving regression testing involves manipulating test data. Indeed, test amplification consists of modifying test input data in conformance to the SUT and generating new assertions from the system execution traces. Both tasks require working with system-specific data which could shape very differently depending on the language the system is implemented with. Hence, all the existing test amplification solutions are dedicated to specific programming languages and grounded on their supporting testing frameworks (e. g. Java [13], Pharo Smalltalk [1], and Python [44]).

In the context of this paper, the SUT is an executable model defined by an xDSL. Since there are plenty of xDSLs in different domains [7, 38–40] and as engineering new ones is recurrent [35], there is a strong incentive to provide a *generic* test amplification approach applicable to any xDSL. Such an approach must be adaptable for every given xDSL since each one of them has its own definition of data, which could highly differ from one to another. It must also be founded on a generic testing framework that supports the same kind of xDSLs (according to the definitions given in Section 2.2).

In the next section, we propose a generic test amplification approach for xDSLs. We base it on our earlier testing framework [28] since it supports the xDSLs considered in the context of this paper.

3 APPROACH

In this section, we first present an overview of the proposed approach (Section 3.1) and then detail its main components (Sections 3.2–3.4).

3.1 Overview

Figure 5 shows an overview of the proposed approach, which involves two roles. First, a language engineer (on the top center) who defines an xDSL according to the definitions given in Section 2.2. Additionally, we assume the availability of a set of mutation operators for the xDSL. Second, a domain expert (on the top left) who defines a model (using the xDSL) and a TDL test suite for them.

The first component of the approach is the *Test Case Modifier* (on the left side). It takes the manually-written test suite and the model under test, and generates new test cases by modifying the given test suite (label 1). This modification involves changing the test input data and removing the existing assertions since they are no longer valid due to the data changes. As the test input data are specific to the xDSL that the tested model conforms to, this component uses the xDSL definition for performing the modification. The new test cases are then given to the *Test Runner* (on the bottom left) which is the TDL test execution engine proposed in [28]. The engine executes the test cases on the model and produces their execution traces (label 2).

Our second component is called *Assertion Generator* (on the bottom right) and follows the idea of regression oracle checking [55]. In this technique, assertions are generated based on the execution traces to improve the strength of the regression testing. Accordingly, after running each new test case, our proposed component analyzes the execution trace of the model under test to generate assertions for the test case based on the model's reaction to the new test input data. Again, as the execution trace comprises data conforming to the xDSL that the model conforms to, this component also uses the abstract syntax and the behavioral interface of the xDSL definition,

this time for generating assertions. At the end, its output is a set of new test cases with assertions for regression testing (label 3).

The *Test Case Selector* is the third component of the approach (on the right side). It is in charge of filtering the generated test cases based on some given criteria. Currently, we consider the ability of new test cases in improving the fault localization capability. Accordingly, this component uses an existing mutant generator that produces mutants out of the model under test if the language engineer provides a set of mutation operators for the xDSL (on the top center). It then runs the new test cases on the mutants (using the test runner) and keeps those improving the initial mutation score (i. e. the mutation score of the given manually-written TDL test suite). The process can be iterated on the selected new test cases based on some stop criteria such as reaching a 100 % mutation score (label 4).

3.2 Test Case Modification

The first step of our test amplification process is the modification of existing test cases. This involves performing two tasks on each test case of the considered test suite: modifying the test input data and removing the assertions. The former aims at putting the model under test in unexplored runtime states, and the latter is required since changing the input data makes the existing assertions invalid.

For the former task, we call *modifier* an operator that, when applied to a specific element of an existing test case, generates a new test case that is identical to the former one but for a single modification. A modifier can be applied multiple times on the same test case, yielding a different result depending on the chosen element of the test case. As some modifiers may produce too many different new test cases from a single test case, each modifier may possess

its own *application policy*, which tells on which elements and how many times the modifier will be applied on each test case.

In the proposed approach, we use the following sets of modifiers.

3.2.1 Modification of Primitive Data. We adapt two existing sets of modifiers for modifying test input data that comprise primitive values: (1) the operators proposed by Danglot et al. in [13] for the amplification of JUnit test cases, and (2) the modifiers used by the Pitest mutation testing tool [11] for putting Java programs in new runtime states. The resulting modifiers as follows:

- A *numeric* value n is replaced by either 1 , -1 , 0 , $n + 1$, $n - 1$, $n \times 2$, $n \div 2$, or with another existing value of the same type.
- A *string* value is modified by either adding a random character, removing one of its characters randomly, arbitrarily replacing one of its characters with a random character, or replacing the string with a random string of the same size.
- A *boolean* value is negated.

Each of these modifiers is applied as many times as possible on each considered test case. For instance, the integer modifier will be applied 16 times on a test case containing an event occurrence with two integer parameter (2×8 possibilities).

3.2.2 Modification of Event Sequences. As explained in Section 2.3, the test input data of a TDL test case written for a model is composed of a sequence of event occurrences. According to the xDSL the tested model conforms to, such occurrences are instances of the accepted events of the xDSL's behavioral interface. Each event occurrence may have a set of parameters pointing to the model elements. Following these considerations, we propose the following modifiers to generate new test cases by modifying the input event sequences of a given test case.

- *Event Duplication:* Duplicate an existing event occurrence. Applied on each possible event occurrence of the test case.
- *Event Deletion:* Removes an event occurrence. Applied on each possible event occurrence of the test case.
- *Event Permutation:* Performs a random permutation of two input event occurrences to generate a new test case.
- *Event Creation:* Creates a new event occurrence in the test case. First, the available accepted events of the xDSL's behavioral interface that are not used in the test input data of the given test case are collected. The availability is verified by analyzing whether for the unused event occurrences, a value can be set to their parameters using information from the model under test. If possible, this operator adds new event occurrences to the input event sequences by creating all the possible instances of the available accepted events. In particular, it generates one new test case per event addition as well as a new test case containing all the new instantiated event occurrences. In the later case, when several new event occurrences are added, this new input is modified using other operators such as event duplication, event deletion, and event permutation to generate more new test cases.
- *Event Modification:* Analyzes the model under test to find alternative values for the parameters of the events (i. e. other values of the same type). If any are found, the values of the event parameters are replaced with the alternatives. With each possible modification, it generates a new test case.

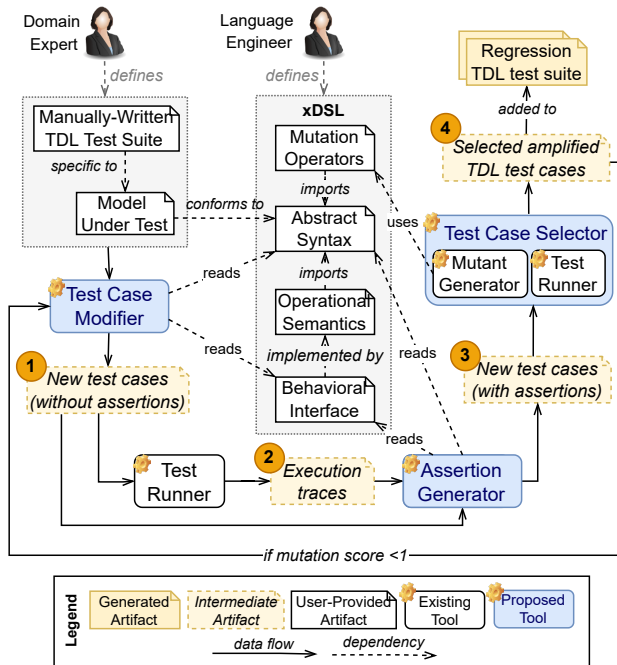


Figure 5: Approach Overview

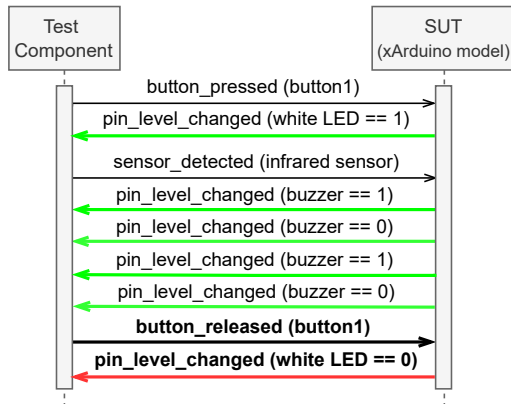


Figure 6: Amplified TDL test case generated from the initial test case of Figure 3 by applying the *event creation* modifier. The last message unsatisfies the assertion then the test case fails, killing the mutant of Figure 4 and improving the initial mutation score

The output of this step is a set of new test cases but still without any assertion. As mentioned in Section 3.1, our approach requires execution traces to generate regression assertions. Accordingly, we execute each new test case on the model under test using the TDL test runner [28] to capture an execution trace (label 2 in Figure 5).

3.3 Assertion Generation

As explained in Section 2.2.3, the execution trace of an executable model comprises a sequence of exposed event instances, according to the behavioral interface of the xDSL the model conforms to. Since the test cases are implemented in TDL, the assertions must be generated in TDL as well. Thus, the main role of the assertion generator is to transform the exposed event instances to TDL elements. This transformation uses the definition of both the behavioral interface and the abstract syntax of the xDSL because event instances conform to the behavioral interface and may carry EObjects of the model under test, which conform to the abstract syntax metamodel.

For example, Figure 6 illustrates a test case generated by our amplification approach from the initial test case shown in Figure 3. In the test case modification phase, the *Event Creation* modifier added a new event, `button_released (button1)`, to the input event sequence. Then, in the assertion generation phase, a new assertion with expected output `pin_level_changed (white LED == 0)` is generated because according to Figure 2, by releasing the button the `else` part of the Sketch will be executed which changes the level of the white LED to 0.

3.4 Test Case Selection

Up to this step, a set of new test cases has been generated, but not necessarily all of them improve the quality of the test suite. In this step, we rely on mutation analysis to evaluate whether a generated test case improves the quality of the test suite. Figure 7 shows the test case selection process. First, the original model under test is mutated using a set of mutation operators for the xDSL (step 1). Then, the original test suite is evaluated on the mutants (step 2) to

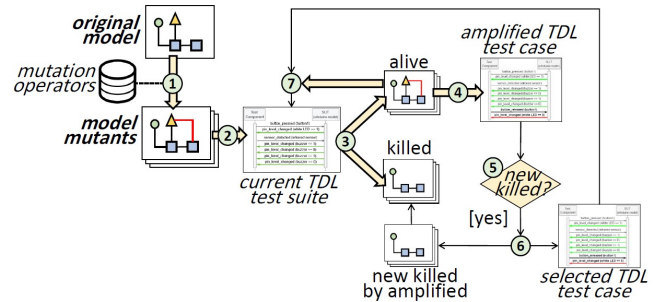


Figure 7: Selecting test cases using mutation analysis

yield a mutation score (step 3). We also keep track of the set of killed and alive mutants.

Next, the process evaluates each amplified test case on the live mutants (step 4) to check whether it fails on any of them (i. e. kills some mutant, step 5) or succeeds (i. e. does not distinguish the mutant from the original model). The amplified test case is selected if it kills at least one live mutant. In such a case, the process incorporates the new killed mutants to the existing set of killed mutants, increasing the mutation score (step 6), and iterates the process on the selected amplified test cases (step 7). The process finishes based on some given stop criteria. Currently, we iterate up to three times while the mutation score is less than 100%.

For example, the new test case of Figure 6 executed on the xArduino mutant (Figure 4) fails. This means that the test case is able to detect the injected fault, and therefore that the mutant has been killed, which increases the mutation score. Hence, the test case is added to the regression TDL test suite of the xArduino model.

4 TOOL SUPPORT

We implemented our proposed approach as part of the GEMOC studio [9], a language and modeling workbench for xDSLs defined on top of the Eclipse Modeling Framework (EMF) [48]. We conveniently reused our earlier testing framework [28], which is also part of the GEMOC studio and provides support for TDL, as explained in Section 2.3.

For the test case selection using mutation analysis, we exploit *WODEL-Test* [22], a tool that is also based on EMF technologies. This tool offers a dedicated DSL that can be used to define sets of mutation operators for any DSL defined by an Ecore metamodel. The tool helps in evaluating the coverage of such set for the language by providing coverage metrics of the operators w.r.t the metamodel [21]. Once the operator set is designed, the tool can systematically apply those operators on initial models, to create sets of mutants. The tool can also perform mutation analysis, applying test cases on the sets of mutants, and calculating the mutation score.

Overall, using the provided tool, a domain expert can select an existing TDL test suite and run the amplification process on it. This generates two files: one containing the new test cases and another reporting their mutation analysis results including the initial mutation score, the final mutation score, the mutants killed by each of them,

and the mutants that are still alive despite the amplification. The source code is available on Zenodo repository⁴.

5 EVALUATION

Next, we evaluate our proposed approach, aiming to answer the following research questions (RQs):

RQ1 How much genericity is provided by the framework in terms of the supported xDSLs?

RQ2 To what extent do the generated test cases increase the mutation score of the original, manually-written, test cases?

RQ3 To what extent do the *size* and the *quality* of the original test suites impact the amplification result?

In the following, we describe the experiment setup (Section 5.1), answer the RQs (Section 5.2) and describe threats to validity of the experiments (Section 5.3). The evaluation data is also accessible from the Zenodo repository⁵.

5.1 Experiment Setup

Setup for RQ1. For the first research question, we intend to evaluate the applicability of our approach to two different xDSLs. The first xDSL is xArduino, already presented in Section 2.2. The second is xDSL is xPSSM, an executable DSL for simulating systems with discrete-event behavior using the Precise Semantics of UML State Machines (PSSM) standard of the Object Management Group (OMG) [39]. Table 1 summarizes the size of these two xDSLs by reporting on the number of classes of their abstract syntax, the number of Lines of Code (LoC) of their operational semantics, and the number of events of their behavioral interface.

As our approach relies on mutation analysis, we defined a set of mutation operators for each xDSL using the WODEL framework [22]. We created 36 operators for xArduino, which only mutate the behavior part of the models, ignoring the physical-related concepts. For xPSSM, we defined 28 mutation operators, based on previous work on state machine mutation [17, 22, 32, 41, 46]. Overall, the metamodel footprint [26] of the mutation operators covers 69.56 % of the xArduino metamodel and 50 % of the xPSSM metamodel.

For each xDSL, we prepared a set of models of different sizes, summarized in Table 1. Specifically, we manually defined 6 xArduino models with sizes ranging from 18 to 59 objects and 5 xPSSM models with sizes between 48 and 154 objects. For xPSSM, the PSSM standard provides a set of UML state machine models, each one with a small test suite (one test case per model) for asserting that a given PSSM implementation executes the models in compliance with the standard [39]. Within this set, we identified a subset of models and test cases that focus on the event-driven behavior of state machines, as expected in the xDSLs considered in our approach. This subset comprises 60 models with sizes between 13 and 69. Hence, overall we considered a total of 65 xPSSM models (5+60).

Setup for RQ2. The second research question aims to assess the ability of the proposed approach for improving manually-written test cases. For this, we manually wrote a set of TDL test cases for each considered model. Cumulatively, we wrote 22 test cases for the xArduino models and 216 test cases for the xPSSM models, where

Table 1: Evaluation Setup

| | | xArduino | xPSSM |
|-----------------|---------------------------------------|----------|--------|
| xDSLs | Abstract syntax size (#EClasses) | 59 | 39 |
| | Operational semantics size (LoC) | 768 | 975 |
| | Behavioral interface size (#Events) | 7 | 4 |
| | #mutation operators | 36 | 28 |
| xModels & Tests | Number of tested models | 6 | 65 |
| | Size range of xModels (#EObjects) | 18-59 | 13-154 |
| | Initial test suite size (#test cases) | 22 | 216 |
| | #generated mutants | 394 | 12,087 |

60 of them were the TDL versions of the test cases provided by the standard PSSM test suite [39].

As explained in Section 3, our approach relies on mutation analysis to measure the degree of achieved improvement on the test suite quality. Accordingly, we used the WODEL mutant generator [20] to apply the defined mutation operators on the considered models. WODEL generated 394 and 12,087 mutants for the xArduino and the xPSSM models, respectively.

Setup for RQ3. The third research question aims to investigate whether the *size* and the *quality* of the initial test suite impacts the amplification result. In this regard, we classified our provided TDL test suites into 4 categories:

- (1) Small Size Medium Quality (SSMQ): having one test case with mutation score < 80 %
- (2) Small Size High Quality (SSHQ): having one test case with mutation score \geq 80 %
- (3) Medium Size Medium Quality (MSMQ): having more than one test case with mutation score < 80 %
- (4) Medium Size High Quality (MSHQ): having more than one test case with mutation score \geq 80 %

The rationale for selecting 80 % as the threshold to classify a test suite as having medium or high quality is because improving the mutation score beyond 80 % is time consuming for developers [47].

For every category and xDSL, Table 2 presents the number of original test cases (column 3), the number of generated mutants (column 4), the number of mutants killed by the original test cases (column 5), and the original mutation score (column 6). The provided numbers are cumulative numbers, and the scores are the average scores considering all provided models and test suites. It should be noted that, when possible, we intentionally reduced the mutation score of a MSHQ test suite to have a new version of it as MSMQ or SSMQ (i. e. if reducing the mutation score had resulted in keeping only one test case in the new version of the test suite).

5.2 Evaluation Result

Answering RQ1. The purpose of the first research question is to assess whether the approach can amplify test cases for various xDSLs. To answer this question, we used the prototype presented in Section 4 for the two considered xDSLs, and executed the test amplification tool on the 71 test suites. For 67 of them, new test

⁴ <https://doi.org/10.5281/zenodo.7007576>

⁵ <https://doi.org/10.5281/zenodo.7007576>

Table 2: Evaluation result for amplifying test suites with different sizes and qualities

| | | # Orig. test cases | # Generated mutants | # Killed mutants by orig. test cases | Orig. mutation score | # New ampl. test cases | # New killed mutants by ampl. tests | Mutation score improvement | Regression test suite size (# orig. + # ampl.) | Regression test suite global score (orig. + improv.) |
|------|----------|--------------------|---------------------|--------------------------------------|----------------------|------------------------|-------------------------------------|----------------------------|--|--|
| SSMQ | xArduino | 4 | 148 | 60 | 44.08% | 8 | 65 | 42.85% | 12 | 86.93% |
| | xPSSM | 43 | 5,653 | 4,022 | 71.99% | 101 | 400 | 8.69% | 144 | 80.68% |
| SSHQ | xArduino | 1 | 15 | 13 | 86.67% | 1 | 2 | 13.33% | 2 | 100.00% |
| | xPSSM | 18 | 2,205 | 1,873 | 84.38% | 36 | 133 | 7.13% | 54 | 91.51% |
| MSMQ | xArduino | 2 | 231 | 106 | 45.89% | 3 | 125 | 54.11% | 5 | 100.00% |
| | xPSSM | 44 | 4,229 | 3,385 | 74.23% | 55 | 459 | 14.26% | 99 | 88.49% |
| MSHQ | xArduino | 6 | 241 | 222 | 91.10% | 3 | 19 | 8.90% | 9 | 100.00% |
| | xPSSM | 156 | 4,453 | 4,249 | 93.28% | 47 | 88 | 3.17% | 203 | 96.45% |

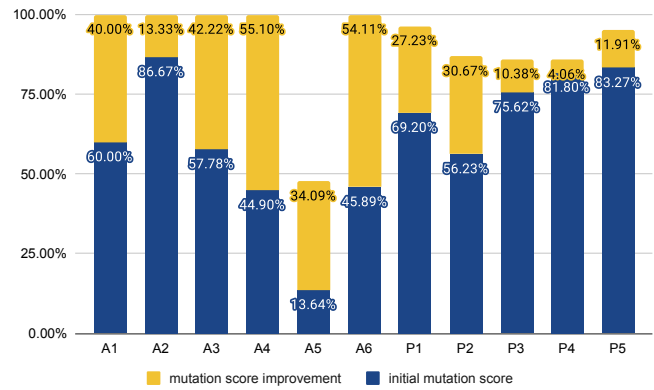
cases were successfully generated—a total of 244—improving their original mutation score between 3.17 % and 54.11 % on average, based on the initial setup (detailed results are given shortly after while answering the next research questions). Therefore, we can conclude that the approach does provide a certain level of genericity, i. e. the approach is not solely dedicated to a single specific xDSL, and can be applied on at least two different ones.

It is also worth mentioning that, to support an additional xDSL with our test amplification approach, the only additional cost for the language engineer is to define a set of mutation operators for the xDSL. These operators are defined once and can be reused for other purposes, such as test quality measurement [15, 24] and fault localization based on mutation analysis [53].

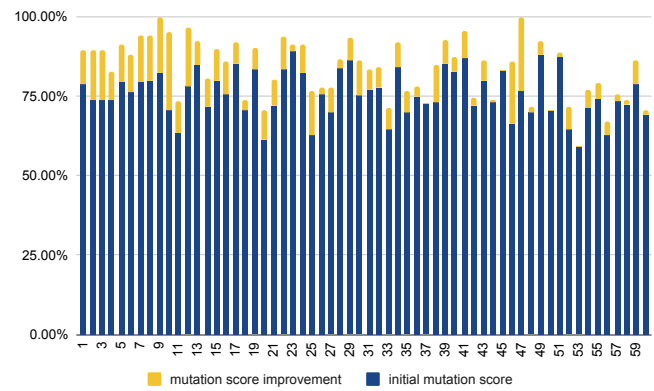
Answering RQ2. To answer the second research question, we must evaluate the degree of improvement provided by the generated test cases. Figure 8 presents the results for the selected 71 test suites using bar charts. Figure 8(a) displays the result for the 11 test suites of manually defined models, that is, 6 xArduino models (A bars) and 5 xPSSM models (P bars). We have obtained mutation score improvements for all test suites, ranging from 4.06 % (P4) to 55.10 % (A4). Additionally, the final mutation score for 5 test suites (A1-A4 and A6) reaches 100 % after amplification. Figure 8(b) shows the result for the 60 test suites from the PSSM standard [39]; where each test suite has only one test case. Except for 4 cases (bars 37, 45, 50 and 53), the mutation score is improved, reaching 100 % for 2 test suites (bars 9 and 47). This also means that, even when starting from small test suites with just one test case, the approach is able to provide improvement. These results reveal the success of our test amplification approach in improving the mutation score of the models’ test suites. However, the rate of improvement is different case by case, as we will discuss while answering RQ3.

Answering RQ3. Given a test suite to be amplified, its *size* (i. e. number of test cases) and *quality* (i. e. mutation score) may influence the level of improvement that our approach provides. The third

research question targets this matter and to answer it, we run the



(a) Mutation score improvement for manually-provided data set



(b) Mutation score improvement for existing data set

Figure 8: Mutation score improvement by test amplification

experiment in four different setups. Table 2 lists detailed numbers related to our experiment. First, we compare the results for the test suites of the same size but with different qualities (SSMQ vs SSHQ, and MSMQ vs MSHQ). As can be seen, the number of new test cases (column 7) and the average improvement (column 9) for high-quality tests is less than the one of medium-quality tests. This is due to the fact that high-quality test suites need less improvement. However, the final mutation score of the regression test suite (last column) – the sum of the original score and the score improvement – is higher for high-quality tests. For example, for xArduino, the mutation score of SSMQ test suites is improved from 44.08 % to 86.93 %, but for the SSHQ ones, it is improved from 86.67 % to 100 %. Note that the scores refer to the average score of all considered test suites in each category. Also for xPSSM, the mutation score for the SSMQ test suites improves from 71.99 % to 80.68 %, and for the SSHQ ones from 84.38 % to 91.51 %. This could imply that, when the original test cases have higher quality, there is more room for test amplification. By amplifying high-quality tests, it is more probable to generate new *effective* test cases.

Second, we compare the results for the test suites with different sizes but similar qualities (SSMQ vs MSMQ, and SSHQ vs MSHQ). According to the numbers in the last column, the final mutation score is higher when the original test suite has more test cases. For instance, comparing the final mutation score of the xArduino test suites, for SSMQ is 86.93 % while for MSMQ is 100 %, and for both SSHQ and MSHQ is 100 %. Likewise, for the xPSSM test suites, the final mutation score is 80.68 % for SSMQ but 88.49 % for MSMQ, and 91.51 % for SSHQ but 96.45 % for MSHQ. Therefore, for test suites with more test cases, it appears that there is more chance to generate new test cases improving the mutation score. A possible explanation is that our approach runs the amplification on *every* test case of the original test suite, each time by applying all the possible modifiers to generate as many new test cases as possible. Hence, the more available initial test cases, the more generated test cases, and the more chances for improving of the test suite quality.

5.3 Threats to Validity

We listed multiple threats to the validity of our experiment. Although we tried to apply the approach on two xDSLs from very different domains, there is still an external threat on the genericity of our approach. Therefore, we would like to apply our approach on more xDSLs in the future. Following the same direction, as the granularity of the behavioral interface of the xDSLs has a direct impact on the diversity of the test cases, we plan to explore the approach on xDSLs with more complex behavioral interfaces.

We iterated the amplification process while there is a progress, meaning that the input for the next iteration is the output of the current iteration, i. e. only those new test cases improving the mutation score (label 4 in Figure 5). Without this test case selection criterion (i. e. iterating from label 3 of Figure 5), the number of generated test cases increases exponentially after a few iterations. However, the non-effective test cases (i. e. test cases not contributing in improving the mutation score in the current iteration) might become effective in the next iterations since a combination of several modifiers are applied on them. It is also worth mentioning that we experimented the tool for up to 3 iterations while the mutation score is less than

100 % to avoid a huge experimentation time; nonetheless, we may reach higher mutation scores with more iterations. Hence, the users of the tool are allowed to change this stop criterion.

For test case modification, we used the modifiers presented in Section 3.2. Other more complex modifiers could be devised, which may show more effectiveness in fault localization. We plan to investigate this in future work, but we have shown that our proposed modifier set is enough to find effective amplified test cases.

As discussed in Section 3, we assume that a set of mutation operators has been provided for each considered xDSL. Depending on the quality of these operators (e. g. their metamodel footprint) the diversity of the generated mutants would differ, leading to variations in the effectiveness of the test amplification tool. It would be interesting to consider other test case selection criteria such as increasing coverage, which is left to our future work.

Usually, amplified test cases must be approved by the developers who wrote the original test cases. Accordingly, there is a need for a user-centric evaluation to assess the value of the generated TDL test cases from the user's perspective.

6 RELATED WORK

This section provides an overview of related research regarding test input data modification (Section 6.1), test amplification for regression testing (Section 6.2) and test case generation for behavioral models (Section 6.3), identifying the innovations of our approach.

6.1 Test Input Data Modification

Data mutation testing [45] is a method inspired by the classical mutation testing for generating large test suites from a seed of a small set of test cases. The difference lies in how and where the mutation operators are applied. In mutation testing, the mutation operators are applied to the source code of a program to measure the adequacy of the test suite. Instead, data mutation applies mutation operators to the input data for generating test cases.

In the last years, this method has been applied for different purposes [49, 56, 58]. Sun et al. [49] propose a methodology for generating metamorphic relations. These relations are created by applying data mutation in the input relation. Then, a combination of constraint validation and generic mapping rules is used to generate output relations. Similarly, Zhu [58] introduces JFuzz, an automated framework for Java unit testing that combines data mutation and metamorphic testing for deriving and expressing metamorphic relations. Xuan et al. [56] present a proposal for detecting program failures by reproducing crashes through data mutation. In contrast to the previous approaches, their work does not focus on generating new test cases, but on updating the existing ones for triggering crashes on the program under study and therefore, finding errors.

Generating input test cases is also essential for fuzzy testing [57], which consists of generating random input data as a test case, and monitor the program for crashes or failing assertions. Fuzzers—the programs generating the inputs—can generate new inputs from scratch or modify existing ones using data mutation.

Innovation of our approach. Compared to these approaches, our input modifiers consider both primitive data and event sequences, where in addition, event parameters are model objects.

6.2 Test Amplification for Regression Testing

Several approaches use test amplification for regression testing. Xie [55] presents a framework for augmenting test suites with regression oracle checking. This proposal is supported by a tool, called Orstra, which focuses on asserting the behavior of JUnit test cases. For this purpose, Orstra amplifies automatically generated test suites by systematically adding assertions for improving their capability of avoiding regression faults. DSpot [13] targets the automatic amplification of JUnit test cases. It combines input space exploration [50] with regression oracle generation [55] techniques. The former is applied for putting the program under test in never explored states, and the latter aims at generating assertions for those new states. Given a set of manually-written JUnit test cases, DSpot generates variants of them which improve the mutation score. On the basis of DSpot, Abdi et al. [1] propose Small-Amp, an amplification approach for the Pharo Smalltalk ecosystem. Ebert et al. [13][44] provide a test amplification tool for Python. To this aim, the authors rely on the DSpot design, combining with Small-Amp features to alleviate the shortcomings related to dynamically typed languages.

Assis et al. [14] present an approach for test amplification of cross-platform applications. For this, the authors use four test patterns that analyze well-known features of a mobile application. Similarly to our approach, the test input data is a sequence of events that is exchanged with the SUT, but their input modifiers are defined using a set of test patterns specific to mobile applications.

Innovation of our approach. In general, all existing amplification tools target programs implemented by general-purpose languages such as Java [13], Pharo Smalltalk [1], and Python [44]. In contrast, our proposal supports executable models defined by xDSLs.

6.3 Test Case Generation for Behavioral Models

Some researchers have used model-driven engineering (MDE) or other automated means to generate test cases from modeling artifacts, most notably from requirement models, use cases, or activity diagrams [5, 30, 43, 52]. Most of these efforts follow one of two main approaches for test case generation: path/coverage analysis [30, 43], or category partition [43, 52]. The former approach is based on analyzing all possible paths of behavior in the source model, and the latter partitions the requirements under test and generates test cases for combinations of such partitions. Differently from us, these efforts are specific for models of system functional requirements, they do not assume an initial set of test cases, and do not propose any test case improvement technique.

Outside requirements modeling, test case generation for behavioral models has been handled using different methods. For example, Frolich and Link [18] generate test cases from Statecharts by translating the Statecharts into a planning problem, and using a planning tool to find test cases as solutions to the problem. Ahmadi and Hili [3] present an approach for automatically test components of UML-RT models with respect to a set of properties defined by state machines, and apply slicing to reduce the size of the components with respect to the properties. Rocha et al. [42] generate JUnit test cases from sequence diagrams via a transformation of the latter into extended finite state machines. From fUML activity diagrams, Iqbal et al. [25] generate test cases with input data to cover all executable paths of the diagrams, together with their expected output. The interested

reader can consult [2] for a recent survey on model-based testing using activity diagrams, including test case generation. In summary, test case generation for behavioral models has been tackled in the literature, but the proposals are normally language-specific, while our approach aims to be generic. Moreover, these proposals do not target test amplification (i. e. improving an existing test suite).

Also in the modeling area, some research efforts focus on test case generation for model transformations, or transformation models. A test case in this scenario comprises an input model to the transformation and an oracle function. For example, Giron et al. [19] use software product lines and input metamodel coverage to generate a reduced set of test cases for transformations; Guerra and Soeken [23] use constraint solving to generate test models and partial oracles from declarative transformation specifications; Al-Azzoni and Iqbal [4] apply test case prioritization for regression of transformations based on an analysis of the transformation rules' coverage; and Troya et al. [51] infer likely metamorphic relations for ATL transformations, which can be used for metamorphic testing. In a similar way as we analyze the test execution traces to derive test assertions, Troya et al. rely on the traces of the transformation executions to derive the metamorphic relations. However, their goal (metamorphic testing) and ours (amplification) are different.

Innovation of our approach. Altogether, we find a variety of approaches for test case generation in the modeling area, but to our knowledge, ours is the first one targeting test case improvement for xDSLs. Our test amplification proposal can be used as a complement to these existing test case generation approaches to improve the quality of their generated test suites for regression testing.

7 CONCLUSION AND FUTURE WORK

In this paper, we have presented an approach for amplifying test cases of executable models. The method targets the regression testing of models built using xDSLs, where TDL is used to describe test cases. The method is generic and applicable to any xDSL. We propose tool support atop the GEMOC studio and report on an evaluation on two different xDSLs that shows the benefits of the method in terms of the improved effectiveness of the amplified test cases, as given by the mutation score.

As future work, we would like to expand our tool support. For example, input modifiers changing event sequences may need to create dynamic objects following certain criteria. We envision using search-based techniques, e. g. based on MOMoT [8] for this purpose. Moreover, the whole amplification process could be recast as a search process, e. g. based on genetic algorithms. This way, crossover operators for the TDL test cases would need to be defined, input modifiers would be used as mutation operators, and the fitness function would be driven by mutation score improvement. We would also like to make explicit and extensible the set of input modifiers, possibly via a dedicated DSL. Another interesting extension would be to consider coverage as a criterion for our test case selector component. With regards to the evaluation, we would like to expand our experiments to be able to answer other interesting research questions, such as which are the most effective modifiers, or which kind of mutants are killed by each used modifier. Finally, given the promising results obtained so far, we aim at investigating test case amplification for other purposes than regression testing.

ACKNOWLEDGMENTS

This project has received funding from the European Union’s Horizon 2020 research and innovation program under the Marie Skłodowska Curie grant agreement No 813884, the Spanish Ministry of Science (PID2021-122270OB-I00) and the R&D programme of Madrid (P2018/TCS-4314).

REFERENCES

- [1] Mehrdad Abdi, Henrique Rocha, and Serge Demeyer. 2019. Test amplification in the pharo smalltalk ecosystem. In *Proceedings IWST 2019 International Workshop on Smalltalk Technologies. ESUG*.
- [2] Tanwir Ahmad, Junaid Iqbal, Adnan Ashraf, Dragos Truscan, and Ivan Porres. 2019. Model-based testing using UML activity diagrams: A systematic mapping study. *Computer Science Review* 33 (2019), 98–112. <https://doi.org/10.1016/j.cosrev.2019.07.001>
- [3] Reza Ahmadi, Nicolas Hili, and Juergen Dingel. 2018. Property-Aware Unit Testing of UML-RT Models in the Context of MDE. In *Proceedings of the 14th European Conference on Modelling Foundations and Applications (ECMFA) (Lecture Notes in Computer Science, Vol. 10890)*. Springer, 147–163.
- [4] Issam Al-Azzoni and Saqib Iqbal. 2021. A Framework for the Regression Testing of Model-to-Model Transformations. *e-Infomatica Software Engineering Journal* 15, 1 (2021), 65–84.
- [5] Sai Chaitra Allala, Juan P. Sotomayor, Dionny Santiago, Tariq M. King, and Peter J. Clarke. 2019. Towards Transforming User Requirements to Test Cases Using MDE and NLP. In *43rd IEEE Annual Computer Software and Applications Conference (COMPSAC)*. IEEE, 350–355.
- [6] J.H. Andrews, L.C. Briand, Y. Labiche, and A.S. Namin. 2006. Using Mutation Analysis for Assessing and Comparing Testing Coverage Criteria. *IEEE Transactions on Software Engineering* 32, 8 (2006), 608–624. <https://doi.org/10.1109/TSE.2006.83>
- [7] Reda Bendraou, Benoit Combemale, Xavier Crégut, and Marie-Pierre Gervais. 2007. Definition of an eExecutable SPEM 2.0. In *14th Asia-Pacific Software Engineering Conference (APSEC)*. IEEE Computer Society, Nagoya, Japan, 390–397. <https://hal.archives-ouvertes.fr/hal-00371555>
- [8] Robert Bill, Martin Fleck, Javier Troya, Tanja Mayerhofer, and Manuel Wimmer. 2019. A local and global tour on MOMoT. *Software and Systems Modeling* 18, 2 (2019), 1017–1046. <https://doi.org/10.1007/s10270-017-0644-3>
- [9] Erwan Bousse, Thomas Degueule, Didier Vojtisek, Tanja Mayerhofer, Julien Deantoni, and Benoit Combemale. 2016. Execution framework of the GEMOC Studio (tool demo). In *Proceedings of the 2016 ACM SIGPLAN International Conference on Software Language Engineering*, 84–89.
- [10] Pablo C. Cañizares, Pablo Gómez-Abajo, Alberto Núñez, Esther Guerra, and Juan de Lara. 2021. New ideas: automated engineering of metamorphic testing environments for domain-specific languages. In *SLE '21: 14th ACM SIGPLAN International Conference on Software Language Engineering, Chicago, IL, USA, October 17 - 18, 2021*. ACM, 49–54.
- [11] Henry Coles, Thomas Laurent, Christopher Henard, Mike Papadakis, and Anthony Ventresque. 2016. PIT: A Practical Mutation Testing Tool for Java (Demo). In *International Symposium on Software Testing and Analysis (ISSTA)* (Saarbrücken, Germany). ACM, 449–452. <https://doi.org/10.1145/2931037.2948707> See also <https://pitest.org/quickstart/mutators>, <https://github.com/hcoles/pitest>.
- [12] Benjamin Danglot, Oscar Vera-Perez, Zhongxing Yu, Andy Zaidman, Martin Monperrus, and Benoit Baudry. 2019. A snowballing literature study on test amplification. *Journal of Systems and Software* 157 (2019), 110398. <https://doi.org/10.1016/j.jss.2019.110398>
- [13] Benjamin Danglot, Oscar Luis Vera-Pérez, Benoit Baudry, and Martin Monperrus. 2019. Automatic Test Improvement with DSpot: a Study with Ten Mature Open-Source Projects. *Empirical Software Engineering* 24, 4 (2019), 1–35. <https://doi.org/10.1007/s10664-019-09692-y>
- [14] Thiago Botti de Assis, Andre Augusto Menegassi, and André Takeshi Endo. 2019. Amplifying Tests for Cross-Platform Apps through Test Patterns. In *The 31st International Conference on Software Engineering and Knowledge Engineering, SEKE 2019, Hotel Tivoli, Lisbon, Portugal, July 10-12, 2019*. Angelo Perkusich (Ed.). KSI Research Inc. and Knowledge Systems Institute Graduate School, 55–74. <https://doi.org/10.18293/SEKE2019-076>
- [15] Richard A. DeMillo, Richard J. Lipton, and Frederick G. Sayward. 1978. Hints on Test Data Selection: Help for the Practicing Programmer. *IEEE Computer* 11, 4 (1978), 34–41.
- [16] Sebastian Erdweg, Tijds van der van der Storm, Markus Voelter, Laurence Tratt, Remi Bosman, William R. Cook, Albert Gerritsen, Angelo Hulshout, Steven Kelly, Alex Loh, Gabriël Konat, Pedro J. Molina, Martin Palatnik, Risto Pohjonen, Eugen Schindler, Klemens Schindler, Riccardo Solmi, Vlad Vergu, Eelco Visser, Kevin van der van der Vlist, Guido Wachsmuth, and Jimi van der van der Woning. 2015. Evaluating And Comparing Language Workbenches: Existing Results And Benchmarks For The Future. *Computer Languages, Systems and Structures* 44, Part A (2015), 24 – 47. <https://doi.org/10.1016/j.cl.2015.08.007>
- [17] S.C.P.F. Fabbri, J.C. Maldonado, and M.E. Delamaro. 1999. Proteum/FSM: a tool to support finite state machine validation based on mutation testing. In *Proceedings. SCCC'99 XIX International Conference of the Chilean Computer Science Society*. 96–104.
- [18] Peter Fröhlich and Johannes Link. 2000. Automated Test Case Generation from Dynamic Models. In *Proceedings of the 14th European Conference on Object-Oriented Programming (ECOOP) (Lecture Notes in Computer Science, Vol. 1850)*, Elisa Bertino (Ed.). Springer, 472–492.
- [19] Alexandre A. Giron, Itana Maria de Souza Gimenes, and Edson Oliveira Jr. 2018. Evaluation of Test Case Generation based on a Software Product Line for Model Transformation. *Journal of Computer Science* 14, 1 (2018), 108–121. <https://doi.org/10.3844/jcssp.2018.108.121>
- [20] Pablo Gómez-Abajo, Esther Guerra, Juan de Lara, and Mercedes G. Merayo. 2018. A tool for domain-independent model mutation. *Science of Computer Programming* 163 (2018), 85–92. <https://doi.org/10.1016/j.scico.2018.01.008>
- [21] Pablo Gómez-Abajo, Esther Guerra, Juan de Lara, and Mercedes G. Merayo. 2020. Systematic Engineering of Mutation Operators. *Journal of Object Technology* 19, 3 (2020), 3:1–16. <https://doi.org/10.5381/jot.2020.19.3.a5>
- [22] Pablo Gómez-Abajo, Esther Guerra, Juan de Lara, and Mercedes G Merayo. 2021. Wodel-Test: a model-based framework for language-independent mutation testing. *Software and Systems Modeling* 20, 3 (2021), 767–793. <https://doi.org/10.1007/s10270-020-00827-0>
- [23] Esther Guerra and Mathias Soeken. 2015. Specification-driven model transformation testing. *Software and Systems Modeling* 14, 2 (2015), 623–644. <https://doi.org/10.1007/s10270-013-0369-x>
- [24] Richard G. Hamlet. 1977. Testing Programs with the Aid of a Compiler. *IEEE Transactions on Software Engineering* 3, 4 (1977), 279–290. <https://doi.org/10.1109/TSE.1977.231145>
- [25] Junaid Iqbal, Adnan Ashraf, Dragos Truscan, and Ivan Porres. 2019. Exhaustive Simulation and Test Generation Using UML Activity Diagrams. In *Proceedings of the 31st International Conference on Advanced Information Systems Engineering (CAiSE) (Lecture Notes in Computer Science, Vol. 11483)*. Springer, 96–110.
- [26] Cédric Jeanneret, Martin Glinz, and Benoit Baudry. 2011. Estimating footprints of model operations. In *2011 33rd International Conference on Software Engineering (ICSE)*. IEEE, 601–610.
- [27] Faezeh Khorram, Erwan Bousse, Jean-Marie Mottu, and Gerson Sunyé. 2021. Adapting TDL to Provide Testing Support for Executable DSLs. *Journal of Object Technology* 20, 3 (2021), 6:1–15.
- [28] Faezeh Khorram, Erwan Bousse, Jean-Marie Mottu, and Gerson Sunyé. 2022. Advanced Testing and Debugging Support for Reactive Executable DSLs. *Software and Systems Modeling* (2022). <https://hal.archives-ouvertes.fr/hal-03723920>
- [29] Tomaz Kos, Marjan Mernik, and Tomaz Kosar. 2016. Test automation of a measurement system using a domain-specific modelling language. *Journal of Systems and Software* 111 (2016), 74 – 88.
- [30] Stefan Kriebel, Matthias Markthaler, Karin Samira Salman, Timo Greifenberg, Steffen Hillemacher, Bernhard Rumpe, Christoph Schulze, Andreas Wortmann, Philipp Orth, and Johannes Richenhagen. 2018. Improving model-based testing in automotive software engineering. In *Proceedings of the 40th International Conference on Software Engineering: Software Engineering in Practice (ICSE-SEIP)*. ACM, 172–180.
- [31] Dorian Leroy, Erwan Bousse, Manuel Wimmer, Tanja Mayerhofer, Benoit Combemale, and Wieland Schwinger. 2020. Behavioral interfaces for executable DSLs. *Software and Systems Modeling* 19, 4 (2020), 1015–1043.
- [32] Jin-hua Li, Geng-xin Dai, and Huan-huan Li. 2009. Mutation Analysis for Testing Finite State Machines. In *2009 Second International Symposium on Electronic Commerce and Security*. 620–624.
- [33] Daniel Lübke and Tammo van Lessen. 2017. BPMN-Based Model-Driven Testing of Service-Based Processes. In *Enterprise, Business-Process and Information Systems Modeling*. Springer, 119–133.
- [34] Philip Makedonski, Gusztáv Adamis, Martti Käärik, Finn Kristoffersen, Michele Carignani, Andreas Ulrich, and Jens Grabowski. 2019. Test descriptions with ETSI TDL. *Software Quality Journal* 27, 2 (2019), 885–917.
- [35] Tanja Mayerhofer and Benoit Combemale. 2018. The Tool Generation Challenge for Executable Domain-Specific Modeling Languages. In *Software Technologies: Applications and Foundations*, Martina Seidl and Steffen Zschaler (Eds.). Springer International Publishing, Cham, 193–199.
- [36] Bart Meyers, Joachim Denil, István Dávid, and Hans Vangheluwe. 2016. Automated testing support for reactive domain-specific modelling languages. In *Proceedings of the 2016 ACM SIGPLAN International Conference on Software Language Engineering*. Association for Computing Machinery, 181–194.
- [37] Stefan Mijatov, Tanja Mayerhofer, Philip Langer, and Gerti Kappel. 2015. Testing Functional Requirements in UML Activity Diagrams. In *Tests and Proofs*, Jasmijn Christian Blanchette and Nikolai Kosmatov (Eds.). Springer International Publishing, Cham, 173–190.
- [38] OASIS. 2007. Web Services Business Process Execution Language Version 2.0.

- [39] Object Management Group (OMG). 2019. Precise Semantics of UML State Machines. <https://www.omg.org/spec/PSSM/1.0/About-PSSM/>. (last accessed in April 2022).
- [40] Object Management Group (OMG). 2021. Semantics of a Foundational Subset for Executable UML Models. <https://www.omg.org/spec/FUML/>. (last accessed in April 2022).
- [41] S.C. Pinto Ferraz Fabbri, M.E. Delamaro, J.C. Maldonado, and P.C. Masiero. 1994. Mutation analysis testing for finite state machines. In *Proceedings of 1994 IEEE International Symposium on Software Reliability Engineering*. 220–229.
- [42] Mauricio Rocha, Adenildo Simão, and Thiago Sousa. 2021. Model-based test case generation from UML sequence diagrams using extended finite state machines. *Software Quality Journal* 29, 3 (2021), 597–627. <https://doi.org/10.1007/s11219-020-09531-0>
- [43] Javier Jesus Gutiérrez Rodríguez, María José Escalona Cuaresma, and Manuel Mejías Risoto. 2015. A Model-Driven approach for functional test case generation. *Journal of Systems and Software* 109 (2015), 214–228. <https://doi.org/10.1016/j.jss.2015.08.001>
- [44] Ebert Schoofs, Mehrdad Abdi, and Serge Demeyer. 2021. AmPyfier: Test Amplification in Python. *CoRR* abs/2112.11155 (2021). [arXiv:2112.11155](https://arxiv.org/abs/2112.11155)
- [45] Lijun Shan and Hong Zhu. 2009. Generating Structurally Complex Test Cases By Data Mutation: A Case Study Of Testing An Automated Modelling Tool. *Comput. J.* 52, 5 (2009), 571–588. <https://doi.org/10.1093/comjnl/bxm043>
- [46] Faezeh Siavashi, Dragos Truscan, and Jüri Vain. 2018. Vulnerability Assessment of Web Services with Model-Based Mutation Testing. In *2018 IEEE International Conference on Software Quality, Reliability and Security (QRS)*. 301–312.
- [47] Ben H Smith and Laurie Williams. 2009. On guiding the augmentation of an automated test suite via mutation analysis. *Empirical software engineering* 14, 3 (2009), 341–369.
- [48] Dave Steinberg, Frank Budinsky, Ed Merks, and Marcelo Paternostro. 2008. *EMF: eclipse modeling framework*. Pearson Education.
- [49] Chang-ai Sun, Yiqiang Liu, Zuoyi Wang, and W. K. Chan. 2016. μ MT: A Data Mutation Directed Metamorphic Relation Acquisition Methodology. In *Proceedings of the 1st International Workshop on Metamorphic Testing (Austin, Texas) (MET '16)*. Association for Computing Machinery, New York, NY, USA, 12–18. <https://doi.org/10.1145/2896971.2896974>
- [50] Paolo Tonella. 2004. Evolutionary Testing of Classes. In *Proceedings of the 2004 ACM SIGSOFT International Symposium on Software Testing and Analysis (Boston, Massachusetts, USA) (ISSTA '04)*. Association for Computing Machinery, New York, NY, USA, 119–128. <https://doi.org/10.1145/1007512.1007528>
- [51] Javier Troya, Sergio Segura, and Antonio Ruiz Cortés. 2018. Automated inference of likely metamorphic relations for model transformations. *Journal of Systems and Software* 136 (2018), 188–208. <https://doi.org/10.1016/j.jss.2017.05.043>
- [52] Marlon Vieira, Johanne Leduc, William M. Hasling, Rajesh Subramanian, and Jürgen Kazmeier. 2006. Automation of GUI Testing Using a Model-driven Approach. In *Proceedings of the 2006 International Workshop on Automation of Software Test (AST)*. ACM, 9–14.
- [53] W Eric Wong, Ruizhi Gao, Yihao Li, Rui Abreu, and Franz Wotawa. 2016. A survey on software fault localization. *IEEE Transactions on Software Engineering* 42, 8 (2016), 707–740.
- [54] Hui Wu, Jeff Gray, and Marjan Mernik. 2009. Unit Testing for Domain-Specific Languages. In *Domain-Specific Languages*, Walid Mohamed Taha (Ed.). Springer Berlin Heidelberg, Berlin, Heidelberg, 125–147.
- [55] Tao Xie. 2006. Augmenting Automatically Generated Unit-Test Suites with Regression Oracle Checking. In *ECOOP 2006 - Object-Oriented Programming, 20th European Conference, Nantes, France, July 3-7, 2006, Proceedings (Lecture Notes in Computer Science, Vol. 4067)*, Dave Thomas (Ed.). Springer, 380–403. https://doi.org/10.1007/11785477_23
- [56] Jifeng Xuan, Xiaoyuan Xie, and Martin Monperrus. 2015. Crash Reproduction via Test Case Mutation: Let Existing Test Cases Help. In *Proceedings of the 2015 10th Joint Meeting on Foundations of Software Engineering (Bergamo, Italy) (ESEC/FSE 2015)*. Association for Computing Machinery, New York, NY, USA, 910–913. <https://doi.org/10.1145/2786805.2803206>
- [57] Andreas Zeller, Rahul Gopinath, Marcel Böhme, Gordon Fraser, and Christian Holler. 2021. *The Fuzzing Book*. CISPA Helmholtz Center for Information Security. <https://www.fuzzingbook.org/> Retrieved 2021-10-26 15:30:20+02:00.
- [58] Hong Zhu. 2015. JFuzz: A Tool for Automated Java Unit Testing Based on Data Mutation and Metamorphic Testing Methods. In *2015 Second International Conference on Trustworthy Systems and Their Applications*. 8–15. <https://doi.org/10.1109/TSA.2015.13>