



HAL
open science

Advantages in Using a Stock Spring Selection Tool that Manages the Uncertainty of the Designer Requirements

Manuel Paredes, Marc Sartor, Cédric Masclet

► To cite this version:

Manuel Paredes, Marc Sartor, Cédric Masclet. Advantages in Using a Stock Spring Selection Tool that Manages the Uncertainty of the Designer Requirements. *Evolutionary Design and Manufacture*, Springer London, pp.69-80, 2000, 10.1007/978-1-4471-0519-0_6 . hal-03744455

HAL Id: hal-03744455

<https://hal.science/hal-03744455>

Submitted on 2 Aug 2022

HAL is a multi-disciplinary open access archive for the deposit and dissemination of scientific research documents, whether they are published or not. The documents may come from teaching and research institutions in France or abroad, or from public or private research centers.

L'archive ouverte pluridisciplinaire **HAL**, est destinée au dépôt et à la diffusion de documents scientifiques de niveau recherche, publiés ou non, émanant des établissements d'enseignement et de recherche français ou étrangers, des laboratoires publics ou privés.

ADVANTAGES IN USING A STOCK SPRING SELECTION TOOL THAT MANAGES THE UNCERTAINTY OF THE DESIGNER REQUIREMENTS

https://doi.org/10.1007/978-1-4471-0519-0_6

Manuel PAREDES, Marc SARTOR, Cédric MASCLLET
LGMT, INSA, 135 avenue de Rangueil 31077 Toulouse Cedex 4
manuel.paredes@insa-tlse.fr

Abstract. This paper analyses the advantages of using a stock spring selection tool that manages the uncertainty of designer requirements. Firstly, the manual search and its main drawbacks are described. Then a computer assisted stock spring selection tool is presented which performs all necessary calculations to extract the most suitable spring from within a database. The algorithm analyses data set with interval values using both multi-criteria analysis and fuzzy logic. Two examples, comparing manual and assisted search, are presented. They show not only that the results are significantly better using the assisted search but it helps designers to detail easily and precisely their specifications and thus increase design process flexibility.

1. Introduction

The creation of mechanical objects is often the end result of a long design process. Standard component selection is perhaps the simplest, but nonetheless an important, class of design decision problems as catalogues are becoming increasingly common and voluminous.

Let us analyze the method commonly used by design engineers to select stock springs in order to highlight the difficulties they encounter, the help they can find today and what could be added to improve it.

The usual method for selecting stock springs can be divided in three steps:

- Step 1 : evaluate, from the requirements, certain spring design parameters among those classified in the catalogue of the chosen spring manufacturer.
- Step 2 : find springs that are within parameter limits.
- Step 3 : calculate the operating parameters for each spring short-listed, so as to select one that satisfies the specifications.

Designers are confronted here with the following problem. On the one hand, when the specification is vague, it is difficult to choose the best spring from the large range available. When the specification is precise, on the other hand, choice of an appropriate spring becomes limited.

As paper-based methods are tedious and time-consuming, Yuyi [1] has implemented the first two steps of the search in an expert system but where step 3 has to be calculated. Technical literature provides mathematical methods to calculate the design parameters corresponding to the optimal design (Sandgren [2],

Kannan and Kramer [3], Deb and Goyal [4]). These methods can be used in step 1 but problems have been simplified and the practical existence of the spring is never envisaged.

Text-only systems such as "SPEC" [5] have been developed which assist the designer during step 2. As with many computer-based methods, if the requirements are not specified precisely enough or lie outside the catalogue range, "all or nothing" search results can be obtained [6].

Finally, industrial software available for a designer during the spring definition work such as "Compression spring Software" from IST® [7], can be used in step 3.

The first drawback of the common component selection method is that it may take a long time when the requirements are advanced. The process time remains significant even when dealing with the simplest applications. The second disadvantage is the approximate nature of the procedure. Usually, a spring is selected without being sure of the pertinence of the choice. Generally, the designer cannot affirm that a spring best matching his specifications does not exist.

But the main drawback is probably the decrease in the design process flexibility as illustrated in Fig. 1. Once a stock spring has been selected, the designer is inclined to keep it unchanged for as long as possible to avoid the time-consuming work of making a new search. The choice is usually kept until the end of the design process. So, there is a need for software tools dedicated to reliable and less time-consuming catalogue search.

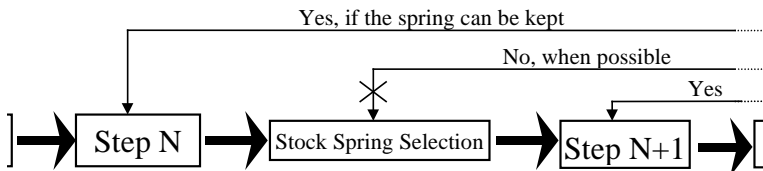


Fig. 1 *Effects on the design process*

This paper presents a tool armed at meeting designer expectations which also takes advantage of all specifications possibilities. The following capabilities, that are not usually presented, are proposed :

- taking uncertain parameters into consideration (data set with interval values),
- automatically performing all the necessary calculations (buckling, fatigue life...) to check that a spring satisfies the specifications,
- excluding "all or nothing" search results,
- introducing an objective function in order to propose the most suitable component.

This tool may be used even in the early design stages. To fit perfectly with the designer's incomplete knowledge, the method determines springs from a specification sheet where data can be uncertain. The associated algorithms select the best spring by calculating the operating parameters for a given objective. Using this kind of tool, the designer can express his specifications in a very formal and

practical way. He can obtain search results instantaneously (number of springs available and the one selected). The present study deals only with helical compression springs with closed ends and with closed and ground ends.

2. A Stock Spring Selection Tool Working from Toleranced Specifications

First, spring characteristics are detailed in order to illustrate whether the tool can accept over-definite requirements. Then the resolution algorithm is described. Finally, the two different methods available to compare competing springs are presented.

2.1. Specifications for the Assisted Search

The parameters which define the spring geometry are: D_o , D , D_i , d , R , L_0 , L_s , n , z , p . Fig. 2 illustrates these parameters which characterize the intrinsic properties of the spring. A spring works traditionally between two configurations, one corresponding to the least compressed state W_1 , the other corresponding to the most compressed state W_2 . Thus the operating parameters which define the use of a spring are: P_1 , P_2 , L_1 , L_2 and sh (see Fig. 3).

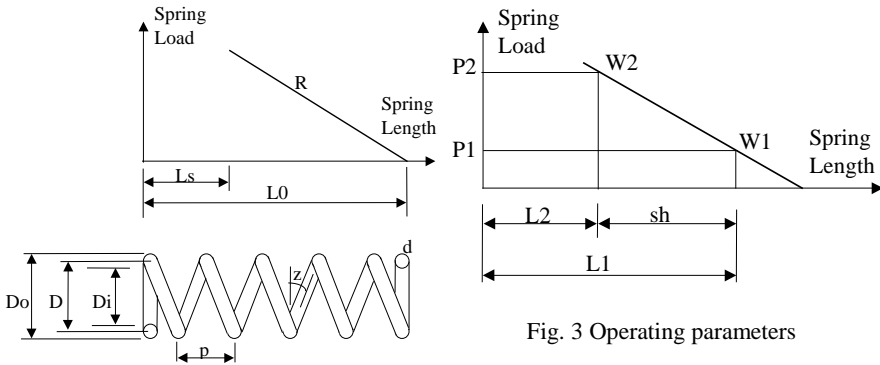


Fig. 2 Design parameters

Fig. 3 Operating parameters

Four independent design parameters have to be known in order to calculate the six others. When the design parameters are known, only two independent operating parameters (to be taken among P_1 , P_2 , L_1 , L_2 and sh) are necessary to determine the two operating points W_1 and W_2 . To express all the calculations inside the tool which is presented below, springs of the database are defined by D_o , d , L_0 and R and the chosen operating parameters are L_1 and L_2 . Nevertheless, each particular parameter illustrated in Fig. 2 or Fig. 3 can be used by the designer to express his specifications.

The designer can decide on design and operating parameters by giving their bounds (lower and/or upper limits: $L0_S^L$, $L0_S^U$, ... $P1_S^L$, $P1_S^U$...) in the specification sheet (see Fig. 4). Each fixed parameter simply involves the specification of lower limit equal to upper limit. Moreover, the designer can define a number of other characteristics with interval values:

- Natural Frequency of surge waves
- Spring mass
- Overall space taken up when uncompressed ($L=L0$)
- Overall space taken up when compressed ($L=L2$).
- Internal energy during the operating travel

Designers can provide additional data to calculate other characteristics:

- The number of cycles (Ncycles) to calculate the fatigue life factor (to check that it is higher than unity)
- The end fixation factor (ν) to calculate the buckling length and check that it is less than $L2$. [8]

The designer can also specify the material and the spring ends required.

Finally, to be able to select the most suitable spring, the objective function (maximize fatigue life, minimize mass, minimize $L2$...) has to be given.

Title <input style="width: 600px;" type="text"/>											
Design parameters											
	Mini	Maxi		Mini	Maxi		Mini	Maxi		Mini	Maxi
Do (mm)	<input type="text"/>	<input type="text"/>	L0 (mm)	<input type="text"/>	<input type="text"/>	p (mm)	<input type="text"/>	<input type="text"/>	Vol (L0) (cm3)	<input type="text"/>	<input type="text"/>
D (mm)	<input type="text"/>	<input type="text"/>	R (N/mm)	<input type="text"/>	<input type="text"/>	number of coils	<input type="text"/>	<input type="text"/>	Mass (g)	<input type="text"/>	<input type="text"/>
Di (mm)	<input type="text"/>	<input type="text"/>	Ls DB (mm)	<input type="text"/>	<input type="text"/>	Fe (Hz)	<input type="text"/>	<input type="text"/>	Price	<input type="text"/>	<input type="text"/>
d (mm)	<input type="text"/>	<input type="text"/>	Material:	<input type="text" value="Don't care"/>		Ends type :	<input type="text" value="Don't care"/>				
Operating parameters											
P1 (N)	<input type="text"/>	<input type="text"/>	Ncycles	<input type="text"/>		calculation of L2. mini with :					
P2 (N)	<input type="text"/>	<input type="text"/>	NRG (N*mm)	<input type="text"/>	<input type="text"/>	<input type="text" value="I S T"/>					
L1 (mm)	<input type="text"/>	<input type="text"/>	Vol(L2) (cm3)	<input type="text"/>	<input type="text"/>						
L2 (mm)	<input type="text"/>	<input type="text"/>	<input type="checkbox"/> no buckling								
sh (mm)	<input type="text"/>	<input type="text"/>									
Calculation											
			Objective		<input type="text" value="the smallest"/>		<input type="text" value="L2"/>				
									<input type="button" value="Print"/>		

Fig. 4 Specification sheet

Any data not defined in the user specification sheet is set to a default value : 0 for a lower limit and 10^7 for an upper limit. Then the proposed resolution algorithm is performed.

2.2. Proposed Resolution Algorithm

General methods dedicated to component selection problems, as the one proposed by Bradley and Agogino [9], could be applied to the stock spring selection problem. Significant reduction in development costs and processing times can be obtained using a more direct method which is able to take advantage of the spring problem characteristics such as the COSAC system [10] developed at Bath University.

The method chosen here can be considered as the most reliable, since all springs are successively tested. The first spring of the catalogue is evaluated and set as the potential optimum. Then the second spring is evaluated and compared to it. If it is better, it becomes the new potential optimal spring. All the springs of the catalogue are thus evaluated and compared to the last potential optimal spring. When the end of the catalogue is reached, the spring that best matches the requirements is the potential optimal spring. This method provides an acceptable processing time (less than ten seconds) with the catalogue used in this paper which contains about five thousands references.

To evaluate a spring, its four associated design parameters are read from the database and the two operating parameters are automatically calculated in order to optimize the objective value (maximize P2, minimize P2, maximize L2 ...) [11]. All previously detailed design and operating parameters are then calculated. To fit with real-life industrial problems, other properties are added such as fatigue life, price, mass, buckling length or solid length. 23 criterions are thus calculated. When all the spring criteria have been calculated, it remains to know how they fit the specifications. To manage the various needs of designers, two different analysis are proposed.

2.3. Comparing Springs Using Multi-criteria Analysis

In the first steps of the design cycle, when most part and shapes have not been chosen, specifications are often imprecise and constraint violations can be admitted. Multi-criteria analysis has been chosen to solve this problem. For each spring, the following equation is used to evaluate the constraint violations.

$$Violation = \frac{\sum_{c=1}^{Nc} K_c \times (Mark_c)}{\sum_{c=1}^{Nc} K_c}$$

The weighting coefficient K_c enables the relative influence of criteria to be adjusted. The mark for criterion c : $Mark_c (L_c, U_c, V_c)$ is calculated as follows :

L_c = Lower bound value of the specifications for criterion c
(positive value)

U_c = Upper bound value of the specifications for criterion c

V_c = Criterion value of the spring

$Mark_c = 0$

```

IF  $V_c > U_c$  THEN
  IF  $U_c = 0$  THEN
    Mark =  $V_c$ 
  ELSE
    Mark =  $(V_c - U_c) / U_c$ 
  END IF
END IF
IF  $V_c < L_c$  THEN
  Mark =  $(L_c - V_c) / L_c$ 
END IF

```

To evaluate a spring, both objective function value (*Objective*) and constraints violation (*Violation*) values have to be taken into account.

The following equation has been selected.

$$Evaluation = Objective \times e^{a \times b \times Violation}$$

where

$a = 1$ if the objective function has to be minimized or $a = -1$ if the objective function has to be maximized.

b is the weighting violation coefficient, in our study, $b = 100$.

All the springs are then evaluated and the most interesting one according to the *Evaluation* value is selected.

2.4. Comparing Springs Using the Fuzzy Logic Analysis

The previous analysis often ends in proposing a spring that is close to certain limit values of the specifications. In the first steps of the design cycle, a spring near the centre of the solution domain can be the best choice, even if its objective function value is less interesting. To solve this kind of problem, fuzzy logic analysis is proposed here.

As the goal is to find springs within the limit values of the specifications, a basic comparison is first carried out on the number of constraints violated (*ncv*). A spring that has the lowest *ncv* value is definitely considered has better than the others. When both springs have the same *ncv* value, the comparison with fuzzy logic is performed. The first step is to evaluate how the tested spring matches the specifications. The comparison between this evaluation and that obtained for the potential optimal spring is made at the second step. In the third step, the comparison between the objective function values of these two springs is done. Then, a final comparison is made to select the new potential optimal spring.

2.4.1. Step 1 : How a Spring Matches the Specifications

First, an evaluation is made of each criterion. To evaluate how a criterion matches the specifications, the following method is used.

FuzzyMark_c (L_c, U_c, V_c) = [VB, B, M, G, VG]_c is calculated as follows.

```

IF  $U_c = 0$  THEN
     $MarkU_c = -V_c$ 
ELSE
     $MarkU_c = (U_c - V_c) / U_c * 100$ 
END IF

```

$$MarkL_c = (V_c - L_c) / L_c * 100$$

$$WorstMark_c = \text{Min}(MarkU_c, MarkL_c)$$

$WorstMark_c$ is used to perform the evaluation of $[VB, B, M, G, VG]_c$

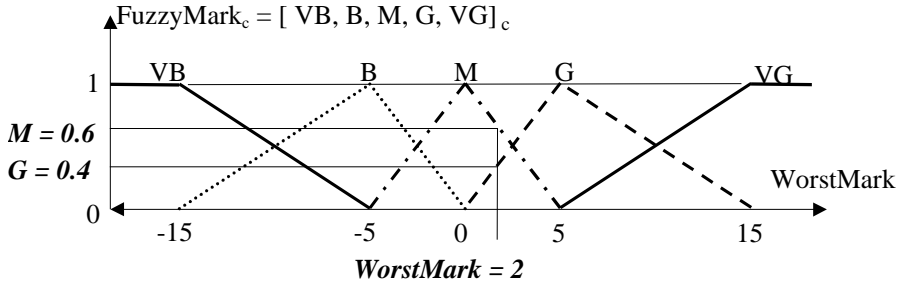


Fig. 5 FuzzyMark_c evaluation

Then, the final values of VB (very bad), B (bad), M (medium), G (good), and VG (very good) are calculated using the formula :

$$[VB, B, M, G, VG]_{spec} = \frac{\sum_{c=1}^{N_c} K_c \times FuzzyMark_c}{\sum_{c=1}^{N_c} K_c}$$

2.4.2. Step 2 : Comparison of Specifications

The comparison of the previous fuzzy values is performed using the Mamdani [12] definition for the AND connector as described in table 1.

Table 1 : Comparison of specifications

Tested spring	Potential optimal spring				
	VB (0)	B (0.50)	M (0.50)	G (0)	VG (0)
VB (0)	E (0)	S (0)	VS (0)	VS (0)	VS (0)
B (0)	I (0)	E (0)	S (0)	VS (0)	VS (0)
M (0.70)	VI (0)	I (0.50)	E (0.50)	S (0)	VS (0)
G (0.30)	VI (0)	VI (0.30)	I (0.30)	E (0)	S (0)
VG (0)	VI (0)	VI (0)	VI (0)	I (0)	E (0)

Then the Or connector (Mamdani) is used to obtain the value of

[VI (very inferior), I (inferior), E (equal), S (superior), VS (very superior)]_{Spec}. Results are shown in table 2.

Table 2 : value of [VI, I, E, S, VS]_{Spec}

VI	I	E	S	VS
0.3	0.5	0.5	0	0

2.4.3. Step 3 : Comparison of Objectives

The comparison of the objective function values is made using the *ObjMark* value:

Objtop is the objective function value of the potential optimal spring.

Objective is the objective function value of the evaluated spring.

$$ObjMark = 200 * (Objtop - Objective) / (Objtop + Objective)$$

Then the comparison of the two objectives to calculate [VI, I, E, S, VS]_{Obj} is made using the rule defined on fig 6.

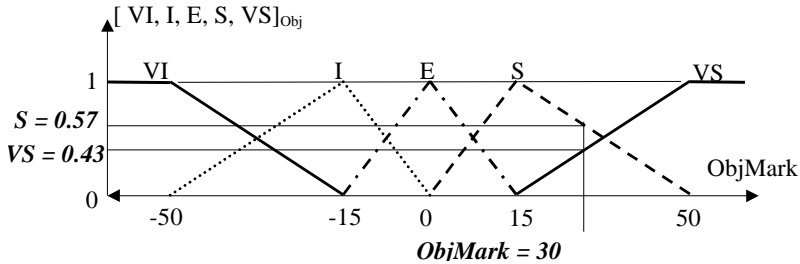


Fig. 6 [VI, I, E, S, VS]_{Obj} value

2.4.4. Step 4 : Final Comparison

Springs are finally compared using both [VI, I, E, S, VS]_{Obj} and [VI, I, E, S, VS]_{Spec} with the same rules as in step 2 in order to calculate I, E, S values.

Table 3 : Final comparison

[VI, I, E, S, VS] _{Obj}	[VI, I, E, S, VS] _{Spec}				
	VI (0.3)	I (0.50)	E (0.50)	S (0)	VS (0)
VI (0)	I (0)	I (0)	I (0)	I (0)	E (0)
I (0)	I (0)	I (0)	I (0)	E (0)	S (0)
E (0)	I (0)	I (0)	E (0)	S (0)	S (0)
S (0.57)	I (0.30)	E (0.50)	S (0.50)	S (0)	S (0)
VS (0.43)	E (0.30)	S (0.43)	VI (0)	S (0)	S (0)

Table 4 : Value of I, E, S

I	E	S
0.30	0.50	0.43

For the case presented in the previous tables, as S value is superior to I value, the "old" potential optimal spring is superior to the tested spring. Thus, it is kept as the

potential optimal one (otherwise the tested spring would have replaced it) and the next spring is tested.

3. Examples and Comparison Between Manual and Assisted Search

In order to compare the results between the manual and assisted search, the two examples have been performed using the same catalogue with both methods. Each assisted search has been carried out with the two different analysis. The average time of the first analysis is 3 seconds increasing to 6 seconds for the analysis using fuzzy logic.

3.1. A Spring for a Clamping Pin

3.1.1. Manual Search

A clamping pin has been custom-designed for an industrial manipulating robot. The time-consuming manual procedure resulted in the selection of the spring $D_o = 36.0$ mm, $d = 2.5$ mm, $L_0 = 50$ mm, $R = 3.54$ N/mm, $L_1 = 47$ mm, **$L_2 = 36$ mm**. (steel with closed and ground ends) from the paper catalogue. The result is shown in Fig. 7 and the clamping pin was added to the robot.

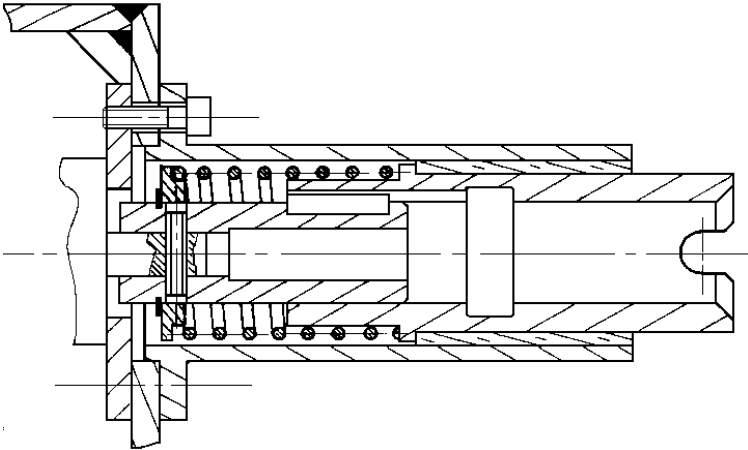


Fig. 7 Old clamping pin design

3.1.2. Assisted Search

During a reengineering procedure, it was decided to reselect a spring in order to reduce the main drawback of the clamping pin : its high axial length. Now, the proposed search tool can be used and the specifications can be detailed precisely.

Specifications : the maximum outside diameter of the spring is 38 mm, the minimum inside diameter is 27 mm, spring travel must be 11 mm, the maximum

value of $L1$ is 50 mm, the maximum spring rate is 5.5 N/mm, the load $P1$ must be between 5 and 15N and the load $P2$ between 50 and 100N. The goal is to obtain the spring with the smallest value of $L2$.

According to the chosen objective, the algorithm calculates the operating parameters of each spring in order to have the minimum operating length $L2$ while satisfying the specifications.

Results : there are 7 springs that fit the given specifications.

The first analysis proposes a spring that is close to specification requirements (in terms of R) :

$D_o = 32.0$ mm, $d = 2.2$ mm, $L_0 = 25$ mm, $R = 5.78$ N/mm, $L1 = 22.4$ mm, **$L2 = 11.4$ mm.** (steel with closed and ground ends).

Using fuzzy logic the following spring is selected :

$D_o = 32.0$ mm, $d = 2.2$ mm, $L_0 = 32$ mm, $R = 4.34$ N/mm, $L1 = 28.54$ mm, **$L2 = 17.54$ mm.** (steel with closed and ground ends).

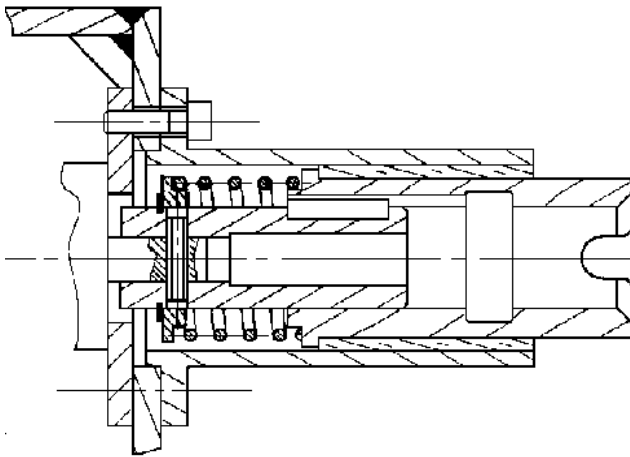


Fig. 8 New clamping pin design

As the properties of the two proposed springs are automatically calculated, the designer can easily choose the one that best matches his specifications. In fact, the spring found with the first method fits the geometrical parameters and has a low *Violation* value (= 0.051), whereas its $L2$ value is much lower than the one selected by the fuzzy logic method. This spring is chosen for the new design described in Fig. 8. The assisted search proposes springs significantly better than those found with the paper search, leading to useful changes in the clamping pin design.

3.2. A Spring for an Axial Displacement Sensor

3.2.1. Manual Search

In this example, the manual search in the catalogue led to the following spring :

$D_o = 12.5$ mm, $d = 1.25$ mm, $L_0 = 100$ mm, $R = 0.8$ N/mm, $L_1 = 93.75$ mm, $L_2 = 33.75$ mm (**$P_2 = 53N$** , steel with closed and ground ends).

3.2.2. Assisted Search

Once again, the assisted search allows to the following requirements to be expressed :

Specifications : the maximum outside diameter of the spring is 13 mm, the minimum inside diameter is 5 mm, spring travel must be 60 mm, the minimum P_1 value is 3 N and the length L_2 must be between 30 and 45 mm. The goal is to obtain the spring with the smallest value of P_2 .

According to the chosen objective, the algorithm calculates the operating parameters of each spring in order to have the minimum operating load P_2 while satisfying the specifications.

Results : there are 14 springs that match the given specifications.

Using the first analysis, a spring that fits the specifications (*Violation* = 0) is selected : $D_o = 11.0$ mm, $d = 0.9$ mm, $L_0 = 100$ mm, $R = 0.3$ N/mm, $L_1 = 90$ mm, $L_2 = 30$ mm (**$P_2 = 21N$** , steel with closed and ground ends).

Fuzzy logic analysis proposes another spring that fit the specifications :

$D_o = 11.0$ mm, $d = 1$ mm, $L_0 = 100$ mm, $R = 0.374$ N/mm, $L_1 = 92$ mm, $L_2 = 32$ mm (**$P_2 = 25.4N$** , stainless steel with closed and ground ends).

In this case, the spring found by fuzzy logic analysis is within the geometrical constraints. In order to obtain a reliable design, this spring is included in the mechanism. Once again, the assisted search results in the choice of a much better spring than the one obtained by the paper based method.

4. Conclusion

Paper-based methods for selecting stock springs are tedious, time consuming and decrease design process flexibility. A stock spring selection tool managing uncertain parameters and including all the necessary calculations in order to suggest the most suitable spring is proposed. It has been developed and tested for one year in collaboration with a spring manufacturer. It has shown that this kind of tool changes the designer's approach during the catalogue search. With the assistance of the proposed tool, the designer can specify his needs and quickly choose the spring that best matches his requirements. Finally, this type of tool increases design process flexibility as the component choice is made easier and more efficient.

Acknowledgements

The financial and technical support of the spring manufacturer « Ressorts VANEL » is gratefully acknowledged.

References

1. YUYI L, KOK-KEONG T and LIANGXI W, 1995. Application of Expert System for Spring Design and Procurement. *Springs* march : 66-80. From the Spring Manufacturer Institute, [http :\\www.smihq.org](http://www.smihq.org)
2. SANDGREN E, 1990. Nonlinear Integer and Discrete Programming in Mechanical Design Optimization. *ASME Journal of Mechanical Design* 112 : 223-229.
3. KANNAN B.K. and KRAMER S.N., 1994. An Augmented Lagrange Multiplier Based Method for Mixed Integer Discrete Continuous Optimization and its Applications to Mechanical Design. *ASME Journal of Mechanical Design* 116 : 405-411.
4. DEB K and GOYAL M, 1998. A Flexible Optimization Procedure for Mechanical Component Design Based on Genetic Adaptive Search. *ASME Journal of Mechanical Design* 120 : 162-164.
5. G.B. Innomech, 1994. SPEC Select, Spring Selection.
6. HARMER Q.J., WEAVER, P.M., WALLACE, K.M., 1998. Design-led component selection. *Computer-Aided Design*, 30 : 391-405.
7. IST[®], Institute of Spring Technology, Henry Street Sheffield S3 TEQ United Kingdom, [http :\\www.istec.demon.co.uk](http://www.istec.demon.co.uk)
8. WAHL A. M., 1963. *Mechanical Springs*. McGraw-Hill, New York.
9. BRADLEY S.R. and AGOGINO A.M., 1994. An Intelligent Real Time Methodology for Component Selection: An Approach to Managing Uncertainty. *ASME Journal of Mechanical Design* 116 : 980-988.
10. VOGWELL J and CULLEY S.J., 1991. A strategy for selecting engineering components. *Proc. Imeche, Journal of Manufacturing systems* 205 : 11-17.
11. PARDES M, SARTOR M and MASCLET C, 2000. Stock Spring Selection Tool. *Springs* Winter. From the Spring Manufacturer Institute, [http :\\www.smihq.org](http://www.smihq.org)
12. MAMDANI E.H., 1974. Application of fuzzy algorithms for control of simple dynamic plant. *Proc. Institution of electrical engineers, Control and science* 121 : 1585-1588.