



**HAL**  
open science

# High gain, load-tolerant self-powered series-parallel Synchronized Switching technique for piezoelectric energy harvesting

Mickaël Null Lallart

► **To cite this version:**

Mickaël Null Lallart. High gain, load-tolerant self-powered series-parallel Synchronized Switching technique for piezoelectric energy harvesting. *IEEE Transactions on Power Electronics*, 2022, 37 (7), pp.8649-8658. 10.1109/TPEL.2022.3150410 . hal-03657317

**HAL Id: hal-03657317**

**<https://hal.science/hal-03657317>**

Submitted on 2 May 2022

**HAL** is a multi-disciplinary open access archive for the deposit and dissemination of scientific research documents, whether they are published or not. The documents may come from teaching and research institutions in France or abroad, or from public or private research centers.

L'archive ouverte pluridisciplinaire **HAL**, est destinée au dépôt et à la diffusion de documents scientifiques de niveau recherche, publiés ou non, émanant des établissements d'enseignement et de recherche français ou étrangers, des laboratoires publics ou privés.

# High gain, load-tolerant self-powered series-parallel Synchronized Switching technique for piezoelectric energy harvesting

Mickaël LALLART

*The present manuscript has neither been presented at a conference nor submitted elsewhere previously*

**Abstract**—In the framework of autonomous wireless devices (*e.g.*, sensors) powered by energy available from their surrounding environment, this paper exposes a technique combining the so-called series and parallel Synchronized Switch Harvesting on Inductor (SSHI) approaches for piezoelectric energy harvesting. More specifically, the proposed circuit consists in switching the piezoelectric element on two inductors, one in series between the piezoelement and the energy extraction stage (rectifier bridge) and the other one in parallel with the rectifier. This therefore allows energy transfer processes to occur several times per half period, even when the switching process is finished. Based on numerical analysis supported by experimental validations, it is shown that such a technique permits a significant widening of the effective load and rectified voltage ranges, but also, under particular conditions, a power output magnification that is even larger than in the sole SSHI case.

**Index Terms**—Energy harvesting, Piezoelectric devices, Switched circuits, Energy conversion.

## I. INTRODUCTION

With the exponential spreading of connected devices such as wireless sensors and sensor networks, a significant pressure on their power supply has raised. While primary batteries remain the conventional way for providing energy to these systems, their implementation and use is facing tighter and tighter constraints. More precisely, the strongest limitation of such a solution has experienced a change of paradigm with the development of ultralow-power circuits that consume very little energy. Hence, while initial concerns considered the actual energy initially stored in batteries, the main limiting factors now lie in the battery leakage, yielding a loss of energy before it is actually used ([1, 2]). Such an issue is even more dramatic in relatively harsh environments. For instance, under an ambient temperature of 60 °C, Li-Ion batteries show a drop of their energy by more than 60% over one year ([1]). Hence, such a solution is not realistically applicable for devices aiming at operating on the long run in confined environments or under moderately severe conditions.

As an alternative to these battery-powered solutions, collecting energy from the direct surroundings of the device, namely

energy harvesting, has been the topic of many works since two decades ([3, 4]) in its modern form. Ambient sources may consider solar, thermal or vibrational energy for instance. Due to its ubiquity and constant availability, the latter is an attractive choice for microgenerators. The conversion of the mechanical energy into electricity can be achieved through electromagnetic, piezoelectric or electrostatic coupling for instance ([5]). In the framework of small energy harvesters with centimeter-scale dimensions, piezoelectric coupling is of particular interest thanks to good integration potentials and relatively high power densities.

Nevertheless, when integrating the active material on the structure, and especially considering cost-effective transducers, the global electromechanical coupling at the structural level is usually limited to a few percent. Therefore, means of improving the conversion efficiency is mandatory in order to achieve sufficient output power levels. From the electrical perspective, such an achievement can be obtained thanks to a nonlinear process that consists in switching the piezoelectric transducer on an inductance each time an extremal voltage or displacement is detected. This technique, called “Synchronized Switch Harvesting on Inductor” (SSHI), allows thanks to an voltage inversion effect (permitted by the resonant circuit made of the inductor and piezoelectric capacitance during the switching event) a magnification of the piezovoltage as well as a reduced phase shift between the voltage and velocity ([7, 8]). These two combined effects thus contribute to an artificial increase of the electromechanical coupling, allowing a significant gain in terms of harvested power by a factor up to 10 compared to the standard approach (sole rectifier bridge). SSHI can be implemented either with the switching element either in parallel ([7]) or in series ([8, 9]). For integration purposes, the inductor can be advantageously replaced by another high frequency piezoelectric oscillator, providing kinetic energy storage by mechanical means ([10]). Furthermore, the SSHI can be made totally self-powered, thus working in a realistic fashion using a very small amount of the electrostatic energy available on the piezoelement ([11–16]). Nevertheless, in order to benefit from this power output boosting effect, the load should be carefully tuned in a similar way than in standard approach, requiring the use of additional load adaptation stages, for instance based on DC/DC converters (*e.g.*, step-down - [17] - or buck-boost - [18, 19]), yielding further energy losses. More precisely, the series implementation of the switching element (*w.r.t.* the transducer and the rectifier) yields a decreased optimal load compared to the standard technique

M. Lallart is with the Univ. Lyon, INSA-Lyon, LGEF EA 682, F-69621, VILLEURBANNE, FRANCE (M. Lallart, LGEF INSA-Lyon, 8, rue de la Physique, 69621 VILLEURBANNE Cedex, FRANCE / e-mail: mickael.lallart@insa-lyon.fr / ORCID 0000 – 0002 – 6907 – 5946).

while the parallel approach increases it.

To address this load adaptation issue and still based on the switching concept, the ‘‘Synchronous Electric Charge Extraction’’ technique has been proposed by Lefeuvre et al. ([20, 21]). Contrary to the SSHI approach, the switch is reopened when the piezovoltage cancels in the SECE. This allows transferring all of the electrostatic energy available on the piezoelement to the inductance, which is latter transferred to the load and storage capacitor. Thanks to this process, the load is never directly connected to the piezoelement, hence allowing a harvested energy independent from the connected load. However, SECE shows a lower gain compared to SSHI (typically around 3 w.r.t. standard interface and taking into account losses in the energy transfer), and its self-powered implementation is much more complex ([22]). While some techniques such as Double Synchronized Switch Harvesting (DSSH - [23]), Enhanced Synchronized Switch Harvesting (ESSH - [24]), hybrid SSHI ([25]), optimized SECE ([26]) or SICE ([27, 28]) have been proposed to combine the advantages of SSHI and SECE, they still suffer from some of the drawbacks of SSHI (load dependence) and/or SECE (limited gain, complex implementation), or can raise other issues such as integrability (*e.g.*, due to the need of electromagnetic transformer).

Hence, the purpose of this paper is to expose a simple approach for combining, to some extent, a significant power gain (compared to maximal power of the standard approach) over a wide load range while keeping the simplicity of implementation of SSHI (self-powering abilities). The principles behind the proposed technique lie in separating the switching inductor of the SSHI into two inductors, with one placed between the piezoelectric element and the rectifier and the second in parallel with the rectifier. This therefore can be seen as a combination of series and parallel SSHI (with however some aspects from the SECE as it will be exposed in the followings), leading to the concept of ‘‘series-parallel SSHI’’ (sp-SSHI). The paper is organized as follows. Section II aims at exposing the basic operations of the proposed concept, which are theoretically investigated in Section III. Then, the performance of the circuit are numerically evaluated in Section IV and compared with other techniques. Finally, before a short conclusion recalling the main parts of this study, the experimental operations are evaluated in Section V, including the self-powered version assessment.

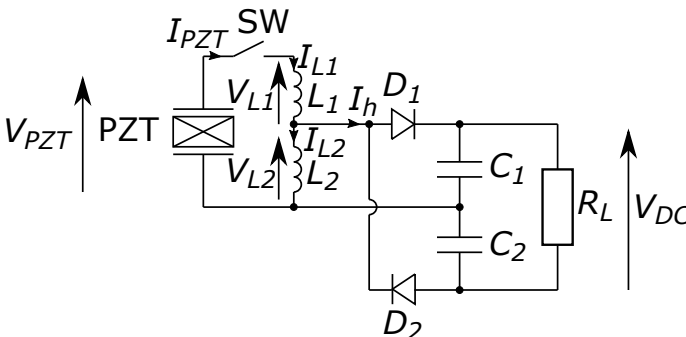


Fig. 1. sp-SSHI circuit.

## II. PRINCIPLES

The concept of the series-parallel Synchronized Switch Harvesting on Inductor (sp-SSHI) lies in splitting the switching inductance, and placing one part in series with the energy extraction stage (rectifier) made of diodes  $D_1$  and  $D_2$  as well as smoothing capacitors  $C_1$  and  $C_2$  and the other part in parallel to it, resulting in the schematic depicted in Fig. 1.  $V_{PZT}$ ,  $V_{L1}$  and  $V_{L2}$  refer to the voltage across the piezoelectric element (PZT), inductor  $L_1$  and inductor  $L_2$  respectively, while  $V_{DC}$  denotes the rectified voltage across the resistive load  $R_L$ .  $I_{PZT}$ ,  $I_{L1}$  and  $I_{L2}$  are the current flowing out the piezoelectric element and currents through inductors  $L_1$  and  $L_2$  respectively. Finally  $I_h$  represents the current flowing through the storage stage, hence corresponding to the harvested charge flow. Note that instead of a full-wave voltage doubler, a full diode bridge rectifier may be also used, but would increase losses due to the supplementary diodes (as well as decreasing the optimal resistor). With such a configuration, current can flow from the piezoelectric element through the rectifier (series SSHI operations - [8]), but at the same time the parallel inductance  $L_2$  may see its voltage clamped by half the value of the rectified one as for parallel SSHI configuration ([7]). Additionally, there might be some residual current in the inductance  $L_2$  after the inversion process, that can be further harvested like in the SECE approach ([20]).

More precisely, the different steps in the process are exposed in Figs. 2 and 3. Most of the time, the piezoelement is left in open circuit, with its voltage varying with the displacement (states ① for positive voltages and ② for negative ones). Once an extremal voltage occurs, the switch  $SW$  is turned on so that current is flowing from the piezomaterial to the inductance. However, in the case the voltage across the inductor  $L_2$  is higher, in absolute value, than half the rectified voltage  $V_{DC}/2$  (or in other words the absolute piezovoltage is greater than  $(1 + L_1/L_2)V_{DC}$ ), the voltage across inductance  $L_2$  is clipped to  $\pm V_{DC}/2$  and so is the rate of the current flowing through this inductor. Consequently, part of the piezocurrent is flowing through the rectifier bridge ( $I_h$ ), yielding a first step in the harvesting process (states ③ for switching event from positive voltage switch and ④ for switching event from negative voltage). When the two inductor currents, namely  $I_{L1}$  for  $L_1$  and  $I_{L2}$  for  $L_2$ , equal each other, the rectifier stops conducting and the piezocurrent is solely flowing through  $L_1$  and  $L_2$  (also yielding a change in the inversion frequency - states ⑤ and ⑥). However, as the current through  $L_2$  decreases, it may eventually yield a sufficient reverse voltage so that the other part of the rectifier is conducting (states ⑦ and ⑧), also contributing to the harvesting process. Finally, due to the current rate limitation of  $L_2$ ,  $I_{L2}$  may not be zero when  $I_{L1}$  cancels (end of the piezovoltage inversion). Consequently, a supplementary harvesting event may go beyond the inversion process (states ⑨ and ⑩) before going back to state ① or ②.

Compared to other variants of SSHI and/or SECE and as it will be devised in the followings, the interest of the sp-SSHI lies in:

- significant power gain due to the voltage inversion, instead of cancellation in the case of SECE and associated

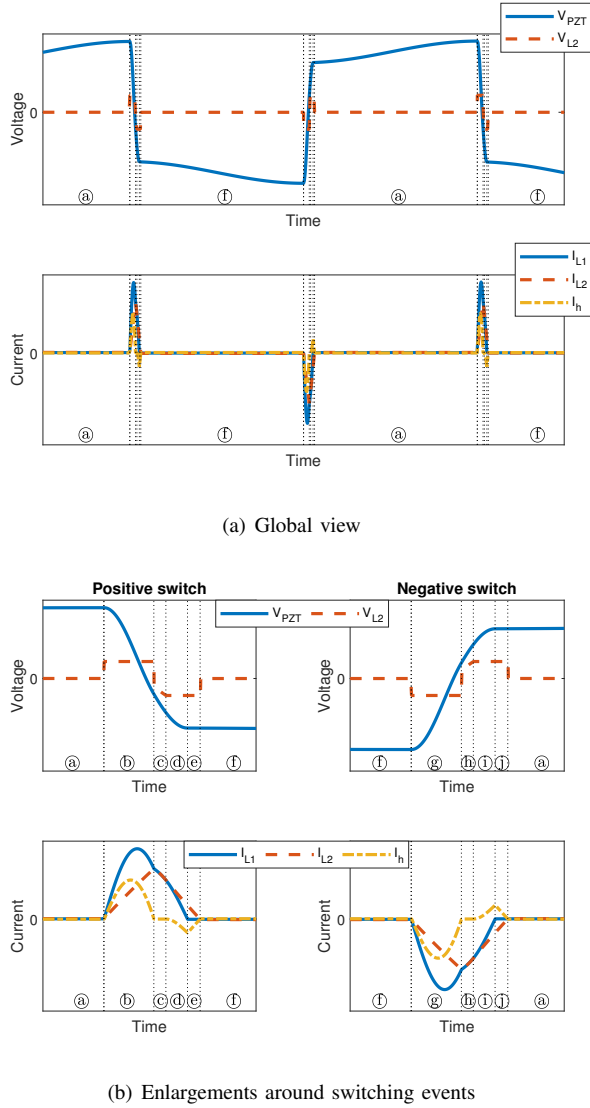


Fig. 2. sp-SSHI typical waveforms.

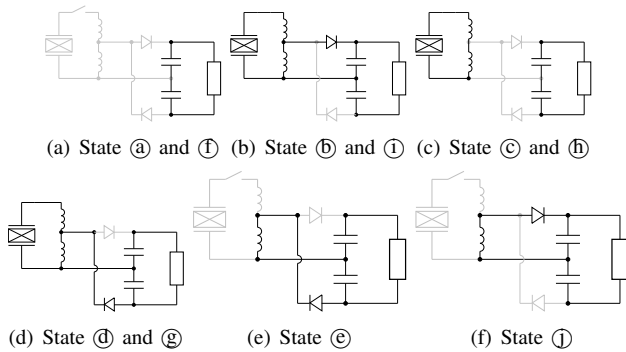


Fig. 3. Circuit states during operations.

techniques ([20, 26])

- simple implementation thanks to a single switching stage that can be easily self-powered because of switching process ending on piezoelectric current cancellation, contrary to DSSH ([23]), ESSH ([24]) or SICE ([27]) for instance, which implement several switching sequences, with at

least one requiring termination on maximum current that yields complex self-powered implementation

- relative integrability, while hybrid SSHI (combining parallel SSHI and SSHI-MR - [25]) for example requires a bulky transformer
- significant power for loads range covering both series and parallel, while hybrid SSHI ([25]) is not adapted to relatively low loads values.

### III. ANALYSIS

In the followings, the numerical analysis of the sp-SSHI is proposed. For the sake of simplicity and in order to concentrate on the circuit itself, it will be considered that the piezoelectric structure features constant displacement magnitude so that no damping effect will be considered. While this assumption is valid for weakly coupled and/or strongly damped devices, or when the excitation frequency is sufficiently far away from the resonance frequency, it is however possible to take into account the damping effect induced by the harvesting process by using Mason electromechanical model ([29]) for instance. Additionally, it will be considered that the smoothing capacitors  $C_1$  and  $C_2$  are large enough so that the time constant defined by these capacitors and the load  $R_L$  is much larger than the vibration period, yielding an almost constant value of the rectified voltage  $V_{DC}$ .

Under the considered hypotheses, only the piezoelectric electrical equation can be considered. Using a lumped model representation ([30]), this turns to a velocity controlled current source with a capacitive internal impedance as:

$$I_{PZT}(t) = \alpha \dot{u}(t) - C_0 \dot{V}_{PZT}(t) \quad (1)$$

where  $I_{PZT}(t)$  and  $V_{PZT}(t)$  are the outgoing piezocurrent and piezovoltage respectively,  $u(t)$  the structure flexural displacement, and  $\alpha$  and  $C_0$  the force factor and clamped capacitance, respectively.

#### A. State equations

For setting up the numerical description of the sp-SSHI operations, the state vector  $\mathbf{Y}(t)$  made of the piezoelectric voltage  $V_{PZT}(t)$ , and the currents flowing through inductors  $L_1$  and  $L_2$ , namely  $I_{L1}(t)$  and  $I_{L2}(t)$  respectively, will be considered:

$$\mathbf{Y}(t) = \begin{pmatrix} V_{PZT}(t) \\ I_{L1}(t) \\ I_{L2}(t) \end{pmatrix} \quad (2)$$

while the input vector  $\mathbf{X}(t)$  is dependent on the structure displacement  $u(t)$  and rectified voltage  $V_{DC}$  (recalling the latter is assumed constant):

$$\mathbf{X}(t) = \begin{pmatrix} u(t) \\ V_{DC} \end{pmatrix} \quad (3)$$

Based on this model, the derivative of state vector  $\mathbf{Y}$ , denoted  $\dot{\mathbf{Y}}$  can be written as:

$$\dot{\mathbf{Y}}(t) = \mathbf{A}_x \mathbf{Y}(t) + \mathbf{B}_x \mathbf{X}(t) \quad (4)$$

with  $\mathbf{A}_x$  and  $\mathbf{B}_x$  the respective  $3 \times 3$  and  $3 \times 2$  state matrices, where the subscript  $x$  denotes the state (Ⓐ to Ⓙ) as defined in Fig. 3).

In non-switching state and without conduction (states Ⓐ and Ⓙ), no current is flowing in the whole circuit (except from the storage capacitor to the load, which is not to be taken into account here as the rectified voltage  $V_{DC}$  is assumed constant). Therefore, the expression of the associated state matrices leads to the following expressions:

$$\begin{aligned} \mathbf{A}_a = \mathbf{A}_f &= \begin{bmatrix} 0 & 0 & 0 \\ 0 & 0 & 0 \\ 0 & 0 & 0 \end{bmatrix} \\ \mathbf{B}_a = \mathbf{B}_f &= \begin{bmatrix} \frac{\alpha}{C_0} & 0 \\ 0 & 0 \\ 0 & 0 \end{bmatrix} \end{aligned} \quad (5)$$

Once an extremum value is reached, the switch  $SW$  is closed. Therefore a current is flowing from the piezoelement to the inductors. However, the current rate through  $L_2$  is limited due to the conduction of the rectifier bridge, that clips the voltage across  $L_2$  to  $V_{DC}/2$  for switching from positive voltage (state Ⓑ) or  $-V_{DC}/2$  when the switching starts from a negative voltage (state Ⓒ). This yields the following definition of the state matrices:

$$\begin{aligned} \mathbf{A}_b = \mathbf{A}_g &= \begin{bmatrix} 0 & -\frac{1}{C_0} & 0 \\ \frac{1}{L_1} & -\frac{r_1}{L_1} & 0 \\ 0 & 0 & -\frac{r_2}{L_2} \end{bmatrix} \\ \mathbf{B}_b = \begin{bmatrix} \frac{\alpha}{C_0} & 0 \\ 0 & -\frac{1}{2L_1} \\ 0 & \frac{1}{2L_2} \end{bmatrix} ; \mathbf{B}_g = \begin{bmatrix} \frac{\alpha}{C_0} & 0 \\ 0 & \frac{1}{2L_1} \\ 0 & -\frac{1}{2L_2} \end{bmatrix} \end{aligned} \quad (6)$$

Note that in these expressions, losses in the inductors have been taken into account and modeled by pure resistances ( $r_1$  and  $r_2$ , respectively for inductors  $L_1$  and  $L_2$ ).

As the current through  $L_1$  experiences a decreasing rate, it eventually equals those of  $L_2$ . In that case, the absolute voltage across  $L_2$  becomes less than  $V_{DC}/2$  and the rectifier bridge is blocked. This corresponds to states Ⓒ and Ⓓ, where the same current flows through  $L_1$  and  $L_2$ . The corresponding states matrices are then given by:

$$\begin{aligned} \mathbf{A}_c = \mathbf{A}_h &= \begin{bmatrix} 0 & -\frac{1}{C_0} & 0 \\ \frac{1}{L_1+L_2} & -\frac{r_1+r_2}{L_1+L_2} & 0 \\ \frac{1}{L_1+L_2} & -\frac{r_1+r_2}{L_1+L_2} & 0 \end{bmatrix} \\ \mathbf{B}_c = \mathbf{B}_h &= \begin{bmatrix} \frac{\alpha}{C_0} & 0 \\ 0 & 0 \\ 0 & 0 \end{bmatrix} \end{aligned} \quad (7)$$

It can be noted that in that case, the instantaneous natural inversion frequency changes from  $1/(2\pi\sqrt{L_1C_0})$  to  $1/(2\pi\sqrt{(L_1+L_2)C_0})$  (not taking into account the effect of losses), as the voltage across  $L_2$  is no longer clipped by the rectifier voltage.

As the current decreases however, its absolute rate reaches once again the maximum rate allowed through  $L_2$  (voltage clipping to  $\mp V_{DC}$  - states Ⓔ and Ⓕ). In that case, the state matrices yield:

$$\mathbf{A}_d = \mathbf{A}_i = \begin{bmatrix} 0 & -\frac{1}{C_0} & 0 \\ \frac{1}{L_1} & -\frac{r_1}{L_1} & 0 \\ 0 & 0 & -\frac{r_2}{L_2} \end{bmatrix} \quad (8)$$

$$\mathbf{B}_d = \begin{bmatrix} \frac{\alpha}{C_0} & 0 \\ 0 & \frac{1}{2L_1} \\ 0 & -\frac{1}{2L_2} \end{bmatrix} ; \mathbf{B}_i = \begin{bmatrix} \frac{\alpha}{C_0} & 0 \\ 0 & -\frac{1}{2L_1} \\ 0 & \frac{1}{2L_2} \end{bmatrix}$$

Finally, as the piezovoltage inversion stops (cancellation of the current through  $L_1$ ), residual current may still flow through  $L_2$  and the rectification stage (states Ⓔ and Ⓕ). The associated state matrices are given by:

$$\mathbf{A}_e = \mathbf{A}_j = \begin{bmatrix} 0 & 0 & 0 \\ 0 & 0 & 0 \\ 0 & 0 & -\frac{r_2}{L_2} \end{bmatrix} \quad (9)$$

$$\mathbf{B}_e = \begin{bmatrix} \frac{\alpha}{C_0} & 0 \\ 0 & 0 \\ 0 & -\frac{1}{2L_2} \end{bmatrix} ; \mathbf{B}_j = \begin{bmatrix} \frac{\alpha}{C_0} & 0 \\ 0 & 0 \\ 0 & \frac{1}{2L_2} \end{bmatrix}$$

### B. State switching conditions and derivation of other quantities

While the previous analysis allowed to derived the governing equation for each state, this subsection discusses the conditions for changing from one state to another one. To this end, the voltage  $V_{L2}$  across inductor  $L_2$  is also considered:

$$V_{L2} = L_2 \dot{I}_{L2} + r_2 I_{L2} \quad (10)$$

Additionally, the previously exposed model being intended to be solved through numerical iterations, the variables are here considered as discrete. However, for the sake of clarity, the discrete step index will be omitted.

From the open circuit stage Ⓐ (*resp.* Ⓙ), the condition to enter the switching state Ⓑ (*resp.* Ⓒ) is either based on the velocity or the voltage. The SSHI is indeed based on connecting the switching circuit on velocity cancellation ( $\dot{u} = 0$ ), but practically, its implementation relies, in a equivalent way, on the detection of extremal voltage.

Once in state Ⓑ (*resp.* Ⓒ), where the voltage across  $L_2$  is clipped by  $+V_{DC}/2$  (*resp.*  $-V_{DC}/2$ ) and with current from the piezoelectric element flowing through  $L_1$ , the absolute current increase rate through  $L_2$  is thus limited and is less than the absolute current through  $L_1$  (Fig. 2). The end of this state is not only determined by  $V_{L2}$ , but also considering the current flowing through the diodes  $D_1$  and  $D_2$  which should be direct. Hence, the following conditions should be satisfied to stay in state Ⓑ (*resp.* Ⓒ):

$$\begin{cases} |V_{L2}| \geq \frac{V_{DC}}{2} \\ \text{sgn}(V_{L2}) \times (I_{L1} - I_{L2}) \geq 0 \end{cases} \quad (11)$$

with  $\text{sgn}(x)$  the signum function of the variable  $x$ . In Eq. (11), the second condition relates the current direction in the

diodes (the signum of  $V_{L2}$  allowing determining which diode conducts, while the current differentiation gives the current direction). When one of these conditions is no longer met, the circuit thus enters in state ③ (*resp.* ④).

When operating in state ③ (*resp.* ④), the rectification stage is blocked, and the inversion is solely done through  $L_1$  and  $L_2$  (the inversion frequency is thus reduced compared to states ①, ②, ⑤ and ⑥). The condition to stay in this state ③ (*resp.* ④) is to have a voltage across  $L_2$ ,  $V_{L2}$ , higher than  $-V_{DC}/2$  (*resp.* lower than  $+V_{DC}/2$ ):

$$|V_{L2}| \leq \frac{V_{DC}}{2} \quad (12)$$

As soon as this condition is no longer satisfied, the circuit enters in state ⑤ (*resp.* ⑥), where the inversion is performed with one of the rectifier branch conducting. Similarly to state ③ (*resp.* ④), the condition to stay in this configuration is given by Eq. (11).

Once Eq. (11) is no longer valid, the piezovoltage inversion process is terminated but residual current in  $L_2$  yields a continuation of the diode bridge conduction (state ③ - *resp.* ④). This conduction lasts until the absolute voltage across  $L_2$ , namely  $|V_{L2}|$ , is greater than  $V_{DC}/2$  and as a direct current flows through  $D_2$  (*resp.*  $D_1$ ), yielding same conditions as in Eq. (11). Once terminated, the circuit goes back to original configuration (state ① - *resp.* ②).

#### IV. NUMERICAL DISCUSSION

This section proposes to discuss the performance of the p-SSHI architecture under various parameter configurations. Assuming the piezoelectric element driven by a monochromatic signal of frequency  $f$ , harvested energy for one switching cycle  $W_{harv}$  can be obtained through one of the following relationships (respectively referring to positive and negative piezovoltage switching):

$$\begin{cases} W_{harv} = \frac{V_{DC}}{2} \int_{t_b|_{beg}}^{t_e|_{end}} |I_h(t)| dt \\ W_{harv} = \frac{V_{DC}}{2} \int_{t_g|_{beg}}^{t_j|_{end}} |I_h(t)| dt \end{cases} \quad (13)$$

where  $t_x|_{beg}$  refers to the time instant when state  $x$  begins and  $t_y|_{end}$  the time instant when the state  $y$  consecutive to  $x$  finishes.  $I_h(t)$  is besides defined as the current flowing through the harvesting stage:

$$I_h(t) = I_{L1}(t) - I_{L2}(t) \quad (14)$$

As two harvesting processes occur per period (respectively on positive and negative voltage values), the total harvested power  $P_{harv}$  turns to:

$$P_{harv} = 2fW_{harv} \quad (15)$$

For comparison purposes, other typical circuits consisting of standard interface (sole rectifier bridge with smoothing capacitor [31]), parallel SSHI (rectifier with smoothing capacitor and switching unit in parallel to it [6, 7]) and series SSHI (rectifier with smoothing capacitor and switching unit in series between the piezoelectric element and rectifier [6, 8]) may be

considered. The associated power expressions, in the case of full-wave voltage doublers, are given by:

$$\begin{aligned} P_{stand} &= fV_{DC} (2\alpha u_M - C_0 V_{DC}) \\ P_{p-SSHI} &= fV_{DC} (2\alpha u_M - \frac{1-\gamma}{2} C_0 V_{DC}) \\ P_{s-SSHI} &= \frac{1+\gamma}{1-\gamma} fV_{DC} (2\alpha u_M - C_0 V_{DC}) \end{aligned} \quad (16)$$

where  $\gamma$  denotes the voltage inversion factor:

$$\gamma = e^{-\frac{\pi}{2Q_i}} \quad , \quad Q_i = \frac{1}{r} \sqrt{\frac{L}{C_0}} \quad (17)$$

with  $L$  and  $r$  the respective inductor value and equivalent loss resistor in the switching unit (including inductor losses). Obtained results in terms of output voltages and powers are depicted in Fig. 4 for several cases of adimensional inductance values defined as:

$$\tilde{L}_x = L_x C_0 (2\pi f)^2 \quad (18)$$

with  $\tilde{\chi}$  is the adimensional counterpart of the parameter  $\chi$ , and  $x$  is the subscript associated to the parameter<sup>1</sup>. Also, constant electrical quality factor  $Q_i$  has been considered for the inductors, which has been potentially varied from one simulation to another. In practical application however, and because some parts of the switching event would experience larger inversion frequency as  $L_1$  decreases (keeping  $L_1 + L_2$  constant), the electrical quality factor may slightly increase and so would be the power. Hence, presented results may be slightly underestimated. Load values have been obtained by dividing the squared rectified voltage by the calculated associated power output. Finally, for an easier and general comparison, the powers, voltages and loads have been normalized to the respective maximal power, optimal voltage and optimal load in the standard case.

These results demonstrates that, for relatively high  $L_2/L_1$  inductance ratio and moderate to high electrical quality factor, a significant harvested power can be achieved over a wide voltage/load range, combining the advantage of SSHI in terms of power gains and SECE in terms of power robustness facing load variations. However, the maximal voltage that can be achieved in quasi open-circuit keeps lower than the parallel SSHI. Under the considered conditions (constant electrical quality factor for each plot), it can be noticed that the total inductance value has almost no impact on the power curves, while the inductance ratio plays a great role. While all the curves starts following the response of series SSHI, increasing the load (or rectified voltage) may induce a second peak in terms of power. Especially, for relatively high value of inductance  $L_2$  (hence with significant energy stored in this inductance), the second peak is getting closer to the parallel SSHI optimal point as  $L_2$  value increases. This therefore permits a wide load range with a significant output power, although a relatively limited well appears as the electrical quality factor (or equivalently the inversion factor) increases.

<sup>1</sup>Note that thanks to the switching principles, the normalized inductance value is much less than the unit (the latter corresponding to passive impedance matching), denoting a more realistic implementation.

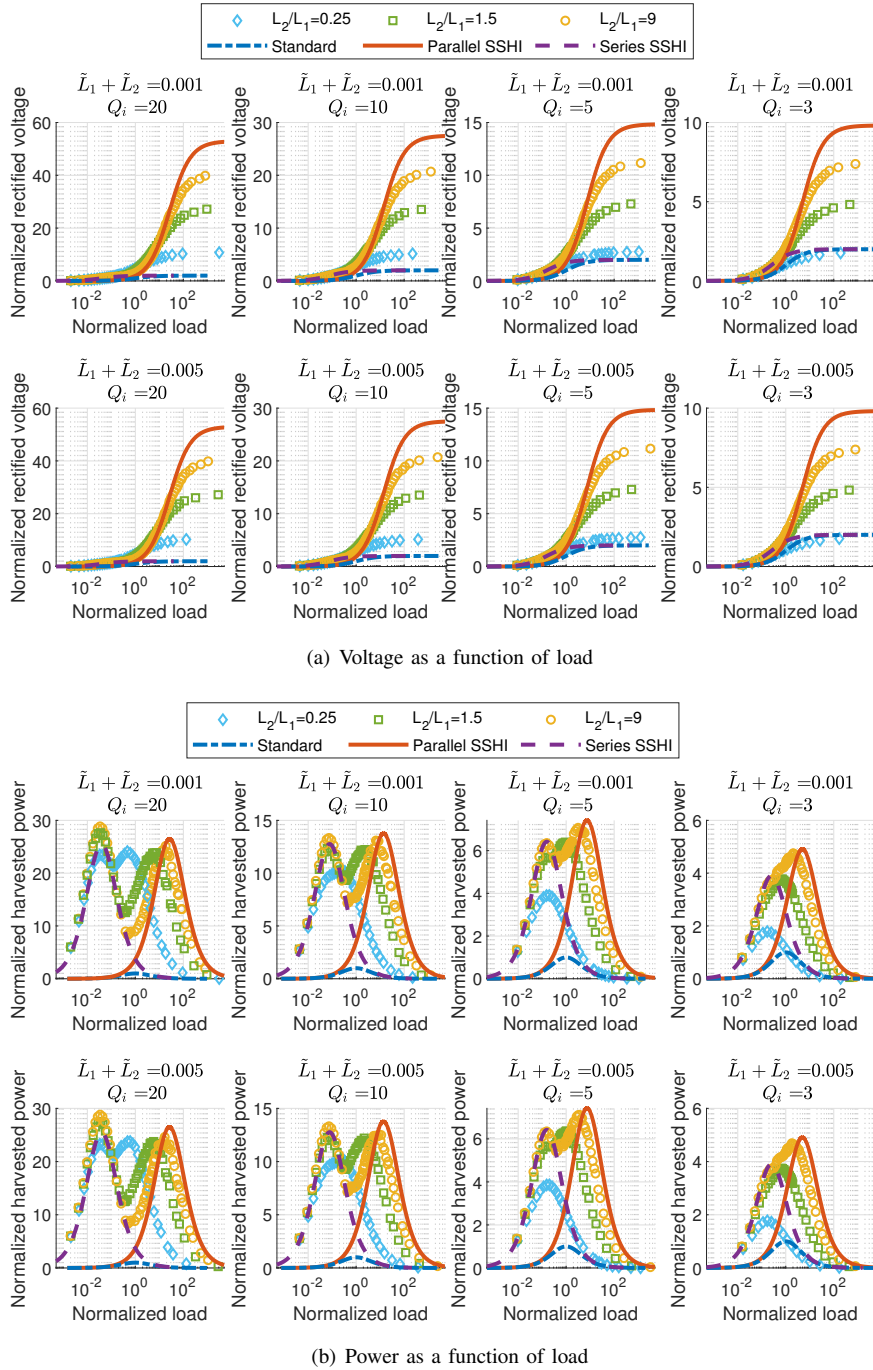


Fig. 4. Obtained voltages and powers from numerical resolution.

In order to evaluate the electrostatic energy available on the piezoelectric energy as well as the conversion enhancement enabled by the switching process, Fig. 5 depicts the voltage just before the energy extraction. Hence, it can be noticed that the latter is particularly high for low load values in the case of series SSHI, and for high load values for parallel SSHI. This is explained by the fact that the voltage inversion is done with respect to half the rectified voltage in the former case, and by the voltage clipping to half the rectified voltage in the latter approach. Hence, this may yield significant losses, especially related to diode threshold voltage, when the load is high for

the series SSHI (as almost no inversion event occurs) and for low load values in the case of parallel SSHI (the voltage clipping being mostly induced by the diodes). In the case of sp-SSHI however, thanks to the hybrid approach enabled by the two inductors, it can be noticed that the piezovoltage remains at a rather high value over the full load range. Hence, this not only denotes the better ability for enhancing the energy conversion, but also permits to mitigate the conduction losses during charge transfer to the storage stage. Also, thanks to the supplementary energy stored in  $L_2$  that is then released as the inversion event is terminated, natural discharge to the storage

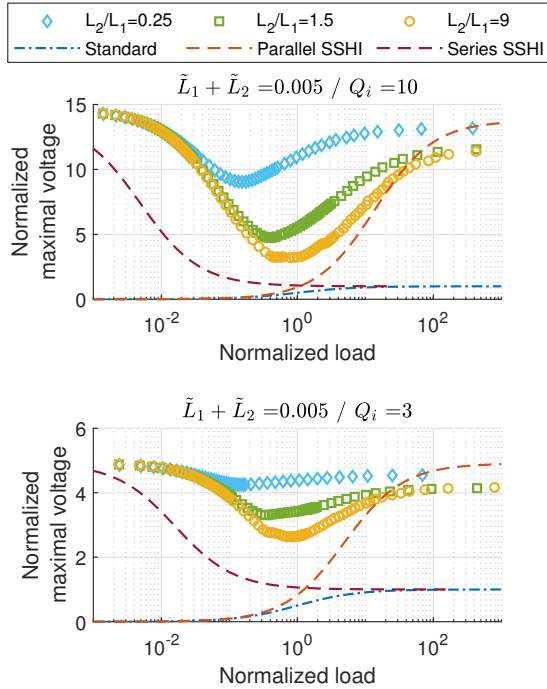


Fig. 5. Piezoelectric element voltage just before switching.

stage happens, with an overvoltage peak that allows bypassing the diode thresholds.

The inductance values also impact the inversion time and thus required timing and associated power consumption. Additionally, contrary to previous SSHI and SECE approaches, changing the rectified voltage, or equivalently the load, yields a modification of the inversion time (steps ⑥ to ④ and ⑥ to ① in Fig. 2). More precisely, the voltage being clipped in steps ⑥, ④, ⑥ and ①, only inductor  $L_1$  contributes to the inversion time, while both inductors intervene in steps ③ and ④. Hence, the total inversion time  $t_i$  is comprised between the two boundaries defined by the total effective inductor as:

$$\pi\sqrt{L_1 C_0} \leq t_i \leq \pi\sqrt{(L_1 + L_2) C_0} \quad (19)$$

where the lower boundary corresponds to low voltages/loads (piezovoltage almost always clipped) and the upper one to large values of voltage or load (almost no clipping). Hence, reducing the inductance values may allow reduced inversion time, which however can significantly increase the losses, especially due to the higher current peak caused by faster switching process (notably due to nonlinear effects such as iron losses). These losses besides vary with the load or voltage which change the inversion time and peak current. Nonetheless, typical implementations of self-powered switches ([11–13]) rely on a diode for stopping the inversion (which occurs when the current flowing out the piezoelement cancels). Therefore, even if the inversion time may vary, this allows an automatic adjustment of the switching time.

Another very interesting feature of the sp-SSHI is its ability to provide an outstanding power boost at low voltage/load values, even higher than the conventional parallel or series SSHI for a significant value of the electrical quality factor. Such a

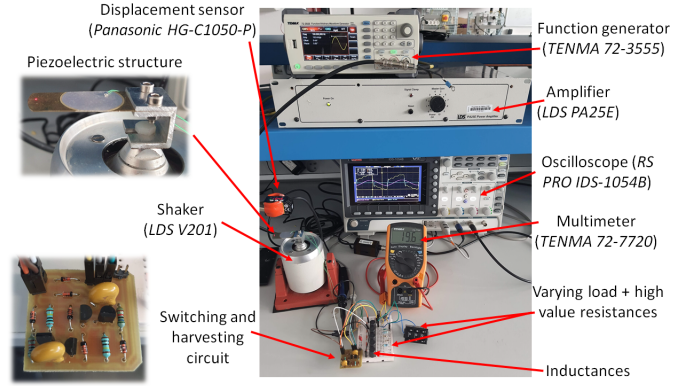


Fig. 6. Experimental set-up.

unique feature is explained by the additional energy stored in inductance  $L_2$ , especially at low rectified voltage/load. Indeed, while the voltage clipping yields charges flowing to the storage stage (as in the series SSHI case), some extra energy is also accumulated by  $L_2$ , and then released to the storage in the next steps (e.g., states ③ and ①). This energy therefore adds up to the former one, thus leading to a substantial gain compared to the traditional SSHI approaches. As the rectified voltage/load are increasing, the structure gets closer to the parallel SSHI still through  $L_2$ , and most of the current flowing through this inductance is used for voltage flipping (reduced voltage clipping).

## V. EXPERIMENTAL VALIDATION

Based on the previous concept and analysis, this section aims at experimentally assessing the real performance of the proposed circuit. In order to reflect as much as possible realistic implementation, the device will be made totally autonomous through the use of a self-powered switching unit.

### A. Experimental set-up

The experimental device (Fig. 6) is made of a piezoelectric cantilever beam obtained by cutting two commercial buzzers (RS PRO 837-7844). The two buzzer pieces were then bonded onto each other through their substrate. The output terminal of each beam have been connected in serial configuration. This electromechanical structure is mounted on an electrodynamic shaker fed by a function generator through a power amplifier that applies a base acceleration on the piezoelectric system. The excitation frequency is set to 100 Hz which is slightly

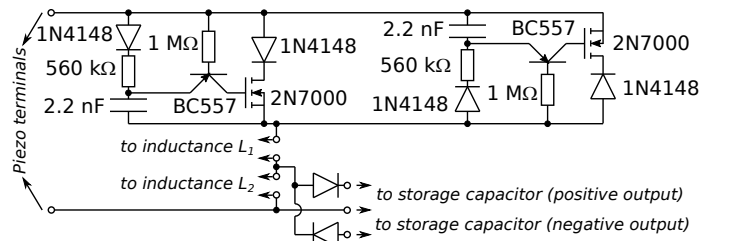


Fig. 7. Implementation of the self-powered switch.



| Parameter                       | Value                  |
|---------------------------------|------------------------|
| Clamped capacitance $C_0$       | 44.4 nF                |
| Force factor $\alpha$           | 1.9 mN.V <sup>-1</sup> |
| Electrical quality factor $Q_i$ | 3.52                   |

TABLE I  
MODEL PARAMETERS.

off resonance, and the tip displacement magnitude is kept constant to 120  $\mu\text{m}$  peak and monitored using a laser optical sensor. Electrical signals (piezovoltage, function generator output voltage and displacement sensor output) are observed through an oscilloscope while DC output voltage is monitored using a multimeter.

The self-powered switch is implemented following the initial proposal made by Richard et al. ([11], [12]), as depicted in Fig. 7. While it is less compact than the configuration proposed by Eltamaly and Addoweesh in [13] which advantageously uses some transistors for two functions (diode for filtering during one half period, comparator for the other half), it allows better handling high voltages. 5 inductors (RL181S-104J-RC, manufactured by Bourns), each with a value of 100 mH, have been connected serially, with access to each intermediate node to connect the harvesting stage in the sp-SSHI configuration. For series and parallel SSHI, all of the 5 inductors were kept in the inversion circuit for fair comparison. Two 47  $\mu\text{F}/25\text{ V}$  capacitors, picked from CCC-14 kit from Nova, were selected as smoothing capacitors. The output of the harvesting stage was then connected to a varying resistive load. In the case of loads greater than 1 M $\Omega$ , the voltage was monitored on a series 1 M $\Omega$  resistor (that was taken into account in the total load value) in order to ensure a negligible effect of the voltmeter input impedance (typically 10 M $\Omega$ ), and the total rectifier voltage was derived using standard resistive divider formula.

Prior to power measurements, model identification has been performed. Obtained parameters are listed in Table I. The inversion factor  $\gamma$  was obtained with the harvesting stage disconnected, allowing the derivation of the electrical quality factor according to Eq. (17).

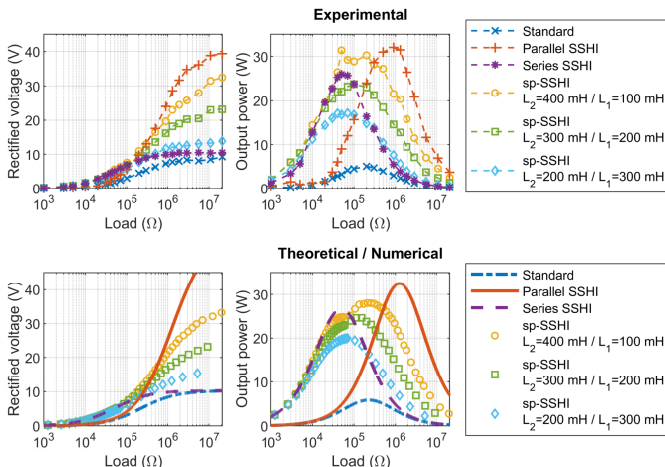


Fig. 8. Experimental voltages and harvested powers and comparison with numerical and theoretical resolutions.

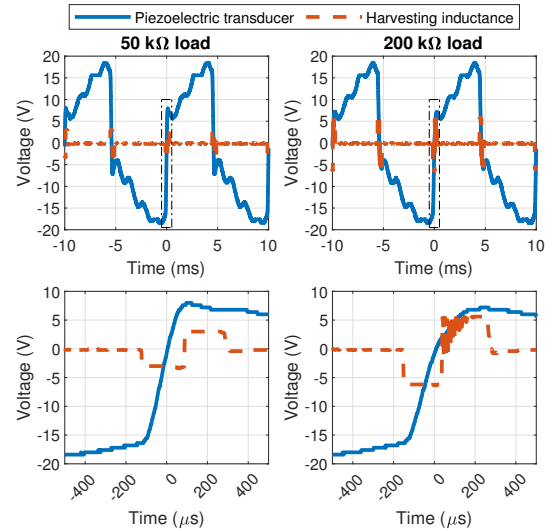


Fig. 9. Waveforms for  $L_1 = 100\text{ mH}$  and  $L_2 = 400\text{ mH}$  with 50 k $\Omega$  and 200 k $\Omega$  loads.

## B. Result and discussions

Based on the previously exposed experimental device and set-up, energy harvesting capabilities were assessed. The influence of the parallel to series inductance ratio was considered, while keeping the total inductance constant (including in the SSHI cases). Results are exposed in Fig. 8.

These results therefore confirm the capabilities of the sp-SSHI for providing similar performance than the series and parallel SSHI in terms of maximal output power, while allowing a wide range of operating loads (or equivalently, of states of the connected electronic device). While the series and parallel SSHI half-power load range are roughly [10 k $\Omega$ , 300 k $\Omega$ ] and [100 k $\Omega$ , 4 M $\Omega$ ] respectively, it is gaining a factor of 5 when using the sp-SSHI ([10 k $\Omega$ , 2M $\Omega$ ]), hence covering more than two decades. It is also noteworthy that experimentally obtained results in terms of power for the sp-SSHI are better than in the theoretical case, which may be explained by higher electrical quality factor as the switching frequency increases when the voltage across  $L_2$  is clipped.

Such an effect actually leads to two voltage peaks that appear even for relatively low values of the electrical quality factor. Fig. 9 shows the voltage waveforms obtained in the case of  $L_2=400\text{ mH}$  and  $L_1=100\text{ mH}$  for the two power peaks. Hence, it can be noticed that for the lowest optimal load (50 k $\Omega$ ), three harvesting events occur (voltage clipping for each polarity, with the second one continuing after the switching event) with an almost instantaneous change from one harvesting event to the other one, while for the highest optimal load (200 k $\Omega$ ), almost only one harvesting event arises.

## VI. CONCLUSION

This study introduced an architecture aiming at improving the energy harvesting performance of piezoelectric microgenerator. By splitting the inductance used in the SSHI approach, and connecting the harvesting stage (rectifier) at the middle point, a hybrid interface between series and parallel configuration is achieved. One particular aspect of such an

|                           | Power (w.r.t. standard case) | Load bandwidth (w.r.t. optimal load in standard case)                   | Self-powering capabilities |
|---------------------------|------------------------------|---|----------------------------|
| Standard                  | 1                            | [0.2; 5]  | Straightforward            |
| Parallel SSHI             | 7-10                         | [0.5; 20]   | Easy                       |
| Series SSHI               | 6-9                          | [0.05; 1.5]   | Easy                       |
| SECE ([20])               | 3-4                          | $[-\infty, \infty]$ theoretically<br>3 decades practically <sup>2</sup> | Complex                    |
| Hybrid SSHI ([25])        | 7-10                         | [0.5; 500] <sup>3</sup>   | Easy <sup>4</sup>          |
| DSSH ([23]) / ESSH ([24]) | 5-7                          | Similar to SECE   | Very complex               |
| SICE ([27])               | 6-8                          | Similar to SECE   | Very complex               |
| sp-SSHI                   | 8-10                         | [0.05; 10]  | Easy                       |

TABLE II  
COMPARISON OF ENERGY HARVESTING TECHNIQUES.

approach is that the inductance in parallel with the rectification stage permits a supplementary energy release step after the switching event. The performance analysis of the circuit, based on state-space simulations and experimental investigations, demonstrated that a wider range of operating voltage or resistive load is achieved. Additionally, under particular conditions (limited losses and high ratio of the parallel inductance over the series one), the proposed techniques permits and outstanding gain, even bypassing the case of parallel SSHI. Further works may consider the investigation of the damping induced by such a technique, as well as integrated solutions limiting the losses in the energy transfer steps and inversion events.

Table II proposes as a general synthesis a comparison between the sp-SSHI technique and other typical approaches. Hence, it can be observed that the proposed method permits a high relative power while ensuring a relatively important load bandwidth and simple and rather compact self-powered implementation. This therefore provides a very attractive means of harvesting energy.

## VII. ACKNOWLEDGEMENTS

The authors acknowledge the support of Institut Carnot Ingénierie@Lyon for partly funding this research through the IMPACT project.

## REFERENCES

- [1] J. VanZwol, "Designing battery packs for thermal extremes", *Power Electronics Technology*, July 2006, 40–45, 2006.
- [2] V. Knap, D.-I. Stroe, M. Swierczynski, R. Teodorescu and E. Schaltz, "Investigation of the Self-Discharge Behavior of Lithium-Sulfur Batteries", *J. Electrochem. Soc.*, 163 (6), A911-A916, 2016.
- [3] F. K. Shaikh and S. Zeadally, "Energy harvesting in wireless sensor networks: A comprehensive review", *Renew. Sust. Energy Rev.*, 55, 1041-1054, 2016.
- [4] D. Newell and M. Duffy, "Review of Power Conversion and Energy Management for Low-Power, Low-Voltage Energy Harvesting Powered Wireless Sensors", *IEEE Trans. Power Elec.*, 34(10), 9794-9805, 2019.
- [5] C. Wei and X. Jing, "A comprehensive review on vibration energy harvesting: Modelling and realization", *Renew. Sust. Energy Rev.*, 74, 1-18, 2017.
- [6] E. Lefeuvre, A. Badel, C. Richard, L. Petit and D. Guyomar, "A comparison between several vibration-powered piezoelectric generators for standalone systems", *Sens. Act. A: Phys.*, 126, 405-416, 2006.
- [7] D. Guyomar, A. Badel, E. Lefeuvre and C. Richard, "Toward Energy Harvesting Using Active Materials and Conversion Improvement by Nonlinear Processing", *IEEE Trans. Ultrason. Ferroelec. Freq. Cont.*, 52(4), 584-595, 2005.
- [8] G. W. Taylor, J. R. Burns, S. M. Kammann, W. B. Powers and T. R. Welsh, "The Energy Harvesting Eel: A Small Subsurface Ocean/River Power Generator", *IEEE J. Ocean. Eng.*, 26(4), 539-547, 2001.
- [9] B. Zhao, K. Zhao, X. Wang, J. Liang and Z. Chen, "Series Synchronized Triple Bias-Flip Circuit: Maximizing the Usage of Single Storage Capacitor for Piezoelectric Energy Harvesting Enhancement", *IEEE Trans. Power Elec.*, 36(6), 6787-6796, 2021.
- [10] M. Lallart, W.-J. Wu, L. Yan and S.-W. Hung, "Inductorless Synchronized Switch Harvesting Using a Piezoelectric Oscillator", *IEEE Trans. Power Elec.*, 35(3), 2585-2594, 2020.
- [11] C. Richard, D. Guyomar and E. Lefeuvre, "Self-powered electronic breaker with automatic switching by detecting maxima or minima of potential difference between its power electrodes", Patent# PCT/FR2005/003000, 2007.
- [12] M. Lallart and D. Guyomar, "Optimized Self-Powered Switching Circuit for Non-Linear Energy Harvesting with Low Voltage Output", *Smart Mater. Struct.*, 17, 035030, 2008.
- [13] A. M. Eltamaly and K. E. Addoweesh, "A Novel Self-Power SSHI Circuit for Piezoelectric Energy Harvester", *IEEE Trans. Power Elec.*, 35(3), 2585-2594, 2020.
- [14] Z. Chen, Y. Xia, G. Shi, X. Wang, H. Xia and Y. Ye, "Self-Powered Multi-Input Serial SSHI Interface Circuit With Arbitrary Phase Difference for Piezoelectric Energy Harvesting", *IEEE Trans. Power Elec.*, 36(8), 9183-9192, 2021.
- [15] X. Wang, Y. Xia, G. Shi, H. Xia, Z. Chen, Y. Ye and Z. Zhu, "A Self-Powered Rectifier-Less Synchronized Switch Harvesting on Inductor Interface Circuit for Piezoelectric Energy Harvesting", *IEEE Trans. Power Elec.*, 36(8), 9149-9159, 2021.
- [16] H. Xia, J. Xiong, Y. Xia, Z. Chen, X. Wang, Y. Ye and G. Shi, "Self-Powered Dual-Inductor MI-PSSHI-VDR Interface Circuit For Multi-PZTs Energy Harvesting", *IEEE Trans. Power Elec.*, *in press*.
- [17] G. K. Ottman, H. F. Hofmann and G. A. Lesieutre, "Optimized piezoelectric energy harvesting circuit using step-down converter in discontinuous conduction mode", *IEEE Trans. Power Electron.*, 18(2), 696–703, 2003.
- [18] E. Lefeuvre, D. Audigier, C. Richard and D. Guyomar, "Buck-boost converter for sensorless power optimization of piezoelectric energy harvester", *IEEE Trans. Power Electron.*, 22(5), 2018–2025, 2007.
- [19] M. Lallart and D. J. Inman, "Low-Cost Integrable Tuning-free Converter for Piezoelectric Energy Harvesting Optimization", *IEEE Trans. Power Electron.*, 25(7), 1811-1819, 2010.
- [20] E. Lefeuvre, A. Badel, C. Richard and D. Guyomar, "Piezoelectric Energy Harvesting Device Optimization by Synchronous Electric Charge Extraction", *J. Intell. Mat. Syst. Struct.*, 16, 865-876, 2005.
- [21] X. Wang, Y. Xia, Y. Du, H. Xia, G. Shi, Y. Ye and Z. Chen, "Multi-Input SECE based on Buck Structure for Piezoelectric Energy Harvesting", *IEEE Trans. Power Electron.*, 36(4), 3638-3642, 2020.
- [22] A. Romani, M. Filippi and M. Tartagni, "Micropower Design of a Fully Autonomous Energy Harvesting Circuit for Arrays of Piezoelectric Transducers", *IEEE Trans. Power Elec.*, 29(2), 729-739, 2014.
- [23] M. Lallart, L. Garbuio, L. Petit, C. Richard and D. Guyomar, "Double Synchronized Switch Harvesting (DSSH): A New Energy Harvesting Scheme for Efficient Energy Extraction", *IEEE Trans. Ultrason., Ferroelec. Freq. Cont.*, 55(10), 2119-

<sup>2</sup>Exact normalized range varies according to voltage value.

<sup>3</sup>with significant power well within range

<sup>4</sup>However, the need of a transformer yields a bulky implementation.

- 2130, 2008.
- [24] H. Shen, J. Qiu, H. Ji, K. Zhu and M. Balsi, “Enhanced synchronized switch harvesting: a new energy harvesting scheme for efficient energy extraction”, *Smart Mater. Struct.*, 19(11), 115017, 2010.
  - [25] M. Lallart, C. Richard, L. Garbuio, L. Petit and D. Guyomar, “High Efficiency, Wide Load Bandwidth Piezoelectric Energy Scavenging by a Hybrid Nonlinear Approach”, *Sens. Act. A.: Phys.*, 165(2), 294-302, 2011.
  - [26] Y. Wu, A. Badel, F. Formosa, W. Liu and A. Agbossou, “Piezoelectric vibration energy harvesting by optimized synchronous electric charge extraction”, *J. Intell. Mat. Syst. Struct.*, 24(12), 1445-1458, 2012.
  - [27] M. Lallart, W.-J. Wu, Y. Hsieh and L. Yan, Synchronous Inversion and Charge Extraction (SICE): a Hybrid Switching Interface for Efficient Vibrational Energy Harvesting, *Smart Mater. Struct.*, 26(11), 115012, 2017.
  - [28] H. Xia, Y. Xia, G. Shi, Y. Ye, Z. Chen and Q. Jiang, “A Self-Powered S-SSHI and SECE Hybrid Rectifier for PE Energy Harvesters: Analysis and Experiment”, *IEEE Trans. Power Elec.*, 36(2), 1680-1692, 2021.
  - [29] W. P. Mason, *Electromechanical Transducers and Wave Filters*, Princeton NJ, Van Nostrand, 1948. ISBN: 0442051646.
  - [30] A. Badel, M. Lagache, D. Guyomar, E. Lefeuvre and C. Richard, “Finite Element and Simple Lumped Modeling for Flexural Nonlinear Semi-passive Damping”, *J. Intell. Mat. Syst. Struct.*, 18, 727-742, 2007.
  - [31] G. K. Ottman, H. F. Hofmann, A. C. Bhatt, and G. A. Lesieutre, “Adaptive piezoelectric energy harvesting circuit for wireless remote power supply”, *IEEE Trans. Power Electron.*, 17(5), 669–676, 2002.



**Mickaël LALLART** was born in 1983. He graduated from Institut National des Sciences Appliquées de Lyon (INSA-Lyon), Lyon, France, in electrical engineering in 2006, and received his Ph.D. in electronics, electrotechnics, and automatics from the same university in 2008, where he worked for the Laboratoire de Génie Electrique et Ferroélectricité (LGEF). After completing a post-doctoral fellowship in the Center for Intelligent Material Systems and Structures (CIMSS) in Virginia Tech, Blacksburg, VA, USA in 2009, Dr. Lallart has been hired as an

Associate Professor in the Laboratoire de Génie Electrique et Ferroélectricité, and has been appointed full-time Professor in 2019. Dr. Lallart was the recipient of an invited JSPS research fellowship in Tohoku University, Sendai, Japan in 2019-2020 and held an invited adjunct researcher position in North-Western Polytechnical University (NPU), Xi'An, China in 2018-2020. His current field of interest focuses on electroactive conversion and its application to vibration damping and energy harvesting, as well as autonomous, self-powered wireless systems. Since 2006, Dr. Lallart published more than 100 papers in international peer-reviewed journals and authored more than 90 conference papers including 11 personally invited talks and 3 plenary talks. He edited 6 books and participated to 9 book chapters and reviewed more than 250 manuscripts for various journals. Dr. Lallart was also recipient as PI or key partner of national and international academic projects funded by French National Research Agency or European Union for instance, and participated to several industrial collaborations as well.