



HAL
open science

Fracture of honeycombs produced by additive manufacturing

Chen Ling, Josiane Nguejio, Riccardo Manno, Luc St-Pierre, Fabrice Barbe, Ivano Benedetti

► **To cite this version:**

Chen Ling, Josiane Nguejio, Riccardo Manno, Luc St-Pierre, Fabrice Barbe, et al.. Fracture of honeycombs produced by additive manufacturing. *Journal of Multiscale Modelling*, 2022, Special Issue on Fracture and Damage Mechanics - Part II, 13 (02), pp.2144006. <10.1142/S1756973721440066>. <hal-03626245>

HAL Id: hal-03626245

<https://hal.science/hal-03626245v1>

Submitted on 13 Mar 2025

HAL is a multi-disciplinary open access archive for the deposit and dissemination of scientific research documents, whether they are published or not. The documents may come from teaching and research institutions in France or abroad, or from public or private research centers.

L'archive ouverte pluridisciplinaire **HAL**, est destinée au dépôt et à la diffusion de documents scientifiques de niveau recherche, publiés ou non, émanant des établissements d'enseignement et de recherche français ou étrangers, des laboratoires publics ou privés.



HAL Authorization

Fracture of honeycombs produced by additive manufacturing

Chen Ling,^{1, a)} Josiane Nguejio,^{2, b)} Riccardo Manno,^{3, c)} Luc St-Pierre,^{4, d)}
Fabrice Barbe,^{2, e)} and Ivano Benedetti^{5, f)}

¹⁾*Department of Mechanical Engineering, Aalto University, Espoo 02150, Finland*

²⁾*Normandie Univ, INSA Rouen, UNIROUEN, CNRS, GPM, UMR 6634, 76000 Rouen, France*

³⁾*Bristol Composite Institute (ACCIS), Department of Aerospace Engineering,
Queen's Building, University Walk, Bristol, BS8 1TR, United Kingdom*

⁴⁾*Department of Mechanical Engineering, Aalto University, Espoo 02150, Finland.*

⁵⁾*Department of Engineering, University of Palermo, Viale delle Scienze, Edificio 8, 90128, Palermo, Italy*

^{a)}*Corresponding author: chen.l.ling@aalto.fi*

^{b)}*Electronic mail: josiane.nguejio@insa-rouen.fr*

^{c)}*Electronic mail: r.manno@bristol.ac.uk*

^{d)}*Electronic mail: luc.st-pierre@aalto.fi*

^{e)}*Electronic mail: fabrice.barbe@insa-rouen.fr*

^{f)}*Electronic mail: ivano.benedetti@unipa.it*

Abstract. Lattice materials, such as honeycombs, are remarkable in their ability to combine high stiffness, strength and toughness at low density. In addition, the recent and pervasive development of additive manufacturing technologies makes it easier to produce these cellular materials and opens new possibilities to improve their properties by implementing small modifications to their microstructure. Such developments open new opportunities towards the design of new classes of architected materials. For example, recent computational studies have shown that honeycombs with lattice density gradients have a fracture energy under tensile loading up to 50% higher than their uniform counterparts. The aim of the current study is to provide experimental evidence for these promising numerical results. To achieve this, single-edge notched tension specimens, with a honeycomb lattice structures, were manufactured by stereolithography using a ductile polymer resin. The performances of three different honeycombs were compared: (i) a uniform sparse lattice, (ii) a uniform dense lattice, and (iii) a gradient lattice with alternating bands of sparse and dense lattices. The results indicated that specimens with a density gradient may achieve a work of fracture per unit volume that is up to 79% higher than that of a uniform lattice.

INTRODUCTION

Lattice materials, in the form of foams [1] or micro-architected materials [2], possess a unique combination of low density and high relative mechanical performances. For this reason, lattices are considered key enablers for the next generation of aerospace and automotive technologies. Indeed, the production of structural components with a lower weight and able to deliver the same mechanical performances allows reducing fuel consumption and consequently, lowers the application environmental footprint. Furthermore, lattice materials offer an interesting set of other properties such as: (i) high energy absorption per unit mass (ii) mechanical damping (iii) low acoustic and thermal conductivity and (iv) tunable porosity.

Even though the properties of lattices are highly appealing, their deployment in primary structural applications has been hindered by a certain scatter in their mechanical response [3], which stems from a lack of control of their microstructural features, even when additive manufacturing (AM) is employed. Indeed, as shown by Ramezani *et al.* [4], the printing direction may have a significant influence on the overall mechanical response of the lattice material. However, the continuous development of AM technologies is rapidly improving the level of control on the material microstructure and the resolution of the manufactured components [5], offering promising perspectives for the materials by design paradigm.

The improvements in AM technologies offer unprecedented opportunities to fill voids in the design space as they allow creating microstructural patterns of lattice struts to achieve specific properties. While some researchers seek through the innumerable possible configurations using structural optimisation tools [6], others focus on the invaluable inspiration given by Nature. Nature provides numerous examples of materials characterised by outstanding properties thanks to an optimised hierarchical multi-scale arrangement of elementary constituents [7]. In this framework, this study aims at providing preliminary experimental results of the fracture performances under tensile loading of honeycomb lattice materials featuring density variations as observed in several kinds of woods and associated with a tougher mechanical response. The study extends the work performed in Ref. [8, 9] by complementing it with experimental tests performed on three types of honeycombs produced by AM using stereolithography.

MATERIALS AND METHODS

Single-edge notch specimens, with a hexagonal lattice structure, were manufactured with the dimensions shown in Fig. 1. Three types of samples were considered: (i) a gradient lattice, where bands of sparse and dense hexagonal cells are alternated, see Fig. 1; (ii) a uniform lattice made of sparse hexagonal cells only; and (iii) a uniform lattice made of dense hexagonal cells only. These three types of samples had the same overall dimensions and initial notch length.

In the gradient specimens, the proportion of sparse cells with respect to dense ones was selected based on the numerical analyses in Ref. [8], which aimed to maximise the work of fracture. The design of the specimens and the choice of the cell dimensions were similar to those previously manufactured in Ref. [9], allowing a comparison between two different materials and printing techniques (a polymeric resin produced by stereolithography here versus a thermoplastic – ABS – elaborated by fused filament fabrication in [9]). In contrast with the previous ABS specimens, a small modification to the design has been made: the width of the lattice is slightly narrower than the width of the gripping areas, see Fig. 1. This was necessary to avoid fracture close to the grips (note, however, that this was not needed in previous tests on ABS samples as they failed at much lower strains).

All the samples considered in the present study were fabricated by stereolithography using a Form 3 machine from Formlabs. The parent material was a ductile polymeric resin called Tough 2000 and also provided by Formlabs. All specimens were printed with a $50\mu\text{m}$ layer resolution and orientated at 45° from the printing bed, see Fig. 2. After printing, each sample was cured at 70°C in the Form Cure oven for 60 min in accordance with Formlabs recommendation. The specimen was then separated from its supports and kept at room temperature for five hours before testing. Finally, all samples were loaded in tension using a standard mechanical testing machine (Zwick Z020) with a displacement rate of 2 mm/min.

Standard dog-bone specimens were also manufactured, following the procedure detailed above, to measure the tensile response of the Tough 2000 resin, which is shown in Fig. 3. The resin has a Young's modulus of 0.65 GPa up to a yield strength of about 37.3 MPa. The three stress-strain curves show a good repeatability, but the failure strain displays more variability ranging from 0.4 to 0.5.

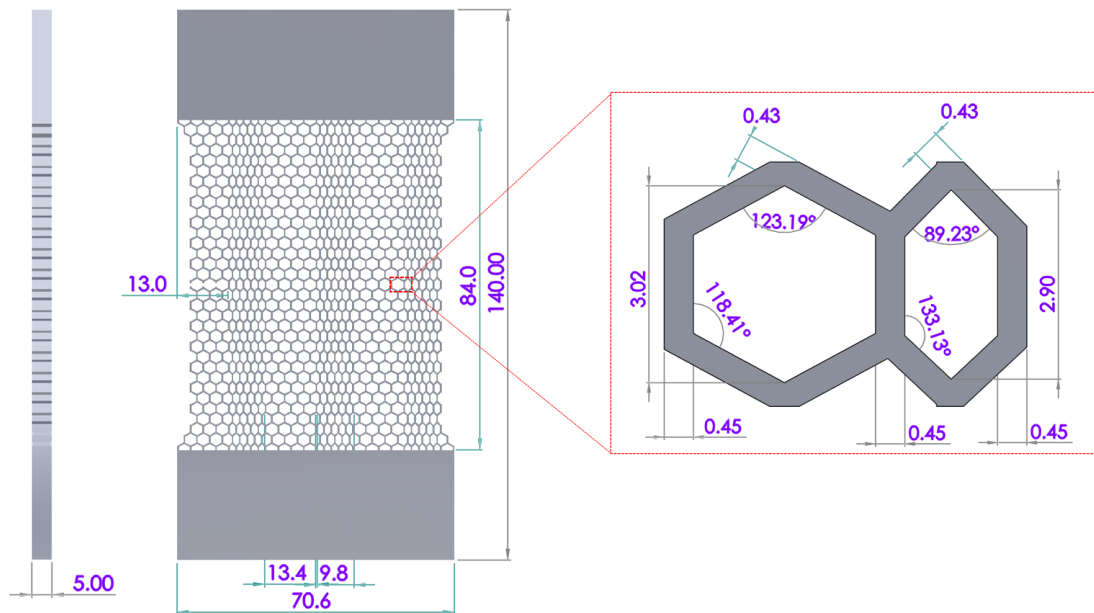


FIGURE 1. Dimensions of a single-edge notch tension specimen with a density gradient lattice. All dimensions are in mm.

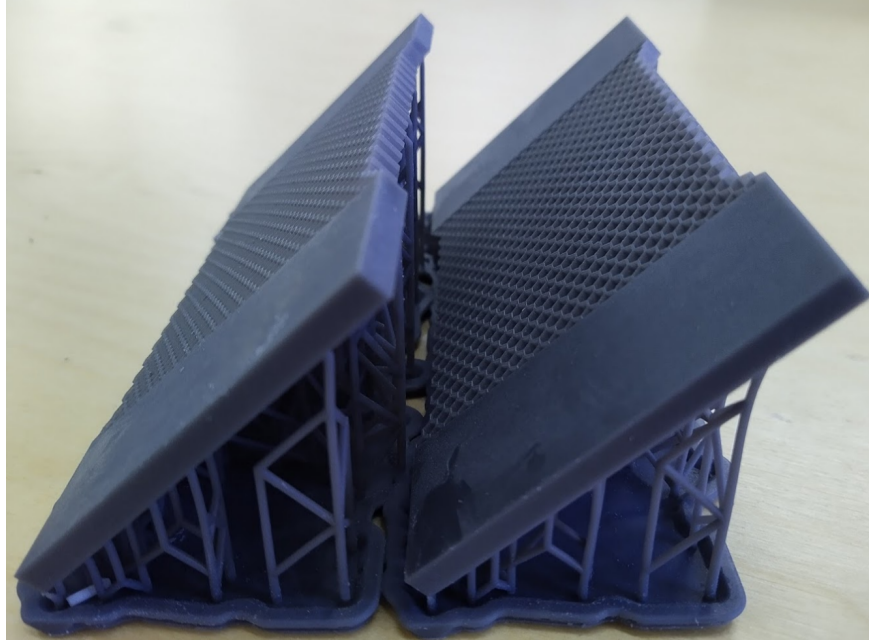


FIGURE 2. Photograph of two samples printed at 45° , after curing and before removing the supports.

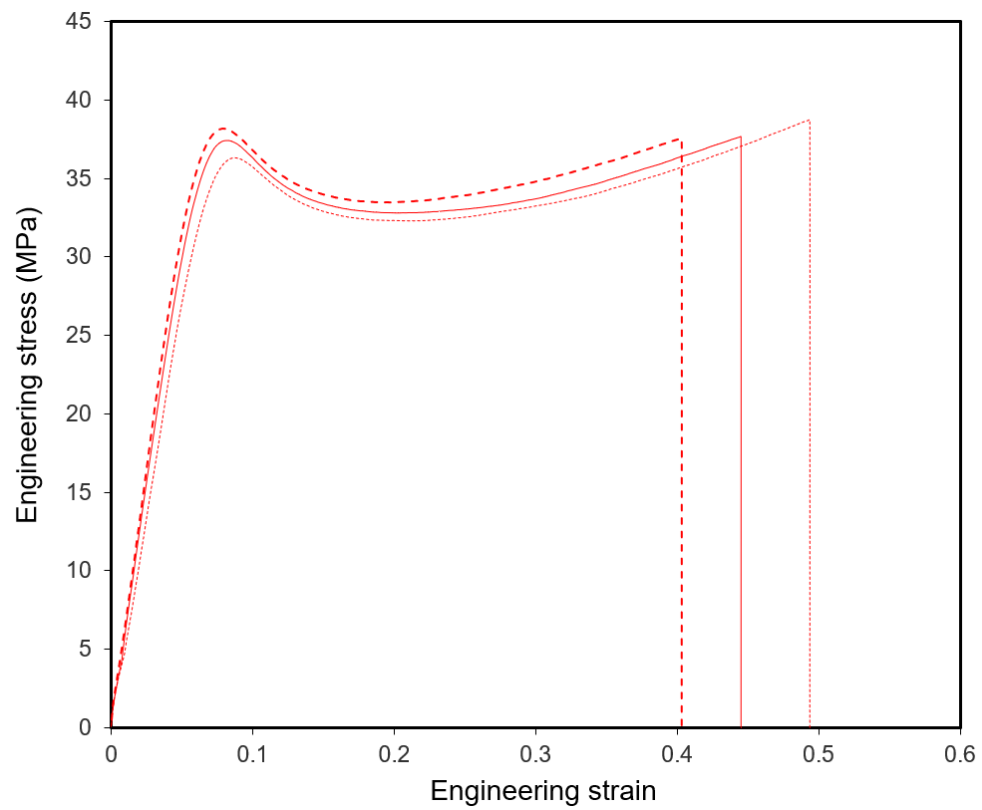


FIGURE 3. Tensile response of the tough 2000 resin measured on three standard dog-bone specimens produced using the same AM process as that employed for the hexagonal lattice structures.

RESULTS

The measured force-displacement responses are shown in Fig. 4, where the three types of specimens are compared. All responses have a linear elastic regime, followed by non-linear deformation up to the peak force. Subsequently, the load drops as the crack propagates from the notch, and this softening response is more abrupt for the gradient lattice compared to uniform samples (sparse and dense). Each geometry was tested twice and the results display a good repeatability, with very similar responses up to the peak force.

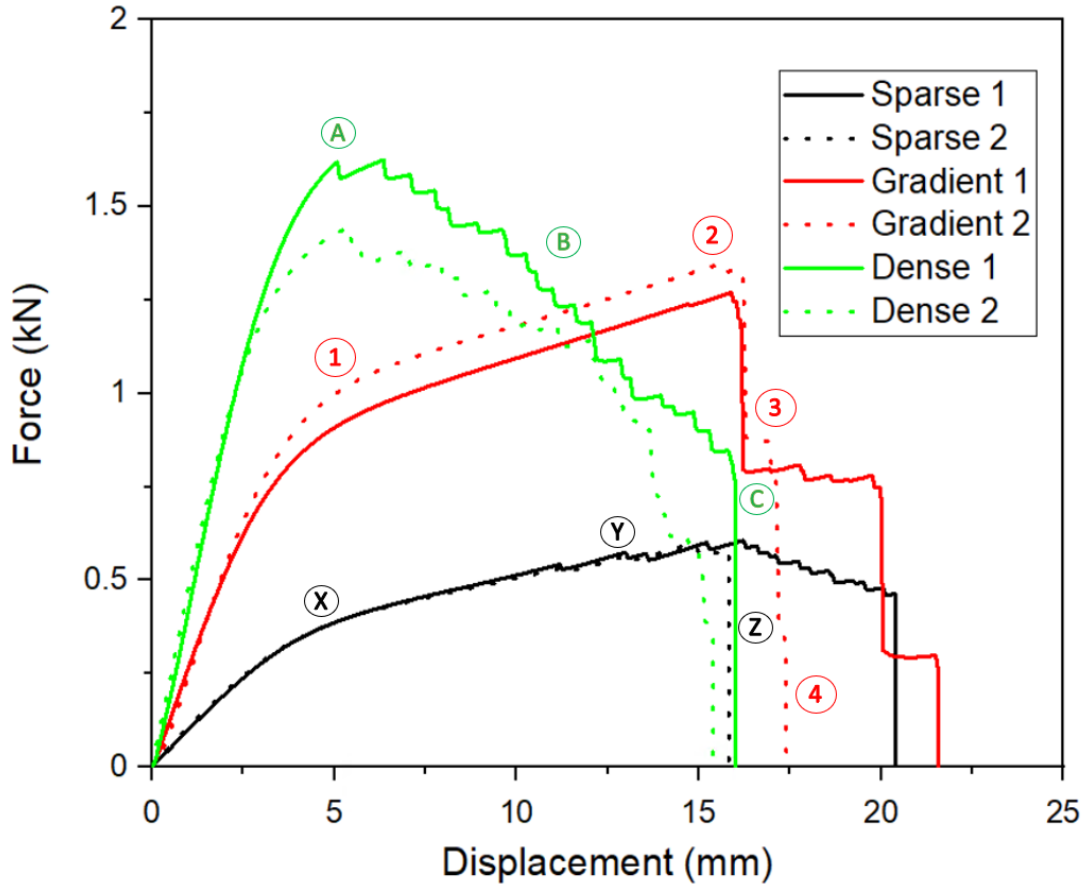


FIGURE 4. Tensile responses for the three types of lattice structures. The labels inside circular symbols refer to the photographs presented in Fig. 5.

Photographs were taken during the tests to capture the crack propagation paths, and these are presented in Fig. 5 for each type of lattices. In all cases, the crack propagated from the initial notch and grew following a path approximately straight, although an initial clear deflection is always highlighted at the first interface between a sparse and a dense band. The crack front remained within the gauge length of the specimen and, as expected from the novel specimen design, no wall failure was observed close to the gripping areas. The crack propagated in a relatively steady manner for uniform lattices (sparse and dense), which lead to a progressive softening in their force-displacement responses, see Fig. 4. In contrast, the crack grew in steps through the gradient lattice: the crack propagated from the initial notch and stopped at the next band of dense hexagonal cells, see Fig. 5. This process explains the step-wise tensile response for the gradient lattice in Fig. 4 and it is consistent with the observations on ABS specimens in Ref. [9].

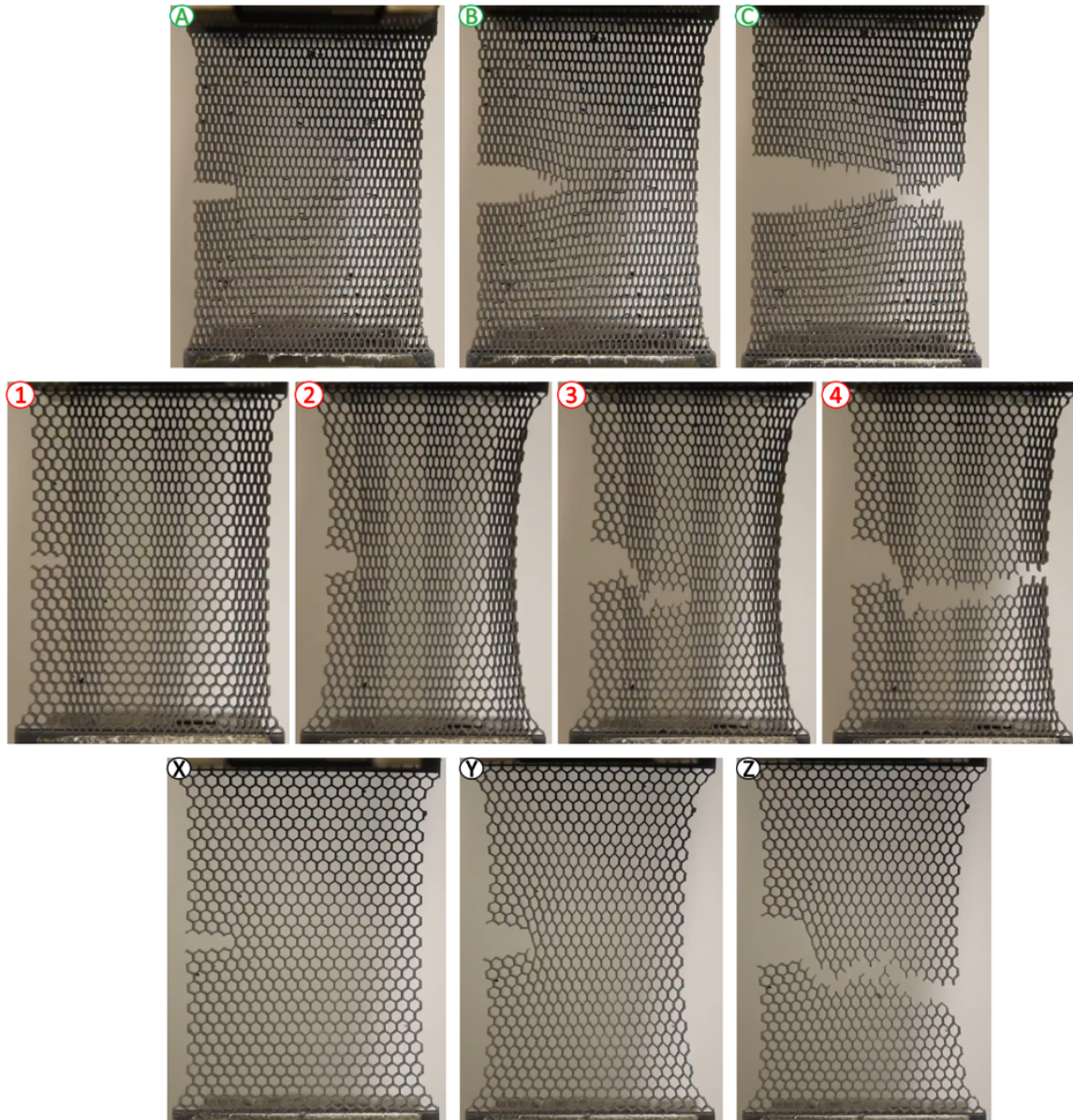


FIGURE 5. Photographs showing the crack path for dense (top row), gradient (middle row) and sparse (bottom row) lattice structures.

The work of fracture, defined as the area under the force-displacement response, was evaluated for each specimen and the results are given in Table I. The three types of samples have a different volume/mass, and therefore, the work of fracture per unit volume is given in Table I to allow a fair comparison between the three types of lattices. The volume of the lattice section from each sample was obtained from the CAD model of each structure. On average, the gradient lattice has the highest work of fracture per unit volume among all the three types of lattices; it is 79% higher than that of the sparse lattice and 10% higher than that of the dense lattice, see Table I. The performance increase with respect to the dense lattice, although seemingly limited, signals the possibility of saving material without compromising and even enhancing toughness of structural components. The mechanism explaining this increase in performances is presumably the mismatch in fracture toughness between the dense and sparse bands, as elucidated by the numerical analyses in [8]. These interfaces not only act as crack arrestors (increasing the energy necessary for further propagation), but also produce two separate equally intense stress concentration zones ahead of the notch tip

instead of one, which leads to crack kinking as observed in numerical simulations and on ABS specimens, see Fig. 6.

TABLE I. Comparison between the fracture performances of each sample.

Sample	Work of fracture (J)	Lattice volume (cm ³)	Work of fracture per unit volume (J/cm ³)	Average work of fracture per unit volume (J/cm ³)
Sparse 1	9.05	5.52	1.64	1.42
Sparse 2	6.60	5.52	1.20	
Gradient 1	18.62	7.07	2.63	2.54
Gradient 2	17.24	7.07	2.44	
Dense 1	18.87	7.62	2.48	2.31
Dense 2	16.30	7.62	2.14	

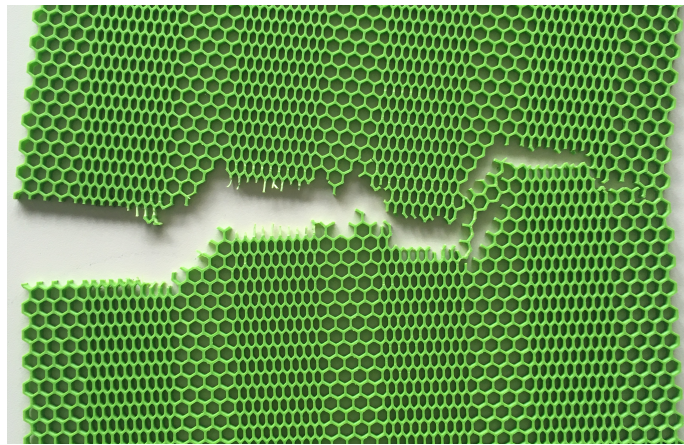


FIGURE 6. Photographs showing the crack path for a gradient lattice structure made of ABS, from [9].

CONCLUSIONS

In this study, we used stereolithography to manufacture single-edge notched tension specimens with hexagonal lattice structures and we investigated their fracture behaviour under tensile loading. The performances of three different designs were compared: (i) a uniform sparse lattice, (ii) a uniform dense lattice, and (iii) a gradient design made from alternating sparse and dense lattice layers. The experiments presented good repeatability and demonstrated the effectiveness of the density gradient concept: the work of fracture per unit volume for the gradient design was 79% higher than that of the sparse lattice and 10% higher than that of the dense lattice. These preliminary results are encouraging and contributing to current efforts in developing high toughness lattice materials [10]. Further work is underway to vary the arrangement and proportions of sparse and dense layers with the objective of maximising the work of fracture in density gradient lattices. Applications will concern both ABS lattices manufactured from fused filaments and resin lattices manufactured using stereolithography. These parent materials will provide a large span of tensile properties to evaluate the ability of numerical modelling to quantitatively predict fracture energies.

ACKNOWLEDGMENTS

CL acknowledges the support from ADDLAB for manufacturing the samples and the assistance of Kim Widell for conducting the experiments. CL and LS are grateful for the financial support provided by the Academy of Finland (decision 322007). JN and FB acknowledge the Region Normandy of France for its financial support as part of the project RIN Recherche PFAN-1.

REFERENCES

1. J. Banhart, "Manufacture, characterisation and application of cellular metals and metal foams," *Progress in Materials Science* **46**, 559–632 (2001).
2. M. Rashed, M. Ashraf, R. Mines, and P. J. Hazell, "Metallic microlattice materials: A current state of the art on manufacturing, mechanical properties and applications," *Materials & Design* **95**, 518–533 (2016).
3. U. Ramamurty and A. Paul, "Variability in mechanical properties of a metal foam," *Acta Materialia* **52**, 869–876 (2004).
4. H. Ramezani Dana, F. Barbe, L. Delbreilh, M. B. Azzouna, A. Guillet, and T. Breteau, "Polymer additive manufacturing of abs structure: Influence of printing direction on mechanical properties," *Journal of Manufacturing Processes* **44**, 288–298 (2019).
5. T. Frenzel, M. Kadic, and M. Wegener, "Three-dimensional mechanical metamaterials with a twist," *Science* **358**, 1072–1074 (2017).
6. J. Robbins, S. Owen, B. Clark, and T. Voth, "An efficient and scalable approach for generating topologically optimized cellular structures for additive manufacturing," *Additive Manufacturing* **12**, 296–304 (2016).
7. M. Meyers and P. Chen, *Biological Materials Science: Biological Materials, Bioinspired Materials, and Biomaterials* (Cambridge University Press, 2014).
8. R. Manno, W. Gao, and I. Benedetti, "Engineering the crack path in lattice cellular materials through bio-inspired micro-structural alterations," *Extreme Mechanics Letters* **26**, 8–17 (2019).
9. R. Manno, J. Nguejio, F. Barbe, and I. Benedetti, "An investigation into the fracture behaviour of honeycombs with density gradients," *AIP Conference Proceedings* **2309**, 020015 (2020), <https://aip.scitation.org/doi/pdf/10.1063/5.0033972>.
10. Y. Liu, L. St-Pierre, N. Fleck, V. Deshpande, and A. Srivastava, "High fracture toughness micro-architected materials," *Journal of the Mechanics and Physics of Solids* **143**, 104060 (2020).