



HAL
open science

Modeling of Energy Consumption for Wired Access Control Systems

M. Oussayran, J.-C. Prévotet, Jean-Yves Baudais, A. Maiga

► **To cite this version:**

M. Oussayran, J.-C. Prévotet, Jean-Yves Baudais, A. Maiga. Modeling of Energy Consumption for Wired Access Control Systems. 11th International Conference on Sensor Networks, Feb 2022, Online Streaming, France. pp.144-151, 10.5220/0010841300003118 . hal-03601833

HAL Id: hal-03601833

<https://hal.science/hal-03601833>

Submitted on 1 Jun 2023

HAL is a multi-disciplinary open access archive for the deposit and dissemination of scientific research documents, whether they are published or not. The documents may come from teaching and research institutions in France or abroad, or from public or private research centers.

L'archive ouverte pluridisciplinaire **HAL**, est destinée au dépôt et à la diffusion de documents scientifiques de niveau recherche, publiés ou non, émanant des établissements d'enseignement et de recherche français ou étrangers, des laboratoires publics ou privés.



Distributed under a Creative Commons Attribution - NonCommercial - NoDerivatives 4.0 International License

Modeling of Energy Consumption for Wired Access Control Systems

M. Oussayran^{1,2}, J.-C. Prévotet², J.-Y. Baudais² and A. Maiga¹

¹*FDI MATELEC, Cholet, France*

²*Univ. Rennes, INSA Rennes, CNRS, IETR-UMR 6164, F-35000 Rennes, France*

Keywords: Energy Consumption, Energy Model, Polling Protocol, Access Control System, Simulation Model, Wired Network, OMNeT++.

Abstract: Access control systems consist in managing access to buildings or any secure area where access is restricted. This paper presents a model that helps build access control systems along with its internal architecture. This system is modeled according to the behavior of the access control system. The OMNeT++ network simulator, in addition to the INET framework, is used to model the behavior of a studied system as well as its energy consumption. The paper aims to compare the energy consumption of the studied system and its simulated model with the same working scenario. The challenge is to create a simulation model with a set of configurable parameters, where users will be able to modify the value of the latter, based on the intended application. By this way, the simulated model calculates promptly the energy consumption.

1 INTRODUCTION

Based on the published results on the energy consumption in France (Ministère de la transition écologique, 2018), the two major consumers sectors are transport and buildings, followed by the industry sector. Regarding the building sector, for new buildings and major refurbishments, improvements in energy efficiency stemming from increasingly strict greenhouse gas emissions targets is leading to a focus on technological improvements (Escrivá-Escrivá et al., 2010; Moriarty and Honnery, 2019). The buildings sector is divided into two sub-sectors: Residential and tertiary sectors. In 2018, the residential sector in France hits 36 % of the total energy consumption, where 28 % refers to the energy consumption of the home automation. A home automation system monitors and controls home attributes such as lighting, climate, entertainment systems, and appliances. It may also include home security such as access control and alarm systems. Since 2019, the home automation market and especially the smart security was worth US\$ 21.8 billion, and expected to reach US\$ 64.4 billion by the year 2030 (Lee, 2021). Obviously, in case of increasing the demand on the home security systems, the total energy consumption of smart security systems will also increase dramatically over the years.

Simply defined, the term Access Control System (ACS) describes any technique used to control passage into or out of any area. The standard lock that uses a brass key may be thought of as a simple form

of an ACS. Over the years, ACSs have become progressively sophisticated, where different technologies have widely emerged to improve usability and security. Today, this term most often refers to a complex computer-based or card-based access control system. The electronic card access control system uses a special access card or tag, rather than a brass key, to permit access into the secured area (Domb, 2019). This system is one of the home automation applications, where its energy consumption might also be considered.

All these systems are ubiquitous in buildings and becoming more and more complex. They often require an associated management system that can also be very sophisticated and power consuming. In this context, it becomes very important to be able to optimize the performance of such systems while reducing their power consumption.

This paper highlights a simulation model of the ACS is implemented in the OMNeT++ network simulator with the addition of the INET 4.1.2 framework. Using this framework, we are able to integrate several functionalities such as the evaluation of the energy consumption of each electronic component embedded in the nodes. Also, it provides many MAC protocols such as CSMA (Sanabria-Russo et al., 2013), SCM-MAC (Ullah et al., 2013) etc., and makes it possible to evaluate the performance of a given network and the energy consumption in particular.

Over the decades, the energy consumption in networks has been studied widely (Bouguera et al., 2018).

Recently, many simulations models take into account the sending, and the receiving activities to estimate the energy consumption of the system. As well as, the computation of the hardware components is extensively considered. Depending on the message rate and the used duty-cycle, idle listening and message reception can be even more costly than sending messages (Lebreton and Murad, 2015) (Le et al., 2013). That why, we need to consider the communication as well the computation energy consumption, in order to estimate the global energy consumption of a system.

These models are developed based on the behaviour of real ACS modules and the energy models are obtained using reference measures of real ACS. After simulating the real scenario, we validate the ACS model of the system by comparing results to those obtained on a real ACS.

This paper is organized as follows. In Section 2, we give a brief description of the ACS that is developed in OMNeT++. Section 3 presents the developed ACS with its internal architecture including the modeling of energy consumption. Simulations are listed and discussed in Section 4. Finally, conclusions and perspectives are given in Section 5.

2 ACS DESCRIPTION

The architecture of the studied ACS as well as the communication between nodes are described in the following parts.

2.1 Architecture

Figure 1 illustrates the architecture of the studied ACS. This system consists of two interconnected nodes, the controller node (CN) and the reader node (RN). The RFID (Radio Frequency Identification) tag is an end user device used in the ACS. The communication between the RN and the CN is a wired connection, while the communication between the end user RFID tag and the RN is based on RFID technology. Once the RN detects a tag in the proximity of its antenna, it reads the tag's data which they are related to the identity of the end-user, then it sends a response to the CN. Afterwards, the latter node will be charged to accept or refuse the access request.

Nowadays, the ACS has become more and more sophisticated by integrating audio and video applications as well as the radio communication (Barsocchi et al., 2018). Such system has emerged several technology like RFID, Bluetooth, and so on, in order to provide the multi-solutions provided in one system. Figure 2 shows the internal architecture of both nodes, where

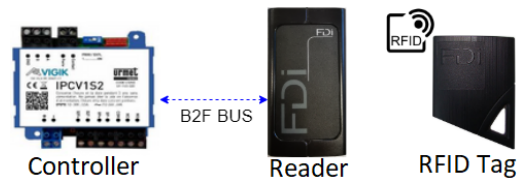


Figure 1: Access control system architecture.

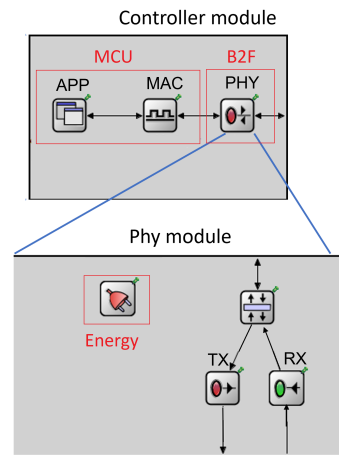


Figure 2: Model of ACS in OMNeT++.

only the main modules are illustrated. Other modules like RS485, memory, BLE are not considered in the scope of this paper, where those modules provide optional solutions. The only module considered in this paper are described as follow.

The Microcontroller. The Microcontroller (MCU) manages all the resources utilized for the system operation. This block is responsible for acquiring output data, processing data after acquisition, generating new data and communicate the new generated data to the B2F circuit.

The B2F Circuit. The B2F circuit has been invented by the same company who developed the studied ACS. This circuit couples power and data on a single wire, which is also considered as a communication bus. Through this bus, the reader and the controller nodes are connected where they communicate according to the specified communication protocol. Therefore, the circuit takes in charge the transmission and the reception of data packets. We should note that the electronic circuits, related to the B2F implemented in the CN and the RN, are completely different.

The RFID Module. The RFID system consists of a tiny radio transponder, a radio receiver and a transmitter. Through these units, an RFID module is able to detect a proximity tag near its antenna. The RFID

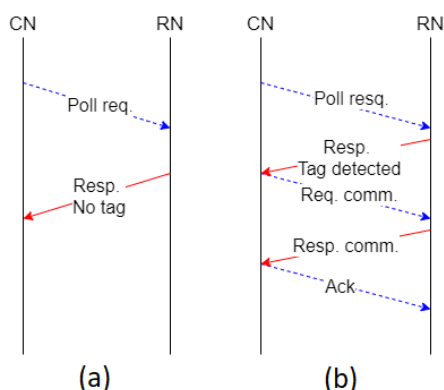


Figure 3: Polling access control method: (a) Without tag; (b) With tag.

module is implemented in the RN whereas the tag also implements a passive RFID system.

2.2 Communication between Nodes

The communication between nodes is based on the polling protocol, in which master and slave architectures must be selected. In the studied ACS, the CN is the master node, whereas the RN is the slave node. Using polling as a controlled access protocol for networks, the communication is managed by the master. The RN then communicates only when it receives a request from the CN.

The ACS presents a limitation with its connection capabilities where only one RN is able to be connected to the CN. In case, we connect more than one RN to the CN, the communication will not establish due to the frequent collision occurred on the bus. Figure 3 (a) and 3 (b) depicts, respectively, the communication sequences in absence and presence of the end user RFID tag close to the RN’s antenna.

The polling protocol is as follows. Initially, the CN requests, by sending a poll request, the RN to verify if there is any RFID tag close to the RN’s antenna. After that, the RN verifies through its RFID module and then responds to the CN. In case where the RN has not detected an RFID tag, the RN sends a packet accordingly. Hence, a new polling request will be sent after a predefined delay. This delay is one of the main parameters to be integrated in the ACS model. In the other case, where the reader detects a RFID tag, the RN responds to the CN, then the CN requests more information about the detected tag. At the end of the second case, the CN acknowledges the RN. This communication sequence refers to the actual scenario implemented in the studied ACS. The time spent to read an RFID is difficult to be estimated accurately, because this time depends on many factors, mainly the types of the tag, the antenna, etc. .

In the following, we introduce the system modeling, where the studied ACS has been modeled including the described protocols.

3 SYSTEM MODELING IN OMNeT++

Based on several surveys and research (Patel et al., 2018), (Kabir et al., 2014), OMNeT++ has been chosen to model the global system. This simulator is a widely used network simulator by both academic and research communities. The last ten years have shown that the OMNeT++ approach is viable, and several OMNeT++ based open-source simulation models and model frameworks have been published by various research groups and individuals (Birajdar and Solapure, 2017). One of the main motivations of using OMNeT++ is to model the communication channel and the associated polling protocol, by taking advantage of the features provided by the INET framework.

In the previous section, we mentioned the main components used in the ACS. To enable prediction of the energy consumption, we must take into account a detailed model of the components embedded in controller and reader nodes. The first challenge for the prediction of the energy consumption is to build a detailed energy model of the ACS. Our approach for such a model consists of three steps: (1) We measured the current consumption of each state of all the ACS internal modules while running a specific application; (2) The model derived from these measurements, for example, the power consumption of the modules states, is implemented in the ACS model; (3) The model must be calibrated and simulated according to the measured ACS.

3.1 Experimental Setup

An application has been developed and deployed on the ACS. During the program execution, we are able to measure the current draw of various combinations of modules states using a digital multimeter. Figure 4 depicts the methods used to measure the current of each internal module. The MCU module operates as a Finite State Machine (FSM), where each state executes a specific task. Also, the B2F circuit operates based on its own developed FSM. Those FSM will be discussed in details later. The multi-meter measures the current consumption at the input of each module. Furthermore, the time spent in each operating state is also estimated. Figure 5 illustrates the measured current of the RN’s B2F circuit, using the DMM7510 multi-meter. Based on the developed application, we determined the be-

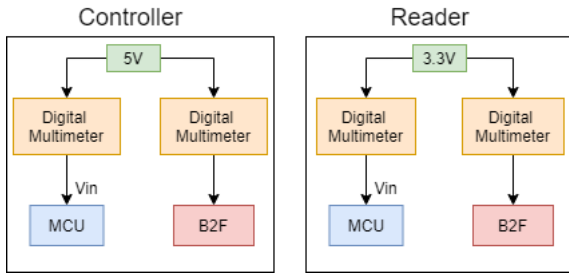


Figure 4: Current measurements of the ACS.

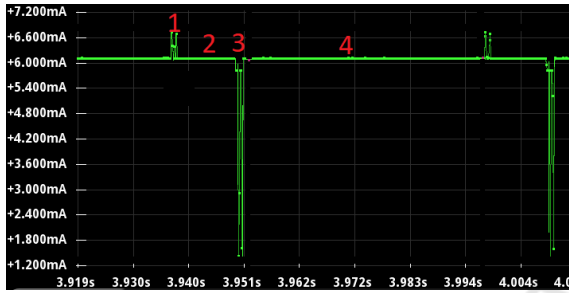


Figure 5: The measured current consumption of the RN's B2F circuit.

havior of the circuit. Four successive sequences are mentioned in the latter figure. Each sequence is defined by an operating state. We extracted the draw of current of each module's state and calculated its power consumption.

Finally, the estimated power consumption of each module forms our intended energy model for the ACS. As the ACS is mainly based on electronic components, potential results might deviate from the power consumption measurements. Table 1 compiles the values employed to characterize the nodes used in the ACS.

Table 1: Power consumption of the nodes' modules.

Devices	States	Power consumption
CN MCU	Idle	26 mW
	Transmit	32 mW
	Receive and Process	28 mW
RN MCU	Idle	28 mW
	Transmit	31 mW
	Receive and Process	31 mW
CN B2F	Idle	44 mW
	Transmit	10 mW
	Receive	49 mW
RN B2F	Idle	20 mW
	Transmit	5 mW
	Receive	22 mW

Table 2: Main characteristics of the communication cycle without tag.

Devices	States	Time
CN MCU	Idle	48 ms
	Generate and Transmit	0.9 ms
	Receive and Process	1.1 ms
CN B2F	Idle	48 ms
	Transmit	0.9 ms
	Receive	0.9 ms

Table 2 shows the time spent during the communication sequence without a tag. The MCUs embedded in both nodes are running with the same clock frequency. Moreover, the polling request and the response have both the same packet length (4 bytes). Therefore, the generation time and the transmission time required by the RN's MCU is identical to the CN's MCU. Finally, the idle time spent in the CN's MCU is also the same and similar to the idle time of the B2F circuits.

3.2 Nodes Modeling

Both CN and the RN contain many internal electronic components such as RFID, BLE, accelerometer, RS485, Wiegand, etc. . Considering the modeling of these components, it potentially increases the complexity of the implementation and the simulation time can be slower than expected. That is why, we decided to abstract their behavior while guaranteeing a high level of accuracy when dealing with power consumption. The implemented design is outlined in Figure 2. In this work, we look toward modeling the system as a network, where nodes communicate with respect to the polling protocol.

Both nodes of the ACS are modeled with their internal modules, where these modules are implemented according to their layers. For example, the MCUs are modeled according to two layers: Application and MAC, whereas the B2F circuit is modeled according to its PHY layer. The RFID device, embedded in the RN, is also modeled as an application layer. The B2F circuits are modeled as a transmitter and a receiver modules in both nodes. Figure 6 depicts the modules' layers implemented in the reader and the controller nodes. Each module takes into account only the power consumption of its internal layer. Therefore, the power consumption of the RN's MCU does not include the consumed power of the RN's RFID application layer. In this paper, we mainly focused on the energy consumption of the MCUs and B2F circuits.

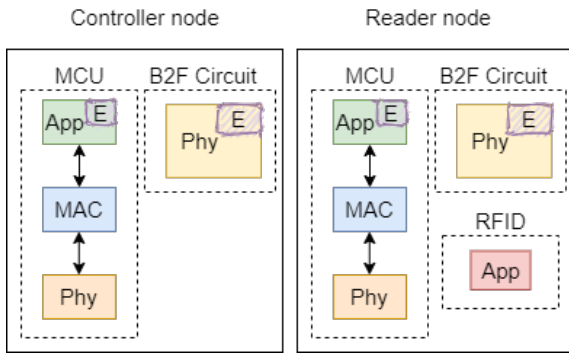


Figure 6: Layers modeling for ACS' nodes.

Table 3: Model parameters.

Parameters	Explanations
iaTime	Inter arrival time between two detected tags (s)
PacketLength	Different packet length to be assigned (Byte)
Bitrate	Communication speed (actual speed: 38400 kbps)
NbRN	Number of connected reader nodes
MCU_Freq	Operating frequency of the MCU (MHz)

MCU States. To identify the operating state of the MCU and precisely its application layer during the operation, we modeled the application layer as a FSM. This makes it possible to integrate the intended communication by adding several adjustable parameters. For example, a given parameter may be related to the time duration required to process a data packet. Other parameters are integrated, such as data rate, packet length etc., where most of them are adjustable to simulate different nodes' configurations. Table 3 lists some of the integrated parameters. Leveraging of these parameters, the energy consumption of the intended application could be promptly estimated.

Figure 7 illustrates the operating states of the MCU and its transition sequences for both nodes. Initially, the MCU is in the idle state. After a predefined delay, the controller's MCU switches from its idle state to the *generate* state in order to generate the appropriate polling packet. After the generation time which depends on the running frequency of the MCU, this latter transmits the generated packet then returns back to the *idle* state. The controller MCU receives and then processes the data packets sent by the reader. The described states' transition are related to the controller MCU, where this sequence is periodically performed. The following sequence refers to the operating states

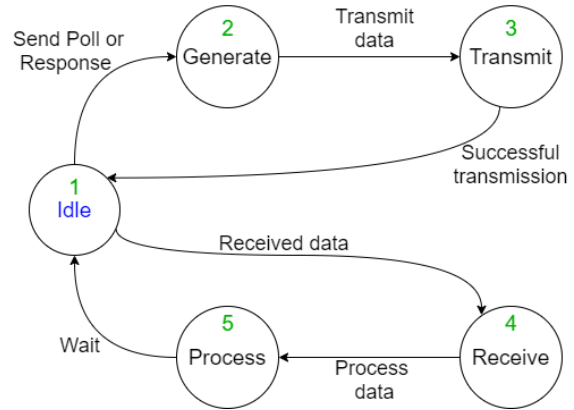


Figure 7: The operating states of the MCUs.

Table 4: States of B2F circuit.

Working state	Transition state
Idle	Idle to transmit
Transmit	Idle to receive
Receive	

occurred by the RN's MCU: 1, 4, 5, 1, 2, 3 (see Figure 7) and then, the MCU returns back to the idle state, waiting for a new request from the CN.

B2F States. Regarding the B2F circuit, the operating states are listed in Table 4, as well as the corresponding states' transition. The B2F circuit is responsible for transmitting and receiving data accordingly. All these states are implemented according to the application requirements. Based on these states, the energy consumption has been evaluated.

Note that the B2F circuit is made by off-the-shelf electronic components (e.g. resistances, transistors). This circuit has been developed to perform communication through two wires, where power and data are coupled on the same wire. This circuit has some limitation and drawback, where the maximum bitrate is 38400 bps and the power consumption during the idle state is higher than the transmitting state. This power consumption literally depends on the behavior of the circuits.

3.3 Energy Modeling

After modeling the nodes on OMMeT++, we take advantage of the INET framework to integrate the power consumption for each element embedded in the nodes. In this framework, several existing features were commonly used to model the energy of the ACS. The energy model computes the energy consumption of the modules based on the power that is specified during operating states.

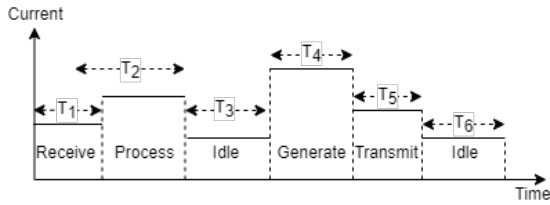


Figure 8: State-based energy consumption modeling.

Since most implemented layers are modeled as FSM, in which each operating state of a module is described, we are able to assign a power consumption value to each of these states. Each module has its own energy model, where the energy models of the MCUs are implemented in the MCU's application layer, and the energy models of the B2F circuits is modeled in the B2F circuit's PHY layer.

Typically, using simulators, the energy consumption is modeled by rather simple state-based approaches, where the time T_i of the module, i.e., the MCU or the B2F circuit, being in a state i is recorded and multiplied with the maximum current I_i in state i as well as the constant supply voltage U to calculate the energy consumption. We further have to sum up the energy consumed I_i by the duration T_i in each state. Equation 1 determines E , the overall consumed energy by a module.

$$E = \sum_{i=1}^N T_i \cdot I_i \cdot U \quad (1)$$

where N expresses the number of operating states for a module.

Figure 8 illustrates the working sequence of the MCU module used in both nodes. This module is in on-state all along the working sequence because it manages the different operating modes.

During the measurement phase of the ACS, the power consumption of the ACS tends to fluctuate in each operating state. As the power consumption in the operating states is not stable, the maximum measured power consumption is considered. In that way, the integrated power in the energy model refers to the maximum power measured with the ACS. The energy consumed to generate a packet, transmit it through its pins, receive a packet, etc. is tracked by the energy model. Models are able to calculate energy consumption during a predefined simulation time.

We faced some difficulties while measuring the power consumption during the communication cycle when RN's has a tag. In this case, The estimated time and power were complicated to be estimated correctly due to fast fluctuations. Thereby, the energy model during this communication cycle is not integrated adequately. Thus, the energy model of the CN's B2F circuit may deviate.

Table 5: Model parameters of the ACS application scenario.

Parameters	Values
iaTime	40 ms
PacketLength	polling request (4 Byte)
Bitrate	38400 kbps
NbRN	1
NbCN	1
Freq. MCU	64 MHz

Table 6: Simulation time of the modeled ACS.

Case	Time
Communication without tag	50 ms
Communication with tag	400 ms

4 SIMULATIONS AND DISCUSSIONS

In this section, we study the modeled system by simulating the same scenario as the actual ACS. The implemented scenario has been described in Section 2.2.

4.1 Network Simulation

To illustrate the simulation model of the ACS, the considered application has been developed to compare the energy consumption of the measured ACS against the simulated model. Table 5 lists some of the parameters that are calibrated in order to run the simulation similarly to the measured ACS.

Two communication sequences were integrated in the simulation model. We ran two different simulations, one is related to the communication sequence without a tag, the other refers to the communication sequence along with a tag detected. For each simulation, we were able to measure the energy consumption during one operating cycle, except for the CN's B2F circuit, which was really complex because of the current fluctuations. The operating cycle specify the time between requesting two successive polling request. Table 6 lists the operating cycle time. While the communication without tag, we estimated that the period between to successive request is approximately 50 ms. For the communication sequence with tag detected, the time depends on many parameters related to the end user tag and the component's tolerance embedded in the RN. Nonetheless, we estimated its period by attempting several tests using the ACS.

4.2 Simulation Results

In this section, we present the energy consumption measured as well as simulation using the developed energy model. Validating is important for reliable and accurate results. We discussed about the energy measured using the digital current measurements equipment and the estimated current integrated into the energy models.

Energy Consumption of the Simulated ACS. The following table 7 lists the energy consumption of the modules while the RN has not detected tags. The measured energy consumption is calculated by the equation 2, where the average current has been calculated with the ACS.

$$E = I_{avg} \cdot U \cdot T \quad (2)$$

Where I_{avg} is the average current measured, and T is the time of one operating cycle.

With both equations (1, 2), the voltage U is assigned with the adequate value. For example, the MCU of the CN is powered with 4.8 V, meanwhile the MCU module embedded in the RN is powered by 3.2 V. The difference between the measured and the simulated energy consumption depends mainly on the current consumption. The error between the simulated and the measured energy consumption is determined by the equation 3. This error presents the deviation between the average current measured and the maximum current integrated in the energy models.

$$AbsoluteError(\%) = \frac{E_S - E_M}{E_M} \times 100 \quad (3)$$

The measured value of the CN's MCU is approximately 1.3 mJ, whereas the simulated value is 1.4 mJ. The main difference in those value is due to current consumption that fluctuates during operating states, except in the idle state. An example of the current fluctuation is depicted in Figure9. A packet of response polling is transmitted to the CN B2F circuit.

The difference between the measured energy consumption and the simulated is less than 5 %. We modeled this system with the aim to validate the simulated ACS along with its energy model. It must be noted that it is not possible to simulate precisely the behavior of MCU and B2F circuit compared to their real-time operations, especially during detecting a tag. This absolute error value is regarded as acceptable given the lack of power measurement precision. We note that the power consumption integrated in the energy model is stable during the operating states. Meanwhile, in measured ACS, the power consumption oscillates in uncontrollable behavior.

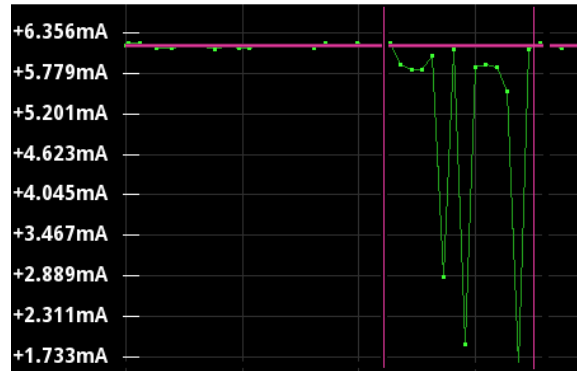


Figure 9: Current consumption of the transmitting state.

Table 7: Energy consumption without detected tag.

No tags	CN		RN	
	MCU	B2F	MCU	B2F
Measured (mJ)	1.3	7.5	1.4	1.02
Simulated (mJ)	1.4	7.8	1.36	1.03
Error (%)	1.3	3.8	2.8	0.9

Table 8: Energy consumption with detected tag.

Tag detected	CN		RN	
	MCU	B2F	MCU	B2F
Measured (mJ)	115	671k	90.9	64.3
Simulated (mJ)	107	587k	93.02	63.3
Error (%)	6.9	12.5	2.2	1.4

Table 8 lists the energy consumption of the modules while the RN detects a tag. When RN's detect a tag, the measurement was not sufficiently accurate. Therefore, a deviation of 12.5 % for the CN's B2F circuit is observed due to these limitations.

Synthesis. During the first communication sequence, when the RN has not detected a tag, the communication was implemented precisely due to its simplicity. The energy model calculates the energy consumption based on the current draw for each operating state. Some parameters related to the operating states has been reconfigured in order to analyze the feasibility of the energy model with different application scenarios. We find that the energy model behaves as expected. For example, when the parameter $iaTime$ is assigned a value of 80 ms, we noted that the energy consumption decreases.

Regarding the second communication sequence related to a tag detected by the RN, the difference between the measured and the simulated energy is due to the complexity of the communication sequence, especially for the CN's B2F circuit. We have modeled the B2F circuit as a PHY layer working with three operating states. As the measured and the simulated energy

consumption are very close, we validated the energy model implemented in OMNeT++. However, we can use this modeling for future studies with the aim to reduce the global energy consumption effectively.

5 CONCLUSION AND FUTURE WORK

In this paper, we presented the access control system used to limit the physical access to any secured and restricted area. The architecture and the internal modules of the ACS are presented in details. This work focuses on the energy consumption of the communication and the computation of hardware devices used in the studied systems. A simulation environment for ACS based on OMNeT++ and the INET framework is described as well. The purpose of this paper is to compare the energy consumption of the studied system and its simulated model with the same working scenario. After the implementation and the calibration phases, both energies were calculated to evaluate the system's performance, where we have validated the modeled system. For future works, we will study and simulate several configurations in order to achieve better energy efficiency. We will also take into account their impacts on the ACS quality of service (QoS). In addition, we argue that evaluating the energy performance with a single RN is not enough to assess the network. Therefore, we will evaluate different scenarios dealing with multiple interconnected systems.

REFERENCES

- Barsocchi, P., Calabrò, A., Ferro, E., Gennaro, C., Marchetti, E., and Vairo, C. (2018). Boosting a low-cost smart home environment with usage and access control rules. *Sensors*, 18(6).
- Birajdar, D. M. and Solapure, S. S. (2017). Leach: An energy efficient routing protocol using omnet++ for wireless sensor network. In *International Conference on Inventive Communication and Computational Technologies (ICICCT)*, pages 465–470.
- Bouguera, T., Diouris, J.-F., Chaillout, J.-J., and Andrieux, G. (2018). Energy consumption modeling for communicating sensors using LoRa technology. In *IEEE Conference on Antenna Measurements and Applications, CAMA*, page Paper No.1029, Västerås, Sweden.
- Domb, M. (2019). Smart Home Systems Based on Internet of Things. *Proceedings of the 10th INDIACom; 3rd International Conference on Computing for Sustainable Global Development, INDIACom*, pages 2073–2075.
- Escrivá-Escrivá, G., Segura-Heras, I., and Alcázar-Ortega, M. (2010). Application of an energy management and control system to assess the potential of different control strategies in hvac systems. *Energy and Buildings*, 42(11):2258–2267.
- Kabir, M., Islam, S., Hossain, M., and Hossain, S. (2014). Detail comparison of network simulators. *International Journal of Scientific and Engineering Research*, 5(10):203–218.
- Le, T.-N., Magno, M., Pegatoquet, A., Berder, O., Sentieys, O., and Popovici, E. (2013). Ultra Low Power Asynchronous MAC Protocol using Wake-Up Radio for Energy Neutral Wireless Sensor Networks. In *International Workshop on Energy-Neutral Sensing Systems*, pages 1–6, Rome, Italy.
- Lebreton, J.-M. and Murad, N. (2015). Implementation of a Wake-up Radio Cross-Layer Protocol in OMNeT++/MiXiM. In *OMNeT++ Community Summit*, pages 1–5, Zurich, Switzerland.
- Lee, G. (2021). Smart homes: Inside a new fast growing market, set to be worth \$75bn by 2025. *Naval Technology*.
- Ministère de la transition écologique (2018). French strategy for energy and climate. Executive summary.
- Moriarty, P. and Honnery, D. (2019). Energy efficiency or conservation for mitigating climate change? *Energies*, 12(18):1–17.
- Patel, R. L., Pathak, M. J., and Nayak, A. J. (2018). Survey on network simulators. *International Journal of Computer Applications*, 182(21):23–30.
- Sanabria-Russo, L., Faridi, A., Bellalta, B., Barcelo, J., and Oliver, M. (2013). Future evolution of csma protocols for the ieee 802.11 standard. In *International Conference on Communications*, pages 1274–1279, Budapest, Hungary.
- Ullah, A., Ahn, J.-S., and Kim, G. (2013). X-mac protocol with collision avoidance algorithm. In *International Conference on Ubiquitous and Future Networks*, pages 228–233, Da Nang, Vietnam.