



HAL
open science

Optimizing VNF reconfiguration for dynamic management of 5G network slicing

Hanane Biallach, Mustapha Bouhtou, Dritan Nace, Sofiane Imadali

► **To cite this version:**

Hanane Biallach, Mustapha Bouhtou, Dritan Nace, Sofiane Imadali. Optimizing VNF reconfiguration for dynamic management of 5G network slicing. 10th International Conference on Operations Research and Enterprise Systems (ICORES 2021), Feb 2021, Vienne (en ligne), Austria. . hal-03588314

HAL Id: hal-03588314

<https://hal.science/hal-03588314>

Submitted on 24 Feb 2022

HAL is a multi-disciplinary open access archive for the deposit and dissemination of scientific research documents, whether they are published or not. The documents may come from teaching and research institutions in France or abroad, or from public or private research centers.

L'archive ouverte pluridisciplinaire **HAL**, est destinée au dépôt et à la diffusion de documents scientifiques de niveau recherche, publiés ou non, émanant des établissements d'enseignement et de recherche français ou étrangers, des laboratoires publics ou privés.

Optimizing VNF reconfiguration for dynamic management of 5G network slicing

Hanane BIALLACH^{1,2}, Mustapha BOUHTOU¹, Dritan NACE² and Sofiane IMADALI¹

¹Orange Labs, Orange, 92320 Châtillon, France

²Heudiasyc Lab, Université de Technologie de Compiègne, 60200 Compiègne, France

{Hanane.biallach, Mustapha.bouhtou, Sofiane.imadali}@orange.com, dritan.nace@hds.utc.fr

Abstract: Nowadays, the world is experiencing an increase in applications and new technologies while numerous devices and networks will be interconnected and traffic demand will constantly rise. 5G network has arrived to meet this wide variety of needs by its architecture that actually takes into account this diversity. One of the visions of 5G is to have a multi-service network supporting a wide range of verticals with a varied set of performance and service requirements. Network slicing [1], which consists to slice a single physical network into multiple isolated logical networks has become the key to realize this vision. Each slice is composed of a set of visualized network functions (VNFs). This technology provides flexibility to face changes in the slice topology that can occur due to dynamic changes in the network: creation of new slice, need to increase or reduce resources for an existing slice, incident impacting the performance of a slice, etc.

As an emerging technology, network slicing brings several challenges in network management. The reconfiguration of 5G network slices problem is one of these challenges. Our objective is to schedule different slices and generate a reconfiguration plan to pass rapidly and efficiently from an initial state of our infrastructure where VNFs are not optimally allocated toward a new (optimal) state while minimizing the service interruption. This problem is known as a VNF reconfiguration problem.

The problem of VNF reconfiguration is NP-Hard and it may be formulated as a multi-dimension multiknapsack reconfiguration problem. The multidimensionality stands on the number of resources concerned (i.e., CPU and memory), while the knapsack aspect is captured by the servers, each of them representing a knapsack. From exact solution method point of view, we have formulated and studied the problem as a Mixed Integer Linear Programming. We notice that the problem remains difficult and appropriate solution methods handling integer linear complex formulations should be investigated. This is an important investigation direction. From heuristic perspective, we have started to investigate modeling the problem as a graph one. The origin and destination states are represented by a (migration) graph, where the vertices represent the servers and the arcs represent the migrations of the VNFs. If the resulting graph is acyclic, the solution is feasible in polynomial time [2]. In this case, we apply the topological order to have the reconfiguration plan that contains the list of migrations of VNFs following this order. If the graph is cyclic, one may apply the feedback arc set problem algorithm to render it acyclic, which consists in calculating all the arcs of minimum value that will have to be removed to obtain an acyclic graph. Then, we apply the topological order in order to obtain the migration order of the VNFs. Both exact and heuristic solutions are tested on synthetic datasets for validation.

Keywords: 5G, network slicing, VNF Reconfiguration, multi-dimension multiknapsack problem, graph theory, Integer Linear Programming.

REFERENCES

- [1] J. Ordonez-Lucena, P. Ameigeiras, D. Lopez, J. J. Ramos-Munoz, J. Lorca and J. Folgueira, "Network Slicing for 5G with SDN/NFV: Concepts, Architectures, and Challenges," in *IEEE Communications Magazine*, vol. 55, no. 5, pp. 80-87, May 2017, doi: 10.1109/MCOM.2017.1600935.
- [2] Sirdey, Renaud & Carlier, Jacques & Kerivin, Hervé & Nace, Dritan. (2007). On a resource-constrained scheduling problem with application to distributed systems reconfiguration. *European Journal of Operational Research*. 183. 546-563. 10.1016/j.ejor.2006.10.011.

Summary

- This research work was conducted as part of CIFRE thesis carried out within Orange Lab in collaboration with Heudiasyc Lab.
- This research treats the problem of VNF reconfiguration in 5G networks.
- Our objective is to optimize the reconfiguration of 5G network slices.
- Two approaches are proposed to deal with this problem.

CONTEXT

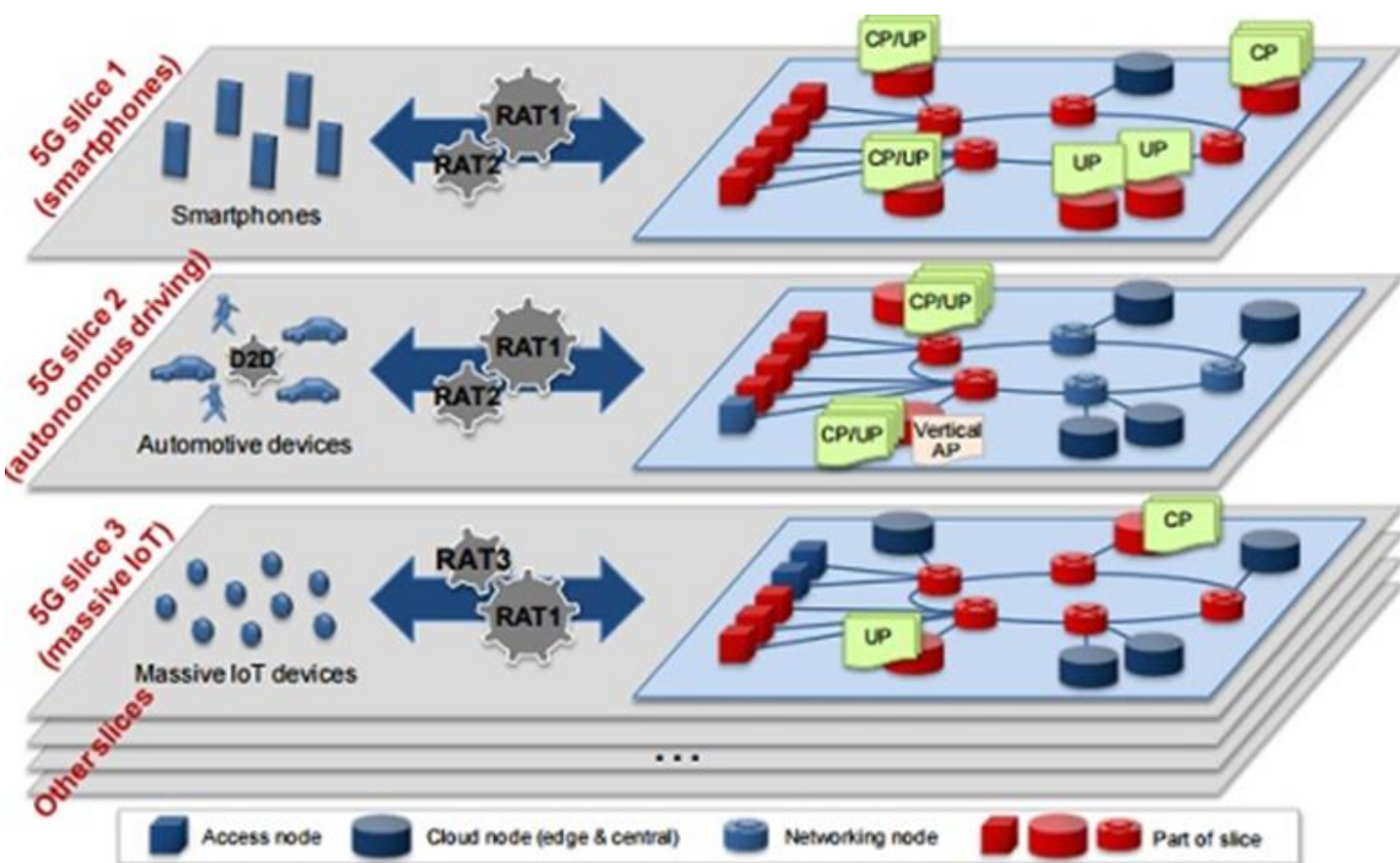


Fig. 1. Network slicing in 5G networks

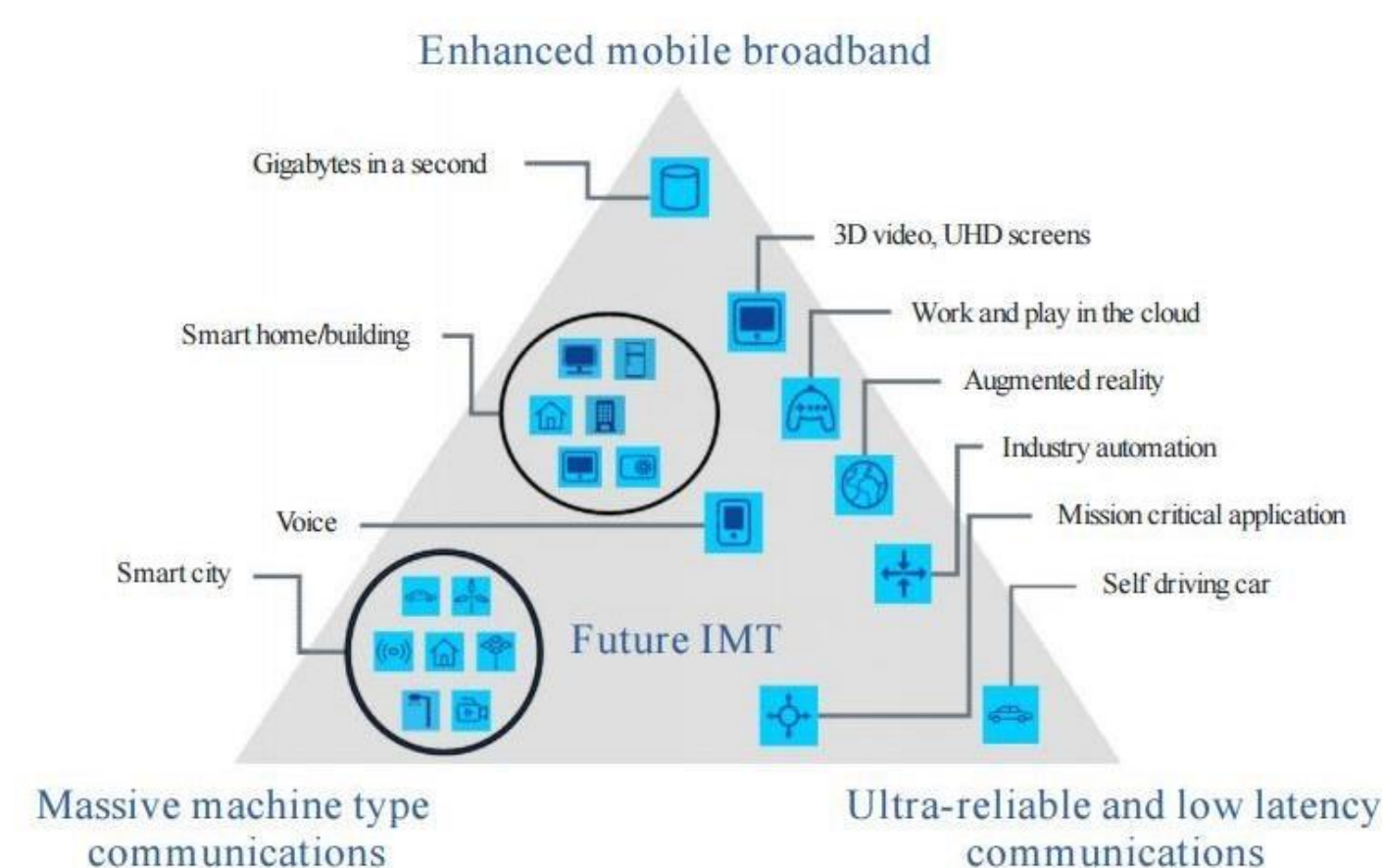
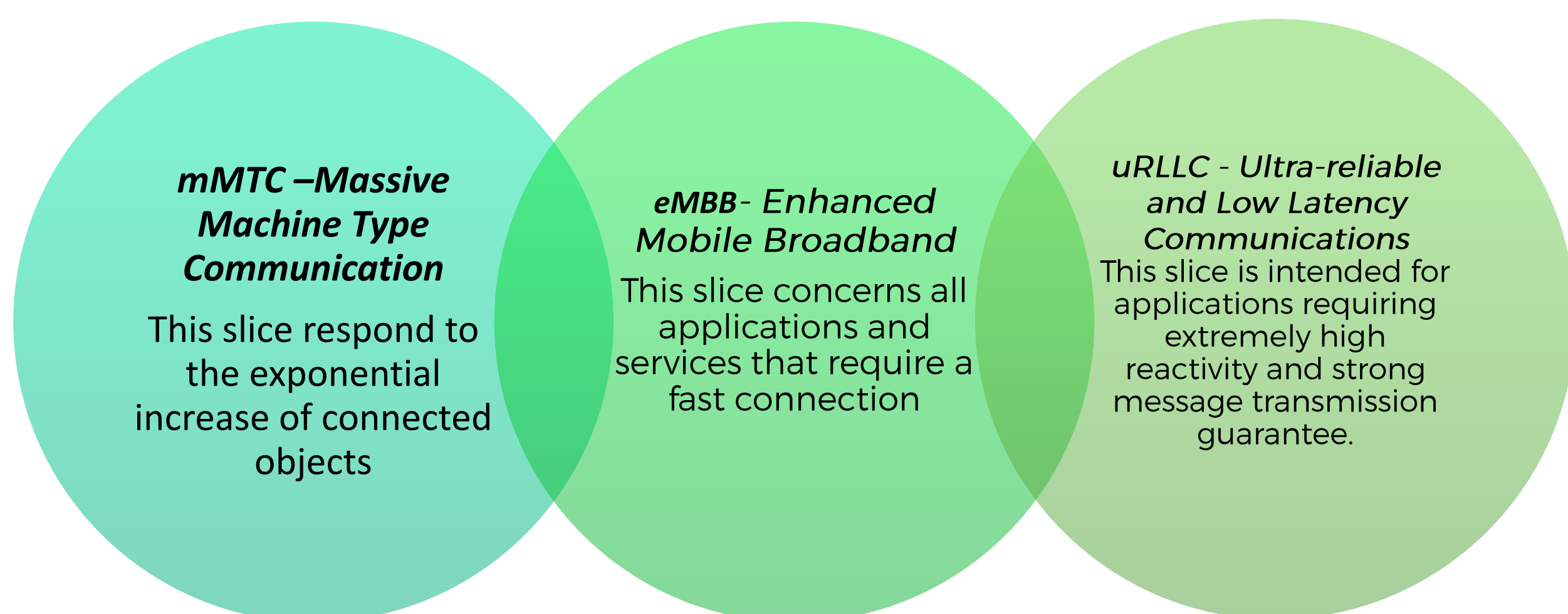


Fig. 2. Usage categories of 5G networks

- 5G architecture is essentially based on network slicing [1]. It consists to slice a single physical network into multiple isolated logical networks.
- Each slice is composed of a set of visualized network functions (VNFs)



PROBLEMATIC

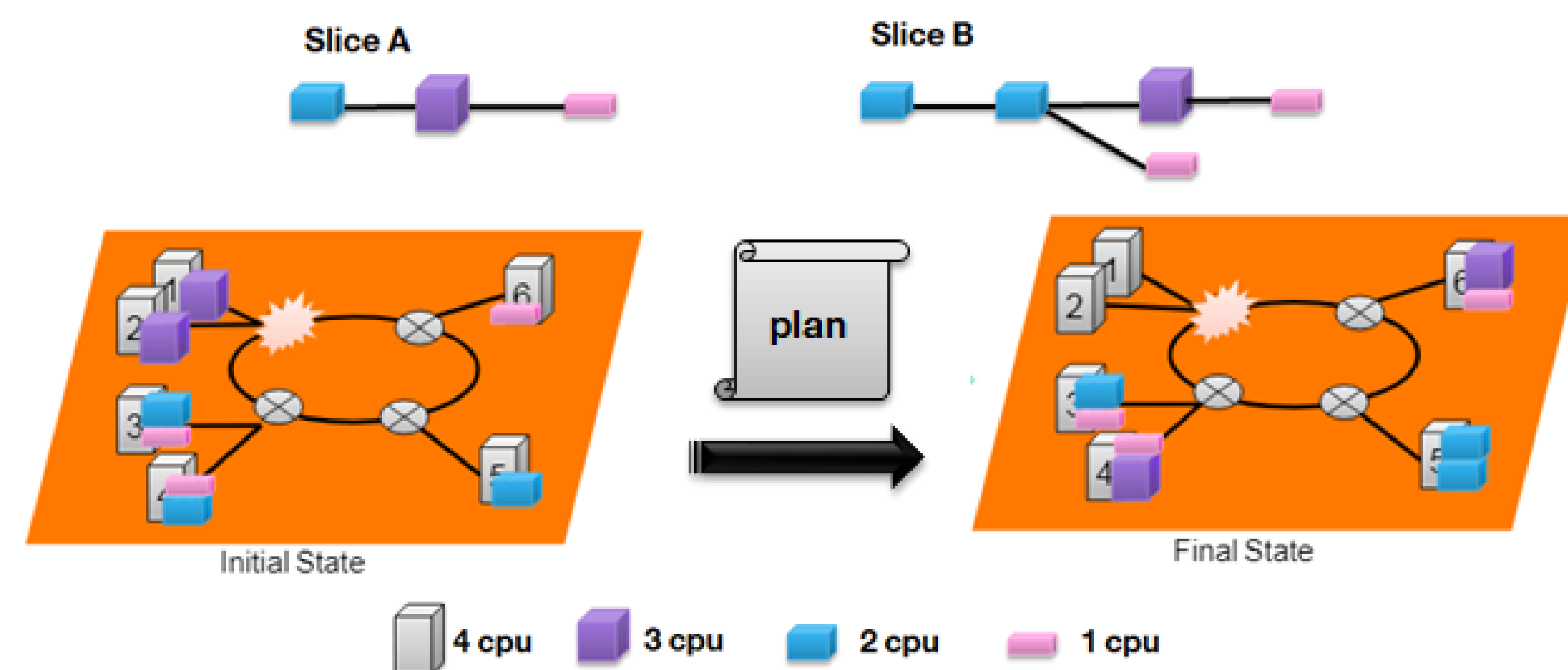
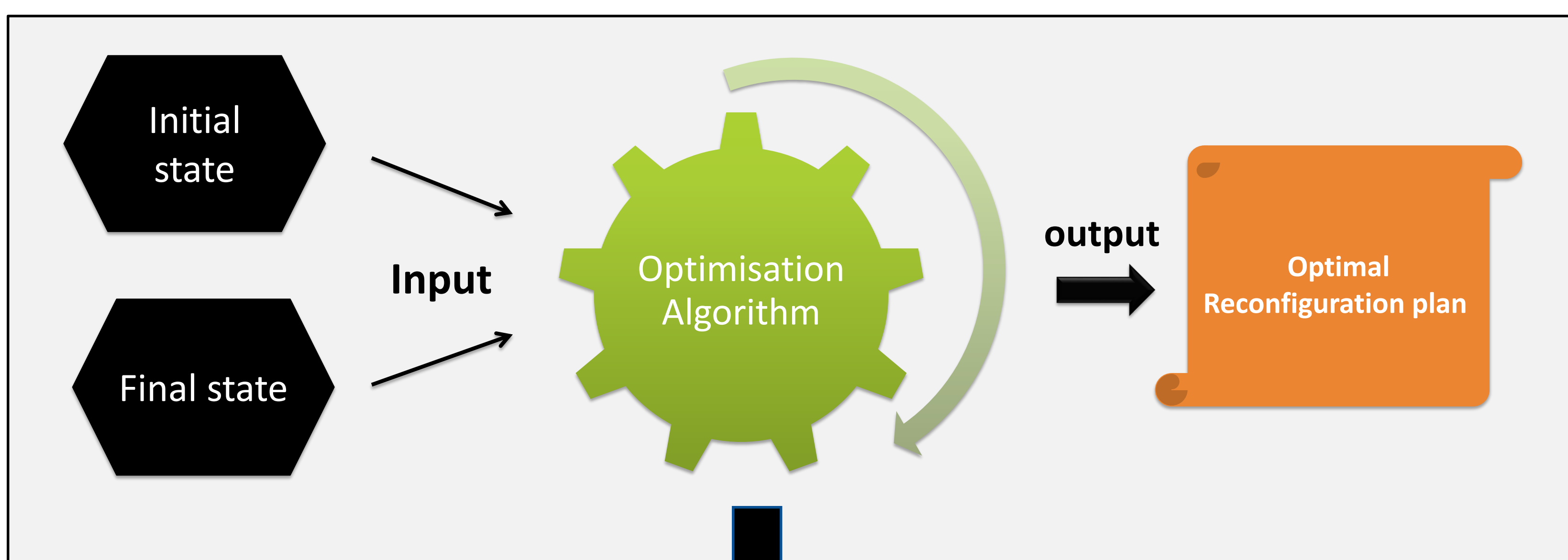


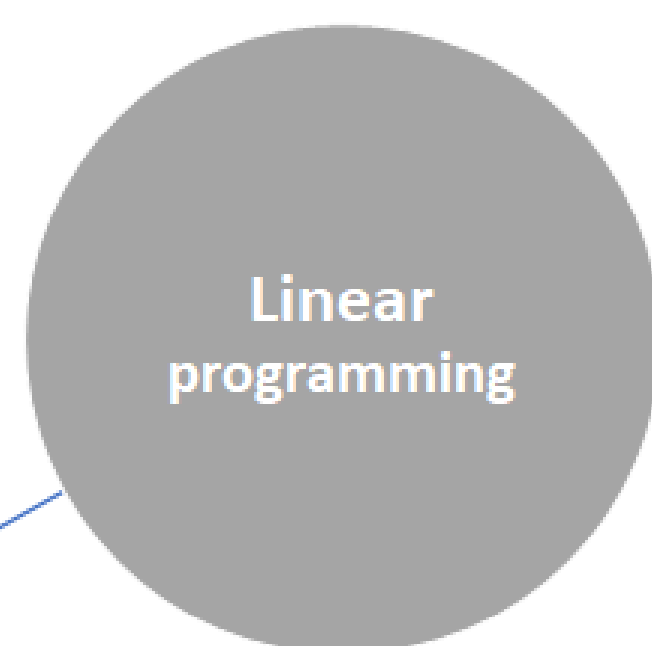
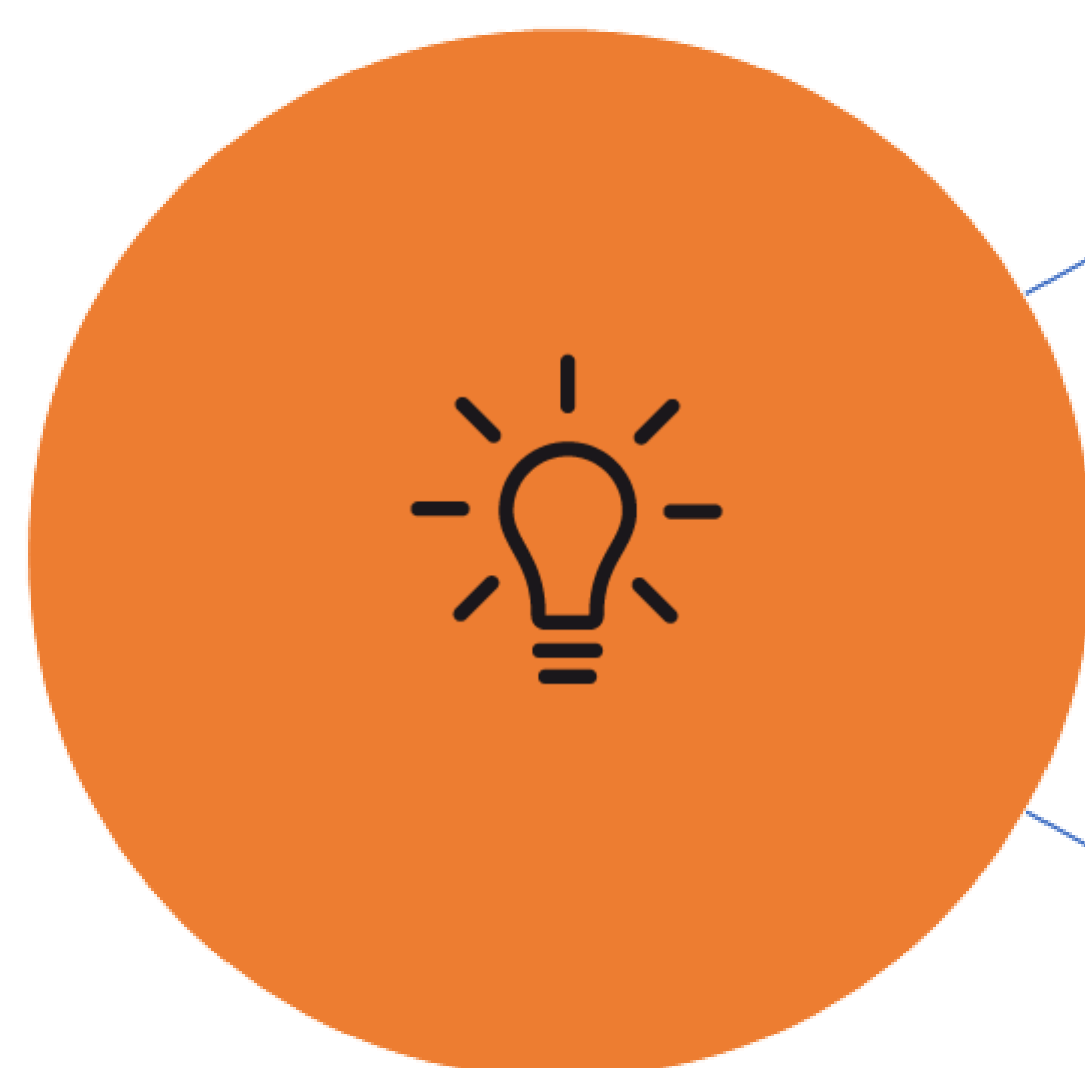
Fig. 3. VNF reconfiguration problem

- As an emerging technology, network slicing brings several challenges in network management. The reconfiguration of 5G network slices problem is one of this challenges.
- Our goal is to generate a reconfiguration plan which contains list of VNF migrations that should be applied to pass from an initial state of our infrastructure where VNFs are not optimally allocated toward a new (optimal) state while minimizing the service interruption.

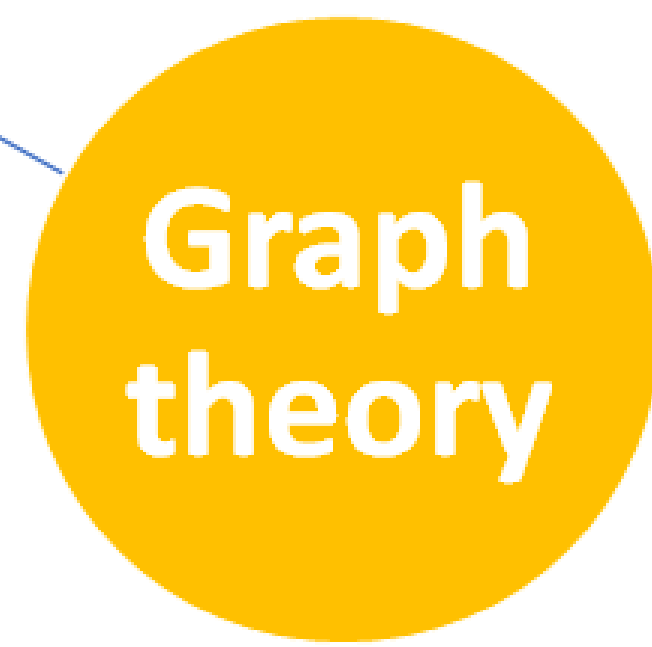
METHODOLOGY



Modeling & Optimisation problem in Linear programming and graph theory

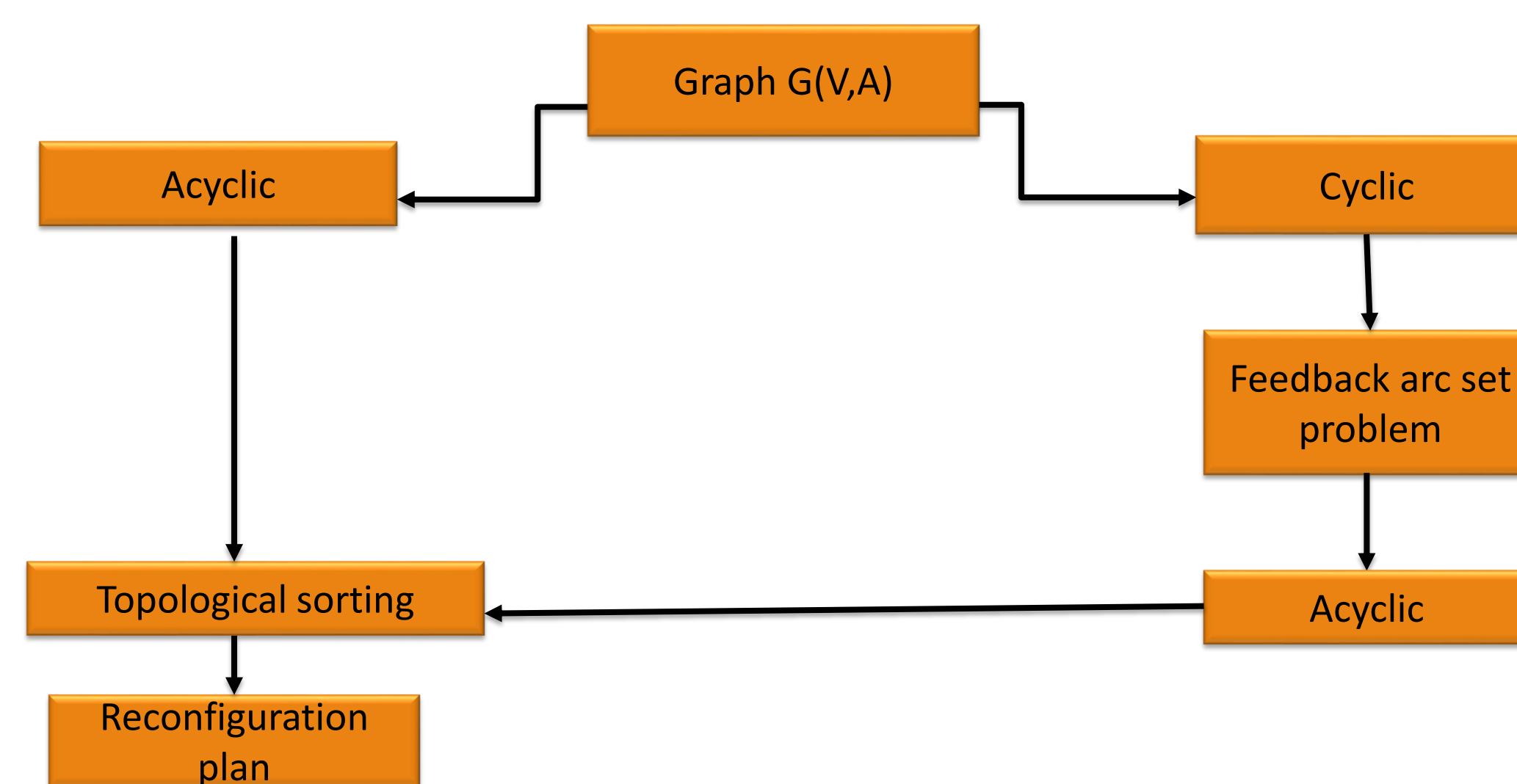


- The problem was formulated and studied as a Mixed Integer Linear Programming.
- We notice that the problem remains difficult and appropriate solution methods handling integer linear complex formulations should be investigated.



- We have started to investigate modelling the problem as a graph one. The origin and destination states are represented by a (migration) graph, where the vertices represent the servers and the arcs represent the migrations of the VNFs.

- The problem of VNF reconfiguration is NP-Hard and it may be formulated as a multi-dimension multiknapsack reconfiguration problem.
- The multidimensionality stands on the number of resources concerned (i.e., CPU and memory), while the knapsack aspect is captured by the servers, each of them representing a knapsack.
- In graph theory, if the graph is acyclic, the solution is feasible in polynomial time [2]. In this case we apply topological sorting.
- If the graph is cyclic, we apply the feedback arc set problem, which consists in calculating all the arcs of minimum value that will have to be removed to obtain an acyclic graph.



REFERENCES

- [1] J. Ordonez-Lucena, P. Ameigeiras, D. Lopez, J. J. Ramos-Munoz, J. Lorca and J. Folgueira, "Network Slicing for 5G with SDN/NFV: Concepts, Architectures, and Challenges," in IEEE Communications Magazine, vol. 55, no. 5, pp. 80-87, May 2017, doi: 10.1109/MCOM.2017.1600935.
- [2] Sirdey, Renaud & Carlier, Jacques & Kerivin, Hervé & Nace, Dritan. (2007). On a resource-constrained scheduling problem with application to distributed systems reconfiguration. European Journal of Operational Research. 183. 546-563. 10.1016/j.ejor.2006.10.011.