



HAL
open science

Ultra Low-Power $2.5\mu\text{W}$ CMOS Implementation of a Mixed Analog-Digital Wake-Up System Based on Frequency Analysis

Manon Fourniol, Valentin Gies, Valentin Barchasz, Edith Kussener, Remy Vauche, Herve Barthelemy, Herve Glotin

► **To cite this version:**

Manon Fourniol, Valentin Gies, Valentin Barchasz, Edith Kussener, Remy Vauche, et al.. Ultra Low-Power $2.5\mu\text{W}$ CMOS Implementation of a Mixed Analog-Digital Wake-Up System Based on Frequency Analysis. 2021 19th IEEE International New Circuits and Systems Conference (NEWCAS), Jun 2021, Toulon, France. 10.1109/NEWCAS50681.2021.9462746 . hal-03494754

HAL Id: hal-03494754

<https://hal.science/hal-03494754>

Submitted on 7 Mar 2022

HAL is a multi-disciplinary open access archive for the deposit and dissemination of scientific research documents, whether they are published or not. The documents may come from teaching and research institutions in France or abroad, or from public or private research centers.

L'archive ouverte pluridisciplinaire **HAL**, est destinée au dépôt et à la diffusion de documents scientifiques de niveau recherche, publiés ou non, émanant des établissements d'enseignement et de recherche français ou étrangers, des laboratoires publics ou privés.

Ultra Low-Power $2.5\mu W$ CMOS Implementation of a Mixed Analog-Digital Wake-Up System Based on Frequency Analysis

Manon Fourniol[†], Valentin Gies^{†‡}, Valentin Barchasz[‡], Edith Kussener[†],

Remy Vauché[†], Hervé Barthélemy[†] and Hervé Glotin^{§‡}

[†]Aix Marseille Université, Université de Toulon, CNRS, IM2NP, France

[§]Aix Marseille Université, Université de Toulon, CNRS, LIS, France

[‡]Université de Toulon, SMIoT, France

Abstract—An ultra low power acoustic wake-up detector based on high frequency signal analysis is presented in this paper. Focused on environmental or military Internet of Things (IoT) applications, it aims at detecting in real time the presence of specific animal species or drones for generating alerts and for triggering power consuming tasks such as high frequency signal recording only when needed.

This wake-up detector continuously monitors the presence of specific frequencies in an analog acoustic signal, with a good frequency selectivity and a high frequency range detection capability. It is based on an ultra-low power analog frequency to voltage converter using a current-mirror, analog timers and synchronous comparators.

Dedicated to long term stealth environmental or military surveys, a strong emphasis has been put on power consumption reduction in order to reduce batteries constraints. Its power consumption has been reduced to $2.5\mu W$, leading to an autonomy of more than 28 years with a single coin cell CR2032 battery.

I. INTRODUCTION

Autonomous embedded intelligent monitoring systems having an ultra low power consumption (less than $100\mu W$) are an important field of the industrial Internet of Thing (IoT). They can be operated over a long period of time without changing batteries, making them useful for constrained applications such as industrial or military monitoring in harsh environments where it is difficult or dangerous to send a human, or for environmental surveys such as in strict nature reserves where it is not advisable to disturb fauna.

In most of these applications, interesting events are rarely present [1], [2]. Thus, it is not relevant to perform a very accurate detection all over the time (such as detecting a given specie) as it would lead to consume a lot of power. Instead of that, it is better to split the detection in two parts as described in Fig. 1 : first one is to detect when signal has a good probability of being a true positive using a simple ultra low-power always-on detector, and to confirm this detection in a second step using more accurate embedded classification techniques (such as neural networks) having a higher power-consumption.

This paper focuses on the always-on ultra-low power first step of this detection, focused on a specific type of pattern: the presence of a signal having its base frequency in a given

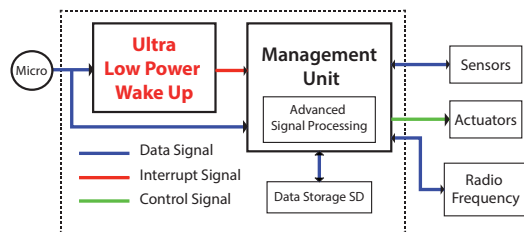


Fig. 1. General system presentation.

frequency interval. This pattern is relevant for applications such as environmental study on animals emitting echolocation [3], [4], or military application such as drone detection [5].

II. ALWAYS ON ULTRA LOW-POWER WAKE-UP DETECTOR

In this paper, a silicon implementation of the always-on ultra-low power detector is proposed in $0.35\mu m$ Austria Micro System (AMS) technology. It aims at optimizing drastically power consumption of the wake-up detector while allowing input signals detection in a large frequency range (up to $200kHz$) in ultra low power, making it versatile for many applications. It makes the most of mix-analog and digital circuits in order to improve power budget. It has been inspired by several previous implementations. [6] is energy efficient ($1.8\mu W$), but its input signal frequency is limited (less than $1kHz$). [7], [8] are also really energy efficient, but focused on detection of specific ultra-sonic frequencies ($41kHz$ and $57kHz$ respectively). [9], [10] have a wider input frequency range, but are based on digital or analog discrete circuits making their power consumption higher than previous implementations.

A. Architecture description

Fig. 2 presents the wake-up system description. Input signal U_S is pre-filtered by an hysteresis comparator for both removing noise and selecting signal having a minimal amplitude. Then, output signal U_{InCp} of the comparator triggers a monostable generating a signal U_M with a constant pulse time,

on each rising and falling edge of U_{InCp} . Thus, U_M average value is directly proportional to the U_S frequency.

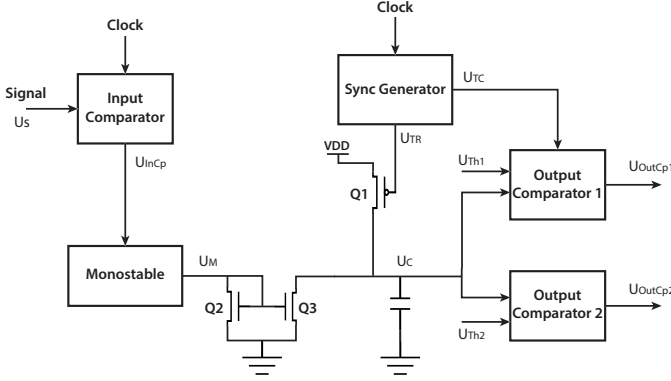


Fig. 2. General system schematic.

A frequency to voltage linear conversion is done by using a current mirror coupled to a capacitor C_1 . The current mirror is used as a charge time measurement unit : U_M pulses create a constant current in the left transistor of the current mirror. This current is mirrored into the right transistor, discharging C_1 by a constant current I_{C1} . Thus, U_{C1} decreases linearly during monostable pulses.

Equation 1 describes U_{C1} evolution, corresponding to waveforms shown in Fig. 3:

$$U_{C1} = V_{DD} - \int_0^t \frac{I_{C1}(t)}{C_1} dt \quad (1)$$

This leads a succession of linear discharges during monostable pulses, alternating with constant voltage phases as shown in Fig. 3. Considering that the number of small linear discharges between two successive resets is $N = \frac{F_S}{F_{TC}}$, where F_S is the input signal frequency, F_{TC} is the sampling frequency of the synchronization generator, and T_{PW} is the pulse duration, leads to equations 2.

$$U_{C1} = V_{DD} - \frac{I_0}{C_1} * N * T_{PW} \quad (2)$$

Consequently, U_{C1} is linear with input signal frequency F_S at the end of each signal's period. U_{C1} is reset to V_{DD} by U_{TR} , the output of the synchronization generator, after being processed by output comparators. The role of this pair of comparators is to determine whether the input frequency is within a specified interval or not. This is done by adding a AND gate at their outputs U_{OutCp1} and U_{OutCp2} . In order to save energy, dynamic comparators are used and triggered by U_{TC} , just before the reset of U_C by U_{TR} . The input comparator is also dynamic for the same reason.

In order to ensure strict timing for signals U_{TR} and U_{TC} , with a precise delay between them, the synchronization generator uses an external clock with frequency dividers.

B. Hardware Implementation

1) *Comparators*: Three comparators are used in this system: an input comparator and two output comparators. A basic

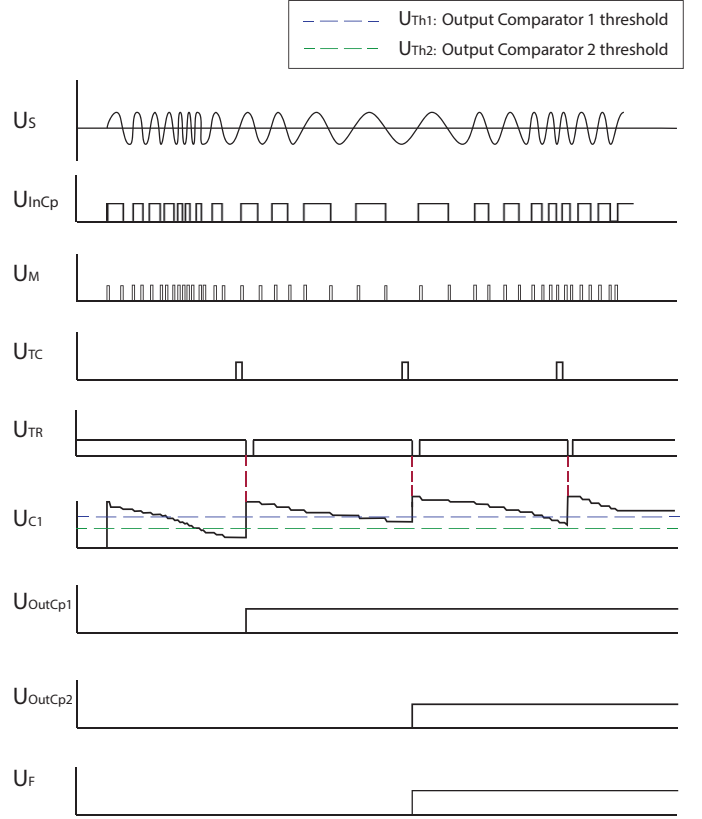


Fig. 3. wake-up system waveforms.

implementation would be to use analog comparators working continuously, but this would result in an excessive power consumption (around $4\mu W$ in the best case). Instead, we have chosen to use a customized latch dynamic comparator presented on Fig. 4. This standard dynamic comparator, triggered by an external clock, consumes approximately $2nW$ at the maximum required frequency ($200kHz$) for our applications.

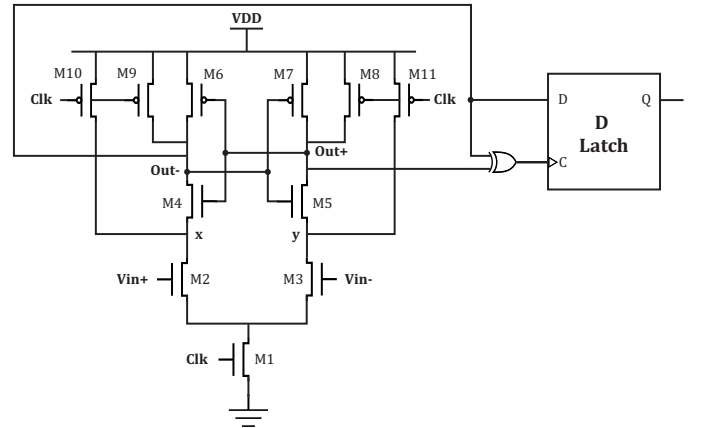


Fig. 4. Schematic diagram of latch dynamic comparator.

As we can see on the Fig.4, the comparator consists of a differential pair coupled with two inverters mounted head-to-tail. Comparator is reset by holding Clk signal to $0V$, turning

on $M10$ and $M11$ PMOS transistors, setting x and y in Fig.4 to V_{dd} . In this case, $Out-$ and $Out+$ are also set to V_{dd} . When clock is set to V_{dd} , a comparator active phase begins as x and y are no longer tied to V_{dd} . An imbalance on x and y voltages is caused by the differential pair inputs, leading to discharge $M4$ and $M5$ capacitances at a different micro-current. This imbalance is amplified by the two head to tail inverters, leading to a fast and efficient convergence of outputs $Out+$ and $Out-$ to their final values. In order to maintain output U_{InCp} state, we added to the basic structure of a dynamic comparator a D-latch. This one is triggered by a XOR gate generating a rising edge as soon as comparator outputs are stabilized. These comparators can be used in hysteresis mode, like a standard comparator, in order to avoid the system being disturbed by noise.

2) *Monostable*: The monostable signal is generated by a double inverter coupled with a RC circuit, as we can see on the Fig. 5. Output of the second inverter is similar to the input of U_{InCp} , with a fixed delay τ created by the first order low pass filter composed by R_1 and C_2 . Each time input U_{InCp} is changing (rising or falling edges), the output XOR gate generates a high state pulse having a length τ .

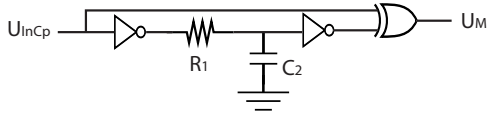


Fig. 5. Schematic diagram of the monostable implementation.

U_M is shown on the Fig. 3. This monostable is very efficient, as its average power consumption is around $100pA$. Its pulse width can be adjusted very precisely by an external capacitor, allowing user to customize the behaviour of the chip for different input signal frequencies.

3) *Current Mirror*: Current mirror is one of the central elements of this system. It is replacing the CTMU used in [9]. The current mirror is used as a constant controlled current source driven by the monostable output U_M to discharge the main capacitor C_1 . When activated, current value in the mirror, I_0 , is defined by the output voltage of the monostable. Monostable pulses voltage being positive, the current mirror has to be implemented using NMOS transistors. Consecutively, mirrored current will discharge C_1 capacitor as shown in Fig. 3.

4) *Capacitor and associated currents*: Being discharged linearly by successive phases, the C_1 capacitor is the heart of this wake-up detector. It is being discharged by the current mirror triggered by the monostable, and periodically reset to V_{DD} by the Q_1 PMOS transistor driven by the synchronization generator. The values of C_1 and I_0 have to be chosen carefully, following this equation:

$$\frac{I_0}{C_1} = \frac{V_{DD}}{\frac{F_S}{F_{TR}} \times 2 \times T_{PW}} \quad (3)$$

where the input frequency to be detected is approximately $F_S = 100kHz$, periodical reset frequency is $F_{TR} = 1kHz$,

duration of the pulse of the monostable is $T_{PW} = 14ns$, supply voltage $V_{DD} = 3V$ and U_{C_1} minimal value is 0. Thus, having chosen to limit I_0 to $5\mu A$ for power saving reasons, C_1 capacitor value must be equal to $4pF$.

5) *Synchronization generator*: The reset trigger and the comparator trigger are generated by the synchronization generator. It is based on a succession of JK flip-flops dividing the clock signal frequency by 2 at each step as we can see on Fig. 6. In order to make the flip-flop toggle on each clock signal, like a T flip-flop, JK flip-flops inputs are connected to V_{DD} . By adding both an AND gate and a NAND gate having as inputs the outputs or the complemented outputs of the flip-flops, we generate both the comparator trigger signal and the reset signal delayed by a fixed amount of time. The NAND gate is necessary for generating reset signal because it is driving a PMOS transistor. The NOT gate placed in output of one of the flip-flops induces a delay between U_{TR} and U_{TC} in order to ensure that output comparison is done before capacitor voltage is reset to V_{DD} . U_{TC} and U_{TR} pulses length can be adjusted by disconnecting the outputs of the first flip-flops as shown on Fig. 6. This does not affect U_{TC} frequency which is equal to:

$$F_{U_{TC}} = \frac{F_{clock}}{2^n} \approx 2kHz \quad (4)$$

where $F_{clock} = 2MHz$ is the clock frequency and $n = 10$ is the number of flip-flops.

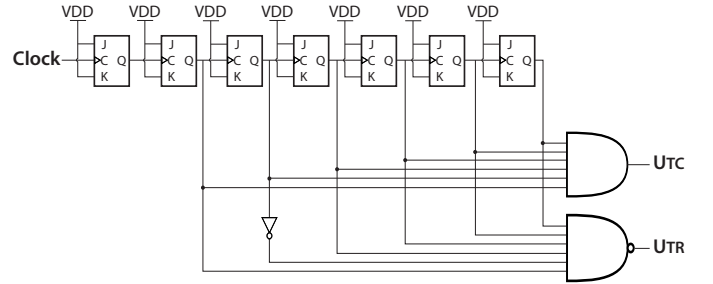


Fig. 6. Schematic diagram of the synchronization generator implementation.

An analog astable implementation for this module could have been chosen, but the digital one presents many advantages like a very low power consumption and timing precision. Moreover, a customization of the frequency divider can be integrated for changing the division factor using an external pin in order to change the reset frequency of capacitor C_1 .

III. RESULTS

Fig.7 shows the Cadence simulation of the wake-up system previously presented in Fig.3. U_C signal is decreasing gradually on each capacitor discharge, and periodically reset to V_{DD} .

Using this wake-up detector implementation for detecting a $100kHz$ signal (*i.e.* bat echolocation frequency), has an average power consumption of about $2.5\mu W$ with a power supply in $3V$, which is more than 12 times lower than

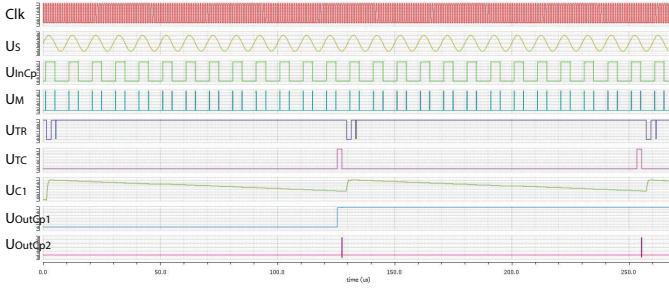


Fig. 7. Simulation results of the acoustic wake-up system.

the analog implementation proposed in [10]. Moreover, its power consumption is comparable to [6]–[8] but without the constraints of fixed frequencies or a limited frequency range, making it interesting for a more versatile use.

Power budget is split between very short power consuming phases and longer ones having a close to zero power consumption :

- C_1 reset phase : a current of $20\mu A$ is drawn during 2 clock pulses every 1024 clock pulses. This leads to an average current equal to $I_{RC1} = 40nA$.
- Input comparator active phase : current is drawn in dynamic comparators mainly during initialization before each comparison phase. Simulations have shown that a current equal to $800\mu A$ is drawn during $2ns$. Thus, input comparator power consumption is proportional to its triggering frequency. Input signal frequency to be detected is equal to $100kHz$. A triggering frequency of $500kHz$ is necessary in order to avoid aliasing of signal in a range between $100kHz$ and $250kHz$. At this frequency, average current drawn is equal to $800nA$.
- C_1 discharge phases : a current of $5\mu A$ is drawn during each monostable pulse having a duration of $14ns$. In the worst case for power consumption, when input signal frequency is $100kHz$, interval between two discharge phases is $5\mu s$ (there are 2 pulses for each period). Thus, average power consumption of this phase is $I_{DC1} = 14nA$.
- C_1 constant phases : most of the time, C_1 has a constant voltage. During this phase, average current drawn is $I_{idle} = 0.6nA$.

Finally, overall average consumption of the proposed ultra low power wake-up system is equal to $2.5\mu W$ under $3V$.

Coupled with a single coin cell CR2032 $700mWh$ battery, detector can keep running for about 28 years, without taking into account battery self-discharge.

IV. CONCLUSION AND FUTURE WORKS

Thus, the ultra low power wake-up detector presented in this paper consumes only $2.5\mu W$. More versatile or more energy aware than existing implementations, it can be used for applications in environmental or military surveys such as

stealth intelligent recording of acoustic signals emitted by animals or drones, or alarm systems such as smart dust presented in [11]. Other applications using non-acoustic high frequency signal analysis and detection could also be developed using this wake-up detector, such as pulsed light wake-up systems operated from a long distance to trigger simultaneously a whole environmental wireless sensor networks [11].

An application of this system will help to protect a strict nature reserve island (Ilot Bagaud, part of the *Parc National de Port Cros* in France) from rats intrusions [12], and to record, analyze and transmit alerts in real time.

ACKNOWLEDGMENT

The authors would like to thank the *Parc National de Port Cros* and SMIoT (*Scientific Microsystems for Internet of Things*) for their cooperation in the development and deployment of this system.

REFERENCES

- [1] B. Gestner, J. Tanner, and D. Anderson, “Glass break detector analog front-end using novel classifier circuit,” in *2007 IEEE International Symposium on Circuits and Systems*, May 2007, pp. 3586–3589.
- [2] R. A. Dobre, V. A. Ni, A. Ciobanu, C. Negrescu, and D. Stanomir, “Low computational method for siren detection,” in *2015 IEEE 21st International Symposium for Design and Technology in Electronic Packaging (SIITME)*, Oct 2015, pp. 291–295.
- [3] S. Marzetti, V. Gies, V. Barchasz, P. Best, S. Paris, H. Barthélemy, and H. Glotin, “Ultra-low power wake-up for long-term biodiversity monitoring,” in *2020 IEEE International Conference on Internet of Things and Intelligence System (IOTAIS)*, 2020.
- [4] J. Whitaker, *National Audubon Society Field Guide to North American Mammals*. National Audubon Society Field Guides, 1996.
- [5] S. R. Ganti and Y. Kim, “Implementation of detection and tracking mechanism for small uas,” in *2016 International Conference on Unmanned Aircraft Systems (ICUAS)*, June 2016, pp. 1254–1260.
- [6] H. Abdalla and T. K. Horiuchi, “An analog vlsi low-power envelope periodicity detector,” *IEEE Transactions on Circuits and Systems I: Regular Papers*, vol. 52, no. 9, pp. 1709–1720, 2005.
- [7] H. Fuketa, S. Ouchi, and T. Matsukawa, “A 0.3V 1- μW super-regenerative ultrasound wake-up receiver with power scalability,” *IEEE Transactions on Circuits and Systems II: Express Briefs*, vol. 64, no. 9, pp. 1027–1031, 2017.
- [8] A. S. Rekhı and A. Arbabian, “Ultrasonic wake-up with precharged transducers,” *IEEE Journal of Solid-State Circuits*, vol. 54, no. 5, pp. 1475–1486, 2019.
- [9] M. Fourniol, V. Gies, V. Barchasz, E. Kussener, H. Barthélemy, R. Vauché, and H. Glotin, “Low-power wake-up system based on frequency analysis for environmental internet of things,” in *IEEE International Conference on Mechatronic and Embedded Systems and Applications*, July 2018.
- [10] M. Fourniol, V. Gies, V. Barchasz, E. Kussener, H. Barthélemy, R. Vauche, and H. Glotin, “Analog ultra low-power acoustic wake-up system based on frequency detection,” in *IEEE International Conference on Internet of Things and Intelligence System (IoTals)*, November 2018.
- [11] M. Fourniol, V. Gies, V. Barchasz, E. Kussener, and H. Glotin, “Ultra low-power analog wake-up system for environmental iot networks and military smart dust,” in *IEEE International Conference on Internet of Things and Intelligence System (IoTals)*, November 2018.
- [12] H. Glotin, M. Poupard, F. Monia, J. Ricard, V. Roger, V. Barchasz, V. Gies, and D. Geoffroi, “Analyse temps-réel de masse acoustique pour le suivi d’espèce nuisible à port-cros,” Research Report, UTLN CNRS LSIS, Tech. Rep., Dec 2017.