



HAL
open science

The stimulation by ethylene of the UDP glucose-flavonoid 3-O-glucosyltransferase (UFGT) in grape tissues is independent from the MybA transcription factors

Arak Tira-Umphon, Jean-Paul Roustan, Christian Chervin

► To cite this version:

Arak Tira-Umphon, Jean-Paul Roustan, Christian Chervin. The stimulation by ethylene of the UDP glucose-flavonoid 3-O-glucosyltransferase (UFGT) in grape tissues is independent from the MybA transcription factors. *Vitis*, 2007, 4 (4), pp.210-211. hal-03481249

HAL Id: hal-03481249

<https://hal.science/hal-03481249>

Submitted on 15 Dec 2021

HAL is a multi-disciplinary open access archive for the deposit and dissemination of scientific research documents, whether they are published or not. The documents may come from teaching and research institutions in France or abroad, or from public or private research centers.

L'archive ouverte pluridisciplinaire **HAL**, est destinée au dépôt et à la diffusion de documents scientifiques de niveau recherche, publiés ou non, émanant des établissements d'enseignement et de recherche français ou étrangers, des laboratoires publics ou privés.

1 **The stimulation by ethylene of the UDP glucose-flavonoid 3-O-**
2 **glucosyltransferase (UFGT) in grape tissues is independent from the**
3 **MybA transcription factors**

4
5 Arak TIRA-UMPHON, Jean- Paul ROUSTAN, Christian CHERVIN

6
7 Correspondence to: Dr C. CHERVIN, UMR 990, Génomique et Biotechnologie des Fruits,
8 INP, ENSAT, INRA, Université de Toulouse, F-31320 Castanet Tolosan, France;
9 chervin@ensat.fr, phone/fax: +33 5 6219 3573

10
11 **Introduction:** Grapes are regarded as non-climacteric fruit (CHERVIN *et al.*, 2004 and
12 references herein), in which ethylene evolution is very low and for which the ripening
13 process seems to occur independently of ethylene production. However a recent study has
14 shown that grape berry tissues have a fully functional pathway for ethylene synthesis, that
15 this pathway is activated just before veraison when red berries start to accumulate
16 anthocyanins, and that ethylene perception is critical for some berry changes associated with
17 ripening, including anthocyanin accumulation (CHERVIN *et al.*, 2004). This last conclusion
18 was supported by the fact that anthocyanin accumulation in the berry skins was inhibited
19 when a specific inhibitor of ethylene receptors, 1-methylcyclopropene was applied to berries
20 just before veraison, at the same time as ethylene production was activated in the berry.

21 The control of anthocyanin accumulation during the ripening phase in red grape
22 berries is thought to be greatly dependent on UFGT activity (KOBAYASHI *et al.*, 2001;
23 YAKUSHIJI *et al.*, 2006). This enzyme plays a key role in stabilising the aglycone moiety of
24 the anthocyanins (PIFFAUT *et al.*, 1994) and may be essential for their transport to the
25 vacuole. We have shown previously that exogenous ethylene could induce grape *ufgt*

1 expression (EL-KEREAMY *et al.*, 2003), confirming observations about the commercial use
2 of ethylene precursor to boost grape skin colour.

3 The anthocyanin biosynthesis in model plants for the anthocyanin pathway such as
4 petunia and maize is controlled by Myc and Myb transcription factors, and indeed, one
5 transcription factor of this family, MybA1, was shown to be critical for the regulation of *ufgt*
6 expression (YAKUSHIJI *et al.*, 2006 and refs therein) and anthocyanin accumulation in grape
7 tissues. Walker *et al.* (2007) showed that two isoforms of this transcription factor, MybA1
8 and MybA2 are involved in anthocyanin accumulation in grapevine.

9 The question remains whether the ethylene signal is acting on grape *ufgt* expression
10 through the activation of *mybA* expression or via ethylene responsive transcription factors.

11

12 **Materials and methods:** Cabernet Sauvignon grapevines used for the ethylene
13 experiments are grafted on 110 Richter rootstocks and grown in Toulouse, South-West of
14 France, in a non-irrigated vineyard. Full bloom occurred around mid-June. The ethylene was
15 applied for 24 h at different times after full bloom, at an initial concentration of 40 $\mu\text{L.l}^{-1}$,
16 three biological replicates were then collected and stored at -80°C . All other sampling
17 processes and the RNA extractions were performed as described in EL-KEREAMY *et al.*
18 (2003). Suspensions of purple grape cells, cv. Gamay were grown as described previously
19 (TRANTAPHYLIDES *et al.*, 1993). Cells were vacuum-filtered onto Whatman n°1 filter paper
20 and set upon 5 ml fresh MS-based cell culture medium in small Petri dishes. Cells were then
21 sprayed with one ml of a sterile solution of 7 mM 2-chloroethylphosphonic acid (2-CEPA),
22 a precursor of ethylene, the controls were sprayed with sterile water. Incubation time was 6
23 hours before freezing samples for RNA extraction, performed as described above.

24 The qRT-PCR analyses were performed according to EL-SHARKAWY *et al.* (2005), with the
25 following modifications. Oligonucleotide sequences of *mybA* primers were *VvmybA1c*(F), 5'-
26 GCAAGCCTCAGGACAGAA -3' and *VvmybA1c*(R), 5'-

1 AAGCCCACATCAAATGGAAAA-3'. They would amplify both *VvmybA1* (AB097923)
2 and *VvmybA2* (AB097924) isoforms. Oligonucleotide sequences for the *ufgt* primers were
3 *Vvufgt*(F) 5'-GGCTTTTGTACACATTGCG-3' and *Vvufgt*(R) 5'-
4 AAAAAGGGCCTGCAAATCAA-3'. The *myb* et *ufgt* mRNA levels were expressed as
5 transcript accumulation indexes relative to a control gene *eflα*, as previously shown
6 (TERRIER *et al.*, 2005). The LSD value between treatments was calculated at the 5% level
7 using a one way ANOVA (SigmaStat, Systat Software Inc., San Jose, CA).

8 The ethylene cis-elements were estimated by homology search using PLACE
9 database, <http://www.dna.affrc.go.jp/PLACE/signalscan.html> or PlantCARE database,
10 <http://bioinformatics.psb.ugent.be/webtools/plantcare/html/>.

11
12 **Results and Discussion:** The application of gaseous ethylene significantly
13 stimulated the accumulation of *ufgt* mRNA in berries when applied 8 and 9 weeks after full
14 bloom (Fig. 1a). These observations made in Cabernet Sauvignon berry tissues were
15 confirmed in another cultivar, under different experimental conditions, the Gamay cell
16 suspension sprayed with the 2-CEPA, an ethylene precursor (Fig. 1c). These results
17 confirmed previous observations, either the enhancement of anthocyanin accumulation after
18 spraying 2-CEPA onto the grape clusters (EL-KEREMMY *et al.*, 2003), or the inhibition of
19 anthocyanin accumulation following a treatment of the clusters with the ethylene inhibitor,
20 1-methylcyclopropene (CHERVIN *et al.*, 2004).

21 However no significant difference was seen for the accumulation *mybA* mRNAs in
22 the same experimental conditions (Fig. 1b and 1c). This absence of responsiveness to an
23 ethylene signal was further confirmed by the analysis of the *VvmybA1* promoter, GenBank
24 AB242302 (the sequence of the *VvmybA2* promoter was not available when we wrote this
25 article), which showed three ethylene cis-elements (ethylene response elements, ERE) in the

1 -2 kb upstream region (Fig. 2a). The closest GCCGCC box, one of the most potent EREs
2 (FUJIMOTO *et al.*, 2000), locates around -2100 bp. The closest ATTTnAAA box, the other
3 common ERE, locates at -850 bp from *mybA1* start codon (Fig 2). In comparison there are
4 seven EREs in the *ufgt* promoter, GenBank AY955269, (Fig. 2). The GCCGCC sequence
5 was found at -160 bp from the *ufgt* start codon, a good place to be active (Dr Ohme-Takagi,
6 pers. comm. and analyses of ethylene responsive promoters, data not shown). Two other
7 ERE sequences, ATTTnAAA are reasonably close to the gene start codon, located between -
8 450 and -350 bp. In another ethylene responsive promoter, they were shown to be active
9 when placed at -500 bp (Itzhaki *et al.*, 1994). Here we used the sequence of the Shiraz *ufgt*
10 promoter, which has 97 to 99 % homology to the grapevine *ufgt* promoter sequences isolated
11 from the Kyoho, Italia, Ruby Oku, Muscat of Alexandria and Flame Muscat cultivars
12 (KOBAYASHI *et al.*, 2001), and 95 % to Cabernet Sauvignon (GenBank AY919624). The
13 alignment of various *ufgt* promoter sequences has already been showed (KOBAYASHI *et al.*,
14 2001).

15

16 So we conclude that the stimulation of *ufgt* expression by ethylene is independent
17 from *mybA* expression. But it does not preclude the importance of MybA in controlling the
18 *ufgt* expression. Indeed, Dr Goto-Yamamoto found that the MybA protein binds to a region
19 of the *ufgt* promoter around -428 to -303 bp from the start codon (pers. comm.) and recent
20 works confirm the role of MybA in stimulating anthocyanin accumulation (Yakushiji *et al.*,
21 2006; Walker *et al.*, 2007).

22 To our knowledge this is the first report addressing the responsiveness of *myb*
23 expression to an ethylene signal.

24

25 The authors wish to acknowledge the INRA-INP/ENSAT, and the Midi-Pyrénées
26 regional council for a partial funding of this collaborative work, the Domaine de Candie

- 1 (Régie Agricole de la Ville de Toulouse) for the grapes and the team of CRGS platform of
2 Genopole Toulouse where the qRT-PCR analyses were performed.
3
- 4 Chervin, C.; El-Kereamy, A.; Roustan, J.P.; Latche, A.; Lamon, J.; Bouzayen, M.; 2004:
5 Ethylene seems required for the ripening of grape, a non-climacteric fruit. *Plant Sci.*
6 **167**, 1301-1305.
- 7 El-Kereamy, A.; Chervin, C.; Roustan, J.P.; Cheynier, V.; Souquet, J.M.; Moutounet, M.;
8 Raynal, J.; Ford, C.M.; Latche, A.; Pech, J.C.; Bouzayen, M.; 2003: Exogenous ethylene
9 stimulates the long-term expression of genes related to anthocyanin biosynthesis in
10 grape berries. *Physiol. Plant.* **119**, 175-182.
- 11 El-Sharkawy, I.; Manríquez, D.; Flores, B.F.; Regad, F.; Bouzayen, M.; Latché A.; Pech,
12 J.P.; 2005: Functional characterization of a melon alcohol acyl-transferase gene family
13 involved in the biosynthesis of ester volatiles. Identification of the crucial role of a
14 threonine residue for enzyme activity. *Plant Mol. Biol.* **59**, 345-362.
- 15 Fujimoto, S.Y.; Ohta, M.; Usui, A.; Shinshi, H.; Ohme-Takagi, M.; 2000: Arabidopsis
16 ethylene-responsive element binding factors act as transcriptional activators or
17 repressors of GCC box-mediated gene expression. *Plant Cell* **12**, 393-404.
- 18 Kobayashi, S.; Ishimaru, M.; Ding, C.K.; Yakushiji, H.; Goto, N.; 2001: Comparison of
19 UDP-glucose:flavonoid 3-O-glucosyltransferase (*ufgt*) gene sequences between white
20 grapes (*Vitis vinifera*) and their sports with red skin. *Plant Sci.* **160**, 543-550.
- 21 Piffaut, B.; Kader, F.; Girardin, M.; Metche, M.; 1994: Comparative degradation pathways
22 of malvidin 3,5-diglucoside after enzymatic and thermal treatments. *Food Chem.* **50**,
23 115-120.
- 24 Terrier, N.; Glissant, D.; Grimplet, J.; Barrieu, F.; Abbal, P.; Couture, C.; Ageorges, A.;
25 Atanassova, R.; Léon, C.; Renaudin, J.P.; Dédaldéchamp, F.; Romieu, C.; Delrot, S.;

- 1 Hamdi, S.; 2005: Isogene specific oligo arrays reveal multifaceted changes in gene
2 expression during grape berry (*Vitis vinifera*, L.) development. *Planta* **222**, 832–847.
- 3 Triantaphylidès, C.; Nespoulous, L.; Chervin, C.; 1993: Ammonium requirement for radiation-
4 induced accumulation of polyamines in suspension cultured grape cells. *Physiol. Plant.*
5 **87**, 389-395.
- 6 Walker A.R.; Lee, E.; Bogs, J.; McDavid, D. A. J.; Thomas, M. R.; Robinson, S. P.; 2007.
7 White grapes arose through the mutation of two similar and adjacent regulatory genes.
8 *Plant J.* **49**, 772–785.
- 9 Yakushiji, H.; Kobayashi, S.; Goto-Yamamoto, N.; Tae Jeong, S.; Sueta, T.; Mitani, N.;
10 Azuma, A.; 2006: A skin color mutation of grapevine, from black-skinned Pinot Noir
11 to white-skinned Pinot Blanc, is caused by deletion of the functional *VvmybA1* allele.
12 *Biosci. Biotech. Biochem.* **70**, 1506-1508.

13

14 **Figure captions**

15 Figure 1: Effects of exogenous ethylene to a) the *ufgt* mRNA levels, to b) the *mybA1* mRNA
16 levels in grape berries, cv. Cabernet Sauvignon according to time after full bloom, and to c)
17 mRNAs of both genes in grape cell suspensions, cv. Gamay. The mRNA levels were
18 determined by qRT- PCR analyses and are expressed as the transcript accumulation index
19 relative to *efl- α* . Each bar represents the mean of three biological replicates, and LSD bars
20 were calculated at the 0.05 level for differences between the treatments (control or ethylene).

21

22 Figure 2: Locations of ethylene responsive elements (cis-acting) on the promoter of *mybA1*
23 (AB242302) and on the promoter of *ufgt* (AY955269) of *Vitis vinifera*. The nucleotide
24 numbering is relative to the start codon (0). Cis-elements were estimated by homology
25 search using PLACE and PlantCARE databases.

1

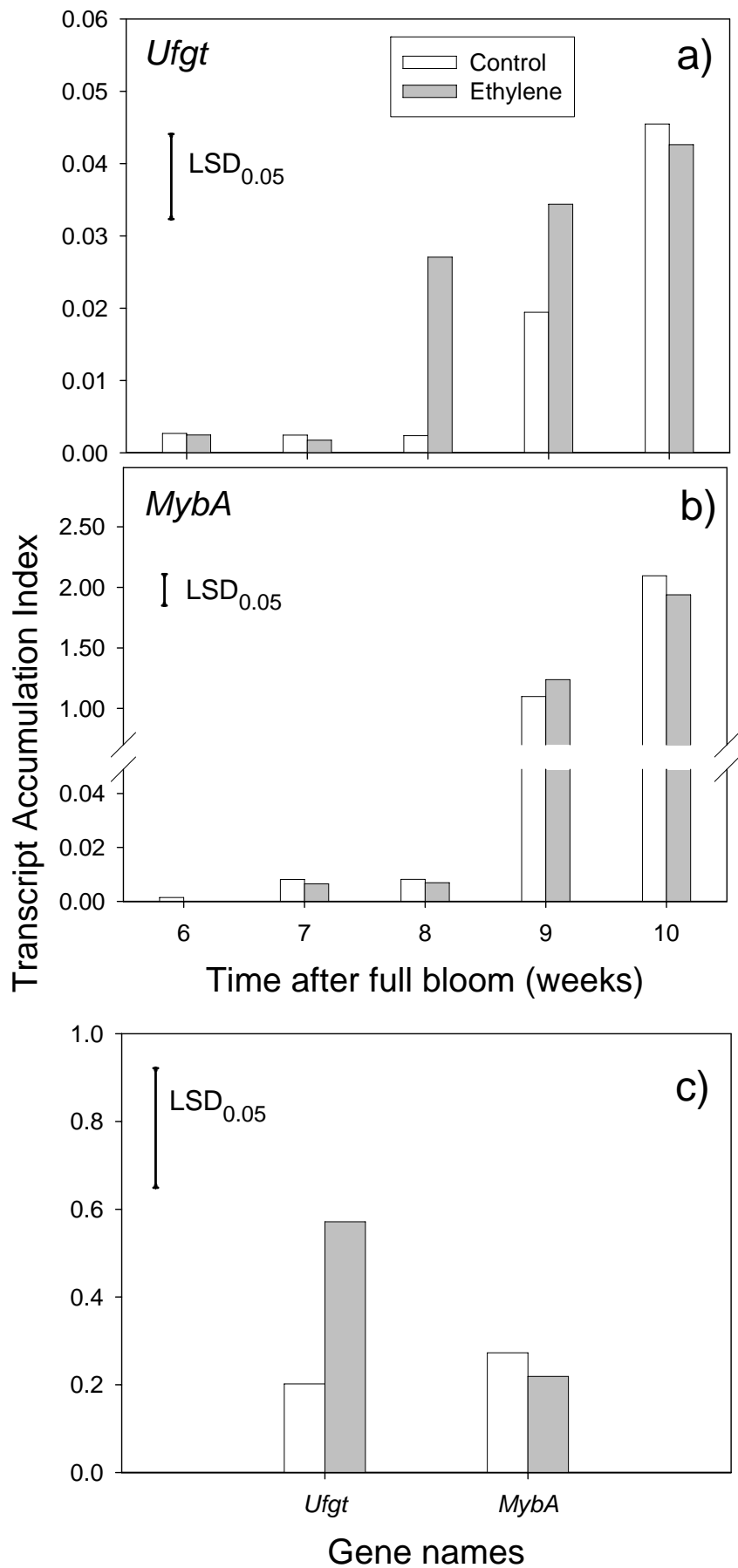


Figure 1

1

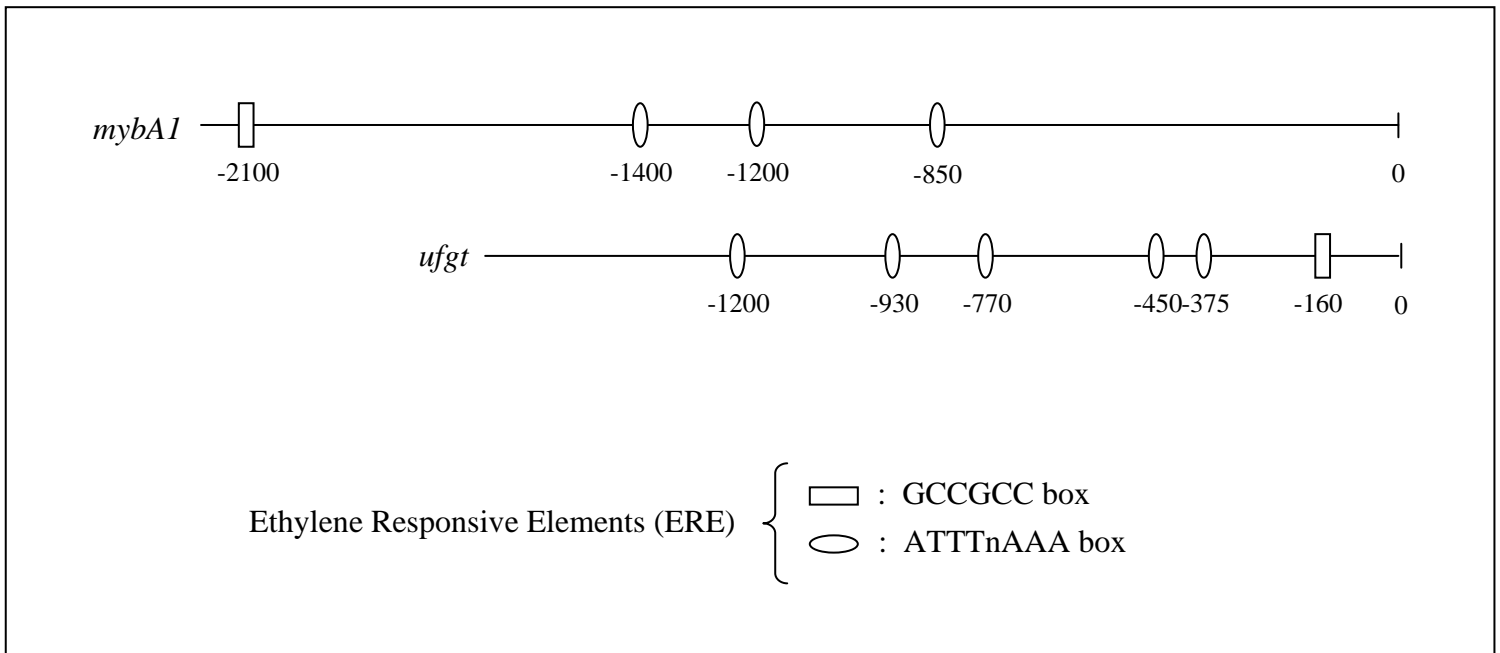


Figure 2