



**HAL**  
open science

**Man-specific lectins from plants, fungi, algae and cyanobacteria, as potential blockers for SARS-CoV, MERS-CoV and SARS-CoV-2 (COVID-19) coronaviruses: biomedical perspectives**

Annick Barre, Els J. M. van Damme, Mathias Simplicien, Sophie Le Poder, Bernard Klonjkowski, Hervé Benoist, David Peyrade, Pierre Rougé

► **To cite this version:**

Annick Barre, Els J. M. van Damme, Mathias Simplicien, Sophie Le Poder, Bernard Klonjkowski, et al.. Man-specific lectins from plants, fungi, algae and cyanobacteria, as potential blockers for SARS-CoV, MERS-CoV and SARS-CoV-2 (COVID-19) coronaviruses: biomedical perspectives. *Cells*, 2021, 10 (7), pp.1619. 10.3390/cells10071619 . hal-03443134

**HAL Id: hal-03443134**

**<https://hal.science/hal-03443134>**

Submitted on 24 Nov 2021

**HAL** is a multi-disciplinary open access archive for the deposit and dissemination of scientific research documents, whether they are published or not. The documents may come from teaching and research institutions in France or abroad, or from public or private research centers.

L'archive ouverte pluridisciplinaire **HAL**, est destinée au dépôt et à la diffusion de documents scientifiques de niveau recherche, publiés ou non, émanant des établissements d'enseignement et de recherche français ou étrangers, des laboratoires publics ou privés.



Distributed under a Creative Commons Attribution 4.0 International License

## Review

# Man-Specific Lectins from Plants, Fungi, Algae and Cyanobacteria, as Potential Blockers for SARS-CoV, MERS-CoV and SARS-CoV-2 (COVID-19) Coronaviruses: Biomedical Perspectives

Annick Barre <sup>1</sup>, Els J. M. Van Damme <sup>2</sup>, Mathias Simplicien <sup>1</sup>, Sophie Le Poder <sup>3</sup>, Bernard Klonjkowski <sup>3</sup>, Hervé Benoist <sup>1</sup>, David Peyrade <sup>4</sup> and Pierre Rouge <sup>1,\*</sup>

<sup>1</sup> UMR 152 PharmaDev, Institut de Recherche et Développement, Faculté de Pharmacie, Université Paul Sabatier, F-31062 Toulouse, France; annick.barre@univ-tlse3.fr (A.B.); simplicien.mathias@gmail.com (M.S.); herve.benoist@ird.fr (H.B.)

<sup>2</sup> Department of Biotechnology, Faculty of Bioscience Engineering, Ghent University, B-9000 Ghent, Belgium; elsjm.vandamme@ugent.be

<sup>3</sup> UMR Virologie, INRA, ANSES, Ecole Nationale Vétérinaire d'Alfort, F-94700 Maisons-Alfort, France; sophie.lepoder@vet-alfort.fr (S.L.P.); bklonjkowski@vet-alfort.fr (B.K.)

<sup>4</sup> UMR5129 Laboratoire des Technologies de la Microélectronique, Université Grenoble Alpes, CNRS, CEA-Leti Minatec, CEDEX, F-38054 Grenoble, France; david.peyrade@cea.fr

\* Correspondence: pierre.rouge.perso@gmail.com; Tel.: +33-069-552-0851



**Citation:** Barre, A.; Van Damme, E.J.M.; Simplicien, M.; Le Poder, S.; Klonjkowski, B.; Benoist, H.; Peyrade, D.; Rouge, P. Man-Specific Lectins from Plants, Fungi, Algae and Cyanobacteria, as Potential Blockers for SARS-CoV, MERS-CoV and SARS-CoV-2 (COVID-19)

Coronaviruses: Biomedical Perspectives. *Cells* **2021**, *10*, 1619. <https://doi.org/10.3390/cells10071619>

Academic Editor: Mats W. Johansson

Received: 28 April 2021

Accepted: 25 June 2021

Published: 28 June 2021

**Publisher's Note:** MDPI stays neutral with regard to jurisdictional claims in published maps and institutional affiliations.



**Copyright:** © 2021 by the authors. Licensee MDPI, Basel, Switzerland. This article is an open access article distributed under the terms and conditions of the Creative Commons Attribution (CC BY) license (<https://creativecommons.org/licenses/by/4.0/>).

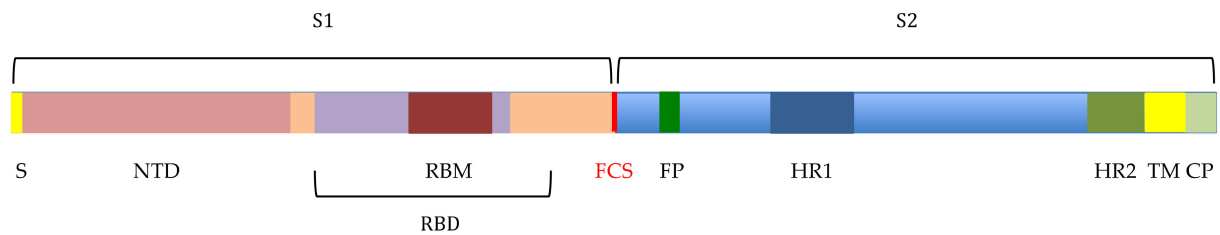
**Abstract:** Betacoronaviruses, responsible for the “Severe Acute Respiratory Syndrome” (SARS) and the “Middle East Respiratory Syndrome” (MERS), use the spikes protruding from the virion envelope to attach and subsequently infect the host cells. The coronavirus spike (S) proteins contain receptor binding domains (RBD), allowing the specific recognition of either the dipeptidyl peptidase CD23 (MERS-CoV) or the angiotensin-converting enzyme ACE2 (SARS-Cov, SARS-CoV-2) host cell receptors. The heavily glycosylated S protein includes both complex and high-mannose type *N*-glycans that are well exposed at the surface of the spikes. A detailed analysis of the carbohydrate-binding specificity of mannose-binding lectins from plants, algae, fungi, and bacteria, revealed that, depending on their origin, they preferentially recognize either complex type *N*-glycans, or high-mannose type *N*-glycans. Since both complex and high-mannose glycans substantially decorate the S proteins, mannose-specific lectins are potentially useful glycan probes for targeting the SARS-CoV, MERS-CoV, and SARS-CoV-2 virions. Mannose-binding legume lectins, like pea lectin, and monocot mannose-binding lectins, like snowdrop lectin or the algal lectin griffithsin, which specifically recognize complex *N*-glycans and high-mannose glycans, respectively, are particularly adapted for targeting coronaviruses. The biomedical prospects of targeting coronaviruses with mannose-specific lectins are wide-ranging including detection, immobilization, prevention, and control of coronavirus infection.

**Keywords:** plant lectins; mannose-specific lectins; plant lectins; algae lectins; fungi lectins; cyanobacteria lectins; pea lectin; artocarpin; snowdrop lectin; biomedical applications; coronaviruses; SARS-CoV; MERS-CoV; SARS-CoV-2; COVID-19

## 1. Introduction

The human Betacoronaviruses SARS-CoV, MERS-CoV, and SARS-CoV-2 responsible for the pandemic COVID 19 that still rages worldwide, share common structural characteristics that account for their transmissibility and infectivity among sensitive people. The virions are covered by spikes, which protrude outside of the lipid bilayer forming the envelope of coronaviruses [1–3]. Spikes are built up from the homotrimeric association of the S protein, an acidic class I viral fusion glycoprotein of ~130 kDa which consists of two S1 and S2 subunits [4–7]. The S protein is cleaved between the S1 and S2 subunits (S1/S2 cleavage site) and at an additional site S2' by host cell protease. The S1 subunit

contains a receptor-binding domain (RBD), which allows the virus to specifically recognize host cell receptors via a receptor-binding motif (RBM). The dipeptidyl peptidase 4 (DPP4), also known as CD26, was identified as the host receptor for MERS-CoV [8], whereas the angiotensin-converting enzyme 2 (ACE2) serves as the host receptor for SARS-CoV and SARS-CoV-2 [9]. The S2 subunit is subsequently involved in the fusion of both coronavirus and host cell membranes through the fusion peptide (FP) and the first heptad repeat HR1 [10], allowing the entry of the viral RNA genome into the host cell, which will further trigger the replication of the coronavirus at the detriment of the host cell (Figure 1).



**Figure 1.** Molecular organization of the SARS-CoV-2 S-glycoprotein, made up of two linked S1 and S2 subunits that are further separated at the furin cleavage site (FCS). The S1 subunit consists of a signal peptide (S), followed by the N-terminal domain (NTD) containing the receptor-binding domain (RBD) interacting with the ACE2 receptor via the RBM motif (RBM). The S2 subunit comprises the fusion peptide (FP), two heptad repeats HR1 and HR2, the transmembrane spanning domain (TM) that anchors the S protein into the virion membrane, and the cytoplasmic domain CP.

The S proteins forming the coronavirus spikes, consist of heavily *N*-glycosylated proteins containing a high number of potential *N*-glycosylation sites NXT/S, actually occupied by complex-type glycans, high-mannose type glycans, and a few hybrid type glycans: 22 sites for SARS-CoV and SARS-CoV-2, and 23 sites for MERS-CoV, respectively [11,12]. A very limited number of potential *O*-glycosylation sites occupied by GalNAc and T/Tn-antigens have been identified, especially in the SARS-CoV-2 S-glycoprotein [12]. According to their heavily *N*-glycosylated character, S-glycoproteins of coronaviruses represent particularly relevant targets for mannose-specific (Man-specific) lectins, a heterogeneous group of proteins involved in the recognition of Man, mannosides, and complex Man-containing glycans, already known for their potential anti-viral and anti-cancer properties [13–18].

The Man-specific lectins are widely distributed in all the living organisms since they have been isolated and characterized from viruses, bacteria, fungi, algae, plants, animals, and humans [19]. Even though they constitute a disparate group of proteins poorly related by their phylogenetic relationship and structural features, they share a very common property to specifically recognize Man and their derivatives, including mannosides, oligomannosides, and high-mannose glycans [20]. This specific recognition also concerns other Man-containing glycans like the complex *N*-glycans which are built around a trimannosyl Man $\alpha$ 1,3Man $\alpha$ 1,6Man core, readily recognized by Man-specific legume lectins [21,22]. As shown for plant lectins, the differences observed in the specific recognition of Man-containing glycans, essentially depend on both the axial position of the hydroxyl group at C2 in Man which is more or less strictly recognized by the carbohydrate-binding sites (CBSs) of lectins, and the type of glycosidic bonds  $\alpha$ 1,2,  $\alpha$ 1,3 or  $\alpha$ 1,6, and their internal or external position in the glycan chain, recognized by lectins [23]. According to these discrepancies and with respect to the diversity of *N*-glycans occurring at the surface of the coronavirus spikes, many distinct Man-specific lectins from plants, algae, fungi, and bacteria, could serve as relevant glycan probes for SARS-CoV, MERS-CoV, and SARS-CoV-2 viruses.

In addition to their Man-binding capacity, Man-specific lectins from plants, algae, fungi, and bacteria, have been largely studied with respect to their anti-viral properties against different types of enveloped viruses, including HIV-1 [24], papilloma virus [25], herpes virus, hepatitis C virus [26], and Ebola virus [27]. In this respect, the algal lectin grififithsin [28], the cyanobacteria lectins cyanovirin [29], actinohivin [30], and microvirin [31],

and various GNA-related lectins like NPA from daffodil (*Narcissus pseudonarcissus*) and ASA from garlic (*Allium sativum*) [32–34], have been particularly well documented. Most of these Man-specific lectins prevent the virus replication, at least under in vitro conditions, by interfering with the Man-containing *N*-glycans present on the cell surface of the virion envelope [35]. Depending on the virus, different Man-containing glycans serve as targets for the Man-specific lectins, e.g., gp120 for HIV-1 [36] or hemagglutinin for influenza virus [37]. Owing to their smaller size, compared to other plant Man-specific lectins, Man-specific lectins from cyanobacteria such as CVN-N (cyanovirin), MVN (microvirin), and AH (actinohivin) from actinobacteria, have been deeply investigated for their anti-viral properties. In addition, only very few publications report the ability of Man-specific lectins from higher plants to interact with glycans of the coronavirus envelope [13,38–40].

The present review aims at presenting a detailed analysis of the Man-specific lectins from plants, algae, fungi, and bacteria that could serve as relevant probes for targeting the *N*-glycans coating the spikes of SARS-CoV, MERS-CoV, and SARS-CoV-2 coronaviruses, with a focus on their potential biomedical applications in controlling coronavirus infections, notably the COVID-19 pandemic associated with SARS-CoV-2.

## 2. Man-Specific Lectins from Higher Plants, Fungi, Algae, and Cyanobacteria

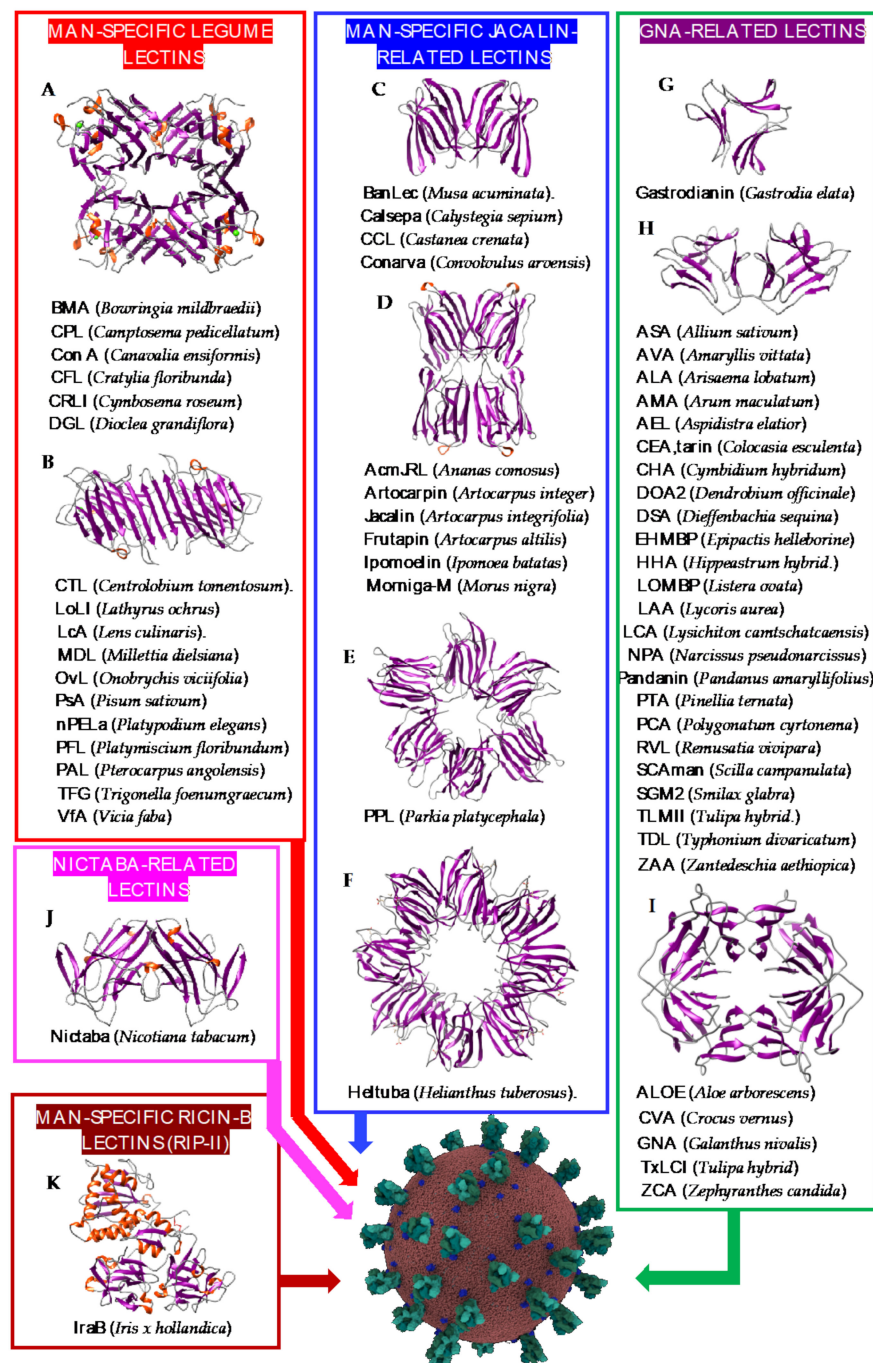
Mannose-specific lectins consist of a group of lectins that are widely distributed in all living organisms and, especially, in higher plants (monocot and dicot plants), in fungi (Ascomycota and Basidiomycota), in the different groups of algae (essentially red and green algae), and in bacteria, mainly the cyanobacteria (formerly known as blue algae). Although they belong to quite different structural scaffolds [20], all of these lectins contain CBSs that display a more or less strict specificity for mannose (Man) and Man-containing glycoproteins.

### 2.1. Man-Specific Lectins from Higher Plants

Seeds and tubers of higher plants often contain Man-specific lectins which have been associated with different structural scaffolds (Figure 2):

- The  $\beta$ -sandwich structure (jelly-roll structural scaffold), present in legume lectins. They are classically divided into two groups of single- and two-chain lectins, according to the cleavage (two-chain) or the absence of cleavage (single-chain) of their protomers. Single-chain, tetravalent lectins consist of the non-covalent association of four identical protomers ( $\alpha_4$ ), each containing a CBS that specifically recognizes Man and its derivatives. In two-chain lectins, a proteolytic cleavage of the protomeric chain results in the separation of a light ( $\alpha$ -chain) and a heavy ( $\beta$ -chain), which remain associated with non-covalent bonds. Two-chain, bivalent lectins ( $\alpha_2\beta_2$ ) result from the non-covalent association of two identical two-chain protomers, each possessing a CBS specific for Man and its derivatives.





**Figure 2.** Overview of lectins from representative genera/species belonging to higher plant families, with their associated structural scaffolds, able to recognize the spike proteins from coronaviruses (Coronavirus Credit: Maria Voigt/RCSB PDB). A-K correspond to lectins used as structural scaffolds ((A): Con A, (B): LcA, (C): BanLec, (D): Morniga-M, (E): PPL, (F): Heltuba, (G): Gastrodianin, (H): ASA, (I): GNA, (J): Nictaba, (K): IraB. References [41–98] correspond to the lectins presented in the figure.

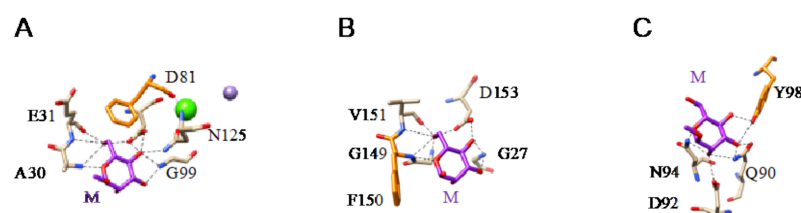
Both Con A (concanavalin A) from jack bean seeds (*Canavalia ensiformis*) (Figure 2A) and LcA (lentil lectin) from *Lens culinaris* (Figure 2B) are classical examples of single-chain and two-chain lectins, respectively.

- The  $\beta$ -prism I structure ( $\beta$ -barrel structural scaffold), present in the jacalin-related lectin group. Their protomers are organized in three bundles of four antiparallel  $\beta$ -strands arranged into a  $\beta$ -prism structure along a longitudinal axis. Depending on

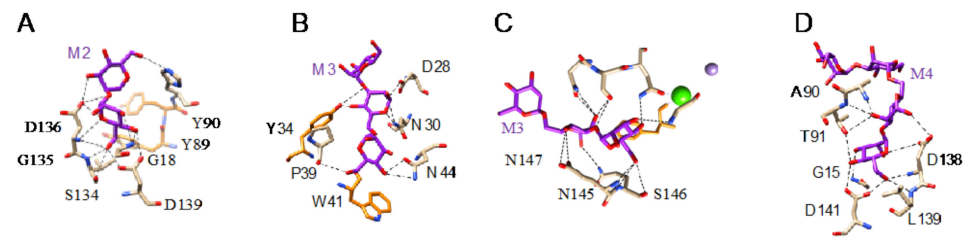
the number of identical protomers associated by non-covalent bonds, Man-specific jacalin-related lectins consist of bivalent (two CBSs) lectins, e.g., Calsepa from hedge bindweed *Calystegia sepium* [61] (Figure 2C); tetravalent (four CBSs) lectins, e.g., Artocarpin from black mulberry *Artocarpus integer* [65] (Figure 2D); hexavalent (six CBSs) lectins, e.g., PPL from the African locust bean *Parkia platycephala* [70] (Figure 2E); or octavalent (eight CBSs) lectins, e.g., Heltuba from the Jerusalem artichoke *Helianthus tuberosus* [71] (Figure 2F).

- The  $\beta$ -prism II structure ( $\beta$ -trefoil structural scaffold), present in the GNA-related lectin group. The protomer consists of three bundles of four antiparallel  $\beta$ -strands arranged into a flattened  $\beta$ -trefoil structure around a central pseudoaxis. A CBS occurs in each of the bundles of  $\beta$ -strands. Except for gastrodianin, which is composed of a single protomer (Figure 2G), lectins belonging to the GNA-related group result from the non-covalent association of two protomers, e.g., the hexavalent NPA from daffodil (*Narcissus pseudonarcissus*) bulbs [80] (Figure 2H) or four protomers, e.g., the dodecavalent GNA from snowdrop (*Galanthus nivalis*) bulbs [94] (Figure 2I).
- Two covalently linked  $\beta$ -trefoil-domains form the B-chain of the lectin from *Iris hollandica*, a type II ribosome-inactivating protein (RIP-II) (Figure 2J). Each domain contains a CBS which can accommodate Man and Gal/GalNAc. This Man-binding property confers an unusual Man-specificity to the Iris RIP-II, which readily differs from the Gal/GalNAc-specificity of other RIP-IIs [97].
- Nictaba, the jasmonic acid-induced tobacco (*Nicotiana tabacum*) lectin displays specificity for chitin and GlcNAc oligomers but it can also bind to high mannose glycans with a lower affinity, as shown from glycan array experiments. The molecular structure of Nictaba is still unknown but modeling experiments suggest a  $\beta$ -sandwich structure for this tobacco lectin [98] (Figure 2K).

All of these lectins readily interact with Man and oligomannosides but, more interestingly, they display a higher affinity for more complex Man-containing glycan chains that are usually associated with cell surfaces. In this respect, different Man-specific lectins have been co-crystallized in the presence of Man (Figure 3A–C), di-mannoside (Figure 4A), tri-mannoside core Man $\alpha$ 1,3Man $\alpha$ 1,6Man (Figure 4B,C), and tetra-mannoside (Figure 4D) occurring in *N*-glycans of the complex and high-mannose type.

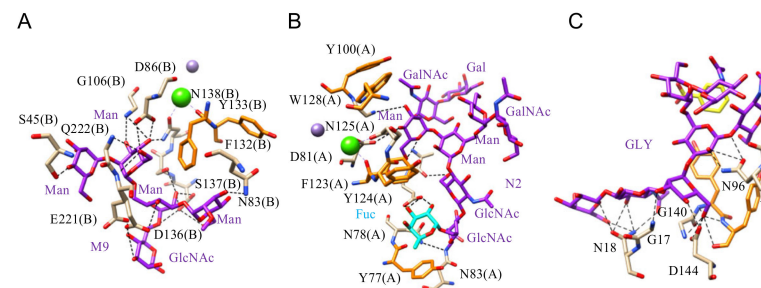


**Figure 3.** (A). Network of hydrogen bonds (black dashed lines) anchoring Man (M) to the amino acid residues A30, E31, D81, G99, and N135, forming the CBS of LoLI from *Lathyrus ochrus* (PDB code 1LOB). Aromatic residue F123 participating in stacking interaction with the pyranose ring of Man is colored orange. (B). Network of hydrogen bonds (black dashed lines) anchoring Man (M) to the amino acid residues G27, G149, V151, and D153, forming the CBS of Morniga-M from *Morus nigra* (PDB code 1XXR). Aromatic residue F150 involved in stacking interaction with the pyranose ring of Man is colored orange. (C). Network of hydrogen bonds (black dashed lines) anchoring Man (M) to the amino acid residues Q90, D92, and N94, forming the CBS of PCL from *Polygonatum cyrtonema* (PDB code 3A0D). Aromatic residue Y98 participating in stacking interaction with the pyranose ring of Man is colored orange.



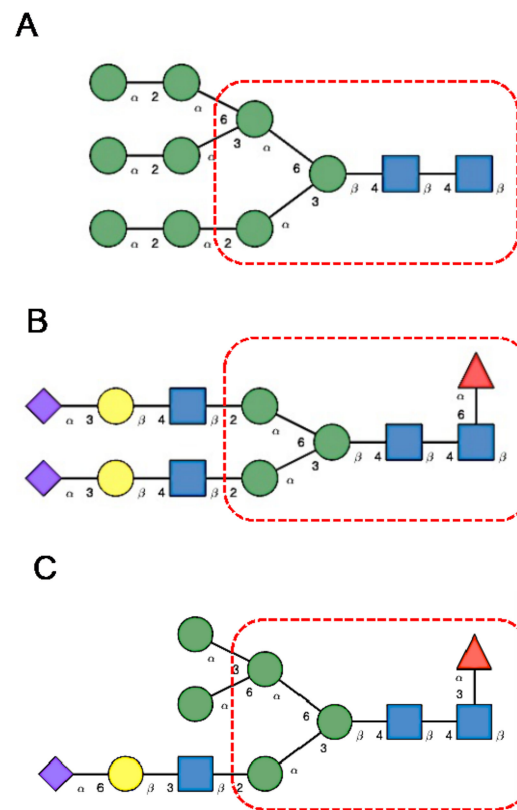
**Figure 4.** (A). Network of hydrogen bonds (black dashed lines) anchoring Man $\alpha$ 1,2Man (M2) to Heltuba from *Helianthus tuberosus* (PDB code 1C3N). Aromatic residues Y89 and Y90 participating in stacking interactions with the pyranose rings of mannobiose are colored orange. (B). Network of hydrogen bonds (black dashed lines) anchoring Man $\alpha$ 1,6Man $\alpha$ 1,3Man (M3) to GNA from *Galanthus nivalis* (PDB code 1JPC). Aromatic residues Y89 and Y90 participating in stacking interactions with the pyranose rings of mannobiose are colored orange. (C). Network of hydrogen bonds (black dashed lines) anchoring Man $\alpha$ 1,3Man $\alpha$ 1,6Man (M3) to PAL from *Pterocarpus angolensis* (PDB code 1Q8V). Aromatic residues Y89 and Y90 participating in stacking interactions with the pyranose rings of mannobiose are colored orange. (D). Network of hydrogen bonds (black dashed lines) anchoring mannotetraose (M4) to artocarpin from *Artocarpus integer* (PDB code 1VBP).

In addition, results from glycan arrays and binding assays, and X-ray crystallography of lectins co-crystallized in the presence of complex glycan chains revealed that Man-binding lectins from higher plants also accommodate more complex *N*-glycan chains, through a complex network of hydrogen bonds and stacking interactions between the pyranose ring of sugars and aromatic residues (F, W, Y) located in the vicinity of the CBS of lectins (Figure 5A–C).



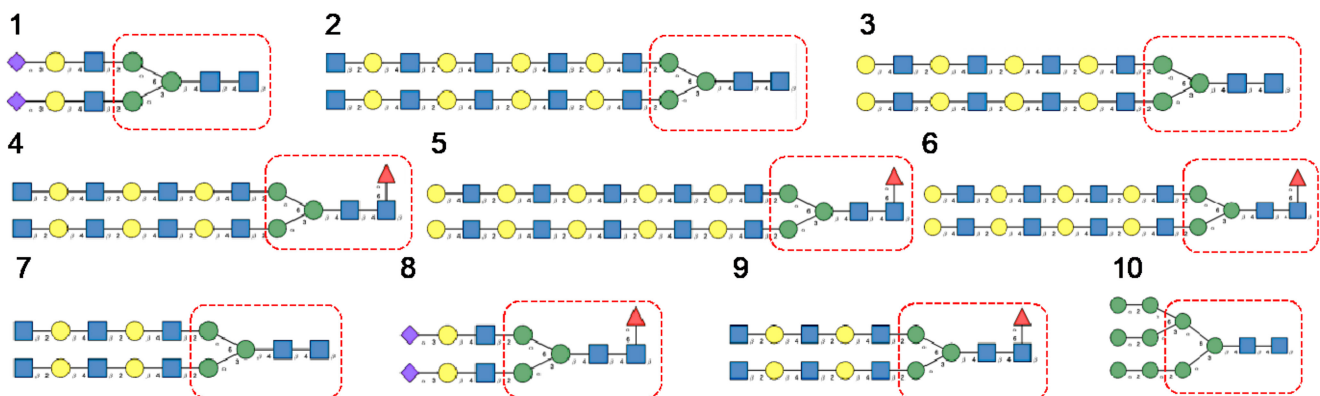
**Figure 5.** (A). Network of hydrogen bonds (black dashed lines) anchoring Man9 (M9) to PAL, the *Pterocarpus angolensis* lectin (PDB code 2PHN). Aromatic residues F132 and Y133 participating in stacking interactions with the pyranose rings of the oligomannoside are colored orange. (B). Network of hydrogen bonds (black dashed lines) anchoring N2 oligosaccharide to LoLII, isolectin II from *Lathyrus ochrus* (PDB code 1LGB). Aromatic residues Y77, Y100, F123, Y124, and W128 involved in stacking interactions with the pyranose rings of the oligosaccharide, are colored orange. The  $\alpha$ 1,6-linked fucose (Fuc) participates in the H-bond network. (C). Network of hydrogen bonds (black dashed lines) anchoring a biantennary glycan (GLY) to Calsepa from *Calystegia sepium* (PDB code 5XFI). Aromatic residues Y141 and Y142 participating in stacking interaction with the pyranose rings of the glycan are colored orange.

*N*-glycans are classified into three types, including oligomannose or high-mannose glycans, complex glycans, and hybrid glycans, according to the extensions of their common core sequence Man $\alpha$ 1,3(Man $\alpha$ 1,6)Man $\beta$ 1,4GlcNAc $\beta$ 1,4GlcNAc $\beta$ 1-Asn (Figure 6A–C):



**Figure 6.** (A). High-mannose *N*-glycan, in which only Man (green circles) residues extend the core. (B). Complex *N*-glycans with two antennae initiated by a GlcNAc residue (blue square) extending the core. (C). Hybrid *N*-glycan with Man extending the Man1,6 arm of the core and GlcNAc extending the Man1,3 arm of the core. The core is delineated by a dashed red line.

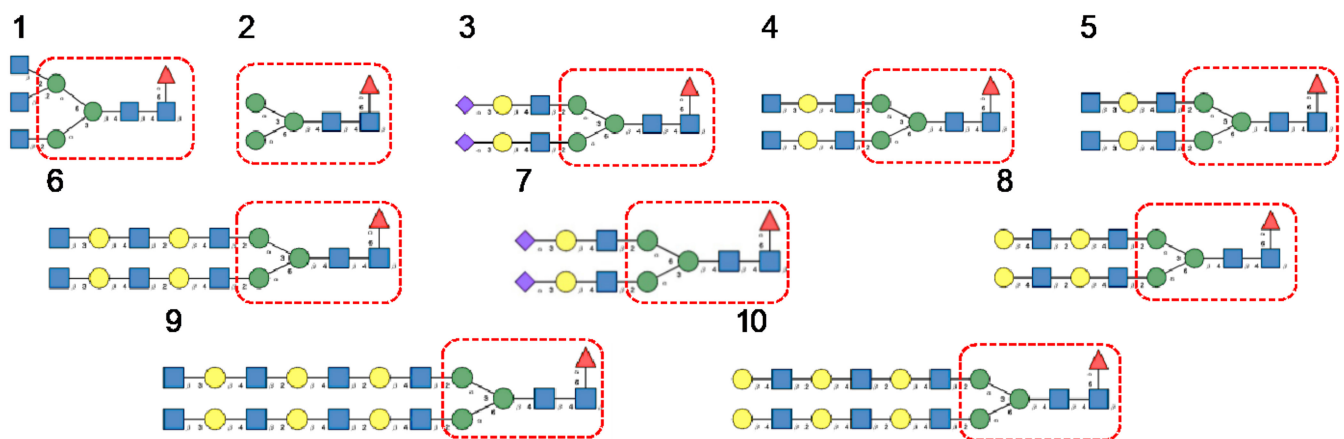
Glycan array analyses were performed by the Consortium for Functional Glycomics (<http://www.functionalglycomics.org>, accessed on 14 March 2021) for Con A, a typical member of the Man-specific single-chain lectins from the Fabaceae. Con A yielded the best interaction with the following glycans arranged in decreasing order of affinity (Figure 7):



**Figure 7.** Glycans recognized by Con A in glycan array experiments, arranged from 1 to 10 in decreasing order of affinity.

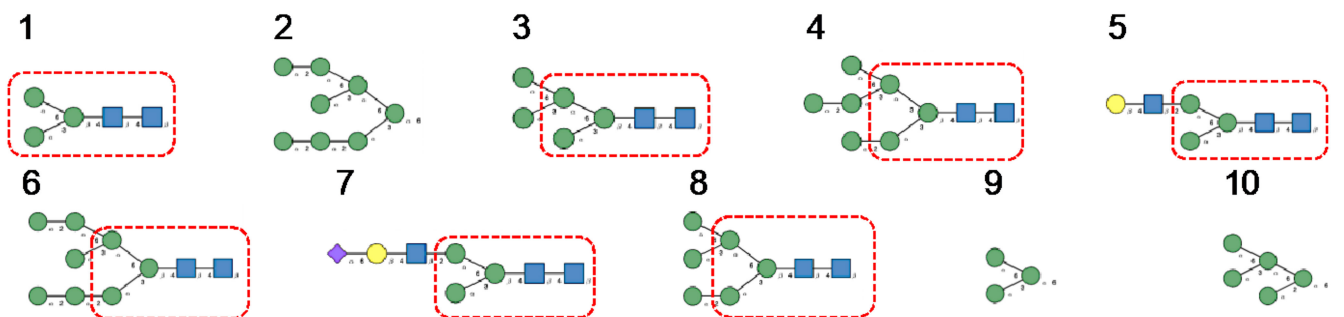
Glycan array analyses performed for PsA, a typical member of the Man-specific two-chain lectins from the Viciae (a tribe of Leguminosae/Fabaceae), yielded the best results with the following glycans arranged in decreasing order of affinity (Figure 8):





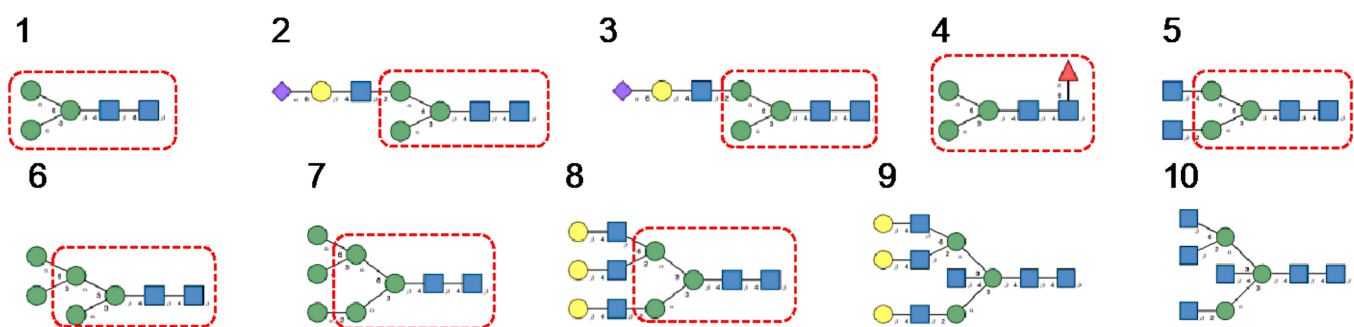
**Figure 8.** Glycans recognized by PsA in glycan array experiments, arranged from 1 to 10 in decreasing order of affinity.

Glycan array results obtained for GNA, the Man-specific lectin from snowdrop, the prototype of monocot Man-binding lectins, are in decreasing order of affinity (Figure 9):



**Figure 9.** Glycans recognized by GNA in glycan array experiments, arranged from 1 to 10 in decreasing order of affinity.

Results obtained with Morniga-M, a typical representative of the jacalin-related Man-binding lectins, reveal some reactivity towards bisected hybrid glycans (Figure 10):



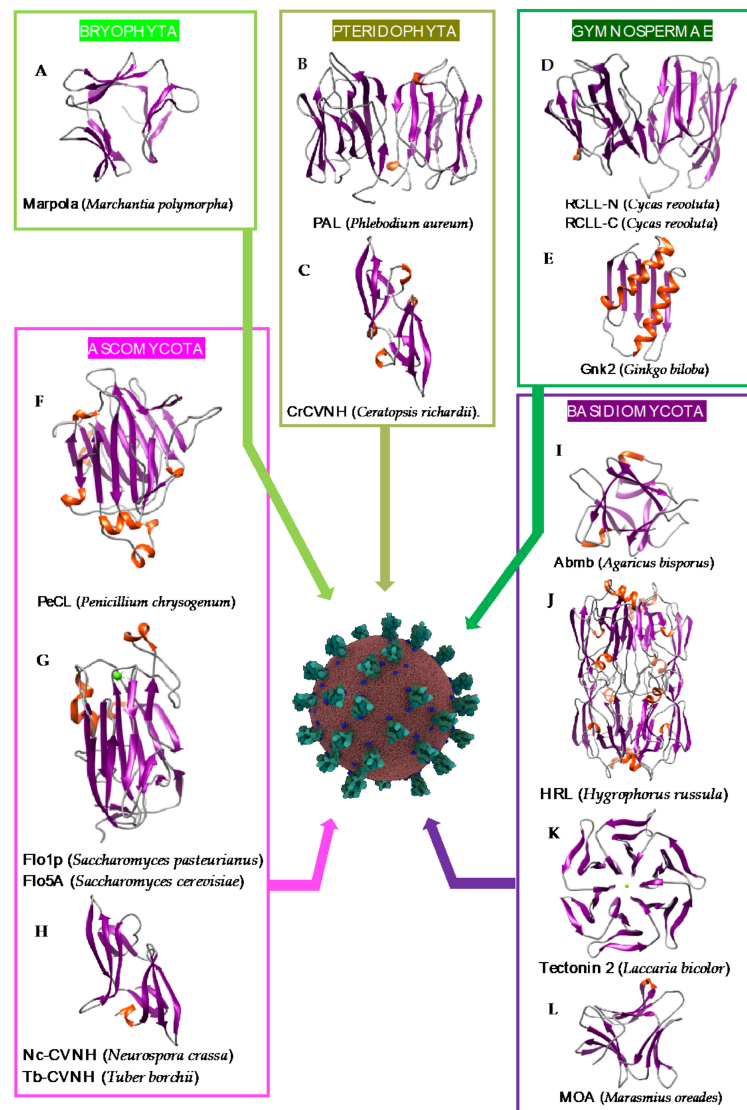
**Figure 10.** Glycans recognized by Morniga-M in glycan array experiments, arranged from 1 to 10 in decreasing order of affinity.

From the glycan array results and X-ray crystallographic analysis of lectins in complex with Man-containing glycans, it clearly appears that beyond a similar affinity for the trimannosyl  $\text{Man}\alpha 1,6\text{Man}\alpha 1,3\text{Man}$  core occurring in both *N*-glycans of the complex, high-mannose and hybrid types, Man-specific lectins from higher plants are not equivalent and readily differ in their capacity to specifically recognize subtle chemical arrangements in the complex glycan chains. In this respect, Man-specific legume lectins essentially recognize complex glycans  $\alpha 1,6$  fucosylated at the GlcNAc residue linked to asparagine, whereas Man-specific lectins belonging to the GNA-related lectin group, essentially recognize more

or less branched high-mannose *N*-glycans. The Man-specific lectins of the jacalin-related group differ from the other lectins by their strong specificity for high-mannose glycans. Depending on the differences observed in the fine specificity towards complex glycans, high-mannose glycans, and hybrid glycans, Man-specific lectins from diverse origins can be used as glycan probes for targeting diverse types of *N*-glycans covering both host cell and viral surfaces.

## 2.2. Man-Specific Lectins from Lower Plants and Fungi

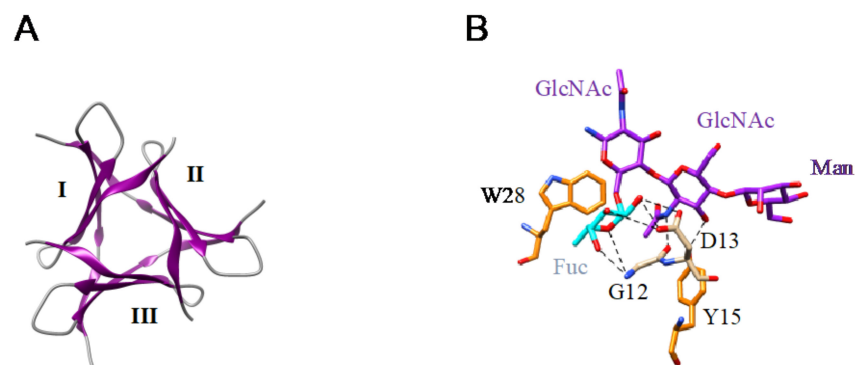
Although they are less documented compared to the lectins from higher plants, a few Man-specific lectins have also been identified in lower plants including Bryophyta, Pteridophyta, and Gymnospermae. Man-specific lectins also occur in both groups of fungi, Ascomycota and Basidiomycota. They usually consist of structural scaffolds very similar to those found in higher plant lectins but few of them also exhibit quite unusual structural scaffolds like the  $\beta$ -propeller fold found in fungi or the  $\alpha + \beta$  fold found in the Gymnospermae (Figure 11A–L):



**Figure 11.** Overview of lectins from the major representative genera/species of lower plants and fungi, with their associated structural scaffolds, able to recognize the spike proteins from coronaviruses (*Coronavirus* Credit: Maria Voigt/RCSB PDB). A–L correspond to lectins used as structural scaffolds (A): Marpola, (B): PAL, (C): CrCVNH, (D): RCLL-N, (E): GnK2, (F): PeCL, (G): Flo1p, (H): TbCVNH, (I): Abmb, (J): HRL, (K): Tectonin 2, (L): MOA. References [99–111] correspond to the lectins presented in the figure.



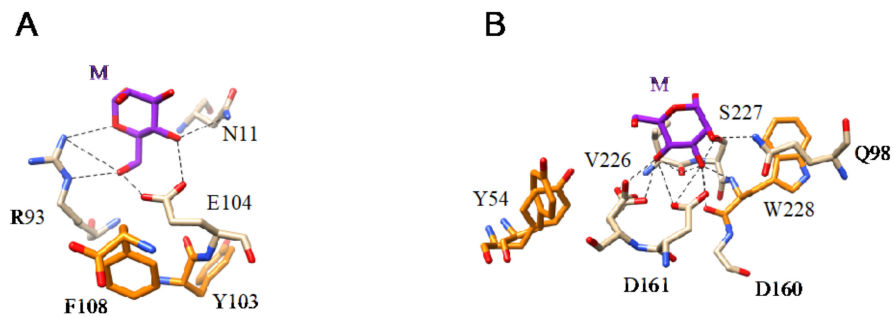
- The  $\beta$ -sandwich structure (jelly-roll structural scaffold) typical for legume lectins, also occurs in the Man-specific lectin PeCL from *Penicillium chrysogenum*, and in floculins Flo1p from the yeast *Saccharomyces pasteurianum* and Flo5p from *Saccharomyces cerevisiae*.
- The  $\beta$ -prism II structure ( $\beta$ -trefoil structural scaffold), that builds the GNA-related lectin protomer, also occurs in Marpola, the Man-specific lectin isolated from the liverwort *Marchantia polymorpha*, and in mushrooms (Abmb from *Agaricus bisporus*, MOA from *Marasmius oreades*). Special mention should be made to the apparent  $\beta$ -trefoil structure that was found in the mini-lectin PhosL from the mushroom *Pholiota squarrosa*. In fact, PhosL results from the trimeric association of three antiparallel  $\beta$ -sheets, each possessing a CBS, that mimics a  $\beta$ -trefoil structure with three identical CBSs. This newly identified lectin fold is involved in the specific recognition of the core  $\alpha$ 1,6-fucosylation of fucosylated *N*-glycans [100] (Figure 12A,B).



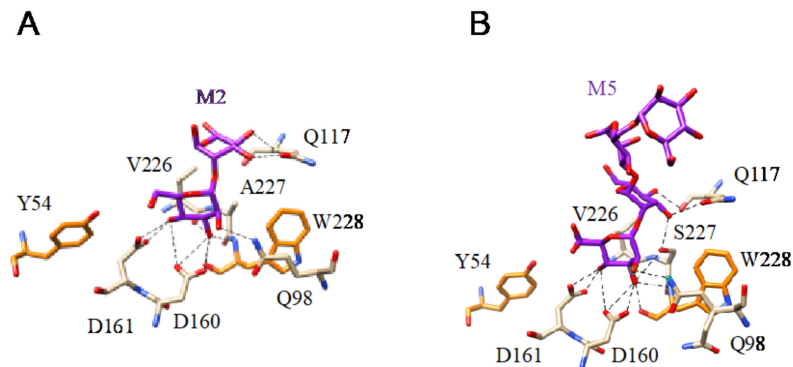
**Figure 12.** (A). Arrangement of the three antiparallel  $\beta$ -sheets (I, II, III) forming the PhosL homotrimer (PDB code 5XZK) to mimic a pseudo- $\beta$ -trefoil structure. (B). Network of hydrogen bonds (black dashed lines) anchoring the fucose (Fuc, colored cyan)  $\alpha$ 1,6-linked for the first GlcNAc from a fucosylated *N*-glycan to the CBS of PhosL (PDB code 6FX1). Aromatic residues Y89 and Y90 participating in stacking interactions with the pyranose rings of manno- and fucose are colored orange.

- A rather unusual 6-bladed  $\beta$ -propeller organization was identified in tectonin 2, the Man-specific lectin from the basidiomycete *Laccaria bicolor* [109]. As commonly observed in other lectins exhibiting a  $\beta$ -propeller structure, tectonin 2 contains 6 identical Man-specific CBSs located at the top of each of the six blades forming the  $\beta$ -propeller.
- Another quite unusual structural scaffold, which consists of an antiparallel five-stranded  $\beta$ -sheet associated to two  $\alpha$ -helices ( $\alpha + \beta$  fold), occurs in the monomeric ginkbilobin 2, a Man-specific lectin from *Ginkgo biloba* [103]. Hydrophilic residues occurring on the loops connecting the  $\beta$ -strands associated with charged residues of two  $\beta$ -strands, to form a Man-binding pocket located at the top of the monomer [103].

The mannose-binding specificity of lectins from lower plants (Bryophyta, Pteridophyta, Gymnospermae), yeasts, and mushrooms (Ascomycota and Basidiomycota), is directed against both Man, mannosides, and more complex high-mannose glycans, as shown from the X-ray crystallographic studies for various Man-specific lectins complexed to Man and oligomannosides (Figure 13 and Figure 14).

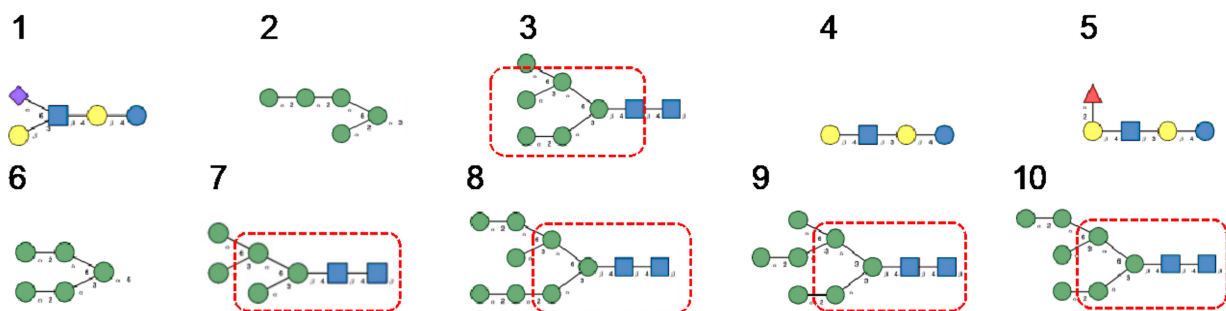


**Figure 13.** (A). Network of hydrogen bonds (black dashed lines) anchoring Man (M) to the amino acid residues N11, R93, and E104, forming the CBS of ginkbilobin from *Ginkgo biloba* (PDB code 4XRE). Aromatic residue Y103 and F108 participating in weak stacking interactions with the pyranose ring of Man are colored orange. (B). Network of hydrogen bonds (black dashed lines) anchoring Man (M) to the amino acid residues Q98, D160, D161, V226, and S227, forming the CBS of flocculin Flo5 from *Saccharomyces cerevisiae* (PDB code 2XJP). Aromatic residues Y54 and W228 involved in stacking interactions with the pyranose ring of Man are colored orange.



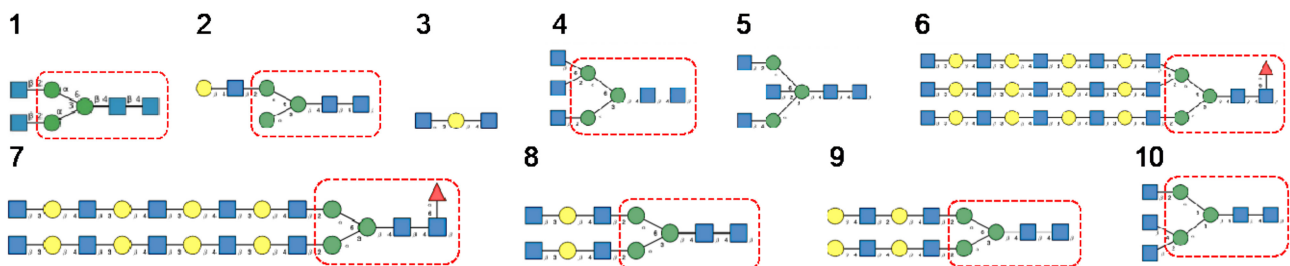
**Figure 14.** (A). Network of hydrogen bonds (black dashed lines) anchoring Mannobiose (M2) to the amino acid residues forming the CBS of flocculin Flo5 from *Saccharomyces cerevisiae* (PDB code 2XJU). Aromatic residue Y54 and FW228 participating in stacking interactions with the pyranose ring of the first Man residue are colored orange. (B). Network of hydrogen bonds (black dashed lines) anchoring Mannopentaose (M5) to the amino acid residues forming the CBS of flocculin Flo5 from *Saccharomyces cerevisiae* (PDB code 2XJT). Aromatic residue Y54 and W228 involved in stacking interactions with the pyranose ring of the first Man of the oligomannoside are colored orange.

In the glycan array analyses performed at Consortium for Functional Glycomics for TbCVN, the *Tuber borchii* Man-specific lectin yielded the best results with the following glycans arranged in decreasing order of affinity (Figure 15):



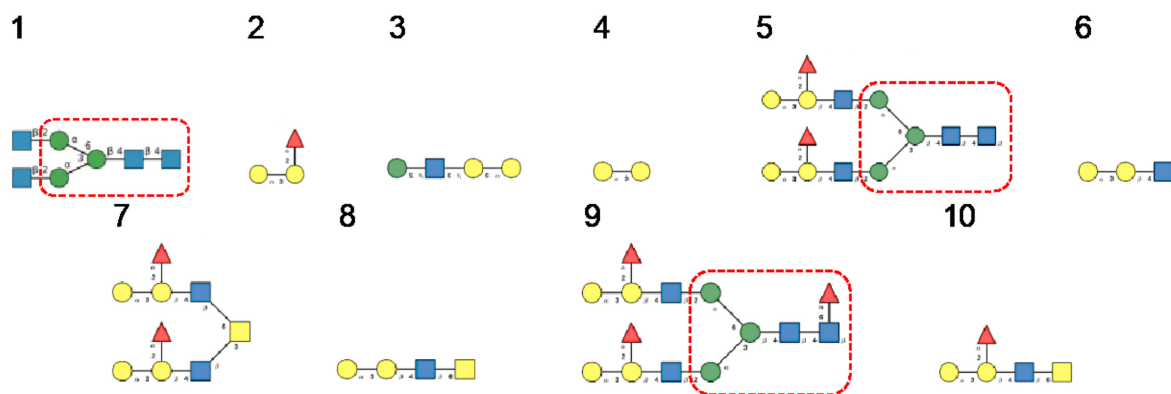
**Figure 15.** Glycans recognized by TbCVN in glycan array experiments, arranged from 1 to 10 in decreasing order of affinity.

Glycan array studies performed for ABA, the *Agaricus bisporus* lectin, yielded the best results with the following glycans arranged in decreasing order of affinity (Figure 16):



**Figure 16.** Glycans recognized by ABA in glycan array experiments, arranged from 1 to 10 in decreasing order of affinity.

Glycan array analyses performed for the lectin MOA from the *Marasmius oreades* mushroom, yielded the best results with the following glycans arranged in decreasing order of affinity (Figure 17):



**Figure 17.** Glycans recognized by MOA in glycan array experiments, arranged from 1 to 10 in decreasing order of affinity.

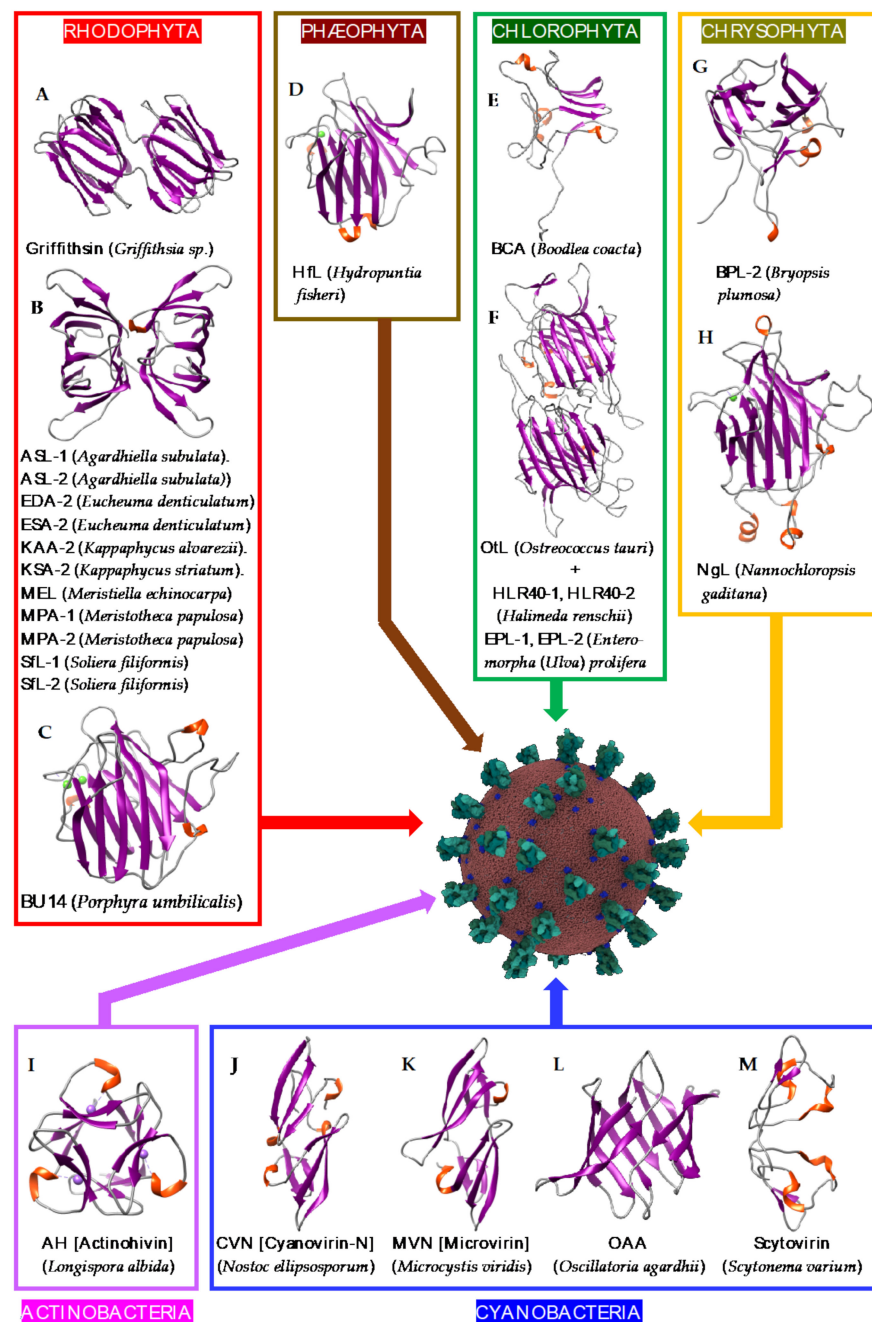
Mannose-specific lectins from Ascomycota, such as the TbCVN and NcCVN cyanovirin-related lectins from *Tuber borchii* (TbCVN) and *Neurospora crassa* (NcCVN), usually differ from lectins of the Basidiomycota by a more pronounced affinity to high-mannose glycans and a lesser affinity for complex type glycans, such as ABA from *Agaricus bisporus* and MOA from *Marasmius oreades*.

### 2.3. Man-Specific Lectins from Algae and Bacteria

Seaweeds belonging to the different classes of algae, including red algae (Rhodophyta), brown algae (Phaeophyta), green algae (Chlorophyta), and yellow-green algae (Chrysophyta), are well-known sources of Man-specific lectins, together with the lectins from Actinobacteria and Cyanobacteria, formerly classified as blue algae.

Seaweed Man-specific lectins exhibit well-identified structural scaffolds but some of them also exhibit unrelated structural scaffolds that still remain to be characterized.

- The  $\beta$ -prism I or  $\beta$ -barrel scaffold occurs predominantly in red algae (Rhodophyta) but is less common in other classes of algae (Figure 18A–M). Algae of the genera *Agardhiella*, *Euclidean*, *Kappaphycus*, *Meristiella*, *Meristotheca*, and *Solieria* exhibit this type of molecular organization, in which the CBS is located at the top of the barrel structure.



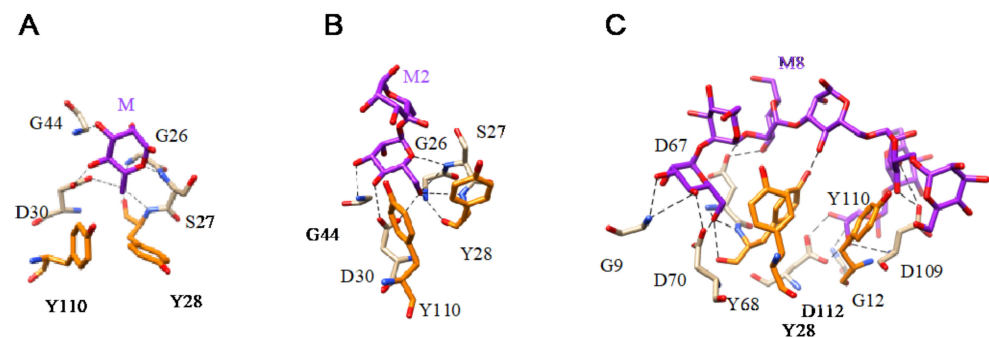
**Figure 18.** Overview of lectins from representative genera/species of algae and cyanobacteria, with their associated structural scaffolds, able to recognize the spike proteins from coronaviruses (*Coronavirus* Credit: Maria Voigt/RCSB PDB). A–M correspond to lectins used as structural scaffolds ((A): Griffithsin, (B): ASL-1, (C): BU14, (D): Hfl, (E): BCA, (F): Otl, (G): BPL-2, (H): NgL, (I): Actinohivin, (J): CVN, (K): MVN, (L): OAA, (M): Scytovirin. References [28–30,112–129] correspond to the lectins presented in the figure.

- A less common  $\beta$ -prism II organization occurs in red algae (*Grateloupia chiangii*) and green algae (*Boodlea coacta*), in which CBSs are located in the grooves delineated by the bundles of  $\beta$ -strands. The MFP2-like structural scaffold, related to the  $\beta$ -prism II organization, occurs in the green alga *Bryopsis plumosa*.
- A rather uncommon  $\beta$ -sandwich organization was found in the red alga *Hydropuntia (Gracilaria) fisheri*, and in the green alga *Ostreococcus tauri*.
- It is interesting to note that the structural scaffolds of many other Man-specific lectins, identified in red algae (*Carpopeltis flabellata*, *Gracilaria bursa-pastoris*) and green algae

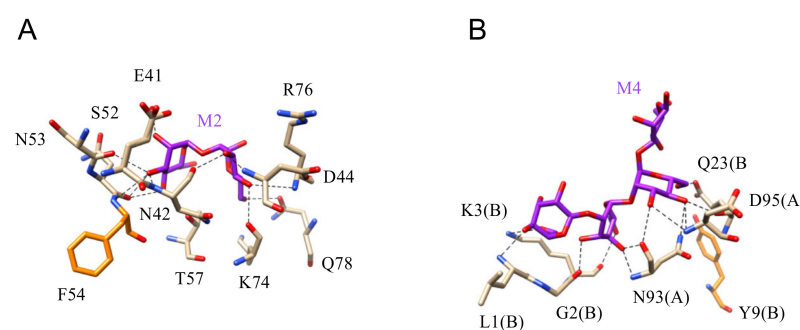
(*Enteromopha prolifera*, *Halimeda renschii*), still remain unknown and are not apparently related to any of the known structural scaffolds reported in algae.

Man-specific lectins from the actinobacteria (actinohivin) and cyanobacteria/ex-blue algae group (cyanovirin CVN, microvirin MVN, scytovirin SVN, and the *Oscillatoria agardhii* agglutinin OAA), exhibit a  $\beta$ -prism II ( $\beta$ -trefoil) structure and a  $\beta$ -prism I ( $\beta$ -barrel) structure, respectively (Figure 18).

The three-dimensional structures for different bacterial lectins in complex with Man, mannosides, and more complex oligomannoside chains are available at the PDB (Figure 19 and Figure 20).



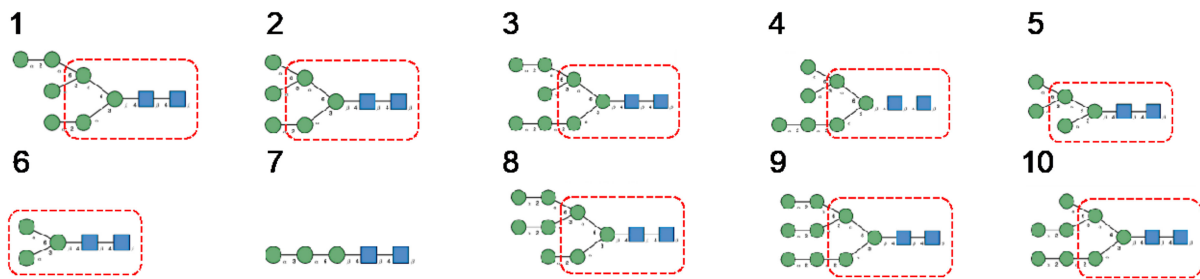
**Figure 19.** (A). Network of hydrogen bonds (black dashed lines) anchoring Man (M) to the amino acid residues forming the CBS of griffithsin (PDB code 2RDK). Aromatic residue Y28 and Y110 participating in stacking interactions with the pyranose ring of Man are colored orange. (B). Network of hydrogen bonds (black dashed lines) anchoring 6 $\alpha$ -mannobiose (M2) to the amino acid residues of the CBS of griffithsin (PDB code 2HYQ). Aromatic residue Y28 and Y110 involved in stacking interactions with the pyranose ring of the first Man residue are colored orange. (C). Network of hydrogen bonds (black dashed lines) anchoring a high-mannose branched glycan (M8) to the amino acid residues of the CBS of griffithsin (PDB code 3LL2). Aromatic residue Y28, Y68, and Y110, participating in stacking interactions with the pyranose rings of Man residues, are colored orange.



**Figure 20.** (A). Network of hydrogen bonds (black dashed lines) anchoring mannobiose (M2) to the amino acid residues forming the CBS of cyanovirin CVN (PDB code 2PYS). Aromatic residue F54 participating in a very weak stacking interaction with the pyranose ring of Man is colored orange. (B). Network of hydrogen bonds (black dashed lines) anchoring mannotetraose (M4) to cyanovirin (PDB code 3GXZ). Amino acid residues of A and B protomers forming the swapped CVN dimer, participate in the interaction with the oligomannoside.

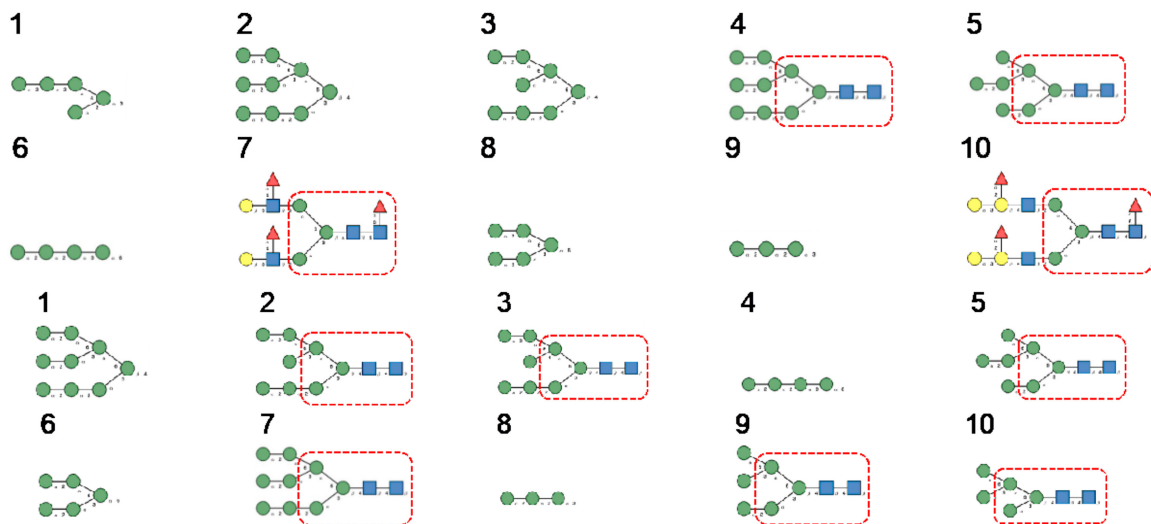
High-mannose glycan-binding activity measured by Hori et al. [130] for ESA-2, the *Eucheuma serra* lectin, yielded the best results with the following glycans arranged in decreasing order of affinity (Figure 21):





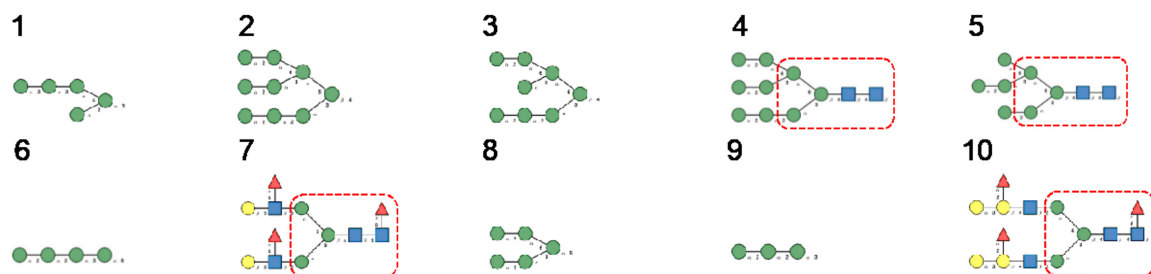
**Figure 21.** Glycans recognized by ESA-2 in glycan-binding activity measurements, arranged from 1 to 10 in decreasing order of affinity.

Glycan array analyses performed at Consortium for Functional Glycomics for cyanovirin-N CVN-N, a typical member of the cyanobacterial Man-specific lectins, yielded the best results with the following glycans arranged in decreasing order of affinity (Figure 22):



**Figure 22.** Glycans recognized by CVN-N in glycan array experiments, arranged from 1 to 10 in decreasing order of affinity.

Glycan array studies performed for actinohivin, a typical member of the actinobacteria Man-specific lectins, yielded the best results with the following glycans arranged in decreasing order of affinity (Figure 23):



**Figure 23.** Glycans recognized by actinohivin in glycan array experiments, arranged from 1 to 10 in decreasing order of affinity.

Man-specific lectins from algae, actinobacteria, and cyanobacteria, almost exclusively interact with high-mannose glycans and, to a very little extent, with complex *N*-glycans. Most of the high-mannose glycans recognized by algal and bacterial lectins readily participate in the glycan equipment of the S proteins forming the spikes that decorate the surface of SARS-CoV, MERS-CoV, and SARS-CoV-2 virions.



### 3. Diversity of Glycans Decorating the Spike-Forming S Glycoproteins of Coronaviruses

The S proteins are organized in homotrimers that form the spikes protruding from the virion lipid bilayer. The S-glycoproteins of SARS-CoV, MERS-CoV, and SARS-CoV-2, consist of heavily *N*-glycosylated proteins consisting of more than 1000 amino-acids, exhibiting a high MW close to 130–140 kDa (133,568 Da for SARS-CoV, 146,594 Da for MERS-CoV, and 141,178 Da for SARS-CoV-2), and an acidic *pI* (5.55 for SARS-CoV, 5.41 for MERS-CoV, and 6.24 for SARS-CoV-2). These proteins contain a high number of potential *N*-glycosylation sites NXT/NXS, that are actually glycosylated (22 for SARS-CoV and SARS-CoV-2, 23 for MERS-CoV) [11,12]. These *N*-glycosylation sites are arrayed along the amino acid sequence of the S-glycoproteins, predominantly at both the *N*- (S1 chain) and C-termini (S2 chain) of the polypeptide chain (Figure 24).

#### SARS-CoV amino acid sequence:

```
MFIFLLFLTLTSGSGLDRCTTFDDVQAPNYQHTSSMRGVYYPDEIFRSDTLYLTDQLFLPFYSNVTGFHTINHTFGNPVIFPKDGI
YFAATEKSNVVRGWVFGSTMNNKSQSVIIINNSTNVVIRACNFELCDNPFFAVSKPMGTQHTMIFDNAPNCTFEYISDAFSLDSE
KSGNFKHLREFVFNKDKGLYVYKGYQPIDVVRDLPSGFNTLKPIFKLPLGINLNFRALLTAFSPAQIDSAAAYFVYGLKPTT
FMLKYDENGTITDAVDCSQNPLAELKCSVKSFEIDKGIYQTSNFRVVPVSGDVVRFNITNLCPFGEVNAKFPVSVYWERKKISNC
VADYSVLYNSTFSTFKCYGVSATKLNLCFSPNVYADSFVVKGDVVRQIAPGQTGVIADYNYKLPDDFMCVGLAWNTRNIDATSTGN
YNYKYRLRHGKLRPFERDISNVVFPDGPCTPPALNCYWPLNDYGFYTTTGIGYQYPRVVVLSFELLNAPATVCGPKLSTDLIKN
QCVNFNFNGLTGTGVLTPSSKRFQPFQFGRDVSPTDSVRDPKTEILDISPCSFSGGVSVITPGTNASSEVAVLVQDVNCTDVSTA
IHADQLTPAWRIYSTGNVFPQTQAGCLIGAHEVDTSYECDIPIGAGICASYHTVLLASTSQKSIVAYTMSLGADSSIAYSNNTIAI
PTNFSISITTEVMPVSMAKTSDVCNMYICGDSTECANLLQYGSFCTQLNRLSGIAAEQDRNTREVFAQVKQMYKTPTLKYFGGFN
FSQILPDPLKPKTRSFIEDLLFNKVTLADAGFMKQYGECLGDINARDLCAQKFNGLTVLPPLLTDDMIAAYTAALVSGTATAGWTF
GAGAALQIPFAMQAYRFNGIVTQNVLYENQKQIANQFNKAISQIQESLTTTSTALGKLQDVVNQNAQALNTLVKQLSSNFGAISS
VLNDILSRDKVAEVQIDRLITGRLQSLQTYVTQQLIRAAEIRASANLAATKMSECVLGQSKRVDFCGKGYHLMSPQAAPHGVVF
LHVTVPSQERNFTTAPAICHGKAYFPREGVVFNGTSWFITQRNFSPQIITDNTFVSGNCDVVIGIINNTVYDPLQPELDSFK
EELDKYFNHTSPVDLGDISGINASVVNIQKEIDRLNEVAKNLNESLIDLQELGKYEQYIKWPWSHPQFEK
```

#### MERS-CoV amino acid sequence:

```
LVLSLLVLLMGCVAETGTVDVGPDSVKSACIEVDIQQTFFDKTPRPIDVSKADGIIYPQGRYSNLITYQGLFPYQGDHGMYYV
SAGHATGTPPKLFVANYSQDVQKFANGFVVRIGAAANSTGTVIISPSTSATIRKIYPAFMLGSSVGSNFSDGKMGRFFNHLVLLPD
GGCTLLRAFYCILEPRSNHCPAGNSYTSFATYHTPATDCSDGNYNRNASLNSFKEYFNLNCTFMYTYNTEDELELEWFGITQTAQ
GVHLFSRRYVDLYGGNMFQFATLPVYDTIKYSIIPHSIRSIQSDRKAWAAFVYVKLQPLTFLLDFSVDGYIRRADCGFNDLSQLH
CSYESFDVESGVYSVSSFEAKPSGSVVEQAEGVECDFSPLLSGTPPQVYNFRKLVFTNCNYNLTKLLSLFSVNDFTCSISFAAIAS
NCYSSLLDYFSYPLSMKSDLSVSSAGPISQFNYKQFSNPTCLILATVPHNHTITTKPLKYSYINKSRLLSDDRTEVPQLVANQ
YSPCVSIVPSTVNEDGDYYRKQLSPLEGGWLVASGSTVAMTEQLMGFGITVQYGTDTNSVCPKLEFANNTKIASQLGNCVEYSLY
GVSGRVFQNCTAVGVRQRFVYDAYQNLVGYSDDDGNYCLRACVSVVPSVYYDKETKTHATLFGSVACEHISSTMSQYSRSTRSM
LKRDSTYGLQTPFLVGLVNSSLFVEDCKLPLQSLCALPDTPTSLTPASVGSVPEGMERLASIFANPHIQVDQLNSSYFKLSIP
TNFFGVTQEYIQTTIQKVTVDCKYVCNGFQCEQLLREYGQFCSKINQALHGANLRQDDSVRNLFASVKSSQSSPIIPGFGGDFN
TYLLEPVSISTGSRSARSAIEDLLFDKVTIADPGYMQYDDCMQQGPASARDLICAQVAGYKVLPPLMVNMEAAYTSSLLGSIAG
VGWTAGLSSFAAIPFAQSIFYRLNGVGITQQVLSENQKLIANKFNQALGAMQTGFTTNEAFQVKQDAVNNAQALSKLASELSNTF
GAISASIGDIQRLDPPEQDAQIDRLINGRLTLNAFVAQQLVRSESAALSAQLAKDKVNECVKAQSKRSGFCGQTHIVSVVNAP
NGLYFMHVGYPSNHIEVVSAYGLCDAANPTNCIAPVNGYFIKTNNTRIVDEWSYTGSSFYAPEPITSLNKYVAPQVTYNTSTNL
PPLLLGNSTGIDFQDELDEFFKNVSTSIPNFGSLTQINTLLDLTYEMLSLQVVKALNESYIDLKELGNTYYNKGSRENLYFQG
GGSGYIPEAPRDGQAYVRKDGEWLLSTFLG
```

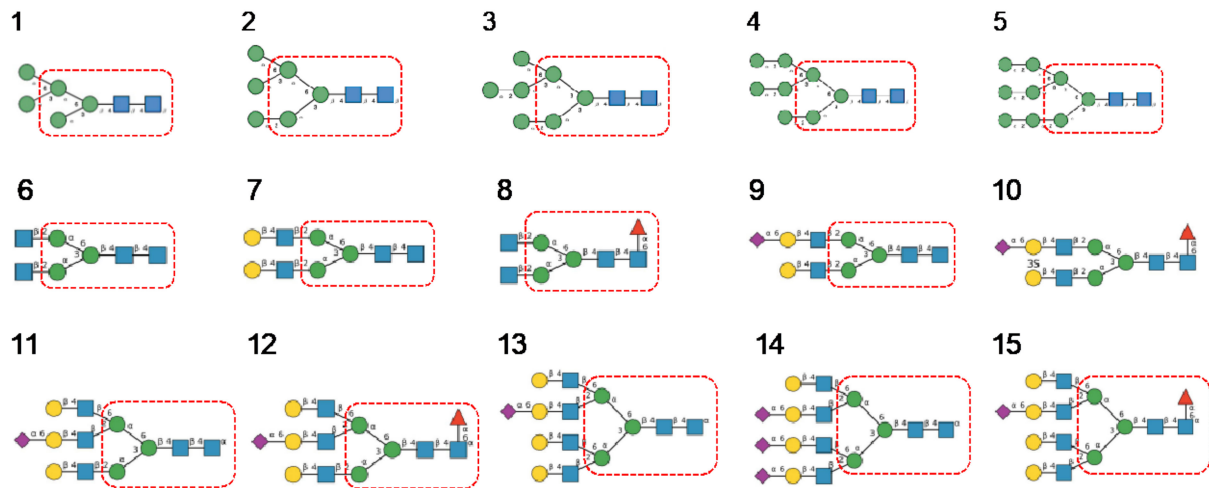
#### SARS-CoV-2 amino acid sequence:

```
MFVFLVLLPLVSSQCVNLTTRTQLPPAYTNSFTRGVYYPDKVFRSSVLHSTQDLFLPFFSNVTWFHAIHVSGTNGKRFDNPVLPFPN
DGVYFASTEKSNIIRGWIFGTLLDSKTQSLLIVNATNVVIKVCEFQCNDPFLGVYHKNKSWMESEFRVYSSSANNCTFEYVSQP
FLMDLEGKQGNFKNLREFVFNKIDGYFKIYSKHTPINLVRDLPQGFSALEPLVDLPIGINLTRFQTLLALHRSYLTPGDSSSGWTAG
AAAYVYGLQPRTFLLKYNBNGTITDAVDCALDPLSETKTLKSFTVEKGIYQTSNFRVQPTESIVRFPNNITNLCPFGEVNATRFA
SVYAWNRKRISNCVADYSVLYNSASFSTFKCYGVSPTKLNDLCFTNVYADSFVIRGDEVRQIAPGQTGKIADYNYKLPDDFTGCVIA
WNSNLDSKVGGNYNYLYRLFRKSNLKPFERDISTEIYQAGSTPCNGVEGFNCYFPLQSYGFQPTNGVYQYPRVVLSFELLHAPA
TVCGPKKSNLVKKNCVNFNGLTGTGVLESNKKFLPFQQGRDIADTDAVRDPQTLEILDITPCSFGGVSVITPGTNTSNQVA
VLYQDVNCTEVPVAIHADQLTPTRVRVYSTGSNVFQTRAGCLIGAEHVNNSYECDIPIGAGICASYQTQTNSPRRRSVASQSIAYT
MSLGAENSVAYSNNSIAIPTNFTISVTBEILPVSMTKTSVDCTMYICGDSTECSNLLLQYSFCTQLNRALTGIAVEQDKNTQEVFA
QVKQIYKTPPIKDFGGFNFSQILPDPSKPSRSFIEDLLFNKVTLADAGFIKQYGDCLGDIAARDLICAQKFNGLTVLPLLTDEMI
AQYTSALLAGTITSGWTFGAALQIPFAMQAYRFNGIGVTQNVLYENQKLIANQFNSAIGIQDSLSSSPASALGKLQDVVNQAQ
ALNTLVKQLSSNFGAISSVLNDILSRLDKVAEVQIDRLITGRLQSLQTYVTQQLIRAAEIRASANLAATKMSECVLGQSKRVDFCGKGYHLMSPQAAPHGVVFIG
IVNHTVYDPLQPELDSFKEELDKYFKNHTSPVDLGDISGINASVVNIQKEIDRLNEVAKNLNESLIDLQELGKYEQYIKWPWYIWL
GFIAGLIAIVMVTIMLCCMTSCCSCLGCCSCGCGSCCKFDEDDSEPVLKGVKHLYT
```

**Figure 24.** Amino acid sequences of S proteins from SARS-CoV, MERS-CoV, and SARS-CoV-2, showing the *N*-glycosylation sites occupied (almost) exclusively by complex type *N*-glycans (red), high-mannose type *N*-glycans (green), hybrid type *N*-glycans (purple), and predominantly occupied by high-mannose glycans (pale green) or complex glycans (magenta).

A detailed study of *N*-glycans present on the S-glycoprotein of coronaviruses revealed the extreme diversity of *N*-glycans covering the coronavirus envelope [11,12]:

- High-mannose type glycans consist essentially of tri-antennary glycans GlcNAc<sub>2</sub>-Man<sub>5-9</sub> (Figure 25).
- Complex type glycans are represented by essentially fucosylated and often sialylated, bi-, tri-, and tetra-antennary glycans (Figure 25).



**Figure 25.** (1–5). High-mannose-type glycans: GlcNAc<sub>2</sub>Man<sub>5</sub> (1); GlcNAc<sub>2</sub>Man<sub>6</sub> (2), GlcNAc<sub>2</sub>Man<sub>7</sub> (3), GlcNAc<sub>2</sub>Man<sub>8</sub> (4) and GlcNAc<sub>2</sub>Man<sub>9</sub> (5). (6–15). Complex-type glycans: bi-antennary glycans (6,7), fucosylated bi-antennary glycan (8), sialylated bi-antennary glycan (9), sialylated and fucosylated bi-antennary glycan (10), sialylated tri-antennary glycan (11), sialylated and fucosylated tr-antennary glycan (12), sialylated tetra-antennary glycans (13,14) and sialylated and fucosylated tetra-antennary glycan (15).

- Hybrid type glycans, often bisected, have been detected at different *N*-glycosylation sites but with the exception of the last C-terminal *N*-glycosylation site occurring in S-glycoprotein of MERS-CoV which is exclusively occupied by hybrid-type glycans. All other *N*-glycosylation sites are occupied by a mixture of high-mannose, complex, and hybrid glycans (Table 1).
- Scarce potential *O*-glycosylation sites T/S, actually occupied by *O*-glycans, have been identified essentially in the S-glycoprotein of SARS-CoV-2 (T323, S325, and T678) [12].

The diversity of *N*-glycosylation occurring at the different *N*-glycosylation sites of both SARS-CoV, MERS-CoV, and SARS-CoV-2, has been summarized in Figure 26. This table suggests that SARS-CoV and SARS-CoV-2 share a rather similar *N*-glycosylation pattern, which readily differs from that observed in MERS-CoV S-glycoprotein.

In addition to the different *N*-glycosylation patterns found at the glycosylation sites arrayed along the S-glycoprotein trimers forming the coronavirus spikes, spikes from the different coronavirus readily differ by a distinct distribution of the complex and high-mannose glycans at their surface and, especially at the top and the lateral faces of the spikes.

**Table 1.** Overview of Man-specific lectins from higher plants investigated in [13], for their anti-SARS-CoV activity, classified in decreasing order of activity (EC50 ( $\mu\text{g}/\text{mL}$ )). Adapted from [13].

Lectin Family	Plant Species	Lectin	Structural Scaffold	EC50 ( $\mu\text{g}/\text{mL}$ )
GNA-related	<i>Allium porum</i>	APA	$\beta$ -trefoil	$0.45 \pm 0.08$
	<i>Epipactis helleborine</i>	EHA	$\beta$ -trefoil	$1.8 \pm 0.3$
	<i>Listera ovata</i>	LOA	$\beta$ -trefoil	$2.2 \pm 1.3$
	<i>Hyppastrum hybrid</i>	HHA	$\beta$ -trefoil	$3.2 \pm 2.8$
	<i>Cymbidium hybrid</i>	CA	$\beta$ -trefoil	$4.9 \pm 0.8$
	<i>Narcissus pseudonarcissus</i>	NPA	$\beta$ -trefoil	$5.7 \pm 4.4$
	<i>Galanthus nivalis</i>	GNA	$\beta$ -trefoil	$6.2 \pm 0.6$
	<i>Allium ursinum</i>	AUA	$\beta$ -trefoil	$18 \pm 4$
	<i>Tulipa hybrid</i>	TL MI	$\beta$ -trefoil	$22 \pm 6$
	<i>Lycoris radiata</i>	LRA	$\beta$ -trefoil	48
	<i>Colocasia esculenta</i>	CEA	$\beta$ -trefoil	>60
	<i>Allium sativum</i>	ASA	$\beta$ -trefoil	>100
JRL-related	<i>Morus nigra</i>	Morniga-M	$\beta$ -barrel	$1.6 \pm 0.5$
Nictaba-related	<i>Nicotiana tabacum</i>	Nictaba	$\beta$ -sandwich	$1.7 \pm 0.3$
Legume lectins	<i>Cladrastis lutea</i>	Cladrastis	$\beta$ -sandwich	$7.4 \pm 0.2$

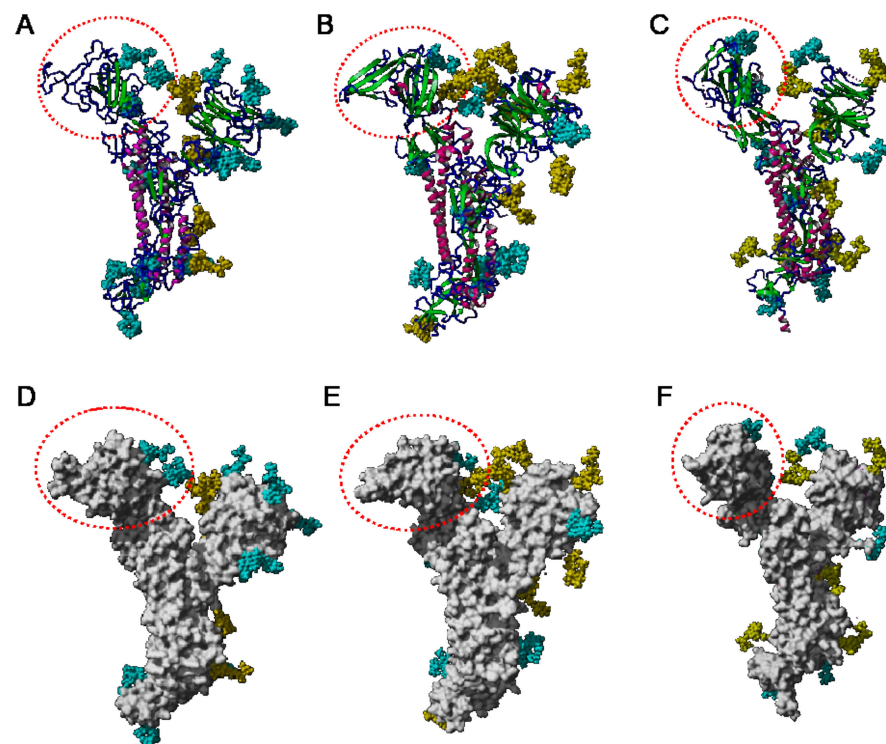
Sites:	SARS-CoV	Sites:	MERS-CoV	Sites:	SARS-CoV-2
N29		N66		N17	
N65		N104		N61	
N73		N125		N74	
N109		N155		N122	
N118		N166		N149	
N158		N222		N165	
N227		N236		N234	
N269		N244		N282	
N318		N410		N331	
N330		N487		N343	
N357		N592		N603	
N589		N619		N616	
N602		N719		N657	
N691		N774		N709	
N699		N785		N717	
N783		N870		N801	
N1056		N1176		N1075	
N1080		N1213		N1099	
N116		N1225		N1135	
N1140		N1241		N1159	
N1155		N1256		N1174	
N1176		N1277		N1195	
		N1288			

**Figure 26.** Site-specific N-linked glycosylation of SARS-CoV, MERS-CoV, and SARS-CoV-2. Sites containing (almost) exclusively complex glycans (colored red), high-mannose glycans (colored green), and hybrid glycans (colored magenta), are indicated. Sites harboring a mixture of complex glycans, high-mannose glycans, and a few hybrid glycans are colored pale green or pink, depending on the predominant high-mannose glycans (pale green) or complex glycans (orange).

#### 4. Structural Organization and Glycosylation Pattern of S Glycoproteins Forming the Spikes of Coronaviruses

The distribution of the high-mannose *N*-glycans and complex *N*-glycans at the surface of the S-glycoprotein strikingly differs depending on the coronaviruses SARS-CoV, MERS-CoV, and SARS-CoV-2 (Figure 27):

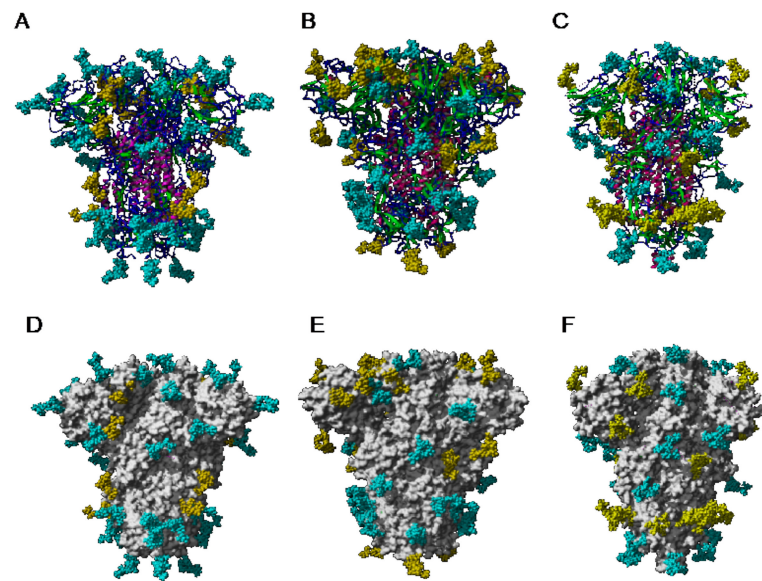
- high-mannose glycans are predominantly distributed in the upper part of the S-glycoprotein from MERS-CoV, whereas complex glycans mainly occur along the lower part of the S-glycoprotein.
- complex glycans predominate in the upper part and lower part of S-glycoprotein from SARS-CoV, while the less abundant high-mannose glycans are equally distributed along with the glycoprotein.
- in all three coronaviruses, the RBDs only contain complex *N*-glycans.



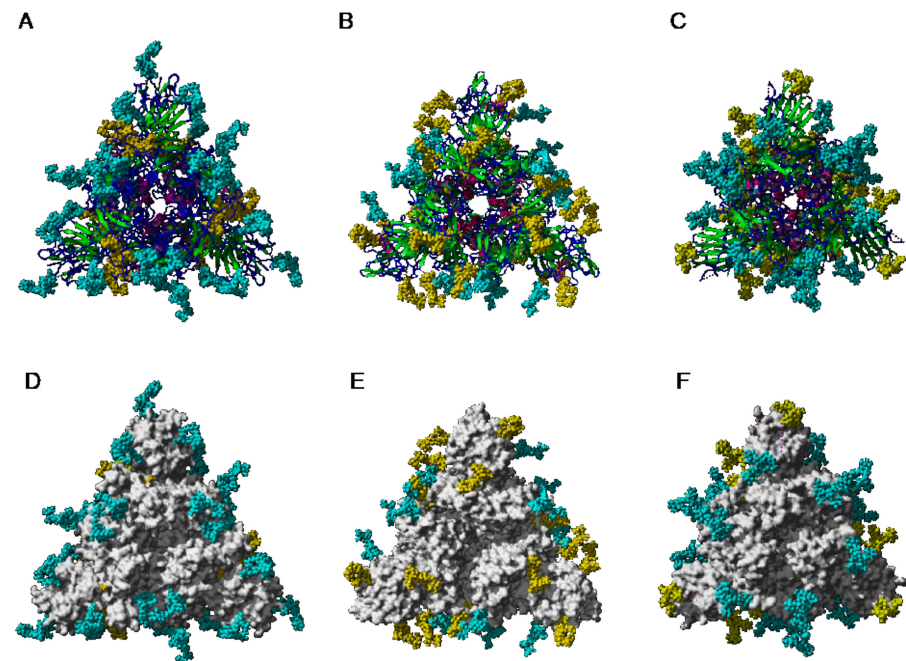
**Figure 27.** (A–C). Lateral face of the ribbon diagram representing the heavily glycosylated S glycoprotein of SARS-CoV (PDB code 6ACD) (A), MERS-CoV (PDB code 5W9H) (B), and SARS-CoV-2 (PDB code 6VXX) (C). High-mannose glycans and complex glycans are colored yellow and cyan, respectively. The RBD is indicated by a red dashed circle. (D–F). Lateral face of the molecular surface (colored grey) of the S-glycoprotein of SARS-CoV (D), MERS-CoV (E), and SARS-CoV-2 (F). High-mannose glycans and complex glycans are colored yellow and cyan, respectively.

According to the different distribution of high-mannose and complex *N*-glycans along the S-glycoprotein of SARS-CoV, MERS-CoV, and SARS-CoV-2, both types of glycans are differentially distributed at the surface of the spikes of SARS-CoV, MERS-CoV, and SARS-CoV-2, as shown from pictures of the lateral faces (Figure 28A–F) and front faces (Figure 29A–F) of the spikes:





**Figure 28.** (A–C). Lateral face of the ribbon diagram representing the homotrimeric spike of SARS-CoV (PDB code 6ACD) (A), MERS-CoV (PDB code 5W9H) (B), and SARS-CoV-2 (PDB code 6VXX) (C). High-mannose glycans and complex glycans are colored yellow and cyan, respectively. (D–F). Lateral face of the molecular surface (colored grey) of the S-glycoprotein of SARS-CoV (D), MERS-CoV (E), and SARS-CoV-2 (F). High-mannose glycans and complex glycans are colored yellow and cyan, respectively.

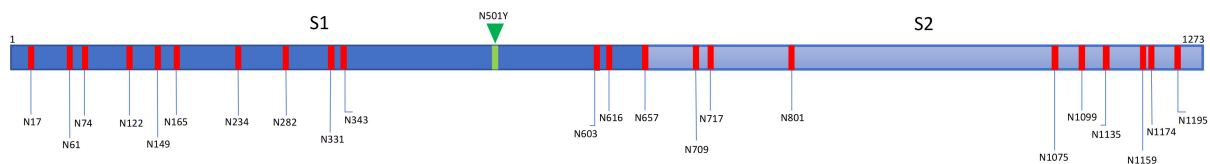


**Figure 29.** (A–C). Top face of the ribbon diagram representing the homotrimeric spike of SARS-CoV (PDB code 6ACD) (A), MERS-CoV (PDB code 5W9H) (B), and SARS-CoV-2 (PDB code 6VXX) (C). High-mannose glycans and complex glycans are colored yellow and cyan, respectively. (D–F). Top face of the molecular surface (colored grey) of the S-glycoprotein of SARS-CoV (D), MERS-CoV (E), and SARS-CoV-2 (F). High-mannose glycans and complex glycans are colored yellow and cyan, respectively.

Discrepancies observed in the distribution and exposure of both types of *N*-glycans, especially at the top of the spikes, between SARS-CoV, MERS-CoV, and SARS-CoV-2 (Figure 29), allow for predicting the quite different accessibility of the high-mannose and

complex glycan shield of the different coronaviruses to the Man-specific lectins from plants, fungi, algae, and bacteria.

Interestingly, none of the *N*-glycosylation sites was impacted by the point mutations identified on the SARS-CoV-2 variants B.1.351 and B.1.1.7 that display increased resistance to antibody neutralization [131]. The only asparagine residue impacted by the N501Y mutation in the U.K., South African, and Brazilian variants of SARS-CoV-2, is not part of an *N*-glycosylation site (Figure 30).



**Figure 30.** Localization of point mutation N501Y in the amino acid sequence of the S-glycoprotein from SARS-CoV-2. The actually glycosylated *N*-glycosylation sites distributed along the amino acid sequence are indicated by red rods and numbered.

### 5. Man-Specific Lectins from Higher Plants, Fungi, Algae and Cyanobacteria, Specifically Interact with the Highly Glycosylated S Glycoprotein from Coronaviruses

Depending on the results obtained in glycan-binding assays and glycan array experiments, one can predict the potential interaction with high-mannose glycans and complex glycans identified in the glycan shield covering the spikes from SARS-CoV, MERS-CoV, and SARS-CoV-2 viruses (Figures 31–33):

- Man-specific single- and two-chain lectins from the Fabaceae, which primarily recognize the ( $\alpha$ 3, $\alpha$ 6)mannoside core of the branched GlcNAc<sub>2</sub>Man<sub>3</sub> oligosaccharides, readily interact with the complex glycans and, to a lesser extent, with high-mannose glycans of the spikes from SARS-CoV (Figure 31), MERS-CoV (Figure 32) and SARS-CoV-2 (Figure 33). In this respect, two-chain lectins from the Viciae, e.g., pea lectin PsA and lentil lectin LcA, differ from single-chain lectins from other families of Fabaceae, e.g., Con A from *Canavalia ensiformis* or DGL from *Dioclea grandiflora*, by a much more pronounced affinity for  $\alpha$ 6-fucosylated complex glycans [21]. In addition, due to the particularly well-exposed distribution of complex glycans at the top of the SARS-CoV and SARS-CoV-2 spikes, both types of coronaviruses are predicted to better interact with lectins from the Fabaceae, compared to MERS-CoV spikes (Figure 29).
- The Man-specific jacalin-related lectins (JRL), such as Morniga-M from *Morus nigra*, which also recognizes *N*-glycans of the hybrid type in addition to complex glycans and high-mannose glycans, could serve as glycan probes for coronaviruses, particularly for binding to MERS-CoV, which exhibits hybrid glycans at the N1288 glycosylation site (Figure 26).
- The GNA-related lectins, which specifically interact with branched Man<sub>5</sub>-Man<sub>9</sub> oligomannosides, would predominantly recognize high-mannose glycans (Figures 31–33) and, especially, the well-exposed high-mannose glycans protruding at the top of the MERS-CoV spikes (Figure 29). The less exposed high-mannose glycans located at the bottom of the SARS-CoV and SARS-CoV-2 spikes (Figure 28), should also be recognized, but to a lesser extent.


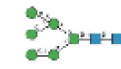













Glycan :	Leg4	Leg2	JRL	GNA	Nic	Ric	Asc	Bas	Rh	Chl	Act	Cya
	X	X	X	X	X				X	X		X
	X	X	X	X	X			X	X	X		X
	X	X	X	X	X		X		X	X	X	X
	X	X	X	X	X		X	X	X	X	X	X
	X	X	X	X				X				

**Figure 31.** SARS-CoV glycans that can be recognized (X) by Man-specific lectins from plants, mushrooms, algae, and cyanobacteria, as predicted from the results of glycan arrays performed with purified lectins: Leg4 (Con A): single-chain legume lectins; Leg2 (PsA, LcA): two-chain legume lectins; JRL (Morniga-M): jacalin-related lectins; GNA (GNA, ASA): GNA-like lectins; Nic: Nictaba from *Nicotiana tabacum*; Ric: ricin-B from *Ricinus communis*; Asc (NcCVN): lectins from Ascomycota; Bas (ABA): lectins from Basidiomycota; Rh (griffithsin, KAA-2): lectins from Rhodophyta; Chl (BCA): lectins from Chlorophyta; Act (actinohivin): lectins from actinomycetes; Cya (cyanovirin): lectins from cyanobacteria.

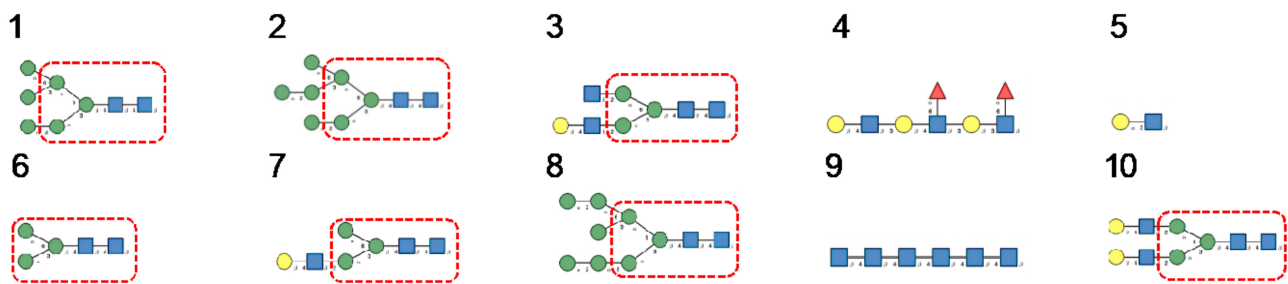
Glycan :	Leg4	Leg2	JRL	GNA	Nic	Ric	Asc	Bas	Rh	Chl	Act	Cya
	X	X	X	X	X				X	X		X
	X	X	X	X	X			X	X	X		X
										X		
	X	X	X	X	X		X		X	X	X	X
	X	X	X	X	X		X	X	X	X	X	X
		X										
	X	X										
	X	X										
	X	X	X			X						

**Figure 32.** MERS-CoV glycans that can be recognized (X) by Man-specific lectins from plants, mushrooms, algae, and cyanobacteria, as predicted from the results of glycan arrays performed with purified lectins: Leg4 (Con A): single-chain legume lectins; Leg2 (PsA, LcA): two-chain legume lectins; JRL (Morniga-M): jacalin-related lectins; GNA (GNA, ASA): GNA-like lectins; Nic: Nictaba from *Nicotiana tabacum*; Ric: ricin-B from *Ricinus communis*; Asc (NcCVN): lectins from Ascomycota; Bas (ABA): lectins from Basidiomycota; Rh (griffithsin, KAA-2): lectins from Rhodophyta; Chl (BCA): lectins from Chlorophyta; Act (actinohivin): lectins from actinomycetes; Cya (cyanovirin): lectins from cyanobacteria.

Glycan :	Leg4	Leg2	JRL	GNA	Nic	Ric	Asc	Bas	Rh	Chl	Act	Cya
	X	X	X	X	X				X			X
	X	X	X	X	X				X	X		X
		X		X	X					X	X	X
			X						X	X	X	
	X	X	X			X						
			X	X	X			X				
			X	X	X							
		X		X								
	X	X	X	X	X	X						
	X	X		X								
	X		X	X	X	X						
	X	X	X		X							
	X		X	X	X	X						

**Figure 33.** ARS-CoV-2 glycans that can be recognized (X) by Man-specific lectins from plants, mushrooms, algae, and cyanobacteria, as predicted from the results of glycan arrays performed with purified lectins: Leg4 (Con A): single-chain legume lectins; Leg2 (PsA, LcA): two-chain legume lectins; JRL (Morniga-M): jacalin-related lectins; GNA (GNA, ASA): GNA-like lectins; Nic: Nictaba from *Nicotiana tabacum*; Ric: ricin-B from *Ricinus communis*; Asc (NcCVN): lectins from Ascomycota; Bas (ABA): lectins from Basidiomycota; Rh (griffithsin, KAA-2): lectins from Rhodophyta; Chl (BCA): lectins from Chlorophyta; Act (actinohivin): lectins from actinomycetes; Cya (cyanovirin): lectins from cyanobacteria.

- Nictaba lectin from *Nicotiana tabacum* interacts with the following glycans arranged in decreasing order of affinity according to glycan array experiments performed at the Consortium for Functional Glycomics, and should therefore recognize the complex glycans and high-mannose glycans forming the glycan shield of the spikes from coronaviruses (Figure 34):



**Figure 34.** Glycans recognized by Nictaba in glycan array experiments, arranged from 1 to 10 in decreasing order of affinity.

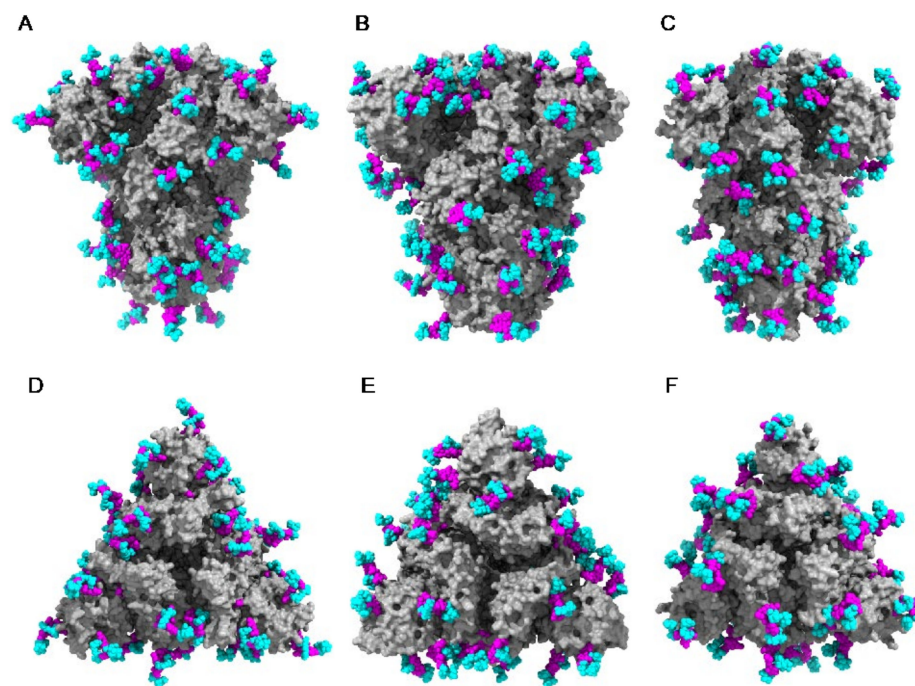
- The ricin-B lectin from the *Iris hollandica* RIP-II was also shown to interact with complex ( $\alpha$ 6-fucosylated) glycans, high-mannose glycans, and hybrid glycans in glycan array experiments. Accordingly, it should readily interact with the spikes covering all types of coronaviruses (Figures 31–33).
- Man-specific lectins from mushrooms belonging to the Ascomycota, essentially recognize high-mannose glycans (Nc-CVN from *Neurospora crassa*, and Tb-CVN from *Tuber borchii*, Flo1p from *Saccharomyces pasteurianus*, and Flo5A from *S. cerevisiae*), whereas other Man-specific lectins from Basidiomycota, e.g. Abmb from *Agaricus bisporus*, and MOA from *Marasmius oreades*, preferentially recognize complex glycans. Mushroom lectins should recognize the high-mannose glycans and the complex glycans from coronaviruses.
- Man-specific lectins from red algae and green algae, both recognize exclusively high-mannose glycans containing Man<sub>5</sub>-Man<sub>9</sub> mannose residues. They should be nicely adapted for the recognition of the high-mannose glycan shield exposed at the top of the MERS-CoV spikes (Figures 28 and 29). Obviously, they should also recognize the high-mannose glycans associated with the SARS-CoV and SARS-CoV-2 spikes (Figures 31–33).
- Man-specific lectins from algae, actinobacteria (actinohivin) and cyanobacteria (cyanovirin, microvirin, scytovirin), which predominantly possess a  $\beta$ -barrel structure and display an exclusive specificity for branched Man<sub>5</sub>-Man<sub>9</sub> oligomannosides, should recognize the high-mannose glycan shield covering the coronavirus spikes and, especially, the MERS-CoV virus (Figures 28 and 29).

The above predictions have already been corroborated by coronavirus-binding experiments using several lectins from plants, algae, and bacteria, confirming the potential of Man-specific lectins as relevant probes for the proper targeting of coronavirus spikes.

The pioneering work of van der Meer et al. (2007) demonstrated the anti-viral properties of Man-specific GNA-related lectins such as CA from *Cymbidium* sp., HHA from *Hippeastrum* hybrid, and GNA from *Galanthus nivalis* against SARS-CoV, and also highlighted the efficacy of the bacterial cyanovirin CVN [132]. These results were further extended to a broader list of 33 lectins, including Morniga-M from *Morus nigra* and other Man-specific lectins exhibiting a different structural scaffold [13]. The most efficient lectins against SARS-CoV predominantly consist of GNA-related Man-specific lectins (Table 1). In addition, lectins with different specificities, e.g., Gal-specific lectins (Morniga-G from *Morus nigra*), GalNAc-specific lectins (ML II from *Viscum album*), and GlcNAc-specific lectins (UDA from *Urtica dioica*), also displayed a significant anti-SARS-CoV activity. In addition, two targets for HHA, the Man-specific lectin from Amaryllis (*Hippeastrum* hybrid), were identified at the beginning and at the end of the infectious virus cycle. These target proteins most probably are involved in the viral attachment to the host cell surface and the virus release from the infected cells, respectively. The GNA-related Man-specific lectins interact with the glycan shield from the SARS-CoV spikes and thus interfere with the attachment of the virions to and the release from the host cells, with the exception of the garlic (*Allium sativum*) lectin ASA, which is devoid of any anti-viral activity against SARS-CoV. Obviously, the specific interaction of GNA-related lectins with the SARS-CoV virions depends on the

preferential recognition by lectins of high-mannose glycans well exposed at the top of the SARS-CoV spikes (Figure 29).

Recently, another Man-specific lectin FRIL from the legume *Lablab (Dolichos) purpureus* seeds, was shown to interfere with the SARS-CoV-2 entry in host cells, and its antiviral activity is mediated by specific recognition of complex glycans occurring on the surface of the S-glycoprotein [133]. In glycan array experiments, FRIL exhibited the best binding to complex-type N-glycans with  $\alpha$ 1,3 or  $\alpha$ 1,4 fucosylated sub-terminal GlcNAc whereas a slightly weaker binding was obtained with non-terminally fucosylated complex- and hybrid-type N-glycans. This situation is reminiscent of the preferential affinity of Man-specific *Viciae* lectins (LcA, LoL-I, PsA) for  $\alpha$ 1,6-fucosylated N-glycans of the complex type [21,134,135], with the difference that *Viciae* lectins bind  $\alpha$ 1,6-Fuc on reducing ends of complex-type N-glycans, which are therefore suspected to be less accessible to the lectins. However, *Viciae* lectins also interact with the non-fucosylated tri-mannosyl core of high mannose and complex-type glycans, which appear well exposed on the surface of the coronavirus spikes (Figure 35A–F). This is consistent with the predicted preferential affinity of Man-specific legume lectins for  $\alpha$ 1,6-fucosylated N-glycans of the complex type which predominantly occur at the top of the SARS-CoV-2 spikes (Figure 29). These results obtained with a legume lectin, compared to those obtained with GNA-related lectins towards SARS-CoV, highlight the importance of a differential distribution of the high-mannose glycans and complex glycans on the surface of the spikes, which, in fact, define the type of glycans that will be accessible to the Man-specific lectins from the different groups.



**Figure 35.** (A–C). Lateral views of the molecular surfaces (colored grey) of spikes from SARS-CoV (PDB code 6ACD) (A), MERS-CoV (PDB code 5W9H) (B), and SARS-CoV-2 (PDB code 6VXX) (C), showing the exposure of the fucosylated and non-fucosylated tri-mannosyl cores (colored magenta) of high mannose glycans and complex glycans (colored cyan). (D–F). Front views of the molecular surfaces (colored grey) from SARS-CoV (D), MERS-CoV (E), and SARS-CoV-2 (F), showing the exposure of the fucosylated or non-fucosylated tri-mannosyl cores (colored magenta) of high mannose glycans and complex glycans (colored cyan).

Man-specific lectins from red algae, and especially griffithsin GRFT, were recognized very early as specific carbohydrate-binding agents for SARS-CoV, due to its strict specificity for high-mannose glycans containing Man<sub>5</sub>-Man<sub>9</sub> units [136,137]. In addition, GRFT was

identified as a potent inhibitor of the MERS-CoV infection, inhibiting the entry of virions into the cells [138]. Other griffithsin-related Man-specific lectins from Ascomycota, e.g., Nc-GRFT from *Neurospora crassa* and Tb-GRFT from *Tuber borchii*, should also interact with the glycan shield covering the SARS-CoV spikes. Actinohivin, microvirin, and scytovirin should also specifically interact with SARS-CoV but, to date, no information is available yet on their anti-SARS-CoV properties.

Similar to the Man-specific lectins from plants and algae, the so-called mannose-binding lectins MBL from animals and especially, the calcium-dependent serum C-lectins, which play a key role as opsonins in innate immunity towards a number of pathogens, including viruses, bacteria, and protozoa, were identified as selective inhibitors for the infection of host cells by SARS-CoV [139]. In addition, a single *N*-glycosylation site N330 of the SARS-CoV S-glycoprotein, predominantly occupied by *N*-glycans of the complex type (Figure 26), was identified as a critical target for the interaction from directed mutagenesis experiments. In contrast, other membrane-associated Man-specific lectins such as DC-SIGN and DC-SIGNR were assigned as receptors promoting infection and dissemination of SARS-CoV through the specific recognition of the glycan shield covering the virion spikes [140]. Recently, a detailed study of the interactions of the *N*-linked glycans in the RBD from the SARS-CoV-2 spike protein has been performed with human galectins, using NMR spectroscopy [141]. Moreover, the inhibition of Galectin-3, another animal lectin, was proposed as a possible treatment capable of impeding the SARS-CoV-2 attachment to the host cells and suppressing the host inflammatory response [142].

The mechanism by which lectins block viral replication once they have recognized the glycoproteins covering the enveloped viruses, still remains unclear.

Previous experiments performed to elucidate the inhibitory mode of action of Man-specific lectins (GNA from snowdrop *Galanthus nivalis*, and HHA from *Hippeastrum* hybrid) and UDA, the GlcNAc-binding lectin from stinging nettle *Urtica dioica*, on feline infectious peritonitis virus (FIPV) and mouse hepatitis virus (MHV), showed that lectins do not inhibit the attachment of coronavirus to the host cells but affect coronavirus entry at a post-binding stage. The lectins could interfere with some spike protein rearrangements required for driving the fusion between the viral envelope and the host cell membrane [143].

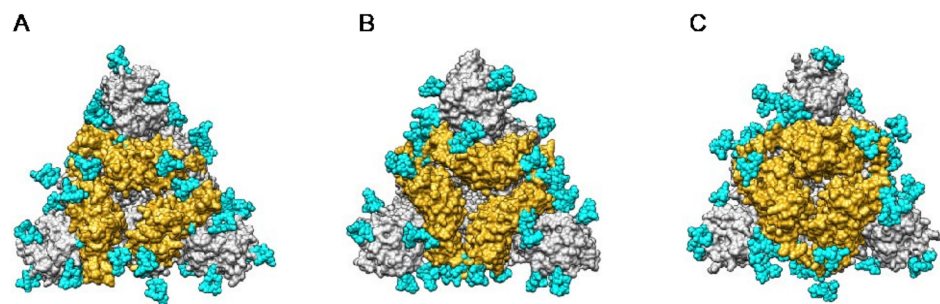
Griffithsin, the red algal Man-specific lectin, was identified as a potent inhibitor of MERS-CoV infectivity and replication *in vitro*. The lectin was shown to interact with the MERS-CoV spike protein during the early attachment step to the virions, suggesting that griffithsin could prevent the attachment of the virions to the DPP4 receptors of the host cells. Accordingly, the lectin cannot block MERS-CoV infection when added to the virions at a post-binding step [138].

Investigating the mechanism by which FRIL neutralizes influenza viruses H1N1, H3N2, H5N1, and H7N9, under *in vitro* and *in vivo* conditions, Liu et al. (2020) showed that (1) FRIL neutralizes only influenza viruses possessing complex-type *N*-glycans, (2) due to its tetravalent character, FRIL binds to the virions and creates virion aggregates before the endocytosis into the host cell, (3) FRIL halts the host cell infection process in the late endosome/lysosome and thus prevents the nuclear import of the virions [133]. According to these results, the authors proposed a model in which the lectin causes the virion aggregation outside the host cell and, once endocytosed, prevents their nuclear import by entrapping the virion-lectin aggregates in the late endosome/lysosome stage. In this process, the multivalency of FRIL appears as a key factor for bridging the influenza virions and create virion aggregates outside the host cell, prior to their endocytosis. Similarly, FRIL also binds to the complex-type glycans of SARS-CoV-2 virions and displays a lower affinity towards high-mannose glycans. These results confirm that FRIL exhibits a better affinity to the complex-type glycans with  $\alpha$ 1,3 or  $\alpha$ 1,4 fucosylated sub-terminal GlcNAc, compared to  $\alpha$ 1,3 and  $\alpha$ 1,6 linked Man of the  $\alpha$ 1,6-fucosylated or non-fucosylated tri-mannosyl core GlcNAc<sub>2</sub>Man<sub>3</sub>. The affinity of FRIL for complex-type glycans could explain why the lectin neutralizes both influenza and SARS-CoV-2 viruses but has almost no effect on HIV.



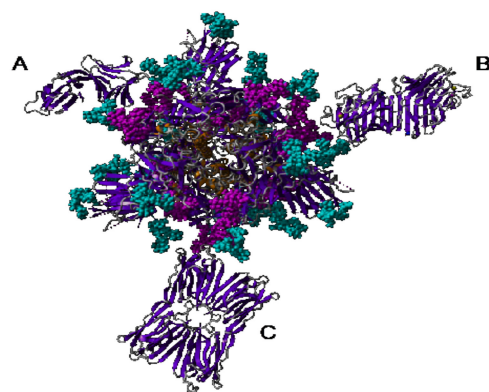
## 6. Biomedical Perspectives

The extensive glycosylation at the surface of the S protein offers a shielding effect to SARS-CoV, MERS-CoV, and SARS-CoV-2. In addition to this protective role, a possible stabilization function has been postulated for some of the *N*-glycans covering the SARS-CoV-2 S protein, that could be exploited in the future for targeting the glycan coat by therapeutic drugs [144]. However, the distribution of the glycan shield at the surface of the spikes and especially, at the top of the spikes, does not consistently support a protective function susceptible to reduce the vulnerability of the coronaviruses towards antibody epitopes and/or exogenous proteases. In this respect, the exposed area of the RBDs at the top of the spikes is substantially free of glycans and thus, remains available for specific recognition by the opened spike conformation of the corresponding ACE2 (SARS-CoV and SARS-CoV-2) and DPP4 (MERS-CoV) host cell receptors (Figure 36A–C).



**Figure 36.** (A–C). Top face of the ribbon diagram of the homotrimeric spike of SARS-CoV (PDB code 6ACD) (A), MERS-CoV (PDB code 5W9H) (B), and SARS-CoV-2 (PDB code 6VXX) (C). High-mannose glycans and complex glycans are colored cyan. Molecular surfaces corresponding to the RBDs are colored gold and the remaining molecular surfaces are colored grey.

Nevertheless, the steric hindrance created by the interaction of Man-specific lectins such as the dimeric PsA (50 kDa), the tetrameric GNA (50 kDa), and Morniga-M (60 kDa) or the octameric Heltuba (120 kDa), with the high-mannose and complex *N*-glycans located in the vicinity of the RBD area, should interfere with the receptor recognition process and could disturb or prevent the entry of coronaviruses in host cells. In this respect, the di-, tetra-, hexa- (*Parkia platicephala* lectin), and octameric Man-specific lectins from higher plants, which exhibit high molecular weights in the range between 50–100 kDa, could serve as blocking agents that can prevent the coronavirus infection. Other Man-specific lectins from algae, fungi, and cyanobacteria seem to be less adapted to act as a blocking agent owing to their smaller size, e.g., 25 kDa for the griffithsin swapped homodimer and 20 kDa for the cyanovirin swapped homodimer, respectively (Figure 37).



**Figure 37.** Cartoon showing the relative size of different Man-binding lectins (dimeric GNA-like lectin (A), bivalent legume lectin  $\beta_2\alpha_2$  (B), and Jacalin-related lectin (C)), complexed to the homotrimeric spike (front face) from SARS-CoV-2.



As blocking agents for coronaviruses SARS-CoV, MERS-CoV, and SARS-CoV-2, Man-specific lectins from higher plants, algae, fungi, and cyanobacteria could be used to entrap and immobilize the virions using air-conditioned filters impregnated with lectins to prevent the coronavirus dissemination by contaminated people. However, the covalent fixation of lectins to air-conditioned filters necessitates large amounts of purified lectins, which may be problematic in view of low yields usually obtained during purification of Man-specific lectins from higher plants. Recent improvements performed in the large-scale purification of the algal lectins from *Eucheuma* [114], and griffithsin from tobacco leaves, could provide the bulk production of Man-specific lectins required for the manufacturing of lectin-impregnated filters [145]. However, the blocking activity of dried lectins immobilized on air-conditioned filters seems unlikely because these proteins need water to retain both their conformation and carbohydrate-binding activity. At most, one can imagine a filtration device equipped with a wet filter containing immobilized lectins, which would remove the air from the virions before entering the air-conditioned filter.

Another potential biomedical application for Man-specific lectins could consist of their use as glycan probes for the detection of coronaviruses in the environment, e.g., on various domestic surfaces such as doorknobs, home furnishings, handrails, mirrors, computers, etc. Virions deposited on these surfaces could be detected under UV illumination, e.g., using specific antibodies labeled with a fluorochrome.

It is possible to imagine further therapeutic issues for Man-specific lectins with respect to the coronavirus infection. Recently, a risk of contamination by SARS-CoV-2 has been identified via spoiled blood or blood products transfused to healthy people [146]. Although the risk of a transfusion transmission is essentially theoretical [147], a plasmapheresis through a column of immobilized Man-specific lectin would be sufficient to eliminate the eventual blood contaminants. A similar filtration of the suspected blood samples through a column containing an immobilized Man-specific lectin could be performed in blood centers or blood banks and would be a control measure sufficient to purge the blood from coronavirus particles and thus prevent possible contamination for the transfused people. In this respect, up to 80% of MERS-CoV and 70% of MARV (Marburg virus), were successfully eliminated by lectin affinity plasmapheresis using GNA as a blocking agent immobilized in the extra-capillary space of a standard plasma filter [148].

From the scarce in vitro experiments conducted to study the effects of Man-specific lectins from higher plants [13,132,133], and griffithsin [137,138], towards MERS-CoV and SARS-CoV-2, the anti-viral activity of lectins appeared to prevent both attachment and entry of the virus in the host cell but does not interfere with the coronavirus replication process within the cell. Consequently, Man-specific lectins cannot be considered as replication blockers for coronaviruses. A very different situation occurs for other enveloped viruses such as HIV-1 [24], influenza virus [37], and Herpes virus [25], whose replication is apparently blocked in vitro, in the presence of Man-specific lectins.

In addition, some of the biomedical applications presented here could be adapted to veterinary medicine by addressing animal coronavirus concerns [149] as part of the “one health” approach.

## 7. Bioinformatics

The X-ray coordinates available for lectins, lectins in complex with simple sugars, oligosaccharides, and more complex glycans, and S-glycoproteins from SARS-CoV, MERS-CoV, and SARS-CoV-2, were taken from the PDB.

Homology modeling of other lectins was performed with the YASARA Structure program [150] using various structurally related proteins as templates from the PDB [151], depending on the overall structural scaffold to which they belong. PROCHECK [152], ANOLEA [153], and the calculated QMEAN scores [154,155] were used to assess the geometric and thermodynamic qualities of the resulting three-dimensional models.

Docking of simple sugars and oligosaccharides was performed with YASARA and SwissDock [156,157]. The molecular surface of the lectins and S-glycoproteins from SARS-

CoV, MERS-CoV, and SARS-CoV-2, were calculated and displayed with Chimera [158]. Molecular cartoons were drawn with Chimera and YASARA.

Assuming that putative *N*-glycosylation sites Asn-X-Thr/Ser of SARS-CoV, MERS-CoV, and SARS-CoV2, are actually glycosylated, a classic bi-antennary high-mannose glycan chain with a tri-mannoside core (Man)<sub>2</sub>-(Man)<sub>3</sub>-(GlcNAc)<sub>2</sub> was modeled using the GlyProt server (<http://www.glycosciences.de/modeling/glyprot/php/main.php>, accessed on 1 March 2021) [159], and represented in CPK on the molecular surface of the spike S-glycoproteins. According to the known differential distribution of high-mannose *N*-glycans and complex *N*-glycans on the surface of the S-glycoproteins, another run of modeling was performed using standard high-mannose glycans and complex glycans as models.

Cartoons for high-mannose glycans, complex *N*-glycans, and hybrid glycans, were built and represented with the DrawGlycan SNFG package for Mac [160]. Classical colored symbols were used for representing Fuc (red triangle), Gal (yellow circle), GalNAc (yellow square), GlcNAc (blue square), Man (green circle), and sialic acid/Neu5Ac (purple losange), respectively.

## 8. Discussion

Glycans of the S-glycoproteins forming the spikes of SARS-CoV, MERS-CoV and SARS-CoV-2, consist of high-mannose glycans and often sialylated *N*-glycans that predominantly occupy their *N*-glycosylation sites [11,12]. However, depending on the coronaviruses, some discrepancies occur between the distribution of the two types of glycans on the surface of the virion, which introduces some diversity in the glycan shield covering the coronavirus spikes [11]. Accordingly, Man-specific lectins from plants, algae, fungi, and bacteria, which differ slightly due to their fine sugar-binding specificities, offer a vast panel of glycan probes more or less adapted to the specific recognition of the different coronaviruses. In this respect, GNA-related lectins together with Man-specific lectins from algae and cyanobacteria, appear as glycan probes nicely adapted to the recognition of the high-mannose shield which predominates at the top of the MERS-CoV spike. Otherwise, legume lectins with a higher affinity for *N*-glycans possessing the trimannoside Man $\alpha$ 1,3Man $\alpha$ 1,6Man core, seem better adapted to the recognition of the *N*-glycans distributed predominantly at the top of the glycan shield from SARS-CoV and SARS-CoV-2.

Besides Man-specific lectins, other lectins displaying different carbohydrate-binding specificities have previously been identified as glycan probes for MERS-CoV [13,161]. In this respect, lectins exhibiting Man/Glc-specificity (CLA from *Cladrastris lutea*), Gal/GalNAc-specificity (Morniga-G from *Morus nigra*), GlcNAc-specificity (Nictaba from *Nicotiana tabacum*), chitin-specificity (UDA from *Urtica dioica*), display an antiviral activity often higher or similar to those displayed by genuine Man-specific lectins, essentially the GNA-related lectins from monocot plants [39]. The occurrence of (sialylated)complex glycans and hybrid glycans arrayed on the surface of coronavirus spikes, readily accounts for the differences observed among the carbohydrate-binding specificities towards the coronaviruses. Inhibition of the SARS-CoV replication was observed in a lethal SARS-CoV-infected BALB/c mouse model after treatment with the (GlcNAc)<sub>n</sub>-binding stinging nettle (*Urtica dioica*) lectin [161]. Nictaba from *Nicotiana tabacum* and UDA, two GlcNAc-binding lectins, also displayed antiviral properties against several families of enveloped viruses including influenza A/B, Dengue virus type 2, herpes simplex virus, and HIV, respectively [162]. Accordingly, a mixture of lectins with different carbohydrate-binding specificities should provide a glycan probe tool well adapted to all of the coronavirus types and strains.

**Author Contributions:** A.B., M.S. and H.B., provided and analyzed the bibliographic information for lectins. S.L.P. and B.K. provided and analyzed the bibliographic information dealing with coronaviruses and D.P. analyzed the technical aspects of the bibliographic information. P.R. performed the in silico molecular modelling and docking experiments, and provided the molecular cartoons and the docking pictures. E.J.M.V.D. and P.R. wrote the review. All authors have read and agreed to the published version of the manuscript.

**Funding:** This research received no external funding.

**Institutional Review Board Statement:** Not applicable.

**Informed Consent Statement:** Not applicable.

**Conflicts of Interest:** The authors declare no conflict of interest.

## References

1. Belouard, S.; Millet, J.K.; Licitra, B.N.; Whittaker, G.R. Mechanisms of coronavirus cell entry mediated by the viral spike protein. *Viruses* **2012**, *4*, 1011–1033. [[CrossRef](#)]
2. Lu, G.; Wang, Q.; Gao, G.F. Bat-to-human: Spike features determining ‘host jump’ of coronaviruses SARS-CoV, MERS-CoV, and beyond. *Trends Microbiol.* **2015**, *23*, 468–478. [[CrossRef](#)] [[PubMed](#)]
3. Li, F. Structure, function, and evolution of coronavirus spike proteins. *Annu. Rev. Virol.* **2016**, *3*, 237–261. [[CrossRef](#)] [[PubMed](#)]
4. Walls, A.C.; Tortorici, M.A.; Bosch, B.J.; Frenz, B.; Rottier, P.J.M.; DiMaio, F.; Rey, F.A.; Velesler, D. Cryo-electron microscopy structure of a coronavirus spike glycoprotein trimer. *Nature* **2016**, *531*, 114–117. [[CrossRef](#)]
5. Tortorici, M.A.; Velesler, D. Structural insights into coronavirus entry. *Adv. Virus Res.* **2019**, *105*, 93–116.
6. Glowacka, I.; Bertram, S.; Herzog, P.; Pfefferle, S.; Steffen, I.; Muench, M.O.; Simmons, G.; Hofmann, H.; Kuru, T.; Wever, F.; et al. Differential downregulation of ACE2 by the spike proteins of severe acute respiratory syndrome coronavirus and human coronavirus NL63. *J. Virol.* **2010**, *84*, 1198–1205. [[CrossRef](#)]
7. Li, F. Receptor recognition and cross-species infections of SARS coronavirus. *Antivir. Res.* **2013**, *100*, 246–254. [[CrossRef](#)] [[PubMed](#)]
8. Raj, V.S.; Mou, H.; Smits, S.; Dekkers, D.H.W.; Müller, M.A.; Dijkman, R.; Muth, D.; Demmers, J.A.A.; Zaki, A.; Fouchier, R.A.M.; et al. Dipeptidyl peptidase 4 is a functional receptor for the emerging human coronavirus-EMC. *Nature* **2013**, *495*, 251–254. [[CrossRef](#)]
9. Li, W.; Moore, M.J.; Vasileva, N.; Sui, J.; Kee Wong, S.; Berne, M.A.; Somasundaran, M.; Sullivan, J.L.; Luzuriaga, K.; Greenough, T.C.; et al. Angiotensin-converting enzyme 2 is a functional receptor for the SARS coronavirus. *Nature* **2003**, *426*, 450–454. [[CrossRef](#)]
10. Bosch, B.J.; van der Zee, R.; de Haan, C.A.M.; Rottier, P.J.M. The coronavirus spike protein is a class I virus fusion protein: Structural and functional characterization of the fusion core complex. *J. Virol.* **2003**, *77*, 8801–8811. [[CrossRef](#)] [[PubMed](#)]
11. Watanabe, Y.; Berndsen, Z.; Raghwan, J.; Seabright, G.; Allen, J.D.; Pybus, O.G.; McLellan, J.S.; Wilson, I.A.; Bowden, T.A.; Ward, A.B.; et al. Vulnerabilities in coronavirus glycan shields despite extensive glycosylation. *Nat. Commun.* **2020**, *11*, 2688. [[CrossRef](#)] [[PubMed](#)]
12. Shajahan, A.; Supekar, N.T.; Gleinich, A.S.; Azadi, P. Deducing the N- and O-glycosylation profile of the spike protein of novel coronavirus SARS-CoV-2. *Glycobiology* **2020**, *30*, 981–988. [[CrossRef](#)]
13. Keyaerts, E.; Vijgen, L.; Pannecouque, C.; Van Damme, E.; Peumans, W.; Egberink, H.; Balzarini, J.; Van Ranst, M. Plant lectins are potent inhibitors of coronaviruses by interfering with two targets in the viral replication cycle. *Antivir. Res.* **2007**, *75*, 179–187. [[CrossRef](#)]
14. Balzarini, J. Carbohydrate-binding agents: A potential future cornerstone for the chemotherapy of enveloped viruses? *Antivir. Chem. Chemother.* **2007**, *18*, 1–11. [[CrossRef](#)]
15. Barre, A.; Van Damme, E.J.M.; Simplicien, M.; Benoist, H.; Rougé, P. Man-specific, GalNAc/T-Tn-specific and Neu5Ac-specific seaweed lectins as glycan probes for the SARS-CoV-2 (COVID19) coronavirus. *Mar. Drugs* **2019**, *18*, 543.
16. Sohrab, S.S.; Suhail, M.; Kamal, M.A.; Ahmad, F.; Azhar, E.I. Emergence of human pathogenic coronaviruses: Lectins as antivirals for SARS-CoV-2. *Curr. Pharm. Des.* **2020**, *26*, 5286–5292. [[CrossRef](#)]
17. Kumar Gupta, R.; Apte, G.R.; Bharat Lokhande, K.; Mishra, S.; Pal, J.K. Carbohydrate-binding agents: Potential of repurposing for COVID-19 therapy. *Curr. Protein Pept. Sci.* **2020**, *21*, 1085–1096. [[CrossRef](#)]
18. Tsaneva, M.; Van Damme, E.J.M. 130 years of plant lectin research. *Glycoconj. J.* **2020**, *37*, 533–551. [[CrossRef](#)] [[PubMed](#)]
19. Liener, I.E.; Sharon, N.; Goldstein, I.J. *The Lectins, Properties, Functions, and Applications in Biology and Medicine*; Academic Press Inc.: Orlando, FL, USA; San Diego, CA, USA; New York, NY, USA; Austin, TX, USA, 1986; pp. 1–600.
20. Peumans, W.J.; Van Damme, E.J.M.; Barre, A.; Rougé, P. Classification of plant lectins in families of structurally and evolutionary related proteins. *Adv. Exp. Med. Biol.* **2001**, *491*, 27–54. [[PubMed](#)]
21. Debray, H.; Decout, D.; Strecker, G.; Spik, G.; Montreuil, J. Specificity of twelve lectins towards oligosaccharides and glycopeptides related to N-glycosylproteins. *Eur. J. Biochem.* **1981**, *117*, 41–55. [[CrossRef](#)]
22. Bourne, Y.; Anguille, C.; Fontecilla-Camps, J.C.; Rougé, P.; Cambillau, C. Co-crystallization and preliminary X-ray diffraction studies of *Lathyrus ochrus* isolectin I with di- and trisaccharides, and a biantennary octasaccharide. *J. Mol. Biol.* **1990**, *213*, 211–213. [[CrossRef](#)]
23. Barre, A.; Bourne, Y.; Van Damme, E.J.M.; Peumans, W.J.; Rougé, P. Mannose-binding plant lectins: Different structural scaffolds for a common sugar-recognition process. *FEBS Lett.* **2001**, *83*, 645–651. [[CrossRef](#)]
24. Akkouch, O.; Ng, T.B.; Singh, S.S.; Yin, C.; Dan, X.; Chan, Y.S.; Pan, W.; Cheung, R.C.F. Lectins with anti-HIV activity: A review. *Molecules* **2015**, *20*, 648–668. [[CrossRef](#)] [[PubMed](#)]

25. Levendosky, K.; Mizenina, O.; Martinelli, E.; Jean-Pierre, N.; Kizima, L.; Rodriguez, A.; Kleinbeck, K.; Bonnaire, T.; Robbiani, M.; Zydowsky, T.M.; et al. Griffithsin and carrageenan combination to target Herpes simplex virus 2 and human papilloma virus. *Antimicrob. Agents Chemother.* **2015**, *59*, 7290–7298. [[CrossRef](#)] [[PubMed](#)]
26. Meuleman, P.; Albecka, A.; Belouzard, S.; Vercauteren, K.; Verhoye, L.; Wychowski, C.; Leroux-Roels, G.; Palmer, K.E.; Dubuisson, G. Griffithsin has antiviral activity against hepatitis C virus. *Antimicrob. Agents Chemother.* **2011**, *55*, 5159–5167. [[CrossRef](#)]
27. Barton, C.; Kouokam, J.C.; Lasnik, A.B.; Foreman, O.; Cambon, A.; Brock, G.; Montefiori, D.C.; Vojdani, F.; McCormick, A.A.; O’Keefe, B.R.; et al. Activity of and effect of subcutaneous treatment with the broad-spectrum antiviral lectin griffithsin in two laboratory rodent models. *Antimicrob. Agents Chemother.* **2014**, *58*, 120–127. [[CrossRef](#)] [[PubMed](#)]
28. Mori, T.; O’Keefe, B.R.; Sowder, R.C., 2nd; Bringans, S.; Gardella, R.; Berg, S.; Cochran, P.; Turpin, J.A.; Buckheit, R.W., Jr.; McMahon, J.B.; et al. Isolation and characterization of griffithsin, a novel HIV-inactivating protein, from the red alga *Griffithsia* sp. *J. Biol. Chem.* **2005**, *280*, 9345–9353. [[CrossRef](#)]
29. Boyd, M.R.; Gustafson, K.R.; McMahon, J.B.; Shoemaker, R.H.; O’Keefe, B.R.; Mori, T.; Gulakowski, R.J.; Wu, L.; Rivera, M.I.; Laurencot, C.M.; et al. Discovery of cyanovirin-N, a novel human immunodeficiency virus-inactivating protein that binds viral surface envelope glycoprotein gp120: Potential applications to microbicide development. *Antimicrob. Agents Chemother.* **1997**, *41*, 1521–1530. [[CrossRef](#)]
30. Chiba, H.; Inokoshi, J.; Okamoto, M.; Asanuma, S.; Matsuzaki, K.I.; Iwama, M.; Mizumoto, K.; Tanaka, H.; Oheda, M.; Fujita, K.; et al. Actinohivin, a novel anti-HIV protein from actinomycete that inhibits syncytium formation: Isolation, characterization, and biological activities. *Biochem. Biophys. Res. Commun.* **2001**, *282*, 595–601. [[CrossRef](#)]
31. Huskens, D.; Férir, G.; Vermeire, K.; Kehr, J.-C.; Balzarini, J.; Dittmann, E.; Schols, D. Microvirin, a novel  $\alpha(1,2)$ -mannose-specific lectin isolated from *Microcystis aeruginosa*, has anti-HIV-1 activity comparable with that of cyanovirin-N but a much higher safety profile. *J. Biol. Chem.* **2010**, *285*, 24845–24854. [[CrossRef](#)]
32. Balzarini, J.; Schols, D.; Neyts, J.; Van Damme, E.; Peumans, W.; De Clercq, E.  $\alpha(1-3)$ - and  $\alpha(1-6)$ -D-mannose-specific plant lectins are markedly inhibitory to human immunodeficiency virus and cytomegalovirus infections in vitro. *Antimicrob. Agents Chemother.* **1991**, *35*, 410–416. [[CrossRef](#)]
33. Balzarini, J.; Neyts, J.; Schols, D.; Hosoya, M.; Van Damme, E.; Peumans, W.; De Clercq, E. The mannose-specific plant lectins from *Cymbidium* hybrid and *Epipactis helleborine* and the (N-acetylglucosamine)<sub>n</sub>-specific plant lectin from *Urtica dioica* are potent and selective inhibitors of human immunodeficiency virus and cytomegalovirus replication in vitro. *Antivir. Res.* **1992**, *18*, 191–207.
34. Balzarini, J.; Hatse, S.; Vermeire, K.; Princen, K.; Aquaro, S.; Perno, C.F.; De Clercq, E.; Egberink, H.; Vanden Mooter, G.; Peumans, W.; et al. Mannose-specific plant lectins from the Amaryllidaceae family qualify as efficient microbicides for prevention of human immunodeficiency virus infection. *Antimicrob. Agents Chemother.* **2004**, *48*, 3858–3870. [[CrossRef](#)] [[PubMed](#)]
35. Barre, A.; Simplicien, M.; Benoist, H.; Van Damme, E.J.M.; Rougé, P. Mannose-specific lectins from marine algae: Diverse structural scaffolds associated to common virucidal and anti-cancer properties. *Mar. Drugs* **2019**, *17*, 440. [[CrossRef](#)] [[PubMed](#)]
36. Alexandre, K.B.; Gray, E.S.; Lambson, B.E.; nMoore, P.L.; Choge, I.A.; Mlisana, K.; Karim, S.S.; McMahon, J.; O’Keefe, B.; Chikwamba, R.; et al. Mannose-rich glycosylation patterns on HIV-1 subtype C gp120 and sensitivity to lectins, griffithsin, cyanovirin-N and scytovirin. *Virology* **2010**, *402*, 187–196. [[CrossRef](#)]
37. Sato, Y.; Morimoto, K.; Kubo, T.; Sakaguchi, T.; Nishizono, A.; Hirayama, M.; Hori, K. Entry inhibition of influenza viruses with high mannose binding lectin ESA-2 from the red alga *Eucheuma serra* through the recognition of viral hemagglutinin. *Mar. Drugs* **2015**, *13*, 3454–3465. [[CrossRef](#)] [[PubMed](#)]
38. Wang, D.; Tang, G.; Tang, J.; Wang, L.-X. Targeting N-glycan cryptic sugar moieties for broad-spectrum virus neutralization: Progress in identifying conserved molecular targets in viruses of distinct phylogenetic origins. *Molecules* **2015**, *20*, 4610–4622. [[CrossRef](#)]
39. Mitchell, C.A.; Ramessar, K.; O’Keefe, B.R. Antiviral lectins: Selective inhibitors of viral entry. *Antivir. Res.* **2017**, *142*, 37–54. [[CrossRef](#)]
40. Gupta, A.; Gupta, G.S. Status of mannose-binding lectin (MBL) and complement system in COVID-19 patients and therapeutic applications of antiviral plant MBLs. *Mol. Cell Biochem.* **2021**, *21*, 1–26.
41. Animashaun, T.; Hughes, R.C. *Bowringia milbraedii* agglutinin. Specificity of binding to early processing intermediates of asparagine-linked oligosaccharide and use as a marker of endoplasmic reticulum glycoproteins. *J. Biol. Chem.* **1989**, *264*, 4657–4663. [[CrossRef](#)]
42. Souza Teixeira, C.; da Silva, H.C.; de Moura, T.R.; Pereira-Júnior, F.N.; do Nascimento, K.S.; Nagano, C.S.; Sampaio, A.H.; Delatorre, P.; Rocha, B.A.; Cavada, B.S. Crystal structure of the lectin of *Camptosema pedicellatum*: Implication of a conservative substitution at the hydrophobic subsite. *J. Biochem.* **2012**, *152*, 87–98. [[CrossRef](#)] [[PubMed](#)]
43. Agrawal, B.B.; Goldstein, I.J. Physical and chemical characterization of concanavalin A, the hemagglutinin from jack bean (*Canavalia ensiformis*). *Biochim. Biophys. Acta* **1967**, *133*, 376–379. [[CrossRef](#)]
44. Del Sol, F.G.; Cavada, B.S.; Calvete, J.J. Crystal structures of *Cratylia floribunda* seed lectin at acidic and basic pHs. Insights into the structural basis of the pH-dependent dimer-tetramer transition. *J. Struct. Biol.* **2007**, *158*, 1–9. [[CrossRef](#)] [[PubMed](#)]
45. Rocha, B.A.; Delatorre, P.; Oliveira, T.M.; Benevides, R.G.; Pires, A.F.; Sousa, A.A.; Souza, L.A.; Assreuy, A.M.; Debray, H.; de Azevedo, X.W.F.; et al. Structural basis for both pro- and anti-inflammatory response induced by mannose-specific legume lectin from *Cymbosema roseum*. *Biochimie* **2011**, *93*, 806–816. [[CrossRef](#)]



46. Rozwarski, D.A.; Swami, B.M.; Brewer, C.F.; Sacchetini, J.C. Crystal structure of the lectin from *Dioclea grandiflora* complexed with core trimannoside of asparagine-linked carbohydrates. *J. Biol. Chem.* **1998**, *273*, 32818–32825. [[CrossRef](#)] [[PubMed](#)]
47. Almeida, A.C.; Osterne, V.J.; Santiago, M.Q.; Pinto-Junior, V.R.; Silva-Filho, J.C.; Lossio, C.F.; Nascimento, F.L.; Almeida, R.P.; Teixeira, C.S.; Leal, R.B.; et al. Structural analysis of *Centrolobium tomentosum* seed lectin with inflammatory activity. *Arch. Biochem. Biophys.* **2016**, *596*, 73–83. [[CrossRef](#)] [[PubMed](#)]
48. Bourne, Y.; Abergel, C.; Cambillau, C.; Frey, M.; Rougé, P.; Fontecilla-Camps, J.C. X-ray crystal structure determination and refinement at 1.9 Å resolution of isolectin I from the seeds of *Lathyrus ochrus*. *J. Mol. Biol.* **1990**, *214*, 571–584. [[CrossRef](#)]
49. Foriers, A.; Van Driessche, E.; De Neve, R.; Kanarek, L.; Strosberg, A.D. The subunit structure and N-terminal sequences of the  $\alpha$ - and  $\beta$ -subunits of the lentil lectin (*Lens culinaris*). *FEBS Lett.* **1977**, *75*, 237–240. [[CrossRef](#)]
50. Gao, S.; An, J.; Wu, C.F.; Gu, Y.; Chen, F.; Yu, Y.; Wu, Q.Q.; Bao, J.K. Effect of amino acid residue and oligosaccharide chain chemical modifications on spectral and hemagglutinating activity of *Milletia dielsiana* Harms. ex Diels. lectin. *Acta Biochim. Biophys. Sin.* **2005**, *37*, 47–54. [[CrossRef](#)]
51. Young, N.M.; Williams, R.E.; Roy, C.; Yaguchi, M. Structural comparison of the lectin from sainfoin (*Onobrychis viciifolia*) with concanavalin A and other D-mannose specific lectins. *Can. J. Biochem.* **1982**, *60*, 933–941. [[CrossRef](#)]
52. Einspahr, H.; Pareks, E.H.; Suguna, K.; Subramanian, E.; Suddath, F.L. The crystal structure of pea lectin at 3.0-Å resolution. *J. Biol. Chem.* **1986**, *261*, 16518–16527. [[CrossRef](#)]
53. Cavada, B.S.; Araripe, D.A.; Silva, I.B.; Pinto-Junior, V.R.; Osterne, V.J.S.; Neco, A.H.B.; Laranjeira, E.P.P.; Lossio, C.F.; Correia, J.L.A.; Pires, A.F.; et al. Structural studies and nociceptive activity of a native lectin from *Platypodium elegans* seeds (nPELa). *Int. J. Biol. Macromol.* **2018**, *107*, 236–246. [[CrossRef](#)]
54. Pereira-Junior, F.N.; Silva, H.C.; Freitas, B.T.; Rocha, B.A.; Nascimento, K.S.; Nagano, C.S.; Leal, R.B.; Sampaio, A.H.; Cavada, B.S. Purification and characterization of a mannose/N-acetyl-D-glucosamine-specific lectin from the seeds of *Platymiscium floribundum* Vogel. *J. Mol. Recognit.* **2012**, *25*, 443–449. [[CrossRef](#)] [[PubMed](#)]
55. Loris, R.; Imberty, A.; Beeckmans, S.; Van Driessche, E.; Read, J.S.; Bouckaert, J.; De Greve, H.; Buts, L.; Wyns, L. Crystal structure of *Pterocarpus angolensis* lectin in complex with glucose, sucrose, and turanose. *J. Biol. Chem.* **2003**, *278*, 16297–16303. [[CrossRef](#)]
56. Naeem, A.; Ahmad, E.; Ashraf, M.T.; Khan, R.H. Purification and characterization of mannose/glucose-specific lectin from seeds of *Trigonella foenumgraecum*. *Biochemistry* **2007**, *72*, 44–48. [[CrossRef](#)] [[PubMed](#)]
57. Reeke, G.N., Jr.; Becker, J.W. Three-dimensional structure of favin: Saccharide binding-cyclic permutation in leguminous lectins. *Science* **1986**, *234*, 1108–1111. [[CrossRef](#)] [[PubMed](#)]
58. Chen, Y.; Peumans, W.J.; Hause, B.; Bras, J.; Kumar, M.; Proost, P.; Barre, A.; Rougé, P.; Van Damme, E.J.M. Jasmonic acid methyl ester induces the synthesis of a cytoplasmic/nuclear chito-oligosaccharide binding lectin in tobacco leaves. *FASEB J.* **2002**, *16*, 905–907. [[CrossRef](#)]
59. Van Damme, E.J.; Briké, F.; Winter, H.C.; Van Leuven, F.; Goldstein, I.J.; Peumans, W.J. Molecular cloning of two different mannose-binding lectins from tulip bulbs. *Eur. J. Biochem.* **1996**, *236*, 419–427. [[CrossRef](#)] [[PubMed](#)]
60. Meagher, J.L.; Winter, H.C.; Ezell, P.; Goldstein, I.J.; Stuckey, J.A. Crystal structure of banana lectin reveals a novel second sugar binding site. *Glycobiology* **2005**, *15*, 1033–1042. [[CrossRef](#)]
61. Bourne, Y.; Roig-Zamboni, V.; Barre, A.; Peumans, W.J.; Astoul, C.H.; Van Damme, E.J.; Rougé, P. The crystal structure of the *Calystegia sepium* agglutinin reveals a novel quaternary arrangement of lectin subunits with a  $\beta$ -prism fold. *J. Biol. Chem.* **2004**, *279*, 527–533. [[CrossRef](#)] [[PubMed](#)]
62. Nomura, K.; Ashida, H.; Uemura, N.; Kushibe, S.; Ozaki, T.; Yoshida, M. Purification and characterization of a mannose/glucose-specific lectin from *Castanea crenata*. *Phytochemistry* **1998**, *49*, 667–673. [[CrossRef](#)]
63. Nakamura-Tsuruta, S.; Uchiyama, N.; Peumans, W.J.; Van Damme, E.J.M.; Totani, K.; Ito, Y.; Hirabayashi, J. Analysis of the sugar-binding specificity of mannose-binding-type jacalin-related lectins by frontal affinity chromatography—An approach to functional classification. *FEBS J.* **2008**, *275*, 1227–1239. [[CrossRef](#)] [[PubMed](#)]
64. Azarkan, M.; Feller, G.; Vandenamee, J.; Herman, R.; El Mahyaoui, R.; Sauvage, E.; Vanden Broeck, A.; Matagne, A.; Charlier, P.; Kerff, F. Biochemical and structural characterization of a mannose-binding jacalin-related lectin with two-sugar binding sites from pineapple (*Anana comosus*) stem. *Sci. Rep.* **2018**, *8*, 11508. [[CrossRef](#)]
65. Misquith, S.; Rani, P.G.; Surolia, A. Carbohydrate binding specificity of the B-cell maturation mitogen from *Artocarpus integrifolia* seeds. *J. Biol. Chem.* **1994**, *269*, 30393–30401. [[CrossRef](#)]
66. Barre, A.; Peumans, W.J.; Rossignol, M.; Borderies, M.; Culerrier, R.; Van Damme, E.J.M.; Rougé, P. Artocarpin is a polyspecific jacalin-related lectin with a monosaccharide preference for mannose. *Biochimie* **2004**, *86*, 685–691. [[CrossRef](#)] [[PubMed](#)]
67. de Sousa, F.D.; Bezerra da Silva, B.; Pessoa Furtado, G.; de Sa Carneiro, I.; Lobo, M.D.P.; Guan, Y.; Guo, J.; Coker, A.R.; Lourenzoni, M.R.; Florindo Guedes, M.I.; et al. Frutapin, a lectin from *Artocarpus incisa* (breadfruit): Cloning, expression and molecular analysis. *Biosci. Rep.* **2017**, *37*, BSR20170969. [[CrossRef](#)]
68. Chang, W.C.; Liu, K.L.; Hsu, F.C.; Jeng, S.T.; Cheng, Y.S. Ipomoelin, a jacalin-related lectin with a compact tetrameric association and versatile carbohydrate binding properties regulated by its N terminus. *PLoS ONE* **2012**, *7*, e40618. [[CrossRef](#)]
69. Rabijns, A.; Barre, A.; Van Damme, E.J.M.; Peumans, W.J.; De Ranter, C.J.; Rougé, P. Structural analysis of the jacalin-related lectin Morniga-M from the black mulberry (*Morus nigra*) in complex with mannose. *FEBS J.* **2005**, *272*, 3725–3732. [[CrossRef](#)]



70. Mann, K.; Farias, C.M.; Del Sol, F.G.; Santos, C.F.; Grangeiro, T.B.; Nagano, C.S.; Cavada, B.S.; Calvete, J.J. The amino acid sequence of the glucose/mannose-specific lectin isolated from *Parkia platycephala* seeds reveals three tandemly arranged jacalin-related domains. *Eur. J. Biochem.* **2001**, *268*, 4414–4422. [[CrossRef](#)]
71. Bourne, Y.; Zamboni, V.; Barre, A.; Peumans, W.J.; Van Damme, E.J.; Rougé, P. *Helianthus tuberosus* lectin reveals a widespread scaffold for mannose-binding lectins. *Structure* **1999**, *7*, 1473–1482. [[CrossRef](#)]
72. Van Damme, E.J.; Smeets, K.; Torrekens, S.; van Leuven, F.; Goldstein, I.J.; Peumans, W.J. The closely related homomeric and heterodimeric mannose-binding lectins from garlic are encoded by one-domain and two-domain lectin genes, respectively. *Eur. J. Biochem.* **1992**, *206*, 413–420. [[CrossRef](#)] [[PubMed](#)]
73. Wu, C.-F.; An, J.; He, X.-J.; Deng, J.; Hong, Z.-X.; Liu, C.; Hong-Zhou, L.; Li, Y.-J.; Wang, C.-J.; Chen, F.; et al. Molecular cloning of a novel mannose-binding lectin gene from bulbs of *Amaryllis vittata* (Amaryllidaceae). *Acta Bot. Sin.* **2004**, *46*, 1301–1306.
74. Lin, J.; Zhou, X.; Pang, Y.; Gao, H.; Fei, J.; Shen, G.A.; Wang, J.; Li, X.; Sun, X.; Tang, K. Cloning and characterization of an agglutinin gene from *Arisaema lobatum*. *Biosci. Rep.* **2005**, *25*, 345–362. [[CrossRef](#)] [[PubMed](#)]
75. Van Damme, E.J.; Goossens, K.; Smeets, K.; Van Leuven, F.; Verhaert, P.; Peumans, W.J. The major tuber storage protein of Araceae species is a lectin. Characterization and molecular cloning of the lectin from *Arum maculatum* L. *Plant Physiol.* **1995**, *107*, 1147–1158. [[CrossRef](#)]
76. Xu, X.; Wu, C.; Liu, C.; Luo, Y.; Li, J.; Zhao, X.; Van Damme, E.; Bao, J. Purification and characterization of a mannose-binding lectin from the rhizomes of *Aspidistra elatior* Blume with antiproliferative activity. *Acta Biochim. Biophys. Sin.* **2007**, *39*, 507–519. [[CrossRef](#)] [[PubMed](#)]
77. Pereira, P.R.; Winter, H.C.; Vericimo, M.A.; Meagher, J.L.; Stekey, J.A.; Goldstein, I.J.; Paschoalin, V.M.; Silva, J.T. Structural analysis and binding properties of isoforms of tarin, the GNA-related lectin from *Colocasia esculenta*. *Biochim. Biophys. Acta* **2015**, *1854*, 20–30. [[CrossRef](#)]
78. Van Damme, E.J.; Smeets, K.; Torrekens, S.; Van Leuven, F.; Peumans, W.J. Characterization and molecular cloning of mannose-binding lectins from the Orchidaceae species *Listera ovata*, *Epipactis helleborine* and *Cymbidium hybrid*. *Eur. J. Biochem.* **1994**, *221*, 769–777. [[CrossRef](#)] [[PubMed](#)]
79. Chen, Z.; Sun, X.; Tang, K. Cloning and expression of a novel cDNA encoding a mannose-binding lectin from *Dendrobium officinale*. *Toxicon* **2005**, *45*, 535–540. [[CrossRef](#)]
80. Kaku, H.; Van Damme, E.J.; Peumans, W.J.; Goldstein, I.J. Carbohydrate-binding specificity of the daffodil (*Narcissus pseudonarcissus*) and amaryllis (*Hippeastrum hybr.*) bulb lectins. *Arch. Biochem. Biophys.* **1990**, *279*, 298–304. [[CrossRef](#)]
81. Liu, J.; Xu, X.; Liu, J.; Balzarini, J.; Luo, Y.; Kong, Y.; Li, J.; Chen, F.; Van Damme, E.J.; Bao, J. A novel tetrameric lectin from *Lycoris aurea* with four mannose binding sites per monomer. *Acta Biochim. Pol.* **2007**, *54*, 159–166. [[CrossRef](#)]
82. Nakagawa, Y.; Sakamoto, H.; Tatenno, H.; Hirabayashi, J.; Oguri, S. Purification, characterization, and molecular cloning of lectin from winter buds of *Lysichiton camtschaticensis* (L.) Schott. *Biosci. Biotechnol. Biochem.* **2012**, *76*, 25–33. [[CrossRef](#)] [[PubMed](#)]
83. Ooi, L.S.; Sun, S.S.; Ooi, V.E. Purification and characterization of a new antiviral protein from the leaves of *Pandanus amaryllifolius* (Pandanaeae). *Int. J. Biochem. Cell Biol.* **2004**, *36*, 1440–1446. [[CrossRef](#)]
84. Yao, J.H.; Zhao, X.Y.; Liao, Z.H.; Lin, J.; Chen, Z.H.; Chen, F.; Song, J.; Sun, X.F.; Tang, K.X. Cloning and molecular characterization of a novel lectin gene from *Pinellia ternata*. *Cell Res.* **2003**, *13*, 301–308. [[CrossRef](#)]
85. Van Damme, E.J.; Barre, A.; Rougé, P.; Van Leuven, F.; Balzarini, J.; Peumans, W.J. Molecular cloning of the lectin and a lectin-related protein from common Solomon's seal (*Polygonatum multiflorum*). *Plant Mol. Biol.* **1996**, *31*, 657–672. [[CrossRef](#)]
86. Ding, J.; Bao, J.; Zhu, D.; Zhang, Y.; Wang, D.C. Crystal structure of a novel anti-HIV mannose-binding lectin from *Polygonatum cyrtonema* Hua with unique ligand-binding property and super-structure. *J. Struct. Biol.* **2010**, *171*, 309–317. [[CrossRef](#)] [[PubMed](#)]
87. Shetty, K.N.; Bhat, G.G.; Inamdar, S.R.; Swamy, B.M.; Suguna, K. Crystal structure of a  $\beta$ -prism II lectin from *Remusatia vivipara*. *Glycobiology* **2012**, *22*, 56–69. [[CrossRef](#)] [[PubMed](#)]
88. Wright, L.M.; Wood, S.D.; Reynolds, C.D.; Rizkallah, P.J.; Peumans, W.J.; Van Damme, E.J.; Allen, A.K. Purification, crystallization and preliminary X-ray analysis of a mannose-binding lectin from bluebell (*Scilla campanulata*) bulbs. *Acta Crystallogr. D Biol. Crystallogr.* **1996**, *52*, 1021–1023. [[CrossRef](#)] [[PubMed](#)]
89. Ooi, L.S.; Sun, S.S.; Wang, H.; Ooi, V.E. New mannose-binding lectin isolated from the rhizome of *Sarsaparilla Smilax glabra* Roxb. (Liliaceae). *J. Agric. Food Chem.* **2004**, *52*, 6091–6095. [[CrossRef](#)]
90. Luo, Y.; Xu, X.; Liu, J.; Li, J.; Sun, Y.; Liu, Z.; Liu, J.; Van Damme, E.; Balzarini, J.; Bao, J. A novel mannose-binding tuber lectin from *Typhonium divaricatum* (L.) Decne (family Araceae) with antiviral activity against HSV-II and anti-proliferative effect on human cancer cell lines. *J. Biochem. Mol. Biol.* **2007**, *40*, 358–367. [[CrossRef](#)] [[PubMed](#)]
91. Chen, Z.; Pang, Y.; Liu, X.; Wang, X.; Deng, Z.; Sun, X.; Tang, K. Molecular cloning and characterization of a novel mannose-binding lectin cDNA from *Zantedeschia aethiopica*. *Biocell* **2005**, *29*, 187–193. [[CrossRef](#)]
92. Koike, T.; Titani, K.; Suzuki, M.; Beppu, H.; Kuzuya, H.; Maruta, K.; Shimpo, K.; Fujita, K. The complete amino acid sequence of a mannose-binding lectin from “Kidachi Aloe” (*Aloe arborescens* Miller var. *natalensis* Berger). *Biochem. Biophys. Res. Commun.* **1995**, *214*, 163–170. [[CrossRef](#)] [[PubMed](#)]
93. Van Damme, E.J.; Astoul, C.H.; Barre, A.; Rougé, P.; Peumans, W.J. Cloning and characterization of a monocot mannose-binding lectin from *Crocus vernus* (family Iridaceae). *Eur. J. Biochem.* **2000**, *267*, 5067–5077. [[CrossRef](#)] [[PubMed](#)]
94. Van Damme, E.J.; Kaku, H.; Perini, F.; Goldstein, I.J.; Peeters, B.; Yagi, F.; Decock, B.; Peumans, W.J. Biosynthesis, primary structure and molecular cloning of snowdrop (*Galanthus nivalis* L.) lectin. *Eur. J. Biochem.* **1991**, *202*, 23–30. [[CrossRef](#)]

95. Wu, C.-F.; Li, J.; An, J.; Chang, L.-Q.; Che, F.; Bao, J.-K. Purification, biological activities, and molecular cloning of a novel mannose-binding lectin from bulbs of *Zephyranthes candida* herb (Amaryllidaceae). *J. Integr. Plant Biol.* **2006**, *48*, 223–231. [[CrossRef](#)]
96. Lannoo, N.; Peumans, W.J.; Van Pamel, E.V.; Alvarez, R.; Xiong, T.C.; Hause, G.; Mazars, C.; Van Damme, E.J. Localization and in vitro binding studies suggest that the cytoplasmic/nuclear tobacco lectin can interact with high-mannose and complex N-glycans. *FEBS Lett.* **2006**, *580*, 6329–6337. [[CrossRef](#)] [[PubMed](#)]
97. Hao, Q.; Van Damme, E.J.; Hause, B.; Barre, A.; Chen, Y.; Rougé, P.; Peumans, W.J. Iris bulbs express type 1 and type 2 ribosome-inactivating proteins with unusual properties. *Plant Physiol.* **2001**, *125*, 866–876. [[CrossRef](#)]
98. Schouppe, D.; Rougé, P.; Lasanajak, Y.; Barre, A.; Smith, D.F.; Proost, P.; Van Damme, E.J.M. Mutational analysis of the carbohydrate binding activity of the tobacco lectin. *Glycoconj. J.* **2010**, *27*, 613–623. [[CrossRef](#)] [[PubMed](#)]
99. Peumans, W.J.; Barre, A.; Bras, J.; Rougé, P.; Proost, P.; Van Damme, E.J. The liverwort contains a lectin that is structurally and evolutionary related to the monocot mannose-binding lectins. *Plant Physiol.* **2002**, *129*, 1054–1065. [[CrossRef](#)] [[PubMed](#)]
100. Yamasaki, K.; Yamasaki, T.; Tateno, H. The trimeric solution structure and fucose-binding mechanism of the core fucosylation-specific lectin PhoSL. *Sci. Rep.* **2018**, *8*, 7740. [[CrossRef](#)] [[PubMed](#)]
101. Tateno, H.; Winter, H.C.; Petryniak, J.; Goldstein, I.J. Purification, characterization, molecular cloning, and expression of novel members of jacalin-related lectins from rhizomes of the true fern *Phlebodium aureum* (L.) J. Smith (Polypodiaceae). *J. Biol. Chem.* **2003**, *278*, 10891–10899. [[CrossRef](#)]
102. Yagi, F.; Iwaya, T.; Haraguchi, T.; Goldstein, I.J. The lectin from leaves of Japanese cycad, *Cycas revoluta* Thunb. (gymnosperm) is a member of the jacalin-related family. *Eur. J. Biochem.* **2002**, *269*, 4335–4341. [[CrossRef](#)] [[PubMed](#)]
103. Miyakawa, T.; Hatano, K.; Miyauchi, Y.; Suwa, Y.; Sawano, Y.; Tanokura, M. A secreted protein with plant-specific cysteine-rich motif functions as a mannose-binding lectin that exhibits antifungal activity. *Plant Physiol.* **2014**, *166*, 766–778. [[CrossRef](#)]
104. Francis, F.; Jaber, K.; Colinet, F.; Portetelle, D.; Haubruge, E. Purification of a new mannose-specific lectin from *Penicillium chrysogenum* and its aphicidal properties. *Fungal Biol.* **2011**, *115*, 1093–1099. [[CrossRef](#)]
105. Goossens, K.V.Y.; Ielasi, F.S.; Nookaew, I.; Stals, I.; Alonso-Sarduy, L.; Daenen, L.; Van Mulders, S.E.; Stassen, C.; van Eijsden, R.G.E.; Siewers, V.; et al. Molecular mechanism of flocculation self-recognition in yeast and its role in mating and survival. *mBio* **2015**, *6*, e00427-15. [[CrossRef](#)] [[PubMed](#)]
106. Veelders, M.; Brückner, S.; Ott, D.; Unverzagt, C.; Mösch, H.U.; Essen, L.O. Structural basis of flocculin-mediated social behavior in yeast. *Proc. Natl. Acad. Sci. USA* **2010**, *107*, 22511–22516. [[CrossRef](#)] [[PubMed](#)]
107. Rachmawati, H.; Sundari, S.; Nabila, N.; Tandrasasmita, O.M.; Amalia, R.; Siahaan, T.J.; Tjandrawinata, R.T.; Ismaya, W. Orf239342 from the mushroom *Agaricus bisporus* is a mannose binding protein. *Biochem. Biophys. Res. Commun.* **2019**, *515*, 99–103. [[CrossRef](#)]
108. Suzuki, T.; Sugiyama, K.; Hirai, H.; Ito, H.; Morita, T.; Dohra, H.; Murata, T.; Usui, T.; Tateno, H.; Hirabayashi, J.; et al. Mannose-specific lectin from the mushroom *Hygrophorus russula*. *Glycobiology* **2012**, *22*, 616–629. [[CrossRef](#)]
109. Wohlschlager, T.; Titz, A.; Künzler, M.; Varrot, A. Expression, purification, and functional characterization of tectonin 2 from *Laccaria bicolor*: A six-bladed b-propeller lectin specific for O-methylated glycans. *Methods Mol. Biol.* **2020**, *2132*, 669–682. [[PubMed](#)]
110. Sommer, R.; Makshakova, O.N.; Wohlschlager, T.; Hutin, S.; Marsh, M.; Titz, A.; Künzler, M.; Varrot, A. Crystal structure of fungal tectonin in complex with O-methylated glycans suggest key role in innate immune defense. *Structure* **2018**, *26*, 391–402. [[CrossRef](#)]
111. Shimokawa, M.; Fukudome, A.; Yamashita, R.; Minami, Y.; Yagi, F.; Tateno, H.; Hirabayashi, J. Characterization and cloning of GNA-like lectin from the mushroom *Marasmius oreades*. *Glycoconj. J.* **2012**, *29*, 457–465. [[CrossRef](#)]
112. Koharudin, L.M.; Viscomi, A.R.; Jee, J.G.; Ottonello, S.; Gronenborn, A.M. The evolutionary conserved family of cyanovirin-N homologs: Structures and carbohydrate specificity. *Structure* **2008**, *16*, 570–584. [[CrossRef](#)] [[PubMed](#)]
113. Chaves, R.P.; da Silva, S.R.; Nascimento Neto, L.G.; Carneiro, R.F.; Coelho da Silva, A.L.; Sampaio, A.H.; Lopes de Sousa, B.; Cabral, M.G.; Videira, P.A.; Teixeira, E.H.; et al. Structural characterization of two isolectins from the marine red alga *Solieria filiformis* (Kützinger) P.W. Gabrielson and their anticancer effect on MCF-7 breast cancer cells. *Int. J. Biol. Macromol.* **2018**, *107*, 1320–1329. [[CrossRef](#)] [[PubMed](#)]
114. Kawakubo, A.; Makino, H.; Ohnishi, J.; Hirohara, H.; Kanji, H. Occurrence of highly yielded lectins homologous within genus *Eucheuma*. *J. Appl. Phycol.* **1999**, *11*, 149–156. [[CrossRef](#)]
115. Sato, Y.; Morimoto, K.; Hirayama, M.; Hori, K. High mannose-specific lectin (KAA-2) from the red alga *Kappaphycus alvarezii* potently inhibits influenza virus infection in a strain-independent manner. *Biochem. Biophys. Res. Commun.* **2011**, *405*, 291–296. [[CrossRef](#)] [[PubMed](#)]
116. Hung, L.D.; Sato, Y.; Hori, K. High-mannose N-glycan-specific lectin from the red alga *Kappaphycus striatum* (Carrageenophyte). *Phytochemistry* **2011**, *72*, 855–861. [[CrossRef](#)]
117. Chaves, R.P.; da Silva, S.R.; da Silva, J.P.F.A.; Carneiro, R.F.; de Sousa, B.L.; Abreu, J.O.; de Carvalho, F.C.T.; Rocha, C.R.C.; Farias, W.R.L.; de Sousa, O.V.; et al. *Meristiella echinocarpa* lectin (MEL): A new member of the OAAH-lectin family. *J. Appl. Phycol.* **2018**, *30*, 2629–2638. [[CrossRef](#)]
118. Van Holle, S.; Van Damme, E.J.M. Messages from the past: New insights in plant lectin evolution. *Front. Plant Sci.* **2019**, *10*, 36. [[CrossRef](#)]

119. Suttisrisung, S.; Senapin, S.; Withyachumnarnkul, B.; Wongprasert, K. Identification and characterization of a novel legume-like lectin cDNA sequence from the red marine algae *Gracilaria fisheri*. *J. Biosci.* **2011**, *36*, 833–843. [[CrossRef](#)]
120. Hori, K.; Miyazawa, K.; Ito, K. Isolation and characterization of glycoconjugate-specific isoagglutinins from a marine green alga *Boodlea coacta* (Dickie) Murray et De Toni. *Bot. Mar.* **1986**, *XXIX*, 323–328. [[CrossRef](#)]
121. Sato, Y.; Hirayama, M.; Morimoto, K.; Yamamoto, N.; Okuyama, S.; Hori, K. High-mannose-binding lectin with preference for the cluster of  $\alpha$ 1-2-mannose from the green alga *Boodlea coacta* is a potent entry inhibitor of HIV-1 and influenza viruses. *J. Biol. Chem.* **2011**, *286*, 19446–19458. [[CrossRef](#)]
122. Derelle, E.; Ferraz, C.; Rombauts, S.; Rouze, P.; Worden, A.Z.; Robbens, S.; Partensky, F.; Degroeve, S.; Echeynie, S.; Cooke, R.; et al. Genome analysis of the smallest free-living eukaryote *Ostreococcus tauri* unveils many unique features. *Proc. Natl. Acad. Sci. USA* **2006**, *103*, 11647–11652. [[CrossRef](#)] [[PubMed](#)]
123. Mu, J.; Hirayama, M.; Sato, Y.; Morimoto, K.; Hori, K. A novel high-mannose specific lectin from the green alga *Halimeda renschii* exhibits a potent anti-influenza virus activity through high-affinity binding to the viral hemagglutinin. *Mar. Drugs* **2017**, *15*, 255. [[CrossRef](#)] [[PubMed](#)]
124. Ambrosio, A.L.; Sanz, L.; Sánchez, E.L.; Wolfenstein-Todel, C.; Calvete, J.J. Isolation of two novel mannan- and L-fucose-binding lectins from the green alga *Enteromorpha prolifera*: Biochemical characterization of EPL-2. *Arch. Biochem. Biophys.* **2003**, *415*, 245–250. [[CrossRef](#)]
125. Hwang, H.J.; Han, J.W.; Jeon, H.; Han, J.W. Induction of recombinant lectin expression by an artificially constructed tandem repeat structure: A case study using *Bryopsis plumosa* mannose-binding lectin. *Biomolecules* **2018**, *8*, 146. [[CrossRef](#)]
126. Corteggiani Carpinelli, E.; Telatin, A.; Vitulo, N.; Forcato, C.; D'Angelo, M.; Schiavon, R.; Vezzi, A.; Giacometti, G.M.; Morosinotto, T.; Valle, G. Chromosome scale genome assembly and transcriptome profiling of *Nannochloropsis gaditana* in nitrogen depletion. *Mol. Plant* **2014**, *7*, 325–335. [[CrossRef](#)] [[PubMed](#)]
127. Bewley, C.A.; Cai, M.; Ray, S.; Ghirlando, R.; Yamaguchi, M.; Muramoto, K. New carbohydrate specificity and HIV-1 fusion blocking activity of the cyanobacterial protein MVL: NMR, ITC and sedimentation equilibrium studies. *J. Mol. Biol.* **2004**, *339*, 901–914. [[CrossRef](#)]
128. Sato, Y.; Okuyama, S.; Hori, K. Primary structure and carbohydrate binding specificity of a potent anti-HIV lectin isolated from the filamentous cyanobacterium, *Oscillatoria agardhii*. *J. Biol. Chem.* **2007**, *282*, 11021–11029. [[CrossRef](#)]
129. Bokesch, H.R.; O'Keefe, B.R.; McKee, T.C.; Pannell, L.K.; Patterson, G.M.; Gardella, R.S.; Sowder, R.C.; Turmin, J.; Watson, K.; Buckheit, R.W., Jr.; et al. A potent novel anti-HIV protein from the cultured cyanobacterium *Scytonema varium*. *Biochemistry* **2003**, *42*, 2578–2584. [[CrossRef](#)]
130. Hori, K.; Sato, Y.; Ito, K.; Fujiwara, Y.; Iwamoto, Y.; Makino, H.; Kawakubo, A. Strict specificity for high-mannose type N-glycans and primary structure of a red alga *Eucheuma serrata* lectin. *Glycobiology* **2007**, *17*, 479–491. [[CrossRef](#)]
131. Wang, P.; Liu, L.; Iketani, S.; Luo, Y.; Guo, Y.; Wang, M.; Yu, J.; Zhang, B.; Kwong, P.D.; Graham, B.S.; et al. Increased resistance of SARS-CoV-2 variants B.1.351 and B.1.1.7 to antibody neutralization. *Cell Host Microbe* **2021**, *29*, 1–5. [[CrossRef](#)]
132. van der Meer, F.J.U.M.; de Haan, C.A.M.; Schuurman, N.M.P.; Haijema, B.J.; Peumans, W.J.; Van Damme, E.J.M.; Delputte, P.L.; Balzarini, J.; Egberink, H.F. Antiviral activity of carbohydrate-binding agents against Nidovirales in cell cultures. *Antivir. Res.* **2007**, *76*, 21–29. [[CrossRef](#)]
133. Liu, Y.-M.; Shahed-Al-Mahmud, M.; Chen, X.; Chen, T.-H.; Liao, K.-S.; Lo, J.M.; Wu, Y.-M.; Ho, M.-C.; Wu, C.-Y.; Wong, C.-H.; et al. A carbohydrate-binding protein from the edible lablab beans effectively blocks the infections of influenza viruses and SARS-CoV-2. *Cell Rep.* **2020**, *32*, 108016. [[CrossRef](#)] [[PubMed](#)]
134. Debray, H.; Rougé, P.; Debray, H.; Rougé, P. The fine sugar specificity of the *Lathyrus ochrus* seed lectin and isolectins. *FEBS Lett.* **1994**, *176*, 120–124. [[CrossRef](#)]
135. Bourne, Y.; Mazurier, J.; Legrand, D.; Rougé, P.; Montreuil, J.; Spik, G.; Cambillau, C. Structure of a legume lectin complexed with the human lactotransferrin N2 fragment, and with an isolated biantennary glycopeptide: Role of the fucose moiety. *Structure* **1994**, *2*, 209–219. [[CrossRef](#)]
136. Ziółkowska, N.E.; O'Keefe, B.R.; Mori, T.; Zhu, C.; Giomarelli, B.; Vojdani, F.; Palmer, K.E.; McMahon, J.B.; Wlodawer, A. Domain-swapped structure of the potent antiviral protein griffithsin and its mode of carbohydrate binding. *Structure* **2006**, *14*, 1127–1135. [[CrossRef](#)] [[PubMed](#)]
137. O'Keefe, B.R.; Giomarelli, B.; Barnard, D.L.; Shenoy, S.R.; Chan, P.K.; McMahon, J.B.; Palmer, K.E.; Barnett, B.W.; Meyerholz, D.K.; Vohlford-Lenane, C.L.; et al. Broad-spectrum in vitro activity and in vivo efficacy of the antiviral protein griffithsin against emerging viruses of the family Coronaviridae. *J. Virol.* **2010**, *84*, 2511–2521. [[CrossRef](#)] [[PubMed](#)]
138. Millet, J.K.; Séron, K.; Labitt, R.N.; Danneels, A.; Palmer, K.E.; Whittaker, G.R.; Dubuisson, J.; Belouzard, S. Middle East respiratory syndrome coronavirus infection is inhibited by griffithsin. *Antivir. Res.* **2016**, *133*, 1–8. [[CrossRef](#)]
139. Rahimi, N. C-type lectin CD209L/L-SIGN and CD209/DC-SIGN; Cell adhesion molecules turned to pathogen recognition receptors. *Biology* **2020**, *10*, 1. [[CrossRef](#)] [[PubMed](#)]
140. Roehrich, H.; Yuan, C.; Hou, J.H. Immunohistochemical study of SARS-CoV-2 viral entry factors in the cornea and ocular surface. *Cornea* **2020**, *39*, 1556–1562. [[CrossRef](#)] [[PubMed](#)]
141. Lenza, M.P.; Oyenarte, I.; Diercks, T.; Quintana, J.I.; Gimeno, A.; Coelho, H.; Diniz, A.; Peccati, F.; Delgado, S.; Bosch, A.; et al. Structural characterization of the N-linked glycans in the receptor binding domain of the SARS-CoV-2 spike protein and their interactions with human lectins using NMR spectroscopy. *Angew. Chem. Int. Ed.* **2020**, *59*, 23763–23771. [[CrossRef](#)] [[PubMed](#)]



142. Caniglia, J.L.; Guda, M.R.; Asuthkar, S.; Tsung, A.J.; Velpula, K.K. A potential role for galectin-3 inhibitors in the treatment of COVID-19. *PeerJ* **2020**, *8*, e9392. [[CrossRef](#)] [[PubMed](#)]
143. van der Meer, F.J.U.M.; de Haan, C.A.M.; Schuurman, N.M.P.; Haijema, B.J.; Verheije, M.H.; Bosch, B.J.; Balzarini, J.; Egberink, H.F. The carbohydrate-binding plant lectins and the non-peptidic antibiotic pradimicin a target the glycans of the coronavirus envelope glycoproteins. *J. Antimicrob. Chemother.* **2007**, *60*, 741–749. [[CrossRef](#)]
144. Casalino, L.; Gaieb, Z.; Goldsmith, J.A.; Hjorth, C.K.; Dommer, A.C.; Harbison, A.M.; Fogarty, C.A.; Barros, E.P.; Taylor, B.C.; McLellan, J.S.; et al. Beyond shielding: The roles of glycans in SARS-CoV-2 spike protein. *ACS Cent. Sci.* **2020**, *6*, 1722–1734. [[CrossRef](#)]
145. O’Keefe, B.R.; Vojdani, F.; Buffa, V.; Shattock, R.J.; Montefiori, D.C.; Bakke, J.; Mirsalis, J.; d’Andrea, A.L.; Hume, S.D.; Bratcher, B.; et al. Scaleable manufacture of HIV-1 entry inhibitor griffithsin and validation of its safety and efficacy as a topical microbicide component. *Proc. Natl. Acad. Sci. USA* **2009**, *106*, 6099–6104. [[CrossRef](#)]
146. Leblanc, J.-F.; Germain, M.; Delage, G.; O’Brien, S.; Drews, S.J.; Lewin, A. Risk of transmission of severe acute respiratory syndrome coronavirus 2 by transfusion: A literature review. *Transfusion* **2020**, *60*, 3046–3054. [[CrossRef](#)] [[PubMed](#)]
147. Gausson, A.; Hornby, L.; Rockl, G.; O’Brien, S.; Delage, G.; Sapir-Pichhadze, R.; Drews, S.J.; Weiss, M.J.; Lewin, A. Evidence of SARS-CoV-2 infection in cells, tissues and organs and the risk of transmission through transplantation. *Transplantation* **2021**, *105*, 1405–1422. [[CrossRef](#)]
148. Koch, B.; Schult-Dietrich, P.; Büttner, S.; Dilmaghani, B.; Lohmann, D.; Baer, P.C.; Dietrich, U.; Geiger, H. Lectin affinity plasmapheresis for middle east respiratory syndrome-coronavirus and Marburg virus glycoprotein elimination. *Blood Purif.* **2018**, *46*, 126–133. [[CrossRef](#)] [[PubMed](#)]
149. Decaro, N.; Lorusso, A. Novel human coronavirus (SARS-CoV-2): A lesson from animal coronaviruses. *Vet. Microbiol.* **2020**, *244*, 108693. [[CrossRef](#)]
150. Krieger, E.; Koraimann, G.; Vriend, G. Increasing the precision of comparative models with YASARA NOVA—A self-parametrizing force field. *Proteins* **2002**, *47*, 393–402. [[CrossRef](#)]
151. Berman, H.M.; Westbrook, J.; Feng, Z.; Gilliland, G.; Bhat, T.N.; Weissig, H.; Shindyalov, N.; Bourne, P.E. The protein data bank. *Nucleic Acids Res.* **2000**, *28*, 235–242. [[CrossRef](#)]
152. Laskowski, R.A.; MacArthur, M.W.; Moss, D.S.; Thornton, J.M. PROCHECK: A program to check the stereochemistry of protein structures. *J. Appl. Crystallogr.* **1993**, *126*, 283–291. [[CrossRef](#)]
153. Melo, F.; Feytmans, E. Assessing protein structures with a non-local atomic interaction energy. *J. Mol. Biol.* **1998**, *277*, 1141–1152. [[CrossRef](#)] [[PubMed](#)]
154. Benkert, P.; Biasini, M.; Schwede, T. Toward the estimation of the absolute quality of individual protein structure models. *Bioinformatics* **2011**, *27*, 343–350. [[CrossRef](#)] [[PubMed](#)]
155. Arnold, K.; Bordoli, L.; Kopp, J.; Schwede, T. The SWISS-MODEL workspace: A web-based environment for protein structure homology modelling. *Bioinformatics* **2006**, *22*, 195–201. [[CrossRef](#)] [[PubMed](#)]
156. Grosdidier, A.; Zoete, V.; Michielin, O. SwissDock, a protein-small molecule docking web service based on EADock DSS. *Nucleic Acids Res.* **2011**, *39*, W270–W277. [[CrossRef](#)]
157. Grosdidier, A.; Zoete, V.; Michielin, O. Fast docking using the CHARMM force field with EADock DSS. *J. Comput. Chem.* **2011**, *32*, 2149–2159. [[CrossRef](#)] [[PubMed](#)]
158. Pettersen, E.F.; Goddard, T.D.; Huang, C.C.; Couch, G.S.; Greenblatt, D.M.; Meng, E.C.; Ferrin, T.E. UCSF Chimera—A visualization system for exploratory research and analysis. *J. Comput. Chem.* **2004**, *25*, 1605–1612. [[CrossRef](#)]
159. Böhm, M.; Böhne-Lang, A.; Frank, M.; Loss, A.; Rojas-Macias, M.A.; Lütke, T. Glycosciences.DB: An annotated data collection linking glycomics and proteomics data (2018 update). *Nucleic Acids Res.* **2019**, *47*, D1195–D1201. [[CrossRef](#)]
160. Cheng, K.; Zhou, Y.; Neelamegham, S. DrawGlycan-SNFG: A robust tool to render glycans and glycopeptides with fragmentation information. *Glycobiology* **2017**, *27*, 200–205. [[CrossRef](#)]
161. Kumaki, Y.; Wandersee, M.K.; Smith, A.J.; Zhou, Y.; Simmons, G.; Nelson, N.M.; Bailey, K.W.; Vest, Z.G.; Li, J.K.-K.; Kay-Sheung Chan, P.; et al. Inhibition of severe acute respiratory syndrome coronavirus replication in a lethal SARS-CoV BALB/c mouse model by stinging nettle lectin, *Urtica dioica* agglutinin. *Antivir. Res.* **2011**, *90*, 22–32. [[CrossRef](#)]
162. Gordts, S.C.; Renders, M.; Féris, G.; Huskens, D.; Van Damme, E.J.M.; Peumans, W.J.; Balzarini, J.; Schols, D. NICTABA and UDA, two GlcNAc-binding lectins with unique antiviral activity profiles. *J. Antimicrob. Chemother.* **2015**, *70*, 1674–1685. [[CrossRef](#)] [[PubMed](#)]