



**HAL**  
open science

## Marine Current Turbine System Post-Fault Behavior under an Open Circuit Fault

Sana Toumi, Elhoussin Elbouchikhi, Yassine Amirat, Mohamed Trabelsi,  
Mohamed Benbouzid, Mohamed Faouzi Mimouni

► **To cite this version:**

Sana Toumi, Elhoussin Elbouchikhi, Yassine Amirat, Mohamed Trabelsi, Mohamed Benbouzid, et al.. Marine Current Turbine System Post-Fault Behavior under an Open Circuit Fault. *Advances in Electrical and Electronic Engineering*, 2018, 16 (3), 10.15598/aeee.v16i3.2839 . hal-03412882

**HAL Id: hal-03412882**

**<https://hal.science/hal-03412882>**

Submitted on 15 Apr 2024

**HAL** is a multi-disciplinary open access archive for the deposit and dissemination of scientific research documents, whether they are published or not. The documents may come from teaching and research institutions in France or abroad, or from public or private research centers.

L'archive ouverte pluridisciplinaire **HAL**, est destinée au dépôt et à la diffusion de documents scientifiques de niveau recherche, publiés ou non, émanant des établissements d'enseignement et de recherche français ou étrangers, des laboratoires publics ou privés.

# MARINE CURRENT TURBINE SYSTEM POST-FAULT BEHAVIOR UNDER AN OPEN CIRCUIT FAULT

Sana TOUMI<sup>1,2</sup>, Elhoussin ELBOUCHIKHI<sup>3</sup>, Yassine AMIRAT<sup>3</sup>, Mohamed TRABELSI<sup>1</sup>,  
Mohamed BENBOUZID<sup>2,4</sup>, Mohamed Faouzi MIMOUNI<sup>5</sup>

<sup>1</sup>Department of Electrical Engineering, National Engineering School of Sousse,  
University of Sousse, Sahloul 4, BP 526 Sousse, Tunisia

<sup>2</sup>Department of Electrical Engineering, UMR CNRS 6027 IRDL, University of Brest,  
Rue de Kergoat-CS 93837, 29238 Brest, France

<sup>3</sup>Department of Electrical Engineering, ISEN Yncrea Ouest Brest, UMR CNRS 6027 IRDL,  
University of Brest, Rue Cuirasse Bretagne, 29200 Brest, France

<sup>4</sup>Department of Electrical Engineering, Shanghai Maritime University,  
Shanghai Maritime University, 201306 Shanghai, China

<sup>5</sup>Department of Electrical Engineering, National Engineering School of Monastir, UR ESIER,  
University of Monastir, Rue Ibn El Jazzar, 5000 Monastir, Tunisia

sanaatoumii@gmail.com, Mohamed.Benbouzid@univ-brest.fr, elhoussin.elbouchikhi@isen-ouest.yncrea.fr,  
yassine.amirat@isen-ouest.yncrea.fr, Mfaouzi.mimouni@enim.rnu.tn

DOI: 10.15598/aece.v16i3.2839

**Abstract.** *This paper describes the modeling and simulation of a Permanent Magnet Synchronous Generator (PMSG) based Marine Current Turbine (MCT) under converter faulty conditions. The modeling of the generator is represented in the d-q reference frame. The Proportional Integral (PI) controllers are used for the direct current, the quadratic current, and the speed Control. The faulty mode describes an open-circuit fault in the generator-side converter. Simulations results show that the dynamic performances and the power generation of the MCT are highly degraded due to the fault.*

## Keywords

*Generator-side converter, marine current turbine, MPPT, open-circuit fault, permanent magnet synchronous generator, PI control.*

## 1. Introduction

Nowadays, new renewable resources are developed such as wave energy, thermal energy, and marine tidal energy. In fact, the production of electric power from marine tidal energy is interesting; 48 % is in the UK, 8 % in Ireland, and 42 % in France [1].

However, marine current turbine systems are exposed to ecological constraints because of the severe weather conditions (immersed systems). Due to these constraints, the performance of the MCT system can be degraded [2] and [3]. That leads to several faults, which can be related to the PMSG, to the blades, and to the converters [4] and [5]. Indeed, industrial surveys have shown that 70 % of converter faults are related to the switches.

This paper describes the modeling of the MCT system under switches fault conditions (open circuit fault). The control of the MCT system is achieved by using the Maximum Power Point Tracking (MPPT) to extract the optimal power and the PI controllers are designed to control the dq-axis currents and the speed.

This paper is composed as follows: in Sec. 2, the MCT system modeling is given. In Sec. 3, MCT system control is developed. In Sec. 4, post-fault behavior of the generator-side converter and performance evaluation are analyzed. Section 5. gives the conclusion.

## 2. Marine Current Turbine Modeling

Figure 1 represents the MCT basic structure. It contains the turbine, the PMSG, the three-phase converter and the DC-bus.

### 2.1. Resource Description

The gravitational interaction of Moon, Earth, and Sun creates the marine currents [6]. Marine currents are resulted about 32 % from the Sun and 68 % from the Moon.

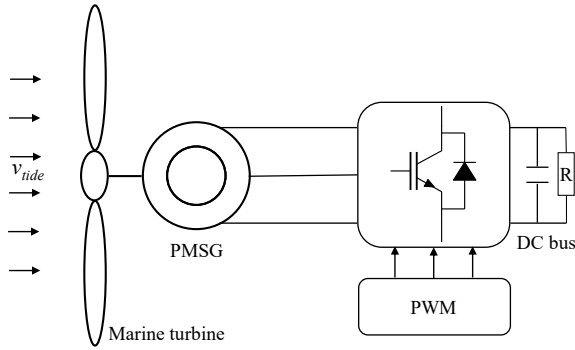


Fig. 1: Marine current turbine basic structure.

In fact, this interaction makes the ocean swell on different places. This fact makes an increase of the altitude of the water in the aligned places with the moon and a decrease in the level of the water between those two places. A horizontal movement is resulted from the increase in water level; this movement is called tidal current.

### 2.2. Marine Turbine Model

A marine turbine mechanical power is given by Eq. (1) [7].

$$P_m = \frac{1}{2} C_p(\lambda, \beta) \rho \pi r^2 v_t^3, \quad (1)$$

where  $\rho$  is the fluid density in  $(\text{kg}\cdot\text{m}^{-3})$ ,  $r$  is the turbine radius in (m),  $v_t$  is the tidal velocity in  $(\text{m}\cdot\text{s}^{-1})$ ,  $C_p$  represents the rate of mechanical power extracted by the turbine from the fluid,  $\lambda$  is the tip speed ratio, and  $\beta$  is the blade pitch angle in  $(^\circ)$ . For typical MCTs and under normal operation, the maximum value of  $C_p$  is in the range of 0.35–0.5. In fact, for a given turbine, the power coefficient is represented using  $\lambda$  (Eq. (2)) and  $\beta$  [8].

$$\lambda = \frac{r\Omega}{v_t}, \quad (2)$$

where  $\Omega$  is the mechanical turbine speed in (rpm).

### 2.3. Generator Model

The PMSG was chosen for the system [9] thanks to its high efficiency, its compactness, and the possibility to remove gearbox in case of a direct-drive system. This reduces maintenance and makes the PMSG as a candidate of choice for immersed systems. The modeling

of PMSG in the d-q reference is given by Eq. (3) as follows:

$$\begin{cases} \frac{di_{sd}}{dt} = \frac{v_{sd}}{L_s} - \frac{R_s}{L_s} i_{sd} + p\Omega i_{sq}, \\ \frac{di_{sq}}{dt} = \frac{v_{sq}}{L_s} - \frac{R_s}{L_s} i_{sq} - p\Omega i_{sd} - p \frac{\Phi_a}{L_s}, \\ T_{em} = \frac{3}{2} p \Phi_a i_{sq}, \\ J_t \frac{d\Omega}{dt} = T_m - T_{em} - f\Omega, \end{cases} \quad (3)$$

where  $J_t$  is the total inertia in  $(\text{kg}\cdot\text{m}^{-2})$ ,  $T_m$  is the mechanical torque in (N·m),  $T_{em}$  is the electromagnetic torque in (N·m),  $f$  is the viscosity coefficient in  $(\text{N}\cdot\text{m}\cdot\text{s}^{-1})$  tidal velocity in  $(\text{m}\cdot\text{s}^{-1})$ ,  $v_{sd}$  and  $v_{sq}$  are the d-q components of the stator voltages respectively in (V),  $i_{sd}$  and  $i_{sq}$  are the d-q components of the stator currents respectively in (A),  $R_s$  is the phase resistance of the stator winding in  $(\Omega)$ ,  $L_s$  is the stator cyclic inductance in (H),  $\Phi_a$  is the permanent magnet flux in (Wb) and  $p$  is the pole pair number.

### 2.4. Converter Model

The generator-side converter contains three legs (Fig. 2). Every leg is composed by two switches ( $T_k, T_{k+3}, k = 1, 2, 3$ ) and two freewheeling diodes ( $D_k, D_{k+3}$ ) called IGBT. These IGBTs are controlled by a block of a PWM using gate signals  $S_k (k = 1, 2, 3)$  [10]. The kth gate signal denoted  $S_k$  switch is defined by Eq. (4) as follows:

$$S_k = \begin{cases} 1 & \text{if } T_k \text{ on and } T_{k+3} \text{ off,} \\ 0 & \text{if } T_{k+3} \text{ on and } T_k \text{ off.} \end{cases} \quad (4)$$

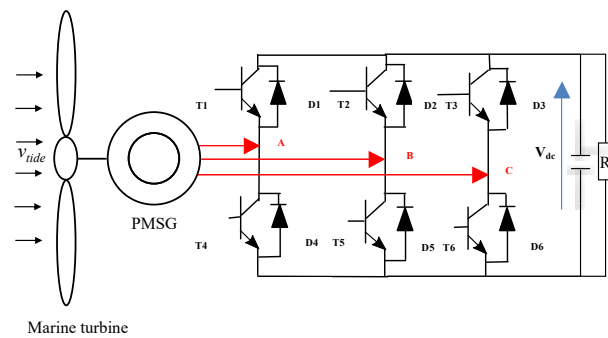


Fig. 2: Generator-side converter topology.

## 3. Marine Current Turbine Control

The marine current turbine control system is based on a PI controller, which is used in conventional field-oriented control technique. It is illustrated by Fig. 3.

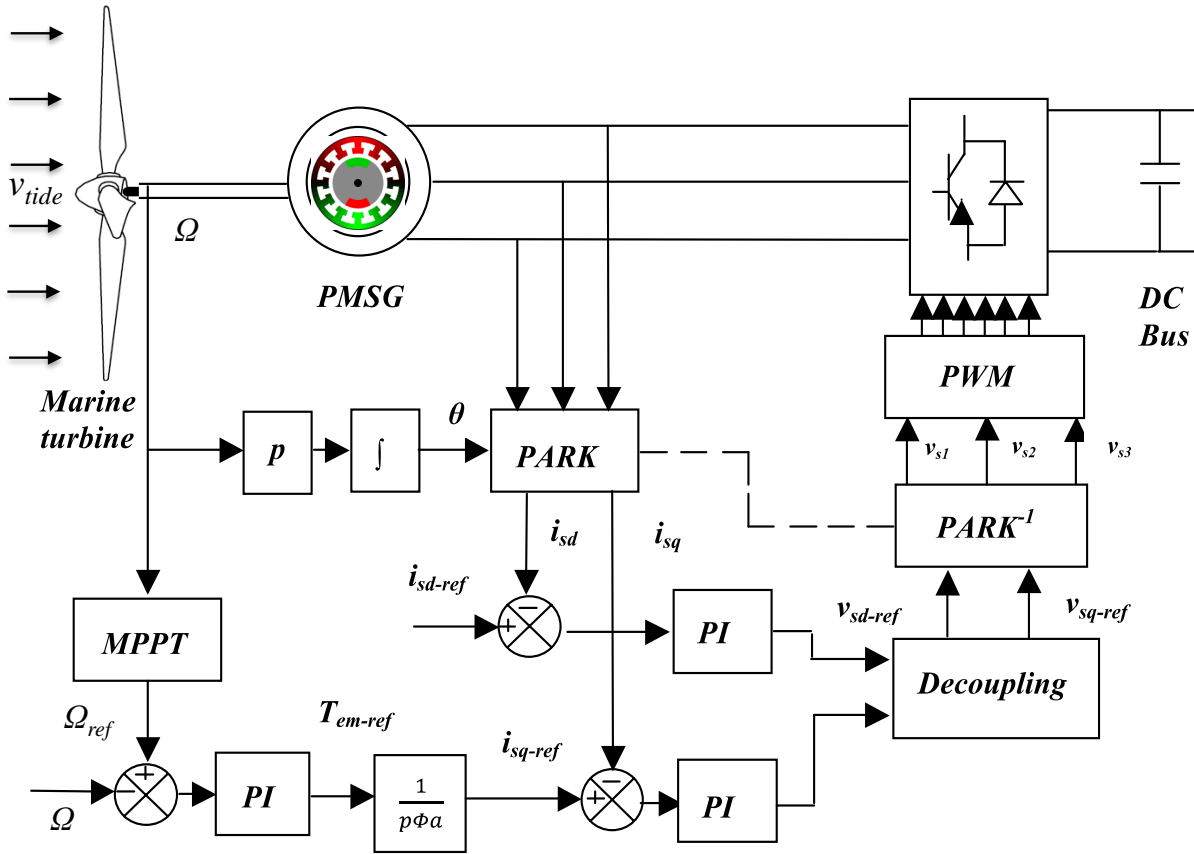


Fig. 3: The proposed control structure.

### 3.1. Maximum Power Point Tracking

The control system is defined by Eq. (5) as follows:

$$\begin{cases} i_{sd} = \frac{1}{R_s + L_s s} (v_{sd} + \omega \psi_{sq}) \\ i_{sq} = \frac{1}{R_s + L_s s} (v_{sq} - \omega \psi_{sd}) \\ T_{em} = \frac{3}{2} p \Phi_a i_{sq} \end{cases} \quad (5)$$

where ( $\omega = p\Omega$ ) is the electrical speed,  $\psi_{sd}$  and  $\psi_{sq}$  are the  $d - q$  components of the stator flux, respectively, defined by Eq. (6) as follows:

$$\begin{cases} \psi_{sd} = L_s i_{sd} + \Phi_a, \\ \psi_{sq} = L_s i_{sq}. \end{cases} \quad (6)$$

The MPPT strategy is based on a variable speed [11]. Indeed, the rotor speed is controlled using a PI controller to obtain the value of  $\lambda$  that corresponds to the maximum value of the power coefficient  $C_p$  and finally achieve the expected maximum power by the MCT.

The speed controller is given by Eq. (7) as follows:

$$R(s) = b_1 + \frac{b_0}{s}, \quad (7)$$

where  $b_1$  is the controller proportional coefficient and  $b_0$  is the controller integral.

The placing poles technique is used to compute the parameters of this controller. The reference of the speed is expressed by Eq. (8). It is used in order to make the function of the turbine is around the maximum power for different current tidal velocities.

$$\Omega_{ref} = \frac{v_t \lambda_{opt}}{r}. \quad (8)$$

If the tidal velocity exceeds  $2.3 \text{ m}\cdot\text{s}^{-1}$  [12], the power is restricted to 7.5 kW. The power of the turbine for different tidal velocities is determined by Eq. (1).

### 3.2. Current PI Controller

The PI currents controllers are given by Eq. (9) as follows:

$$R(s) = k_p \left( 1 + \frac{1}{k_i s} \right), \quad (9)$$

where  $k_p$  is the controller proportional coefficient and  $k_i$  is the controller integral. The division compensation technique is used to complete the parameters of these controllers. To reduce resistive losses, the reference of the d-axis current is zero, so, the q-axis current is the only current which control the electromagnetic torque.

The reference of the quadratic current is determined via the controller of the speed. The converter voltage vector is given by the two PI currents controllers. The control signal is generated by the PWM block to implement the vector control of the generator.

#### 4. Marine Current Turbine Post-Fault Behavior and Results Analysis

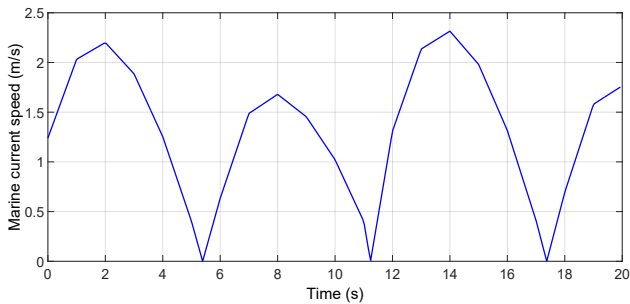
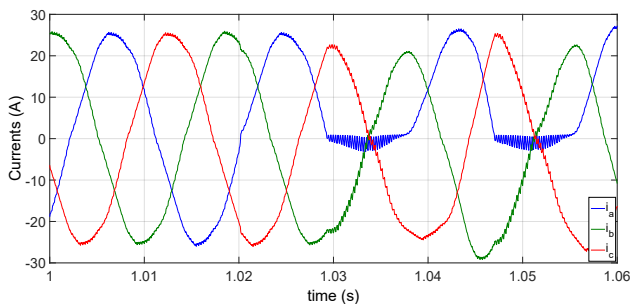
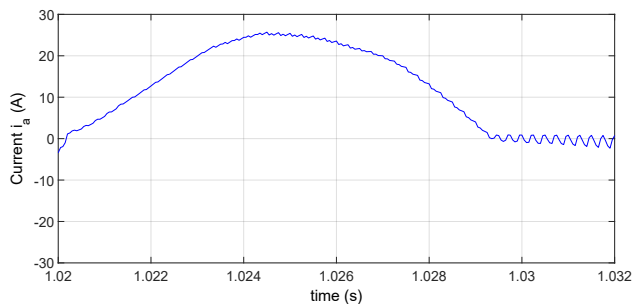


Fig. 4: Marine current turbine basic structure.

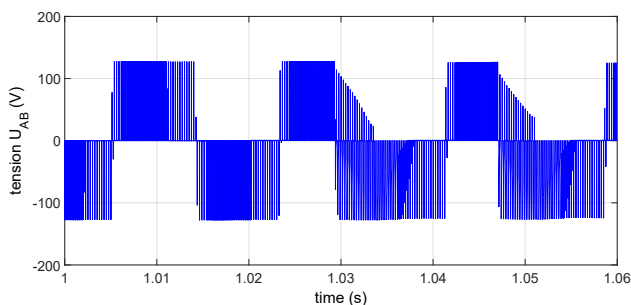
In this section, the influence of an open-circuit fault on the PMSG phase currents and the MCT dynamic performances will be studied on a PMSG-based MCT whose parameters are given in the Appendix. Simulations are carried out using MATLAB/Simulink environment. Figure 4 represents an example of marine current velocity in the Raz de Sein (potential site for the MCT project of the coast of Brittany in France) during 20 s based on tidal current data given by the French Navy Hydrographic and Oceanographic Service (SHOM). The marine current velocity can reach  $2.3 \text{ m}\cdot\text{s}^{-1}$ .



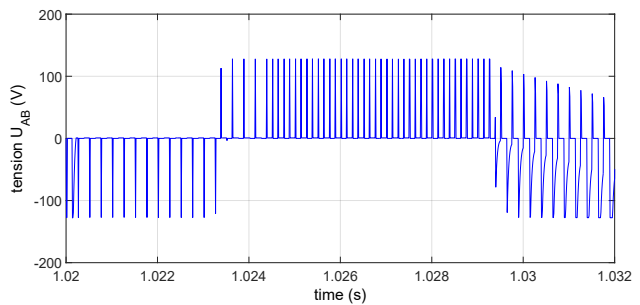
(a) Current.



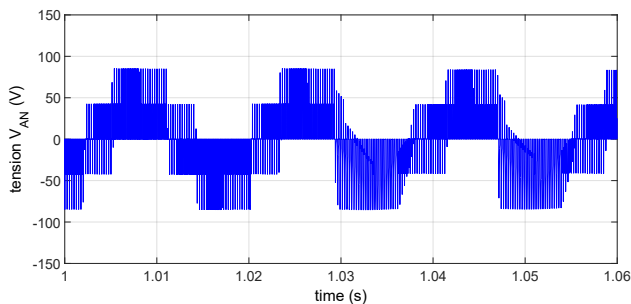
(b) Current.



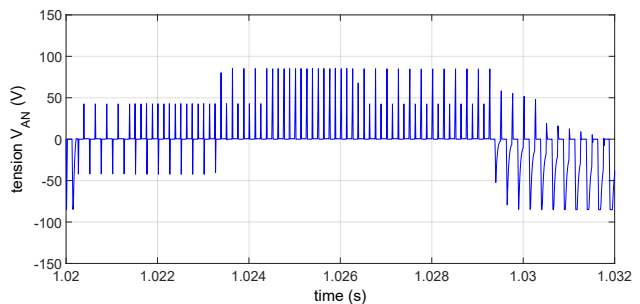
(c) Line-to-line voltage.



(d) Line-to-line voltage.



(e) Load voltage.

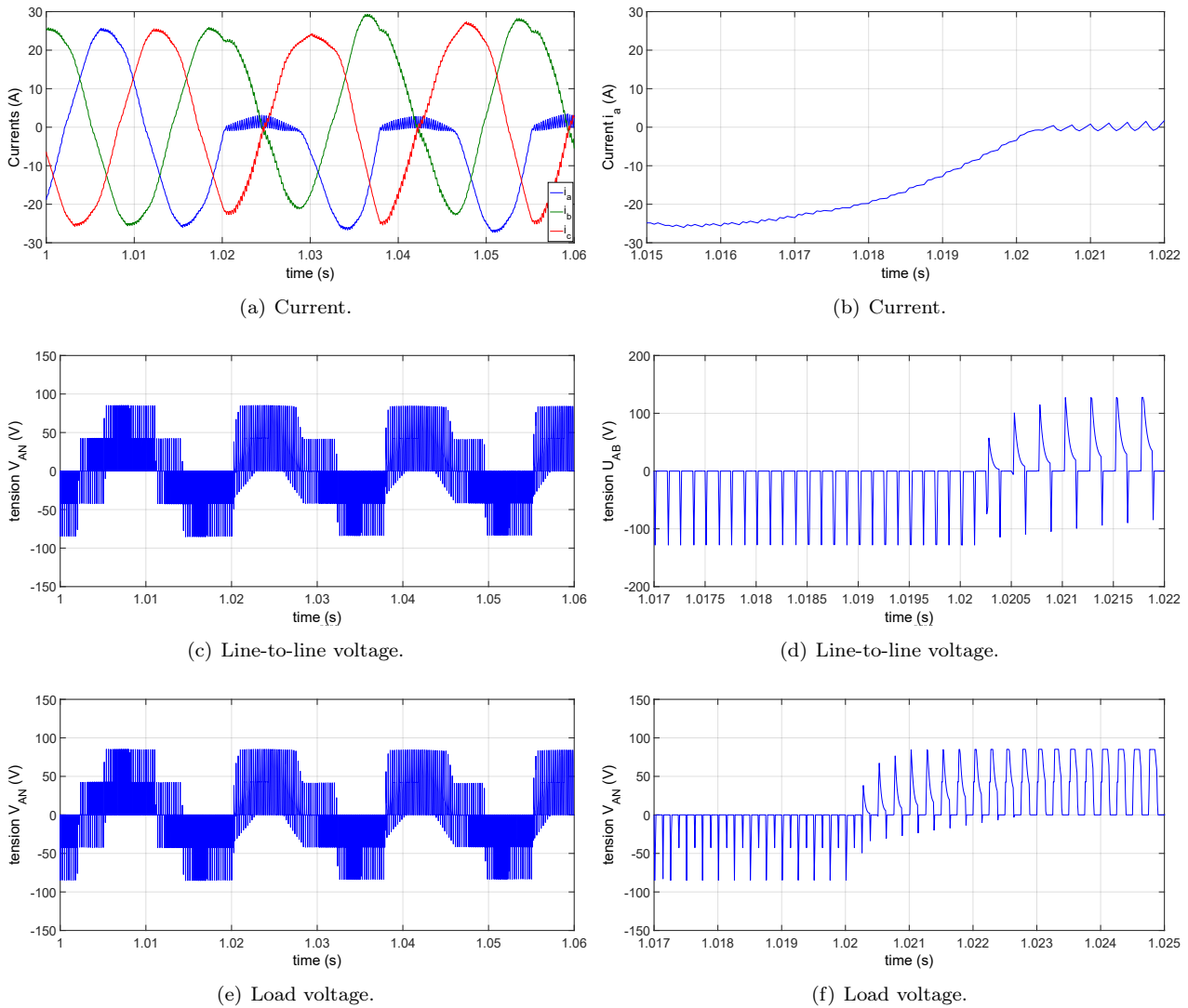


(f) Load voltage.

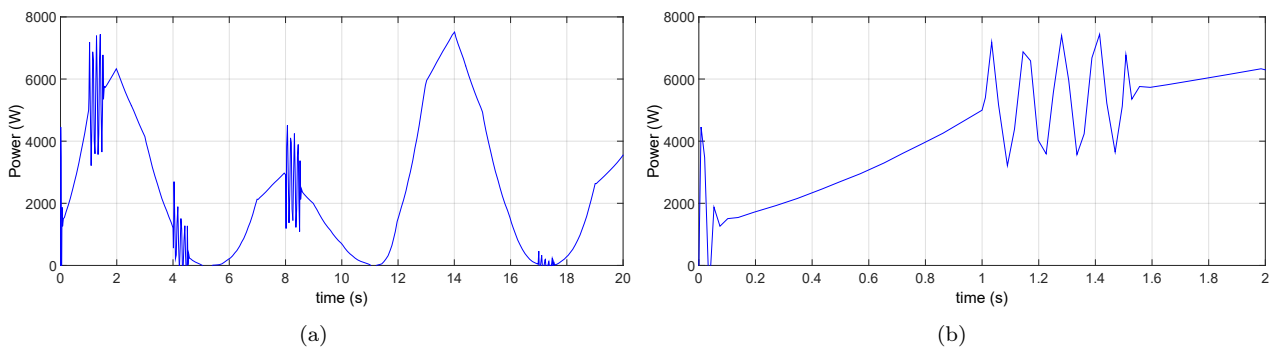
Fig. 5: Simulation Results of (T1) open-circuit fault: (a, b) currents, (c, d) line-to-line voltage  $U_{AB}$ , (e, f) load voltage  $V_{AN}$ .

Waveforms given by Fig. 5 and Fig. 6 shows the three phase currents, the line-to-line voltage  $U_{AB}$ , and the load voltage  $V_{AN}$ , respectively. In Fig. 6, a fault state is introduced at  $t = 1.02$  s and applied to the switch (T1). It is observed that the phase cur-

rent  $i_a$  is no more negative (Fig. 5(a)). The line-to-line voltage  $U_{AB}$  (Fig. 5(c)) and the load voltage  $V_{AN}$  (Fig. 5(e)) exhibit a great drop from the positive level to the negative one. Figure 5(b), Fig. 5(d), and Fig. 5(f) shows that the Fault detection is accomplished



**Fig. 6:** Simulation Results of (T4) open-circuit fault: (a, b) currents, (c, d) line-to-line voltage  $U_{AB}$ , (e, f) load voltage  $V_{AN}$ .



**Fig. 7:** PMSG generated power.

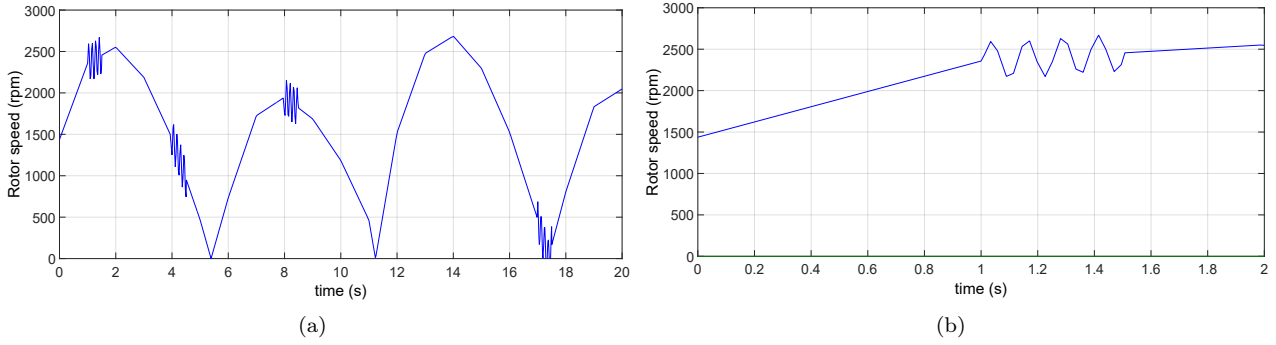


Fig. 8: PMSG rotor speed.

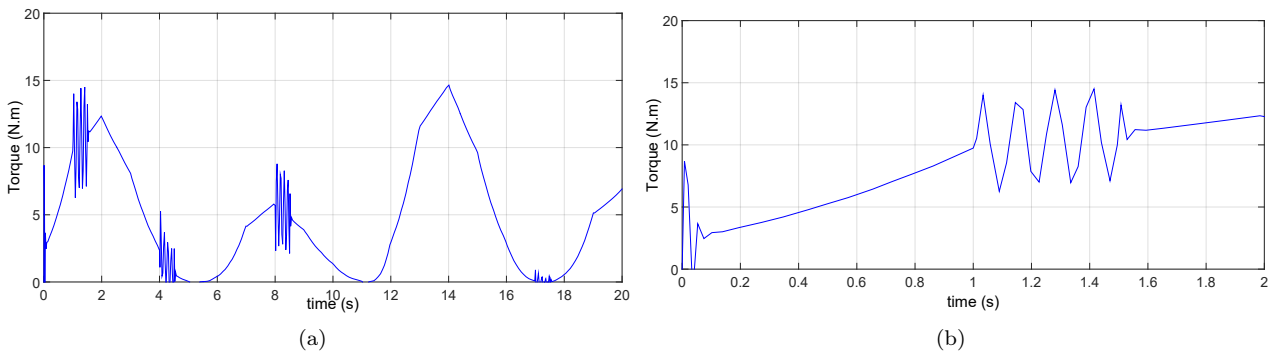


Fig. 9: PMSG torque.

at  $t = 1.0295$  s, taking 9.5 ms as fault detection time. In Fig. 6, the fault is now applied to the switch (T4), the reverse effect is observed on the phase current  $i_a$  (Fig. 6(a)), the line-to-line voltage  $U_{AB}$  (Fig. 6(b)), and the load voltage  $V_{AN}$  (Fig. 6(c)) exhibit a great drop from the negative level to the positive one. Figure 7, Fig. 8, and Fig. 9 represent the generated power, the rotor speed, and the torque with its version. It should be noticed that these results are achieved for an open-circuit in switch T1 occurring at  $t = 1$  s,  $t = 4$  s,  $t = 8$  s and  $t = 17$  s. As shown in these

figures, by using PI control, the power, the speed, and the torque have some ripples at the faults occurrence.

Figure 10 gives a histogram which shows the range of variation in speed, torque, and power in (%) at  $t = 1$  s. This proves that this technique is not useful and does not present any robustness against faults, therefore leading to the MCT system performances degradation.

## 5. Conclusion

The paper described the simulation of a PMSG-based marine current turbine experiencing open-circuit fault in power switches of its generator-side converter. PI controllers have been adopted for the MCT control. These results evidently show that PI control is very sensitive to faulty conditions and does not present any robustness. Therefore a fault-tolerant rectifier with specific redundancy or an advanced robust control techniques such as a high order sliding mode control are required.

## References

[1] BENELGHALI, S., M. E. H. BENBOUZID, T. AHMED-ALI and J. F. CHARPENTIER.

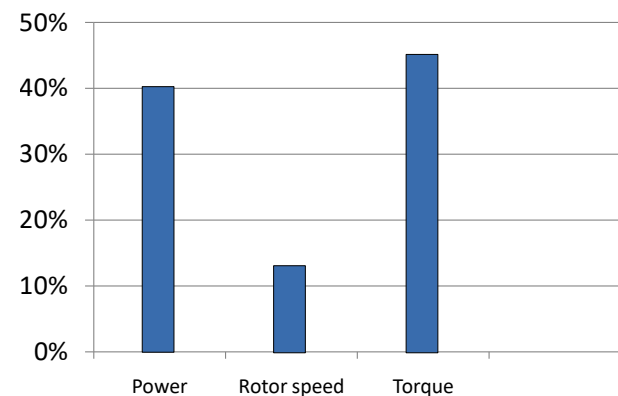


Fig. 10: Range of variation in speed, torque and power in (%) at  $t = 1$  s.



- High-order sliding mode control of a marine current turbine driven doubly-fed induction generator. *IEEE Journal of Oceanic Engineering*. 2010, vol. 35, iss. 2, pp. 402–411. ISSN 0364-9059. DOI: 10.1109/jae.2010.2040402.
- [2] AMIRAT, Y., M. E. H. BENBOUZID, E. AL-AHMAR, B. BENSACKER and S. TURRI. A brief status on condition monitoring and fault diagnosis in wind energy conversion systems. *Renewable and Sustainable Energy Reviews*. 2009, vol. 3, iss. 9, pp. 2629–2636. ISSN 1364-0321. DOI: 10.1016/rser.2009.06.031.
- [3] TOUMI, S., S. BENELGHALI, M. TRABELSI, E. ELBOUCHIKHI, Y. AMIRAT, M. E. H. BENBOUZID and M. F. MIMOUNI. Modeling and simulation of a PMSG-based marine current turbine system under faulty rectifier conditions. *Electric Power Components and Systems*. 2017, vol. 45, iss. 7, pp. 715–725. ISSN 1532-5008. DOI: 10.1080/15325008.2017.1293197.
- [4] ELGENEDY, M. A., A. S. ABDEL-KHALIK, A. ELSEROUGI, S. AHMED and A. MAS-SOUD. Fault-tolerant control of five phase current source inverter for medium-voltage drives. In: *7th International Conference on Power Electronics, Machines and Drives*. Manchester: IEEE, 2014, pp. 1–6. ISBN 978-1-84919-815-8. DOI: 10.1049/cp.2014.0329.
- [5] TOUMI, S., S. BENELGHALI, M. TRABELSI, E. ELBOUCHIKHI, M. E. H. BENBOUZID and M. F. MIMOUNI. Robustness analysis and evaluation of a PMSG-based marine current turbine system under faulty conditions. In: *IEEE STA*. Hammamet: IEEE, 2014, pp. 631–636. ISBN 978-1-4799-5906-8. DOI: 10.1109/STA.2014.7086809.
- [6] TOUMI, S., Y. AMIRAT, E. ELBOUCHIKHI, M. TRABELSI, M. E. H. BENBOUZID and M. F. MIMOUNI. A comparison of fault-tolerant control strategies for a PMSG-based marine current turbine system under converter faulty conditions. *Journal of Electrical Systems*. 2017, vol. 13, iss. 3, pp. 472–488. ISSN 1949-3029. DOI: 10.1080/15325008.2017.1293197.
- [7] HAMMONS, T. J. Tidal power in the UK and worldwide to reduce greenhouse gas emissions. *International Journal of Engineering Business*. 2011, vol. 3, iss. 2, pp. 1–13. ISSN 1847-9790. DOI: 10.5772/50933.
- [8] ZHOU, Z., F. SCULLER, J. F. CHARPENTIER, M. E. H. BENBOUZID and T. TANG. Power smoothing control in a grid-connected marine current turbine system for compensating swell effect. *IEEE Transactions Sustainable Energy*. 2013, vol. 4, iss. 3, pp. 816–826. ISSN 1949-3029. DOI: 10.1109/TSTE.2013.2251918.
- [9] TOUMI, S., Y. AMIRAT, E. ELBOUCHIKHI, M. TRABELSI, M. F. MIMOUNI and M. E. H. BENBOUZID. Second-order sliding mode for marine current turbine fault-tolerant control. In: *4th International Conference on Control Engineering and Information Technology*. Hammamet: IEEE, 2016, pp. 1–6. ISBN 978-1-5090-1055-4. DOI: 10.1109/CEIT.2016.7929075.
- [10] TRABELSI, M., M. BOUSSAK and M. GOSSA. Multiple IGBTs open circuit faults diagnosis in voltage source inverter fed induction motor using modified slope method. In: *The XIX International Conference on Electrical Machines*. Marseille: IEEE, 2012, pp. 1–6. ISBN 978-1-4244-4174-7. DOI: 10.1109/ICELMACH.2010.5608044.
- [11] SUNG-YOON, J., C. C. MI and N. KWANGHEE. Torque control of IPMSM in the field-weakening region with improved DC-link voltage utilization. *IEEE Transactions on Industrial Electronics*. 2015, vol. 62, iss. 6, pp. 3380–3387. ISSN 0278-0046. DOI: 10.1109/TIE.2014.2369453.
- [12] TOUMI, S., Y. AMIRAT, E. ELBOUCHIKHI, M. TRABELSI, M. E. H. BENBOUZID and M. F. MIMOUNI. A simplified mathematical approach for magnet defects modeling in PMSG-based marine current turbine. In: *17th International Conference on Sciences and Techniques of Automatic Control and Computer Engineering*. Sousse: IEEE, 2016, pp. 1–6. ISBN 978-1-5090-1055-4. DOI: 10.1109/STA.2016.7951996.

## About Authors

**Sana TOUMI** received her B.Sc. and the M.Sc. degrees in electrical engineering from Ecole Nationale d'Ingenieurs de Monastir (ENIM), Monastir, Tunisia in 2012 and 2013, respectively. She received a Ph.D. degree in electrical engineering from l'Universite de Bretagne Occidentale (UBO), Brest, France and l'Ecole Nationale d'Ingenieurs de Sousse (ENISO), Sousse, Tunisia, in 2017. Currently, she is working with the Research Unit Industrial Systems Study and renewable Energy, University of Sousse, Sousse, Tunisia and the Institut de Recherche Dupuy de Lome, IRDL (UMR CNRS 6027), University of Brest, Brest, France. Her current research interests include marine current turbine systems, power electronics, faulty conditions, and fault-tolerant control.

**Elhoussin ELBOUCHIKHI** received his Engineer Diploma degree in automatic and electrical



engineering and the Research Master's degree in automatic systems, computer science and decision from the National Polytechnic Institute of Toulouse, Toulouse, France, in 2010, and Ph.D. degree in electrical engineering from the University of Brest, Brest, France, in 2013. He has been a postdoctoral researcher at Institut Supérieur de l'Électronique et du Numérique (ISEN), Brest, France, from October 2013 to September 2014. Since September 2014, he has been working as an associate professor at ISEN Brest, Yncrea Ouest, Brest, France, and is an affiliated member of the IRDL (UMR CNRS 6027). His current research interests include electrical machines' fault detection and diagnosis, fault-tolerant control, and signal processing and statistics for power system monitoring.

**Yassine AMIRAT** received his B.Sc. and M.Sc. degrees both in electrical engineering, from the University of Annaba, Algeria, in 1994 and 1997, respectively. In 2011, he received a Ph.D. degree in electrical engineering from the University of Brest, Brest, France. Dr. Amirat was a lecturer in the University of Annaba, Annaba, Algeria and then in Institut Supérieur de l'Électronique et du Numérique (ISEN), Brest, France. Since January 2012, he has been an associate professor of electrical engineering at ISEN Brest, Yncrea Ouest, Brest, France, and is an affiliated member of the IRDL (UMR CNRS 6027). His current research interests are the condition monitoring and the control of electrical drives and power electronics.

**Mohamed TRABELSI** received his B.Sc. and M.Sc. degrees in electrical engineering and industrial systems from Ecole Supérieure des Sciences et Techniques de Tunis (ESSTT), Tunis, Tunisia, in 2005 and 2007, respectively. He received a Ph.D. degree in electrical engineering from Aix-Marseille III University, Marseille, France and the ESSTT, Tunis, Tunisia, in 2012. He has carried out independent professional activity in several industrial and research fields for seven years. In 2007, he was an Assistant Technologue at Institut Supérieur des Études Technologiques (ISET) Sousse, Tunisia, and, in 2009, he moved to Aix-Marseille III University. From 2013 to 2014, he was an assistant professor

at Ecole Nationale d'Ingenieurs de Sousse (ENISO), Sousse, Tunisia. Since then, he has been a post-doctoral affiliate with the L2EP Laboratory at the University of Lille, Lille, France. His research interests are focused on fault diagnosis in power converters, AC motor drives, and multi-phase drive systems.

**Mohamed BENBOUZID** received the B.Sc. degree in electrical engineering from the University of Batna, Batna, Algeria, in 1990, the M.Sc. and Ph.D. degrees in electrical and computer engineering from the National Polytechnic Institute of Grenoble, Grenoble, France, in 1991 and 1994, respectively, and the Habilitation à Diriger des Recherches degree from the University of Picardie "Jules Verne," Amiens, France, in 2000. After receiving the Ph.D. degree, he joined the Professional Institute of Amiens, University of Picardie "Jules Verne," where he was an Associate Professor of electrical and computer engineering. Since September 2004, he has been with the Institut Universitaire de Technologie of Brest, University of Brest, Brest, France, where he is a Professor of electrical engineering. Prof. Benbouzid is also a Distinguished Professor at the Shanghai Maritime University, Shanghai, China. His main research interests and experience include analysis, design, and control of electric machines, variable-speed drives for traction, propulsion, and renewable energy applications, and fault diagnosis of electric machines. Professor Benbouzid is an IEEE Senior Member. He is the Editor-in-Chief of the International Journal on Energy Conversion (IRECON). He is also an Associate Editor of the IEEE Transactions on Energy Conversion, the IEEE Transactions on Industrial Electronics, the IEEE Transactions on Sustainable Energy, the IEEE Transactions on Vehicular Technology. He is a Subject Editor for the IET Renewable Power Generation.

**Mohamed Faouzi MIMOUNI** received his Ph.D. and University Habilitation degrees in Electrical Engineering from the University of Monastir, Monastir, Tunisia in 1997 and 2004, respectively. He is currently a Full Professor at Ecole Nationale d'Ingenieurs de Monastir (ENIM), Monastir, Tunisia. His specific research interests are in the area of power electronics; motor drives; solar and wind power generation.

## Appendix A

### PMSG-Based MCT Parameters

<b>MCT Parameters</b>	
Turbine blade radius	0.87 m
Number of blades	3
Fluid density	1027.68 kg·m <sup>-3</sup>
<b>PMSG Parameters</b>	
Rated Power	7.5 kW
Rated Speed	3000 tr·mn <sup>-1</sup>
Rated Torque	17 N·m
Stator resistance	0.173 mΩ
Stator inductance	0.951 mH
Permanent magnets flux	0.112 Wb
System total inertia	1.3131 106 kg·m <sup>-2</sup>
Viscosity coefficient	8.5 10 <sup>-3</sup> Nm·s <sup>-1</sup>
<b>Converter Parameters</b>	
Turn-on time	0.13 μs
Turn-off time	0.445 μs
Dead-time	4 μs
Duty-cycle frequency	5 kHz
DC-bus voltage	600 V
<b>PI Controller parameter</b>	
Turbine speed loop (b0, b1)	(0.56, 1.7)
Generator dq-axis current loop (kp, ki)	(0.0173, 5.49)