



HAL
open science

SOAs and Digital Linearization in Optical Networks – A Stochastic Investigation

Jacqueline E Sime, Pascal Morel, Igor Simone Stievano, Mihai Telescu, Noël Tanguy, Stéphane Azou

► **To cite this version:**

Jacqueline E Sime, Pascal Morel, Igor Simone Stievano, Mihai Telescu, Noël Tanguy, et al.. SOAs and Digital Linearization in Optical Networks – A Stochastic Investigation. CLEO: Science and Innovations, 2021, San Jose, United States. pp.STh1F.6, 10.1364/CLEO_SI.2021.STh1F.6. hal-03358477

HAL Id: hal-03358477

<https://hal.science/hal-03358477>

Submitted on 3 Jul 2023

HAL is a multi-disciplinary open access archive for the deposit and dissemination of scientific research documents, whether they are published or not. The documents may come from teaching and research institutions in France or abroad, or from public or private research centers.

L'archive ouverte pluridisciplinaire **HAL**, est destinée au dépôt et à la diffusion de documents scientifiques de niveau recherche, publiés ou non, émanant des établissements d'enseignement et de recherche français ou étrangers, des laboratoires publics ou privés.

SOAs and Digital Linearization in Optical Networks – A Stochastic Investigation

Jacqueline E. Sime¹, Pascal Morel¹, Igor Simone Stievano², Mihai Telescu³, Noël Tanguy³, and Stéphane Azou¹

¹École Nationale d'Ingénieurs de Brest, Lab-STICC, CNRS, UMR 6285, 29238 Brest, France

²Politecnico di Torino, Dipartimento di Elettronica e Telecomunicazioni, 10129 Torino, Italy

³Univ Brest, Lab-STICC, CNRS, UMR 6285, F-29200 Brest, France

sime@enib.fr

Abstract: Digital predistortion has recently spurred interest in photonics. In this paper, the authors perform a sensitivity analysis of three digital predistortion algorithms and demonstrate an increase in performance and, in some cases, robustness to uncertainties. © 2020 The Author(s)

1. Introduction

The inclusion of Semiconductor Optical Amplifiers (SOAs) into optical communication systems has been suggested as they are easily integrable with other devices, cost-effective, and have a large optical bandwidth [1]. Coherent Optical Orthogonal Frequency Division Multiplexing (CO-OFDM) systems have been subjects of interest for their dynamic bandwidth allocation and the possibility for simple equalization implementation [2]. In this context of non-constant envelope, SOAs will bring nonlinearities. Fortunately, digital predistortion (DPD) was found capable of mitigating these effects by modifying the signal at the emitter according to an estimated inverse function of the SOA [3]. In addition, recent work using stochastic analysis showed DPD to be beneficial by reducing the impact of intrinsic uncertainties in the structure of the emitter [4]. The present paper brings new light on this topic by investigating DPDs subjected to the combined uncertainties of IQ imbalances (a current research focus [5]) in the presence of chromatic dispersion and digital-to-analog imperfections.

2. The SOA in a CO-OFDM system setup

This paper is based on the scenario depicted in Figure 1a. A bit stream undergoes M-QAM modulation before being coded into OFDM frames with a bandwidth of 20 GHz consisting of 512 subcarriers. After accounting for the null subcarriers and the cyclic prefix, the data rate is 27.8 Gbit/s or 55.6 Gbit/s for a 4-QAM and 16-QAM configuration respectively. Some hard-clipping at a 8 dB ratio is done on the constant length time signal which is sent through a digital-to-analog converter with an effective resolution of 6 bits. The electro-optic conversion includes an IQ modulator that has a peak-to-peak voltage of $1.25 \times V_{\pi}$. The channel configuration is 20 km of fiber followed by the SOA followed by 80 more km of fiber. At the receiver, the signal undergoes synchronization, equalization and demodulation. Figure 1b displays the parameters featuring the performance-limiting uncertainties in the system: the modulator's gains (g_I and g_Q) and phase difference (ϕ), and the SOA's bias current (I_{bias}). Their nominal values are 1 (where $g_Q = 1 - (g_I - 1)$), $\frac{\pi}{2}$, and 150 mA respectively.

3. Uncertainty analysis via Polynomial Chaos Expansion

This paper deals with three predistortion algorithms known in the wireless radio literature: Memory Polynomials (MP), Envelope Memory Polynomials (EMP), and Generalized Memory Polynomials (GMP) [6]. Even though

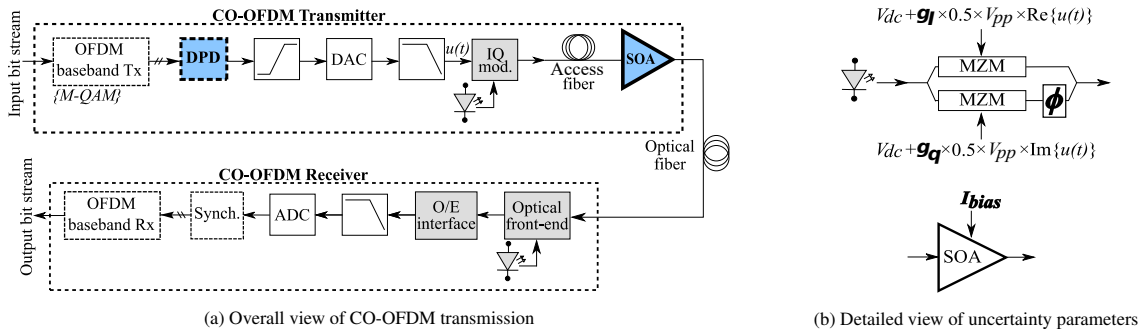


Fig. 1: CO-OFDM stochastic analysis setup

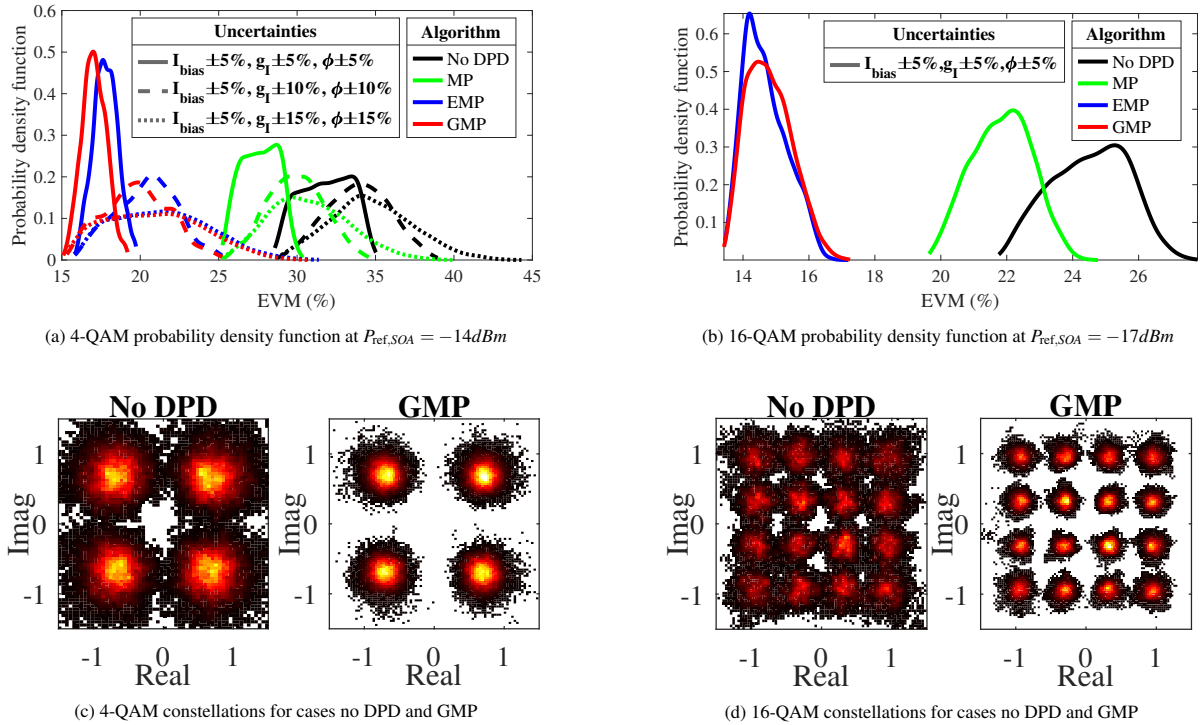


Fig. 2: Probability density functions and constellations

Monte Carlo (MC) simulations are usually used for uncertainty analyses, a macromodeling technique called the Polynomial Chaos Expansion (PCE) was demonstrated to be a viable alternative with an estimated speedup ratio of 200 for this scenario [4]. Thus, the PCE technique is used with the following parameters: Error Vector Magnitude (EVM) as the quantity of interest, Latin hypercube sampling as the sampling technique, 50 runs to create the model, and Sparse least-angle regression as the error minimization method.

4. Results

The results are obtained through a MATLAB-ADS co-simulation where a $750 \mu\text{m}$ INPHENIX-IPSAD1501 SOA with a gain of 18 dB and a noise figure of 9 dB is modeled through ADS [7]. The UQLab toolbox was used for the stochastic analysis [8]. Figures 2a and 2b demonstrate the estimated probability density functions (PDF) from the PCE models of four cases (no DPD, MP, EMP, GMP) at different levels of uncertainties. The reference input power to the SOA is -14 dBm for 4-QAM and -17 dBm for 16-QAM. A horizontal shift to the left signifies an improvement in EVM, hence a possibility for more reach. A vertical stretch upward entails a higher robustness to uncertainties. The EMP and GMP meet the EVM requirements in all cases: 30% for 4-QAM and 16% for 16-QAM [9]. The MP complies with that EVM objective for the 4-QAM, all parameters at 5% uncertainty scenario. Figures 2c and 2d portray 2D-histograms of the M-QAM symbols received. The constellation is color coded from dark to bright (lowest to highest density). The DPD shows brighter constellations with a tighter congregation.

References

1. G. Talli et al., "SOA-based Metro-Access Coherent Transmission Systems," *CLEO*, San Jose, CA, USA, pp. SM4G-1, 2019.
2. O. Vassilieva et al., "Reach extension with 32 and 64 GBaud single carrier vs. multi-carrier signals," *IEEE OFC*, Los Angeles, CA, USA, pp. 1-3, 2017.
3. C. Diouf et al., "Robustness analysis of a parallel two-box digital polynomial predistorter for an SOA-based CO-OFDM system," *Opt. Commun.*, vol. 402, pp. 442-452, Nov. 2017.
4. J. E. Sime et al., "The Effects of Digital Predistortion in a CO-OFDM System—A Stochastic Approach," *IEEE Photonics Technology Letters*, vol. 32, no. 13, pp. 763-766, July 2020.
5. M. S. Faruk et al., "Digital signal processing for coherent transceivers employing multilevel formats," *J. Lightw. Technol.*, vol. 35, no. 5, pp. 1125-1141, 2017.
6. F. M. Ghannouchi et al., *Behavioral Modeling and Predistortion of Wideband Wireless Transmitters*, 1st ed. Chichester, UK: Wiley, 2015.
7. H. Khaleghi et al., "Experimental validation of numerical simulations and performance analysis of a coherent optical-OFDM transmission system employing semiconductor optical amplifier," *J. Lightw. Technol.*, vol. 31, no. 1, pp. 161-170, Jan. 2013.
8. S. Marelli, and B. Sudret, "UQLab: A framework for uncertainty quantification in Matlab," *Proc. 2nd ICVRAM*, Liverpool, UK, 2014, pp. 2554-2563.
9. R. Schmogrow et al., "Error vector magnitude as a performance measure for advanced modulation formats," *IEEE Photonics Technology Letters*, vol. 24, no. 1, pp. 61-63, Oct. 2011.