



HAL
open science

On safety of slurry-wall trenches

Włodzimierz Brzakala, Karolina Gorska

► **To cite this version:**

Włodzimierz Brzakala, Karolina Gorska. On safety of slurry-wall trenches. CFM 2007 - 18ème Congrès Français de Mécanique, Aug 2007, Grenoble, France. <hal-03358172>

HAL Id: hal-03358172

<https://hal.science/hal-03358172v1>

Submitted on 29 Sep 2021

HAL is a multi-disciplinary open access archive for the deposit and dissemination of scientific research documents, whether they are published or not. The documents may come from teaching and research institutions in France or abroad, or from public or private research centers.

L'archive ouverte pluridisciplinaire **HAL**, est destinée au dépôt et à la diffusion de documents scientifiques de niveau recherche, publiés ou non, émanant des établissements d'enseignement et de recherche français ou étrangers, des laboratoires publics ou privés.



HAL Authorization

On safety of slurry–wall trenches

Brzakala Włodzimierz & Gorska Karolina

*Institute of Geotechnics and Hydroengineering, Faculty of Civil Engineering
Wroclaw University of Technology
Wybrzeze Wyspianskiego 27, 50-370 Wroclaw, Poland
brzakala.wlodzimierz@pwr.wroc.pl*

Abstract :

The paper focuses on a numerical simulation of ground movements and a stability evaluation during trench excavation processes (slurry–walls technology). A special attention is paid to modeling of failure and to defining of safety measures. Numerical calculations are based on the FLAC 3D code. It is found that the soil kinematics at failure coincides with the literature data. Four kinds of safety factor are investigated. The results converge if trench is deep enough. The applied probabilistic safety analysis takes into account the random level of the ground water, as a most important factor, and the soil strength. The acceptable level of safety is found.

Résumé :

L'article se concentre sur une simulation numérique des mouvements du sol et sur l'évaluation de la stabilité lors du processus d'excavation en tranchée (parois moulées). Une attention spéciale est attirée sur la modélisation de défaillances et sur la définition des mesures de sécurité. Des calculs numériques sont basés sur le code FLAC 3D. La cinématique de sol à la défaillance coïncide avec des données dans la littérature. Quatre types des coefficients de sécurité font l'objet d'une enquête. Des résultats coïncident dans la cas où la tranchée est suffisamment profonde. L'évaluation probabiliste de sûreté considère une nappe phréatique statistique et une résistance du sol comme des éléments les plus importants. Un niveau acceptable de sécurité a été atteint.

Key-words :

slurry–wall trench; safety measure; numerical simulation

1 Introduction.

An increasing interest towards applications of slurry walls can be observed since the late sixties. It is so, because geotechnical engineers cope with more and more complicated ground situations, including water and soil conditions, as well as construction sites situated in urban regions. Bearing in mind a very limited space in the city infrastructure, deep excavations are required by needs of underground parking places, protection of existing objects in the excavation vicinities, large loadings transmitted from the ground and from the structure, etc., the concept of vertical reinforced–concrete panels is both technically effective and economically justified.

The paper focuses on the first phase of the technology when a vertical finite–length trench element is excavated under a hydrostatic support from inside of a bentonite slurry. It seems that a little interest is paid to the static analysis and safety margins of the trenches (as well as a surrounding ground), except for – but a few – recent papers. During the trench excavation some dangerous consequences can occur due to variations of: the groundwater table, the pore pressure, the soil strength, the slurry level, weak soil lenses, suction forces, etc. All of them are random, sometimes correlated, and significantly influence the required level of safety.

In the stability evaluation, a half-elliptic sliding block method introduced by Kowalewski & Piaskowski (1965) is often considered – Fig. 1a) or a 3D method of columns which corresponds to the method of 2D slices – Fig. 1b). Methods resulting from the Janssen silo–pressure analysis, adopted by Schneebeli, become less popular. Three parameters are very important for the local stability of the trench: the isotropic supporting stress p_z caused by the bentonite slurry, the hydrostatic pressure p_w due to the groundwater table and the effective soil pressure σ' in soils near a face of the trench. Note that standard engineering measures of safety, like the local ratios $FS = p_z/(\sigma' + p_w)$ or $FS = (p_z - p_w)/\sigma'$, are not useful in the context of advanced numerical calculations. Indeed – the forces acting on all faces of the trench have to be always in equilibrium (boundary conditions in stresses).

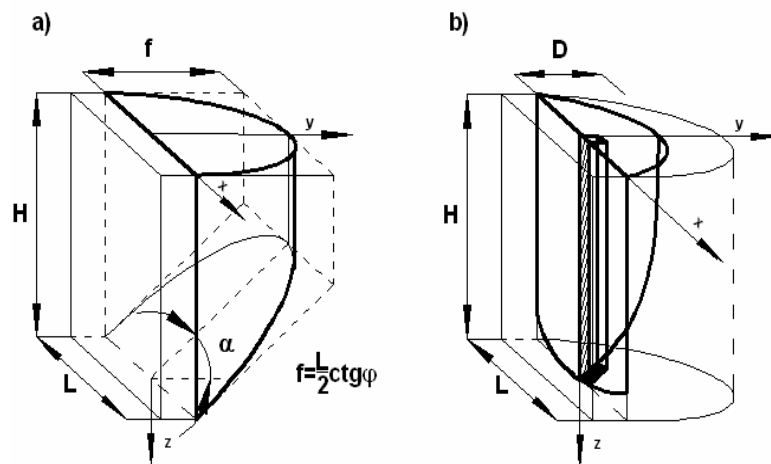


FIG. 1 – Shape of the sliding wedge by: a) Piaskowski & Kowalewski; b) Tsai & Chang.

A full elastoplastic stability evaluation using the 3D finite difference method for continuum is the objective of the paper. The shape of the sliding wedge is to be verified and margins of safety are to be estimated.

2 Assumptions for the numerical study.

A vertical trench, 1m thick and 10m deep ($H = 10\text{m}$), with the typical length 6m ($L = 6\text{m}$), is considered. Due to two planes of symmetry, only one quarter of the 3D boundary problem is of interest, Fig. 2a). The soil model corresponds to a macrohomogeneous sand, an elastoplastic material with the Coulomb–Mohr yield criterion and a nonassociated rule of plastic flow. The geotechnical parameters are as follows: the unit weight $\gamma = 18,5\text{kN/m}^3$, the earth pressure coefficient at rest $K_0 = 0,47$, the friction angle $\phi = 32^\circ$, the cohesion $c = 0\text{kPa}$, the dilation angle $\psi = 0^\circ$, Young's modulus $E = 70\text{MPa}$ and Poisson's ratio $\nu = 0,25$. The groundwater table varies from 0,5m to 3,0m below the ground surface. It is assumed that there is no hydraulic contact between the bentonite suspension and the ground water. Neither flow nor changes in the pore pressure are taken into consideration during the trench excavation.

The model domain is divided into four parts of different zone concentrations: fine ones near the excavation (minimal mesh distance of 0,5m) and coarse ones near the corners (maximal mesh distance of 2,0m), Fig. 2b).

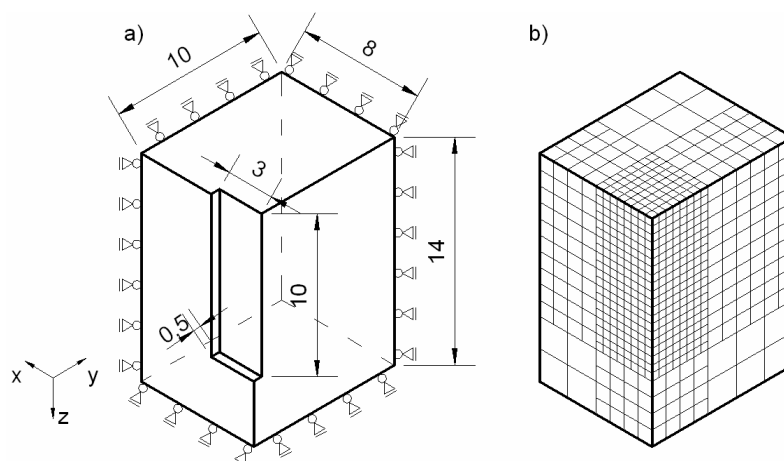


FIG. 2 – The geometric assumptions: a) dimensions of the domain of calculation and boundary fixities; b) a finite difference mesh.

The excavation process is modelled by a successive removing of 1m – thick elements from the mesh. The hydrostatic slurry pressure is taken as an external loading, linearly increasing with depth, applied to all faces of the trench, including the toe. Calculations were performed in terms of the effective stress (a fully drained case). Forces which are produced during working movements of the bucket of a trenching machine are not taken into account; they do not have much influence, if the length of the bucket is much smaller than the length of the trench (sometimes, contractors do not agree with this opinion). For simplification, the ground water pressure is subtracted from the slurry pressure. Thus only the reduced boundary loading from both fluids is applied to all faces and to the toe of the trench. The bentonite slurry with the unit weight of $10,5\text{kN/m}^3$ is used as the stabilizing fluid and the value of $10,0\text{kN/m}^3$ is accepted for the unit weight of water. The slurry level is kept unchanged on the ground surface, i.e. above the groundwater table. The code FLAC 3D is used for numerical calculation.

3 Deterministic measures of safety.

The stability of the trench is investigated by the reduction of $\text{tg}\phi$ (FS_1), by the reduction of the unit weight of the bentonite slurry (FS_2) and by the increase of the unit weight of the surrounding sand (FS_3). Three different factors of safety are proposed, all comparing real parameters with the reduced (increased) ones at failure:

$$FS_1 = \frac{\text{tg}\phi}{\text{tg}\phi_{zred}} \quad \text{– reduction of the ground strength parameter (cohesion } c = 0),$$

$$FS_2 = \frac{\gamma_z}{\gamma_{zzred}} \quad \text{– reduction of unit weight of the bentonite slurry,}$$

$$FS_3 = \frac{\gamma_{gzw}}{\gamma_g} \quad \text{– increase of unit weight of the surrounding sand.}$$

The terms “reduction” and “increase” mean successive 5% changes of the parameters in each stage during calculations. The arbitrary 5% level is accepted as a compromise between time of calculations and required accuracy.

The FS-calculations are executed for every increased trench depth (from 1,0m to 10,0m, step 1,0m). The response of the trench during every stage of the excavation, i.e. for any fixed excavation depth, is monitored and the reduction procedure is continued until the trench collapses. For a ductile elastoplastic behaviour, it is not evident when such a failure takes place. Therefore, it is assumed that the failure means a “rapid increase” of displacements of points

selected on the face of the trench. For this purpose, maximal curvature of the subsidence curves can be used. The points were selected on the plane of symmetry, where the largest displacements are expected.

Fig.3 presents a dependence of the safety factor on the depth of excavation. For shallow trenches, the differences between the safety factors FS_i are quite significant, but the differences vanish if the values of FS_i become small. The calculations in this section and the results in Fig.3 correspond to the fixed the groundwater table situated 2,0m below the ground surface.

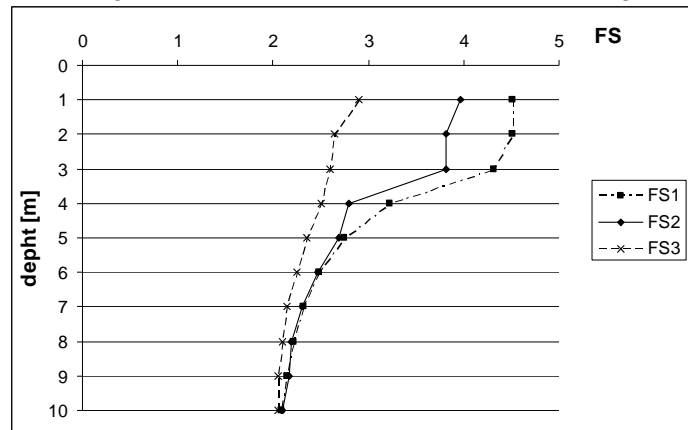


FIG. 3 – The dependence of the safety factors FS_i on the depth of excavation [m].

Although based on the same concept, and leading to similar results, the coefficients FS_2 and FS_3 seem to be more controversial than FS_1 . Indeed, highly reduced values of $\tan\phi$ are physically acceptable, in contrast to small values of the unit weight of the bentonite slurry (say, less than 6kN/m^3) or large values of the unit weight of the soil (say, more than 30kN/m^3). Note a kind of (almost) stabilisation of FS_i values with depth which can reflect some silo-effects.

A spatial distribution of displacements within the sliding wedge, just before the failure due to reduction of $\tan\phi$, is presented in Fig. 4. The results confirm kinematics proposed by Tsai & Chang (1996), Fig.1b), more than the one used earlier by Kowalewski & Piaskowski (1965), Fig.1a).

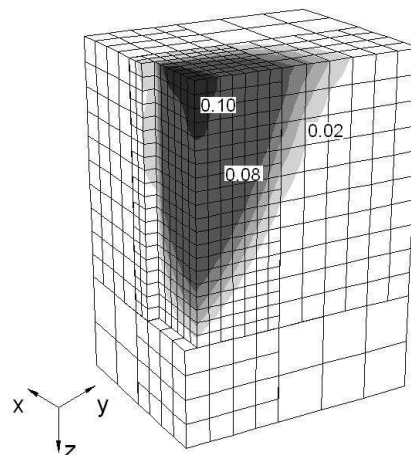


FIG. 4 – The displacements of the continuum within the sliding wedge near the trench, [m].

4 Reliability index. Calibration.

Assume that the coefficient of friction $f = \tan\phi$ is random, has an expected value μ_f and a standard deviation σ_f . Define the following standardized random variable $Z_1 = (f - \mu_f)/\sigma_f$.

Similarly, $Z_2 = (t - \mu_t)/\sigma_t$ stands for the depth of the random groundwater table, $t > 0$. If so, the limit state condition, expressed in terms of the displacements of a representative point, takes the form $U(Z_1, Z_2) = u_{lim}$. Numerical calculations revealed that the dependence on the value of u_{lim} is not very important, if u_{lim} is large enough (steady plastic-flow zones). The mechanical assumptions justify a probabilistic simplification that Z_1 and Z_2 are statistically independent.

Let $\mu_f = 0.55$, $\sigma_f = 0.055$ (the coefficient of variation denoted as $v_f = \sigma_f/\mu_f = 0.055/0.50 = 10\%$) and $\mu_t = 2.0\text{m}$, $\sigma_t = 0.5$ (i.e. $v_t = \sigma_t/\mu_t = 0.5/2.0 = 25\%$). The data can reflect much greater variability of the water conditions due to ineffective drainage system, floods and so on.

The limit state condition for $u_{lim} = 0.015\text{m}$ is plotted in Fig.5, making use of selected results yielding from the numerical analysis ($H = 10.0\text{m}$).

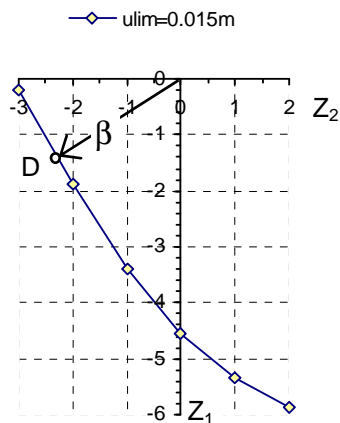


FIG. 5 – The Hasofer and Lind reliability index $\beta \cong 2.7$ and the design point D,

$$D(-1.4; -2.3) = D(-\beta \cdot \cos\alpha; -\beta \cdot \sin\alpha), \text{ where } \alpha = 58.6^\circ$$

The shortest distance β from the origin (0,0) to the limit state line in the space of the variables ($Z_1; Z_2$) is a standard measure of safety, Thoft-Christensen & Baker (1982). Since the limit state function U is almost linear around the design point D, the probability of failure can be approximated as:

$$p_f = \Phi(-\beta), \text{ so } p_f \cong 0.0035.$$

The obtained values of β and p_f are relatively small in the context of standards of structural reliability, but they seem to be acceptable for short-time construction with ductile behaviour and plastic reserves of strength.

The design point $D(z_1^d, z_2^d)$ determines two design values of the physical parameters:

$$f^d = (\text{tg}\phi)^d = \mu_f + z_1^d \cdot \sigma_f = \mu_f \cdot \gamma_f \text{ where:}$$

$$\gamma_f = 1 + z_1^d \cdot v_f = 1 - \beta \cdot v_f \cdot \cos\alpha = 1 - 1.4 \cdot 10\% = 0.86 = 1/1.16$$

$$t^d = \mu_t + z_2^d \cdot \sigma_t = \mu_t \cdot \gamma_t \text{ where:}$$

$$\gamma_t = 1 + z_2^d \cdot v_t = 1 - \beta \cdot v_t \cdot \sin\alpha = 1 - 2.3 \cdot 25\% = 0.43 = 1/2.35.$$

The results in terms of the partial safety factors γ_f and γ_t need a comment. The dominating role of the groundwater table localization is evident: $\gamma_t \ll 1$. This happens due to the greater sensitivity of the model subject to changes of the groundwater table than to random fluctuations of $f = \text{tg}\phi$.

Formally speaking, this conclusion results from the design-point coordinates for which $|z_2^d| = 2.3 > |z_1^d| = 1.4$. Furthermore, this is the large variability of the groundwater table depth t which causes such a conclusion ($v_t = 25\% > v_f = 10\%$). Apparently, the partial safety coefficient $\gamma_t = 0.43$ is very low in the considered example. However, this coefficient is to correct the expected value μ_t which is greater than the characteristic value accepted sometimes as a safe probabilistic quantile. Bearing this in mind, the comparison with the EC7 guidelines becomes not straightforward, unless a full information on probability distributions is available.

Note that such elements as foundations situated near the trench, random soft-soil lenses, a pore pressure generation etc. can change the conclusions.

5 Closing conclusions.

- a) The numerical calculations indicate that the safety of the trench supported by the bentonite slurry decreases with its depth. However, the changes are not very significant below the depth of 7m and a kind of convergence is observed. Such a finding can correspond to a silo-effect.
- b) Relatively large values of the factors of safety are observed for deterministic situations, like $FS = 2 - 3$ or more. This conclusion can be misleading, because some important factors are not taken into account: a fluid flow and changes in the pore pressure, technological excitation by movements of the bucket of trenching machine, soil inhomogeneities, foundations etc.
- c) There is no doubt that the localisation of the groundwater table – related to the level of the slurry in the trench – is the pivotal parameter of the model.
- d) The safety factor FS_1 (the relative reduction of soil-strength parameters) seems to be the most coherent and representative for safety estimation within the deterministic approach.
- e) Standard probabilistic analysis of safety, expressed in terms of the reliability index β , reveals that the large values of FS in the deterministic approach can be overestimated.
- f) The observed kinematics of sliding wedges confirms engineering assumptions within the limit state approach, especially the ones presented by Tsai & Chang (1996).

Acknowledgement

The cooperation with Dr Marek Cała (Polish Academy of Mining and Metallurgy, Cracow) in numerical modelling using FLAC 3D is appreciated.

References

- Piaskowski, A., Kowalewski, Z. 1965 Application of tixotropic clay suspensions for stability of vertical sides of deep trenches without strutting. *6th Int.Conf.SMFE Montreal*, Vol.III, 526-529.
- Thoft-Christensen, P., Baker, M.J. 1982 Structural Reliability Theory and its applications. Springer-Verlag, Berlin.
- Tsai, J.S., Chang, J.C. 1996 Three-dimensional stability analysis for slurry trench wall in cohesionless soil. *Canadian Geotechnical Journal* **33**, 798-808.
- PN-EN 1538 2002 Execution of special geotechnical works – Diaphragm walls.