



HAL
open science

A model-based control law for vibration reduction of serial robots with flexible joints

Jacques Farah, H el ene Chanal, Nicolas Bouton, Vincent Gagnol

► **To cite this version:**

Jacques Farah, H el ene Chanal, Nicolas Bouton, Vincent Gagnol. A model-based control law for vibration reduction of serial robots with flexible joints. *Mechanics & Industry*, 2021, 22, pp.38. 10.1051/meca/2021036 . hal-03281106

HAL Id: hal-03281106

<https://hal.science/hal-03281106>

Submitted on 7 Jul 2021

HAL is a multi-disciplinary open access archive for the deposit and dissemination of scientific research documents, whether they are published or not. The documents may come from teaching and research institutions in France or abroad, or from public or private research centers.

L'archive ouverte pluridisciplinaire **HAL**, est destin ee au d ep ot et  a la diffusion de documents scientifiques de niveau recherche, publi es ou non,  emanant des  tablissements d'enseignement et de recherche fran ais ou  trangers, des laboratoires publics ou priv es.

A model-based control law for vibration reduction of serial robots with flexible joints

Jacques Farah, H el ene Chanal*, Nicolas Bouton, and Vincent Gagnol

Universit e Clermont Auvergne, CNRS, Clermont Auvergne INP, Institut Pascal, 63000 Clermont-Ferrand, France

Received: 14 November 2019 / Accepted: 28 May 2021

Abstract. The presence of flexibilities in rotational joints can limit the kinematic performances of manipulators doing high speed tasks as Pick and Place. The problem addressed in this work concerns the vibration control of serial robots with flexible joints performing Pick and Place tasks in order to improve productivity. Based on a dynamic model of a robot with flexible joints, a model-based control law is proposed with its associated tuning methodology. The robot dynamic model is then the key point of our methodology. This dynamic model considers stiffness and damping of each flexible joint. To guarantee its accuracy, a geometrical and dynamic identification procedure is realized. The objective is to show the relevancy of the proposed approach which integrates joint flexibilities in the control law. Theoretical results based on a representative model are used to illustrate the benefit of this model-based control law compare to two other control strategies (Feedforward control and control dedicated to rigid structures). Finally, a sensitivity analysis of this control law is realized to quantify the impact of modelling error and conclude on the criticality of joint damping value on vibration decreasing.

Keywords: Based-model control / robot with joint flexibilities / geometric identification / dynamic identification / dynamic modelling

1 Introduction

Nowadays, the demand of productivity requires robots to present a control behaviour in terms of geometric and dynamic accuracy and task execution time. In this paper, we are focusing on serial robots for Pick and Place tasks.

Pick and Place tasks requires pose accuracy, repeatability, orientation accuracy, reduced stabilization time, position overshoot and static compliance [1]. One of the current challenges for this type of task is to increase productivity while ensuring high accuracy for the final pose.

To achieve this objective, lightweight robots are developed; however resulting flexibilities lead to a high sensitivity to different kind of loaded [2]. Thus, during high acceleration motions, vibratory phenomena appears [3]. Main causes of these vibrations are inertial forces, external loads coupled with the mechanical behaviour of the robot structure and control system. Several researches are carried out to improve the accuracy of trajectory tracking by considering flexibilities in joints and links according to the influential elements [4,5].

Robot vibratory decreasing can be achieved with different viewpoints: task pose in the robot workspace [6,7], tool path interpolation [3,8] or control law [9]. In this article, we focus on the influence of control law and identification of influent parameters in vibratory behaviour of Scara robot during a Pick and Place task.

In practice, this vibratory behaviour is due to the flexibility in motorized joints transmission system or/and the flexibility induced by the lightening of moving arms [10,11]. Moreover, these elements may cause low resonance frequencies [12,13].

This issue can be observed with a first experimental test realised on a Scara S600 robot, set in motion by an industrial control law, using an external measurement sensor (Laser tracker) with an accuracy level of 15 μm and an acquisition time period of 5 ms. The same end-effector path (movement of the two first axes) was realised with different speed levels from 10 to 80 rad/s. Vibrations appear at the end of the movement phase. The amplitude of the vibrations at the end of the movement is related to the robot's movement speed with a maximum of 0.15 mm as shown in Figure 1.

Different researches are carried out depending on the type of flexibility parameters and models and compensated by the control law [9]. In this article, we work on industrial robot with flexible joints. Indeed, the presence of flexibility

* e-mail: Helene.chanal@sigma-clermont.fr

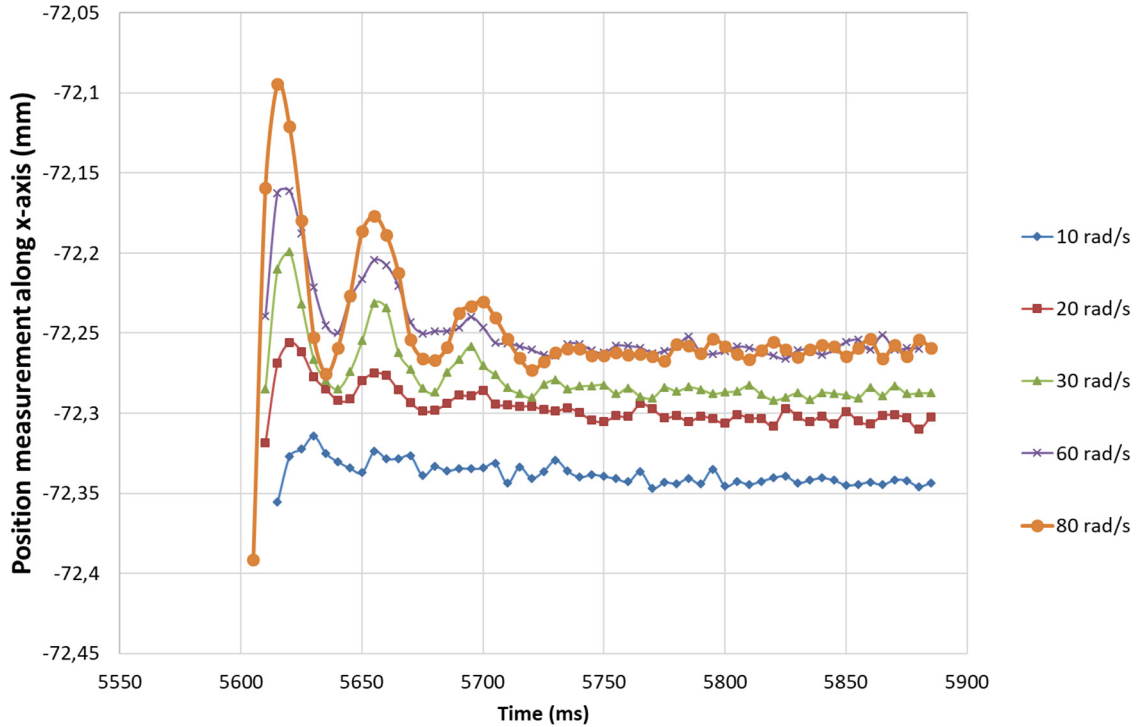


Fig. 1. Vibrations of the end effector due to velocity.

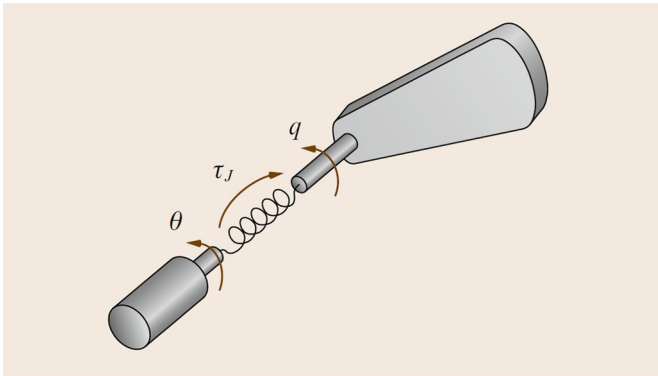


Fig. 2. Schematic representation of a flexible joint robot [7].

in the motion transmission systems of industrial robots is classic due to the use of belts, long shafts, cables, harmonic drive reducers or gears [9]. In very small to medium-sized industrial robots, harmonic drives are frequently used; these drives have low backlash [9]. Thus, backlash is neglected, and classical control law only compensates friction. The difficulty in setting up a control law to compensate joint flexibility is based on the fact that the system for measuring the position and speed of each joint is generally placed before the system of transmitting movement [9]. Thus, there is no direct measurement of the elastic deformation of the joints and its compensation requires to develop dedicated models.

In 1989, Spong proposed modelling joint flexibility using a torsion spring with linear rigidity [14] (Fig. 2).

Multi-body models were established by adding generalized coordinates, corresponding to the deformation of each spring, to the rigid body model [15]. Moberg [16] explained that the improvement of tracking accuracy of a heavy robot requires considering the non-linear behaviour of the transmission system (hysteresis, backlash, friction and non-linear flexibility), and radial and axial joint flexibilities. In addition, the consideration of non-linear behaviour in the control requires the development of complex strategy [17]. Hamon, added a friction model at the transmission system level [18]. Different friction models are currently available in the literature [19]. Thus in many research projects on light weight robots, the flexibility of the joints is often modelled by a torsion spring taking into account dry friction, damping or viscous friction [9,20,21]. To identify stiffness of the joints, Dumas suspended weights at the end effector and measured the deformation using a laser tracker [4]. Other methods based on the analysis of vibration responses were proposed in Gunnarson [22]. However, there is no discussion on the influence of model flexibility parameters and identification errors on vibration decreasing. Thus, the aim of this paper is to identify the critical flexibility parameters for vibration decreasing of a robotic cell (robot and control law).

From this literature review and according to Scara robot behaviour, it seems relevant to authors to model joint flexibilities by a linear torsion spring associated to a damping, a dry friction and a viscous friction. The dynamic model is then established using Lagrange's formalism [23,24]. This model aims to study the influence of control strategy on the vibratory behaviour of the robot.

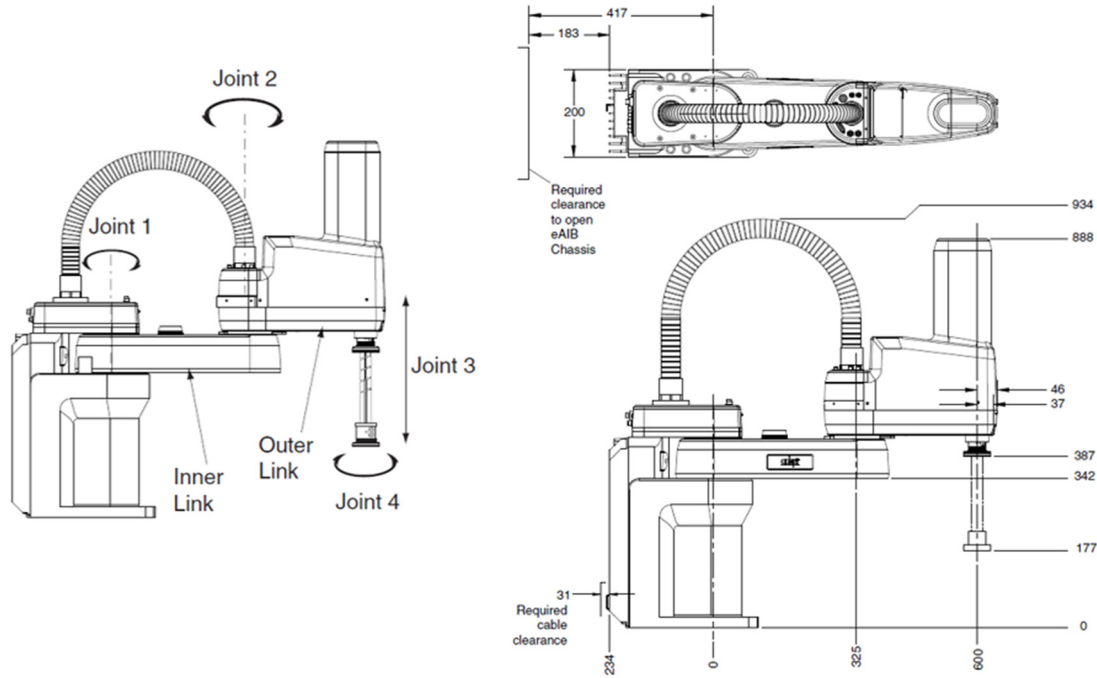


Fig. 3. Adept Scara Cobra S600 robot dimensions.

This article aim is based on the study of the impact of damping and stiffness parameters on the control law performance regarding vibration decreasing and identification errors.

Several control laws have been proposed to solve the problem of controlling trajectory of flexible joint robots. Control strategies proposed are within the field of non-linear and multivariable system control. The particularity of such robots is that elastic deformations are not directly measured and can generate vibration frequencies that limit stabilization time [25,26]. Control techniques like those used for rigid robots can be proposed. Thus, Tomei varied gains of a conventional PD controller to reduce final pose accuracy [27]. An extension of the PD controller taking into account the dynamics of the actuators and friction is proposed by Lozano [23]. In the literature, other more or less complex control strategies are developed to improve the performance of Pick and Place operations. The singular disturbance method can be applied to take joint flexibility into account in the control scheme [26]. Flexibility is then integrated into the control diagram as a disturbance. The loop linearization method allows a non-linear model to be transformed into a linear and decoupled system. Other work focused on the implementation of advanced control strategies such as adaptive, optimal, robust predictive control laws based on neural networks [22].

The contribution of our work is to propose a model-based control strategy in order to quantify the impact of the particular behaviour of the motion transmission chain (stiffness and damping) on the accuracy of the end effector in terms of precision and stabilization time. The robot under study is a Scara robot S600 illustrated on Figure 3.

In order to be able to extend our work to all anthropomorphic robots, we are interested in the first

two axes, which are rotational joints and allow the end effector to move in a horizontal plane.

This paper is organized as follows: modelling and identification of the geometric and dynamic parameters including damping, friction and stiffness is described in Section 2. The vibration control approach is developed in Section 3. Comparison with two other control strategies is also achieved in order to show the effectiveness of the proposed control strategy. Finally, a sensitivity analysis is carried out in Section 4. Conclusion of this research work are presented in Section 5.

2 Modelling and identification of geometric and dynamic parameters

2.1 Geometric and dynamic modelling

This section provides a brief description on the modelling of the robot. The robot segments are perfectly considered rigid and joints are considered geometrically ideal. Geometric parameters of the robot are presented in Figure 4. O_1 and O_2 are centers of joint 1 and joint 2, G_1 and G_2 are centers of mass of solid 1 and solid 2, q_1 and q_2 are articular values of joint 1 and joint 2, L_1 and L_2 are the length of arm 1 and arm 2, and Lc_1 and Lc_2 are the distance between arm center of mass and joint center of arm 1 and arm 2.

The direct geometric model of the Scara robot is written as:

$$\begin{cases} x = L_1 \cos(q_1) + L_2 \cos(q_1 + q_2) \\ y = L_1 \sin(q_1) + L_2 \sin(q_1 + q_2) \end{cases} \quad (1)$$

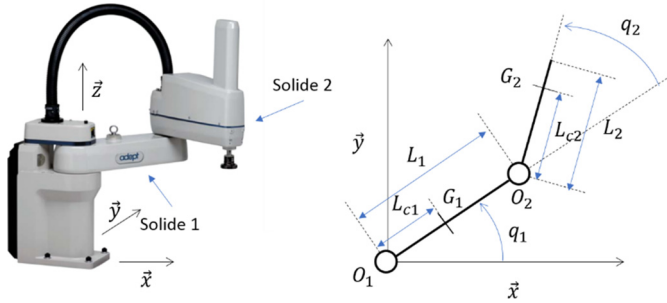


Fig. 4. Geometric modeling of the Adept Scara S600 robot.

where x and y are the coordinates of a point on the end effector in the robot's reference frame $\mathfrak{R}(O_1, \vec{x}, \vec{y})$.

The inverse dynamic model of the rigid robot is determined using Lagrange method.

This model is linear with respect to dynamic parameters [28]:

$$\Gamma_{\text{mid}} = \mathbf{A}(\mathbf{q})\ddot{\mathbf{q}} + \mathbf{C}(\mathbf{q}, \dot{\mathbf{q}})\dot{\mathbf{q}} + \mathbf{F}_v\dot{\mathbf{q}} + \mathbf{F}_s \text{sign}(\dot{\mathbf{q}}) \quad (2)$$

where Γ_{mid} , \mathbf{q} , $\dot{\mathbf{q}}$, $\ddot{\mathbf{q}}$ respectively represent vectors of motor torques, positions, speeds and joint accelerations. $\mathbf{A}(\mathbf{q})$ and $\mathbf{C}(\mathbf{q}, \dot{\mathbf{q}})$ are two square matrices, the inertia matrix and the Coriolis matrix. \mathbf{F}_s and \mathbf{F}_v are vectors containing dry and viscous friction coefficients of both joints.

For this case study, we obtain the following model:

See equation below.

where m_1 and m_2 are the respective masses of links 1 and 2. I_1 and I_2 are the inertia of solids 1 and 2 along the z -axis at their centre of mass G_1 and G_2 .

2.2 Dynamic modelling with flexible articulation of the Scara S600 robot

The robot is modelled as a combination of rigid solid set in motion between them by motorized joints whose transmission system is represented by a spring with a stiffness k_i and a damping coefficient c_i . We note q_i the instruction sent to the articulation motor and q_{ei} the movement transmitted to the solid after the flexible motion transmission system (Fig. 5).

The equations of motion in matrix form are written as:

$$\begin{cases} \mathbf{K}\mathbf{q} + \xi\dot{\mathbf{q}} = \mathbf{A}(\mathbf{q}_e)\ddot{\mathbf{q}}_e + \mathbf{C}(\mathbf{q}_e, \dot{\mathbf{q}}_e)\dot{\mathbf{q}}_e + \mathbf{K}\mathbf{q}_e + \xi\dot{\mathbf{q}}_e \\ \mathbf{K}\mathbf{q}_e + \xi\dot{\mathbf{q}}_e + \Gamma_m = \mathbf{K}\mathbf{q} + \xi\dot{\mathbf{q}} + \mathbf{F}_v\dot{\mathbf{q}} + \mathbf{F}_s \text{sign}(\dot{\mathbf{q}}) \end{cases} \quad (3)$$

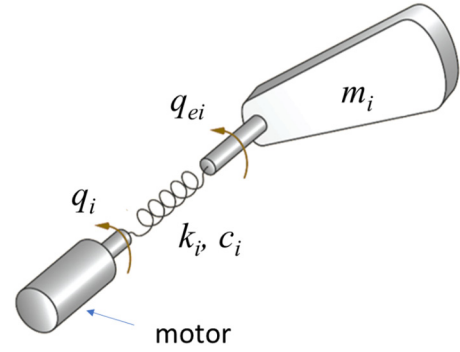


Fig. 5. Parameter setting of the dynamic model with flexible joint.

where ξ and \mathbf{K} are respectively damping and stiffness matrices such that:

$$\xi = \begin{bmatrix} \xi_1 & 0 \\ 0 & \xi_2 \end{bmatrix}, \quad \mathbf{K} = \begin{bmatrix} \kappa_1 & 0 \\ 0 & \kappa_2 \end{bmatrix}$$

The system's natural frequencies ω_i and mode equation:

$$([\mathbf{K}] - [\mathbf{A}] \cdot \omega_i^2) \cdot \mathbf{Q} = (\mathbf{0}) \quad (4)$$

$$\Leftrightarrow \begin{bmatrix} k_1 - A_{11} \cdot \omega_i^2 & -A_{12} \cdot \omega_i^2 \\ -A_{21} \cdot \omega_i^2 & k_2 - A_{22} \cdot \omega_i^2 \end{bmatrix} \begin{Bmatrix} q_1 \\ q_2 \end{Bmatrix} = \begin{Bmatrix} 0 \\ 0 \end{Bmatrix}$$

The accuracy of these models is obtained from a modal identification procedure. In a first time, a geometric identification is realized before the identification of dynamic parameters.

2.3 Geometric identification

The geometric parameters of the model are arm lengths L_1 and L_2 . Measurement of the end effector position is carried out using a Leica AT901 Laser Tracker, the target being positioned at the end of the robot at axis 4. According to the Scara geometrical behaviour, we choose to perform the identification using points measured statically during two types of displacements:

- Displacement of q_1 with fixed q_2 (Fig. 6a). The end effector follows a circular trajectory of center O_1 . 20 positions are measured over an angle near 45° . A least squares plane P of all these measuring points is then determined as the displacement plane of the end effector. The measured points are then projected into this plane

$$\begin{aligned} \Gamma_{m1} &= (m_1 L_{c1}^2 + m_2 L_{c2}^2 + m_2 L_1^2 + 2L_1 m_2 L_{c1} \cos q_2 + I_1 + I_2) \ddot{q}_1 \\ &\quad + (m_2 L_{c2}^2 + m_2 L_1 L_{c1} \cos q_2 + I_2) \ddot{q}_2 - 2m_2 L_{c1} L_1 \sin q_2 \dot{q}_1 \dot{q}_2 \\ &\quad - m_2 L_{c1} L_1 \sin q_2 \dot{q}_2^2 + F_{s1} + F_{v1} \dot{q}_1. \\ \Gamma_{m2} &= (m_2 L_{c2}^2 + L_1 m_2 L_{c1} \cos q_2 + I_2) \ddot{q}_1 + (m_2 L_{c2}^2 + I_2) \ddot{q}_2 \\ &\quad + m_2 L_{c1} L_1 \sin q_2 \dot{q}_1^2 + F_{s2} + F_{v2} \dot{q}_2 \end{aligned}$$

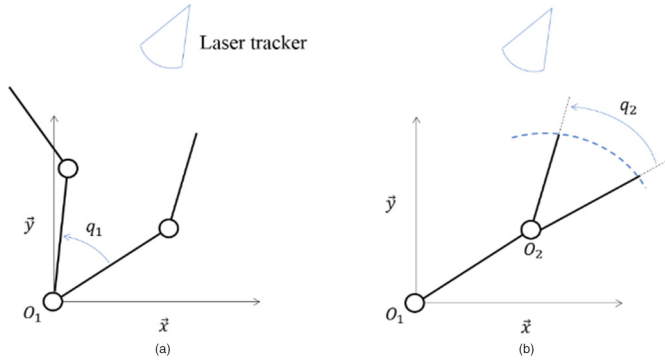


Fig. 6. Displacements made during the identification of geometric parameters. (a) Movement of q_2 with q_1 fixed. (b) Movement of q_2 with q_1 fixed.

before calculating the least squares circle of these points. We thus determine the position of its center point O_1 in the measuring frame and its radius R .

- Displacement of q_2 with fixed q_1 (Fig. 6b). Trajectory followed by the end-effector is a circle of center O_2 and radius L_2 . 14 positions are measured over an angle near 40° . By projecting these points into the plane P and calculating the associated least square circle, we determine the length L_2 and coordinates of O_2 in the measurement frame.

Finally, the length L_1 is determined as the distance between O_1 and O_2 . The values identified are: $L_1 = 324.489$ mm and $L_2 = 275.019$ mm (nominal values are 325 mm for L_1 and 275 mm for L_2). These results are validated on 5 randomly selected positions in the workspace. For these 5 positions, mean error between calculated positions by the direct geometric model and those measured by the laser is 0.2 mm and the standard deviation is 0.03 mm.

2.4 Dynamic parameters identification

Dynamic parameters are different kind of quantity (stiffness, damping, inertia, friction and position of mass centre). These parameters have to be identified with different type of data.

2.4.1 Identification of joint stiffness and damping

The identification of the joint stiffness and damping can be done from the determination of system's natural frequencies by modal analysis (Fig. 7). The modal analysis is performed using LMS-TAB software.

Three configurations have been chosen to measure natural frequencies of the robot: extended arm ($q_2 = 0^\circ$), arm bent at 45° ($q_2 = 45^\circ$) and arm bent at 90° ($q_2 = 90^\circ$). Once the accelerometers are in place, the measurement protocol is done in two steps:

Step 1: we apply an excitation force at the end effector using an impact hammer.

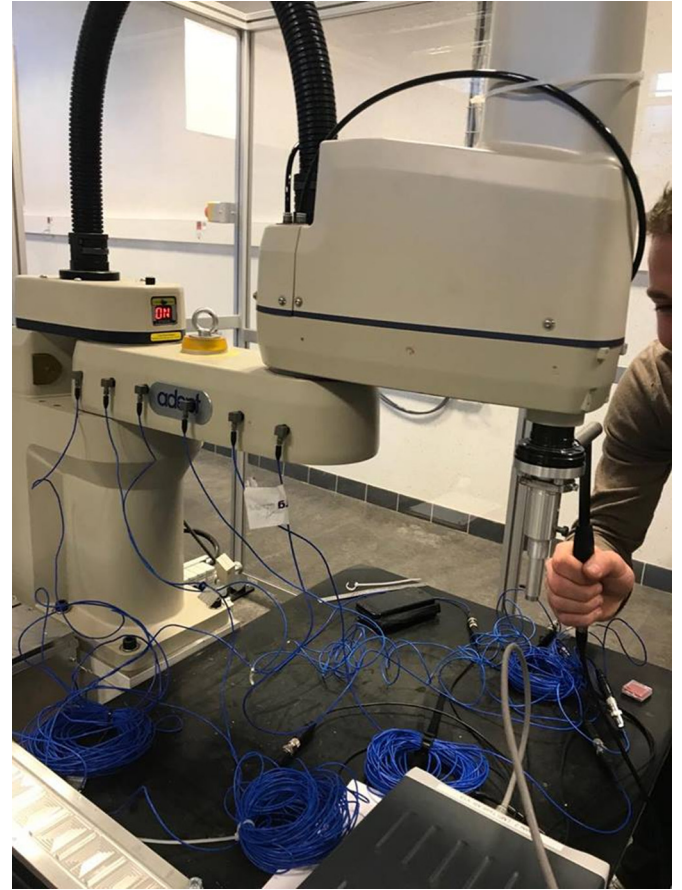


Fig. 7. Experimental setup of modal analysis.

Step 2: After choosing the bandwidth for signal acquisition, the frequencies are then selected manually by using PolyMax identification procedure. The software proposes unstable and stable modes representative of numerical or structural modes for the results. Then, only the so-called "stable" modes are selected.

Observation of the modal shape of the model shows that the first 2 modes are associated to the deformation of joints 1 and 2.

For the identification of stiffness and damping parameters of joints 1 and 2, the first 2 modes are considered (Tab. 1).

The others dynamic parameters are then identified from motor torque measurement.

2.4.2 Dynamic identification

According to equations (2), (10) parameters must be identified for the rigid dynamic model:

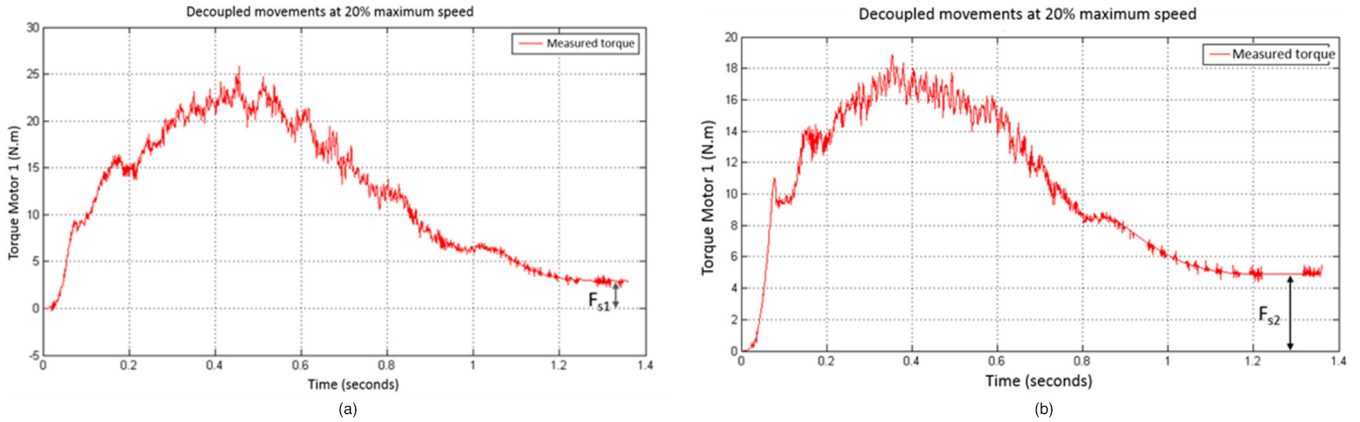
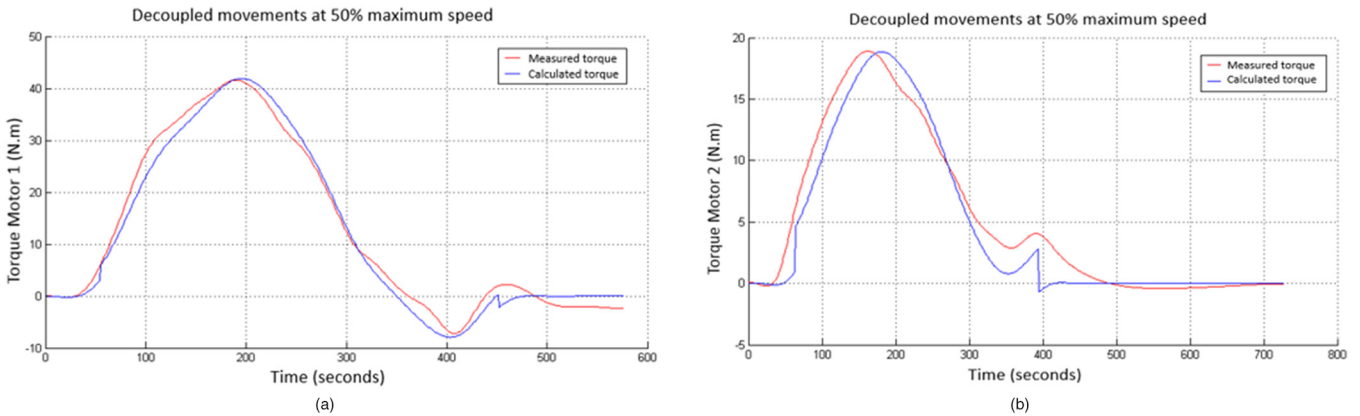
$$(m_1 \ m_2 \ L_{c1} \ L_{c2} \ I_1 \ I_2 \ F_{s1} \ F_{s2} \ F_{v1} \ F_{v2}).$$

The identification procedure is done in four steps using the same trajectory performed at different speeds:

Step 1: The robot goes from position A to position B in the joint space.

Table 1. Frequency and damping for the three configurations.

Modes	Extended arm		Arm 2 bent at 45°	Arm 2 bent at 90°
	Frequency (Hz)	Damping ζ (%)	Frequency (Hz)	Frequency (Hz)
1	20.33	9.51	24	31.98
2	81.96	2.18	80	75.01

**Fig. 8.** Dry friction identification. (a) Dry friction joint 1. (b) Dry friction joint 2.**Fig. 9.** Measured and calculated torque. (a) Motor 1: Measured and calculated torque. (b) Motor 2: Measured and calculated torque.

Step 2: The torque is not directly measurable. It is deduced from the measurement of the motor current by the following relationship for axis j :

$$\Gamma_{mes_j} = v_j * K_j, K_j = R_j * g_j * K_T \quad (5)$$

where v_j is the value of the motor current, R_j the reduction ratio of the joint, g_j the static gain of the amplifier, K_T the torque coefficient of the motor.

Step 3: We calculate the torque Γ_{mdi} from equation (2). To do so, we measure the angular position with the encoder of each motorized axis. The estimation of acceleration and speed is then computed by numerical derivation and Butterworth filtering of this last measurement [29,30].

Step 4: The identification procedure is achieved by minimizing the following cost function:

$$f_{cost} = \sum_i (\Gamma_{mes}(t) - \Gamma_{mdi}(t))^2 \quad (6)$$

First of all, the dry friction parameters were identified using a low speed movement (axis by axis). The trajectory is composed of two movements: firstly, movement of q_1 with fixed q_2 and secondly, movement of q_2 with fixed q_1 (Fig. 8).

For the rest of the parameters, trajectory is the same as before but with higher speed. Measured torques during movement of axis 1 and then axis 2 are isolated and used to perform the identification. After optimization (Fig. 9), the mean error is 0.648 N m and the standard deviation is 1.676 N m.

Table 2. Identified dynamic parameters.

Ident. Param.	m_1 (kg)	m_2 (kg)	Lc_1 (m)	Lc_2 (m)	I_1 (N m ²)	I_2 (N m ²)
Values	12	6.21	0,12	0.225	0.082	0.212
Ident. Param.	F_{s1} (N m)	F_{s2} (N m)	F_{v1} (N m)	F_{v2} (N m)	k_1 (N m/rad)	k_2 (N m/rad)
Values	2.73	3.61	23.12	8.915	124743	12062

To identify the stiffness of the joints, we couple the cost function expressed by equation (6) with another cost function which compares the natural frequencies measured with the modal analysis and estimated by the model (Eq. (4)). Values of these modes varies according to q_2 as the inertia matrix is a function of q_2 (Eq. (2)). Identified parameters are found in Table 2. The parameters already identified in the previous section are validated with a random trajectory made by the end effector. The mean error is 1.4 N.m and standard deviation is 3 N.m.

To finalize the identification process, damping parameters values have to be determined.

2.4.3 Damping identification

The modal analysis allowed us to determine the two modes corresponding to deformations of joint 1 and joint 2. Damping ratios are evaluated for these two modes. We only consider the first extended arm configuration for identifying joint damping because all accelerometers and hammer chock are oriented tangent to the displacement of joint 1 and 2. Thus, in this configuration, joints are directly loaded by hammer chock and their vibration amplitudes are directly measured by accelerometers. This makes it possible to link the measured damping to the torsional damping at each joint. Finally, damping coefficients of joint 1 and joint 2 are deduced from measured damping ratios (ζ) for these two modes according to robot configuration using the following relation:

$$\mathbf{C}_d = 2 \cdot \zeta \cdot \sqrt{\mathbf{K}_d \mathbf{A}_d}$$

where ζ is the measured damping ratio matrix and \mathbf{C}_d , \mathbf{K}_d , \mathbf{A}_d respectively the diagonalized matrixes of joint damping, stiffness and inertia. Damping parameters are finally determined as follows, $c_1=57.484 \text{ N.m.s. rad}^{-1}$ and $c_2=12.983 \text{ N.m.s. rad}^{-1}$.

After the identification process, the identified model is used to define a model-based control law.

3 Model based flexible control (MBC) law

In this chapter we develop a computed torque control law taking into consideration joint flexibilities. Validity and benefit of this control law for flexible joint robot is evaluated through advanced simulations. All the values of identified parameters in previous chapter is integrated in the simulator in order to have a representation as close as possible to the real behaviour of robot. Before reaching this stage, we define a trajectory generator in the articular

space, and develop a methodology for tune gains of the used corrector in order to compare similarly different kind of control laws.

3.1 Control law scheme

The equation of motion governing the variable qe is obtained from the relationship (3):

$$\Gamma_m = \xi \Delta \dot{\mathbf{q}}_e + \mathbf{k} \Delta \mathbf{q}_e + \mathbf{F}_s \cdot \text{sign}(\dot{\mathbf{q}}) + \mathbf{F}_v \cdot \dot{\mathbf{q}} \quad (7)$$

$$\Gamma_e = \xi \Delta \dot{\mathbf{q}}_e + \mathbf{k} \Delta \mathbf{q}_e$$

$$\Gamma_e = \Gamma_m - \mathbf{F}_s \cdot \text{sign}(\dot{\mathbf{q}}) - \mathbf{F}_v \cdot \dot{\mathbf{q}}$$

$$\leftrightarrow \Delta \mathbf{q}_e = \frac{\Gamma_e}{\mathbf{k} + \mathbf{p} \cdot \xi} = \frac{\Gamma_m - \mathbf{F}_s \cdot \text{sign}(\dot{\mathbf{q}}) - \mathbf{F}_v \cdot \dot{\mathbf{q}}}{\mathbf{k} + \mathbf{p} \cdot \xi}$$

(Laplace transform)

where Γ_m and Γ_e are respectively the motor torque and the elastic torque, and $\Delta \mathbf{q}_e = \mathbf{q} - \mathbf{q}_e$.

On the other hand, the equation of motion is written as:

$$\Gamma_m = \mathbf{A}(\mathbf{q}_e) \cdot \ddot{\mathbf{q}}_e + \mathbf{C}(\mathbf{q}_e, \dot{\mathbf{q}}_e) \cdot \dot{\mathbf{q}}_e + \mathbf{F}_v \cdot \dot{\mathbf{q}} + \mathbf{F}_s \cdot \text{sign}(\dot{\mathbf{q}}) \quad (8)$$

where $\mathbf{q}_e = \mathbf{q} - \Delta \mathbf{q}_e$.

These two relationships (Eqs. (7) and (8)) are the basis of the new control law based on the dynamic model of a manipulator with flexible joints. Flexibility of joints is presented in the control diagram as a feedback loop (orange block). In absence of gravity effect, PD control strategies are asymptotically stable and do not require addition of an integrator [31]. The control scheme corresponding to this computed torque control law is defined in Figure 10.

To validate and to illustrate the benefit and limit of the proposed control law, firstly, we develop an advanced simulation with Adams' and Simulink. Secondly, we make a comparative analysis with two control strategies applied to same simulator. Simulations results are presented in a comparative table.

3.2 Adams simulink co-simulation unit

The numeric model of a robot with 2 degrees of freedom was developed in Adams software. The idea is to use its mechanism solver to simulate robot motion generated by discretised setpoint computed by the control law.

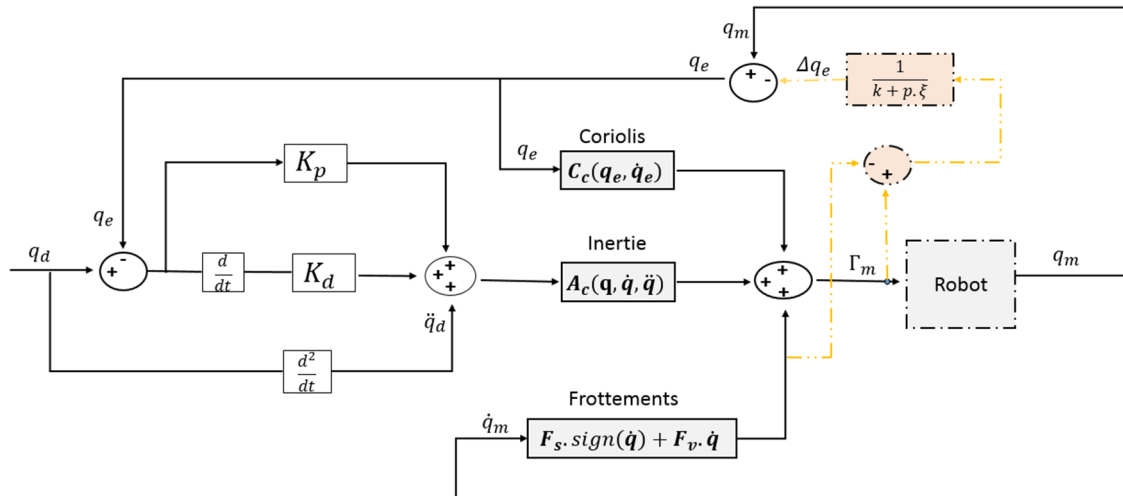


Fig. 10. New computed torque control law for flexible joint manipulator (MBC).

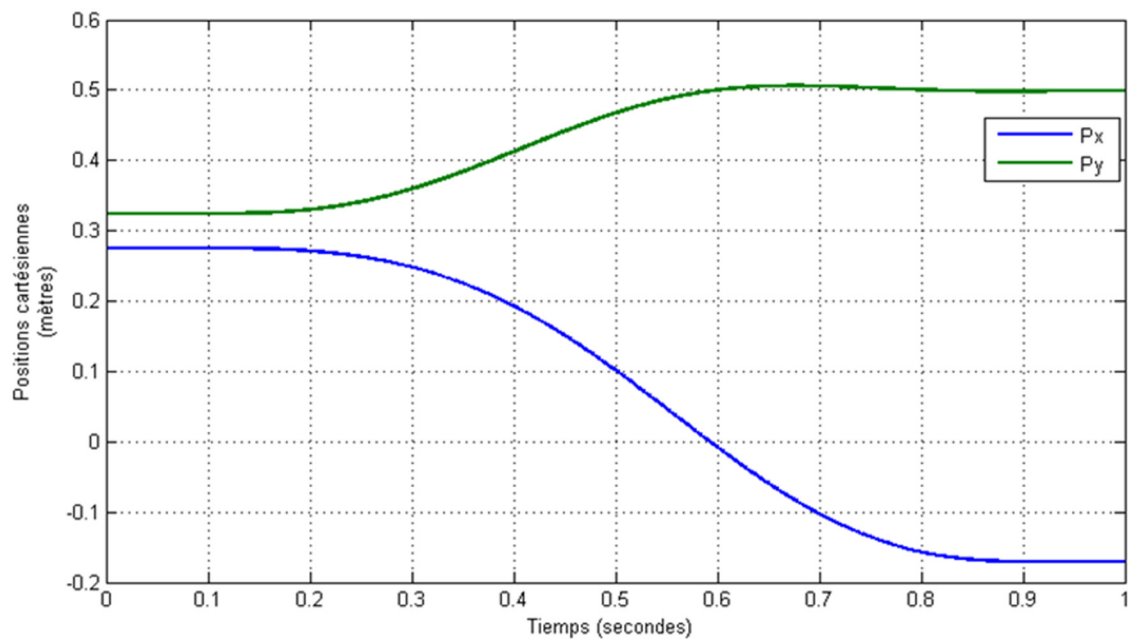


Fig. 11. Program tool path in the cartesian space.

The dimensions and dynamic characteristics correspond to the one identified on the Scara S600 robot of SIGMA Clermont's technological platform. The control laws are implemented in Simulink. The numeric model defined in Adams is set in motion via a co-simulation. The flexibility of the connections is represented under Adams by a linear torsion spring modelled by stiffness and damping. Two segments of negligible mass compared to that of the two robot axes ($m_1 = m_2 = 0.15$ kg) are added to perform the simulation with flexible connections. The movement of these two segments is controlled. The segments are in rotational connection with the robot elements and the

movement is transmitted by the springs. The robot model is defined geometrically and dynamically using the parameters identified above.

3.3 Trajectory generation and gain correction

To be consistent with a classical robotized path, the trajectory followed in this work is described with a five-degree polynomial function, which ensures a position, velocity and acceleration movement continuities without excessive dynamic load (Fig. 11). The maximum velocity and acceleration are those of Scara robot (max velocity:

Table 3. Initial and desired positions.

Positions	Initial	Desired
P_x (m)	0.324489	-0.1709
P_y (m)	0.275019	0.498
q_1 (rad)	$\pi/2$	$3*\pi/4$
q_2 (rad)	$-\pi/2$	-1

joint 1: 386 deg/s and joint 2: 720 deg/s; max acceleration: joint 1: 386 deg/s² and joint 2: 720 deg/s²).

Gain tuning is realized to avoid oscillations, and in accordance with the response time at 5% ($t_r 5\%$) of position loop. Thus, an appropriate adjustment [20] is:

$$\begin{cases} w_d = \frac{5}{t_r 5\%} \\ K_p = w_d^2 \\ K_d = 2w_d \end{cases} \quad (9)$$

where K_p and K_d represents respectively proportional and derivative gains of the PD corrector. In the following paragraph, we develop a robot position control using the co-simulation tool Adams and Simulink. Initially, the robot is positioned in a configuration where arms are perpendicular. Initial and desired operational and Cartesian positions of the robot end effector are defined in Table 3.

3.3.1 Modal based control (MBC) law

This control law is our new computed torque control law for flexible joint manipulator.

The gain setting used is the one defined in equation (9). For this law, we choose a response time at 5% ($t_r 5\%$) of 0.0143 seconds for an adequate setting. Thus $w_d = \frac{5}{t_r 5\%} = 350$, the gains obtained for the two rotation axes are $K_{d1} = K_{d2} = 700$ and $K_{p1} = K_{p2} = 122500$. Evolution curves of the positioning error in both joint and Cartesian spaces are shown in Figure 12a.

Desired position is reached with a maximum trajectory tracking error of 1 millimetre along x -direction and half a millimetre in y -direction. The mean errors and standard deviation are in the order of 10^{-4} meters and 10^{-6} radians in Cartesian and articular spaces, respectively. At the end of the task, robot's behaviour is stable, positioning error is 10^{-9} meters and an accuracy of $1 \mu\text{m}$ is achieved after 0.913 s.

3.3.2 Rigid control

In order to show the benefit to consider flexibilities in the control loop, a control law dedicated to rigid robots (Fig. 13) is applied to the same Adams robot model with flexible joints.

The gain tuning used to minimize the error is defined in the equation (9). For a $t_r 5\%$ of 0.0143 seconds (identical to that of the MBC control law), joint flexibilities are highly stressed, vibrations appear, and desired positions are never

reached because the robot never converges to a fixed position. The system stabilizes for a $t_r 5\%$ of 0.3846 seconds, and the proportional and derivative gains are 169 and 26, respectively.

3.3.3 Feedforward control

In this section, a feedforward control combined with a PD control is applied to the same simulator (Fig. 14). An adequate adjustment [19] of the K_p and K_d gains to control the transient behaviour of the error is:

$$\begin{cases} K_p = a_{11}w_d \\ K_d = 2a_{11}\xi w_d - c_{11} \end{cases} \text{ and } \begin{cases} w_d = \frac{5}{t_r 5\%} \xi = 1 \end{cases} \quad (10)$$

where the element a_{11} designate maximum value of matrix \mathbf{A}_{\max} and has the value 1.9117. Similarly, c_{11} has the value 1.14. For a proper gain adjustment, $t_r 5\%$ is fixed at 0.103 seconds. Thus, the gains obtained for both rotational axes are: $K_p = 182$ and $K_d = 4441$.

Results of the simulations are presented in Figure 12 and in the comparative balance sheet table (Tab. 4).

As a quick interpretation, MBC control law (considering joint flexibilities as a feedback loop in the control diagram) provides an additional performance advantage over all other control laws in terms of end effector placement accuracy and stability time with a benefit of 10% and 50% according to feedforward and rigid control respectively (Pick and Place operation requirements).

However, model-based control law can be sensitive to identification errors. A sensitivity analysis ensures to determine critical parameters for such control law strategy.

4 Sensitivity analysis

This sensitivity analysis ensures to determine critical flexible joint parameters with regard to vibration decreasing. The fact that we use a model-based control law strategy allows us to only focus on the influence of mechanical parameters used to describe joint behaviour.

The torques applied to flexible connections, according to estimated dynamic parameters $\hat{\chi}$, are obtained from the following model:

$$\Gamma_{\mathbf{m}} = \hat{\mathbf{A}}(\mathbf{q}_e) \cdot \mathbf{U} + \hat{\mathbf{C}}(\mathbf{q}_e, \dot{\mathbf{q}}_e) \cdot \dot{\mathbf{q}}_e + \hat{\mathbf{F}}_s \cdot \text{sign}(\dot{\mathbf{q}}) + \hat{\mathbf{F}}_v \cdot \dot{\mathbf{q}} \quad (11)$$

where $\hat{\mathbf{A}} = \mathbf{A}(\hat{\mathbf{x}})$ et $\hat{\mathbf{C}} = \mathbf{C}(\hat{\mathbf{x}})$ and \wedge is the symbol of estimation notion.

Thus, control law \mathbf{U} is defined by the following relationship:

$$\mathbf{U} = \ddot{\mathbf{q}}_d + \mathbf{k}_p \cdot \mathbf{e} + \mathbf{k}_d \cdot \dot{\mathbf{e}} \quad (12)$$

where $\mathbf{e} = \mathbf{q}_d - \mathbf{q}_e$, $\dot{\mathbf{e}} = \dot{\mathbf{q}}_d - \dot{\mathbf{q}}_e$, $\ddot{\mathbf{e}} = \ddot{\mathbf{q}}_d - \ddot{\mathbf{q}}_e$

Let consider that equation (3) is equal to equation (11):

$$\begin{aligned} \hat{\mathbf{A}}(\mathbf{q}_e) \cdot \mathbf{U} + \hat{\mathbf{C}}(\mathbf{q}_e, \dot{\mathbf{q}}_e) \cdot \dot{\mathbf{q}}_e + \hat{\mathbf{F}}_s \cdot \text{sign}(\dot{\mathbf{q}}) + \hat{\mathbf{F}}_v \cdot \dot{\mathbf{q}} \\ = \mathbf{A}(\mathbf{q}_e) \cdot \ddot{\mathbf{q}}_e + \mathbf{C}(\mathbf{q}_e, \dot{\mathbf{q}}_e) \cdot \dot{\mathbf{q}}_e + \mathbf{F}_s \cdot \text{sign}(\dot{\mathbf{q}}_e) + \mathbf{F}_v \cdot \dot{\mathbf{q}}_e \end{aligned} \quad (13)$$

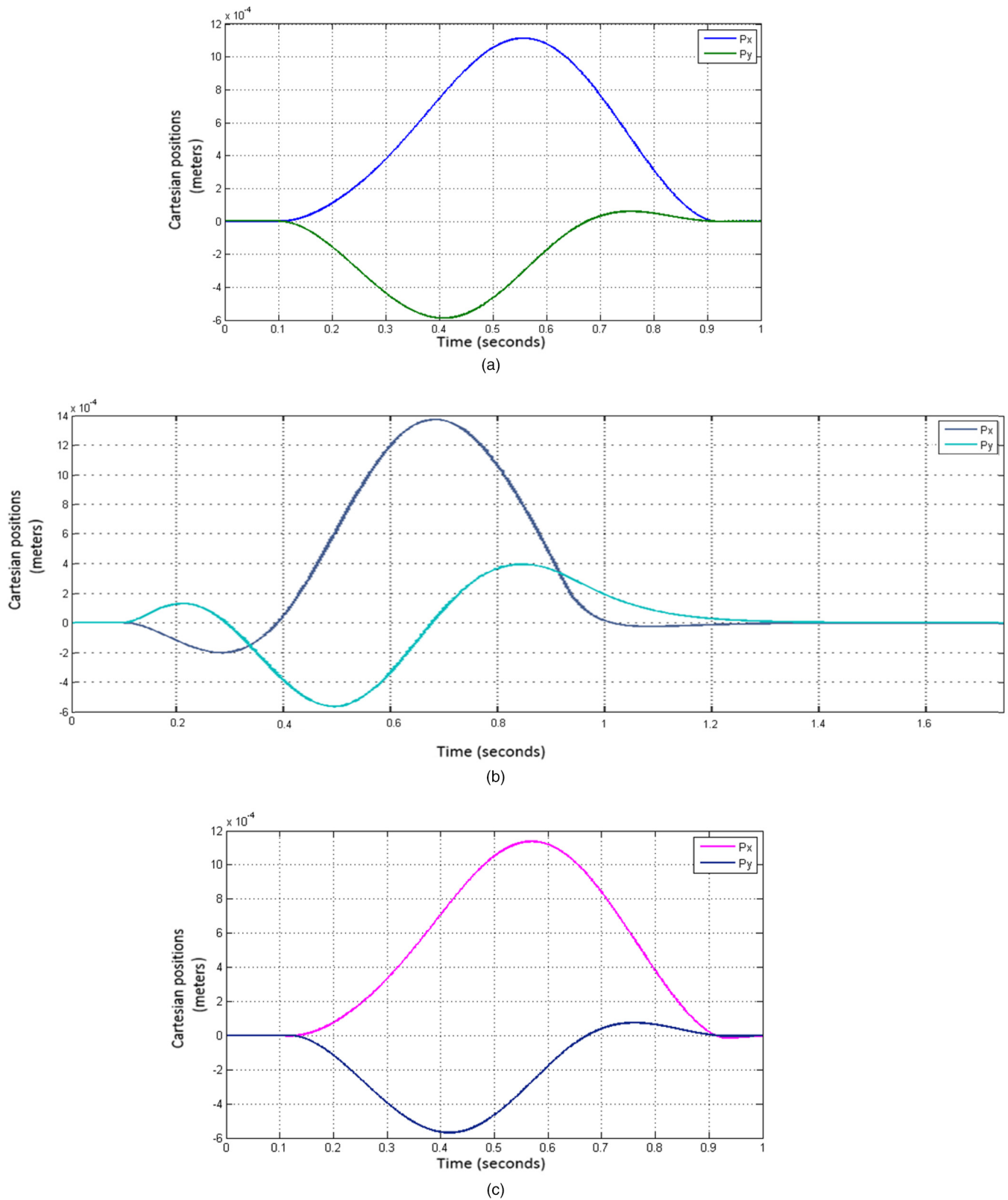


Fig. 12. Joint and Cartesian positioning errors. (a) Cartesian positioning errors for MBC. (b) Cartesian positioning errors for rigid control. (c) Cartesian positioning errors for feedforward control.

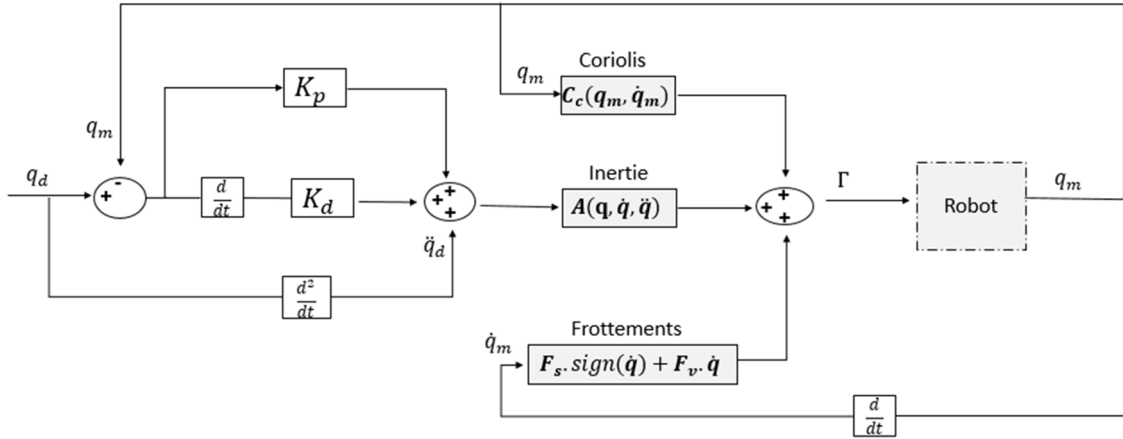


Fig. 13. Control law dedicated to rigid robots applied to robots with joint flexibility.

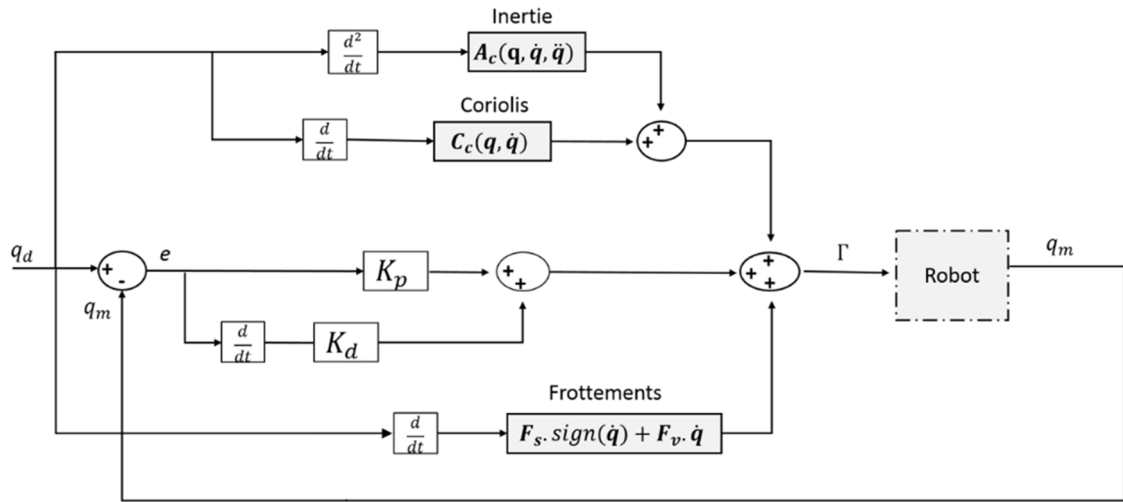


Fig. 14. Feedforward control.

Table 4. Comparison table of the tree control laws.

Control laws	Max error (10^{-3} m)		$t_{r5\%}$ (s)	Gain	Time needed for a precision of $1 \mu\text{m}$ (s)	End effector precision (m)
	X	Y				
MBC	1.1	0.58	0.0143	$K_p = 122500$ $K_d = 700$	0.913	10^{-9}
Rigid	1.4	0.6	0.3846	$K_p = 169$ $K_d = 26$	1.498	10^{-6}
Feedforward	1.2	0.58	0,103	$K_p = 4441$ $K_d = 184$	1.0205	10^{-6}

By substituting \mathbf{U} with its expression in equation (12) and eliminating the terms of dry and viscous friction on both sides of this equality, equation (13) becomes:

$$\begin{aligned} \hat{\mathbf{A}}(\mathbf{q}_e) \cdot (\ddot{\mathbf{q}}_d + \mathbf{k}_p \cdot \mathbf{e} + \mathbf{k}_d \cdot \dot{\mathbf{e}}) + \hat{\mathbf{C}}(\mathbf{q}_e, \dot{\mathbf{q}}_e) \cdot \dot{\mathbf{q}}_e \\ = \mathbf{A}(\mathbf{q}_e) \cdot \ddot{\mathbf{q}}_e + \mathbf{C}(\mathbf{q}_e, \dot{\mathbf{q}}_e) \cdot \dot{\mathbf{q}}_e \end{aligned}$$

By adding and subtracting $\hat{\mathbf{A}}(\mathbf{q}_e) \cdot \ddot{\mathbf{q}}_e$ we obtain:

$$\begin{aligned} \Leftrightarrow \hat{\mathbf{A}}(\mathbf{q}_e) \cdot (\mathbf{k}_p \cdot \mathbf{e} + \mathbf{k}_d \cdot \dot{\mathbf{e}}) \\ = \mathbf{A}(\mathbf{q}_e) \cdot \ddot{\mathbf{q}}_e - \hat{\mathbf{A}}(\mathbf{q}_e) \cdot \ddot{\mathbf{q}}_e + \mathbf{C}(\mathbf{q}_e, \dot{\mathbf{q}}_e) \cdot \dot{\mathbf{q}}_e - \hat{\mathbf{C}}(\mathbf{q}_e, \dot{\mathbf{q}}_e) \cdot \dot{\mathbf{q}}_e \\ + \hat{\mathbf{A}}(\mathbf{q}_e) \cdot \ddot{\mathbf{q}}_e - \hat{\mathbf{A}}(\mathbf{q}_e) \cdot \ddot{\mathbf{q}}_e \end{aligned}$$

Table 5. Sensitivity analysis results.

Type of defect	$t_r 5\%$ (s)	Gain	Time needed for a precision of $1 \mu\text{m}$ (s)
no	0.0143	$K_p = 122500$ $K_d = 700$	0.913
12% on inertia	0.0154	$K_p = 105625$ $K_d = 650$	0.923
10% on stiffness	0.0286	$K_p = 30625$ $K_d = 350$	0.932
10% on damping	0.0358	$K_p = 19600$ $K_d = 280$	0.942

$$\begin{aligned} &\Leftrightarrow \hat{\mathbf{A}}(\mathbf{q}_e) \cdot (\ddot{\mathbf{e}} + \mathbf{k}_d \cdot \dot{\mathbf{e}} + \mathbf{k}_p \cdot \mathbf{e}) \\ &= \left(\mathbf{A}(\mathbf{q}_e) - \hat{\mathbf{A}}(\mathbf{q}_e) \right) \cdot \ddot{\mathbf{q}}_e + \left(\mathbf{C}(\mathbf{q}_e, \dot{\mathbf{q}}_e) - \hat{\mathbf{C}}(\mathbf{q}_e, \dot{\mathbf{q}}_e) \right) \cdot \dot{\mathbf{q}}_e \end{aligned} \quad (14)$$

Let: $\tilde{\mathbf{A}} = \mathbf{A} - \hat{\mathbf{A}}$ and $\tilde{\mathbf{C}} = \mathbf{C} - \hat{\mathbf{C}}$ equation (14) can finally be written as follows:

$$\ddot{\mathbf{e}} + \mathbf{k}_d \cdot \dot{\mathbf{e}} + \mathbf{k}_p \cdot \mathbf{e} = \hat{\mathbf{A}}(\mathbf{q}_e)^{-1} (\tilde{\mathbf{A}}(\mathbf{q}_e) \cdot \ddot{\mathbf{q}}_e + \tilde{\mathbf{C}}(\mathbf{q}_e, \dot{\mathbf{q}}_e) \cdot \dot{\mathbf{q}}_e) \quad (15)$$

Normally, the error and its derivative converge towards 0 in a second order determined by the servo gains. However, in equation (15), the second member is not null but depends on identify values of inertial parameters and joint flexibilities (stiffness and damping). Hence, this equation illustrates the need to take into consideration the joint flexibility in the control. These three parameters are subject to estimation inaccuracies. A sensitivity study is conducted to quantify the impact of these errors on the vibration behaviour. This sensitivity analysis is realised by isolating each source of error in order to determine its influence separately by numerical simulations.

4.1 Errors in the estimation of inertia

In order to study the influence of inertial values on the performance of our new model-based control (MBC) law, we realise several simulations of the MBC control law (with same settings of PD gains) with 2% error steps on inertial parameters. For errors below 12%, simulation results confirm that the control is able to adapt avoid vibrations at the end of the movement. Starting from 12%, vibrations related to instability phenomena appear.

4.2 Errors in joint stiffness

The relevance of MBC is evaluated for a case where values of joint stiffness present defect with regard to implemented one in Adams model. In this purpose, we apply the same test as before but with a 1% error step (since the impact of these errors is then greater). Simulations reveals that vibrations appears from errors of 3% in joint stiffness. These vibrations can be controlled by minimizing the

performance of the control law due to an increase in response time at 5% ($t_r 5\%$) and consequently a decrease in the corrector gains.

4.3 Errors in joint damping

The impact of these errors is significantly very important. Vibrations appear from a 3% error on damping. These vibrations can be controlled by minimizing the performance of the control law due to an increase in response time at 5% ($t_r 5\%$) and consequently a decrease in the corrector gains.

Table 5 resume all the sensitivity test and the decreasing of performances due to an increasing of $t_r 5\%$. Thus, we can show that damping and stiffness is critical parameters for vibration control. However, there is work on stiffness joint robot identification and just few on damping. Thus, this work demonstrates a huge need to develop accurate methodology to identify joint damping parameter.

5 Conclusion

In this work we have developed a new model-based control law dedicated to manipulators with flexible joints to control vibrations behaviour during Pick and Place operations. Simulations are applied on a Scara robot with 2 Degree of freedom, so that this law is applicable to more complex structures. We have modelled and identified the geometric and dynamic parameters of a Sacra robot including friction, stiffness and damping. MBC law dedicated to robots with joints flexibility is then developed using Simulink after defining the trajectory and PD correction system. Advanced simulations results in terms of response time and maximum and average trajectory errors clearly shows the relevance of the proposed approach integrating joint flexibilities as a feedback loop in control diagram. In parallel, its performance is validated due to comparisons with other control laws. Finally, we concluded this work by a sensitivity analysis to modelling errors. We demonstrate, by calculations, that joint flexibilities and damping are influential on the modelling error which indicates the importance of taking them into consideration for the control accuracy of robot vibrations.

Nomenclature

$\mathbf{A}(\mathbf{q})$	The inertia matrix
$\mathbf{C}(\mathbf{q}, \dot{\mathbf{q}})$	Coriolis matrix
ξ	Damping matrix
\mathbf{F}_s	Vector containing dry friction coefficients of joints
\mathbf{F}_v	Vector containing viscous friction coefficients of joints
O_i	Center of joint i
G_i	Center of mass of solid i
g_j	Static gain of the amplifier
Γ_{mdi}	Vectors of motor torques
Γ_m	Motor torque
Γ_e	Elastic torque
I_i	Inertia of solids i along the z -axis
\mathbf{K}	Stiffness matrix
K_p and K_d	Respectively proportional and derivative gains of the PD corrector
K_T	Torque coefficient of the motor
L_i	i th arm length
L_{ci}	Distance between i th arm center of mass G_i and i th joint center O_i
m_i	Masses of links i
v_j	Motor current
ω_i	System's natural frequencies
$\mathbf{q}, \dot{\mathbf{q}}, \ddot{\mathbf{q}}$	Positions, speeds and joint accelerations
q_{ei}	The movement transmitted to the solid after the flexible motion transmission system
q_i	Instruction sent to the motor
$\mathfrak{R}(O_1, \vec{x}, \vec{y})$	Robot's reference frame
R_j^i	Reduction ratio of the joint
(x, y)	Coordinates of a point on the end effector in the robot's reference frame
ζ	Measured damping ratio matrix
$\hat{\chi}$	Estimated dynamic parameters

This work was supported by a PhD funding from the city of AL ABDEH (LIBAN).

References

- [1] ISO 9283, Manipulating Industrial Robots – Performance Criteria and Related Test Methods, 1993
- [2] F. Colas, Synthèse et réglage de lois de commande adaptées aux axes souples en translation – Application aux robots cartésiens 3 axes, Thèse, École Centrale de Lille, 2007
- [3] M. Oueslati, Contribution à la modélisation dynamique, l'identification et la synthèse de lois de commande adaptées aux axes flexibles d'un robot industriel, Thèse, Arts et Métiers ParisTech – Centre de Lille, 2013
- [4] C. Dumas, S. Caro, S. Garnier, Joint stiffness identification of six-revolute industrial serial robots, *Robot. Comput. Integr. Manuf.* **27** (2011)
- [5] K. Melhem, W. Wang, S. Member, Global output tracking control of flexible joint robots via factorization of the manipulator mass matrix, *IEEE Trans. Robot.* **25**, 2 (2009)
- [6] G. Xiong, Y. Ding, L. Zhu, Stiffness-based pose optimization of an industrial robot for five-axis milling, *Robot. Comput. Integr. Manuf.* **55** (2019)
- [7] S. Mejri, Identification et modélisation du comportement dynamique des robots d'usinage, Thèse, Université Blaise Pascal – Clermont II, 2016
- [8] J. Kima, E.A. Croftb, Preshaping input trajectories of industrial robots for vibration suppression, *Robot. Comput. Integr. Manuf.* **54** (2018)
- [9] B. Siciliano, O. Khatib, *Handbook of Robotics* Springer, (2008)
- [10] H.N. Rahimi, M. Nazemizadeh, Dynamic analysis and intelligent control techniques for fl exible manipulators: a review, *Adv. Robot.* **28**, 2 (2014)
- [11] M. Sayahkarajy, Z. Mohamed, A.A.M. Faudzi, Review of modelling and control of flexible-link manipulators, *J. Syst. Control Eng.* (2016)
- [12] L.M. Sweet, K.L. Strobel, Dynamic models for control system design of integrated robot and drive systems, *J. Dyn. Syst. Meas. Control* **107** (2015)
- [13] M. Makarov, M. Grossard, P. Rodriguez-Ayerbe, D. Dumur, A frequency-domain approach for flexible-joint robot modeling and identification, *IFAC Proc.* **45**, 16 (2012)
- [14] F. Ghorbel, J.Y. Hung, M.W. Spong, Adaptive control of flexible joint manipulators, in *Proceedings, 1989 International Conference on Robotics and Automation*, 1989, no. 2, pp. 1188–1193
- [15] R.V.P. and A.J.A.-K. RA. Al-Ashoor, K. Khorasani, Adaptive control of flexible joint manipulators, *IEEE J. Robot. Autom.* (1990)
- [16] S. Moberg, Modeling and Control of Flexible Manipulators, Report, Linköping University, 2010
- [17] A.S. Andreev, O.A. Peregodova, A.A. Sobolev, On Global Trajectory Tracking Control of Robot Manipulators with Flexible Joints, *IFAC PapersOnLine* **51**, 32 (2018)
- [18] P. Hamon, M. Gautier, P. Garrec, New dry friction model with load- and velocity- dependence and dynamic identification of multi-dof robots, in *International Conference on Robotics and Automation*, 2015
- [19] A.C. Bittencourt, E. Wernholt, S. Sander-Tavallaey, T. Brogårdh, An extended friction model to capture load and temperature effects in robot joints, in *IEEE/RSJ 2010 International Conference on Intelligent Robots and Systems, IROS 2010 – Conference Proceedings*, 2010, pp. 6161–6167
- [20] T. Zou, F. Ni, C. Guo, H. Liu, Parameter Identification and Controller Design for Flexible Joint of Chinese Space Manipulator, in *International Conference on Robotics and Biomimetics*, 2014, pp. 142–147
- [21] M.J. Kim, F. Beck, C. Ott, A. Albu-Schaeffer, Model-free friction observers for flexible joint robots with torque measurements, *IEEE Trans. Robot.* 1–8 (2019)
- [22] M. Östring, S. Gunnarsson, M. Norrlöf, Closed-loop identification of an industrial robot containing flexibilities, *Control Eng. Pract.* **11**, 3 (2003)
- [23] R. Hopler, M. Thummel, Symbolic computation of the inverse dynamics of elastic joint robots, in *IEEE Int. Conf. Robot. Autom. 2004. Proceedings. ICRA '04. 2004*, vol. 5, April, pp. 4314–4319, 2004
- [24] W. Khalil, E. Dombre, Bases de la modélisation et de la commande des robots robots-manipulateurs de type série, 2012, pp. 1–52

- [25] J. Le Flohic, Vers une commande basée modèle des machines complexes: application aux machines-outils et machines d'essais mécaniques, Thèse, Université Blaise Pascal – Clermont II, 2015
- [26] M. Makarov, Contribution à la modélisation et la commande robuste de robots manipulateurs à articulations flexibles. Applications à la robotique interactive, Thèse, Supélec, 2013
- [27] P. Tomei, A simple PD controller for robots with elastic joints – automatic control, *IEEE Trans.* **36**, 10 (1991)
- [28] M. Gautier, Contribution à la modélisation et à l'identification des robots, Thèse, Université de Nantes, École Nationale Supérieure de Mécanique, 1990
- [29] O.A. Vivas, Contribution à l'identification et à la commande des robots parallèles, Thèse, Université de Montpellier II, 2005
- [30] Q. Guo, W. Perruquetti, M. Gautier, On-line robot dynamic identification based on power model, modulating functions and causal Jacobi estimator, in *IEEE International Conference on Robotics and Automation*, 1997, pp. 1922–1927
- [31] R. Lozano, A. Valera, P. Albertos, S. Arimoto, T. Nakayama, PD control of robot manipulators with joint flexibility, actuators dynamics and friction, *Automatica* **35**, (1999)

Cite this article as: J. Farah, H. Chanal, N. Bouton, V. Gagnol, A model-based control law for vibration reduction of serial robots with flexible joints, *Mechanics & Industry* **22**, 38 (2021)