

Nonlinear Power Amplifier Effects on a Full Duplex Spatial Modulation System

Yanni Zhou

Univ Lyon, INSA Lyon, Inria, CITI
Villeurbanne, France
yanni.zhou@insa-lyon.fr

Guillaume Villemaud

Univ Lyon, INSA Lyon, Inria, CITI
Villeurbanne, France
guillaume.villemaud@insa-lyon.fr

Florin Hutu

Univ Lyon, INSA Lyon, Inria, CITI
Villeurbanne, France
florin-doru.hutu@insa-lyon.fr

Taneli Riihonen

Electrical Engineering, Tampere University
Tampere, Finland
taneli.riihonen@tuni.fi

Abstract—In this paper, we consider a full duplex (FD) system using spatial modulation (SM) technique for simultaneous transmission. Despite the recent studies on the combination of these two techniques, nonlinear effects of devices have been ignored. This paper demonstrates, for the first time, the nonlinear power amplifier (PA) effects on a full duplex spatial modulation (FDSM) system. A digital canceller is adopted to deal with the strong self-interference (SI) in presence of PA nonlinearities. The results are verifying that the considered canceller can suppress SI close to the thermal noise level and has high reliability to ensure the performance of the system.

Index Terms—Full duplex, spatial modulation, nonlinear self-interference cancellation, power amplifier, bit error rate.

I. INTRODUCTION

Nowadays, with the development of the advanced generation technology of mobile communication, the number of mobile terminals and devices has shown an exponential growth trend. It has brought considerable pressure to wireless communication networks. Currently, most mobile networks use half-duplex (HD) mode, which limits networks performance because it causes a waste of wireless spectrum resources. Hence, full duplex (FD) has been proposed [1] [2] to improve the spectrum efficiency. The FD technology can theoretically double the channel capacity of the communication system. However, the self-interference (SI) of FD system has always been the core issue.

To overcome the issue that the signal emitted by the node itself covers the received signal of interest, passive suppression and active cancellation have been analyzed. Passive suppression mainly refers to the spatial distance between the receiving and transmitting antennas, so that the SI signal can get an attenuation before being received. Analog cancellation introduces an analog reference signal from the transmitting chain, then sends it to the receiving antenna to balance the SI signal after adjusting the amplitude and phase delay. For digital cancellation, a digital reference signal is generated from the transmitting baseband and aims to cancel SI by recovering the residual SI signal after appropriate adjustments. Compared with analog cancellation, self-interference cancellation (SIC)

in digital domain is more flexible and can make it more efficient [3].

Meanwhile, spatial modulation (SM) as a new MIMO technique has attracted wide attention in recent years [4]. The SM system has only one transmitting antenna activated for each time slot, therefore, only one radio frequency (RF) chain is needed. It combines modulation on spatial resources with conventional amplitude and phase modulation. In this way, it exploits the index of the transmitting antennas to convey additional information bits. Therefore, SM systems can avoid inter-channel interference, inter-antenna synchronization, and high complexity of detection in the traditional MIMO system. Moreover, due to the introduction of space resources, the system spectrum efficiency is guaranteed, so it has become a low-cost, low-complexity MIMO system.

In conclusion, compared with the conventional FD-MIMO system, full duplex spatial modulation (FDSM) system shows remarkable interest [5]. The combination of FD and SM will not only maintain the spectrum efficiency but also decrease the complexity of the SIC and of the entire receiver because of the single RF chain.

To guarantee the performance of the FDSM system, a high accuracy SIC should be ensured. Since the actual hardware is not as ideal as the theoretical assumptions, various distortions and noises will inevitably be introduced. It will cause a gap between the SI signal recovered by the traditional channel estimation and the actual SI signal, which restricts the performance of digital cancellation. In the literature, [6] shows the performance of a FD radio under nonideal RF components. Nonlinear canceller with complexity reduction scheme for FD radios is described in [7] [8]. Moreover, the impact of the receiver nonidealities including IQ imbalance and phase noise on a FDSM system is discussed in [9]. However, to the authors' knowledge, nonlinear effects on the FDSM system have been scarcely investigated from the perspective of power amplifier (PA).

In this paper, we analyze especially the nonlinear effects of PA and a digital canceller is employed to suppress the SI

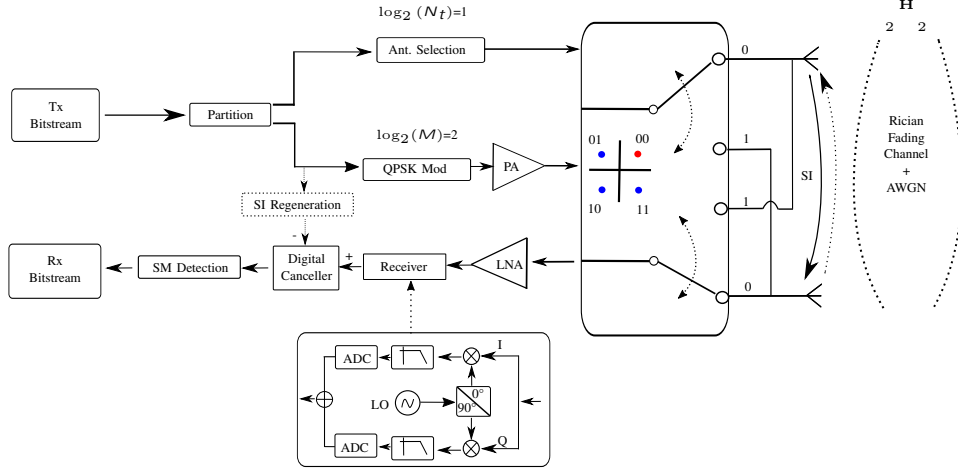


Fig. 1. 2×2 FDSM system model with a digital canceller: Node A

signal. The remainder of the paper is organized as follows: Section II presents the considered nonlinear FDSM system model, along with the considered digital canceller. The system level simulation results are discussed in Section III, after which conclusions and future directions are given in Section IV.

II. SYSTEM ARCHITECTURE AND DIGITAL CANCELLER

Due to the characteristics of FD communication system, both ends of the system have the same functions of simultaneous emitting and receiving. Consequently, in this article, we only show the structural characteristics of one end. The structure of Node A of a 2×2 FDSM system is illustrated in Fig. 1. For ease of understanding, we divide Node A into three parts for the detailed explanation.

A. Transmitting part

The input data is supposed to be a random binary sequence. Meanwhile, the input data will be saved as a file for the system performance analysis at the receiving part. The core technique of SM is the mapping mode of the binary sequences. The number of bits for antenna selection and symbol construction at each time slot is $\log_2(N_t)$ and $\log_2(M)$, respectively. N_t corresponds to the number of the antennas at each node, M represents the modulation order. The previous part is used to select one antenna for transmitting, through an antenna switch. The remainder is used to form the corresponding quadrature amplitude modulation (QAM) symbol. In our model, $N_t = 2$ and $M = 4$. More precisely, the antenna selected by the switch will transmit the QPSK symbols, and the other antenna will be used to receive the signal from the other node.

Before transmitted by the selected antenna, the modulated signal will be amplified by the PA which may impact the communication performance by its nonlinear behavior.

Nonlinear distortions produced by the transmitter's PA is one of the non-idealities of RF chain which become a significant issue in a FD transceiver when using cheaper and less

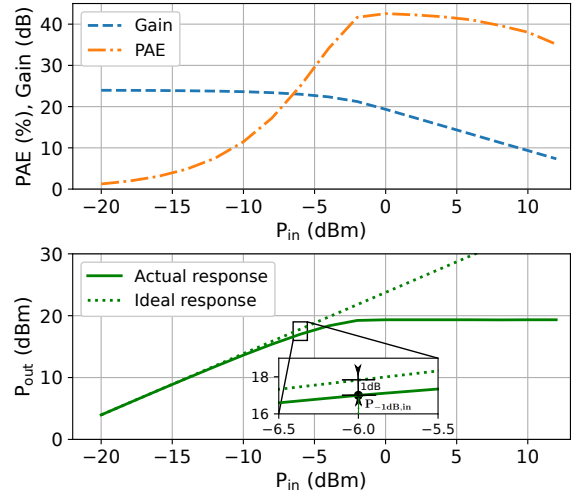


Fig. 2. CC2595 Typical Characteristics in simulation

linear power amplifier. In order to study this impact, in this paper we choose the low-cost PA of the type CC2595 from Texas Instruments [10] and apply its model in the FDSM's system level simulation. The CC2595 has a typical gain of 24 dB, its operating frequency range is between 2400 MHz and 2483.5 MHz and the typical output power is $P_{out} = 20.7$ dBm. The simulation results of the CC2595 model are presented in Fig. 2. Here Gain represents the amplifier's gain in dB; P_{out} denotes the output power and PAE represents the power-added efficiency which is a metric for rating the efficiency of a PA. As can be remarked from this figure, the -1dB compression point is obtained for input power levels of about -6 dBm and the corresponding output power level is 17 dBm, as presented in the CC2595's datasheet. In order to incorporate the PA's nonlinear effect, the performance of the canceller will be evaluated for PA's input power levels greater than -6 dBm.

B. Channel environment

In this paper, the main channel between two nodes is defined as a 2×2 sized Rician fading channel. Average white Gaussian noise (AWGN) is also taken into account. SI channel is supposed to be a single-path one delay channel where the strength of the direct path dominates the power of the SI channel. Besides, self-interference-to-noise ratio (INR) is introduced as the power ratio of the received SI signal to the receiver thermal noise, in order to evaluate the SI power. A large range ([-20 dB, 80 dB]) INR is applied to represent the different levels of SI power for the receiving end. In a practical sense, we can understand the influence of the changes with INR as that of the changes with the distance between the two nodes on the performance of the system.

C. Receiving part

The signal received at node A (x_n^a) is the combination of two parts: one from node B and the other is SI. Precisely, the received signal (s_n) from node B after passing the Rician fading channel and the SI (s_n^{si}) generated by the transmitting part from its own node (node A). The nonlinear signal distortion produced by PA has significant effects on SI signal. Here, the nonlinear signal model is supposed as a sample memoryless polynomial model. For higher accuracy, a model with memory such as parallel Hammerstein model can also be supposed as shown in [7] [11]. The signal x_n^a received by the antenna can be given as follows.

$$x_n^a = s_n + s_n^{si} + \quad (1)$$

with the received SI signal s_n^{si} given as

$$s_n^{si} = h_n (s_n^a)_{PA} \quad (2)$$

where \quad corresponds to the AWGN noise, h_n denotes the SI channel and s_n^a is the input signal of PA at node A. $(s_n^a)_{PA}$ represents the baseband output signal of PA, given as

$$(s_n^a)_{PA} = \sum_{k=0}^K p_k s_n^a j s_n^a j^k \quad (3)$$

where p_k is the complex-valued coefficient of the PA polynomial model and $K+1$ is the maximum order of the polynomial. In general, only odd-orders are considered because only odd-order distortion will appear around the received signal. Hence, the odd-order polynomial model can be presented as

$$\begin{aligned} (s_n^a)_{PA} &= \sum_{k=0}^K p_k s_n^a j s_n^a j^k \\ &= \sum_{k=0}^K p_k i_{2k+1}(s_n^a) \end{aligned} \quad (4)$$

1) *Receiver's radio front-end*: The combined signal is transposed in baseband by an analog radio front-end. In practice, IQ imbalance which is the mismatch between the I path and Q path occurs. Moreover, the phase noise of the local oscillator is also a non-negligible factor that degrades the

system performance. A previous work [9] has discussed the effects of these nonidealities on a FDSM system. IQ imbalance and phase noise are assumed ideal in this paper.

2) *Digital canceller*: As mentioned before, we assume the rest of the radio front-end is ideal to ensure the nonlinearities of the system as the single variable. Since the nonlinear distortion is mainly caused by the PA in the transmitting part [11], we do not have to take other minor nonlinear effects into account. A nonlinearity digital canceller is employed after the analog-to-digital conversion at the receiving part. The idea for this canceller is to regenerate an estimated SI signal. This estimator is based on the Least Square (LS) algorithm, the signal \hat{x}_n after the cancellation is given as

$$\hat{x}_n = x_n^a - \hat{s}_n^{si} \quad (5)$$

where x_n^a is the digital signal after passing the radio front-end and \hat{s}_n^{si} is the estimated SI based on LS.

$$\begin{aligned} \hat{s}_n^{si} &= \sum_{k=0}^K h_n p_k i_{2k+1}(s_n^a) \\ &= \sum_{k=0}^K \hat{w}_k i_{2k+1}(s_n^a) \end{aligned} \quad (6)$$

The estimator aims to calculate the weights \hat{w}_k which minimize the power of signal after SIC \hat{x}_n in the digital domain, which guarantees the recovery of the signal of interest. \hat{w}_k is assumed as the complex-valued coefficient of both the SI channel and the PA polynomial model and is given as

$$\hat{\mathbf{w}}_k \stackrel{\text{def}}{=} [\hat{w}_1 \quad \hat{w}_3 \quad \hat{w}_{2K+1}]^T \quad (7)$$

The received signal matrix \mathbf{x}^a with N samples of estimation is presented as

$$\mathbf{x}^a \stackrel{\text{def}}{=} [x_n^a \quad x_{n+1}^a \quad x_{n+N-1}^a]^T \quad (8)$$

The input matrix \mathbf{i} is given as

$$\begin{aligned} \mathbf{i} &\stackrel{\text{def}}{=} [\mathbf{i}_1 \quad \mathbf{i}_3 \quad \mathbf{i}_{2K+1}] \\ \mathbf{i}_{2k+1} &= \begin{bmatrix} i_{2k+1}(s_n^a) \\ i_{2k+1}(s_{n+1}^a) \\ \vdots \\ i_{2k+1}(s_{n+N-1}^a) \end{bmatrix} = \begin{bmatrix} s_n^a j s_n^a j^{2k} \\ s_{n+1}^a j s_{n+1}^a j^{2k} \\ \vdots \\ s_{n+N-1}^a j s_{n+N-1}^a j^{2k} \end{bmatrix} \end{aligned} \quad (9)$$

Then, we can obtain:

$$\begin{aligned} \hat{\mathbf{w}}_k^{\text{LS}} &= \arg \min_{\mathbf{w}_k} \left\| \mathbf{x}^a - \hat{\mathbf{s}}^{\text{si}} \right\|^2 \\ &= \arg \min_{\mathbf{w}_k} \left\| \mathbf{x}^a - \hat{\mathbf{w}}_k \mathbf{i} \right\|^2 \end{aligned} \quad (10)$$

$$\hat{\mathbf{w}}_k^{\text{LS}} = (\mathbf{i}^H \mathbf{i})^{-1} \mathbf{i}^H \mathbf{x}^a \quad (11)$$

where the operator $[\]^H$ represents the Hermitian transpose.

After the digital cancellation, the signal $\hat{x}(n)$ is going to be detected based on the channel state information (CSI). The transmitting antenna index and modulated QPSK symbols are then demodulated. The bit sequence information contained in them is concatenated to recover the input bitstream.

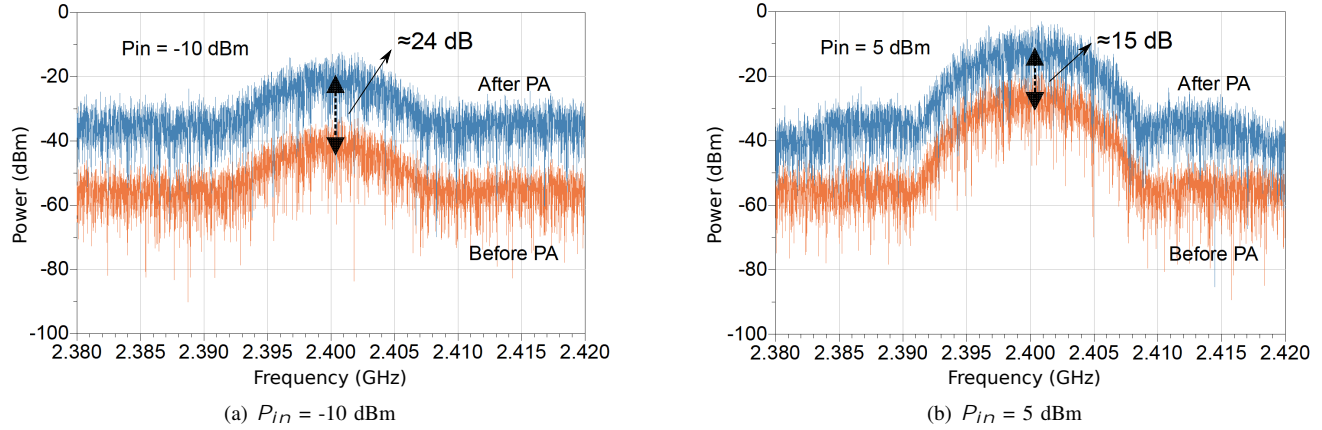


Fig. 3. Signal power before and after PA with $P_{in} = -10$ dBm and 5 dBm

III. SYSTEM PERFORMANCE RESULTS

In this section, a 2×2 FDSM system as presented in Fig. 1 is simulated based on an ADS-Matlab co-simulation framework. The system performance is evaluated in two steps: one is the BER performance with different INRs, and then we analyze its performance within the linear/nonlinear zone of the PA in terms of E_b/N_0 (energy per bit to noise power spectral density ratio). The main simulation parameters and the PA characteristics are shown in Table I. As seen in Fig. 2, the

TABLE I
SYSTEM PARAMETERS

Parameter	Value
Carrier frequency	2.4 GHz
Bandwidth	20 MHz
Symbol rate	10 Mbit/s
Center output time step	0.1 μ s
Modulation type	QPSK
Crest factor	7.6 dB
PA gain	24 dB
P_{in}	-10 / 5 dBm
P_{out}	14 / 20 dBm
Impulse model	Root raised cosine
Filter type	Nyquist filter
Roll-off factor	0.5

simulated PA works at linear zone or nonlinear zone depending on the input signal power. Therefore, we apply -10 dBm and 5 dBm as the input signal power in the linear zone and the nonlinear zone, respectively. The spectrum of the QPSK signals before and after PA in these two cases is shown in Fig. 3. We remark that the PA gain is about 24 dB with $P_{in} = -10$ dBm in the linear zone while PA gain is about 15 dB with $P_{in} = 5$ dBm in the nonlinear zone.

Firstly, three main scenarios are simulated to study the system BER performance with the variation of INR. One is the ideal case with total SIC and without nonlinear effects (perfect knowledge of the CSI). Another is the linear case and SI is estimated. The last is that the proposed digital canceller and the simulated PA are applied. In addition, SIC without nonlinearity cancellation and no SIC as two undesirable situations

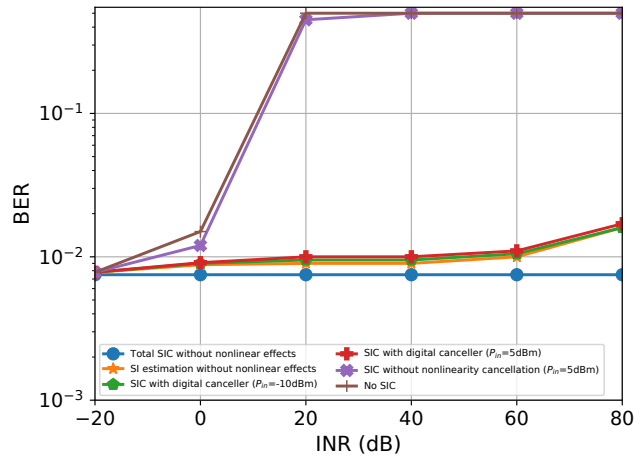


Fig. 4. BER performance under $E_b/N_0 = 15$ dB (number of samples for SI estimation $N = 10000$)

are simulated to compare the performance. The scenario of total SIC can be assumed to have the same performance of a single SM system. The degradation of BER in other scenarios is due to the incomplete elimination of SI.

The BER under $E_b/N_0 = 15$ dB with different INRs is shown in Fig. 4. One can remark that with the proposed canceller, no matter which zone the PA is working in, the BER can be maintained at a level equivalent to the ideal one. Moreover, with the increase of INR, BER can be held at the original level and it will increase slightly when greater than 40 dB. Besides, without taking the nonlinearities into account will cause a noticeable degradation, especially with a high INR. The number of samples (N) for estimation can also be a main factor impacting BER. The BER performance in the linear zone ($P_{in} = -10$ dBm) and nonlinear zone ($P_{in} = 5$ dBm) with the variation of E_b/N_0 is given in Fig. 5. We can conclude that increasing N will decline the BER to a certain extent but makes the estimator more complex. Even in the nonlinear

