



HAL
open science

Stability and traction optimization of a wheel-legged robot

Christophe Grand, Faiz Ben Amar, Frédéric Plumet, Philippe Bidaud

► **To cite this version:**

Christophe Grand, Faiz Ben Amar, Frédéric Plumet, Philippe Bidaud. Stability and traction optimization of a wheel-legged robot. *The International Journal of Robotics Research*, 2004, 23 (10-1), pp.1041-1058. hal-03178094

HAL Id: hal-03178094

<https://hal.science/hal-03178094>

Submitted on 23 Mar 2021

HAL is a multi-disciplinary open access archive for the deposit and dissemination of scientific research documents, whether they are published or not. The documents may come from teaching and research institutions in France or abroad, or from public or private research centers.

L'archive ouverte pluridisciplinaire **HAL**, est destinée au dépôt et à la diffusion de documents scientifiques de niveau recherche, publiés ou non, émanant des établissements d'enseignement et de recherche français ou étrangers, des laboratoires publics ou privés.

Stability and traction optimization of reconfigurable vehicles. Application to an hybrid wheel-legged robot.

Ch. Grand, F. BenAmar, F. Plumet, Ph. Bidaud

Laboratoire de Robotique de Paris (LRP)

CNRS FRE2507 - Université de Pierre et Marie Curie, Paris 6

18, route du Panorama, BP61, 92265 Fontenay-aux-Roses, France

{grand,amar,plumet,bidaud}@robot.jussieu.fr

Abstract

Actively articulated locomotion systems such as hybrid wheel-legged vehicles are a possible way to enhance the locomotion performance of autonomous mobile robot. In this paper, we address the control of the wheel-legged robot Hylos evolving on irregular sloping terrain. The redundancy involved in such system is used to optimize both the balance of traction forces and the tipover stability. The general formulation of this optimization problem is presented and a suboptimal but computationally efficient solution is proposed. Then, an algorithm that control the robot posture, based on the velocity model, is described. Finally, this algorithm is validated through simulations and experiments that show the capabilities of such redundantly actuated vehicle to enhance its own integrity and autonomy on critical environments.

1 Introduction

Autonomous exploration missions require mobile robots that can carry out high performance locomotion tasks while insuring the system integrity. For applications such as planetary or volcanic exploration or various missions in hazardous areas or construction sites, the locomotion performance in terms of power consumption, autonomy and

reliability is of primary importance. Vehicle motion on uneven surfaces involves complex wheel-ground interactions that are related to the geometrical and physical soil properties: roughness, rocks distribution, soil compaction, friction characteristics, etc... Therefore, enhancing the locomotion performance in such environment requires the design of innovative locomotion systems and the research of original control schemes.

Available locomotion systems can roughly be divided into wheeled and legged systems. Wheeled robots evolving on natural rough terrain usually use passive internal mobilities. The main research activity in this domain concerns the design of innovative steering (Nomad [20]) and suspension systems. The Rocky rovers [25] and the Shrimp [5], developed respectively at the JPL and EPFL, illustrate the use of passive suspension systems offering high terrain adaptability. They are wheeled systems with passive mobilities allowing the vehicle to address more challenging terrain including ground discontinuities higher than the wheel radius. The main advantage of wheeled locomotion systems is its performance in terms of power consumption, velocity and available payload.

Legged robot is a possible way to increase the field of accessible terrains for autonomous vehicle [16, 22]. The main activity in this research field concerns the control of complex kinematic structure by considering gait schemes and stability margin. The main relevance of walking machines is their abilities to adapt their posture on uneven terrain and to cross over high terrain discontinuities. And another approach to rough terrain mobility is proposed in [21] with the compliant-legged hexapod Rhex.

To enhance motion capabilities of wheeled robots on irregular and unknown terrains, Wheeled and Actively Articulated Vehicles (WAAV) have been considered. These vehicles are referred as high mobility robots since they possess internal active mobility degrees, and are illustrated by the WAAV presented in [23] and the Marsokhod[1, 13] robot. They could use the wheels for the propulsion and the internal mobilities to adapt their configuration. The Hybrid Wheel-Legged Vehicles (HWLV) is a subclass of WAAV that consist of any combination of wheeled and legged mechanisms. The Roller-walker[9], Workpartner[8], Azimut[18] and Hylos[3] are typical examples of such robots. As the leg's and wheel's degrees of freedom are independently actuated, these systems have the ability to control their posture. In the case of HWLV, the posture is usually defined as the position and orientation of the main body with respect to the ground and the two sideway wheelbases (the distance between each wheel pair in the sagittal plane). As a counterpart, the control of these redundantly actuated systems exhibiting complex interactions with the environment is much more difficult than for conventional wheeled mobile robots.

The control is usually based on the modeling and analysis of vehicle motion. Kineto-static analysis of such WAAV has already been addressed by previous author [23]. Solutions for this specific kinematics are presented, and studied in simulation. In [24],

a mathematical analysis leads to a model based control that considers the problem of contact forces distribution in the case of the GOFOR mini-rover (four internal active mobility degrees). This work however considers only planar vehicle motion and was not experimentally validated. More recently, research on the control of articulated suspension vehicle was also considered [12]. The authors proposed a method for stability-based articulated suspension control, which is experimentally demonstrated on the SRR robot of the JPL. They address the tipover stability in the case of SRR robot (two internal active mobility degrees). By considering also the motion of a 3 DOF arm manipulator mounted on the platform, they improve the tipover stability.

In this paper, we describe a solution that optimizes both the traction force balance and the tipover margin for the Hylos robot, a high mobility redundantly actuated vehicle developed in the lab (see Figure 1). It is a lightweight mini-robot with 16 actively actuated degrees of freedom (four wheel-legs, each one combining a two degrees of freedom suspension mechanism with a steering and driven wheel). The actuated degrees of

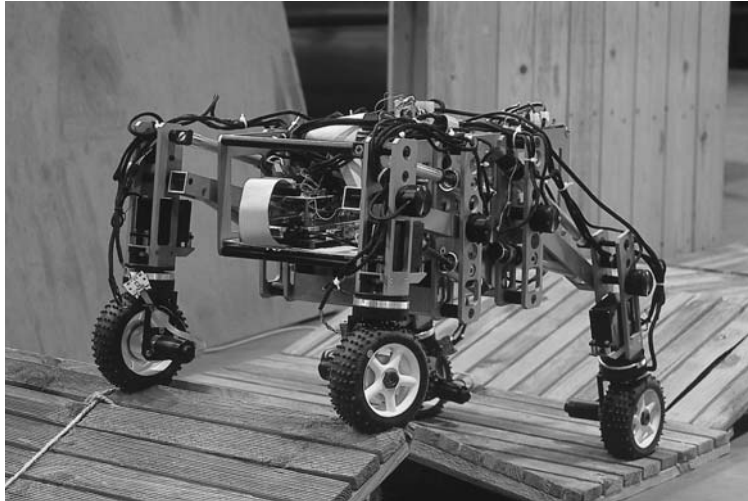


Figure 1: Hylos experimental prototype

freedom of this robot are split in two categories: the first one concerns the locomotion itself (traction and steering) and the second one the posture (orientation of the main body and sideways wheelbases). Thus, trajectory and posture control will be treated together as they are coupled but the specification of the desired trajectory and optimal posture \mathbf{p}^* will be considered separately. The posture control algorithm calculate the joint velocities $\dot{\mathbf{q}}^*$ to reach the desired posture \mathbf{p}^* and follow the desired trajectory (see Figure 2). The number of posture parameters is related to the general mobility index of the vehicle which depends on the number of internal active mobilities and, thus, on the particular design of the vehicle.

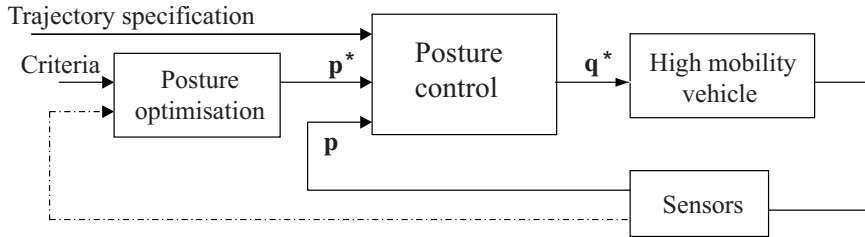


Figure 2: General schematic of the controller

In the next section, we first develop the general kinetostatic model of wheel-legged vehicle. In Section 3, we define suitable locomotion criteria and address the posture optimization problem, assuming a quasi-static motion of the vehicle. However, due to the underlying difficulty of the on-line optimal posture computation, a suboptimal but computationally efficient posture for the particular design of the Hylos robot is presented in Section 4 as well as a velocity based posture control algorithm. Finally, the performance of the optimization process is analyzed through simulations of a wheel-legged vehicle on sloping terrain with various slope angles. The posture control algorithm is also evaluated through simulations and experiments with the Hylos robot evolving on an irregular and sloping ground.

2 General formulation of kinetostatic model of wheel-legged system

This section deals with the development of the kinetostatic model for a general wheeled and articulated system. These models are used in Section 3 for load distribution optimization and in Section 4 for the vehicle posture control on rough terrain.

The considered system consists of a main body (platform S) connected to serial articulated chains, each one being ended by a cylindrical wheel (Figure 3). Lets define $\mathcal{R}=(G,\mathbf{x},\mathbf{y},\mathbf{z})$ a frame attached to the platform with G the platform center of gravity (c.o.g). The orientation of the platform frame is given by three angles with respect to the fixed frame \mathcal{R}_0 , which are the conventional yaw(θ)-pitch(ψ)-roll(φ) angles [4].

We assume that all wheels are in contact with the ground. Lets call P_i the i^{th} contact point and \mathbf{n}_i the normal vector to the tangent contact plane. The associated contact frame $\mathcal{R}_i = (P_i, \mathbf{t}_i, \mathbf{l}_i, \mathbf{n}_i)$ is defined such as $\mathbf{t}_i = \frac{\boldsymbol{\sigma}_i \times \mathbf{n}_i}{\|\boldsymbol{\sigma}_i \times \mathbf{n}_i\|}$ ($\boldsymbol{\sigma}_i$ is the i^{th} wheel axis unit vector) and $\mathbf{l}_i = \mathbf{n}_i \times \mathbf{t}_i$.

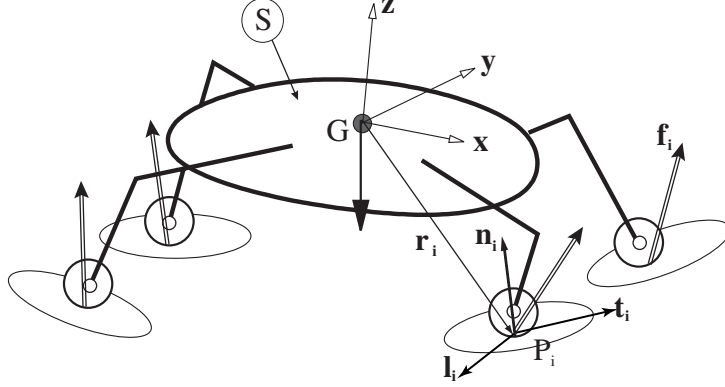


Figure 3: General model of a wheel-legged vehicle

2.1 Velocity model

The velocity of each contact point P_i with respect to the ground can be written as:

$$\mathbf{v}_{(P_i/\mathcal{R}_0)} = \mathbf{v} + \boldsymbol{\omega} \times \mathbf{r}_i + \mathbf{v}_{(P_i/\mathcal{R})} \quad (1)$$

where $(\mathbf{v}, \boldsymbol{\omega})^t = \mathbf{v}_p$ is the components vector expressing the twist of the platform and \mathbf{r}_i the vector connecting the platform frame center G to contact point P_i .

The pure rolling condition at contact point P_i can be written as:

$$\mathbf{v}_{(P_i/\mathcal{R}_0)} = \mathbf{0} \quad (2)$$

The projection of this equation on contact frame vectors $(\mathbf{t}_i, \mathbf{l}_i, \mathbf{n}_i)$ provides different physical meanings:

- $\mathbf{t}_i^t \mathbf{v}_{(P_i/\mathcal{R}_0)} = 0$: expresses the non-slippage condition in the longitudinal direction,
- $\mathbf{l}_i^t \mathbf{v}_{(P_i/\mathcal{R}_0)} = 0$: expresses the non-slippage condition in the lateral direction.
- $\mathbf{n}_i^t \mathbf{v}_{(P_i/\mathcal{R}_0)} = 0$: expresses the contact continuity condition,

With the pure rolling condition at contact point P_i , Equation (1) becomes:

$$-(\mathbf{v} + \boldsymbol{\omega} \times \mathbf{r}_i) = \mathbf{v}_{(P_i/\mathcal{R})} \quad (3)$$

and its projection, in a matrix form, along the contact frame vectors yields to:

$$- \begin{pmatrix} \mathbf{R}_i & -\mathbf{R}_i \mathbf{S}(\mathbf{r}_i) \end{pmatrix} \mathbf{v}_p = \mathbf{J}_i \dot{\mathbf{q}}_i \quad (4)$$

where \mathbf{R}_i is the rotation matrix of contact frame with respect to platform frame, \mathbf{J}_i is the jacobian matrix of the i^{th} wheel-leg chain with respect to the platform and expressed in the contact frame, $\dot{\mathbf{q}}_i$ is the joint velocity vector of the wheel-leg chains, and $\mathbf{S}(\mathbf{u})$ is the skew-symmetric matrix of the cross product operator :

$$\mathbf{S}(\mathbf{u}) = \begin{pmatrix} 0 & u_3 & -u_2 \\ -u_3 & 0 & u_1 \\ u_2 & -u_1 & 0 \end{pmatrix}$$

Equation (4) can be written for each leg as:

$$\mathbf{L}_i \mathbf{v}_p = \mathbf{J}_i \dot{\mathbf{q}}_i \quad (5)$$

where \mathbf{L}_i is called the locomotion matrix of the i^{th} wheel-leg chain. Finally, for all wheel-legs, we obtain:

$$\begin{pmatrix} \mathbf{L}_1 \\ \mathbf{L}_2 \\ \dots \\ \mathbf{L}_n \end{pmatrix} \mathbf{v}_p = \begin{pmatrix} \mathbf{J}_1 & 0 & 0 & 0 \\ 0 & \mathbf{J}_2 & 0 & 0 \\ 0 & 0 & \dots & 0 \\ 0 & 0 & 0 & \mathbf{J}_n \end{pmatrix} \begin{pmatrix} \dot{\mathbf{q}}_1 \\ \dot{\mathbf{q}}_2 \\ \dots \\ \dot{\mathbf{q}}_n \end{pmatrix} \quad (6)$$

or

$$\mathbf{L} \mathbf{v}_p = \mathbf{J} \dot{\mathbf{q}} \quad (7)$$

2.2 Static model

We denote $\mathbf{f}_i = (f_{t_i}, f_{l_i}, f_{n_i})^t$ the contact force at point P_i expressed in the contact frame \mathcal{R}_i . The components of this contact force are called respectively the traction (or braking) force, lateral force and normal force (or load). Equations of static equilibrium are obtained using the principle of virtual work. This gives, on the one hand, the equilibrium equation of the whole system:

$$\mathbf{L}^t \mathbf{f} = \mathbf{w}_t \quad (8)$$

and, on the other hand, the contact force to joint's torques $\boldsymbol{\tau}$ mapping:

$$\mathbf{J}^t \mathbf{f} = \boldsymbol{\tau} + \mathbf{w}_s \quad (9)$$

where $\mathbf{f} = (\mathbf{f}_1^t, \mathbf{f}_2^t, \dots, \mathbf{f}_n^t)^t$ is the collection of all contact forces.

In these equations, \mathbf{w}_t is the components vector of the total wrench (expressed in the platform frame) applied to the system and \mathbf{w}_s is the generalized force vector mainly due to the weight of the different sub-parts of the system.

3 Posture optimization of wheel-legged vehicle

The locomotion performance of wheel-legged vehicles is directly related to the contact forces at each wheel-ground contact point. These contact forces depend on the vehicle posture. Thus, the posture control in articulated ground vehicle is a possible way to enhance the locomotion performance. Controlling the posture can then be used to control the center of gravity position (i.e. the distribution of contact forces) and the tipover stability margin.

The estimation of contact forces is based on a quasi-static analysis of the vehicle configuration. Consider the high mobility locomotion system shown in Figure 3: it is a generic model that represents both legged, wheeled and hybrid vehicle. The generic kinematic model developed in Section 2 is used to find the optimal posture for this wheel-legged vehicle. The resolution of forces distribution in closed-chain mechanisms is an underspecified problem [14]. With the assumption that the wheel-ground contact angles can be estimated [11, 2], the quasi-static equilibrium equation (Eq. (8)) gives the force balance for a given configuration, using the pseudo-inverse of \mathbf{L}^t .

3.1 Locomotion performance criteria

In order to find the optimal posture vector \mathbf{p}^* that optimizes the vehicle locomotion performance, it is necessary to select suitable evaluation criteria. In planetary exploration mission, fundamental properties that should be enhanced are the vehicle reliability and its capacity to evolve in difficult environment. Thus, in this paper, the mechanical stability margin (the system tipover limit) and the traction efficiency are considered to be the most adapted performance criteria.

Stability criterion: The control of robotic system under stability margin condition was mainly addressed in the field of legged locomotion. Research on stability control of walking machine was first considered in 1968 by McGhee and Frank [15]. A first static stability criterion was developed to evaluate the stability of an ideal machine walking at constant speed on flat even terrain. It simply considers that the vehicle is stable if the projection of the center of gravity lies inside the support polygon. Different mechanical stability margins were defined during past research on walking machines. They can be roughly split in three main categories [10]:

- the “Stability margin”[15] that evaluates the distance between the projection of the center of gravity and the support polygon,
- the “Gradient stability margin”[19] that evaluates the inclination angle of the machine at which it starts tumbling,

- the “Energy stability margin” [17, 6] that evaluates the difference between its maximum potential energy and its initial one.

The control method presented in this paper considers the vehicle motion on irregular terrain without discontinuities. Thus, the tipover stability margin is mainly constrained by the terrain geometry. So, a “Gradient stability margin” as the one proposed by Papadopoulos [19] is well adapted to our operational condition, as it integrates both the distance of the projected c.o.g. to the support polygon and its vertical position relatively to the average plane defined by the contact points P_i . Furthermore, this method is computationally efficient. It can be summarized as follow: the line joining two consecutive terrain-contact points P_i define a tip-over axis. The unit vector \mathbf{h}_i of the axis joining the vehicle c.o.g. G to the center of each tipover axis is computed. Then, angle θ_i between each \mathbf{h}_i and the total external force vector applied to the vehicle gives the stability angle over the corresponding tipover axis. The overall vehicle stability margin is defined as the minimum of all stability angles:

$$m_s = \min\{\theta_i, i = 1..n\} \quad (10)$$

When $m_s < 0$, a tipover instability occurs.

Traction criterion: Consider the contact force $\mathbf{f}_i = (f_{t_i}, f_{l_i}, f_{n_i})^t$ as defined in Section 2 and expressed in the local contact frame \mathcal{R}_i . Let denotes ρ_i the ratio between tangential and normal forces at each wheel-ground contact:

$$\rho_i = \frac{\sqrt{f_{l_i}^2 + f_{t_i}^2}}{f_{n_i}} \quad (11)$$

Traction efficiency is related to the slip that occur at each wheel-ground contact. Reducing the slippage phenomena is equivalent to minimize the maximum of each ratio ρ_i . The limit of controllability is reached when $\rho_i \geq f_s$, where f_s is the wheel-terrain friction coefficient.

3.2 Formulation of the optimization problem

For a given set of posture parameters \mathbf{p} (which depends on the particular design of the vehicle), the aim of the optimization process is to find the optimal posture vector \mathbf{p}^* which minimizes an objective function Φ .

The objective function $\Phi(\mathbf{p})$ can be expressed as a function of the locomotion performance criteria:

$$\Phi(\mathbf{p}) = \sum_{i=1}^n \left(\frac{K_s}{\theta_i^2} + K_\rho \rho_i^2 \right) \quad (12)$$

where ρ_i is a function of \mathbf{f}_i and θ_i a function of \mathbf{r}_i (vector connecting the c.o.g to each contact point), and K_s, K_ρ are constant positive weighting factors. Minimizing this function leads to maximize all the θ_i (i.e. the margin stability) and minimize all the ρ_i (i.e. the total vehicle slipping).

The vectors \mathbf{r}_i are computed as a function of \mathbf{p} and the static equilibrium equation (Eq. (8)) is solved using the pseudo-inverse matrix to determine \mathbf{f} :

$$\mathbf{f} = (\mathbf{L}^t)^+ \mathbf{w}_t \quad (13)$$

A standard conjugate gradient method could then be used to search for the optimal posture.

However, in order to evaluate the objective function, we need information about the local terrain map to define the contact points P_i and the associated normal vectors \mathbf{n}_i . As the terrain map is generally unknown, P_i and \mathbf{n}_i have to be evaluated on line. Thus, the main drawback of this method lies on its practical issues: measurement of the contact normals and computational cost of the on-line optimization process. Thus, for the practical implementation of the posture control algorithm on the Hylos robot, a suboptimal solution is proposed in the next section.

4 Suboptimal posture definition and control of Hylos

In this section, we describe the method used for the posture control of Hylos robot. We use a proportional feedback control based on the inverse velocity model. We first define, through a kinematic analysis, the parameters of the posture vector \mathbf{p} and then we give the general inverse model used for both path tracking and posture control. Finally, we present the posture control algorithm applied to the Hylos robot as well as the definition of a suboptimal posture for motion on slopes.

4.1 Hylos posture parameters definition

The number of posture parameters is related to the mobility of the vehicle which depends on the particular design of the Hylos robot. The mobility m is computed using the Kutzbach form of Gruebler's equation:

$$m = \sum_{i=1}^j f_i - 6(j - b + 1) \quad (14)$$

where b is the number of bodies, j is the number of joints and f_i is the number of freedom for each joint.

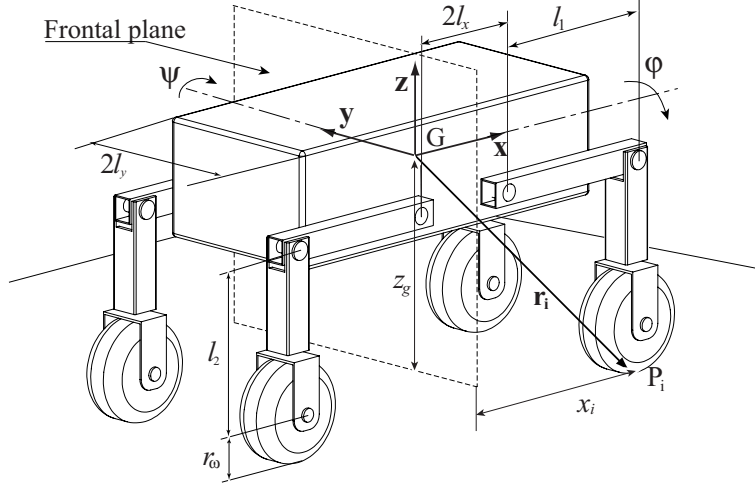


Figure 4: Hylos kinematic model

Hylos robot, presented in Figure 4, has a mobility $m = 10$ with 16 actuated joints: $b = 18$ (4 bodies for each leg, the platform and the ground), $j = 20$ (4 joints on each leg and 4 wheel-ground contacts) and $\sum f_i = 28$ (4 rotational joints for each leg and 3 dof joints at each wheel-ground contact with ideal rolling constraint).

In the operational space, these mobilities are the 6 platform parameters \mathbf{v}_p and the 4 wheelbase velocities \dot{x}_i of each contact. These parameters can be split up in one part (v_x, v_y, ω_z) dealing with the path tracking and the other one $(\omega_x, \omega_y, v_z, \dot{x}_1, \dot{x}_2, \dot{x}_3, \dot{x}_4)$ with the posture control. Then, the corresponding geometrical posture parameters are:

$$\mathbf{p} = (\varphi, \psi, z_g, x_1, x_2, x_3, x_4)^t \quad (15)$$

where :

- φ is the roll angle,
- ψ is the pitch angle,
- z_g is the height of platform center of gravity relative to the ground and is defined as the average of contact heights z_i : $z_g = \frac{\sum_i z_i}{4}$
- x_i is the wheelbase of each wheel.

4.2 Hylos inverse velocity model

Let us consider the wheel-leg chain kinematics given in Figure 5: α_i , β_i are the leg's joint angles, γ_i the steering angle and ω_i the wheel rate. Equation (3) expressed for the Hylos robot becomes:

$$-(\mathbf{v} + \boldsymbol{\omega} \times \mathbf{r}_i) = \dot{\alpha}_i \mathbf{y} \times \mathbf{a}_i + \dot{\beta}_i \mathbf{y} \times \mathbf{b}_i + \dot{\gamma}_i \boldsymbol{\mu}_i \times \mathbf{c}_i + \omega_i \boldsymbol{\sigma}_i \times \mathbf{d}_i \quad (16)$$

where $\boldsymbol{\mu}_i, \boldsymbol{\sigma}_i$ are the unit vectors of the steering and wheel axis, and $\mathbf{a}_i, \mathbf{b}_i, \mathbf{c}_i, \mathbf{d}_i$ the vectors connecting the joint axis to the contact point.

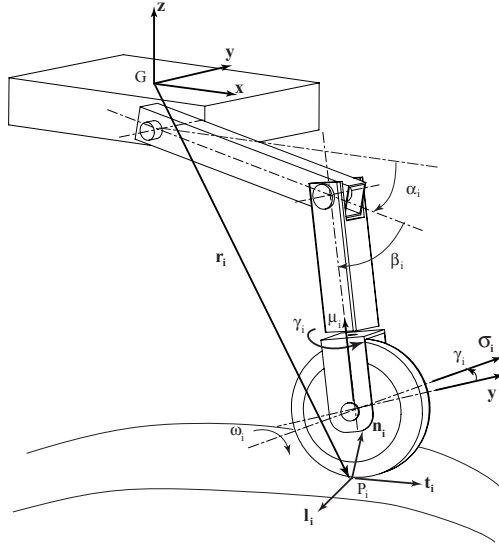


Figure 5: Parameters of a wheel-leg

Due to the steering joint kinematics, the steering axis is almost perpendicular to the contact surface. Then the cross product $\boldsymbol{\mu}_i \times \mathbf{c}_i = \boldsymbol{\mu}_i \times -r_w \mathbf{n}_i$ is almost null which means that the steering rate $\dot{\gamma}_i$ has no noticeable effect on the instantaneous motion of the platform. The normal vector is assumed to be in the wheel plane, then $\boldsymbol{\sigma}_i = \mathbf{l}_i$ and $\omega_i \boldsymbol{\sigma}_i \times \mathbf{d}_i = \omega_i \mathbf{l}_i \times (-r_w \mathbf{n}_i) = -r_w \omega_i \mathbf{t}_i$. Assuming these conditions, Equation (3) becomes:

$$-(\mathbf{v} + \boldsymbol{\omega} \times \mathbf{r}_i) = \dot{\alpha}_i \mathbf{y} \times \mathbf{a}_i + \dot{\beta}_i \mathbf{y} \times \mathbf{b}_i - r_w \omega_i \mathbf{t}_i \quad (17)$$

As in Section 2, this equation, projected in the i^{th} contact frame, gives the following matrix form:

$$\mathbf{L}_i \mathbf{v}_p = \mathbf{J}_i \dot{\mathbf{q}}_i \quad (18)$$

where $\mathbf{J}_i = (\mathbf{y} \times \mathbf{a}_i \quad \mathbf{y} \times \mathbf{b}_i \quad -r_w \mathbf{t}_i)$ is the 3×3 jacobian matrix of each leg and $\dot{\mathbf{q}}_i = (\dot{\alpha}_i, \dot{\beta}_i, \omega_i)^t$.

This equation expresses the contact condition and non-slippage condition along the two tangential directions (see Section 2). The second row scalar equation in Equation (18) expresses the inherent non-holonomic constraint of wheeled system:

$$\boldsymbol{\sigma}_i^t (\mathbf{v} + \boldsymbol{\omega} \times \mathbf{r}_i + \dot{\alpha}_i \mathbf{y} \times \mathbf{a}_i + \dot{\beta}_i \mathbf{y} \times \mathbf{b}_i) = 0 \quad (19)$$

This constraint can be satisfied if we can find the steering angle γ_i compatible with the system motion. By computing the steering angle γ_i compatible with the system motion, we reduce the number of velocity parameters to 12. Equation (18), expressed for each leg, gives only 8 scalar equations. As mentioned in the previous section, the wheelbase parameter change \dot{x}_i is introduced in order to complete the operational parameter vector. Then, the model of the i^{th} wheel-legged motion can be written as:

$$\begin{pmatrix} \mathbf{B}\mathbf{L}_i & \mathbf{0} \\ \mathbf{0} & 1 \end{pmatrix} \begin{pmatrix} \mathbf{v}_p \\ \dot{x}_i \end{pmatrix} = \begin{pmatrix} \mathbf{B}\mathbf{J}_i \\ \mathbf{j}_i \end{pmatrix} \dot{\mathbf{q}}_i \quad (20)$$

where $\mathbf{j}_i = (-l_1 \cos \alpha_i - l_2 \cos(\alpha_i + \beta_i), -l_2 \cos(\alpha_i + \beta_i), 0)$ is a reduced jacobian matrix of the leg expressed in the platform frame (see details in the Appendix) and

$$\mathbf{B} = \begin{pmatrix} 1 & 0 & 0 \\ 0 & 0 & 1 \end{pmatrix}$$

is the reduction matrix used to eliminate the steering angle γ_i .

We then obtain:

$$\mathbf{L}_i^* \begin{pmatrix} \mathbf{v}_p \\ \dot{x}_i \end{pmatrix} = \mathbf{J}_i^* \dot{\mathbf{q}}_i \quad (21)$$

\mathbf{J}_i^* is a 3x3 square matrix and can be inverted to give finally the wheel-leg motion by:

$$\dot{\mathbf{q}}_i = (\mathbf{J}_i^*)^{-1} \mathbf{L}_i^* \begin{pmatrix} \mathbf{v}_p \\ \dot{x}_i \end{pmatrix} \quad (22)$$

The projection of the non-holonomic constraint of Equation (19) in the vehicle frame \mathcal{R} , gives the steering angle compatible with the vehicle motion (see details of calculation in the Appendix):

$$\gamma_i = \arctan \left(\frac{v'_{i_y}}{v'_{i_x} S_{\alpha_i, \beta_i} - v'_{i_z} C_{\alpha_i, \beta_i}} \right) \quad (23)$$

where $\mathbf{v}'_i = (v'_{i_x}, v'_{i_y}, v'_{i_z})$ corresponds to: $(\mathbf{v} + \boldsymbol{\omega} \times \mathbf{r}_i + \dot{\alpha}_i \mathbf{y} \times \mathbf{a}_i + \dot{\beta}_i \mathbf{y} \times \mathbf{b}_i)$.

4.3 Posture control algorithm

For a given optimal posture \mathbf{p}^* and a desired trajectory, the goal of the posture control is to compute the internal joint velocities $\dot{\mathbf{q}}_i$ applied to each motor to reach the optimal posture during the motion. Let us introduce $\dot{\mathbf{p}} = (\dot{\varphi}, \dot{\psi}, \dot{z}_g, \dot{x}_1, \dot{x}_2, \dot{x}_3, \dot{x}_4)^t$ the time derivative of posture parameters. The posture control is achieved through a proportional feedback:

$$\dot{\mathbf{p}} = \mathbf{K}_p \Delta \mathbf{p} \quad (24)$$

where $\Delta \mathbf{p} = \mathbf{p}^* - \mathbf{p}$ is the posture error and \mathbf{K}_p is a 7×7 diagonal positive matrix gain. The three other velocity parameters $\mathbf{v}_t = (v_x, v_y, \dot{\theta})^t$ are used in the trajectory tracking control loop, which is not detailed in this paper.

The term \dot{z}_g is a function of \mathbf{v}_p (the calculation details of the equation are given in the Appendix):

$$\dot{z}_g = -\mathbf{v}^t \mathbf{z} + \frac{1}{4} \sum_i \mathbf{r}_i^t (\mathbf{S}(\boldsymbol{\omega}) \mathbf{z}) \quad (25)$$

Since we have $\sum_i x_i = 0$ and $\sum_i y_i = 0$ for the suboptimal posture defined in Section 4.4, the Equation (25) could be approximated as:

$$v_z = -\dot{z}_g + \omega_y \frac{\sum_i x_i}{4} - \omega_x \frac{\sum_i y_i}{4} \approx -\dot{z}_g \quad (26)$$

The platform angular velocities $\boldsymbol{\omega}$ are coupled functions of $(\dot{\varphi}, \dot{\psi}, \dot{\theta})^t$. So, we introduce the coupling matrix \mathbf{D} such as $\mathbf{v}_p = \mathbf{D} (v_x, v_y, v_z, \dot{\varphi}, \dot{\psi}, \dot{\theta})^t$ (see detail in the Appendix). This leads to the following matrix form for each leg:

$$\begin{aligned} \mathbf{v}_p &= \mathbf{D} (\mathbf{C}_p \dot{\mathbf{p}} + \mathbf{C}_t \mathbf{v}_t) \\ \dot{x}_i &= \mathbf{C}_{x_i} \dot{\mathbf{p}} \end{aligned} \quad (27)$$

where \mathbf{C}_p , \mathbf{C}_t and \mathbf{C}_{x_i} are the corresponding component selection matrices.

The joint velocities are computed from this operational velocity vector by considering the inverse velocity model described in the previous paragraph. This model is based on the knowledge of contact normal vectors \mathbf{n}_i . Equation (17) shows that \mathbf{t}_i can be estimated from the measure of the absolute platform velocity $(\mathbf{v}, \boldsymbol{\omega})$ and the leg's joint velocities $(\dot{\alpha}_i, \dot{\beta}_i)$. However, this estimation is theoretically independent from the wheel's rotation rate ω_i . But for experimental tests, we use a simplified inverse velocity model which is based on a contact normal vector computed from the average plane of contact points $P_i(x_i, y_i, z_i)$.

Finally, the joint velocities are computed using Equation (22).

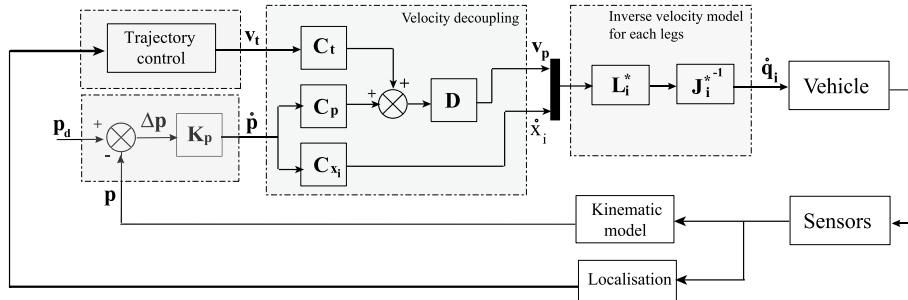


Figure 6: Posture control scheme

4.4 Suboptimal posture on slope

Due to the underlying difficulties of the on line optimization presented at the end of Section 3, we define here a suboptimal posture adapted to the motion of Hylos on sloping terrain.

By considering static analysis of forces distribution, we can determine that the stability margin and the balance of normal contact forces are optimal when the vertical component of contact forces are equally distributed. It is well known that vertical contact forces balance can be reached by minimizing the projected distance, on horizontal plane, between the vehicle c.o.g and the geometric center of wheel-ground contacts. Moreover, this criterion also optimizes the traction force.

Since the gauge is constant for the particular design of Hylos, it is clear that the sideways force balance, in the front view, is obtained when the roll angle is zero $\varphi = 0$. The second constraint concerns forces balance in the sagittal plane between front and rear wheels. For a specified positive nominal wheelbase x_n , the forces balancing criterion is verified if:

$$x_i = \frac{\overline{x_n}}{\cos(\psi)} - z_g \tan(\psi) \quad (28)$$

where $\overline{x_n}$ is the algebraic value of x_n which is positive for the front wheels and negative for the rear ones.

The vehicle ground clearance z_g , the pitch angle ψ , and the nominal wheelbase x_n are specified by the supervision control considering kinematic constraint on obstacle clearance and constraint involving embedded scientific instruments. For example, it could be necessary to keep the platform horizontal for vision based measurements.

5 Results

In this section, we first present results showing an enhancement of the locomotion performance in terms of stability margin and traction, with the suboptimal posture for motion on sloping ground. We choose a constant ground clearance $z_g = -(l_2 + r_w)$ and a pitch angle $\psi = 0$. The 5 other parameters of the posture vector are computed using the method presented in previous section with a nominal wheelbase $x_n = l_x + l_1$ (l_1 and l_2 are the length of the leg links, l_x is the half length of the platform).

Next, simulation results show the ability of the posture control algorithm to insure the system reliability on highly challenging terrains. Finally, experimental results on the posture control of Hylos moving on irregular terrain (consisting of a succession of slopes with different incline angles) show the feasibility and the interest of this method.

Furthermore, in order to illustrate the enhancement of Hylos locomotion performance, we purpose a comparison between the suboptimal posture configuration and the fixed-leg configuration. This configuration corresponds to a system without internal mobility degrees and consists to keep the legs in a fixed position defined by: $\alpha_i = \text{cte} = 0$ and $\beta_i = \text{cte} = -\pi/2$. In the rest of this paper, the fixed-leg configuration will be referred to as the nominal posture.

5.1 Suboptimal posture on a sloping ground

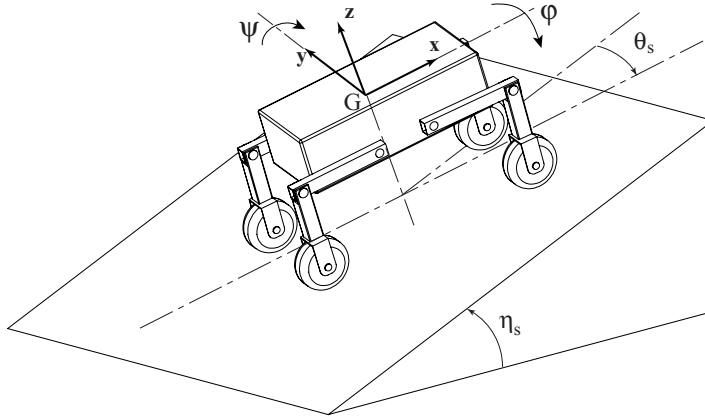


Figure 7: Slope angles definition

We denote η_s the maximum slope angle with respect to the horizontal plane and θ_s the heading angle of the robot \mathbf{x} axis with respect to the line of maximum slope (see Figure 7). Then, the corresponding pitch and roll angles of the robot in the rigid

nominal posture are:

$$\begin{aligned}\varphi &= \arcsin(\sin(\theta_s)\sin(\eta_s)) \\ \psi &= \arcsin(\cos(\theta_s)\sin(\eta_s))\end{aligned}\tag{29}$$

For each pair of angles (η_s, θ_s) , the static model is solved for the suboptimal posture defined above and for the rigid nominal posture. Then, we compute the stability limit ($m_s = 0$) and the controllability limit ($\rho_{max} = f_s$), which is the limit when slipping occurs.

The stability and controllability limits are represented on the polar coordinate graph in Figure 8 with η_s for the radius and θ_s for the angle. Obviously, the stability and controllability domains are much larger for the suboptimal posture case. For the nominal posture, the stability and controllability are smaller for $\theta_s = \pi/2$ as the gauge (vehicle width) is smaller than the wheelbase (vehicle length). When the suboptimal posture is considered, the stability limit is theoretically very important but is, in practice, mainly constrained by the operational workspace limit of each leg ($|\alpha_i| < 50^\circ$, $|\beta_i| < 50^\circ$). As the roll angle is constrained to zero, we obtain an isotropic behavior of the controllability limit curve.

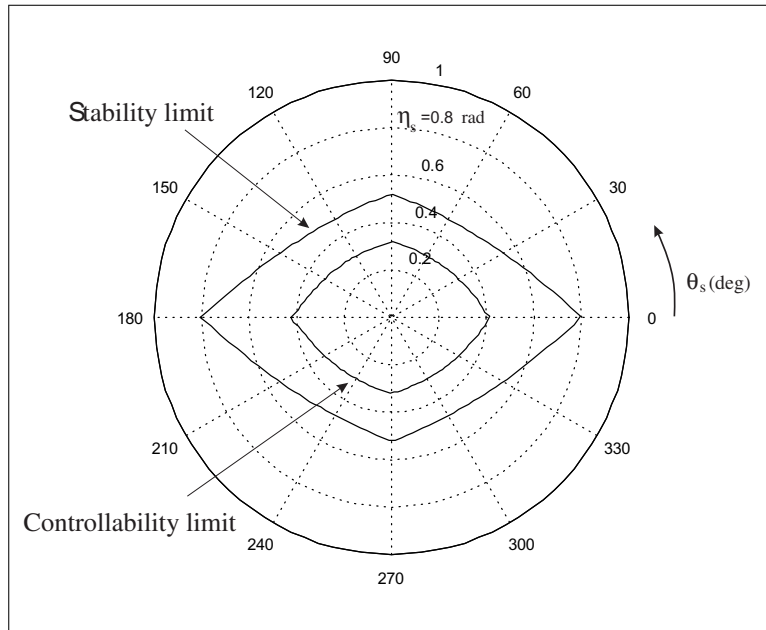
5.2 Simulation results on posture control

In order to evaluate the locomotion performance, we have developed a simulator [7] that takes into account the dynamics of wheel-legged robot and the wheel ground interactions. The posture control algorithm presented in Section 4 has been implemented and evaluated for the Hylos robot evolving on irregular terrain (see Figure 9).

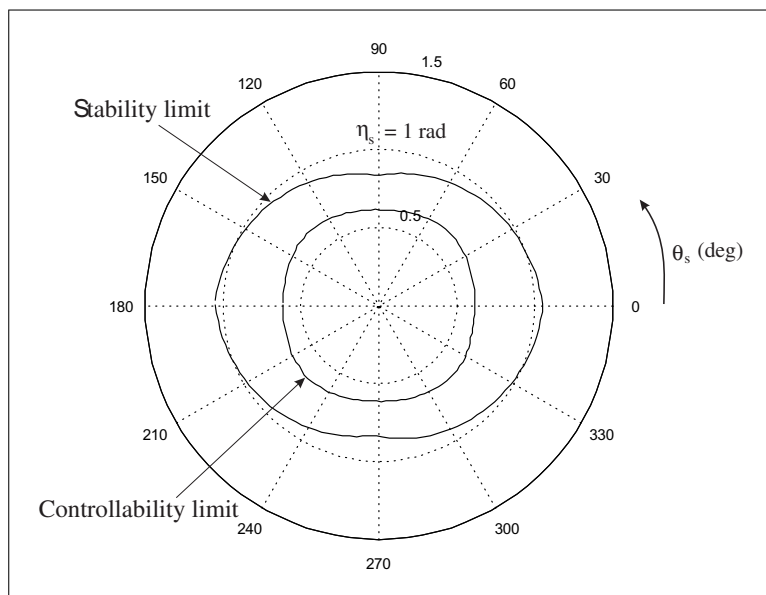
These simulations have the same initial and boundary conditions in terms of soil properties and robot state. We specified a constant straightforward trajectory with a velocity of 30 cm/sec. The simulations was performed with the suboptimal posture control and without posture control (constant nominal posture defined by $\alpha_i = 0, \beta_i = -\pi/2$). The terrain used for these simulations is roughly irregular with two different surface profiles in each sideway sagittal plane. It is a challenging terrain since without posture control the system exhibits a tipover instability.

The pitch and roll angles of the robot with posture control are plotted in Figure 10. This plot shows the performance of posture control for the selected feedback gain. Roll angles, which has the most important impact on the tipover margin, is well controlled, as the maximum error is less than 1° .

In the Figure 11, the normal force at each wheel-ground contact are represented, first in the case where the robot posture is not controlled (the fixed nominal posture) and secondly in the case where the robot is controlled to reach the suboptimal posture.

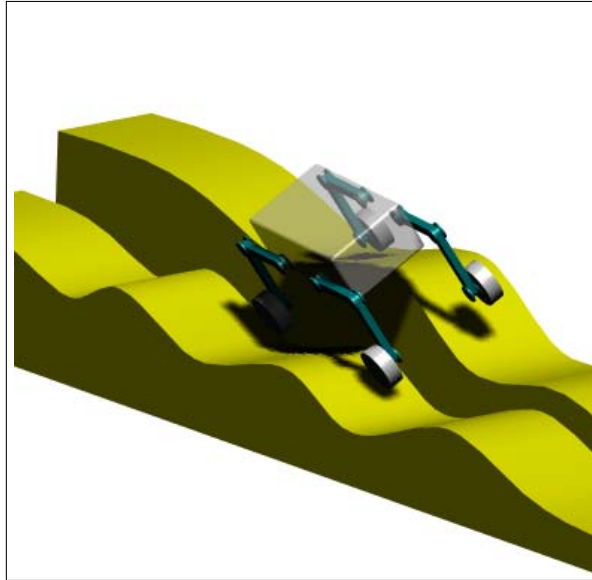


Nominal posture

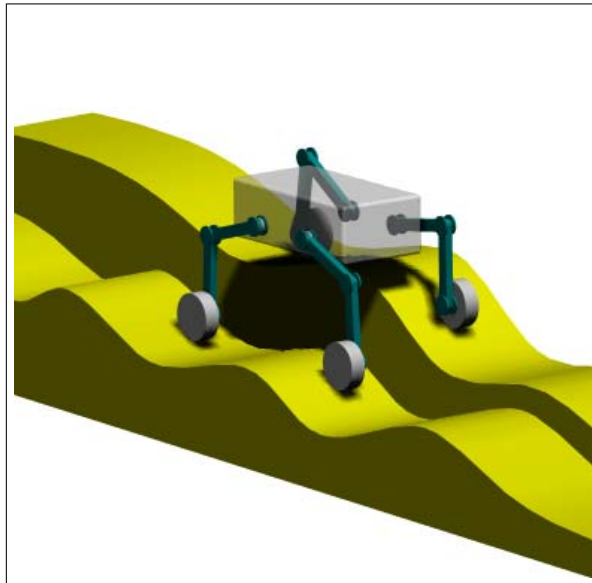


Suboptimal posture

Figure 8: Stability and controllability performance on a sloping ground



Without posture control
a tipover instability occurs



With posture control
the system stability is insured

Figure 9: Simulation of Hylos motion

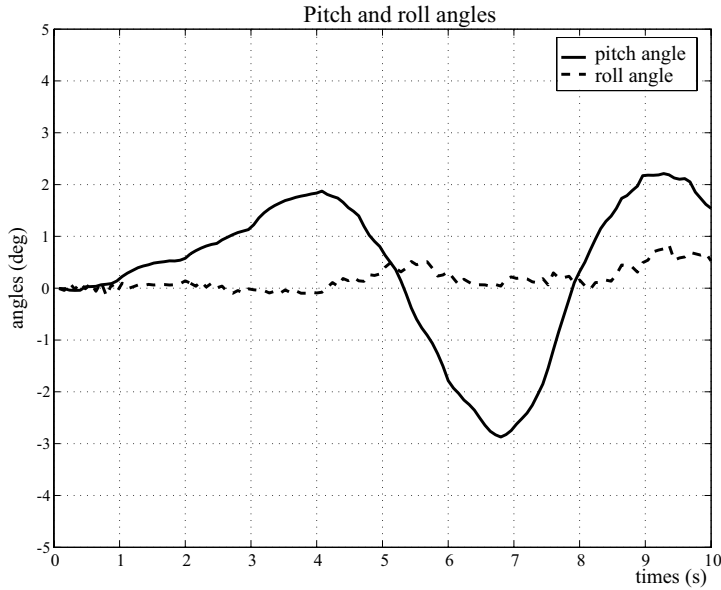


Figure 10: Pitch and roll posture control

The normal forces balance is clearly improved in the second case. When the posture control is used the maximum standard deviation is about 16 N against 42 N without posture control which is an enhancement of around 40% of the normal force distribution. Furthermore, we can notice that without posture control all the wheel are not kept in contact with the ground, whereas with supotimal posture control the minimal contact force is higher than half the average normal force.

Last, evolution of the stability margin m_s during robot motion is plotted in Figure 12. We remind that it corresponds to the minimum of all the tipover axis angles. It is computed in both the case of suboptimal posture control and the case of fixed nominal posture. The mean stability margin of the system with posture control is 0.6 rad whereas it is 0.15 rad with the rigid nominal posture. The minimum stability value is 0.5 rad using posture control and is null in the other case as tipover instability occurs. This represents a significant enhancement of the system stability.

Thus, these simulation results show the feasibility of the posture control on irregular asymmetric terrain and show the significant gain on the locomotion performance.

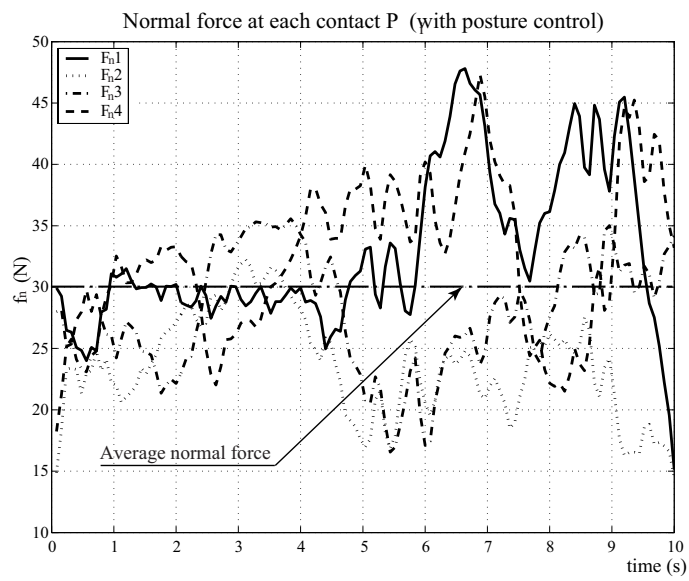
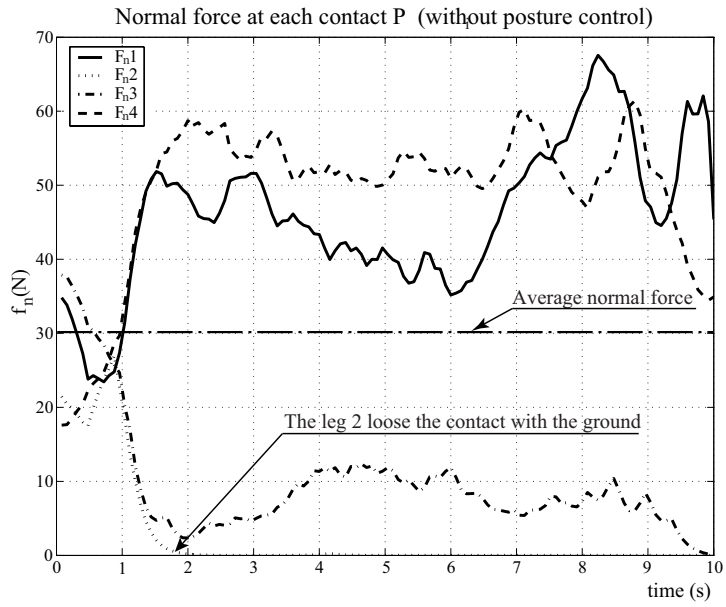


Figure 11: Forces balance criterion

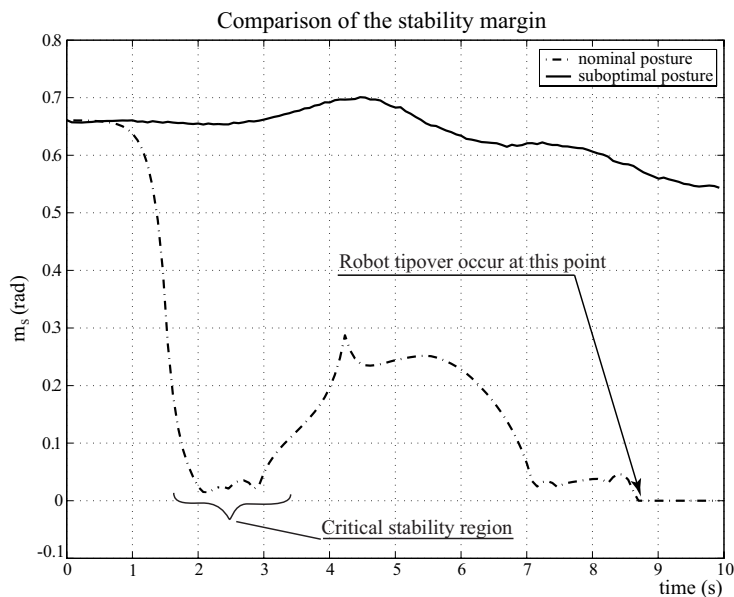


Figure 12: Stability margin criterion

5.3 Experimental results on posture control

The Hylos wheel-legged robot used for the experiments is approximately 60 cm long and weights 12 kg. It has four legs each combining a two degrees of freedom suspension mechanism with a steering and driven wheel. Each leg is made of two 20 cm length link driven by two electrical linear actuators and the wheel radius is 5 cm. This mechanism can be seen as a large displacement active suspension. Hylos is equipped with a two axis inclinometer measuring the platform pitch and roll angles. One Motorola MPC555 micro-controller is dedicated to the low-level control of the 16 actuators and a PC-104 board running RTLinux is used for the high-level posture control. Communication between the PC and the micro-controller is achieved through a CAN bus.

The results presented in this section consider two experimental setup. The first one is constituted by two successive slopes and corresponds to a nominal sloping terrain. The second is a more challenging one constituted by two different terrain profiles in the left and right sagittal plane. This is an asymmetric terrain that involves a decoupled variation of the vehicle pitch and roll angles during its motion.

Experiments on slopes: In the first experiment, the robot moves straightforward at a speed of 0.15 m/s and with a constant heading angle $\theta = 38^\circ$ on two successive slopes (see Figure 13). Thus, both the pitch and roll angles have to be controlled during the motion. The two main slope angles are 18° and 34° . The suboptimal posture is

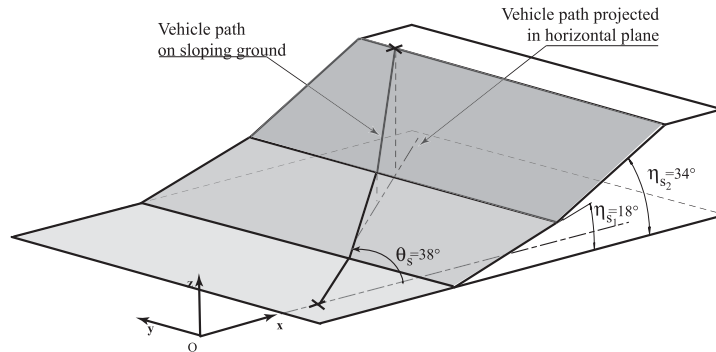


Figure 13: First experimental setup - Terrain profile

specified to be a null pitch and roll angles, a constant ground clearance z_g and the wheelbases are computed from the method presented in Section 4.4.

In Figure 14, the dashed curves represent the vehicle pitch and roll angles when posture control is active, and the solid curves is an estimation of the equivalent ground slope angles in pitch and roll directions. These angles correspond to the robot pitch and roll when it is moving with a fixed nominal posture and are computed with the Equation (29) defined in Section 5.1. The maximum error of corrected angles (the peak on each plot) is partially due to the response time of the feedback control (10 Hz) and partially due to the velocity limit of the leg's actuators.

Experiments on irregular terrain: In the second experiment, the robot moves straightforward at a speed of 0.08 m/s with heading angle $\theta = 0^\circ$ on an asymmetric irregular terrain (Figure 15). The measured pitch and roll angles are plotted in Figure 16. We compare in these plots the measured angles when the configuration is the rigid nominal posture and when the system is actively reconfigured around the suboptimal posture. These experiments show the ability of the control algorithm to maintain a certain posture. The maximum deviation of pitch and roll errors are respectively 3° and 4° with posture control against 10° and 30° without posture control (rigid nominal posture).

6 Conclusion

In this paper, we address the posture control of hybrid wheel-legged vehicles. A sub-optimal solution that improves both the global traction and stability performance was determined in the case of the Hyllos robot evolving on slopes.

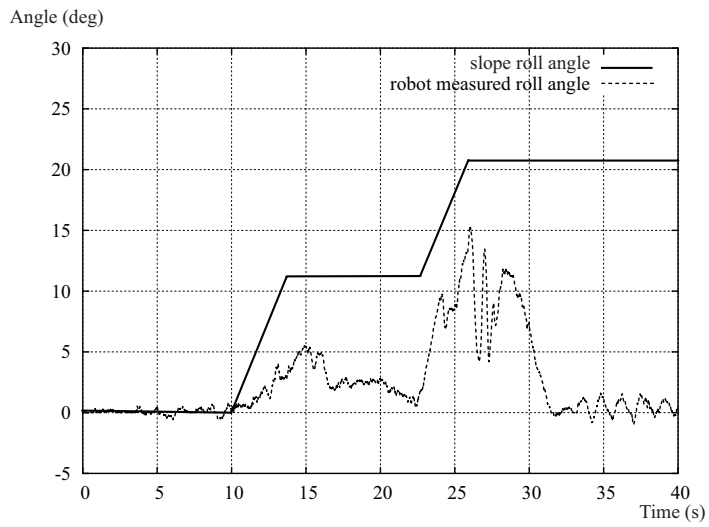
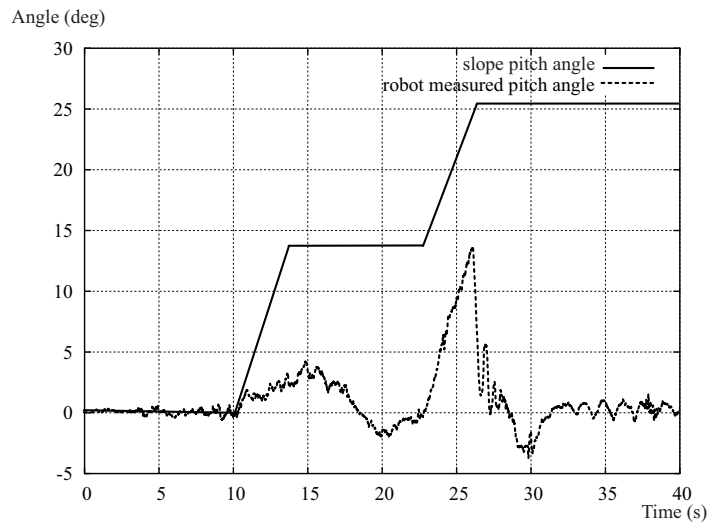
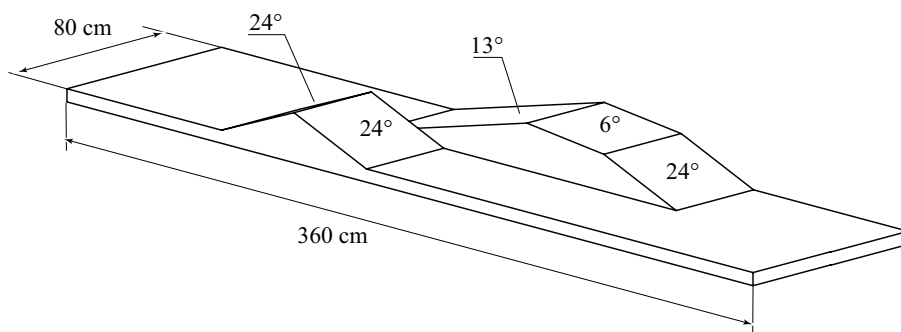
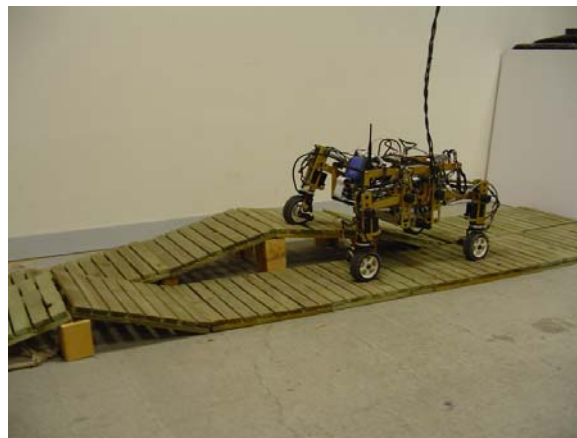


Figure 14: Experimental results of the posture control on slopes



(a) Terrain profil



(b) Hylos posture during motion

Figure 15: Second experimental setup

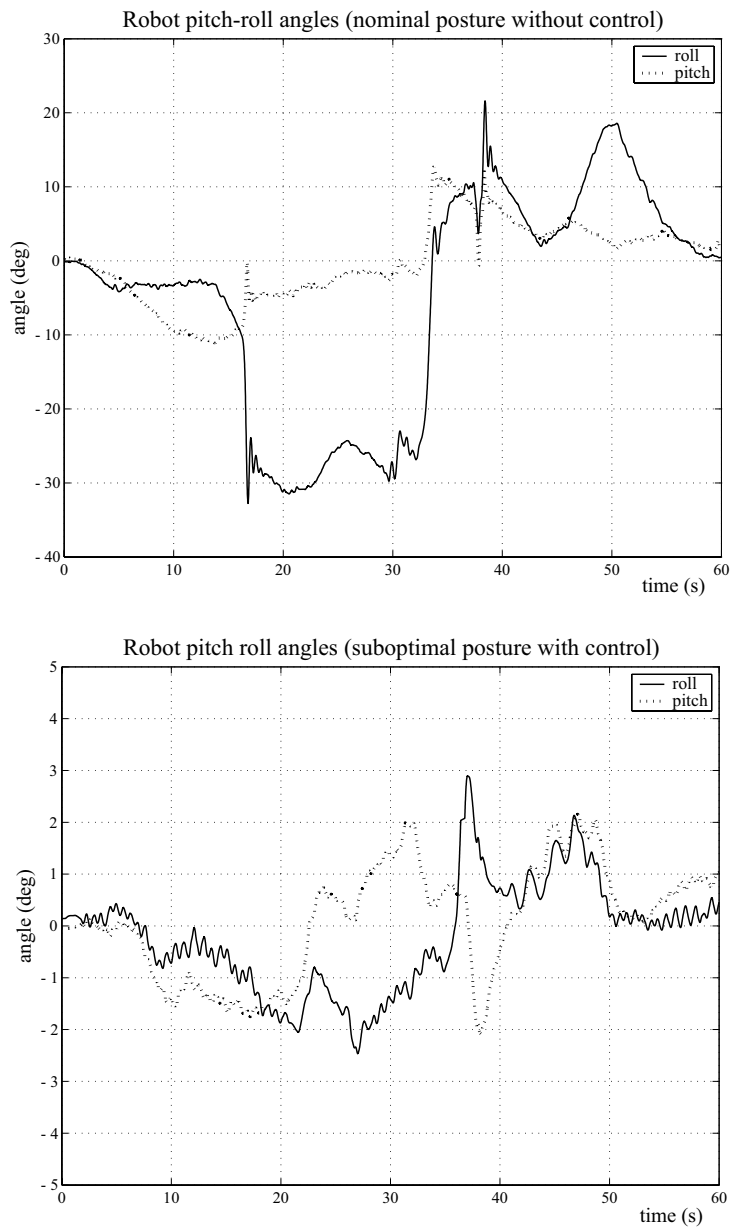


Figure 16: Experimental results of the posture control on irregular terrain

Then, an original velocity based posture control algorithm for a wheel-legged robot has been presented. This method is simple to implement as it needs only few sensors (a two axis inclinometer for the pitch-roll measurements and position sensors for the leg mechanism). This algorithm has been validated through simulations showing the capabilities of such redundantly actuated vehicle to enhance its own integrity and autonomy on critical environments. The practical feasibility of this control algorithm was evaluated and validated through experiments with the Hylos robot.

The next step in our work will be the forces measurement at each wheel-ground contact. These measurements will be useful for both the on line posture optimization and the posture control since the knowledge of the wheel-ground contact forces is a possible way to estimate the ground contact angles required for the posture optimization process. Further works will also deal with the dynamic stability control based on inertial measures for high obstacle clearance.

Appendix A: Decoupled kinematics

The rotation between platform frame and ground frame is defined by the conventional yaw(θ)-pitch(ψ)-roll(ϕ) angles and is expressed by the following rotation matrix :

$$\mathbf{R} = \begin{pmatrix} C_\theta C_\psi & S_\theta C_\psi & -S_\psi \\ -S_\theta C_\psi + C_\theta S_\psi S_\varphi & C_\theta C_\varphi + S_\theta S_\psi S_\varphi & C_\psi S_\varphi \\ S_\theta S_\varphi + C_\theta S_\psi C_\varphi & -C_\theta S_\varphi + S_\theta S_\psi C_\varphi & C_\psi C_\varphi \end{pmatrix} \quad (\text{A-1})$$

In this case, the relation between platform rotation components $\boldsymbol{\omega}$ and rotation parameters are:

$$\begin{cases} \omega_x = \dot{\varphi} - \dot{\theta} \sin \psi \\ \omega_y = \dot{\psi} \cos \varphi + \dot{\theta} \cos \psi \sin \varphi \\ \omega_z = \dot{\theta} \cos \psi \cos \varphi - \dot{\psi} \sin \varphi \end{cases} \quad (\text{A-2})$$

Then, we introduce the coupling matrix \mathbf{D} such as $\mathbf{v}_p = \mathbf{D} (v_x, v_y, v_z, \dot{\varphi}, \dot{\psi}, \dot{\theta})^t$:

$$\mathbf{D} = \begin{pmatrix} \mathbf{I}_{3 \times 3} & \mathbf{0} \\ \mathbf{0} & 1 & 0 & -S_\psi \\ & 0 & C_\varphi & C_\psi S_\varphi \\ & 0 & -S_\varphi & C_\psi C_\varphi \end{pmatrix} \quad (\text{A-3})$$

Appendix B: Hylos specific kinematics

Considering Hylos kinematics, the position of each contact point in platform frame is approximated by:

$$\begin{cases} x_i = \pm l_x + l_1 \cos \alpha_i + l_2 \cos(\alpha_i + \beta_i) \\ y_i = \pm l_y \\ z_i = -(l_1 \sin \alpha_i + l_2 \sin(\alpha_i + \beta_i) + r_w) \end{cases} \quad (\text{B-1})$$

where l_1 and l_2 are the length of the leg links, l_x and l_y are the half length and width of the platform (the sign of l_x and l_y depends on the position of each wheel-leg in the platform frame).

As the motion of the leg is constrained in the vehicle sagittal plane, the vector of the leg reconfiguring velocity is:

$$\dot{\alpha}_i \mathbf{y} \times \mathbf{a}_i + \dot{\beta}_i \mathbf{y} \times \mathbf{b}_i = (\dot{x}_i, 0, \dot{z}_i)^t \quad (\text{B-2})$$

and the time derivative of x_i and z_i :

$$\begin{cases} \dot{x}_i = -(l_1 \sin \alpha_i + l_2 (\sin \alpha_i + \beta_i)) \dot{\alpha}_i - l_2 \sin(\alpha_i + \beta_i) \dot{\beta}_i \\ \dot{z}_i = -(l_1 \cos \alpha_i + l_2 (\sin \alpha_i + \beta_i)) \dot{\alpha}_i - l_2 \cos(\alpha_i + \beta_i) \dot{\beta}_i \end{cases} \quad (\text{B-3})$$

Then, the velocity terms \mathbf{v}'_i used in Equation 23 is:

$$\begin{cases} v'_{i_x} = v_x + \omega_y z_i - \omega_z y_i + \dot{x}_i \\ v'_{i_y} = v_y + \omega_z x_i - \omega_x z_i \\ v'_{i_z} = v_z + \omega_x y_i - \omega_y x_i + \dot{z}_i \end{cases} \quad (\text{B-4})$$

The projection in the vehicle frame \mathcal{R} of the unit vector $\boldsymbol{\sigma}_i$ of each wheel axis gives:

$$\boldsymbol{\sigma}_i = \begin{pmatrix} -\sin(\gamma_i) \sin(\alpha_i + \beta_i) \\ \cos(\gamma_i) \\ \sin(\gamma_i) \cos(\alpha_i + \beta_i) \end{pmatrix} \quad (\text{B-5})$$

By solving the Equation (19) ($\boldsymbol{\sigma}_i^t \mathbf{v}'_i = 0$), we obtain:

$$-\text{S}_{\gamma_i} (v'_{i_x} \text{S}_{\alpha_i, \beta_i} - v'_{i_z} \text{C}_{\alpha_i, \beta_i}) + \text{C}_{\gamma_i} v'_{i_y} = 0 \quad (\text{B-6})$$

which gives the steering angle value γ_i of Equation (23).

In the time derivative of posture vector $\dot{\mathbf{p}}$, the \dot{z}_g component is a function of \mathbf{v}_p . We remind that z_g is defined as the average of the contacts height z_i (see Section 4.1). Thus, \dot{z}_g is computed as follow:

$$\dot{z}_g = \sum_i \frac{\dot{z}_i}{4} \quad (\text{B-7})$$

where $z_i = \mathbf{r}_i^t \mathbf{z}$.

The time derivative of z_i is:

$$\dot{z}_i = \dot{\mathbf{r}}_i^t \mathbf{z} + \mathbf{r}_i^t \dot{\mathbf{z}} \quad (\text{B-8})$$

where $\dot{\mathbf{r}}_i$ is the velocity of the contact point relatively to the vehicle frame.

So, by considering the pure rolling condition introduced in Section 3 (non-slipping and contact constraints), this leads to:

$$\dot{\mathbf{r}}_i = \mathbf{v}_{(P_i/\mathcal{R}_0)} - \mathbf{v}_{(G/\mathcal{R}_0)} = -\mathbf{v} \quad (\text{B-9})$$

Since the time derivative of \mathbf{z} vehicle frame vector is $\dot{\mathbf{z}} = \mathbf{S}(\boldsymbol{\omega})\mathbf{z}$, we obtain:

$$\dot{z}_i = -\mathbf{v}^t \mathbf{z} + \mathbf{r}_i^t (\mathbf{S}(\boldsymbol{\omega})\mathbf{z}) \quad (\text{B-10})$$

And finally, the time derivative of z_g is computed as follow:

$$\dot{z}_g = -\mathbf{v}^t \mathbf{z} + \frac{1}{4} \sum_i \mathbf{r}_i^t (\mathbf{S}(\boldsymbol{\omega})\mathbf{z}) \quad (\text{B-11})$$

References

- [1] G. Andrade, F. BenAmar, Ph. Bidaud, and R. Chatila. Modeling wheel-sand interaction for optimization of a rolling-peristaltic motion of a marsokhod robot. In *International Conference on Intelligent Robots and Systems*, pages 576–581, 1998.
- [2] J. Balaram. Kinematic state estimation for a mars rover. *Robotica*, 18(3):251–262, 2000.
- [3] F. BenAmar, V. Budanov, Ph. Bidaud, F. Plumet, and G. Andade. A high mobility redundantly actuated mini-rover for self adaptation to terrain characteristics. In *3rd International Conference on Climbing and Walking Robots*, pages 105–112, Madrid, Spain, 2000.
- [4] J.J. Craig. *Introduction to Robotics*. Addison-Wesley, 1989.
- [5] T. Estier, Y. Crausaz, B. Merminod, M. Lauria, R. Piguët, and R. Siegwart. An innovative space rover with extended climbing abilities. In *International Conference on Robotics in Challenging Environments*, Albuquerque, USA, 2000.
- [6] A. Ghasempoor and N. Sepehri. A measures of machine stability for moving base manipulators. In *IEEE Int. Conference on Robotics and Automation*, pages 2249–2254, 1995.

- [7] Ch. Grand, F. BenAmar, P. Bidaud, and G. Andrade. A simulation system for behaviour evaluation of off-road mobile robots. In *4th International Conference on Climbing and Walking Robots*, pages 307–314, Germany, 2001.
- [8] A. Halme, I. Leppänen, S. Salmi, and S. Ylönen. Hybrid locomotion of a wheel-legged machine. In *International Conference on Climbing and Walking Robots*, Madrid, Spain, 2000.
- [9] S. Hirose and H. Takeuchi. Study on roller-walk (basic characteristics and its control). In *IEEE Int. Conference on Robotics and Automation*, pages 3265–3270, 1996.
- [10] S. Hirose, H. Tsukagoshi, and K. Yoneda. Normalized energy stability margin and its contour of walking vehicles on rough terrain. In *IEEE Int. Conference on Robotics and Automation*, pages 181–186, 2001.
- [11] K. Iagnemma and S. Dubowsky. Vehicle wheel-ground contact angle estimation: with application to mobile robot traction control. In *Proceedings of the 7th Int. Symposium on Advances in Robot Kinematics*, pages 137–146, 2000.
- [12] K. Iagnemma, A. Rzepniewski, S. Dubowsky, and P. Schenker. Control of robotic vehicles with actively articulated suspensions in rough terrain. *Autonomous Robots*, 14(1):5–16, 2003.
- [13] A.L. Kemurdjian. Planet rover as an object of the engineering design work. In *IEEE International Conference on Robotics and Automation*, pages 140–145, Belgium, 1998.
- [14] V.R. Kumar and K.J. Waldron. Force distribution in closed kinematic chains. *IEEE Journal of Robotics and Automation*, 4(6):657–663, 1988.
- [15] R. McGhee and A. Frank. On the stability properties of quadruped creeping gait. *Mathematical Bioscience*, 3:331–351, 1968.
- [16] R.B. McGhee. Finite state control of quadruped locomotion. In *Proceedings of the International Symposium on External Control of Human Extremities*, 1966.
- [17] D.A. Messuri and C.A. Klein. Automatic body regulation for maintaining stability of a legged vehicle during rough terrain locomotion. *IEEE Journal of Robotics and Automation*, RA-1(3):132–141, 1985.
- [18] F. Michaud and al. Azimut, a leg-track-wheel robot. In *IEEE Int. Conference on Intelligent Robots and Systems*, pages 2553–2558, 2003.

- [19] E.G. Papadopoulos and D.A. Rey. A new measure of tipover stability for mobile manipulators. In *IEEE Int. Conf. on Robotics and Automation*, pages 3111–3116, 1996.
- [20] E. Rollins, J. Luntz, A. Foessel, B. Shamah, and W. Whittaker. Nomad: a demonstration of the transforming chassis. In *IEEE International Conference on Robotics and Automation*, pages 611–617, Belgium, 1998.
- [21] U. Saranli, M. Buehler, and D.E. Koditschek. Rhex: a simple and highly mobile hexapod robot. *Int. J. Robotics Research*, 20:616–631, 2001.
- [22] S.M. Song and K.J. Waldron. *Machines that walk: the adaptative suspension vehicle*. The MIT press, 1989.
- [23] S.V. Sreenivasan and K.J. Waldron. Displacement analysis of an actively articulated wheeled vehicle configuration with extensions to motion planning on uneven terrain. *Transactions of the ASME*, 118(6):312–317, 1996.
- [24] S.V. Sreenivasan and B.H. Wilcox. Stability and traction control of an actively actued micro-rover. *Journal of Robotics Systems*, 11(6):487–502, 1994.
- [25] R. Volpe. Rocky 7: A next generation mars rover prototype. *Journal of Advanced Robotics*, 11(4):341–358, 1997.