



HAL
open science

A Cable-Driven Parallel Robot with Full-Circle End-Effector Rotations

Marceau Métillon, Philippe Cardou, Kévin Subrin, Camilo Charron, Stéphane
Caro

► **To cite this version:**

Marceau Métillon, Philippe Cardou, Kévin Subrin, Camilo Charron, Stéphane Caro. A Cable-Driven Parallel Robot with Full-Circle End-Effector Rotations. *Journal of Mechanisms and Robotics*, 2021, 13, pp.031115-1 - 031115-9. 10.1115/1.4049631 . hal-03091921

HAL Id: hal-03091921

<https://hal.science/hal-03091921v1>

Submitted on 31 Dec 2020

HAL is a multi-disciplinary open access archive for the deposit and dissemination of scientific research documents, whether they are published or not. The documents may come from teaching and research institutions in France or abroad, or from public or private research centers.

L'archive ouverte pluridisciplinaire **HAL**, est destinée au dépôt et à la diffusion de documents scientifiques de niveau recherche, publiés ou non, émanant des établissements d'enseignement et de recherche français ou étrangers, des laboratoires publics ou privés.

A Cable-Driven Parallel Robot with Full-Circle End-Effector Rotations

Marceau Métillon^{1,2}, Philippe Cardou³, Kévin Subrin^{1,4}, Camilo Charron^{1,5}, Stéphane Caro^{1,2*}

¹ Laboratoire des Sciences du Numérique de Nantes (LS2N), UMR CNRS 6004, 44300 Nantes, France

² Centre National de la Recherche Scientifique (CNRS), 44321 Nantes, France

³ Laboratoire de robotique, Département de génie mécanique, Université Laval, Québec, QC, Canada

⁴ Université de Nantes, IUT, 44470 Carquefou, France

⁵ École Centrale de Nantes, 44321 Nantes, France

Emails: marceau.metillon@ls2n.fr, philippe.cardou@gmc.ulaval.ca,
kevin.subrin@ls2n.fr, camilo.charron@ls2n.fr, stephane.caro@ls2n.fr

Cable-Driven Parallel Robots (CDPRs) offer high payload capacities, large translational workspace and high dynamic performances. The rigid base frame of the CDPR is connected in parallel to the moving platform using cables. However, their orientation workspace is usually limited due to cable/cable and cable/moving platform collisions. This paper deals with the design, modelling and prototyping of a hybrid robot. This robot, which is composed of a CDPR mounted in series with a Parallel Spherical Wrist (PSW), has both a large translational workspace and an unlimited orientation workspace. It should be noted that the six degrees of freedom (DOF) motions of the moving platform of the CDPR, namely, the base of the PSW, and the three-DOF motion of the PSW are actuated by means of eight actuators fixed to the base. As a consequence, the overall system is underactuated and its total mass and inertia in motion is reduced.

1 Introduction

A Cable-Driven Parallel Robot (CDPR) belongs to a particular class of parallel robots where a moving platform is linked to a base frame using cables. Motors are mounted on a rigid base frame and drive winches. Cable coiled on these winches are routed through exit points located on the rigid frame to anchor points on the moving platform. The pose (position and orientation) of the moving platform is determined by controlling the cable lengths.

CDPRs have several advantages compared to classical parallel robots. They are inexpensive and can cover large workspaces [1]. The lightweight cables contribute to the lower inertia of the moving platform and consequently to a better dynamic performance over classical parallel robots [2]. Another characteristic of the CDPRs is their reconfigurability. Changing the overall geometry of the robot can be done by changing the exit points and anchor points.

Reconfigurability of the CDPRs is suitable for versatile applications especially in an industrial context [3, 4]. CDPRs have drawn researchers' interests towards robotic applications such as pick-and-place operations, robotic machining, manipulation, intralogistics measurements and calibration systems [5, 6].

CDPRs can offer an extremely large three-degrees of freedom translational workspace, but their orientation workspace is usually limited due to cable/cable and cable/moving platform collisions [7]. Cable interferences can be divided into cable-cable and cable-environment interferences [8]. For a given pose of the moving platform, cable-cable collision may occur by changing the moving platform orientation. Cable-environment collisions refer to the interferences between the moving platform and its surrounding environment.

This paper presents the concept of a hybrid manipulator with decoupled translation and orientation motions of the moving platform. It is called hybrid since two parallel mechanisms are connected in series [9], namely, a CDPR and a Parallel Spherical Wrist (PSW). In [10], a hybrid CDPR equipped with multiple platforms and up to nine cables is able to orientate a end-effector around an axis with an unlimited range of rotation. In [11, 12], redundant drive wire mechanisms are used for producing motions with high acceleration and good precision. In [13, 14, 15], differential cables are used to increase the size of the manipulator workspace. Differential cables consists into a set of two independent cables connecting the platform to two different winches, the latter being actuated by a differential mechanism driven by a single actuator. In [16], two spring-loaded cable-loops allows for the control of a two-DOF planar CDPR with only two actuators. Loaded springs ensure the compliance given by the variation of cable lengths and grants a higher stiffness to the mechanism. In [17], a bi-actuated cable is used in order to improve the orientation capacity of the end-effector of planar cable-driven robots. In [18] a hybrid CDPR uses a cable-

*Address all correspondence to this author.

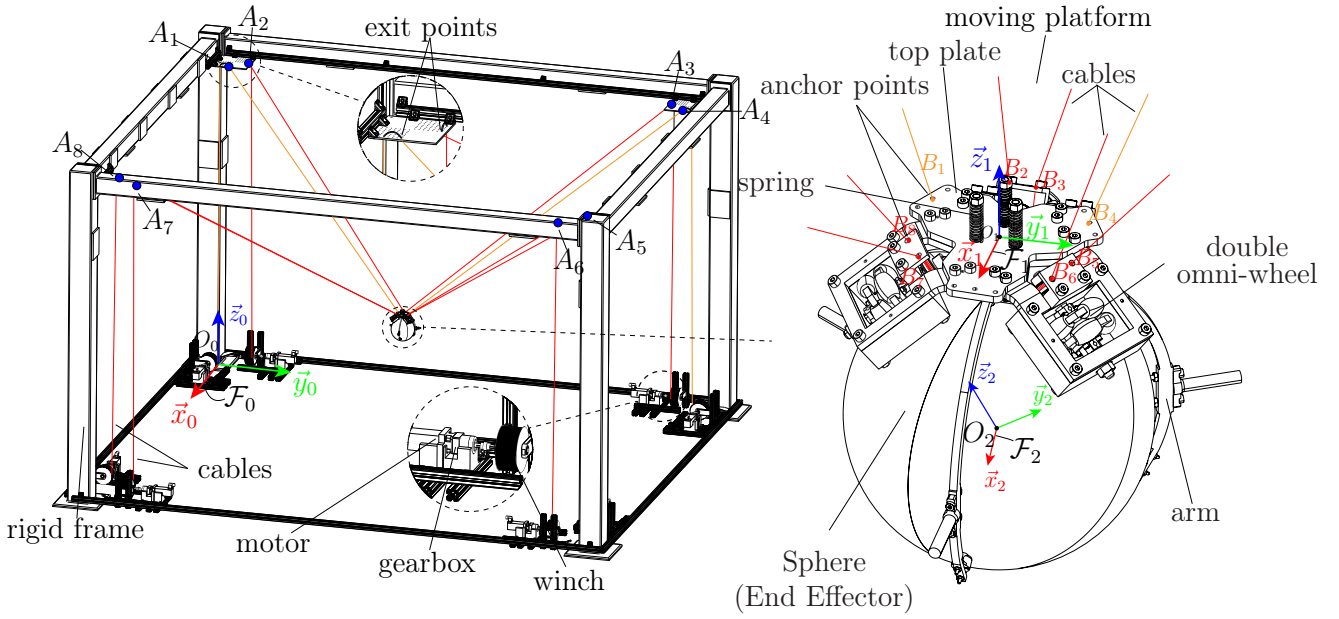


Fig. 1: CDPR with full-circle end-effector rotations

loop for remote actuation of an embedded hoist mechanism on the moving platform. In [19], a moving-platform embedding a two-DOF differential gear set mechanism is presented allowing the two-DOF unlimited rotational motions of the end-effector. Thanks to cable-loops (bi-actuated cables), the embedded mechanisms are actuated by transmitting power through cables from motors, which are fixed on the ground, to the moving platform [20]. Therefore, by remote actuation through cable-loops, the tethering of the power cable to the moving platform is eliminated [21]. Moreover, a lower mass and a lower inertia of the moving platform are obtained due to the remote actuators.

In this paper the mechanical design of the manipulator under study is presented in Section 2. Its kineto-static model is described in Section 3. The static workspace of the manipulator is studied in Section 4. The methodology followed to determine the optimal cable arrangement of the system is explained in Section 5. The developed prototype of the mechanism at hand and some experimental results are shown in Section 6. Conclusions and future work are drawn in Section 7.

2 Description and Parametrization of the Manipulator

The kinematic architecture of the manipulator consists of two parallel manipulators mounted in series. A CDPR grants a large translation workspace and a PSW grants an unlimited orientation workspace. This hybrid manipulator is able to combine advantages of both mechanisms in terms of large translation and orientation workspaces.

2.1 Overall Architecture

Figure 1 shows the overall architecture of the manipulator with its main components, namely, winches, exit-points and the moving platform. The winches control the cable

lengths, which move and actuate the moving platform. Cables are routed through exit-points located on the rigid frame and connected to anchor-points located on the moving platform.

Figure 1 shows the moving platform, which hosts a top plate assembly and embeds the PSW. The end-effector of the wrist is a sphere actuated by three cable-loops, which transmit the required power from motors fixed on the ground to the end-effector of the moving platform, namely the sphere.

The PSW is described in detail in Sec. 2.2 while the cable-loop system is presented in Sec. 2.3. The top plate has the six-DOF and the PSW grants a large orientation workspace to the sphere providing an overall nine-DOF workspace to the spherical end-effector regarding the base frame \mathcal{F}_0 .

2.2 Three-DOF Parallel Spherical Wrist

The concept of the PSW relies on the Atlas platform principle [22]. An end-effector is linked to the base of the wrist using a spherical joint. Three omni-wheels are linked to the wrist base with revolute joints. The end-effector is a sphere actuated by the rotation of the omni-wheels. The position of the wheel relative to the sphere surface was defined to allow a singular-free and unlimited orientation of the sphere around the global \vec{x}_0 , \vec{y}_0 and \vec{z}_0 axes as discussed in [23].

Here, the top plate of the CDPR amounts to the wrist base. Three carriage sub-assemblies are rigidly attached to the top plate. Every carriage hosts an omni-wheel. A three rigid arm platform hosts the sphere using three caster balls. Three anti-backlash compression springs are mounted on threaded rods using nuts, thus ensuring the connection of the arm platform to the top plate. The springs ensure an adjustable contact force of the omni-wheels on the sphere. The omni-wheels transmit torque to the sphere thanks to friction.

Each omni-wheel is independently driven by a cable-loop system.

2.3 Cable-Loop Principle

Figure 2 represents a simplified form of the cable-loop system. The latter consists of a single cable of which both ends are actuated by two motors while passing through exit-points, namely, A_1, A_2 , and anchor-points, namely, B_1, B_2 . The cable-loop is coiled up around a drum on the moving platform. The cable-loop drum then acquires one rotational DOF with respect to the moving platform. These can be used to actuate an embedded mechanism or to control additional degrees of freedom such as rotations over wide ranges. The purpose of the cable-loop is double. Firstly, its aim is to translate the top plate as two single cables would do when the coiling directions of both motors are the same. Secondly, it actuates the embedded drum by circulating the cable when coiling directions of the two actuators are different.

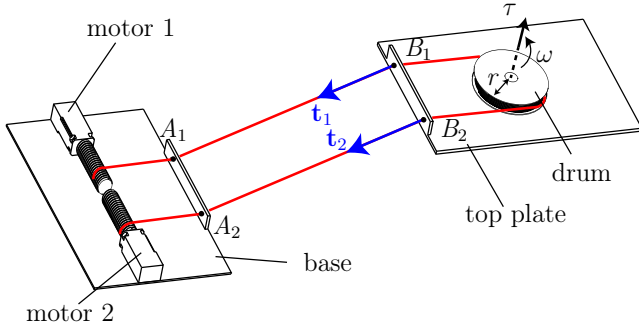


Fig. 2: Representation of a cable-loop

By controlling the difference of tension in both ends of the cable loop, namely $\delta t_{12} = t_1 - t_2$, it is possible to transmit torque τ to the pulley. This capacity can be used to increase the orientation workspace of the end-effector when the pulley is used to rotate the end-effector or the pulley can actuate an embedded mechanism without having the drawbacks of embedding the actuators on the platform. Here, three cable loops are used to actuate independently the three omni-wheels in contact with the sphere as illustrated in Fig. 2.

2.4 Overall Parameterization

As shown in Fig. 1, \mathcal{F}_0 denotes the frame fixed to the base of origin point O_0 and axes \bar{x}_0, \bar{y}_0 and \bar{z}_0 . \mathcal{F}_1 is the frame attached to the top-plate of origin point O_1 and axes \bar{x}_1, \bar{y}_1 and \bar{z}_1 . \mathcal{F}_2 is the frame attached to the end-effector, i.e., the sphere, of origin point O_2 , the geometric center of the sphere and axes \bar{x}_2, \bar{y}_2 and \bar{z}_2 .

It is noteworthy that \mathcal{F}_0 and \mathcal{F}_1 have a translational and orientational relative movement while \mathcal{F}_1 and \mathcal{F}_2 only have a relative rotational movement.

The exit points A_i are the points belonging to the frame through which the cables are routed between the winch and

the top plate. The anchor points B_i are the points belonging to the TP where the cables are connected. It is noteworthy that the cables are connecting exit points and anchor points accordingly and a unit vector expresses the cable direction. Therefore, the loop-closure equations associated with each cable are expressed as follows:

$${}^0\mathbf{l}_i = {}^0\mathbf{a}_i - {}^0\mathbf{p} - {}^0\mathbf{R}_1 {}^1\mathbf{b}_i \quad (1)$$

with $i \in \llbracket 1, \dots, 8 \rrbracket$ where ${}^0\mathbf{l}_i$ is the i -th cable vector, ${}^0\mathbf{a}_i$ is the corresponding anchor point expressed in the base frame, ${}^1\mathbf{b}_i$ is the coordinate vector of exit point in the platform frame, ${}^0\mathbf{p}$ is the position vector of the platform frame and ${}^0\mathbf{R}_1$ is the rotation matrix from \mathcal{F}_0 to \mathcal{F}_1 .

We can then write the i -th unit cable vector as:

$${}^0\mathbf{u}_i = \frac{{}^0\mathbf{l}_i}{l_i} \quad (2)$$

with l_i being the i -th cable length.

3 Kinetostatic Model of the Manipulator

In this section, we proceed to the kinetostatic modelling of the overall manipulator. We write the static equation of the manipulator as follows:

$$\mathbf{W}\mathbf{t} + \mathbf{w}_e = \mathbf{0}_9 \quad (3)$$

with \mathbf{W} being the wrench matrix, \mathbf{t} being the cable tension vector and \mathbf{w}_e being the external wrenches applied on the platform. In our case, we only consider the action of the weight of the moving platform as external wrench.

The wrench matrix of the manipulator \mathbf{W} is the concatenation of the wrench matrices of both mechanisms:

$$\mathbf{W} = \begin{bmatrix} \mathbf{W}_{TP} \\ \mathbf{W}_{SW} \end{bmatrix}_{9 \times 8} \quad (4)$$

where \mathbf{W}_{TP} is the wrench matrix associated to the top plate and \mathbf{W}_{SW} is the wrench matrix related to the PSW.

Similarly, the wrench vector of the manipulator consists of the wrench vector of both mechanisms:

$$\mathbf{w}_g = \begin{bmatrix} \mathbf{w}_g^{TP} \\ \mathbf{w}_g^{SW} \end{bmatrix}_{9 \times 1} \quad (5)$$

where \mathbf{w}_g^{TP} is the wrench vector associated to the top plate and \mathbf{w}_g^{SW} is the wrench vector exerted on the PSW. \mathbf{W}_{TP} and \mathbf{w}_g^{TP} are defined in Section 3.1 while \mathbf{W}_{SW} and \mathbf{w}_g^{SW} are defined in Section 3.2.

where $C_k = \cos(k)$ and $S_k = \sin(k)$, $k = \alpha, \beta, \gamma_1, \gamma_2, \gamma_3$. From [23], the PSW is fully isotropic from a kinematic viewpoint if and only if $\alpha = 35.2^\circ$ and $\beta = 0^\circ$. Therefore, those values are selected in what remains. Equation (10) is rewritten as follows:

$$\omega = \mathbf{J}_\omega \dot{\phi} \quad (14)$$

where $\mathbf{J}_\omega = \mathbf{A}^{-1} \mathbf{B}$, is the Jacobian matrix of the wrist, i.e., \mathbf{J}_ω is the mapping from angular velocities of the omni-wheels into the required angular velocity of the end-effector. Based on the theory of reciprocal screws [24], it turns out that:

$$\mathbf{m}_{SW}^T \omega = \tau^T \dot{\phi} \quad (15)$$

where $\mathbf{m}_{SW} = [m_x, m_y, m_z]^T$ is the output moment vector of the sphere and $\tau = [\tau_1, \tau_2, \tau_3]^T$ is the input torque vector, namely the omni-wheel torque vector. By substituting Eq. (14) into Eq. (15), we obtain:

$$\tau = \mathbf{J}_\omega^T \mathbf{m}_{SW} = \mathbf{W}_\omega \mathbf{m}_{SW} \quad (16)$$

The wrench matrix $\mathbf{W}_\omega = \mathbf{J}_\omega^T$ maps the output torque of the sphere to the omni-wheels torques. As shown in Fig. 4, τ can be expressed as a function of the cable tensions such that:

$$\tau_1 = r_d(t_1 - t_2) \quad (17)$$

$$\tau_2 = r_d(t_3 - t_4) \quad (18)$$

$$\tau_3 = r_d(t_5 - t_6) \quad (19)$$

where r_d is the radius of the embedded drum of the cable-loops.

From Eqs. (17) to (19), the omni-wheel torque vector τ is expressed as a function of the cable tensions as follows:

$$\tau = \mathbf{W}_c \mathbf{t} \quad (20)$$

where $\mathbf{t} = [t_1, \dots, t_8]^T$ is the cable tension vector and \mathbf{W}_c is the matrix assigning the cables to the cable-loops. If cable pairs (1, 2), (3, 4) and (5, 6) respectively correspond to cable-loops 1, 2 and 3, \mathbf{W}_c will take the form:

$$\mathbf{W}_c = \begin{bmatrix} r_d & -r_d & 0 & 0 & 0 & 0 & 0 & 0 \\ 0 & 0 & r_d & -r_d & 0 & 0 & 0 & 0 \\ 0 & 0 & 0 & 0 & r_d & -r_d & 0 & 0 \end{bmatrix} \quad (21)$$

The equilibrium of the wrench applied on the PSW is expressed as:

$$\mathbf{m}_{SW} = \mathbf{W}_{SW} \mathbf{t} \quad (22)$$

with \mathbf{m}_{SW} being the external moments applied by the environment onto the PSW. The wrench matrix \mathbf{W}_{SW} expresses the relationship between the cable tensions and the moment applied on the wrist.

$$\mathbf{W}_{SW} = \mathbf{W}_\omega \mathbf{W}_c \quad (23)$$

The orientation of the sphere with respect to the base frame is defined by the pitch angle θ , the yaw angle ψ and the roll angle χ while following the ZYX-Euler-angles convention. Those three angles are the components of the orientation vector \mathbf{q}_{SW} of the wrist, namely,

$$\mathbf{q}_{SW} = \begin{bmatrix} \theta \\ \psi \\ \chi \end{bmatrix} \quad (24)$$

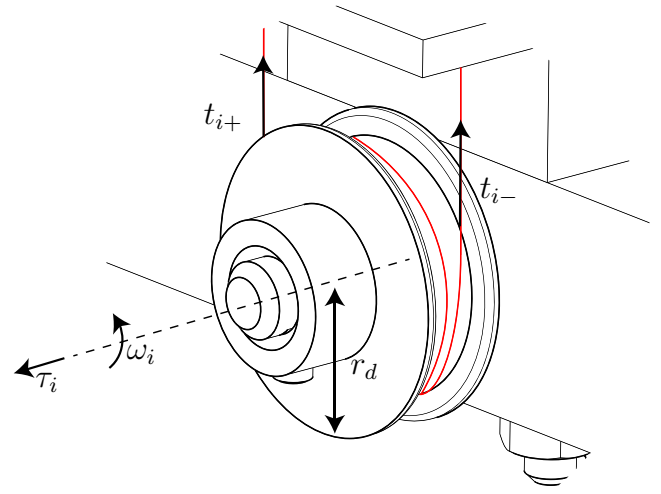


Fig. 4: Representation of a cable-loop drum

4 Workspace Analysis

The static workspace of the manipulator consists of the set of positions and orientations of the moving platform and the orientations of the end-effector, namely, ${}^0\mathbf{p}$ and ${}^0\mathbf{R}_1$ and ${}^0\mathbf{q}_{SW}$, which satisfies the static equilibrium of the manipulator.

The cable tension set \mathcal{T} amounts to a hyper-cube in an eight-dimensional space:

$$\mathcal{T} = \{\mathbf{t} \in \mathbb{R}^8 : \mathbf{t}_{min} \leq \mathbf{t} \leq \mathbf{t}_{max}\} \quad (25)$$

where \mathbf{t}_{min} and \mathbf{t}_{max} are respectively the lower and upper bounds of the cable tension.

The static workspace of the manipulator is defined as follows:

$$\mathcal{S} = \{({}^0\mathbf{p}, {}^0\mathbf{R}_1, {}^0\mathbf{q}_{SW} \in \mathbb{R}^3 \times SO(3) \times \mathbb{R}^3 : \exists \mathbf{t} \in \mathcal{T}, \mathbf{W}\mathbf{t} + \mathbf{w}_e = \mathbf{0}_9\} \quad (26)$$

where $SO(3)$ is the group of proper rotation matrices. The static workspace in a nine-dimensional space is expressed using the Equation (26). As the visualization of such high-dimensional space is impossible with common human perception in 3D, we define the static workspace of the manipulator for a simplified case. We define \mathcal{S} for a constant orientation of the top-plate. The former subset, namely, \mathcal{S}_{AO} is a set for a given orientation of the top-plate while the wrist is free to rotate:

$$\mathcal{S}_{AO} = \{{}^0\mathbf{p} \in \mathbb{R}^3 \mid {}^0\mathbf{R}_1 = \mathbf{I}_3 \mid -\pi \leq \theta, \psi, \chi \leq \pi : \exists \mathbf{t} \in \mathcal{T}, \mathbf{W}\mathbf{t} + \mathbf{w}_e = \mathbf{0}_9\} \quad (27)$$

The discretization of the Cartesian space is made so that n_x , n_y and n_z are the numbers of discretized points along \vec{x}_0 , \vec{y}_0 and \vec{z}_0 axes, respectively.

\mathcal{R}_S is defined as the proportion of the static workspace to the overall space occupied by the manipulator:

$$\mathcal{R}_S = \frac{N_S}{(n_x + 1)(n_y + 1)(n_z + 1)} \quad (28)$$

with N_S being the number of points inside the discretized static workspace \mathcal{S} .

5 Optimal Cable Arrangement

This section deals with the cable arrangement of the manipulator for obtaining the maximum size of the static workspace. The i -th cable arrangement is the association of anchor points B_i to exit points A_i . The top plate has fifteen points for anchor points and the manipulator has a maximum of eight actuators. Therefore, the optimal cable arrangement is defined as the association of eight anchor points to eight exit points such that the workspace is maximized.

The number of exit point combinations, \mathcal{N}_e is:

$$\mathcal{N}_e = \binom{n_e}{n_c} \quad (29)$$

with n_e and n_c being the numbers of available exit-points and cables, respectively. The number of anchor-points combinations, \mathcal{N}_a , consists in the number of permutations of the set of points, which is given by:

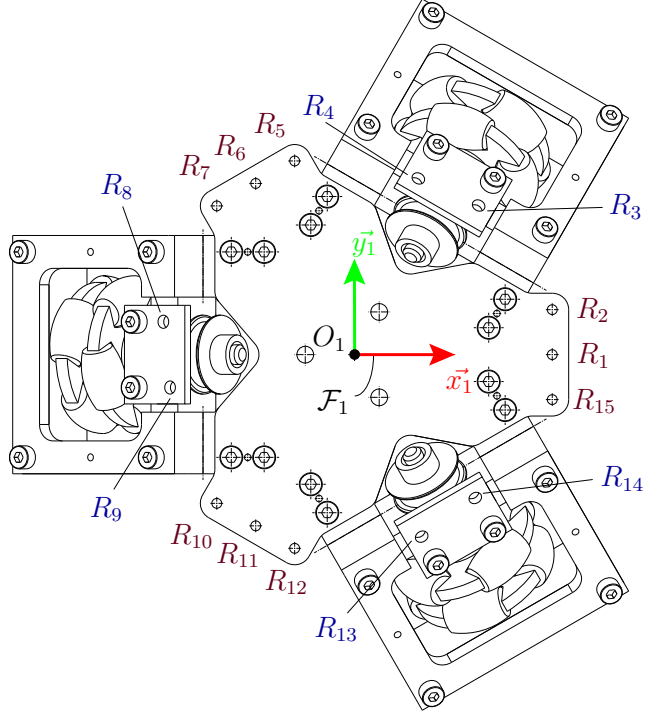


Fig. 5: The fifteen points for the anchor points on the moving-platform

$$\mathcal{N}_a = \binom{n_a}{n_c} n_c! \quad (30)$$

n_a being the number of selected anchor points. \mathcal{S}_C is the set of possible cable configuration, the number of cable configuration $\mathcal{N}_C = \dim(\mathcal{S}_C)$ is thus given by:

$$\mathcal{N}_C = \mathcal{N}_a \mathcal{N}_e = \binom{n_e}{n_c} \binom{n_a}{n_c} n_c! \quad (31)$$

Figure 5 shows all the available anchor points, namely, r_i , $i = 1, 2, \dots, 15$, which are divided into two groups: $\mathcal{S}_{CL} = \{R_3, R_4, R_8, R_9, R_{13}, R_{14}\}$ which is the set of points associated to cable-loops and $\mathcal{S}_{SC} = \{R_1, R_2, R_5, R_6, R_7, R_{10}, R_{11}, R_{12}, R_{15}\}$ which is the set of points associated to the simple cables. Six points amongst the fifteen points are selected to make the three cable loops. Therefore, nine remaining anchor points host the remaining two single-actuated cables.

$$n_c = n_{SC} + n_{CL} \quad (32)$$

The number of available anchor points for the single and bi-actuated cables are denoted as n_{aSC} and n_{aCL} :

$$n_a = n_{aSC} + n_{aCL} \quad (33)$$

The number, \mathcal{N}_{CL} , of combinations considering cable-loop is given by:

$$\mathcal{N}_{CL} = \binom{n_e}{n_c} \binom{n_{aSC}}{n_{SC}} n_c! \quad (34)$$

Six points are associated to the wrist actuation and consequently to the three cable-loops: $n_{aCL} = 6$. The remaining nine anchor points are to be assigned to simple cables $n_{aSC} = 9$. Finally, \mathcal{N}_{CL} , expressed in Eq. (34) is given by:

$$\mathcal{N}_{CL} = \binom{8}{8} \binom{9}{2} 8! = 1\,451\,520 \quad (35)$$

As \mathcal{N}_{CL} is very large, for computing-time sake, the number of available points for anchor points is supposed to be equal to three. Thus $S_{SC} = \{R_1, R_6, R_{11}\}$. By substituting $n_{aSC} = 3$ into Eq. (34) we obtain:

$$\mathcal{N}_{CL} = \binom{8}{8} \binom{3}{2} 8! = 120\,960 \quad (36)$$

The static workspace is computed for the 120 960 cable arrangements. Figure 6 illustrates the cable arrangement corresponding to the largest workspace. Figure 6a shows a schematic of the anchor-plate as well as the optimal cable arrangement. Figure 6b shows the corresponding static workspace with $\mathcal{R}_S = 65\%$.

6 Prototyping and Experimentation

The prototyping of a CDPDR with full-circle end-effector rotations is presented in this section. The base frame of the prototype shown in Fig. 7 is 4 m long, 3.5 m wide and 4 m high. The full-circle end-effector rotations are obtained thanks to the PSW shown in Fig. 8. The PSW is mainly made up of a top plate, three double omni-wheels and a transparent sphere. The three-DOF rotational motions of the sphere are obtained from the rotations of the omni-wheels. Each omni-wheel is driven by a cable loop, the strands of the cable being respectively wound around two actuated reels fixed to the ground. A flight controller ©Pixhawk, embedded in the sphere, is used to measure its orientation, angular velocity and linear acceleration. This controller, equipped with a gyroscope, an accelerometer and a magnetometer, acts as a data-logger device to record measurements. The overall mass of the PSW is equal to 1.87 kg. It should be noted

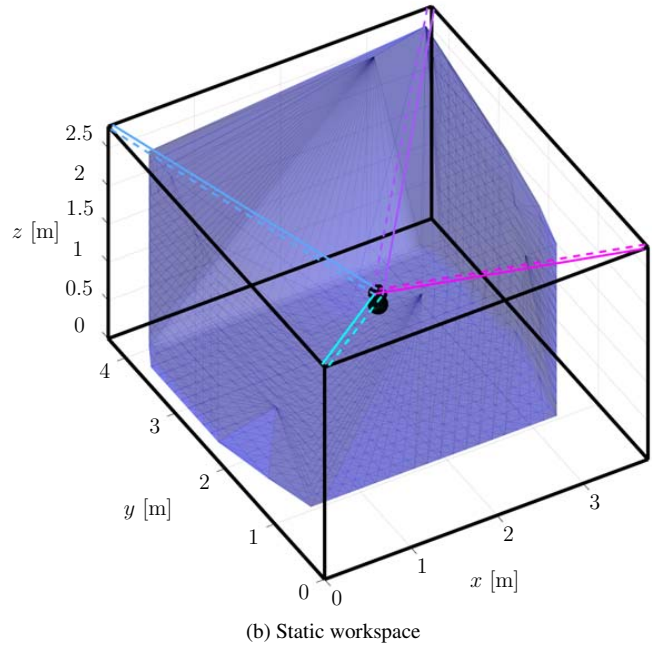
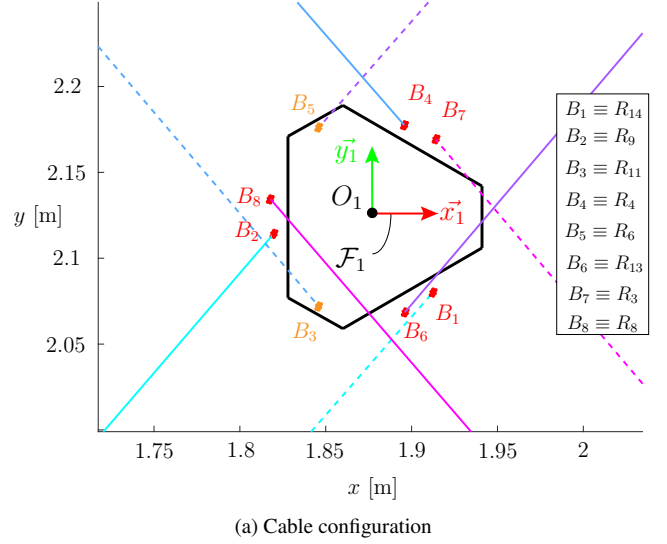


Fig. 6: Optimum cable arrangement and static workspace

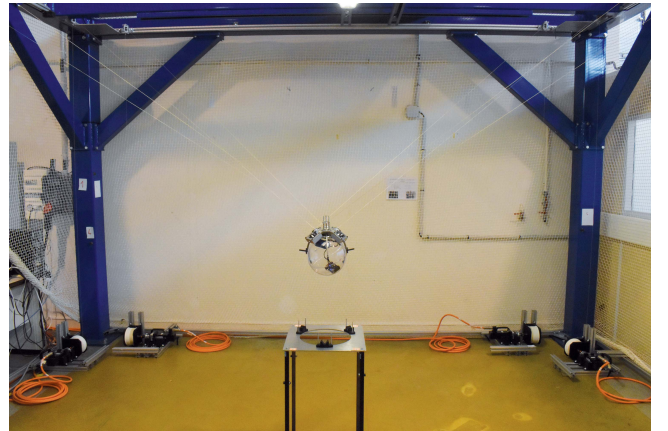


Fig. 7: The CDPDR prototype with full-circle end-effector rotations

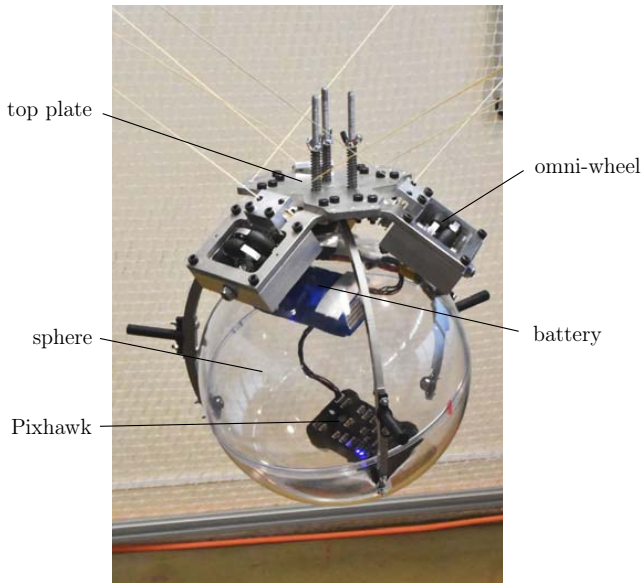


Fig. 8: The parallel spherical wrist equipped with a Pixhawk flight controller

that the manipulator is under-actuated because the moving-platform including the PSW has nine degrees of freedom whereas the prototype has only eight actuators.

Figure 9 shows the main hardware of the prototype, which consists of a PC (equipped with ©MATLAB and ©ControlDesk software), eight ©PARKER SME60 motors and TPD-M drivers, a ©dSPACE DS1007-based real-time controller and eight custom-made winches.

Slippage between the omni-wheels and the sphere inevitably leads to drift in the orientation when tracking a prescribed trajectory. Therefore, this robot is intended for

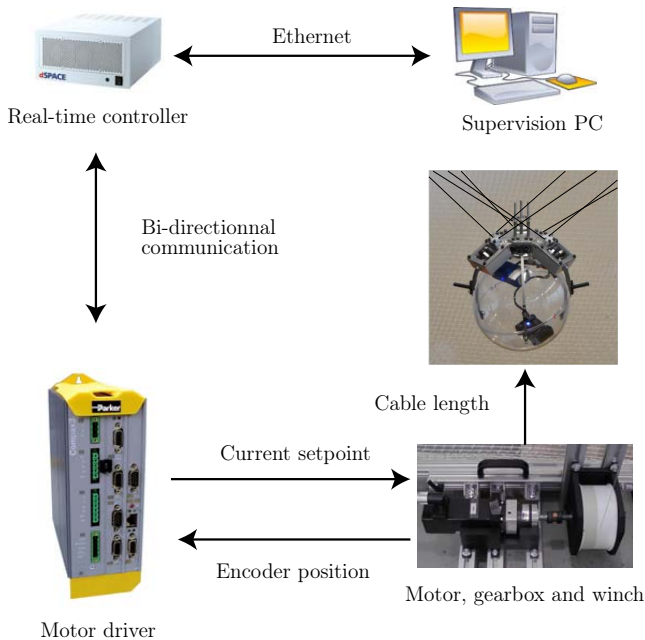


Fig. 9: Equivalent architecture of the prototype

teleoperation applications where an operator can compensate for the errors that accumulate over time. In this context, the robot performance is best assessed by comparing its angular velocity response to an angular velocity input rather than by looking at its ability to track position and orientation over a trajectory.

The performances of the prototype were experimentally evaluated along the following three trajectories:

Trajectory 1: Pure rotational motions of the sphere about axes parallel to x_0 , y_0 and z_0 , respectively, while the top plate is fixed to its support. A fifth-order polynomial is used to obtain continuous velocity and acceleration trajectory profiles.

Trajectory 2: Pure translational motions of the top plate along four successive straight line segments whereas the sphere does not rotate. A fifth-order polynomial is used to determine the velocity and acceleration profiles along each line segment.

Trajectory 3: The top plate performs a vertical translational motion while the sphere rotates.

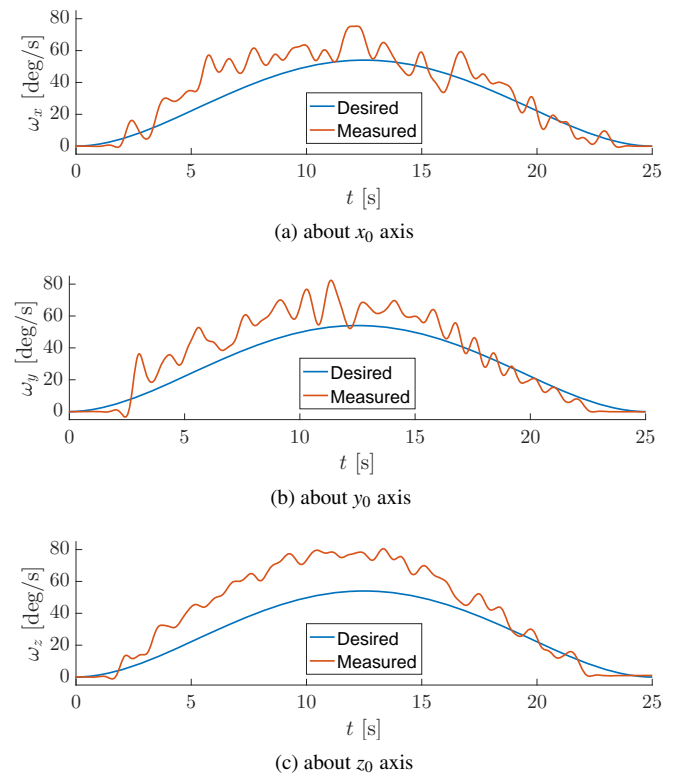


Fig. 10: Desired and measured angular velocities of the sphere along Trajectory 1

A [video](#)¹ illustrates the experiments carried out with the prototype. The experimental motions of the sphere along Trajectory 1 are shown in the video from 0min 5s to 1min 7s.

¹<https://bit.ly/3hvpsL2>

Figures 10(a)-(c) depict the difference between the desired and measured angular velocities ω_x (ω_y , ω_z , resp.) about axis x_0 (y_0 , z_0 , resp.) of the sphere expressed in frame \mathcal{F}_0 .

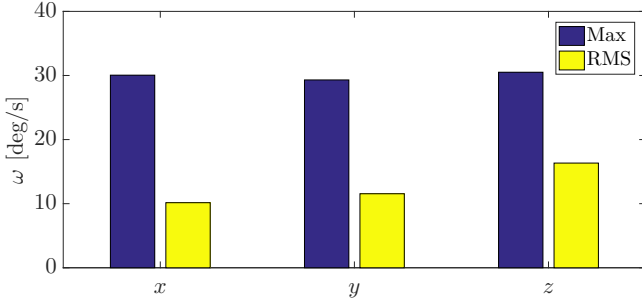


Fig. 11: Maximum and root mean square errors on the sphere angular velocity along Trajectory 1

As shown in Fig. 11, the maximum error on the sphere angular velocity along Trajectory 1 is about 30 deg/s. It should be noted that the root-mean square error of the angular velocity of the sphere is smaller about x_0 than about z_0 . Although errors are present between the desired and obtained angular velocities of the end-effector, those experiments confirm the fidelity of the PSW kinematic model obtained in Eq. (23), the kinematic Jacobian matrix of the cable-actuated PSW being the opposite of the transpose of the wrench matrix \mathbf{W}_{SW} . The errors between measured and desired end-effector angular velocities are mainly due to the slippage between the omni-wheels and the sphere.

The experimental motions of the wrist along Trajectory 2 are shown in the [video](#)¹ from 1min 7s to 3min 41s. Let θ_e denote the rotation angle of the top plate. θ_e is defined from ${}^0\mathbf{R}_1$ as follows:

$$\theta_e = \arccos\left(\frac{\text{tr}({}^0\mathbf{R}_1) - 1}{2}\right), 0 \leq \theta_e \leq \pi \quad (37)$$

Figure 12 shows the evolution of θ_e , i.e., the parasitic inclination of the top plate, along the four straight line segments of Trajectory 2. Figure 12 illustrates the large translational workspace of the manipulator as presented in Figure 6b. It is apparent that the maximum parasitic inclination angle of the top plate along this trajectory is about 10 deg. Furthermore, Fig. 12 shows the validity of the kinematic model of the top plate defined in Eq. (7). The kinematic model of the robot is well validated quantitatively considering the small value of the parasitic inclinations. Nevertheless, its static model could not be validated other than by observing that inclinations of the top plate are mainly due to friction in the PSW to be identified and errors in the identified Cartesian coordinates of the cable exit points.

The experimental motions of the wrist along Trajectory 3 are shown in the [video](#)¹ from 3min 41s to 5min 38s. It

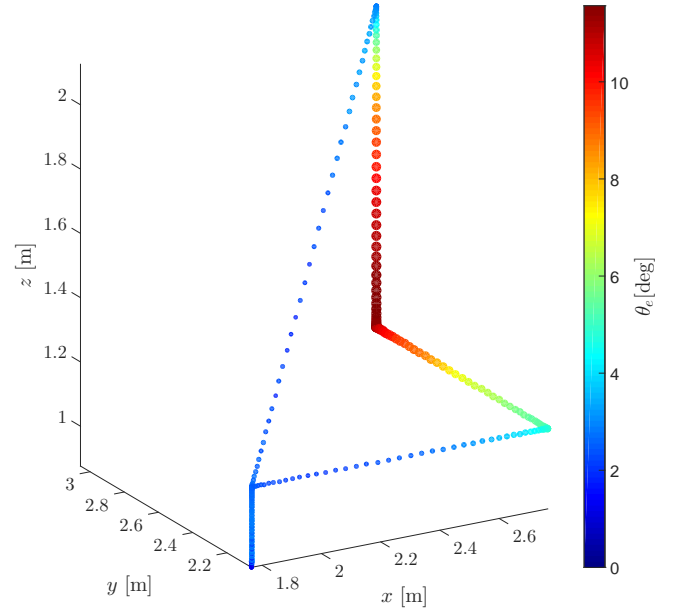


Fig. 12: Parasitic inclination of the top plate along Trajectory 2

is noteworthy that parasitic inclinations of the top plate appear once the sphere starts rotating. These parasitic motions are caused by several factors. Some improvements in the PSW design and robot control are needed to address these weaknesses. First, the cable anchor points located on the top plate and shown in Fig. 5 are very close to each other leading to a high sensitivity of the orientation of the top plate to variations in cable lengths. Thus, this kinematic sensitivity should be reduced by moving the cable anchor points away from each other on the top plate. Besides, it is difficult to manage (i) the friction between the sphere and the three bearings that support it, (ii) the friction and contact between the omni-wheels and the sphere, and (iii) the friction and slippage between the cable loops and the three pulleys around which the cables are wrapped. Indeed, it can be noted in the previous videos that the omni-wheels sometimes start to slide on the sphere and that they do not turn at other times when the cable loop is supposed to circulate. To resolve these issues, it is necessary to better manage the cable tensions and improve the manufacturing and assembly of some parts such as the connection between the double omni-wheels and the top plate. Finally, the flexibility of the three arms holding the sphere may be responsible for bad contacts between the sphere and the omni-wheels.

7 Conclusions

This paper dealt with the design, modelling and prototyping of a hybrid robot. This robot, which is composed of a CDPR mounted in series with a PSW, has both a large translational workspace and an unlimited orientation workspace. It should be noted that the six degrees of freedom motions of the moving platform of the CDPR, namely, the base of the PSW, and the three-DOF motion of the PSW are actuated by

¹<https://bit.ly/3hvpLS2>

means of eight actuators fixed to the base. As a consequence, the overall system is underactuated and its total mass and inertia in motion is reduced.

The kinetostatic model of the hybrid robot was expressed in order to determine its static equilibrium condition and find the cable arrangement maximizing its static workspace. A prototype of the CDPR with full-circle end-effector rotations was realized. The performances of the prototype were experimentally evaluated by measuring its angular-velocity response over and parasitic inclinations along three test trajectories. It appears that the maximum angular velocity error of the sphere is about 30 deg/s along the first trajectory for which the top plate remains on its support. Future work will focus on reducing parasitic inclinations of the end-effector thanks to an improved design of the wrist and better management of the cable tensions.

Acknowledgements

This work was supported by both the ANR CRAFT project, grant ANR-18-CE10-0004 and the RFI AtlanSTIC2020 CREATOR project. Assistance provided by Dr. Saman Lessanibahri and M. Julian Erskine through the experimentation process is highly appreciated.

Nomenclature

$\mathcal{F}_0(O_0, x_0, y_0, z_0)$	Base frame attached to the rigid frame of the robot
$\mathcal{F}_1(O_1, x_1, y_1, z_1)$	Frame attached to the top plate
$\mathcal{F}_2(O_2, x_2, y_2, z_2)$	Frame attached to the end-effector of the Parallel Spherical Wrist
\mathbf{l}_i	i -th cable vector pointing from B_i to A_i , $i \in \llbracket 1, \dots, 8 \rrbracket$
\mathbf{a}_i	Cartesian coordinates vector of point A_i , $i \in \llbracket 1, \dots, 8 \rrbracket$
\mathbf{b}_i	Cartesian coordinates vector of point B_i , $i \in \llbracket 1, \dots, 8 \rrbracket$
\mathbf{p}	Cartesian coordinates vector of point P
\mathbf{u}_i	i -th cable unit vector, $i \in \llbracket 1, \dots, 8 \rrbracket$
\mathbf{t}	Cable tension vector
\mathbf{w}_e	External wrench vector
\mathbf{w}_g^{TP}	External wrench vector associated to the top plate
\mathbf{w}_g^{SW}	External wrench vector associated to the Parallel Spherical Wrist
\mathbf{d}_i	Cross-product of \mathbf{b}_i and \mathbf{u}_i , $i \in \llbracket 1, \dots, 8 \rrbracket$
\mathbf{f}_{TP}	Force applied on the top plate
\mathbf{m}_{TP}	Moment applied on the top plate
\mathbf{m}_{SW}	External moments applied by the environment onto the end-effector
\mathbf{v}_i	Axis of actuation force produced by the i -th omni-wheel on the sphere
\mathbf{n}_i	Unit normal vector of i -th omni-wheel on plane π_i at point C_i
\mathbf{q}_{SW}	Orientation vector of the end-effector
l_i	i -th cable length, $i \in \llbracket 1, \dots, 8 \rrbracket$
r_s	Radius of the sphere
r_o	Radius of the omni-wheels
r_d	Radius of the embedded drum of the cable loop
A_i	i -th cable exit point, $i \in \llbracket 1, \dots, 8 \rrbracket$
B_i	i -th cable anchor point, $i \in \llbracket 1, \dots, 8 \rrbracket$

C_i	Contact point between the i -th omni-wheel and the sphere, $i \in \llbracket 1, 2, 3 \rrbracket$
R_i	Available anchor point on the top plate $i \in \llbracket 1, \dots, 15 \rrbracket$
$\dot{\phi}_i$	Angular velocity of the i -th omni-wheel, $i \in \llbracket 1, 2, 3 \rrbracket$
ω	3-dimensional angular velocity of the end-effector
α	Angle associated to the position of the contact points C_i on the sphere, $\alpha \in [0, \pi]$
β	Angle between tangent to the sphere and the actuation force of the omni-wheel, $\beta \in [-\frac{\pi}{2}, \frac{\pi}{2}]$
γ_i	Angle between the contact points C_i and \vec{x}_1 , $i \in \llbracket 1, 2, 3 \rrbracket$
θ	Pitch angle of the end-effector
ψ	Roll angle of the end-effector
χ	Yaw angle of the end-effector
τ_i	i -th omni-wheel torque
${}^0\mathbf{R}_1$	Rotation matrix from frame \mathcal{F}_0 to frame \mathcal{F}_1
\mathbf{W}	Wrench matrix
\mathbf{W}_{TP}	Wrench matrix related to the top plate
\mathbf{W}_{SW}	Wrench matrix related to the Parallel Spherical Wrist
\mathbf{A}	Forward Jacobian matrix of the Parallel Spherical Wrist
\mathbf{B}	Inverse Jacobian matrix of the Parallel Spherical Wrist
\mathbf{W}_c	Wrench matrix of the cable-loop
Π_i	Plane passing through the contact point C_i and tangent to the sphere, $i \in \llbracket 1, 2, 3 \rrbracket$
\mathcal{L}_i	Line tangent to the sphere on C_i in the plane (\vec{x}_1, \vec{y}_1)
\mathcal{S}	Static workspace of the manipulator
\mathcal{S}_{AO}	Static workspace of the manipulator with a given orientation of the top plate
\mathcal{R}_S	Proportion of the static workspace to the overall space occupied by the manipulator
N_S	Number of points inside the discretized static workspace
\mathcal{N}_e	Number of exit point combinations
\mathcal{N}_a	Number of anchor points
\mathcal{N}_C	Number of cable configurations
\mathcal{N}_{CL}	Number of cable configurations considering cable-loop
n_e	Number of available exit-points
n_c	Number of cables
n_a	Number of selected anchor points
n_{aSC}	Number of available anchor points for the single cable
n_{aCL}	Number of available anchor points for cable-loop
\mathcal{S}_C	Set of possible cable configurations

References

- [1] Hussein, H., Santos, J. C., and Gouttefarde, M., 2018. "Geometric optimization of a large scale cdpr operating on a building facade". In 2018 IEEE/RSJ International Conference on Intelligent Robots and Systems (IROS), IEEE, pp. 5117–5124. 1
- [2] Kawamura, S., Choe, W., Tanaka, S., and Pandian, S. R., 1995. "Development of an ultrahigh speed robot falcon using wire drive system". In Proceedings of 1995 IEEE International Conference on Robotics and Automation, IEEE, pp. 215–220. 1

- [3] Gagliardini, L., Caro, S., Gouttefarde, M., and Girin, A., 2016. “Discrete reconfiguration planning for cable-driven parallel robots”. *Mechanism and Machine Theory*, **100**, pp. 313–337. PII: S0094114X16000513. **1**
- [4] Rasheed, T., Long, P., and Caro, S., 2020. “Wrench-Feasible Workspace of Mobile Cable-Driven Parallel Robots”. *Journal of Mechanisms and Robotics*, **12**(3). **1**
- [5] Qian, S., Zi, B., Shang, W.-W., and Xu, Q.-S., 2018. “A review on cable-driven parallel robots”. *Chinese Journal of Mechanical Engineering*, **31**(1), p. 1007. PII: 267. **1**
- [6] Picard, E., Caro, S., Plestan, F., and Claveau, F., 2018. “Control Solution for a Cable-Driven Parallel Robot with Highly Variable Payload”. Proceedings of the ASME 2018 International Design Engineering Technical Conferences & Computers and Information in Engineering Conference IDETC/CIE 2018, Quebec city, Canada, August 26–29. **1**
- [7] Blanchet, L., and Merlet, J.-P., 2014. “Interference detection for cable-driven parallel robots (cdprs)”. In 2014 IEEE/ASME International Conference on Advanced Intelligent Mechatronics, pp. 1413–1418. **1**
- [8] Bak, J.-H., Hwang, S. W., Yoon, J., Park, J. H., and Park, J.-O., 2019. “Collision-free path planning of cable-driven parallel robots in cluttered environments”. *Intelligent Service Robotics*, **12**(3), pp. 243–253. PII: 278. **1**
- [9] Merlet, J.-P., 2006. *Parallel robots*, 2nd ed. ed., Vol. 74 of *Solid mechanics and its applications*. Kluwer Academic Publishers. **1**
- [10] Miermeister, P., and Pott, A., 2014. “Design of cable-driven parallel robots with multiple platforms and endless rotating axes”. In *Interdisciplinary applications of kinematics*, A. Kecskemthy and F. Geu Flores, eds., Vol. 26 of *Mechanisms and Machine Science*. Springer, pp. 21–29. **1**
- [11] Nagai, K., Le Nhat, T., Hayashi, Y., and Ito, K., 2011. “Proposal of a redundant drive wire mechanism for producing motions with high acceleration and high precision”. In 2011 IEEE/SICE International Symposium on System Integration, IEEE, pp. 1049–1054. **1**
- [12] Nagai, K., Le, T. N., Hayashi, Y., and Ito, K., 2012. “Kinematical analysis of redundant drive wire mechanisms with velocity constraint”. In 2012 IEEE International Conference on Mechatronics and Automation, IEEE, pp. 1496–1501. **1**
- [13] Khakpour, H., and Birglen, L., 2014. “Workspace augmentation of spatial 3-dof cable parallel robots using differential actuation”. In 2014 IEEE/RSJ International Conference on Intelligent Robots and Systems, IEEE, pp. 3880–3885. **1**
- [14] Khakpour, H., Birglen, L., and Tahan, S.-A., 2014. “Synthesis of differentially driven planar cable parallel manipulators”. *IEEE Transactions on Robotics*, **30**(3), pp. 619–630. **1**
- [15] Khakpour, H., Birglen, L., and Tahan, S.-A., 2015. “Analysis and optimization of a new differentially driven cable parallel robot”. *Journal of Mechanisms and Robotics*, **7**(3). **1**
- [16] Liu, H., Gosselin, C., and Lalibert, T., 2012. “Conceptual design and static analysis of novel planar spring-loaded cable-loop-driven parallel mechanisms”. *Journal of Mechanisms and Robotics*, **4**(2). **1**
- [17] Vikranth Reddy, M., Praneet, N. C., and Ananthasuresh, G. K., 2019. “Planar cable-driven robots with enhanced orientability”. In *Cable-Driven Parallel Robots*, A. Pott and T. Bruckmann, eds., Vol. 74 of *Mechanisms and Machine Science*. Springer International Publishing, pp. 3–12. **1**
- [18] Lessanibahri, S., Cardou, P., and Caro, S., 2018. “Kinestostatic analysis of a simple cable-driven parallel crane”. In Volume 5A: 42nd Mechanisms and Robotics Conference, American Society of Mechanical Engineers. **1**
- [19] Lessanibahri, S., Cardou, P., and Caro, S., 2019. “A cable-driven parallel robot with an embedded tilt-roll wrist”. In Volume 5A: 43rd Mechanisms and Robotics Conference, American Society of Mechanical Engineers. **2**
- [20] Le, T. N., Dobashi, H., and Nagai, K., 2016. “Configuration of redundant drive wire mechanism using double actuator modules”. *ROBOMECH Journal*, **3**(1). PII: 63. **2**
- [21] Lessanibahri, S., Cardou, P., and Caro, S., 2020. “A cable-driven parallel robot with an embedded tilt-roll wrist”. *Journal of Mechanisms and Robotics*, **12**(2). **2**
- [22] Hayes, M., and Langlois, R. G., 2005. “Atlas: A novel kinematic architecture for six dof motion platforms”. *Transactions of the Canadian Society for Mechanical Engineering*, **29**(4), pp. 701–709. **2**
- [23] Platis, A., Rasheed, T., Cardou, P., and Caro, S., 2017. “Isotropic design of the spherical wrist of a cable-driven parallel robot”. In *Advances in robot kinematics*, J. Lenari and J.-P. Merlet, eds., Vol. 4 of *Springer Proceedings in Advanced Robotics*. Springer Berlin Heidelberg, pp. 321–330. **2, 4, 5**
- [24] Ball, R. S., 1900. *A treatise on the theory of screws*, by Sir Robert Stawell Ball. University Press. **5**