



HAL
open science

Structure-specific DNA recombination sites: Design, validation, and machine learning–based refinement

Aleksandra Nivina, Maj Svea Grieb, Céline Loot, David Bikard, Jean Cury, Laila Shehata, Juliana Bernardes, Didier Mazel

► **To cite this version:**

Aleksandra Nivina, Maj Svea Grieb, Céline Loot, David Bikard, Jean Cury, et al.. Structure-specific DNA recombination sites: Design, validation, and machine learning–based refinement. *Science Advances*, 2020, 6 (30), pp.eaay2922. <10.1126/sciadv.aay2922>. <hal-03084479>

HAL Id: hal-03084479

<https://hal.science/hal-03084479v1>

Submitted on 22 Dec 2020

HAL is a multi-disciplinary open access archive for the deposit and dissemination of scientific research documents, whether they are published or not. The documents may come from teaching and research institutions in France or abroad, or from public or private research centers.

L'archive ouverte pluridisciplinaire **HAL**, est destinée au dépôt et à la diffusion de documents scientifiques de niveau recherche, publiés ou non, émanant des établissements d'enseignement et de recherche français ou étrangers, des laboratoires publics ou privés.



Distributed under a Creative Commons CC BY-ND 4.0 - Attribution - No Derivative Works - International License

GENETICS

Structure-specific DNA recombination sites: Design, validation, and machine learning–based refinement

Aleksandra Nivina^{1,2,3}, Maj Svea Grieb^{1,2*}, Céline Loot^{1,2*}, David Bikard^{1,2}, Jean Cury^{1,2,3}, Laila Shehata^{1,2}, Juliana Bernardes^{4†}, Didier Mazel^{1,2†}

Recombination systems are widely used as bioengineering tools, but their sites have to be highly similar to a consensus sequence or to each other. To develop a recombination system free of these constraints, we turned toward *attC* sites from the bacterial integron system: single-stranded DNA hairpins specifically recombined by the integrase. Here, we present an algorithm that generates synthetic *attC* sites with conserved structural features and minimal sequence-level constraints. We demonstrate that all generated sites are functional, their recombination efficiency can reach 60%, and they can be embedded into protein coding sequences. To improve recombination of less efficient sites, we applied large-scale mutagenesis and library enrichment coupled to next-generation sequencing and machine learning. Our results validated the efficiency of this approach and allowed us to refine synthetic *attC* design principles. They can be embedded into virtually any sequence and constitute a unique example of a structure-specific DNA recombination system.

INTRODUCTION

DNA recombination is one of the basic tools used in genetic engineering. However, site-specific recombination systems require the recombination sites to have a consensus sequence that cannot be easily modified or must even be kept constant (1), while homologous recombination systems are based on high sequence similarity between target sites of large size (2). These requirements limit the possibilities of inserting recombination sites into DNA regions that already carry a function, such as protein coding sequences or promoters. The development of a site-specific yet non-sequence-specific recombination system would allow embedding recombination sites into virtually any DNA sequence.

We decided that such a recombination system could be developed on the basis of the bacterial integron platform. Integrons play a major role in the dissemination of antibiotic resistance genes among clinically relevant Gram-negative pathogens (3). The functionality of integrons relies on the activity of the integron integrase (hereafter integrase), a site-specific tyrosine recombinase capable of excising genes from the integron in the form of circular cassettes and reinserting these cassettes into the platform (Fig. 1A). Cassette excision involves the recombination of two adjacent *attC* sites, whereas their insertion mainly occurs through recombination of an *attI* site within the cassette with an *attI* site located in the integron platform (Fig. 1A). While *attI* sites resemble canonical tyrosine recombinase sites and are recombined in the form of double-stranded DNA (4), *attC* sites are atypical: The bottom strand of their DNA folds into a hairpin-like structure, which is then recombined by the integrase as a folded single strand (Fig. 1B) (5, 6). Tyrosine recombinases usually show high sequence specificity toward their substrates (7). The integrase, however, is able to efficiently recombine *attC* sites with highly variable sequences: For instance, class 1 integrase IntI1 recombines equally well *attC_{aadA7}* and

attC_{ereA2}, which have only 58% sequence identity (8) and can site-specifically recombine sedentary chromosomal integron *attC* sites that considerably differ both in size [from 53 to 152 nucleotide (nt)] and in sequence (8, 9). The specificity of the reaction is ensured by the conserved structure of folded *attC* sites (Fig. 1B) (6, 8, 9). Moreover, their recombination can reach frequencies on the order of 10^{-1} (8), making them perfect candidates for the development of a highly efficient structure-specific recombination system.

attC sites appear to have very few sequence-level constraints (Fig. 1B). Their recombination occurs between the A and the C within the consensus sequence 5'-RYYAAC-3' of the integrase binding site named R box (10). There are two unpaired bases within the hairpin stem, called the extrahelical bases (EHBs) and which are typically G and T (9). The rest of the sequence is not conserved: Even the sequence of the second integrase binding site (L box) is degenerate. Instead, loss-of-function approaches have shown that integrase binding and recombination depends on structural features of *attC* sites: the EHBs, the unpaired central spacer (UCS), and the variable terminal structure (VTS) (Fig. 1B) (8, 9, 11).

Here, we designed a structure-specific recombination system based on *attC* sites. We started with an assumption that if all important

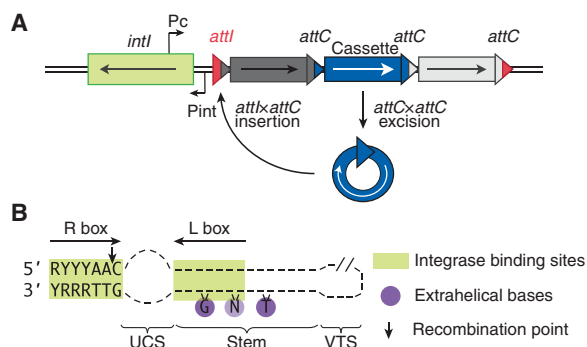


Fig. 1. Integron *attC* recombination sites. (A) Schematic of the integron system. Pint, integrase promoter; *intI*, integrase gene; Pc, cassette promoter; *attI*, cassette insertion site; *attC*, cassette attachment site. (B) Schematic of a folded bottom strand of *attC* recombination site.

¹Unité Plasticité du Génome Bactérien, Institut Pasteur, 75724 Paris, France. ²CNRS UMR 3525, 75724 Paris, France. ³Paris Descartes, Sorbonne Paris Cité, Paris, France. ⁴Laboratoire de Biologie Computationnelle et Quantitative, Sorbonne Universités, CNRS UMR 7238, 75005 Paris, France.

*These authors contributed equally to this work.

†Corresponding author. Email: juliana.silva_bernardes@upmc.fr (J.B.); didier.mazel@pasteur.fr (D.M.)

attC features have been characterized, then any DNA sequence having these features could be recognized and recombined by the integrase. We designed an algorithm that generates synthetic *attC* sites with conserved structural features and minimal constraints on the sequence level and demonstrated that all 14 generated sites are functional, with recombination efficiencies reaching up to 60%. To show the potential of synthetic *attC* sites as bioengineering tools, we embedded them into three peptide linkers and four regions of β -galactosidase and tested their functionality. However, the variability of synthetic *attC* site recombination frequencies suggested that more factors contribute to *attC* site recombination than previously thought. Through a combination of experimental and computational approaches, we uncovered additional features that could not be identified through conventional methods and refined synthetic *attC* site design principles.

RESULTS

Algorithm generating synthetic *attC* sites

In our previous works, we demonstrated the determinant role of the R box and structural features in *attC* site recombination (6, 8, 9, 12, 13). To test whether any DNA sequence having these properties could be recognized and recombined by Int1, we designed an algorithm that generates synthetic *attC* sites with arbitrary sequences constrained to have these features. Since we did not know a priori the extent to which each of the identified constraints was important, we developed two versions of the algorithm.

The first version generated synthetic *attC* sites with constraints based on empirical results (Fig. 2A and table S1). This corresponds to the minimal constraints that we deemed necessary for a functional *attC* site based on our previous studies (6, 8, 9, 12, 13). The second version of the algorithm used more relaxed constraints based on bioinformatic analysis of 263 natural *attC* sites from class 1 mobile integrons in the INTEGRALL database (14) and reflected the variability observed among them (Fig. 2B).

Recombination of synthetic *attC* sites

Both versions of the algorithm were used to generate several synthetic *attC* sites: seven with each version (Fig. 2C). We then synthesized the corresponding DNA sequences, cloned each of them into the pSW23T vector, and transformed into the *Escherichia coli* β 2163 strain that expresses the π protein to maintain this vector (Supplementary Materials and table S2) (15). These strains were then tested using the previously developed suicide recombination protocol that measures the frequency of *attI1* \times *attC* recombination (Fig. 2D and Supplementary Materials) (6). We used the wild-type *attC_{aadA7}* site (16) as a positive control in this assay.

Our results showed that all synthetic *attC* sites generated by the algorithm were functional (Fig. 2E). This confirmed our hypothesis that the constraints used in our algorithm were sufficient to generate *attC* sites that could be recognized and recombined by the Int1 integrase. Moreover, the difference in recombination frequencies of *attC* sites generated by the two versions of the algorithm was not statistically significant (*t* test, $P > 0.4$), suggesting that the imposition of strict constraints was not necessary.

Synthetic *attC* sites embedded into protein linkers

Having freed synthetic *attC* sites from most sequence-related constraints, we decided to test whether the sequence can now be used to encode proteins. To reconcile both protein coding and *attC* structure-related

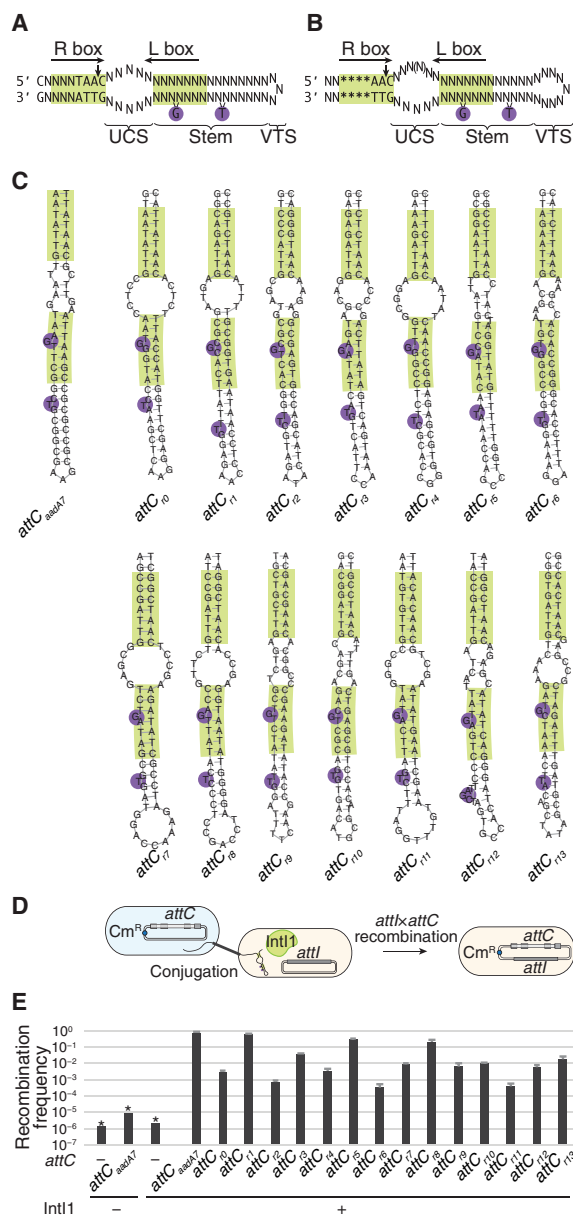


Fig. 2. Synthetic *attC* site recombination. (A and B) Schematic of the bottom strands of *attC* sites with constraints used by the two versions of the algorithm generating synthetic sites: with constraints based on empirical results (A) and with constraints based on bioinformatic analysis of wild-type *attC* sites (B). N, arbitrary base. *Base generated according to the probability distribution of each base in the sequence of the R box in wild-type *attC* sites (table S1). (C) Predicted structures of the paradigmatic *attC_{aadA7}* site and synthetic *attC* sites, with seven sites generated by each version of the algorithm. All structural predictions were performed using ViennaRNA 2.1.8 package. (D) Schematic of the suicide conjugation assay to measure *attC* site recombination frequency. A plasmid carrying an *attC* site is conjugated into a strain that does not have the machinery for its replication. However, the plasmid and the chloramphenicol resistance marker (Cm^R) that it carries can be maintained in the recipient strain through *attI1* \times *attC* recombination. The recombination frequency can be measured as the ratio of chloramphenicol-resistant cells to all recipient cells. (E) Recombination frequencies of an empty vector in the presence or absence of Int1 integrase (negative controls), *attC_{aadA7}* (positive control), and synthetic *attC* sites. Values represent means of three independent experiments; error bars represent mean absolute error. Asterisks (*) indicate that the recombination frequency was below detection level, indicated by the bar height.

constraints within the same DNA fragment, we decided to use in silico directed evolution. Starting with a large set of synthetic *attC* sites, we evolved them to encode a protein sequence with desired properties, here, encoding peptides with sequences similar to those of unstructured linkers from the database (17). We then selected three synthetic sites *attC_{L1-3}* that obtained the best scores (Fig. 3, A to C, and Supplementary Materials). Like other synthetic *attC* sites, they were all functional in recombination, with *attC_{L1}* and *attC_{L3}* sites recombining with more than 10^{-1} frequency (Fig. 3D). To test whether the resulting sequences were also functional as peptide linkers, we used them to fuse two domains of *Bordetella pertussis* adenylate cyclase, used as a bacterial two-hybrid system (18, 19). The cyclic adenosine monophosphate (AMP) production by the enzyme requires a close interaction between both domains and can be measured by an enzyme-linked immunosorbent assay (ELISA)-based assay (Supplementary Materials). The linker-like sequence of the protease processing site p5 from the HIV was used as a positive control (19), and the same sequence with a frameshift was used as a negative control. All three peptide-encoding synthetic *attC* sites were able to act as peptide linkers, reconstituting a fully functional enzyme (Fig. 3E).

In a similar manner, synthetic *attC* sites can be embedded into virtually any desired protein sequence with minimal changes to its amino acid sequence. The redundancy of the genetic code allows enough flexibility that modifications to the DNA sequence that introduce *attC* site properties on the structural level do not necessarily cause changes to the encoded protein. Allowing a slightly variable VTS size between 3 and 21 nt [for reference, VTS varies between 3 and 100 nt in natural class 1 *attC* sites (20)] allows additional flexibility when finding a sequence that accommodates both constraints. As an example, we generated four synthetic *attC* sites embedded into different locations of the *lacZ* gene that encodes β -galactosidase. In each case, the best-scoring *attC* sites introduced only three to five amino acid changes, some of which preserve the main physicochemical properties (Fig. 3, F to H, and Supplementary Materials). In comparison, in-frame substitution of *lacZ* region 1 by the natural *attC_{aadA7}* site leads to 19 amino acid changes over 21 positions (Fig. 3G). However, even small changes in the amino acid sequence of an enzyme can affect its functionality. By streaking *E. coli* strains expressing *lacZ* variants, we observed that two of four synthetic *attC* sites embedded into *lacZ* preserved the β -galactosidase's ability to produce a blue pigment upon the addition of X-galactosidase (X-gal) (Fig. 3H), confirming that they can be successfully embedded into proteins.

For synthetic *attC* sites to become a truly useful tool, their recombination frequencies have to reach at least the order of 10^{-4} , frequency comparable to the commonly used Lambda Red system (21), and preferably even higher. Regardless of the algorithm version used, we observed a high variability in recombination frequencies among synthetic *attC* sites: Similarly to wild-type *attC* sites (8), their values varied over several orders of magnitude (Figs. 2E and 3D and fig. S1). This result underlined our incomplete knowledge of the constraints required for generating efficiently recombining synthetic *attC* sites. We therefore decided to undertake a large-scale mutagenesis study of a synthetic *attC* site to deduce additional relationships between *attC* site structure and functionality, which would allow us to improve the efficiency of synthetic sites.

Large-scale mutagenesis of a synthetic *attC* site

We selected *attC_{r0}* for our mutational analysis: a synthetic *attC* site with a recombination frequency in the lower range. We decided to

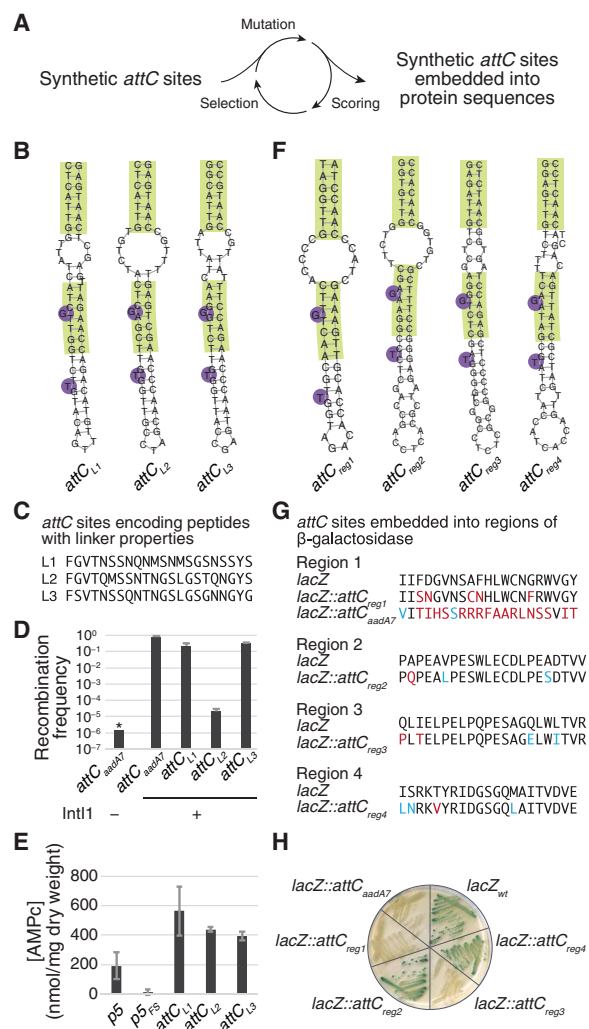


Fig. 3. Synthetic *attC* sites embedded into protein coding regions. (A) In silico directed evolution approach that was used to generate synthetic *attC* sites with peptide linker properties (B-E) and to embed synthetic *attC* sites into *lacZ* (F-H). (B) Structures of the three synthetic *attC* sites encoding peptide linkers L1, L2, and L3, predicted using ViennaRNA 2.1.8. (C) Protein sequences of encoded peptide linkers. (D) Recombination frequencies of *attC_{aadA7}* (positive control) and synthetic *attC* sites encoding peptide linkers. Values represent means of three independent experiments; error bars represent mean absolute error. Asterisk (*) indicates that the recombination frequency was below detection level, indicated by the bar height. (E) Results of a bacterial two-hybrid assay with the two domains of *Bordetella pertussis* adenylate cyclase fused either with a natural linker (p5, positive control), a natural linker with a frameshift mutation (p5_{FS}, negative control), or synthetic *attC* sites encoding peptide linkers. Values represent means of three independent experiments; error bars represent mean absolute error. (F) Predicted structures of the synthetic *attC* sites embedded into four regions of the *lacZ* gene encoding β -galactosidase, predicted using ViennaRNA 2.1.8. (G) Protein sequences of the four β -galactosidase target regions and sequences after *attC* site embedding. Blue, mutations that preserve the amino acid physicochemical properties; red, other non-silent mutations. (H) Strains with the four synthetic *attC* sites embedded into *lacZ* and streaked on an LB agarose plate with X-gal and isopropyl- β -D-thiogalactopyranoside. Blue color indicates a functional β -galactosidase, as in *lacZ_{wt}*. White color indicates that an embedded *attC* site perturbed the function of the β -galactosidase, as in *lacZ::attC_{aadA7}*.

construct a library consisting of all sequences with a single mutation within the constant region of the *attC_{r0}* site, as well as sequences containing all possible combinations of two mutations (Fig. 4A, blue region). This region covered the entire sequence that could be recovered, since upon recombination, the 5' extremity of an *attC* site (upstream of the recombination point) is exchanged with a partner site. Using a custom-designed degenerate oligonucleotide *attC_{r0}*_library (table S2), we cloned a library of 162 single and 12,879 pairwise mutants within the constant region of *attC_{r0}* into the pSW23T vectors and transformed it into the β 2163 strain.

To assess the recombination efficiency of each mutant within the library, we performed an assay based on the suicide conjugation protocol (6, 22), where all the variants were present in a pool (Supplementary Materials and fig. S2). In this assay, we expected the more recombinogenic sites to be enriched in the final pool compared to less efficient *attC* sites. To validate our experimental design, we performed several cycles of this competition assay and measured the overall recombination frequency of the library throughout these cycles

(Fig. 4B). The recombination frequency of the library increased over two orders of magnitude, reaching a plateau at 6×10^{-1} after the second enrichment cycle. This indicated that the library first got enriched and then saturated in highly reactive *attC_{r0}* mutants, according to the design of our competition assay.

We then computed the enrichment of each site by comparing its relative abundance in the library before and after the assay, as measured by next-generation sequencing (NGS) (fig. S3). To justify the use of the enrichment value as a proxy for recombination frequency, we tested the recombination of six double mutants using the suicidal conjugation assay and confirmed that the enrichment values were indeed highly correlated with the recombination frequencies (Pearson $r = 0.92$, $P < 0.01$; fig. S4).

The enrichment values varied over six orders of magnitude between the most enriched and the most depleted mutants (Fig. 4C). The heat map of double mutant enrichment values showed some regions corresponding to mutants with highly increased recombination frequencies (bright red) and others corresponding to those where recombination was impaired (deep blue), but the pattern did not provide a straightforward answer as to which *attC* site mutations were responsible for better recombination and why (Fig. 4C).

Machine learning predictions of *attC* site recombination

To analyze the results corresponding to 162 single and 12,879 double *attC_{r0}* mutants, we decided to use a machine learning (ML) approach. Our objective was twofold: to test whether a regression algorithm (23) could predict the recombination frequencies of *attC* sites based on their sequence and structure and, if so, to deduce the properties on which these predictions are based.

A regression algorithm is a supervised ML technique for estimating an unknown continuous function based on a finite number of data points. Here, a data point is an *attC_{r0}* mutant, the input is the set of sequence- and structure-related features, and the output is the enrichment value. Once the model is learnt from the training dataset, it can be tested on the unseen data (test dataset) to predict the output, and its performance can be evaluated.

To use regression algorithms, we first needed to define a number of features to describe each *attC_{r0}* mutant. Since the integrase recognizes the structure of the bottom strand of *attC* sites (6), we based our features on the predicted folding of the bottom strand of each mutant using the RNAfold program from the ViennaRNA 2.1.8 package (Supplementary Materials) (24). Our list included several global features describing *attC* site folding, such as Gibbs free energy (ΔG) of the structures, the probability to fold a functional structure (pfold), i.e., a structure with correctly folded integrase binding sites (25, 26), and others. It also included a set of characteristics for each particular base, such as the nucleotide present at that position, its pairing probability, and positional entropy. The positional entropy of a base reflects how unstable it is: Low positional entropy means that the base is stabilized in only one major state (either paired with a particular base or unpaired), whereas high positional entropy means that the base can be found in various states within the thermodynamic ensemble of possible structures.

As a second step, we prepared the data for ML by discarding features with zero variance, normalizing feature and enrichment values, and equilibrating our dataset to contain an equal number of enriched and depleted mutants (Supplementary Materials). Last, we used four different regression algorithms: decision tree regression (27), ridge regression (28), support vector regression (29), and random forest regression

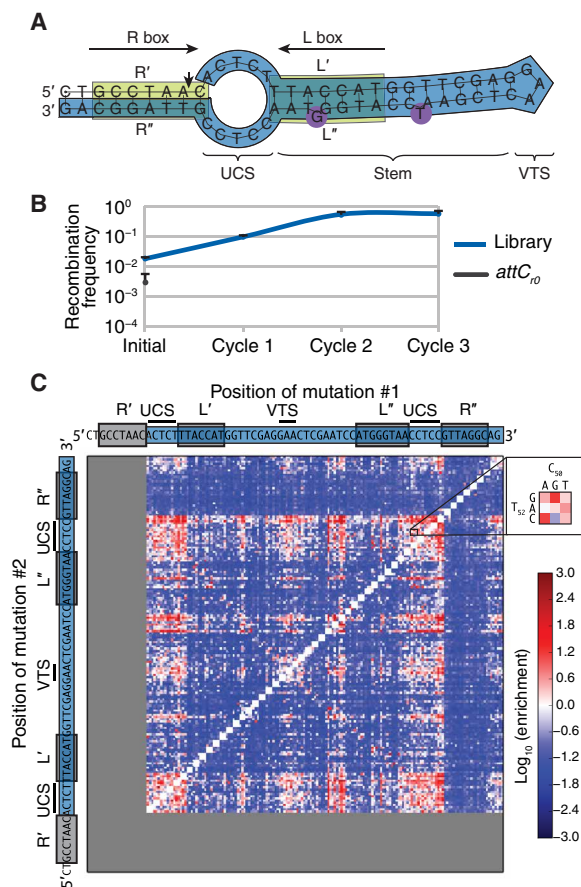


Fig. 4. Enrichment of *attC_{r0}* mutant library in sites with higher recombination frequencies. (A) Schematic of the folded bottom strand of *attC_{r0}* used for library construction. The region submitted to mutational analysis is shown in blue. (B) Recombination frequencies of the library throughout cycles of recombination (blue). The recombination frequency of *attC_{r0}* is used for comparison (black). Values represent means of three independent experiments; error bars represent mean absolute error. (C) Heat map of enrichment values for all pairwise *attC_{r0}* mutants. At the intersection of nucleotides depicted along each axis, a series of points represent enrichment values corresponding to all pairwise mutants of these nucleotides. Inset: Example for all pairwise mutants of C₅₀ and T₅₂.

(30), available in the Python scikit-learn library (31). To evaluate their performance, we ran every algorithm 50 times, each time splitting the data points into training and test datasets and performing fivefold cross-validation. Among the four algorithms, random forest regression showed the best performance, attaining a Pearson $r = 0.81$ (Fig. 5, A and B, and table S3, A and B).

It is known that feature selection, a common procedure in ML, can provide better interpretability, avoid overfitting, and simplify the algorithm through dimensionality reduction. Random forest regression performs its own feature selection, but other three algorithms could potentially benefit from a preliminary feature selection step. We tested two feature selection methods and one dimensionality reduction method [k best features (32), manual feature selection strategy, and principal component analysis (33); Supplementary Materials] on the three algorithms. However, they did not achieve results comparable to those obtained by random forest regression (table S3B). This confirmed that the recombination frequency of *attC* sites is a multifactorial function that depends on a wide array of properties.

On the example of this library of synthetic *attC* site mutants, we have demonstrated that it is possible to predict with high accuracy the recombination frequency of *attC* sites (through the proxy for the enrichment value) based on their structure.

Biological interpretation of ML results

Since the ML algorithm performed well in cross-validation tests on the dataset of *attC*_{r0} mutants, we concluded that it did not overfit

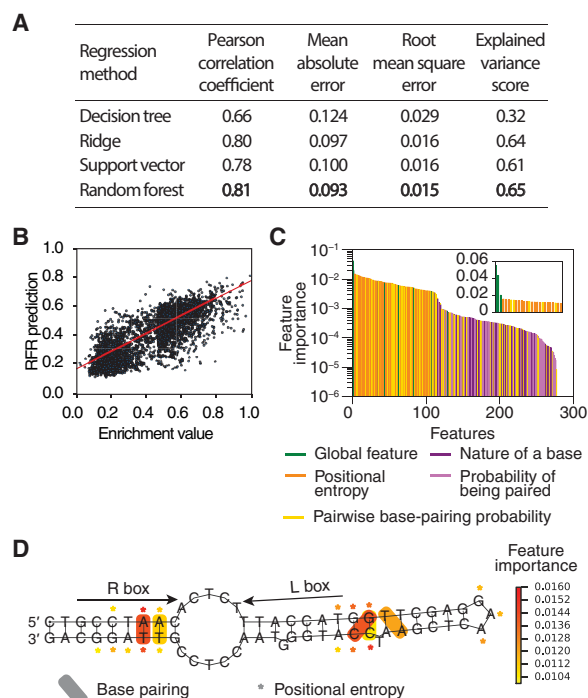


Fig. 5. Analysis of ML results. (A) Performance of four different ML algorithms in regression, measured as described in Supplementary Materials. (B) Correlation between the measured and the predicted enrichment values given by the random forest regression (RFR) algorithm for *attC*_{r0} site mutants from the library test dataset (Pearson $r = 0.81$, $P < 0.01$). (C) Features used by RFR, ranked according to their importance measure. Inset: Most important features (score > 0.01). (D) Mapping of the most important nonglobal features (score > 0.01) onto the predicted structure of *attC*_{r0}.

the data but instead “learned” the relationship between the features of *attC* sites and their recombination frequencies. We tried to deduce these relationships by analyzing features that were most relevant for the prediction. None of the feature selection methods succeeded in identifying a set of features sufficient to construct a good predictive model, suggesting that most of the features were meaningful. However, random forest regression algorithm allows ranking features according to their relevance to the model, using the feature importance measure that assigns higher scores to the most important features (table S3C).

Three global features had the highest importance scores: the ΔG of the thermodynamic ensemble of folded molecules, the ΔG of the minimal free energy structure (see Supplementary Materials), and the number of hydrogen bonds (Fig. 5C and inset, in green). However, these features alone did not account for the high correlation score achieved by the algorithm.

They were closely followed by features corresponding to positional entropies and base-pairing probabilities (orange and yellow) and a long tail of other features (purple) with gradually decreasing importance (Fig. 5C). We observed that features ranked as most important ones (importance score > 0.01; inset of Fig. 5C) were clustered in two regions of the folded *attC* site structure: one in the R box and another just outside of the L box, around the second EHB (Fig. 5D). The importance of the R box was previously shown experimentally (12, 13). However, the location of the second region was unexpected: It lay outside integrase binding sites, and none of the previous studies attributed any particular role to this part of the hairpin stem.

To understand how its structure influenced recombination, we analyzed the correlation of the most important features within this region with the enrichment values. First, we focused on positional entropies of bases within the apical stem. All positional entropies identified as important features for ML correlated negatively with the enrichment values, suggesting that a stable stem is more favorable for recombination (Fig. 5D, Supplementary Materials, and fig. S5). In addition, the stem should include the two EHBs located at the 6–base pair (bp) distance that is important for wild-type site recombination by IntI1 (34).

Second, we looked at base-pairing features. We observed that recombination was improved in *attC*_{r0} mutants where mutations caused changes in the structure that shifted both EHBs by one position toward the apex of the stem (Supplementary Materials and fig. S5). On the basis of these observations, we hypothesized that two design strategies could increase *attC* site recombination. Hypothesis 1: The positional entropies of bases in the apical stem should be reduced to stabilize the hairpin structure, maintaining a 6-bp distance between the EHBs. Hypothesis 2: In addition, the positions of both EHBs should be shifted by one position toward the apex of the hairpin relative to the initial design, respectively, 9 and 16 nucleotides away from the R box.

Generalization of synthetic *attC* site design principles

We decided to test these hypotheses on three synthetic *attC* sites that showed the lowest recombination frequencies (below 10⁻³): *attC*_{r2}, *attC*_{r6}, and *attC*_{r11} (Fig. 2E). For each site, we constructed two mutants: one only stabilizing the apical stem and the other also shifting the EHBs by one position (Fig. 6, A to C).

In *attC*_{r2}, the apical stem was already relatively stable, and its further stabilization did not increase the recombination frequency

but instead slightly lowered it (Fig. 6, A and B). However, when both EHBs were shifted toward the apex, the recombination frequency increased threefold (Fig. 6, A and B), which was not the case for single EHB shifts (fig. S6, A and B). Thus, best results were achieved through combination of the two design strategies.

In *attC*_{r6}, the initial distance between the two EHBs varied between 4 and 7 bp, and the entropies of surrounding regions were relatively high (Fig. 6C). The stabilization of the stem increased the recombination frequency 12-fold, while concomitant shift of the two EHBs only led to a twofold increase (Fig. 6D). For *attC*_{r6}, the first design strategy was very successful, while the second did not bring any additional benefit.

In *attC*_{r11}, the positional entropy of the entire apical stem was quite high (Fig. 6E). The stabilization of the stem in any of the two conformations with a 6 bp distance between the EHBs increased the recombination threefold (Fig. 6F). Again, the 6-bp distance between the EHBs was crucial since mutants that did not maintain it did not perform as well (fig. S6, C and D). As for *attC*_{r6}, the first design strategy was successful for *attC*_{r11}, while the additional strategy did not further improve the results.

Among the two hypotheses based on the analysis of *attC*_{r0} site mutants, the first was corroborated on three other synthetic sites and consistently led to higher recombination frequencies, while the second was only confirmed for one other *attC* site. This validates our approach in using feature importance to construct biologically relevant hypotheses and shows the potential of using it to interpret ML results in a broader context.

DISCUSSION

Synthetic *attC* sites as a bioengineering tool

In this work, we designed an algorithm that can generate any number of synthetic *attC* sites with very few constraints in their sequences and showed that they can be embedded into protein coding sequences in a way that preserves the protein's function. The development of such a site-specific yet non-sequence-specific recombination system allows the encryption of recombination sites into any chosen DNA sequence.

The recombination assay results have shown that all generated sites are functional, although their recombination frequencies vary over several orders of magnitude. Despite the initial variability, we could substantially improve the recombination of the least efficient sites up to frequencies above 10^{-3} through a small (four to eight) number of mutations (Fig. 6). This validated our bottom-up approach as complementary to the previous mutational studies, as it allowed us to identify complex features that were impossible to uncover through direct loss-of-function approaches.

Our large-scale mutational analysis suggests that a more efficient version of a synthetic *attC* site can lie only one or two mutations away and that multiple solutions to this optimization problem are available. Moreover, the use of consecutive enrichment cycles (Fig. 4B) allows us to easily select these highly efficient mutants without the need for costly NGS or time-consuming data analysis. This holds the potential of further improving the recombination frequency of any synthetic *attC* site above 10^{-1} for the use in a highly efficient structure-specific recombination system.

As shown here, synthetic *attC* sites can be embedded within a DNA sequence that already carries a function (e.g., encodes a protein) at the cost of only three to five amino acid changes, which often

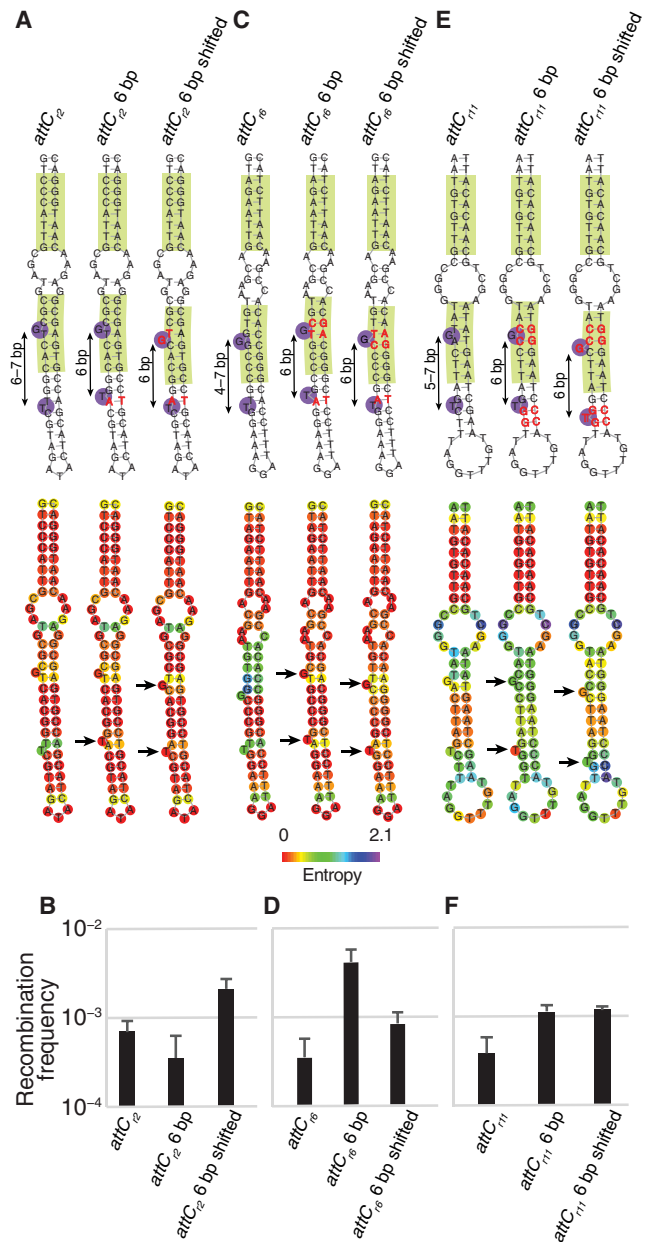


Fig. 6. Confirmation of ML-derived hypotheses for three synthetic *attC* sites.

Structural predictions, positional entropies of bases, and recombination frequencies of initial and mutated sites *attC*_{r2} (A and B), *attC*_{r6} (C and D), and *attC*_{r11} (E and F). Mutations are shown in red. Arrows indicate EHBs that were stabilized in low entropy state through mutations. All structural predictions were performed using ViennaRNA 2.1.8 package. Recombination values represent means of three independent experiments; error bars represent mean absolute error.

preserve the physicochemical properties (Fig. 3G). While this number of mutations is very low, in some cases, they can be sufficient to disrupt an enzyme's functionality (Fig. 3H), especially if they are introduced at or near its catalytic site. Because our algorithm allows introducing an *attC* into virtually any protein sequence, regions that are less sensitive to mutations, such as peptide linkers, would be better candidates for embedding *attC* sites. In addition, when the algorithm is run several times, it typically converges to slightly different

solutions, meaning that several options for embedding an *attC* site into a protein sequence exist. Depending on the particular application, additional considerations can be taken into account when choosing the best design, such as avoiding key residues if they are known.

The use of synthetic *attC* sites would be of particular interest for generating large-scale libraries of multidomain or multimodular proteins, such as polyketide synthases (PKSs) or nonribosomal peptide synthetases (NRPSs). PKSs and NRPSs are multimodular enzymatic assembly lines that produce a vast diversity of natural products. Combinatorial engineering of these enzymes through module exchange is a highly appealing strategy to access new chemical compounds (35, 36). The possibility of embedding synthetic *attC* sites into PKS and NRPS genes opens possibilities for combinatorial shuffling of their modules: Once synthetic *attC* sites are embedded into homologous regions of several modules, integrase-mediated recombination would allow us to excise, insert, and shuffle their modules *in vivo*. We have previously shown that the integron's gene shuffling activity can be efficiently used to improve biosynthetic pathways *in vivo* (37). By embedding *attC* sites into protein sequences, this engineering approach could be extended to multimodular biosynthetic gene clusters.

This tool could be used in various Gram-negative bacteria, where mobile class 1 integrons are widespread. Integron recombination relies on the integrase for the initial strand exchange that leads to an atypical Holliday junction (aHJ) structure, which is then resolved through replication (38). Since the exact proteins involved in replicative resolution are not known, it is difficult to predict whether it would be applicable in a broader host range. For instance, in eukaryotic cells the aHJ intermediate might be recognized as sign of damage and repaired before replication can resolve it (39).

***attC* site recombination is a multifactorial function**

Our previous studies have already suggested that *attC* site recombination frequency depends on numerous properties related to their sequence, structure, and stability (6, 8, 9, 11, 12, 25, 26, 40, 41). Most of these factors apply to both *attI*×*attC* and *attC*×*attC* recombination reactions. In addition, recombination frequency between two *attC* sites depends on folding properties of both sites, the distance between them, and their orientation relative to the replication fork (26). To evaluate synthetic *attC* sites in a context that does not depend on the partner *attC* site, in this work, we used *attI*×*attC* recombination assays. Our results confirmed that even in this reaction, recombination frequency is a multifactorial function: Most features contributed to the predictive power of the random forest regression (Fig. 5C), and the use of fewer features led to poorer results (table S3, A and B).

attC site properties that we identified here as beneficial for recombination constitute an addition to those previously identified. To understand the extent to which these new findings are important, they must be put into context of previous discoveries. Since the suicide recombination assay is a reference method for assessing *attC* site recombination (6), we were able to compare the importance of different structure- or sequence-related properties on the order-of-magnitude scale, among several studies.

On one hand, we have observed large changes in recombination frequency (one to three orders of magnitude) upon modification of essential *attC* site elements: the 5'-AAC-3' triplet of the R box (12), the stem (6, 42), the EHBs (8, 9), and the overall recombinogenic folding (25). On the other hand, we have identified features of *attC* sites that are highly conserved and play an important role in recom-

ination, and yet, their disruption does not produce more than two-fold differences in recombination: the high GC content in the apical part of the stem (40), the nucleotide skew within the unpaired regions (8), and the overall propensity to form a straight hairpin (41). The present study identified *attC* site mutations that are responsible for substantial (up to 12-fold) changes in recombination frequency, which places the uncovered properties among the most important ones.

These properties have not been previously identified through classical loss-of-function approaches (6, 8, 9, 11–13, 22, 25, 34). A direct analysis of EHB positional entropies in synthetic *attC* sites would not have revealed their role on recombination either since their values are not correlated with recombination (fig. S7). This lack of correlation is probably due to other properties having more dominant effects on recombination, which underscores the difficulty of analyzing the contribution of each individual factor in a multifactorial function and the advantage of the methodology described here.

Overall, the large-scale mutational analysis coupled to NGS and ML approaches allowed us to uncover several important properties of *attC* sites. Using these results, we attained recombination frequencies above 10^{-3} for each of the 14 designed *attC* site or its mutant, proving that synthetic *attC* sites with very few constraints in their sequences can indeed be efficiently recombined by the IntI1 integrase.

ML analysis of large-scale mutational datasets

ML is recognized as one of the most efficient methods for analyzing complex problems (43) and is rapidly gaining importance in bioinformatics (44). Since *attC* site recombination is a multifactorial problem, the use of ML was a compelling strategy to construct a predictive model of this biological function.

Here, ML allowed us to achieve both of our objectives: We constructed a predictive model of *attC* site recombination frequency and were able to draw biological conclusions from this analysis. However, this approach also has its limitations: The interpretation of ML performance is known to be nonstraightforward, and its generalization is not always possible. To overcome this limitation, we performed feature importance analysis to make hypotheses that were then experimentally tested. Contrary to the purely hypothesis-driven research largely used in genetics in the previous decades, the data-driven approach is particularly well suited to complex multifactorial problems. We propose that the method described here could be used to study other complex genetic systems such as recombination sites or functional DNA and RNA structures. While *attC* sites are exceptional in terms of their structure-based recognition, the general pipeline consisting of mutational analysis followed by selection, NGS, ML, and feature importance evaluation could also be applied to more conventional genetic elements recognized on the basis of their sequence. In these cases, an exhaustive mutational analysis of a smaller region would be more suitable than a pairwise mutational screening described here. Overall, it is a relatively low-cost, versatile, and not labor-intensive approach that can yield a vast amount of data and allow its in-depth analysis.

MATERIALS AND METHODS

Bacterial strains and media

Detailed information on bacterial strains, media, and antibiotic concentrations used in this study can be found in the Supplementary Materials.

Plasmids

Synthetic *attC* sites and their mutants were constructed by annealing two overlapping phosphorylated oligonucleotides (table S2), fully complementary except for the overhangs corresponding to either Eco RI and Bam HI restriction sites for testing recombination or Dpn I and Kpn I restriction sites for testing linker properties or by polymerase chain reaction (PCR) amplification of the vector plasmid for constructing sites embedded into *lacZ*. In the first case, the sites were then ligated into p9276, a derivative of the pSW23T vector (15) in the direction allowing the delivery of their bottom strands, previously digested with Eco RI/Bam HI. The resulting plasmids were then transformed into the β 2163 strain (table S2B) (15). In the second case, the sites were then ligated into p9983, pKAC::p5 vector (18) previously digested with Dpn I/Kpn I. The resulting plasmids were then transformed into the adenylate cyclase deficient strain DHM1 (table S2B) (45). In the third case, the sites were assembled into p1370, a derivative of the pSU vector (42). It expresses *lacZ* from a pLac promoter and was amplified by PCR with corresponding primers. The resulting plasmids were then transformed into β -galactosidase deficient strain MG1656 (46) for *lacZ* expression tests and into DH5 α strain for the recombination assay (table S2B).

Library construction and competition assay

A custom oligonucleotide attC_{r0} library was PCR-amplified with primers Gibson1 and Gibson2. The pSW23T vector p4383 was PCR-amplified with primers Gibson3 and Gibson4. The two products were then purified, joint together through Gibson assembly (47), and transformed into the β 2163 strain (15). All oligonucleotide sequences are provided in table S2. A detailed protocol of the competition assay is provided in Supplementary Materials and fig. S2. To measure the enrichment value of each mutant, we performed NGS of the library before and after the recombination assay using the Ion Proton technology.

ML algorithms and performance measures

All algorithms are available in the sklearn library (31). For the ridge regression algorithm (from the “linear_model” package), the alpha parameter that controls the regularization strength was set to 1.0, while other parameters were kept at default values. The support vector regression algorithm (“SVR” from the “SVM” package) was trained using regression mode with radial basis function kernel, with other parameters kept at default values. For the decision tree regressor algorithm (from the “tree” package), all parameters were kept at default values. For the random forest regressor algorithm (from the “ensemble” package), the parameter max_depth (the maximum depth of the tree) was set to 30, and the parameter max_features (the maximum number of features to be considered when looking for the best split) was set to 10. All other parameters were kept at default values, and a total of 1000 trees were constructed. The exact formulas for the evaluation of regression model performance are available in Supplementary Materials.

Random forest regression feature importance measures

To compute how much each feature contributed to the dataset separation, we computed its importance score in each decision tree and averaged it across all trees in the forest using the “feature_importances_” attribute of the sklearn library and across the 50 runs of the algorithm. The importance score of each feature is a numeric value in the interval [0, 1], and the sum of all scores is equal to 1.

SUPPLEMENTARY MATERIALS

Supplementary material for this article is available at <http://advances.sciencemag.org/cgi/content/full/6/30/eaay2922/DC1>

[View/request a protocol for this paper from Bio-protocol.](#)

REFERENCES AND NOTES

1. F. J. Olorunniji, S. J. Rosser, W. M. Stark, Site-specific recombinases: Molecular machines for the genetic revolution. *Biochem. J.* **473**, 673–684 (2016).
2. S. K. Sharan, L. C. Thomason, S. G. Kuznetsov, D. L. Court, Recombineering: A homologous recombination-based method of genetic engineering. *Nat. Protoc.* **4**, 206–223 (2009).
3. J. A. Escudero, C. Loot, A. Nivina, D. Mazel, The integron: Adaptation on demand. *Microbiol. Spectr.* **3**, MDNA3–0019–2014 (2015).
4. J. A. Escudero, C. Loot, V. Parissi, A. Nivina, C. Bouchier, D. Mazel, Unmasking the ancestral activity of integron integrases reveals a smooth evolutionary transition during functional innovation. *Nat. Commun.* **6**, 10937 (2016).
5. M. V. Francia, J. C. Zabala, F. de la Cruz, J. M. García Lobo, The Int1 integron integrase preferentially binds single-stranded DNA of the attC site. *J. Bacteriol.* **181**, 6844–6849 (1999).
6. M. Bouvier, G. Demarre, D. Mazel, Integron cassette insertion: A recombination process involving a folded single strand substrate. *EMBO J.* **24**, 4356–4367 (2005).
7. N. D. F. Grindley, K. L. Whiteson, P. A. Rice, Mechanisms of site-specific recombination. *Annu. Rev. Biochem.* **75**, 567–605 (2006).
8. A. Nivina, J. A. Escudero, C. Vit, D. Mazel, C. Loot, Efficiency of integron cassette insertion in correct orientation is ensured by the interplay of the three unpaired features of attC recombination sites. *Nucleic Acids Res.* **44**, 7792–7803 (2016).
9. M. Bouvier, M. Ducos-Galand, C. Loot, D. Bikard, D. Mazel, Structural features of single-stranded integron cassette attC sites and their role in strand selection. *PLoS Genet.* **5**, e1000632 (2009).
10. R. M. Hall, D. E. Brookes, H. W. Stokes, Site-specific insertion of genes into integrons: Role of the 59-base element and determination of the recombination cross-over point. *Mol. Microbiol.* **5**, 1941–1959 (1991).
11. C. Johansson, M. Kamali-Moghaddam, L. Sundström, Integron integrase binds to bulged hairpin DNA. *Nucleic Acids Res.* **32**, 4033–4043 (2004).
12. C. Frumerie, M. Ducos-Galand, D. N. Gopaul, D. Mazel, The relaxed requirements of the integron cleavage site allow predictable changes in integron target specificity. *Nucleic Acids Res.* **38**, 559–569 (2010).
13. D. MacDonald, G. Demarre, M. Bouvier, D. Mazel, D. N. Gopaul, Structural basis for broad DNA-specificity in integron recombination. *Nature* **440**, 1157–1162 (2006).
14. A. Moura, M. Soares, C. Pereira, N. Leitão, I. Henriques, A. Correia, INTEGRALL: A database and search engine for integrons, integrases and gene cassettes. *Bioinformatics* **25**, 1096–1098 (2009).
15. G. Demarre, A.-M. Guerout, C. Matsumoto-Mashimo, D. A. Rowe-Magnus, P. Marliere, D. Mazel, A new family of mobilizable suicide plasmids based on broad host range R388 plasmid (IncW) and RP4 plasmid (IncP α) conjugative machineries and their cognate *Escherichia coli* host strains. *Res. Microbiol.* **156**, 245–255 (2005).
16. D. Mazel, B. Dychinco, V. A. Webb, J. Davies, Antibiotic resistance in the ECOR collection: Integrons and identification of a novel *aad* gene. *Antimicrob. Agents Chemother.* **44**, 1568–1574 (2000).
17. R. A. George, J. Heringa, An analysis of protein domain linkers: Their classification and role in protein folding. *Protein Eng.* **15**, 871–879 (2002).
18. G. Karimova, J. Pidoux, A. Ullmann, D. Ladant, A bacterial two-hybrid system based on a reconstituted signal transduction pathway. *Proc. Natl. Acad. Sci. U.S.A.* **95**, 5752–5756 (1998).
19. N. Dautin, G. Karimova, A. Ullmann, D. Ladant, Sensitive genetic screen for protease activity based on a cyclic AMP signaling cascade in *Escherichia coli*. *J. Bacteriol.* **182**, 7060–7066 (2000).
20. J. Cury, T. Jové, M. Touchon, B. Néron, E. P. Rocha, Identification and analysis of integrons and cassette arrays in bacterial genomes. *Nucleic Acids Res.* **44**, 4539–4550 (2016).
21. D. Yu, H. M. Ellis, E.-C. Lee, N. A. Jenkins, N. G. Copeland, D. L. Court, An efficient recombination system for chromosome engineering in *Escherichia coli*. *Proc. Natl. Acad. Sci. U.S.A.* **97**, 5978–5983 (2000).
22. G. Demarre, C. Frumerie, D. N. Gopaul, D. Mazel, Identification of key structural determinants of the Int1 integron integrase that influence attC \times attI1 recombination efficiency. *Nucleic Acids Res.* **35**, 6475–6489 (2007).
23. C. M. Bishop, Pattern recognition. *Mach. Learn.* **128**, 1–58 (2006).
24. R. Lorenz, S. H. Bernhart, C. H. z. Siederdisen, H. Tafer, C. Flamm, P. F. Stadler, I. L. Hofacker, ViennaRNA package 2.0. *Algorithms Mol. Biol.* **6**, 26 (2011).
25. C. Loot, D. Bikard, A. Rachlin, D. Mazel, Cellular pathways controlling integron cassette site folding. *EMBO J.* **29**, 2623–2634 (2010).

26. C. Loot, A. Nivina, J. Cury, J. A. Escudero, M. Ducos-Galand, D. Bikard, E. P. Rocha, D. Mazel, Differences in integron cassette excision dynamics shape a trade-off between evolvability and genetic capacitance. *MBio* **8**, e02296-16 (2017).
27. R. J. Lewis, An introduction to classification and regression tree (CART) analysis, in *Annual Meeting of the Society for Academic Emergency Medicine*, (San Francisco, CA, 2000), pp. 1–14.
28. A. E. Hoerl, R. W. Kennard, Ridge regression: Biased estimation for nonorthogonal problems. *Technometrics* **12**, 55–67 (1970).
29. V. Vapnik, *Statistical Learning Theory* (Wiley, 1998).
30. L. Breiman, Random forests. *Mach. Learn.* **45**, 5–32 (2001).
31. F. Pedregosa, G. Varoquaux, A. Gramfort, V. Michel, B. Thirion, O. Grisel, M. Blondel, P. Prettenhofer, R. Weiss, V. Dubourg, J. Vanderplas, A. Passos, D. Cournapeau, M. Brucher, M. Perrot, É. Duchesnay, Scikit-learn: Machine learning in Python. *J. Mach. Learn. Res.* **12**, 2825–2830 (2011).
32. Y. Saeyns, I. Inza, P. Larrañaga, A review of feature selection techniques in bioinformatics. *Bioinformatics* **23**, 2507–2517 (2007).
33. I. Jolliffe, *Principal Component Analysis* (Wiley Online Library, 2002).
34. A. Larouche, P. H. Roy, Effect of *attC* structure on cassette excision by integron integrases. *Mob. DNA* **2**, 3 (2011).
35. H. G. Menzella, R. Reid, J. R. Carney, S. S. Chandran, S. J. Reisinger, K. G. Patel, D. A. Hopwood, D. V. Santi, Combinatorial polyketide biosynthesis by de novo design and rearrangement of modular polyketide synthase genes. *Nat. Biotechnol.* **23**, 1171–1176 (2005).
36. K. A. J. Bozhüyüük, F. Fleischhacker, A. Linck, F. Wesche, A. Tietze, C. P. Niesert, H. B. Bode, De novo design and engineering of non-ribosomal peptide synthetases. *Nat. Chem.* **10**, 275–281 (2018).
37. D. Bikard, S. Julié-Galau, G. Cambray, D. Mazel, The synthetic integron: An in vivo genetic shuffling device. *Nucleic Acids Res.* **38**, e153 (2010).
38. C. Loot, M. Ducos-Galand, J. A. Escudero, M. Bouvier, D. Mazel, Replicative resolution of integron cassette insertion. *Nucleic Acids Res.* **40**, 8361–8370 (2012).
39. J. Matos, S. C. West, Holliday junction resolution: Regulation in space and time. *DNA Repair* **19**, 176–181 (2014).
40. M. S. Grieb, A. Nivina, B. L. Cheeseman, A. Hartmann, D. Mazel, M. Schlierf, Dynamic stepwise opening of integron *attC* DNA hairpins by SSB prevents toxicity and ensures functionality. *Nucleic Acids Res.* **45**, 10555–10563 (2017).
41. A. Mukhortava, M. Pöge, M. S. Grieb, A. Nivina, C. Loot, D. Mazel, M. Schlierf, Structural heterogeneity of *attC* integron recombination sites revealed by optical tweezers. *Nucleic Acids Res.* **47**, 1861–1870 (2019).
42. L. Biskri, M. Bouvier, A.-M. Guerout, S. Boisnard, D. Mazel, Comparative study of class 1 integron and *Vibrio cholerae* superintegron integrase activities. *J. Bacteriol.* **187**, 1740–1750 (2005).
43. J. G. Carbonell, R. S. Michalski, T. M. Mitchell, in *Machine Learning: An Artificial Intelligence Approach*, R. S. Michalski, J. G. Carbonell, T. M. Mitchell, Eds. (Springer, 1983), pp. 3–23.
44. P. Baldi, S. Brunak, *Bioinformatics: The Machine Learning Approach* (MIT Press, ed. 2, 2001).
45. G. Karimova, D. Ladant, A. Ullmann, L. Selig, P. Legrain, Bacterial two-hybrid system for protein-protein interaction screening, new strains for use therein, and their applications, U.S. Patent 0045237 (2002).
46. O. Espeli, L. Moulin, F. Boccard, Transcription attenuation associated with bacterial repetitive extragenic BIME elements. *J. Mol. Biol.* **314**, 375–386 (2001).
47. D. G. Gibson, L. Young, R.-Y. Chuang, J. C. Venter, C. A. Hutchison III, H. O. Smith, Enzymatic assembly of DNA molecules up to several hundred kilobases. *Nat. Methods* **6**, 343–345 (2009).
48. R. L. Plackett, Karl Pearson and the chi-squared test. *Int. Stat. Rev.* **51**, 59–72 (1983).

Acknowledgments: We would like to thank M. Weigt for fruitful discussions and D. Ladant for providing vectors for the ELISA-based linker assay, as well as C. Bouchier and S. Kennedy from the Biomics Pole of Institut Pasteur for performing the sequencing and for general help.

Funding: This work was supported by Institut Pasteur, Centre National de la Recherche Scientifique, French Government's Investissement d'Avenir program Laboratoire d'Excellence "Integrative Biology of Emerging Infectious Diseases" (ANR-10-LABX-62-IBEID), the French National Research Agency (ANR-12-BLAN-DynamINT), Paris Descartes University, and Ecole Doctorale Frontières du Vivant, Fondation pour la Recherche Médicale (FDT20150532465).

Author contributions: D.M., A.N., J.B., M.S.G., J.C., and D.B. designed the research. A.N., M.S.G., C.L., J.C., and L.S. designed and performed the in vivo experiments. A.N. and J.B. designed and performed the machine learning experiments. A.N. and J.B. wrote the draft of the manuscript. All authors read, amended the manuscript, and approved its final version.

Competing interests: D.M., A.N., D.B., and M.S.G. are authors of the patent WO/2018/019991-EP3497217 that describes the algorithm that generates synthetic *attC* sites and its applications. The authors declare no other competing interests. **Data and materials availability:** All data needed to evaluate the conclusions in the paper are present in the paper and/or the Supplementary Materials. Additional data related to this paper may be requested from the authors. The algorithm for generating synthetic *attC* sites as well as data used for ML and the implementations of the algorithms can be found at www.lcqb.upmc.fr/attCsynth. The algorithm that generates synthetic *attC* sites and embeds them into protein sequences has been submitted to the Agence pour la Protection des Programmes under IDDN FR.001.210001.000.S.P.2017.000.31235. This algorithm and the patent WO/2018/019991-EP3497217 that describes its principles and uses are subject to licensing for any commercial use. The algorithm, bacterial strains, and plasmids can be provided by Institut Pasteur pending scientific review and a completed material transfer agreement. Requests for the material should be submitted to mazel@pasteur.fr or mta@pasteur.fr.

Submitted 4 October 2019

Accepted 12 June 2020

Published 24 July 2020

10.1126/sciadv.aay2922

Citation: A. Nivina, M. S. Grieb, C. Loot, D. Bikard, J. Cury, L. Shehata, J. Bernardes, D. Mazel, Structure-specific DNA recombination sites: Design, validation, and machine learning-based refinement. *Sci. Adv.* **6**, eaay2922 (2020).

Structure-specific DNA recombination sites: Design, validation, and machine learning–based refinement

Aleksandra Nivina, Maj Svea Grieb, Céline Loot, David Bikard, Jean Cury, Laila Shehata, Juliana Bernardes and Didier Mazel

Sci Adv 6 (30), eaay2922.
DOI: 10.1126/sciadv.aay2922

ARTICLE TOOLS

<http://advances.sciencemag.org/content/6/30/eaay2922>

SUPPLEMENTARY MATERIALS

<http://advances.sciencemag.org/content/suppl/2020/07/20/6.30.eaay2922.DC1>

REFERENCES

This article cites 42 articles, 10 of which you can access for free
<http://advances.sciencemag.org/content/6/30/eaay2922#BIBL>

PERMISSIONS

<http://www.sciencemag.org/help/reprints-and-permissions>

Use of this article is subject to the [Terms of Service](#)

Science Advances (ISSN 2375-2548) is published by the American Association for the Advancement of Science, 1200 New York Avenue NW, Washington, DC 20005. The title *Science Advances* is a registered trademark of AAAS.

Copyright © 2020 The Authors, some rights reserved; exclusive licensee American Association for the Advancement of Science. No claim to original U.S. Government Works. Distributed under a Creative Commons Attribution NonCommercial License 4.0 (CC BY-NC).