



HAL
open science

IntAct: A 96-Core Processor With Six Chiplets 3D-Stacked on an Active Interposer With Distributed Interconnects and Integrated Power Management

Pascal Vivet, Eric Guthmuller, Yvain Thonnart, Gaël Pillonnet, Cesar Fuguet,
Ivan Miro-Panades, Guillaume Moritz, Jean Durupt, Christian Bernard,
Didier Varreau, et al.

► To cite this version:

Pascal Vivet, Eric Guthmuller, Yvain Thonnart, Gaël Pillonnet, Cesar Fuguet, et al.. IntAct: A 96-Core Processor With Six Chiplets 3D-Stacked on an Active Interposer With Distributed Interconnects and Integrated Power Management. IEEE Journal of Solid-State Circuits, 2021, 56 (1), pp.79-97. 10.1109/JSSC.2020.3036341 . hal-03072959

HAL Id: hal-03072959

<https://hal.science/hal-03072959>

Submitted on 16 Dec 2020

HAL is a multi-disciplinary open access archive for the deposit and dissemination of scientific research documents, whether they are published or not. The documents may come from teaching and research institutions in France or abroad, or from public or private research centers.

L'archive ouverte pluridisciplinaire **HAL**, est destinée au dépôt et à la diffusion de documents scientifiques de niveau recherche, publiés ou non, émanant des établissements d'enseignement et de recherche français ou étrangers, des laboratoires publics ou privés.

INTACT: A 96-Core Processor with 6 Chiplets 3D-Stacked on an *Active* Interposer with Distributed Interconnects and Integrated Power Management

Pascal Vivet, *Member, IEEE*, Eric Guthmuller, Yvain Thonnart, *Member, IEEE*, Gael Pillonnet, *Senior Member, IEEE*, Cesar Fuguet, Ivan Miro-Panades, *Member, IEEE*, Guillaume Moritz, Jean Durupt, Christian Bernard, Didier Varreau, Julian Pontes, Sebastien Thuries, David Coriat, Michel Harrand, *Member, IEEE*, Denis Dutoit, Didier Lattard, Lucile Arnaud, Jean Charbonnier, *Member, IEEE*, Perceval Coudrain, Arnaud Garnier, Frederic Berger, Alain Gueugnot, Alain Greiner, Quentin Meunier, Alexis Farcy, Alexandre Arriordaz, Severine Cheramy, Fabien Clermidy

Abstract—In the context of high performance computing, the integration of more computing capabilities with generic cores or dedicated accelerators for AI application is raising more and more challenges. Due to the increasing costs of advanced nodes and the difficulties of shrinking analog and circuit IOs, alternative architecture solutions to single die are becoming mainstream. Chiplet-based systems using 3D technologies enable modular and scalable architecture and technology partitioning. Nevertheless, there are still limitations due to chiplet integration on passive interposers – silicon or organic. In this paper we present the first CMOS active interposer, integrating i) power management without any external components, ii) distributed interconnects enabling any chiplet-to-chiplet communication, iii) system infrastructure, Design-for-Test, and circuit IOs. The INTACT circuit prototype integrates 6 chiplets in FDSOI 28nm technology, which are 3D-stacked onto this active interposer in 65nm process, offering a total of 96 computing cores. Full scalability of the computing system is achieved using an innovative scalable cache coherent memory hierarchy, enabled by distributed Network-on-Chips, with 3Tbit/s/mm² high bandwidth 3D-plug interfaces using 20μm pitch micro-bumps, 0.6ns/mm low latency asynchronous interconnects, while the 6 chiplets are locally power-supplied with 156mW/mm²@ 82%-peak-efficiency DC-DC converters through the active interposer. Thermal dissipation is studied showing the feasibility of such approach.

Index Terms—3D technology, Chiplet, Active Interposer, Power Management, Network-on-Chip, Thermal dissipation

I. INTRODUCTION

IN the context of high performance computing (HPC) and big-data applications, the quest for performance requires modular, scalable, energy-efficient, low-cost many-core systems. To address the demanding needs for computing power, system architects are continuously integrating more cores, more accelerators, more memory in a given power envelope [1]. It

appears that similar needs and constraints are emerging for the embedded HPC domain, in transport applications for instance with autonomous driving, avionics, etc.

All these application domains require highly optimized and energy efficient functions: generic ones such as cores, GPUs, embedded FPGAs, dense and fast memories, and also more specialized ones, such as Machine Learning and Neuro-accelerators to efficiently implement the greedy computing demand of Big Data and AI applications.

Circuit and system designers are in need of a more affordable, scalable and efficient way of integrating those heterogeneous functions, to allow more reuse, at circuit level, while focusing on the right innovations in a sustainable manner. Due to the slowdown of advanced CMOS technologies (7nm and below), with yield issues, design and mask costs, the innovation and differentiation through single die solution is not viable anymore. Mixing heterogeneous technologies using 3D is a clear alternative [2][3]. Partitioning the system into multiple chiplets 3D-stacked onto large-scale interposers – organic substrate [4], 2.5D passive interposer [5] or silicon bridge [6] – leads to large modular architectures and cost reduction in advanced technologies using a Known Good Die (KGD) strategy and yield management.

Nevertheless, the current passive interposer solutions still lack flexible and efficient long distance communication, smooth integration of chiplets with incompatible interfaces, and easy integration of less-scalable analog functions, such as power management and system IOs. We present the first CMOS Active Interposer, measured on silicon, integrating power management, distributed interconnects, enabling an innovative scalable cache coherent memory hierarchy. Six chiplets are 3D-stacked onto the active interposer, offering a total of 96 cores.

This paper has been submitted for review 2020/06/12, second review 2020/09/16, last version 2020/10/27.

This work was in part funded by the French National Program Programme d'Investissements d'Avenir, IRT Nanoelec under Grant ANR-10-AIRT-05, and also by the following research projects: SHARP CA109 CATRENE project, MASTER3D CT312 CATRENE project, Hubeo+ CARNOT project.

P. Vivet, E. Guthmuller, Y. Thonnart, Gael Pillonnet, C. Fuguet, I. Miro-Panades, G. Moritz, J. Durupt, S. Thuries, D. Coriat, M. Harrand, D. Dutoit, D.

Lattard, L. Arnaud, J. Charbonnier, P. Coudrain, A. Garnier, F. Berger, A. Gueugnot, S. Cheramy, F. Clermidy are from CEA, University Grenoble Alpes, Grenoble, FR. C. Bernard, D. Varreau were in CEA Grenoble, FR, and are now retired. J. Pontes was in CEA Grenoble, FR, he is now with ARM, Sheffield, UK. A. Greiner, Q. Meunier are from LIP6 Lab, University Paris Sorbonne, Paris, FR. A. Farcy is from STMicroelectronics, Crolles, FR. A. Arriordaz is from Mentor a Siemens Business, Montbonnot, FR. (contact e-mail: pascal.vivet@cea.fr)

The outline of the paper is as follows: section I introduces the chiplet paradigm in more detail, with a state of the art on these technologies and the proposed concept of active interposer. Section II presents an overview of the INTACT demonstrator architecture and 3D technology, while the sub-subsequent sections detail the various sub-elements of the circuit: computing chiplet, power management, distributed interconnects, and testability. Section IX addresses the thermal issues. Finally, section X and XI present the final circuit results and conclusion.

II. CHIPLET AND ACTIVE INTERPOSER PRINCIPLE

A. Chiplet partitioning: concept and challenges

Chiplet partitioning is raising new interest in the research community [7], in large research programs [8] and in the industry [9]. It is actually an idea with a long history in the 3D technology field [2]. The concept of chiplet is rather simple: divide circuits in modular sub-systems, in order to build a system as a LEGO®-based approach, using advanced 3D technologies.

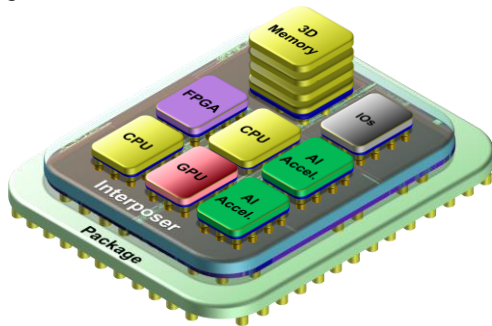


Fig. 1. Chiplet partitioning concept

The motivation for chiplet-based partitioning is as follows:

- It is driven by cost. Due to increasing issues in advanced CMOS technologies (7nm and below), achieving high yield on large dies in acceptable costs is not possible anymore, while shrinking all the analog IPs (power management, Fast IO SerDes, etc) is becoming increasingly difficult. By dividing a system in various sub-modules, called chiplets, it is possible to yield larger systems at acceptable cost, thanks to Known Good Die (KGD) sorting [10].
- It is driven by modularity. By an elegant divide & conquer partitioning scheme, *chipletization* allows to build modular systems from various building blocks and circuits, focusing more on functional aspects than on technology constraints. Circuit designers can deeply optimize each function: generic CPUs, optimized GPUs, embedded FPGAs, dedicated accelerators for machine learning, dense memory solutions, IO & services, while the system designer is picking the best combination to build a differentiated and optimized system.
- It is enabled by heterogeneous integration. For chiplets, the right technology is selected to implement the right function: advanced CMOS for computing, DRAM for memory cubes like High Bandwidth Memory (HBM) [11], Non Volatile Memory (NVM) technology for data processing within AI accelerators [12], mature technology for analog functions (IOs, clocking, power management, etc). Chiplet integration is then performed using advanced 3D technologies, which are getting more and more mature, with reduced pitches,

using Through Silicon Via (TSV) and micro-bumps [5] or even more advanced die-to-wafer hybrid bonding technologies [3][13].

To benefit from all these advantages and possibilities, there are nevertheless clear challenges for chiplets. The ecosystem needs to change progressively from IP-reuse to chiplet-reuse; this requires fundamental changes in the responsibilities of the various providers. These constraints are economical rather than technical, but they are strongly driving the technical choices.

For system level design, the simple LEGO® cartoon (Fig. 1) needs some adequate methodologies to address system modeling, cost modeling, to perform technology and architecture partitioning while achieving an optimized system. A strong movement is building momentum towards the standardization of chiplet interfaces to enable this modularity between various vendors [14].

Finally, many circuit level design issues arise: design of energy efficient chiplet interfaces, testability, power management and power distribution, final system sign-off in terms of timing, power, layout, and reliability, thermal dissipation. To address these 3D design challenges, new CAD tools and associated design flows must be developed [49].

In this paper, a partitioning using identical chiplets is proposed to scale-out a large distributed computing system offering 96-cores, by using heterogeneous technologies. Many circuit design aspects are addressed in terms of chiplet interfaces, distributed interconnects, power management, testability, and associated CAD flows.

B. State of the Art on Interposers

In order to assemble the chiplets together, various technologies have been developed and are currently available in the industry (Fig. 2).


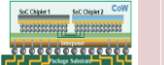
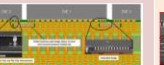

Organic Substrates	Passive interposer (2.5D)	Silicon bridges	3D Vertical Stacking
 AMD, 4-chiplet, ISSCC'2018	 AMD, 8-chiplet, ISSCC'2020	 TSMC, CoWoS, VLSI'2019	 INTEL, Foveros, ISSCC'2020

Fig. 2. State-of-the-art on recent interposer and 3D technologies

Firstly, organic substrate is the lowest cost solution, while offering larger interconnect pitches (130µm). This technology has been adapted by AMD for their EPIC processor family, with a first version with up to 4 chiplets [4] and a recent version with up to 8 chiplets using a central IO die to distribute the system level interconnects [15]. Passive interposers, also called 2.5D integration, as proposed for instance by TSMC CoWoS [5] enable more aggressive chip-to-chip interconnects and pitches (40µm) but are still limited to “wire only” connections. A trade-off in terms of cost, pitches and performances can be achieved by using a silicon bridge embedded within the organic substrate as presented by INTEL and their EMIB bridge [6]. Finally, regular 3D stacking (for vertical assembly) may also be used, which is also orthogonal and complementary of interposer approaches. INTEL has presented recent results with their Foveros technology and LakeField processor [16].

All these solutions are promising and show clear benefits in terms of cost and performances. Nevertheless, various challenges still arise:

- Inter-chiplet communication is mostly limited to side-by-side communication, due to wire-only interposers. Longer range communication should rebound in the chiplets themselves, which is not scalable to build larger systems with numerous chiplets. The recent solution from AMD with their IOD [15] is partially solving these issues, with better communication distribution and easier IO integration, but may still not scale further on the long term.
- Current interposer solutions do not integrate themselves less scalable functions, such as IOs, analogs, power management, close to the chiplets. The recent solution from INTEL with digital on top of analog partitioning is solving this issue, but is still limited today to a single die [16].
- Finally, it is currently complex to integrate chiplets from different sources, due to missing standards, even if strong initiatives are on-going [8, 14]. Wire-only interposers prevent the integration of chiplets using incompatible protocols, while active interposers enable to bridge them, as adapted by zGLUE Inc. [51].

In order to tackle all these issues, this paper presents the concept of Active Interposer, which integrates logic functions within the large interposer area. The concept has been already introduced before, either as a low cost and limited active-light solution for ESD integration [17] or with system level architecture explorations showing the capability to scale larger systems [19][20]. The next section presents the active interposer concept, enabled by technology improvements [18].

C. Active Interposer principle and partitioning

The proposed Active Interposer concept is detailed in Fig. 3. Chiplets can be either identical or different, for homogeneous functions as presented here, or differentiated functions, as presented in Fig. 1. Chiplets, implemented in an advanced CMOS technology, may themselves be composed of clusters of cores. Each chiplet can contain its own interconnects for intra-chip communication, which are extended in 3D for chiplet-to-chiplet communication. The CMOS interposer integrates a scalable and distributed Network-on-Chip (NoC), which offers the main capability of allowing any chiplet-to-chiplet traffic, without interfering with unrelated chiplets. As a conclusion, a hierarchical 3D NoC is obtained, with 2D NoC within the chiplet, 2D NoC within the active interposer, which can be further refined and differentiated according to traffic classes. Moreover, dense 3D interconnects enable high bandwidth density with parallel signaling. Such a communication scheme enables fully modular and scalable cache-coherent architecture, for offering large many-cores [20][28][29].

In order to provide efficient power supply to each chiplet, power management and associated power converters can be directly implemented within the active interposer, to bring power supply closer to the cores, for increased energy efficiency in the overall power distribution hierarchy, and allowing Dynamic Voltage and Frequency Scaling (DVFS) scheme at the chiplet level. Moreover, all the less-scalable functions, such as analog IPs, clock generators, and circuit IOs

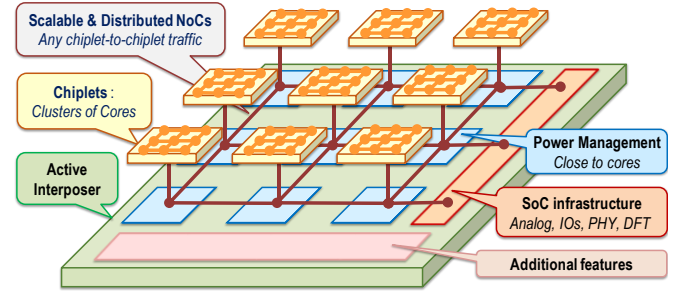


Fig. 3. Active Interposer concept and main features

with SerDes and PHYs for off-chip communication, as well as the regular System-on-Chip infrastructure, such as low performance IOs, test, debug, etc., can also be implemented in the bottom die. Finally, additional features can be integrated in the active interposer, to specialize for a given application, enabling to differentiate the overall system. For instance, if incompatible chiplets are assembled, the active interposer can implement protocol bridges.

Due to additional power budget within the interposer, the thermal challenge of 3D might increase. Nevertheless, most of the power budget is within the chiplets, thermal dissipation issues are then limited, as presented section IX.

Regarding technology partitioning, the active interposer should be implemented using a mature technology, with a low logic density to achieve high yield. Large logic density within a large interposer would lead, even using a mature technology, to an un-yieldable and costly system. A difference of at least two technology nodes between the computing chiplets and the interposer should lead to an acceptable cost, while allowing enough performances in the bottom die for analog and PHYs to sustain the overall system performances, as done in [16].

III. INTACT CIRCUIT ARCHITECTURE

The proposed Active Interposer concept is implemented within a large-scale circuit demonstrator, offering 96-cores, called INTACT for “Active Interposer”.

A. INTACT Circuit Architecture

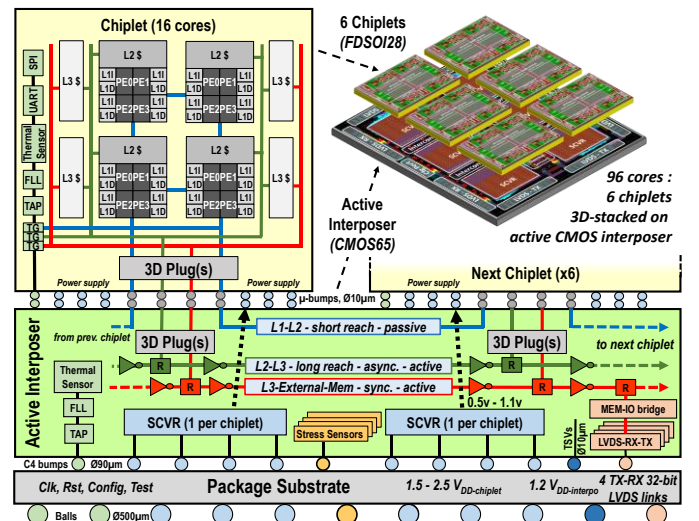


Fig. 4. INTACT overall circuit architecture

INTACT is the first CMOS active interposer [21] integrating: i) Switched Capacitor Voltage Regulator (SCVR) for on-chip power management; ii) flexible system interconnect topologies between all chiplets for scalable cache coherency support; iii) energy efficient 3D-Plugs for dense inter-layer communication; iv) a memory-IO controller and PHY for socket communication. Fig. 4 presents an overview of the overall many-core circuit architecture, with the chiplets, the distributed interconnects, the integrated power management, and the system infrastructure, which are detailed hereinafter.

Each chiplet is a 16-core sub-system composed of 4 computing clusters of 4 cores, integrating their own distributed coherent memory caches, and their associated system level interconnects. The chiplet architecture and associated memory hierarchy is presented section V.

The chiplet interconnects are extended through the active interposer for chiplet-to-chiplet communication using distributed NoCs and various kinds of communication links, using so-called “3D Plug” communication interfaces. For off-chip communication, the active interposer integrates a memory-IO controller and 4x32bits 600Mb/s bidirectional LVDS links offering a total of 19.2 GB/s off-chip bandwidth. The communication IPs and overall communication architecture are presented in section VII and VIII respectively.

The active interposer integrates a power management IP for supplying individually each chiplet and offering on-demand energy efficient power management, below each chiplet and surrounded by pipeline NoC links. The SCVR is presented in more detail section VI.

Finally, the active interposer integrates some regular System-on-Chip infrastructure elements such as clock & reset generation, thermal sensors, stress sensors, low speed interfaces (UART, SPI) for debug and configuration, and Design-for-Test (DFT) logic for Known Good Die (KGD) sorting and final test. 3D testability challenges and associated DFT are presented in more detail section IX.

In conclusion, INTACT offers a large-scale cache-coherent many-core architecture, with a total of 96 cores in 6 chiplets (4 cores x 4 clusters x 6 chiplets), which are 3D-stacked onto the active interposer.

B. INTACT Circuit Technology Partitioning

The 22 mm² chiplets are implemented in a 28nm FDSOI CMOS node, while the 200 mm² active interposer is using a 65nm CMOS node, which is a more mature technology. As presented in section III, this technology partitioning exhibits two technology nodes differences between the computing die and the active interposer. This enables enough performance in the bottom die for the interconnects, the analog parts and the system IOs, while still allowing a yieldable large scale active interposer.

Even though complex functions are integrated, the yield of the active interposer is high thanks to this mature 65 nm node and a reduced complexity (0.08 transistor/ μm^2 , see section II.C), with 30% interposer area devoted to SCVR variability-tolerant capacitors scheme. This technology partitioning leads to a practical and reachable circuit and system in terms of

silicon cost using advanced 3D technologies (more details in terms of yield analysis can be found in [22]).

C. INTACT physical design and 3D technology parameters

For enabling system integration, and allowing efficient chiplet-to-chiplet communication, an aggressive 3D technology has been developed and used. A summary of the respective chiplet, interposer, and 3D technologies is given in Table I.

As presented in Fig. 5 with the circuit 3D-cross section, the 6 chiplets are 3D-stacked in a face-to-face configuration using 20 μm -pitch micro-bumps (μ -bumps) onto the active interposer (2x smaller pitch compared to state of the art [23]). These dense chip-to-chip interconnects enable a high bandwidth density, up to 3TBit/s/mm² as detailed in section VI.A, using parallel signaling through thousands of 3D signal interfaces. For bringing power supplies and allowing off-chip communication, the active interposer integrates TSV-middle with a pitch of 40 μm and an aspect ratio of 1:10 (10 μm diameter for a silicon height of 100 μm) and a keep-out zone of 10 μm . Finally, the overall system is assembled onto a package organic substrate (10 layers), using C4 bumps with a pitch of 200 μm .

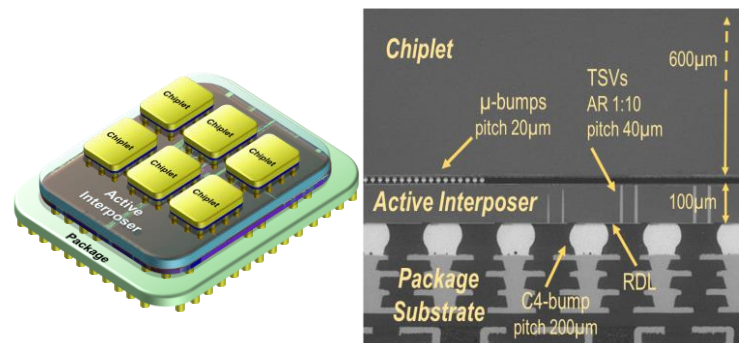


Fig. 5. INTACT : from concept to 3D-cross section

TABLE I: INTACT MAIN CIRCUIT FEATURES AND 3D TECHNOLOGY DETAILS

Chiplet technology	FDSOI 28nm, 10 metals, 0.5V-1.3V+adaptive biasing
Chiplet area	4.0 mm x 5.6 mm = 22.4 mm ²
Chiplet complexity	395 Million transistors, 18 transistors/ μm^2 density
Interposer tech.	CMOS 65nm bulk, 7 metals, MIM option, 1.2V
Interposer area	13.05 mm x 15.16 mm = 197.8 mm ²
Interposer complexity	15 Million transistors, 0.08 transistors/ μm^2 density
3D technology	Face2Face, Die2Die assembly onto active interposer
μ -bump technology	$\emptyset 10\mu\text{m}$, pitch 20 μm
# μ -bumps	150 000 (20k signals + 120k powers + 10k dummies)
Inter-chiplet distance	800 μm
TSV technology	TSV middle, $\emptyset 10\mu\text{m}$, height 100 μm , pitch 40 μm
#TSV	14 000 TSV (2 000 signals + 12 000 power supply)
Backside RDL	10 μm width, 20 μm pitch
C4-bumps	$\emptyset 90\mu\text{m}$, pitch 200 μm , 4,600 bumps
Flipchip package	BGA 39 x 39, 40mm x 40mm, 10 layers
Balls	$\emptyset 500\mu\text{m}$, pitch 1mm, 1 517 balls

In terms of complexity: 150,000 3D connections are performed using μ -bumps between the chiplets and the active interposer, with 20,000 connections for system communication, using the various 3D-Plugs, and 120,000 connections for power supplies using the SCVRs; while 14,000 TSVs are implemented for power supplies and off chip communication. Due to the high level of complexity of the system, 3D assembly sign-off has been performed using the Mentor 3DStack CAD tool [50].

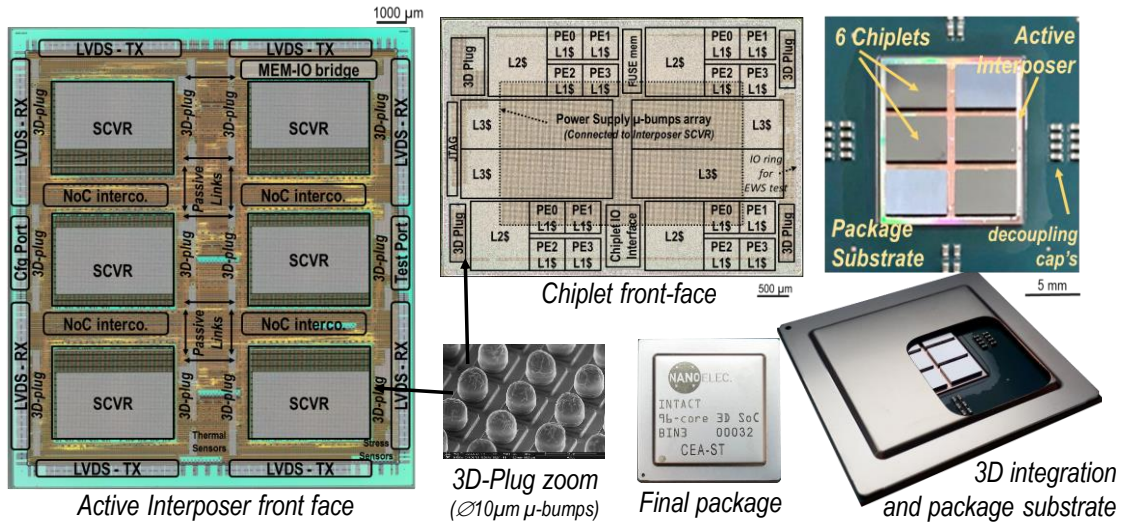


Fig. 6. Chiplet and Active Interposer floorplans, details of the 3D-plug μ -bumps, final 3D integration and package

In Fig. 6, we present the respective floorplans of the chiplets and the active interposer. For the chiplet, one can see the 4 computing clusters and associated L1/L2/L3 caches, while for the active interposer one can see the different SCVR, which are supplying power to each individual chiplet, the distributed system interconnects, and the system IOs on the circuit periphery. Dense 3D connectivity is done in various locations of the circuit using the 3D-plug interfaces and associated μ -bumps. Finally, the overall circuit has been packaged in a Ball Grid Array (BGA) flip-chip package with 10 layers. In addition, one can see the 6 chiplets onto the package, before the final assembly with the cover lead and the package serigraphy.

More details on the various 3D technology element (μ -bumps, TSVs, RDL, etc.) and 3D assembly steps, with in-depth technology characterization can be found in [23].

IV. COMPUTING CHIPLET ARCHITECTURE

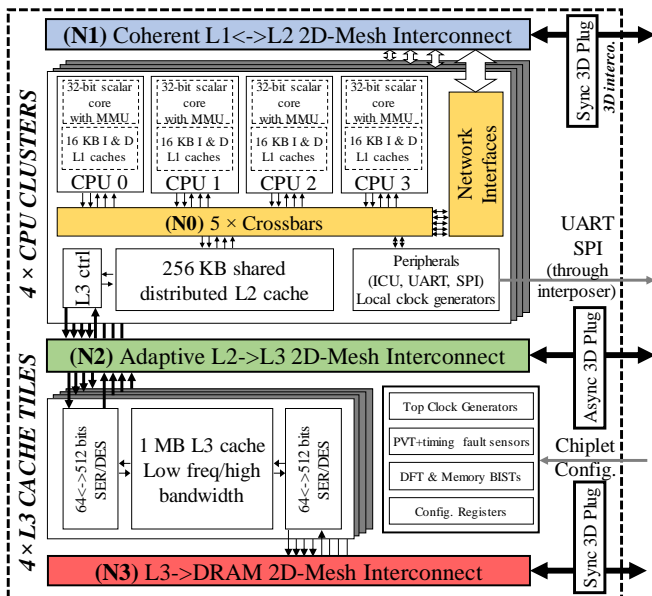


Fig. 7. Chiplet architecture, offering a 16-core scalable coherent fabric

A. Chiplet Overview

The focus of this architecture is its scalability, so we chose to design homogeneous chiplets embedding both processors and caches [24]. With the current memory mapping, the architecture can be tiled up to 8×7 chiplets, last 2D-mesh row being reserved for off-chip IO accesses, achieving a maximum number of 56 chiplets, for a hypothetical total of 896 cores. The last-level cache is large enough with respect to computing power to release the pressure on the external memory access.

Each chiplet is composed of 4 clusters of 4 32-bit scalar cores (MIPS32v1@ compatible ISA) as shown in Fig. 7. System interconnects are extended to 3D using synchronous and asynchronous so-called “3D Plugs”. Chiplets form a single fully cache coherent architecture composed of the following elements: separate 16 KB L1 Instruction-cache (I-cache) and Data-cache (D-cache) per core with virtual memory support, a shared distributed L2-cache with 256 KB per cluster, and an adaptive distributed L3-cache, with 4 L3 tiles (4×1 Mbytes) per chiplet.

All clocks (Cluster, L3 tile and interconnect) are generated by 11 Frequency Locked Loop (FLL) clock generators. To mitigate PVT variation, particularly across the dies in a 3D stack, we implement a timing fault methodology for F_{max}/V_{min} tracking [30]. Finally, chiplets are tested using IEEE1687 IJTAG, compressed full-scan, memory Built-In Self Test (BIST), and boundary scan for 3D IOs test, to allow for Known Good Die (KGD) assembly, as explained section VIII.

B. Chiplet Interconnects and their extension

Four different system level interconnects (N0 to N3) make up the system communication infrastructure as shown in Fig. 7, three of which are extendable in 3D: (N0) within cluster, a NoC crossbar allows the communication between the four cores through I&D caches and Network Interface; (N1) between L1 and L2 caches, a 5-channel 2D-mesh interconnect implements the coherency protocol and is routed in the interposer through passive links (two on each side); (N2) between L2 and L3 tiles,

a 2-channel 2D/3D-mesh interconnect; (N3) between L3-caches and off-chip DRAM memory, a 2-channel 2D/3D-mesh interconnect. (N1) 2D-mesh is fully extended to other chiplets for maximum throughput and lowest short-reach latency as shown in section VII. Peripherals are also connected to this network, which conveys IO requests. (N2) and (N3) networks implement a hierarchical routing scheme where a single router among the four of the chiplet 2D-mesh is used to reach the active interposer. This architecture reduces the 3D footprint for N2 and N3 networks, which are less bandwidth demanding. Using asynchronous logic for N2 3D plug allows for low latency L2 to L3 communications.

C. System memory mapping

The memory hierarchy is distributed and adaptive (Fig. 8): the 1 TB memory space is physically distributed among L2-caches accessed through (N1) network. Cluster coordinates in the 2D-mesh are encoded in the 8 most significant bits of the address, forming a Non Uniform Memory Architecture (NUMA), as done in [48]. Due to the X-first routing scheme of (N1) network, access to IO controllers located in the external FPGA is done through the North port of the (X=3,Y=5) router found in upmost right (X=1,Y=2) chiplet. Thus these IOs are mapped at [0x3600000000:+40GB] memory segment.

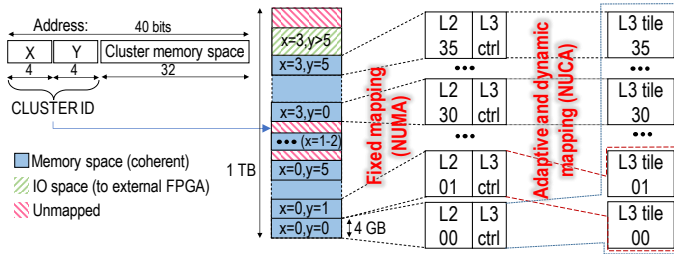


Fig. 8. Memory mapping and cache allocation

D. Cache Coherency Scalability

1) L1 caches

Each core has a private L1 cache that implements a Harvard’s architecture with separate 4-way 16 KB cache memories for instruction (I) and data (D) with 64 bytes cache lines. L1 D-caches are write-through and implement a fully associative write buffer composed of 8 128-byte entries flushed either on explicit synchronization or on expiration of a 8-cycle timer. L1 I/D-caches include a MMU (Memory Management Unit), which consists of two, per-core private, fully associative, 16-entry TLBs (Translation Lookaside Buffers) for instruction and data. MMUs with coherent TLBs translate the 32-bit virtual address space (4 GB) in processor cores onto the 40-bit physical address space (1 TB) mapped as shown in Fig. 8. The hardware guarantees the coherency of both L1 I/D-caches and both I/D-TLBs (see next section).

As mentioned previously, the processor implements a NUMA memory hierarchy, and the most significant bits of the physical address designates the coordinates of the L2 cache containing that data. To improve performance, the Operating System (OS) needs to map data and code close to the cores that use them. OS can do that through the virtual memory subsystem by the mapping of physical memory pages. To assist the OS in

this task, our architecture implements two hint bits in the page table: the local (L) and remote (R) bits. They are automatically set by the MMUs and signal if a given physical memory page has been accessed by a core in the same (local) or different (remote) cluster than the L2 cache that hosts the cache lines in that page, also called the “home node”. For instance, pages with the R bit set but the L bit unset are candidates for migration.

2) L2 caches

L2 caches are 16-way 256kB set associative write-back caches handling 64 bytes cache lines. The scalable cache coherence protocol exploits the fact that shared data are mostly either sparsely shared read-write or widely shared read-only [25][27]. Thus, L2 caches maintain L1-caches, TLBs and IO coherence using a Directory-based Hybrid Cache Coherence Protocol (DHCCP) based on write-through L1 caches. L2-cache lines have two states: a list mode where coherence is maintained by issuing multicast updates/invalidates; a counter mode where only broadcast invalidates are sent for this line.

In list mode, the sharers’ set of this line is stored as a linked list: the first sharer ID is in the L2 directory and the following in another memory bank (heap). When a core writes to this line, the respective home L2 cache sends update messages to sharers, thus keeping their copy up to date.

When the number of sharers reaches a predefined threshold (4 in our implementation) or if the heap is full (4096 entries in our implementation), the cache line is put in counter mode where only the sharers’ count is stored and broadcast invalidates are issued. The (N1) 2D-mesh and (N0) crossbar NoCs provide hardware support for broadcast and only L1 sharers of this line answer the broadcast, thus limiting the impact of broadcasts on scalability.

This hybrid sharing set representation is efficiently handling both main categories of shared data [26]. Write-through associated update messages also mitigate false sharing problems. The L2-cache coherence directory represents only 2% of die area with 15 bits core/cache IDs, showing the scalability of the cache coherence protocol. Section X.C shows scalability results for up to 512 cores.

3) L3 caches

L3-cache tiles are 16-way 1MB set associative write-back caches handling 128 bytes cache lines with one dirty bit per 64 bytes block. Tiles are dynamically allocated to L2-caches by software, forming a Non Uniform Cache Architecture (NUCA) as presented in Fig. 8. In case of L3 cache overlap, a shared tile behaves as a shared cache: more space is allocated to the most demanding memory segment. By overlapping L3 caches, the L3 cache controller located at output of each L2 cache offers a L3 fault tolerant adaptive repair. The controller uses a list of defective tiles to redirect traffic initially directed at these tiles to known working tiles. More detail on L3 micro-architecture and performance can be found in [28][29].

V. INTEGRATED VOLTAGE REGULATOR

A. Principle and 3D-staking

Granular power delivery is a key-feature to improve the overall energy efficiency of multi-core processors [31]. To

allow DVFS per-chiplet, fast transitions, and mitigate IR-drop effects, 6 integrated voltage regulators (VR) have been included in the interposer layer which individually supply each chiplet by V_{core} from V_{in} as shown in Fig. 9. The power is delivered through the μ -bump flip-chip matrix. The V_{in} voltage is delivered from the interposer back-face through a 40 μm -pitch TSV array. The VRs are fully integrated into the active interposer without needing any external component.

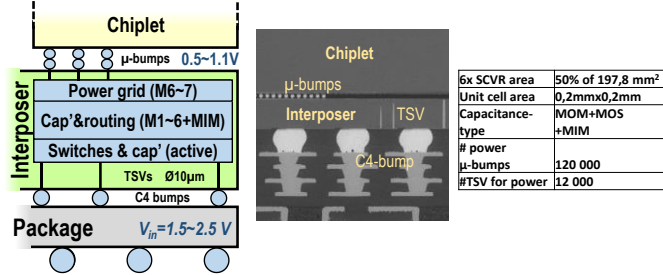


Fig. 9. Switched Capacitance Voltage Regulator (SCVR) cross-section.

The typical input voltage range V_{in} is 1.5~2.5V to reduce the delivered current I_{in} from TSV, package and motherboard. Thus, the number of package’s power IOs can be reduced compared to a direct V_{core} distribution from external VR. The power distributed network loss is also reduced.

B. Circuit design

The switched capacitor voltage regulators (SCVR) have been chosen thanks to their fully-integration capability [31][32][33][34][35]. The chosen topology is parallel-series 3-stage gearbox scheme to cover a large V_{out} range while maintaining power efficiency (Fig. 10). Thus, the SCVR generates 7 lossless voltage-ratio from 4:1 to 4:3. From 1.8V $_{in}$, the SCVR provides from 0.35V to 1.35V, which cover the low-to-high chiplet’s power modes. The gearbox scheme is interleaved into 10 phases to reduce the V_{core} ripple and to increase the control bandwidth. The number of interleaved phases is also chosen to maintain power efficiency at low-voltage level where required power for chiplet drops off. The feedback control is based on one-cycle hysteresis controller proposed in [34]. The voltage controller is centralized and sequences the charge injection in the interleaved converters at each clock cycle. The clock generation and controller is integrated on-chip.

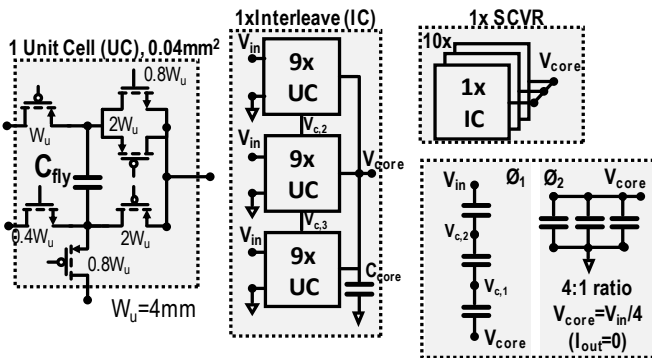


Fig. 10. SCVR unit-cell schematics and hierarchy

C. Physical design on interposer

As shown in Fig. 11, each SCVR occupies 50% of the chiplet footprint (11.4mm²) and is composed of 270 regular Unit Cells (UC), with a 0,2mm pitch, in a checkerboard pattern. The I/O device transistor may operate on an up to 3.3V input voltage. A MOS-MOM-MIM capacitor stack maximizes the capacitance density (8.9 nF/mm²) with 102nF flying capacitor per SCVR. To deal with potential process defaults on the large area of the interposer, fault-tolerant protocol is also included to mitigate the effect of defective unit cells on overall power efficiency.

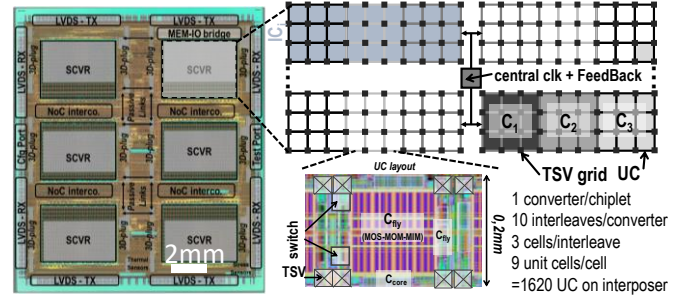


Fig. 11. SCVR layout on the interposer

D. Experimental results

As shown in Fig. 12.a, the SCVR achieves a measured 156 and 351mW/mm² power density at 82% peak efficiency and similar LDO’s efficiency, respectively. SCVR maintains more than 60% from 0.45 to 1.35V covering the full supply voltage range of the chiplet (Fig. 12.c). The SCVR delivers up to 5A output current while maintaining higher efficiency than an LDO (Fig. 12.b). The peak power efficiency is relatively constant against V_{in} typical range. As shown in Fig 12.d, the feedback control achieves less than 10ns step response for a middle-to-zero load transient (0.8 A to 0 A), while the full load is defined at peak efficiency (1.2 A).

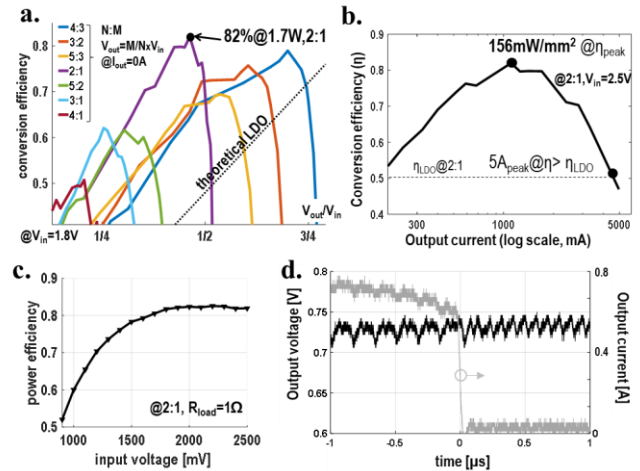


Fig. 12. SCVR experimental results: a) power efficiency vs voltage conversion ratio and gearbox configurations, b) efficiency over output current, c) efficiency vs input voltage at 2:1 ratio, d) load transient

Table II compares the 3D stacked SCVR to some previously published SCVR in 2D-context. The proposed SCVR exhibits the highest number of lossless ratio and the highest delivered power with a commonly available capacitor to enable widely spread use. Even if the SCVR is affected by TSV grid, the

power density is comparable to other wide range SCVRs. 3D integration of the SCVR on the interposer minimizes the system area and cost, with no impact on the chiplets.

TABLE II: COMPARISON WITH COMPARABLE SCVR USING MOS OR MIM CAPACITOR TECHNOLOGY

Reference	[32]	[33]	[35]	This work	Unit
Integration context	2D	2D	2D	3D	-
CMOS tech.	65	90	28	65	nm
Capacitor tech.	MOS	MOS	MIM	MOS+MIM	-
Ratio	2	1	4	7	-
Interleaving	8	21	8	10	-
Module area	1.11	2.14	0.46	11.4	mm ²
Flying cap density	5.5	5.6	11.7	8.9	nF/mm ²
V _{in} range	2.3	2.3~2.6	1.8	0.9~2.9	V
V _{out} range	0.8~1.2	1.0	0.2~1.1	0.4~1.8	V
Max power	0.67	0.12	-	2.6	W
Step response	250	15,000	200	10	ns
Droop voltage	150	95	100	20	mV
Peak efficiency	71	69	73	81	%
Power density	550	770	310	156	mW/mm ²

E. Discussion

Since the power efficiency obtained by the integrated VR is lower than external DC-DC converters, the overall power efficiency of the computing system could improve by allowing fine-grain DVFS without increasing the Bill-of-Material (BoM) and IOs numbers. The power density is smaller than previously published results but the converters are fully integrated within the active interposer, not on the same die, thus reducing the cost impact of the proposed active power mesh. The interposer integration opens the opportunity for dedicated post-process high density capacitors (e.g. deep trench capacitors) connected through TSV. We also prove the up-scaling capability of SCVR by fabricating the largest die area SCVR with a built-in capacitor fault-mitigation scheme.

VI. 3D-PLUG COMMUNICATION INTERFACES

A. 3D-Plug features overview

As presented section V.B, the different chiplet system level interconnects are extended throughout the active interposer, by using generic chiplet-interposer interfaces, called 3D-Plugs.

Each 3D-Plug integrates both the logical and physical interfaces. As presented Fig. 14, it contains the micro-bump array, the micro-buffer cells (bi-dir driver with ESD protection, level shifter and pull-up), and boundary-scan logic for Design-for-Test. A bi-directional driver is used to allow testability of the interface before assembly (see section IX). This 3D

interface is very similar to the 3D-Network-on-Chip interface, as presented earlier in [36]. Due to the 28nm/65nm technology partitioning, the micro-buffer cell also requires in that case a level shifter in order to bridge the voltage domains between the chiplet (typically 1.0V) to the active interposer (1.2V).

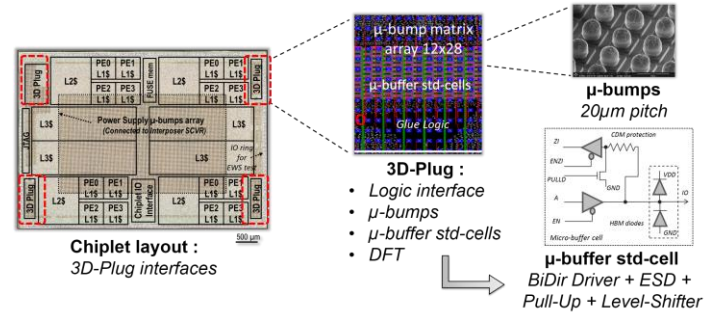


Fig. 14. 3D-Plug physical and logical interface overview

In terms of physical design, the different 3D IOs of each 3D-Plug have been created and assigned in an array fashion, while the micro-buffer cell has been designed as a standard cell and pre-placed within the pitch of the micro-bumps. All the other parts of the 3D-Plug (their logical interface and DFT) have been designed using automated place & route.

In order to build the system level interconnects of INTACT, different kind of 3D-Plug have been designed, as presented in Table III below.

TABLE III: 3D-PLUG TYPES AND USAGE IN INTACT

System Level Interconnect	3D-Plug type	Active interposer link type
L1↔L2 (N1 NoC)	Synchronous version	Short Reach, passive link
L2↔L3 (N2 NoC)	Asynchronous version	Long reach, active link
L3↔ExtMem (N3 NoC)	Synchronous version	Long reach, active link

Due to the different natures of the interconnects, in terms of traffic and distance/connectivity, two different kinds of 3D-Plugs have been designed, and compared in detail: one using synchronous design, as presented section VII.B, and one using asynchronous design, as presented section VII.C.

B. 3D-Plug Synchronous version

The microarchitecture of the source synchronous 3D-Plugs used for 2.5D passive (N1 NoC) and 3D face-to-face links (N3 NoC) is shown in Fig 13.a. Implemented as a standard synthesizable digital design, 3D-Plugs provide multiple Virtual

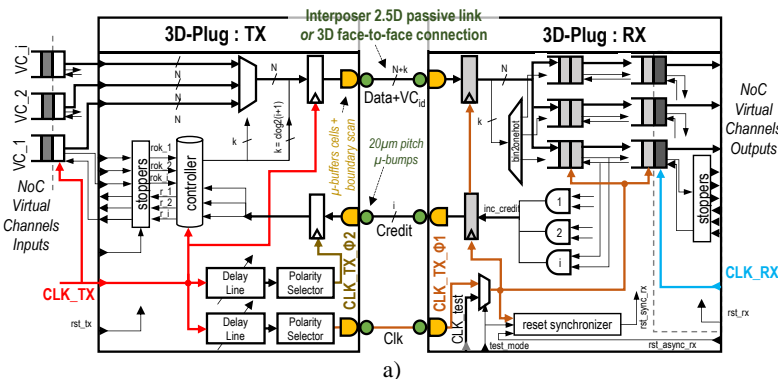


Fig. 13. a) Synchronous 3D-Plug micro-architecture and b) comparison to state of the art

	This work			[5] VLSI'19	Units
Technology	28nm FDSOI chiplets / 65nm active interposer			7nm FinFet chiplet	
3D Link type and technology	2.5D	3D	LIPINCON™		
	Passive (65nm Si)	Active (face-to-face)	Passive (CoWoS™)		
System Integration	L1S ↔ L2S	L3S ↔ Ext. Mem	L2S ↔ L3S		
Bus Width	168	156	320		pins
# On-Chip Bus Links	6+8+1	6	2		
Channel Length	1.5 - 1.8	0.05	0.5		mm
Die-to-Die Bump Pitch	20			40	µm
Voltage swing	1.2			0.3	V
Data Rate	1.25	1.21	8		Gb/s/pin
Power Efficiency	0.75	0.59	0.56		pJ/bit
Bandwidth Density	0.5	3.0	1.6		Tb/s/mm ²
Bandwidth Cross Section	0.9	N/A (unconstrained)	0.8		Tb/s/mm
Aggregate inter-Chiplets	394	133	-		GB/s
Bandwidth	527			640	

b)

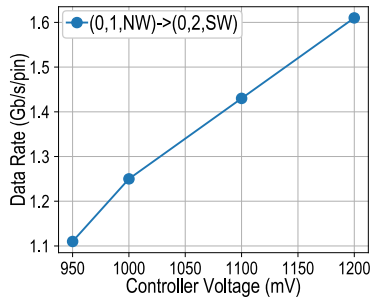


Fig. 15. Synchronous 3D-Plug max data rate for 2.5D passive links

Channels (VC), the number of which is configured at design time. They use credit-based control flow and clock forwarding schemes. 3D-Plug control logic operates at a higher frequency than the NoCs to reduce contention due to VC multiplexing. Delay lines and polarity selectors are used to skew TX clock for RX data sampling (CLK_TX_Φ1) and TX credit sampling (CLK_TX_Φ2).

When attached to the 3D vertical active link, the 3D-Plug achieves 3 Tb/s/mm² bandwidth density, 1.9x higher than [5]. 2.5D passive links reach a 12% higher bandwidth cross-section than [5] as shown in Fig 13.b. The aggregate synchronous 3D/2.5D links bandwidth is 527 GB/s.

We performed a frequency, logic voltage and clock phase sweep on synchronous 2.5D/3D links. All 2.5D passive links were able to reach at least 1.25 Gb/s/pin in the [0.95V-1.2V] VDD range and the best link shown in Fig. 15. was able to reach this bandwidth at 1V, while reaching more than 1.6 Gb/s/pin at 1.2V. We obtained best results with a 180° CLK_TX_Φ1 phase and varying CLK_TX_Φ2 phase depending on frequency. While much shorter than passive links, 3D vertical links achieve slightly lower data rates of 1.21 Gb/s/pin upward and 1.23 Gb/s/pin downward as one side of these 3D-Plugs is implemented in the more mature and slower 65nm technology of the interposer.

C. 3D-Plug Asynchronous version

For its inherent robustness to any source of timing variations and low latency [37], asynchronous logic is well adapted for designing system level interconnects and Network-on-Chip architectures in a Globally Asynchronous Locally Synchronous (GALS) scheme. In the context of 3D architectures, asynchronous logic and its local handshakes enables interfacing two different dies without any clocking issues. By using robust Quasi Delay Insensitive (QDI) logic, an Asynchronous 3D Network-on-Chip has been earlier presented in [36] but presents some 3D throughput limitations due to the 4-phase handshake protocol.

For INTACT, an innovative 3D-Plug interface has been designed, to benefit from 2-phase handshake protocol at the 3D interface, which reduces the penalty of 3D interface delay within the interface cycle time, and thus increases the 3D interface throughput. As introduced in [38], the principle is as follows (Fig. 16) :

- Use asynchronous 2-phase protocol for 3D interface communication, to reduce 3D interface delay penalty,

- Use asynchronous 4-phase protocol for on-chip communication, within the active interposer, for its inherent simplicity, low latency and performance [37],
- Introduce a protocol converter, from 2-phase protocol to 4-phase protocol and respectively, using an ad-hoc asynchronous logic encoding.

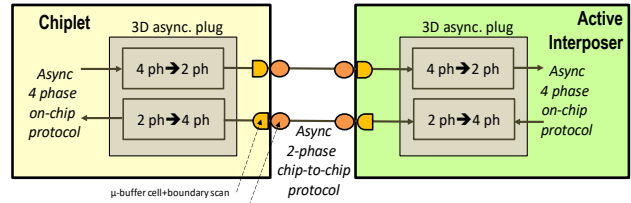


Fig. 16. 3D Plug asynchronous version overview, composed of protocol converters between the on-chip communication and the 3D interface.

A recent overview of asynchronous logic and signaling can be found in [39]. For implementing a low cost protocol converter, a 2-phase 1T-of-N multi-rail transition based signaling is used [38], with N=4 (4-rail encoded, thus 4 wires for 2 bits). In this encoding and 2-phase protocol, one single transition on Rail_i indicates the i value, which is then acknowledged by a transition on the feedback path. This encoding is close to the 1-of-n on-chip protocol, which leads to the corresponding protocol converters, shown in Fig. 17.

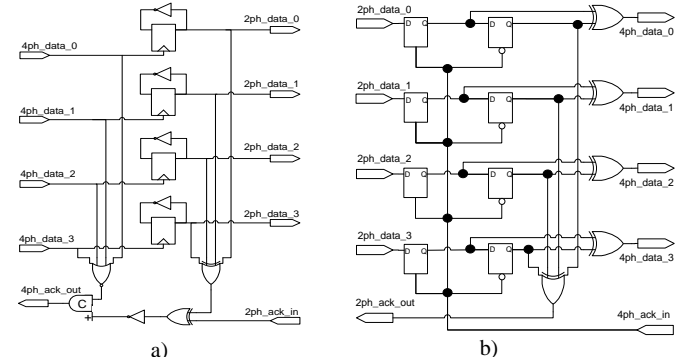


Fig. 17. 3D-Plug asynchronous version details, composed of a) 4-phase to 2-phase protocol converter, and b) 2-phase to 4-phase protocol converter.

Similarly to the synchronous 3D-plug interface, the protocol converter also integrates all the 3D objects: micro-bumps, micro-buffers, and boundary scan (Fig. 16). Finally, since the same number of wires is used for both protocols, a bypass mode of the protocol converters is added, configuring the 3D-plug interface either in 2-phase mode or in 4-phase mode, for circuit measurements.

VII. ACTIVE INTERPOSER SYSTEM INTERCONNECTS

A. Overview

Different kinds of system interconnects have been implemented between the chiplets on the interposer, using the 3D plugs described in the previous section. These interconnects are used to transport the different levels of cache coherence in the memory hierarchy. As discussed earlier, a mix of synchronous and asynchronous implementations was used, depending on latency and power targets.

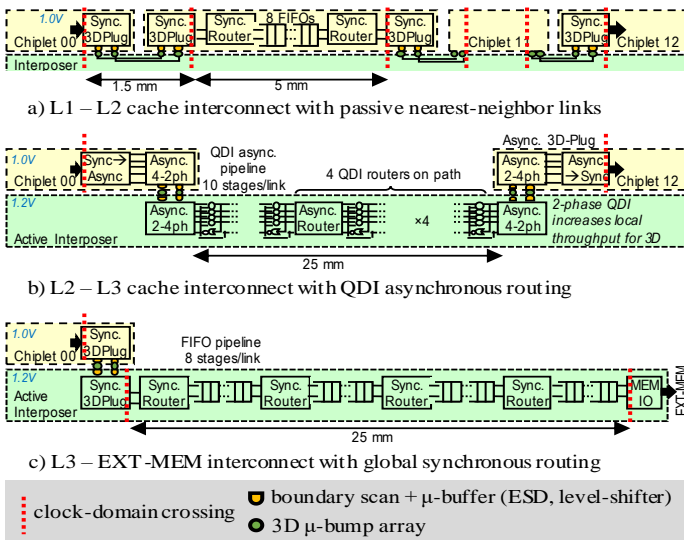


Fig. 18. INTACT system interconnect structure on longest path using different technologies for different traffic classes

The structure of the different interconnects is shown in Fig. 18, with clock-domain crossings, conversion interfaces, pipelining and routers. These three interconnects will be detailed in the next paragraphs. To assess their performance, on-chip traffic generators and probes were inserted in the chiplets networks on chip, for throughput and latency measurements.

B. L1-L2 cache interconnect

Fig. 18a presents the first level of cache interconnect between local L1 and distributed L2 caches (N1 NoC). As this first level of cache traffic is intended to be localized using an adequate application mapping, most of the traffic is expected to be exchanged between neighboring chiplets. Aside from clock-domain crossing between the two chiplets using synchronous 3D-Plugs, no other adaptation is required, and routing is entirely performed within the chiplets. Therefore, only passive metal wires are used on the interposer to connect the microbumps of neighboring chiplets.

Physical design of these interposer passive links was optimized to reduce delay and crosstalk between the nets. A dedicated routing scheme on two levels of metal was used (M3-M5 horizontal, M2-M4 vertical), with trace widths of 300nm and spacing of 1.1μm. Additional shielding was used for clock nets running at twice the datarate. Crossings with minimum-width unrelated wires on the interposer showed very little

impact on crosstalk or delays in the signal, and were therefore allowed on the other interposer metal levels.

Point-to-point connection between two adjacent 3D-Plugs was measured at 1.25 GHz, with a latency of 7.2 ns. Most of this latency is due to the clock-domain crossings in 3D-Plugs.

For large applications, nevertheless, L1-L2 cache coherence traffic needs to extend farther than between adjacent chiplets. In that case, pipelining and routing is handled by the intermediate chiplets. The main advantage in this case is that this is done using the advanced technology node in the chiplets, which has better performance and lower power consumption than the interposer does. However, the major drawback is the accumulation of pipeline and clock-domain crossings, which adds extra latency for distant L1-L2 traffic.

The 2D NoC frequency in the chiplet runs at 1 GHz, but the one-way latency from the source 3D-Plug to the destination 3D-Plug can be as high as 44 cycles on the longest path from chiplet 00 to chiplet 12, with two intermediate chiplets, five routers and 8 to 10 FIFO stages between routers. Nevertheless, this solution is very energy efficient with only 0.15pJ/bit/mm.

C. L2-L3 cache interconnect

Fig. 18b presents the second level of cache interconnect between distributed L2 and L3 caches (N2 NoC). The main performance target is in this case to offer low latency long reach communication. For this purpose, it was chosen to implement it in fully asynchronous logic on the interposer, using the ANoC quasi-delay-insensitive network-on-chip [37]. This allows for only two synchronous/asynchronous conversions on an end-to-end path, to save on clock-domain-crossing latency. Deep-pipelining on the ANoC allows to insert an asynchronous pipeline stage every 500μm to preserve throughput with almost no impact on the latency compared to inverter-based buffering.

The asynchronous 3D-Plug in two-phase mode allows an injection rate in the network for 72-bit data words up to 520 MHz, while the 2D NoC is able to sustain up to 0.97 GHz on every link, which limits the in-network contention of overlapping network paths. The efficient asynchronous pipelining allows an end-to-end latency on the synchronous interfaces of the 3D-Plugs of only 15.2 ns, with 4 clock cycles and 11.2 ns of asynchronous latency across 4 routers and 25mm of pipelined links.

D. L3-ExtMemory Interconnect

Fig. 18c presents the last interconnect between the distributed L3 caches and the external memory (N3 NoC).

TABLE IV: COMPARATIVE PERFORMANCE OF SYSTEM INTERCONNECTS IN INTACT

	L1-L2 nearest	L1-L2 farthest	L2-L3 4-phase	L2-L3 2-phase	L3-EXT-MEM	3DNOC [36]	Units
Reach	1.5	15	25 (bottom left chiplet to upper right chiplet)			8	mm
Word size	40		72			32	bits
Interposer	1 passive link	3 passive links	Active async. routing	Active async. routing	Active sync. routing	Active async. Routing	—
Chiplet	—	Global sync. routing	Local sync. routing	Local sync. routing	Local sync. routing		—
3D Plug frequency	1.25	1.25	0.30	0.52	1.21	0.32	GHz
2D NoC frequency	—	1.00	0.97		0.75	0.89	GHz
End to end latency	2x4+[0-1]	44	4 + async.	4 + async.	37	4 + async	Cycles
	7.2	44.0	15.2	15.2	49.5	10	ns
Propagation speed	4.8	2.9	0.6	0.6	2.0	1.2	ns/mm
Energy / bit / mm	0.29	0.15	0.52	0.52	0.24	0.5	pJ/bit/mm

Considering the intrinsic contention of this last level of cache traffic, and the longer latency for paginated access to the external memory, the focus was put on energy efficiency, then on low latency. This interconnect is implemented as a global synchronous NoC, with clock-domain crossings at the source 3D-Plug and in the memory IO interface. Two-stage FIFOs are inserted every 1mm, and tight clock-tree balancing was performed to increase the throughput. This results in a 72-bit synchronous network running up to 750MHz, with a latency of 2ns/mm, for a good energy efficiency of 0.24pJ/bit/mm.

E. System Interconnect comparison and conclusions

Table IV summarizes the different figures of merit for the three interconnects, and provides a benchmark with respect to the 3D NoC in [36]. It shows that neighboring connections can be efficiently made using the synchronous 3D-Plug in an advanced technology node, with a high throughput and a low power consumption. For longer-range communication, limiting the number of clock-domain crossings is key for performance. The networks on chip in the active interposer can provide wide interconnects optimized for latency in the asynchronous version, with 0.6ns/mm, or for power consumption in the synchronous version, with 0.24pJ/bit/mm, with performance metrics twice as good as [36] in the same 65nm technology node as the active interposer.

The achieved low level interconnect performances could be used for a more systematic system level study, such as [19], by trading off different traffic classes, latency, and energy, thanks to the extended active interposer traffic capabilities.

VIII. ACTIVE INTERPOSER TESTABILITY AND 3D DESIGN-FOR-TEST ARCHITECTURE

A. Testability Challenges

With such 3D active interposer, testability is raising various challenges. First, it is required to ensure Know Good Die (KGD) sorting to achieve high system yield [10]. This implies that the 3D test architecture must enable EWS test of the chiplet and the interposer (pre-bond test, before 3D assembly), and final test (post-bond, after 3D assembly in the circuit package). Moreover, due to fine pitch μ -bumps, reduced test access is observed, μ -bumps cannot be directly probed in test mode. This implies to include additional IO pads, which are only used for test purpose, and not in functional mode (see Fig. 19).

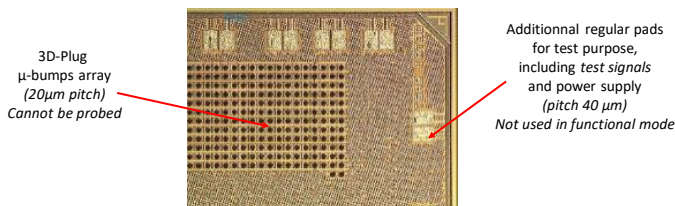


Fig. 19. Chiplet layout (zoom), with 3D-Plug interface and additional test pads

Finally, with 3D technologies, additional defects may be encountered, such as μ -bumps misalignments, TSV pinhole, shorts, etc. which lead to specific care for testing the 3D objects and interfaces. Another concern is also regarding the Automatic Test Pattern Generation (ATPG) engineering effort, where easy

re-targeting of test patterns from pre-bond test to post-bond test should be proposed to reduce test development efforts.

Numerous researchers have addressed specific test solutions for 3D defaults, see for instance [40][41], for testing generic 3D architectures using die wrappers and elevators [42], and for testing 2.5D passive interposers [43]. A standardization initiative on 3D testability has emerged with the recent IEEE 1838 standard [44]. Nevertheless, no work addressed initially the testability of active interposers.

B. 3D Design-for-Test Architecture

Within the INTACT architecture, the test of the 3D system must address the test of all the following elements: i) the regular standard-cell based logic, ii) all memories using BIST engines and Repair, iii) the distributed 3D interconnects and IOs: 3D connections of active links and passive links, which are implemented by micro-bumps, and finally iv) the regular package IO pads for off-chip communication through the TSVs.

In order to test the Active Interposer and its associated chiplets, the proposed 3D Design-for-Test architecture (Fig. 20) is based on the two following main Test Access Mechanisms (TAMs), as proposed earlier in [45]:

- A JTAG IEEE1687 hierarchical and configurable chain, accessed by a primary JTAG TAP port, for testing all the interconnects and memories, based on the concept of “chiplet footprint”,
- A Full Scan logic network using compression logic, for reduction of test time and of number of test IOs.

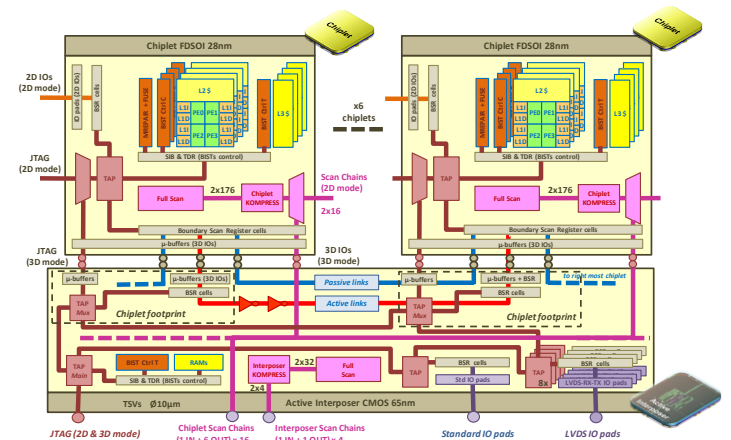


Fig. 20. 3D Design-for-Test architecture for INTACT, overview and detailed

By using JTAG IEEE 1687, the JTAG chain is hierarchical and fully configurable: the JTAG chain provides dynamic access to any embedded test engines. The active interposer JTAG chain is designed similarly to a chain of TAPs on a PCB board. It is composed of “chiplet footprints”, which provide either access to the above 3D-stacked chiplet or to the next chiplet interface, and which are chained serially. The JTAG passive network is used to test and control the 3D active links, the 3D passive links, the off-chip interfaces, and the embedded test engines, such as the memory BISTs.

The Full Scan logic network offers efficient and parallel full scan test of the whole 3D system logic. In order to reduce the number of 3D parallel ports, compression logic is used in both the chiplets and the active interposer, with a classical tradeoff

(shift time/pin count). Independent scan paths are used between the chiplets and the active interposer, to facilitate the test architecture integration.

C. Test CAD Flow and Test coverage

The proposed 3D Design-for-Test architecture has been designed and inserted using Tessent™ tools from Mentor, a Siemens Business. By using IJTAG and IEEE1687, high level languages such as “Instrument Connectivity Language” (ICL) and “Procedural Description Language” (PDL) are provided and enable to handle the complexity of such a system. In particular, it is possible to fully-automate the test pattern generation of Memory BIST engines, from ATPG at chiplet level to ATPG of the same patterns within the full 3D system, enabling so-called test pattern retargeting. As presented in Table V, full testability is achieved for all logic, 3D interconnects and regular package IOs, and memory BIST engines, before 3D assembly and after 3D assembly.

Using the proposed DFT architecture & test patterns, the full system was tested using an Automated Test Equipment (ATE):

- The 28nm chiplet has been tested at wafer level using a dedicated probe card, with a binning strategy.
- The active interposer has not been tested at wafer level, supposing the maturity of the 65nm technology and its high yield due to its low complexity (see section IV.B). Nevertheless, its standalone DFT and dedicated IOs were initially planned and designed as mentioned above.
- The full INTACT circuit, after 3D assembly and packaging, has been tested within a dedicated package socket.

TABLE V: INTACT DESIGN-FOR-TEST RESULTS

DFT access	Active Interposer 65nm	Chiplet FDSOI 28nm	Full 3D System
Full Scan	32 scan chains, 4 after compression, #faults 5.7M, Test cov. ~60%**, 1318 patterns	182 scan chains, 16 after compression, #faults 21.5M, Test cov. 97.1%, 1790 patterns	#faults 134.8M Test cov. 95.5%
IJTAG + Interco. Boundary Scan	All IO pads pre-bond 2D pads (826) 3D IO (13 548) 81 patterns	All IO pads pre-bond 2D pads (249) 3D IO (2 258) 68 patterns	3D IO pads post-bond (13 548) 27 patterns
BIST & Repair	#BIST: 1 12 patterns / BIST	#BIST: 5 20 patterns / BIST	#BIST: 31 612 patterns

** Limited test coverage is reported by the tool within the interposer, this is due to the asynchronous NoC that can be tested using a dedicated test solution not reported here

IX. THERMAL CHALLENGES AND STRATEGY

A. Thermal Challenges

In 3D technology, thermal dissipation is a challenge that needs to be properly addressed. Due to more integration in a smaller volume, a larger power density is usually observed in 3D, while the thermal dissipation itself is getting more complex in the overall 3D stack of the circuit and package, overall leading to thermal hotspots or even thermal runaway [52]. In the generic context of logic-on-logic stacking, thermal dissipation is worse because multiple layers of compute dies need to dissipate their heat on top of themselves. On the contrary, in the case of interposer based systems, a single layer of chiplets is dissipating heat, while heat extraction can be

performed from the top package face, similarly to a regular flip-chip packaged circuit. Nevertheless, contrarily to passive interposers, in the case of an active interposer, the bottom layer is also part of the power budget, and dissipates heat as well. Since the power budget of the active interposer layer is rather limited, with most power budget within the chiplets, this should help the overall thermal dissipation.

Finally, due to the heterogeneous structure of such a 3D stack, many materials are composing the device, with silicon substrate, Back-End of Line (BEOL) in copper, underfill composite materials between the chiplets and interposer, micro-bumps (SnAg), TSVs (copper), etc. This assembly leads to strong anisotropic thermal effects, favoring and increasing thermal hotspots effects. Moreover, due to the thin layer effect of the interposer (100µm), the horizontal thermal dissipation is reduced in the interposer, while it remains mostly the vertical thermal dissipation through the chiplets. These various thermal effects have been widely studied in the literature [53][54], and need to be taken into account in the full system.

B. Thermal modeling strategy

With all the 3D thermal challenges: increased power density and design complexity on the design side, fine grain material effects on the technology side, coupled to the regular package and board thermal information, an accurate thermal exploration must be performed with the adequate thermal methodology. Various thermal tools are available: either circuit level tools able to cope with detailed circuit and technology description but with simple packaging condition, or package level tools able to cope with detailed packaging, but with reduced die and technology information. In order to achieve an accurate thermal exploration covering all modeling aspects, the Project Sahara solution, a thermal analysis prototype from Mentor Graphics a Siemens Business, was selected [55].

As presented Fig. 21, an adequate thermal methodology has been setup to allow modelling of low level structures (TSV, micro-bumps, underfill), with a design entry at GDS level and with accurate static or dynamic power maps, all this in the context of the full system (package and fan). The methodology has been qualified on a previous 3D logic-on-logic design with silicon thermal measurements [36]. More details of the thermal methodology can be found in [56].

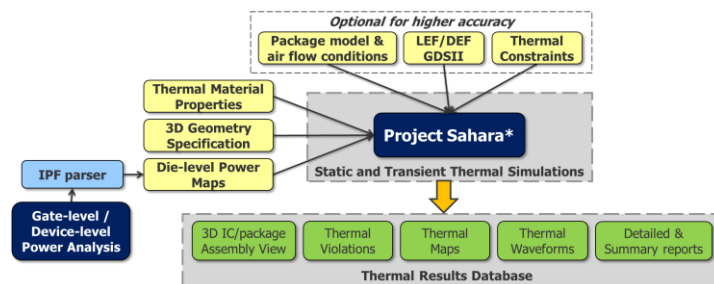


Fig. 21. 3D chip-package thermal flow, from early exploration to sign-off.

C. Thermal simulation results.

The INTACT circuit and package has been modelled, as presented Fig. 22 with a detailed cross-section of the 3D circuit. In terms of power budget, a scenario with a maximum static

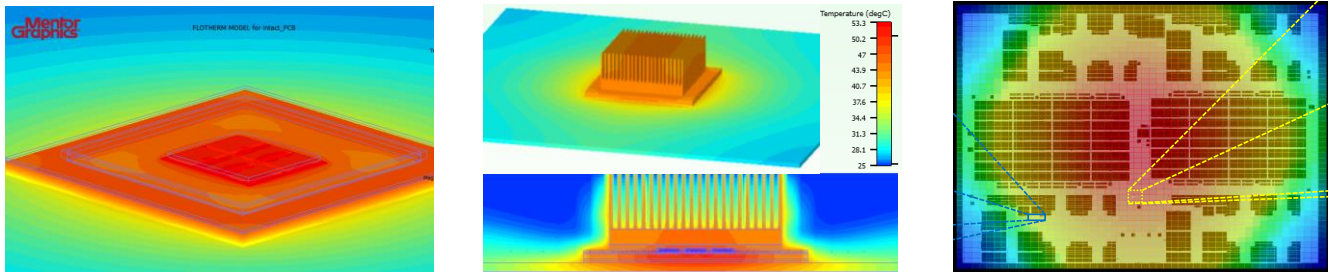


Fig. 23 : a) Package temperature (without Heat Sink) Peak temperature = ~150°C b) Package temperature (with Heat Sink & Fan) Peak temperature = ~53°C c) Chiplet thermal map Peak temperature = ~55°C

power budget of 28 Watts is simulated, corresponding to a worst-case situation of 3 Watts per chiplet (x6) and 10 Watts in the active interposer, while the nominal circuit power budget is 17 Watts as presented in section X.B.

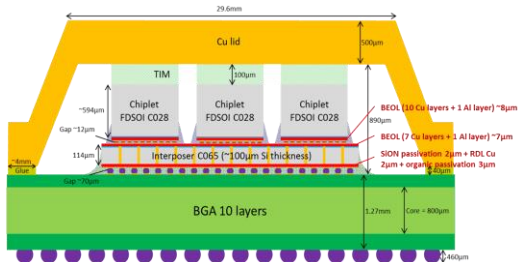


Fig. 22. INTACT circuit and package cross section used for thermal modelling.

As a result, Fig. 23 shows the thermal exploration, without Heat Sink (max temperature 150°C), with a regular Heat Sink & Fan (max temperature 53°C), while no hotspots appear within the computing chiplet. Even for this worst-case scenario, due to a still limited power density of 0.14W/mm², the thermal dissipation of the active interposer can be achieved using a regular heatsink and fan.

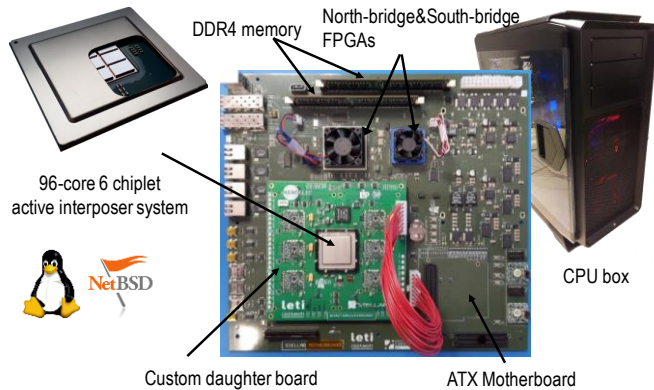


Fig. 24. Development board fitting in a standard PC case

X. OVERALL CIRCUIT RESULTS

As shown in Fig. 24, a complete development board has been designed for measurement and application evaluations including running Linux on the chip. The board features two FPGAs with a 2x16 GB 64-bit DDR4 memory and various peripherals: 8x PCIe Gen3, SATA, 1Gb Ethernet, 10Gb Ethernet, HDMI, USB, SD-Card and UART. The demonstration board also features a power infrastructure with voltage and current sensing. Each FPGA is connected to 2 of the 4 LVDS links of the chip.

A. Circuit Performances

The chiplet is functional in the 0.5V–1.3V range with Forward Body Biasing (FBB) [46] up to ±2V. Fig. 25.a shows that a core frequency of 1.15 GHz is achieved @ 1.3V with 0/+1 (VDD_S/GNDS) FBB. Single core performance is 2.47 Coremark/MHz and 1.23 DMIPS/MHz. At chip level, maximum energy efficiency is 9.6 GOPs/Watt on Coremark benchmarks (IPC=0.8/core) @ 0.6V taking into account voltage regulation losses in the interposer as shown in Fig. 25.c. As expected, FBB boosts performance: in typical @ 0.9V, a frequency increase of 24% is achieved with -1/+1 FBB, while in typical @ 680MHz, an energy efficiency increase of 15% is achieved with asymmetric 0/+1 FBB.

B. Circuit Power budget and energy efficiency

In Fig. 25.b and Fig. 25.c we show overall chip power and performance measurements with a 0/+1 FBB. Power consumption and energy efficiency while running Coremark benchmark is compared to a theoretical system using a digital LDO instead of the proposed fully integrated SCVR. Using an LDO at the same V_{IN} = 2.5V would result in a 2x increase in power consumption, a lower V_{IN} would be needed to limit losses at the expense of more power pins and voltage-drop issues.

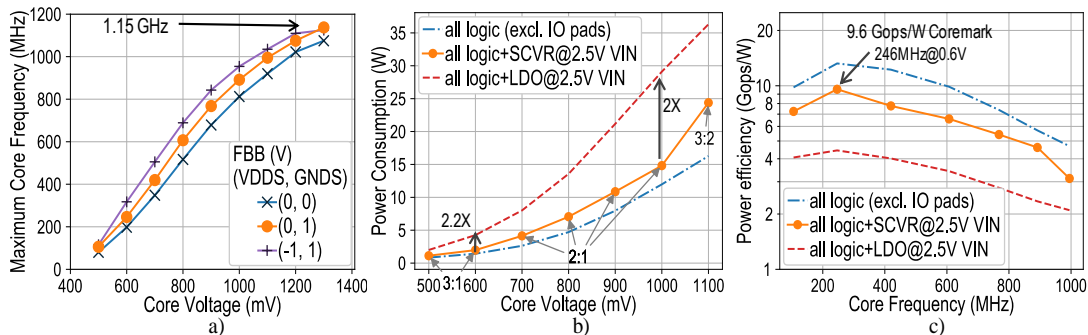


Fig. 25. a) Maximum core frequency, b) Power consumption at Fmax (FBB=(0,1)), c) Power efficiency at Vmin

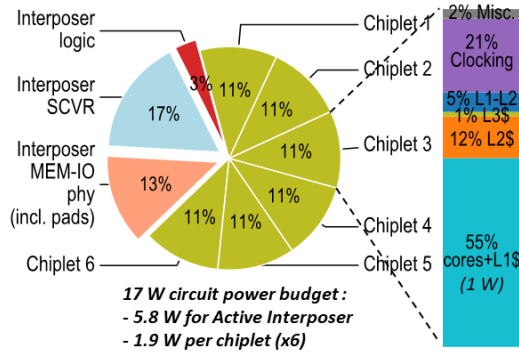


Fig. 26. Power consumption breakdown, cores operating @ 1V, 900MHz

The power breakdown in Fig. 26 shows the low power budget of the active interposer with only 3% of total power consumed by the active interposer logic. The cores+L1\$ represent over half the power consumption of the chiplets, themselves consuming the majority of the measured circuit power (17 Watts).

C. Circuit Scalability

Lastly, Fig. 27 shows the scalability of the cache-coherent architecture that is analyzed by running a 4 Mpixels image filtering application from 1 to 512 cores. The filter is composed of a 1D convolution, followed by a transposition of the image and ends with another 1D convolution. Software synchronization barriers separate these steps and the transposition, in particular, involves many memory transfers.

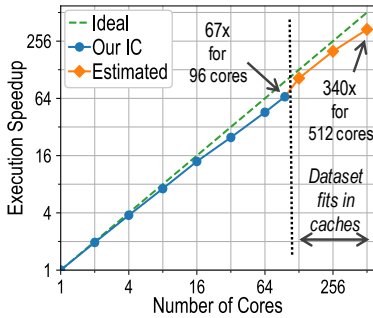


Fig. 27. Execution speedup up to 512 cores

Results for more than 96 cores were obtained by RTL simulation with additional chiplets. Software is executed on a single cluster up to 4 cores and on a single chiplet up to 16 cores. Compared to a single core execution, a 67x execution-time speedup is obtained with 96 cores and 340x with 512 cores. The slight uptick above 128 cores results from the threshold where the dataset fits in caches. This quasi-linear speedup, ignoring limitations of the external memory bandwidth, shows the scalability of network protocols and their 3D implementations.

D. Comparison to prior art

Compared to prior art (Table VI), the INTACT circuit is the first CMOS active interposer validated on silicon, which offers a chiplet-based many-core architecture for high performance computing. The active interposer solution allows for integrated voltage regulators without any external passives, using free die area available in the active interposer, offering DVFS-per-chiplet and achieving 156 mW/mm² at 82% peak power efficiency, with 10-50% more efficiency with respect to LDO converters integrated in organic schemes. The SCVR is also fault tolerant to mitigate the effect of defective unit cells on the overall power efficiency.

Regarding interconnects, contrary to previous point-to-point solutions, the active interposer offers flexible and distributed NoC meshes enabling any chiplet-to-chiplet communication for scalable cache-coherency traffic, with 0.6 ns/mm inter-chiplet latency using asynchronous signaling within the interposer, and a 0.59 pJ/bit synchronous 3D-Plug energy efficiency with 3 Tb/s/mm² bandwidth density, which is twice better than previous circuits.

The overall system integrates a total of 96-cores, in 6-chiplets, offering a peak computing power of 220 GOPs (peak mult-acc), which is quite comparable to advanced state of the art processor systems. Finally, the overall distributed interconnects and cache coherency memory architecture are scalable up to 896 cores, showing the architecture partitioning capability to target larger computing scale.

TABLE VI: STATE OF THE ART COMPARISON

		<i>This work</i>	[31] ISSCC'18	[4,15] ISSCC'18&20	[5] VLSI'19	[6] ISSCC'17	Units
Technology	Chiplet Technology	FDSOI 28nm	INTEL FinFET 14nm	AMD FinFET 14nm/7nm	TSMC FinFET 7nm	INTEL FinFET 14nm	
	Interposer Technology	Active CMOS 65nm	no	MCM substrate	Passive CoWoS @	EMIB bridge	
	Interposer extra features	yes	N/A	no / IO die	no	no	
	Total system yield	high (mature tech. & low transistor count)	N/A	high	high	high	
	Die-to-Die μbump pitch	20	N/A	> 100	40	55	μm
Power	Voltage Regulator (VR) type	6 SCVR on interposer with MOS+MOM+MIM	on-chip distributed SCVR with MIM	LDO per core, with MIM	no	no	
	VR area	34% of active interposer	MIM>40% core area	-	N/A	N/A	
	VR peak efficiency	82%	72%	LDO limited	N/A	N/A	
Interconnect	Interconnect types	Distributed scalable cache-coherent NoCs	N/A	Scalable Data Fabric (SDF)	LIPINCON™ links	AIB interconnect	
	3D Plug power efficiency	0.59	N/A	2.0	0.56	1.2	pJ/bit
	BW density	3.0	N/A	-	1.6	1.5	Tb/s/mm ²
	Aggregate 3D bandwidth	527	N/A	-	640	504	GByte/s
CPU	Number of chiplets	6	1	1 - 4 / 1 - 8	2	1 FPGA + 6 TxRx	
	Number of cores	96	18	8 - 32 / 8 - 64	8	FPGA fabric	
	Max Frequency	1.15	0.4	4.1 / 4.7	4	1	GHz
	Gops (32b-Integer)	220 (peak mult./acc.)	14.4	131.2 - 1203	128	N/A	Gop/s

XI. CONCLUSION

The presented *Active* interposer leverages the 3D integration benefits by offering a baseline of functionalities such as voltage delivery, chiplet-to-chiplet communications, IOs, shared by most of computing assemblies. The active interposer allows a flexible assembly with common functionalities while maintaining the yield management benefits. For this reduced power density and budget, thermal dissipation is not an issue within the active interposer, as for a regular passive interposer.

3D integration and Active Interposer open the way towards efficient integration of large-scale chiplet-based computing systems. Such scheme can be applied for integration of similar chiplets as presented in this paper, but also for smooth integration of heterogeneous computing chiplets [47].

ACKNOWLEDGMENT

The authors would like to thank STMicroelectronics and Didier Campos team for INTACT package design and assembly, PRESTO Engineering and Brice Grisolle for testing the INTACT circuit onto Automatic Test Equipement, Easii-IC and Jean-Paul Goglio and his team for designing the INTACT application demonstration board. Finally, the authors would like to thank many other contributors from Mentor Graphics on the CAD tool teams and from CEA-LETI on both the design team and technology teams for their dedication to make this concept and circuit a successful realization.

REFERENCES

- [1] G. Agosta, "Challenges in Deeply Heterogeneous High Performance Systems", 22nd Euromicro Conference on Digital System Design (DSD), DSD'2019.
- [2] Handbook of 3D Integration, Volume 1: Technology and Applications of 3D, editor Peter Ramm, 2008.
- [3] Ming-Fa Chen, Fang-Cheng Chen, Wen-Chih Chiou, Doug C.H. Yu, "System on Integrated Chips (SoIC(TM) for 3D Heterogeneous Integration, IEEE 69th Electronic Components and Technology Conference (ECTC), ECTC'2019.
- [4] N. Beck et al., "Zeppelin: An SoC for Multichip Architectures", ISSCC Dig. Tech. Papers, pp. 40-41, Feb 2018.
- [5] Mu-Shan Lin et al., "A 7nm 4GHz Arm®-core-based CoWoS® Chiplet Design for High Performance Computing", Symposium on VLSI circuits, June 2019.
- [6] David Greenhill et al., "A 14nm 1GHz FPGA with 2.5D Transceiver Integration", ISSCC Dig. Tech. Papers, pp. 54-55, Feb 2017.
- [7] Puneet Gupta, Subramanian S. Iyer, « Goodbye, motherboard. Bare chiplets bonded to silicon will make computers smaller and more powerful: Hello, silicon-interconnect fabric", IEEE Spectrum, Year: 2019, Volume: 56, Issue: 10.
- [8] CHIPS program, <https://www.darpa.mil/program/common-heterogeneous-integration-and-ip-reuse-strategies>
- [9] <https://spectrum.ieee.org/semiconductors/processors/3-ways-chiplets-are-remaking-processors>
- [10] James Quinne, Barbara Loferer, "Quality in 3D assembly — Is "Known Good Die" good enough?", IEEE International 3D Systems Integration Conference (3DIC), 3DIC'2013.
- [11] Kyomin Sohn, "A 1.2V 20nm 307Gb/s HBM DRAM with at-speed wafer-level I/O test scheme and adaptive refresh considering temperature distribution", IEEE International Solid- State Circuits Conference - (ISSCC), pp. 316-317, 2016.
- [12] Tony F. Wu et al., "14.3 A 43pJ/Cycle Non-Volatile Microcontroller with 4.7μs Shutdown/Wake-up Integrating 2.3-bit/Cell Resistive RAM and Resilience Techniques", IEEE International Solid- State Circuits Conference - (ISSCC), 2019.
- [13] A. Jouve, L. Sanchez, C. Castan, N. Bresson, F. Fournel, N. Raynaud, P. Metzger, "Die to Wafer Direct Hybrid Bonding Demonstration with High Alignment Accuracy and Electrical Yields", International 3D Systems Integration Conference (3DIC), 2019.
- [14] Open Compute ODSA project, <https://www.opencompute.org/wiki/Server/ODSA>
- [15] Samuel Naffziger et al., "AMD Chiplet Architecture for High-Performance Server and Desktop Products", ISSCC Dig. Tech. Papers, Feb 2020.
- [16] Wilfred Gomes, "Lakefield and Mobility Compute: A 3D Stacked 10nm and 22FFL Hybrid Processor System in 12x12mm2, 1mm Package-on-Package", ISSCC Dig. Tech. Papers, Feb 2020.
- [17] G. Hellings et al., "Active-Lite Interposer for 2.5 & 3D Integration", 2015 Symposia on VLSI Technology and Circuits (VLSI'15),
- [18] S. Chéramy et al., "The active-interposer concept for high-performance chip-to-chip connections", Chip Scale Review, June 2014.
- [19] Jieming Yin, Zhifeng Lin, Onur Kayiran, Matthew Poremba, Muhammad Shoab Bin Altaf, Natalie Enright Jerger, Gabriel H. Loh, "Modular Routing Design for Chiplet-Based Systems", Proceedings of the ACM/IEEE 45th Annual International Symposium on Computer Architecture (ISCA), ISCA'2018.
- [20] Vasil Pano et al., "3D NoCs with active interposer for multi-die systems", Proceedings of the 13th IEEE/ACM International Symposium on Networks-on-Chip, NOCS'2019, Article No.: 14 Pages 1–8.
- [21] P. Vivet et al., "A 220GOPS 96-Core Processor with 6 Chiplets 3D-Stacked on an Active Interposer Offering 0.6ns/mm Latency, 3Tb/s/mm2 Inter-Chiplet Interconnects and 156mW/mm2@ 82%-Peak-Efficiency DC-DC Converters", 2020 IEEE International Solid- State Circuits Conference - (ISSCC).
- [22] D. Gitlin, M. Vinet, S. Chéramy, H. Metras, O. Faynot, T. Signamarcheix, J. R. Lequepeys, "Generalized cost model for 3D systems", 2017 IEEE SOI-3D-Subthreshold Microelectronics Technology Unified Conference (S3S).
- [23] P. Coudrain et al., "Active Interposer Technology for Chiplet-Based Advanced 3D System Architectures", 2019 IEEE 69th Electronic Components and Technology Conference (ECTC).
- [24] E. Guthmuller et al., "A 29 Gops/W[31][10]att 3D-Ready 16-Core Computing Fabric with Scalable Cache Coherent Architecture Using Distributed L2 and Adaptive L3 Caches", ESSCIRC'2018, Sept 2018.
- [25] J. Dumas, E. Guthmuller and F. Pétrot, "Dynamic Coherent Cluster: A Scalable Sharing Set Management Approach," 2018 IEEE 29th International Conference on Application-specific Systems, Architectures and Processors (ASAP), Milan, 2018, pp. 1-8.
- [26] J. Dumas, E. Guthmuller, C. F. Tortolero and F. Pétrot, "Trace-driven exploration of sharing set management strategies for cache coherence in manycores," 2017 15th IEEE International New Circuits and Systems Conference (NEWCAS), Strasbourg, 2017, pp. 77-80.
- [27] Y. Fu, T. M. Nguyen and D. Wentzlaff, "Coherence domain restriction on large scale systems," in International Symposium on Microarchitecture. ACM, 2015, pp. 686–698.
- [28] E. Guthmuller, I. Miro-Panades and A. Greiner, "Adaptive Stackable 3D Cache Architecture for Manycores," 2012 IEEE Computer Society Annual Symposium on VLSI, Amherst, MA, 2012, pp. 39-44.
- [29] E. Guthmuller, I. Miro-Panades and A. Greiner, "Architectural exploration of a fine-grained 3D cache for high performance in a manycore context," 2013 IFIP/IEEE 21st International Conference on Very Large Scale Integration (VLSI-SoC), Istanbul, 2013, pp. 302-307.
- [30] I. Miro-Panades, E. Beigne, O. Billoint and Y. Thonnart, "In-situ Fmax/Vmin tracking for energy efficiency and reliability optimization," 2017 IEEE 23rd International Symposium on On-Line Testing and Robust System Design (IOLTS), Thessaloniki, 2017, pp. 96-99.
- [31] P. Meinerzhagen et al., "An energy-efficient graphics processor featuring fine-grain DVFS with integrated voltage regulators, execution-unit turbo, and retentive sleep in 14nm tri-gate CMOS," ISSCC Dig. Tech. Papers, Feb. 2018.
- [32] I. Bukreyev et al., "Four Monolithically Integrated Switched-Capacitor DC-DC Converters With Dynamic Capacitance Sharing in 65-nm CMOS," IEEE Trans. on Circuits and Systems I, vol. PP, no. 99, pp. 1–13, 2017.
- [33] H. Meyvaert et al., "A 1.65W fully integrated 90nm Bulk CMOS Intrinsic Charge Recycling capacitive DC-DC converter: Design amp; techniques for high power density," in 2011 IEEE Energy Conversion Congress and Exposition, Sep. 2011, pp. 3234–3241.
- [34] T. M. Andersen et al., "A 10 W On-Chip Switched Capacitor Voltage Regulator With Feedforward Regulation Capability for Granular Microprocessor Power Delivery," IEEE Transactions on Power Electronics, vol. 32, no. 1, pp. 378–393, Jan. 2017.

- [35] T. Souvignet et al., "A Fully Integrated Switched-Capacitor Regulator With Frequency Modulation Control in 28-nm FDSOI," *IEEE Transactions on Power Electronics*, vol. 31, no. 7, pp. 4984–4994, Jul. 2016.
- [36] P. Vivet et al., "A 4x4x2 Homogeneous Scalable 3D Network-on-Chip Circuit with 326 MFlit/s 0.66 pJ/bit Robust and Fault Tolerant Asynchronous 3D links", *IEEE Journal of Solid-State Circuits*, Year: 2016, Volume: pp, Issue: 99, Pages: 1 - 17, DOI: 10.1109/JSSC.2016.2611497.
- [37] Y. Thonnart, P. Vivet, S. Agarwal, R. Chauhan, "Latency Improvement of an Industrial SoC System Interconnect using an Asynchronous NoC Backbone", *ASYNC'2019*, Hiroasaki, Japan, May 2019.
- [38] J. Hilgemberg Pontes, P. Vivet, Y. Thonnart, "Two-phase Protocol Converters for 3D Asynchronous 1-of-n Data Links", *ASP-DAC'15*, Tokyo, Japan, January 2015.
- [39] S. M. Nowick, M. Singh, "Asynchronous Design—Part 1: Overview and Recent Advances", *IEEE Design & Test*, Year: 2015, Volume: 32, Issue: 3
- [40] R. P. Reddy, A. Acharyya and S. Khursheed, "A Cost-Aware Framework for Lifetime Reliability of TSV based 3D-IC design", *IEEE Transactions on Circuits and Systems II: Express Briefs*, 2020, 1. doi:10.1109/tcsii.2020.2970724
- [41] C. Metzler, A. Todri-Sanial, A. Bosio, L. Dilillo, P. Girard, A. Virazel, P. Vivet, M. Belleville, "Computing Detection Probability of Delay Defects in Signal Line TSVs," *IEEE European Test Symposium (ETS)*, pp.1-6, 2013.
- [42] C. Papameletis, B. L. Keller, V. Chickermane, S. Hamdioui, E.J. Marinissen, "A DfT Architecture and Tool Flow for 3-D SICs with Test Data Compression, Embedded Cores, and Multiple Towers". *IEEE Design & Test* 32(4): 40-48 (2015).
- [43] S. Goel et al., "Test and debug strategy for TSMC CoWoS™ stacking process based heterogeneous 3D IC: A silicon case study", *IEEE International Test Conference (ITC)*, September 2013, DOI: 10.1109/TEST.2013.6651893
- [44] <http://grouper.ieee.org/groups/3Dtest/>
- [45] J. Durupt, P. Vivet, J. Schloeffel, "IJTAG supported 3D DFT using Chiplet-Footprints for testing Multi-Chips Active Interposer System", *European Test Symposium*, *IEEE European Test Symposium*, 2016.
- [46] E. Beigné et al., "A 460 MHz at 397 mV, 2.6 GHz at 1.3 V, 32 bits VLIW DSP Embedding F MAX Tracking," in *IEEE Journal of Solid-State Circuits*, vol. 50, no. 1, pp. 125-136, Jan. 2015.
- [47] P.-Y. Martinez et al., "ExaNoDe: combined integration of chiplets on active interposer with bare dice in a multi-chip-module for heterogeneous and scalable high performance compute nodes", *IEEE VLSI Conference, VLSI'2020*.
- [48] A. Olofsson, T. Nordström and Z. Ul-Abdin, Kickstarting "High-performance Energy-efficient Manycore Architectures with Epiphany", *48th Asilomar Conference on Signals, Systems and Computers*, 2014.
- [49] Herb Reiter, « Multi-Die IC Design Tutorial", *3D ASIP conference*, 2015.
- [50] https://www.mentor.com/products/ic_nanometer_design/verification-signoff/physical-verification/calibre-3dstack
- [51] www.zglue.com
- [52] C. Torregiani, B. Vandeveld, H. Oprins, E. Beyne, and I. D. Wolf, "Thermal analysis of hot spots in advanced 3D-stacked structures," in *Proc. 15th Int. Workshop Thermal Invest. ICs Syst. (THERMINIC)*, 2009.
- [53] T. R. Harris, P. Franzon, W. R. Davis, and L. Wang, "Thermal effects of heterogeneous interconnects on InP/GaN/Si diverse integrated circuits", in *Proc. IEEE Int. 3D Syst. Integr. Conf. (3DIC)*, 2014.
- [54] C. Santos, P. Vivet, J. P. Colonna, P. Coudrain, and R. Reis, "Thermal performance of 3D ICs: Analysis and alternatives," in *Proc. IEEE Int. 3D Syst. Integr. Conf. (3DIC)*, 2014.
- [55] Mentor Graphics, White Paper, "A Complete Guide to 3D Chip-Package Thermal Co-Design, 10 key considerations".
- [56] C. Santos, P. Vivet, L. Wang, M. White, A. Arriordaz, "Thermal Exploration and Sign-off analysis for advanced 3D integration", *Design Track, DAC'2017*.



Pascal Vivet received his PhD from Grenoble INPG in 2001, designing an asynchronous microprocessor. After 4 years within STMicroelectronics, he joined CEA-Leti in 2003 in the digital design lab. His research interests covers wide aspects of circuit and system level design, ranging from system integration, multi-core architecture, Network-on-Chip, energy efficient design, related CAD aspects, and in strong links with advanced technologies such as 3D, Non-Volatile-Memories, photonics. He was project leader on 3D circuit design from 2011 to 2018. He is currently Scientific Director of the Digital Systems and Integrated Circuits Division at CEA-LIST, a CEA institute. He has authored and co-authored more than 120 papers and holds several patents in the field of digital design. He is member of IEEE.



Eric Guthmuller graduated from Ecole Polytechnique and received the MS degree from Telecom Paris, France in 2009. He received his Ph.D in computer science from the University Pierre & Marie Curie (UPMC, Paris, France) in 2013. He joined the CEA-Leti as a full-time researcher until 2019, then within CEA-List. His main research interests include processor architectures and their memory hierarchy, in particular cache coherency for manycore and heterogeneous architectures.



Yvain Thonnart graduated from Ecole Polytechnique and received the MS degree from Telecom Paris, France in 2005. He joined the Technological Research Division of CEA, the French Alternative Energies and Atomic Energy Commission, within CEA-Leti until 2019, then within CEA-List. He is now senior expert on communication & synchronization in systems on chip, and scientific advisor for the mixed-signal lab. His main research interests include networks on chip, asynchronous logic, emerging technologies integration, interposers. He is a member of IEEE.



G. Pillonnet (M'05, SM'16) was born in Lyon, France, in 1981. He received his Master's degree in Electrical Engineering from CPE Lyon, France, in 2004, a PhD and habilitation degrees from INSA Lyon, France in 2007 and 2016, respectively. Following an early experience as analog designer in STMicroelectronics in 2008, he joined the University of Lyon in the Electrical Engineering department. During the 2011-12 academic year, he held a visiting researcher position at the University of California at Berkeley. Since 2013, he has been a full-time researcher at the CEA-LETI, a major French research institution. His research focuses on energy transfers in electronic devices such as power converters, audio amplifiers, energy-recovery logics, electromechanical transducers, harvesting electrical interfaces.



César Fuguet received a M.S. in system's engineering from the Universidad de Los Andes (ULA, Mérida, Venezuela) in 2012, a M.S. and his Ph.D. in computer science from the University Pierre & Marie Curie (UPMC, Paris, France) in 2012 and 2015, respectively. Following an experience at Kalray, he currently is a full-time researcher at the CEA-List, Grenoble, France. His main research interests are multicore processor architectures, cache coherency and heterogeneous architectures with accelerators for high performance computing.



Ivan MIRO-PANADES (M'17) received a M.S. in telecommunication engineering from the Technical University of Catalonia (UPC, Barcelona, Spain) in 2002, a M.S. and his Ph.D. in computer science from the University Pierre & Marie Curie (UPMC, Paris, France) in 2004 and 2008, respectively. Dr. MIRO-PANADES worked at Philips Research and ST Microelectronics before joining in 2008 CEA, Grenoble, France, where he is currently a Research Engineer in digital integrated circuits. His main research interests are Artificial Intelligence, Internet-of-Things, low-power architectures, energy-efficient systems, and Fmax/Vmin tracking methodologies.



Guillaume Moritz was born in France in 1987. He graduated from Telecom Physique Strasbourg in 2010 with a specialization in micro- and nano- electronics and the associated master. After finishing his internship at CEA-Leti, he joined Leti for 2 years. Then, as subcontractor from ATOS specialized in physical design, he hold different positions within LETI, working on various advanced projects, including two major 3D circuits. He joined Leti in 2019, where he is currently focusing on physical implementation of image sensors.



Jean Durupt graduated from Ecole Centrale de Lyon , Ecully, France, in 1990 with a specialization in micro-electronics. He joined the CEA in 2001 in the digital design lab. His main research interests are multicore processor architectures, circuit design and more specifically Design-for-Test and circuit testability, including testability of 3D architectures.



Christian Bernard received his engineering degree from Grenoble Polytechnical Institute in 1979. After 4 years within Thomson, he worked at Bull on mainframe HW design of CPU cores, multiprocessing and cache coherency aspects. He joined CEA-LETI, Grenoble, in 2001, in the digital design lab. He contributed in the design of large systems of the lab covering various domains: 4G mobile baseband, space mission dedicated hardware accelerators, and many-core architectures, including the integration of cache coherency in 3D many cores. He is now retired.



Didier Varreau was born in Dôle, France, in 1954. He received the Electronic higher technical diploma from Grenoble University, France, in 1975. In 1976, he joined CEA-LETI to develop instrumental electronic boards for medical and nuclear purpose. From 2003 to 2006 he worked on the FAUST project developing integrated synchronous IPs. Since 2006, he was in charge of physical implementation of low power energy efficient accelerators, then in 2010, he has been working on large multiprocessor system-on-chip, including large 3D systems. He is now retired.



Julian Pontes is graduated in Computer Engineering at UEPG Ponta Grossa/Brazil (2006). He holds a MSc. (2008) and a PhD (2012) in computer science from PUC-RS Porto Alegre/Brazil in collaboration with CEA-Leti in Grenoble/France. His PhD research work was focused on fault tolerance in asynchronous circuits and this work was extended as a PostDoc in CEA/Leti in Grenoble, with research contributions on 3D architecture and circuit design. He worked with System Integration at ARM Sheffield/UK and he currently works with CPU design at ARM Sophia Antipolis/France.



Sébastien Thuries has received his Master Degree in 2003 from Univ. of Montpellier and joined CEA/Leti in 2004 as a research engineer. He is leading the High-Density 3D architecture and design group at CEA-LETI including fine pitch 3D Stacking as well as Monolithic 3D (M3D). He has worked on and led several Digital ASIC developments for a set of application like 4G Digital Base Band, Complex Imagers, System on Chip, Mixed Signal RF over the last decade. He has been a pioneer in FDSOI digital design and back biasing capability. He leads the research team on new architecture and design paradigm raised by M3D-IC in order to optimize the full system to technology fields.



David Coriat received his M.Sc. degree for the University of Science of Montpellier, France, in 2012, and subsequently joined the CEA-LETI Minatec. He has worked on dynamic management of power and variability in MP-SoC architectures as well as power estimation techniques in large MP-SoC architectures. His research interests now lie in low power architectures and design.



Michel Harrand started his career in Matra Espace in 1980, where he designed automatic pilot systems for satellites. In 1985, he joined Thomson Semiconductors, where he designed numerous integrated circuits in the microprocessor, telecommunication, and mostly image compression fields, and lead a design team before being appointed Director of the embedded DRAM department in 1996. He joined CEA in 2006 to prepare the creation of Kalray, a start-up designing manycore processors, which he co-founded in 2008 as CTO. He joined back CEA end 2012 to explore the architecture, design and applications of new technologies as 2.5D integrated circuits, emerging non-volatile memories, and currently neural networks. He has served in the ISSCC TPC from 2001 to 2006, and holds more than 40 patents.



Denis Dutoit joined CEA in 2009, after working for STMicroelectronics and STEricsson. In CEA, he has been involved in System-on-a-Chip architecture for computing and 3D Integrated Circuit projects. After defining the CEA-Leti's roadmap of technologies and solutions for advanced computing, Denis Dutoit is now involved in European Projects in High Performance Computing as coordinator, project leader and SoC architect.



Didier Lattard was born in Saint Marcellin, France, in 1963. He received his Ph.D. degree in Microelectronics from the National Polytechnic Institute of Grenoble, France, in 1989. In 1990, he joined the CEA-Leti. He was involved in the design of image and baseband processing circuits as senior R&D engineer and project leader. From 2003 to 2014, he led projects in the field of NoC-

based telecom and high-performance computing applications. In 2014, he moved in technology department of CEA-Tech and was involved in 3D integration projects. Since 2020, he leads a team developing mixed-signal circuits and software tools for near memory computing, cybersecurity, IoT and telecom applications. He has published 60 papers in books, refereed journals and conferences. He holds 24 patents in the fields of baseband processing, NoC architectures and 3D integration.



Lucile Arnaud joined CEA-LETI in 1984. She first covered design and characterization of magnetic and electromagnetic passive devices. From 2007 to 2014, she was assigned at STMicroelectronics for interconnect reliability expertise of most advanced CMOS technology. Since 2014 she joined 3D-IC developments in LETI for technology expertise and projects

managing. The last 4 years, she managed internal and collaborative projects for 3D interconnects development with Cu-SiO₂ hybrid bonding technologies. She authored and co-authored more than 90 papers including some invited talks and tutorials in IEEE conferences.



Jean Charbonnier, (M'19), is graduated from National School of Physics of Grenoble in 2001 and obtained his Phd degree in crystallography from University Joseph Fourier of Grenoble in 2006. He joined the 3D wafer level packaging group of CEA-Leti in 2008. He has been working for more than 10 years in Through silicon vias, 3D interconnections and silicon interposers

technology. His research interests include High Performance computing, Silicon Photonics Interposer as well as cryo-packaging for Quantum architecture applications. He is currently in charge of coordinating the High Density 3D Integration group within the 3D Packaging Laboratory of CEA-Leti.



Perceval Coudrain received a M.S. degree in Materials Sciences from the University of Nantes, France, in 2001 and a PhD degree from Institut Supérieur de l'Aéronautique et de l'Espace in Toulouse, France, in 2009. He joined STMicroelectronics in 2002 and entered the advanced R&D group in 2005 where he was involved in the development of backside illumination and monolithic 3D integration for

CMOS image sensors. For ten years he has been focusing on 3D integration technologies including TSV and Cu-Cu hybrid bonding, and thermal management. He moved to CEA-Leti in 2018 where his research focuses on 3D integration, FanOut Wafer Level Packaging and embedded microfluidics.



Arnaud Garnier graduated from INSA de Lyon in 2004. He received his PhD in materials science in 2007 after studying the Smart Cut™ technology on GaN for 3 years in SOITEC. He then joined the CEA-LETI to work on wafer level packaging, with specific focus on wafer bonding, chip assembly, underfilling, 3D process integration and advanced packaging. He currently works as project leader mainly on fan-

out wafer level packaging technologies.



Frédéric Berger, born in 1973 in Grenoble. He got his BTS in Photonic Optical Engineering in 1993. He started his career as a technician in the maintenance of alarm systems, then fiber optic welders for telecommunications at Siemens / Corning. More attracted by research and development, he continues his activity in the Photonics team to develop and perfect optical amplifiers. In 2003, he joined CEA as a

technician in the packaging and assembly laboratory. In 2005, he participated with SET in the development of the first FC300 equipment for 3D assemblies based on microtubes for Infrared imagers. He used this technical background to carry out the assemblies of the 6 chiplets of the INTACT project.



Alain Gueugnot after obtaining a BTS in microtechnology joined the CEA-DAM in 1992 then the CEA-LETI at the DOPT in 2003 to work in the joint laboratory with SOFRADIR (Lynred) in the packaging. Then he set up means of morphological characterization and metallographic expertise of assemblies of components for infrared, lighting, imager and screen using profilometers, ionic and mechanical cross section for SEM imaging.



Alain Greiner is Professor at Université Pierre et Marie Curie (UPMC) in Paris, and associate professor at Ecole Polytechnique. He was the head of the Hardware Architecture department of the LIP6 laboratory from 1990 to 2010. He was the team leader of the public domain VLSI/CAD system ALLIANCE, and the technical coordinator of the SoCLib virtual prototyping platform, supported by the french Agence

Nationale pour la Recherche, and jointly developed by 6 industrial

companies and 10 academic laboratories. He is the chief architect of the scalable, shared memory, manycore TSAR architecture, and is presently working on scalable Operating Systems for those kind of machines.



Quentin L. Meunier received the diploma from the Ensimag school (Grenoble, France) in 2007 and a Ph.D. degree in Computer Science from Université de Grenoble (France) in 2010. Since 2011, he has been associate professor at Sorbonne Université, in the LIP6 laboratory (Paris, France). His research interests include manycore architectures and cache coherence, high-performance computing, and side-channel

attacks and counter-measures.



Alexis Farcy graduated in electronic engineering in 2000 from the "Institut des Sciences et Techniques de Grenoble", France, and was employed by STMicroelectronics (Crolles). From 2000 to 2007 he was among the Advanced Interconnects and Passive Components Module, focusing on interconnect performance analysis for advanced technology nodes, integration of advanced inductors and 3D capacitors in BEOL,

and high-frequency characterizations of low-k and high-k dielectrics. He received the PhD degree in Electronic, Optronic and Systems from the University of Savoie, France, in 2009. Since 2007 he works in the field of 3D integration on innovative technologies, processes and materials for 3D integration and performance assessment for Photonics and image sensors.



Alexandre Arriordaz is a Senior Product Engineering Manager for Calibre Design Solutions at Mentor, A Siemens Business. He is leading Product Management and Software Development teams located in Grenoble (France) focusing on Circuit Reliability & Verification product lines. In parallel to this activity, he is also a technical interface for various European projects dealing with R&D topics like 3D-IC or

Silicon Photonics. Prior to joining Mentor, Alexandre was a full-custom design engineer at Freescale Semiconductor (now NXP), working on advanced testchip/SRAM compiler developments. He holds a Masters degree in Electronics from the University de Nice-Sophia-Antipolis (France).



Séverine Chéramy holds an engineering degree having specialized in material science. She has spent over eight years at GEMALTO, a leading smart-card company developing technologies for secure solutions such as contactless smart cards & electronic passports. In 2008, she joined CEA-Leti as 3D project leader, and then as 3D Integration laboratory manager. This group

develops technology and integration for 3DIC, in strong relationship with 3D design, model and simulation teams. Since January 2017, she's responsible for 3DIC integration strategy and related business development. She is also director of the 3D project of ITR (Institute of Technological Research) Nanoelec.



Fabien Clermidy received his Ph'D degree and Thesis Supervisor degree from INPG, respectively in 1999 and 2010. In 2000, he joined the CEA-LIST in Paris, where he was involved in the design of an application-specific parallel computer. In 2003, he joined the CEA-LETI in Grenoble, in the digital circuit laboratory, where he led the design of various large many-core circuits. His research interest covers wide scope of digital systems : many-core architecture,

network-on-chip, energy efficient design, embedded systems, interaction with advanced technologies. He is currently at the head of Digital System and Circuit Division at CEA-LIST, a CEA institute. He has published more than 80 papers in international conferences and is author or co-author of 14 patents.