



HAL
open science

Characterization of a modular microfluidic photoionization detector

Gustavo Coelho Rezende, Stéphane Le Calvé, Jürgen Brandner, David
Newport

► **To cite this version:**

Gustavo Coelho Rezende, Stéphane Le Calvé, Jürgen Brandner, David Newport. Characterization of a modular microfluidic photoionization detector. *Sensors and Actuators B: Chemical*, 2020, 324 (9), pp.128667. 10.1016/j.snb.2020.128667. hal-03043631

HAL Id: hal-03043631

<https://hal.science/hal-03043631v1>

Submitted on 9 Dec 2020

HAL is a multi-disciplinary open access archive for the deposit and dissemination of scientific research documents, whether they are published or not. The documents may come from teaching and research institutions in France or abroad, or from public or private research centers.

L'archive ouverte pluridisciplinaire **HAL**, est destinée au dépôt et à la diffusion de documents scientifiques de niveau recherche, publiés ou non, émanant des établissements d'enseignement et de recherche français ou étrangers, des laboratoires publics ou privés.

CHARACTERIZATION OF A MODULAR MICROFLUIDIC PHOTOIONIZATION DETECTOR

Gustavo Coelho Rezende¹, Stéphane Le Calvé^{2,3}, Jürgen J. Brandner⁴, David Newport^{1*}

¹ Bernal Institute, School of Engineering, University of Limerick, V94 T9PX Limerick, Ireland.

² Institut de Chimie et Procédé pour l'Energie, l'Environnement et la Santé (ICPEES, UMR 7515 CNRS/Unistra), group of atmospheric physical chemistry, 25 rue Becquerel, 67087 Strasbourg Cedex 02, France.

³ In'Air Solutions, 25 rue Becquerel, 67000 Strasbourg, France.

⁴ Institute of Microstructure Technology (IMT), Karlsruhe Institute of Technology

ABSTRACT

Photoionization detectors with a small ionization chamber can contribute to overall gas analyser miniaturization. This work reports the characterization of a microfluidic photoionization detector prototype (μ PID) which is constructed to be modular for easy replacement of the components and maintenance. The device is fabricated by micromilling and electrical discharge machining, dispensing clean room fabrication techniques. The μ PID ionization chamber is a microchannel and four channel designs are presented and tested in experiments in order to evaluate the influence of the geometrical parameters on the detector performance. The chamber volumes of the channel designs range from 1.1 to 6.7 μ L. Experimental characterization of the prototype is performed when it is used without and with a portable gas chromatograph (GC) for volatile organic compounds (VOCs) analysis. When a sample of 100 ppm toluene is injected directly into the μ PID, it can generate a current signal up to ~ 4 nA. When used without a GC, the device showed a linear response for an injection of toluene gas concentrations ranging from 1 to 100 ppm. A combination of high illumination area and electrode area resulted in the highest signal in the μ PID with a detection limit of ~ 40 ppb of toluene. When integrated to the portable GC, the detection limit reached for toluene is ~ 140 ppb. The detection limit for toluene was further reduced to low ppb levels (~ 5 ppb) when a preconcentrator was integrated into the sampling loop of the portable GC.

Key words: Photoionization Detector, Miniaturization, Microfabrication, Gas Chromatography, VOC detection, Air Quality

1. Introduction

Indoor environments, where people spend close to 90 % of their time [1,2], can have Volatile Organic Compounds (VOCs) contaminating the air. VOCs are a class of carbon-containing chemicals with a high vapour pressure at ambient temperature. Those chemicals are released by varnishes, paints, solvents, cleaning materials, etc. In addition, outdoor VOCs emission from automobile or industrial waste can contribute to indoor pollution [3]. Many VOCs can cause health problems, including benzene, which is carcinogenic and has no safe recommended level of exposure [4,5]. Those facts raised the awareness of authorities in many countries, which issued regulations to limit the exposure to such chemicals [6,7].

Photoionization detectors (PIDs) can measure the presence of VOCs in air samples. They measure the photoionization current generated when the VOCs are hit by photons with larger energy than the molecule ionization potential [8]. The PID is a concentration sensitive detector, the current generated being proportional to the concentration of VOCs inside its ionization chamber [8]. The main

components of the detector are: 1) ionization source, which emits the high energy light to ionize the sample; 2) electrodes, which generate an electric field for the collection of the electrons and ions; 3) ionization chamber, which is where the gas sample flows through and is detected.

In order to identify the different VOCs present in air samples, the PID can be integrated to a gas chromatograph (GC). This type of gas analyser (GC-PID) can separate, identify and quantify different chemicals. Commercial GC-PIDs with low detection limit are still lab-based, slow, bulky and heavy [9–11]; therefore, not ideal to comply with the recent regulations demands which require portability and fast analysis. An efficient gas analyser with low resource consumption, improved robustness, high analysis speed, low cost, improved portability and low detection limit can be produced with miniaturization of the main GC components, including the detector.

An important part of the PID to be miniaturized is the ionization chamber, whose volume influences directly the response time. In addition, a small ionization chamber allows a reduction in the sample volume without depleting the signal intensity. With a smaller sample volume, at a constant sample flow rate, it is possible to have a faster analysis time and increase the autonomy of the carrier gas cylinder used with the GC-PID; thus, increasing the portability of the gas analyser. Commercial PIDs are not ideal for a miniaturized gas analyser since they have a large ionization chamber, with volumes ranging from 50 – 100 μL [12–16]. Some commercial PIDs can have small external size (20 mm) but they have an ionization chamber whose design is not optimized for integration into a portable gas analyser due to the presence of a membrane which can delay the fill time of the ionization chamber [14,17].

Recent developments in PID miniaturization produced devices with ionization chamber volume close to 1 μL [18–23]. The new designs used mostly lithography based fabrication techniques with silicon and glass as main materials. As an alternative to those fabrication techniques, Rezende *et al.* (2019) [24] proposed a μPID fabricated by micromilling and electrical discharge machining. The main features of this design were its relatively low prototyping cost, no need for clean room or photomasks for fabrication, and its modular construction, allowing easy replacement of the components and maintenance of the detector. The present work shows the characterization of the μPID previously described by Rezende *et al.* (2019) [24], including experiments without and with a portable GC. Four ionization chamber geometries shaped as microchannels are evaluated; the performance of the GC- μPID is investigated and compared to a commercial PID integrated to the same portable GC system. In addition, the μPID response is evaluated when a preconcentrator (PC) is integrated into the GC sampling loop.

2. Experimental Setup and Materials

2.1. Chemicals

Main chemicals used in the experiments are: 1) Nitrogen gas at 99.99 % purity; 2) Toluene gas mixture in nitrogen at 10 ppm and 100 ppm; 3) BTEX mixture with nitrogen as balance gas containing either 5 ppb or 10 ppm of benzene, toluene, ethylbenzene, o-xylene, m-xylene, p-xylene.

2.2. Microchannels designs

The μPID design tested for this work is detailed in Rezende *et al.* (2019) [24]. The ionization chamber of the μPID is a microchannel and Figure 1 shows the design of the four microchannel geometries used inside the detector (channel A, B, C and D). The channel designs presented have the objective to investigate the influence of channel geometry on the detector performance. Figure 2 presents the

geometrical parameters of the microchannel, which are: channel width (W), height (H), length (L), illumination area (A_i), electrode area (A_e) and ionization chamber volume (V_c).

In theory, the geometrical parameters influence the μ PID performance as following: 1) Width (W): equals the distance between the copper electrodes; therefore, it is inversely proportional to the electric field intensity, and consequently, to the detector sensitivity; 2) Height (H): shallow channels yield more uniform sample ionization, but less electrode area; 3) Length (L): for the microchannel design, the length influences the electrode area, illumination area and ionization chamber volume; 4) Electrode area (A_e): depends on the shape and the height of the microchannel and it is directly proportional to sensitivity; 5) Lamp illumination area (A_i): top surface of the channel illuminated by the UV lamp. Higher illumination area means more ionized molecules; and 6) Ionization chamber volume (V_c): volume of the microchannel from inlet to outlet. Large volumes can deplete the signal if the sample volume is small compared to the chamber volume (supplementary material S.4).

From channel A to B, the main objective is to evaluate the effect of width change, which modifies the illumination area and ionization chamber volume consequently, but keeps a constant electrode area. Channels B, C and D are designed to investigate the influence of increased illumination area and electrode area. Notice that the width of channel D is 400 μm instead of 500 μm (as in channel B and C), this was done so that the channel D ionization chamber would fit inside the lamp illumination diameter, which is 6 mm as indicated by the dashed circle on all microchannels in Figure 1. Table 1 gives the values of the geometries for all the channels. Notice that channel D has electrode area of 32.6 mm^2 at least 4 times higher than channels A and B. In addition, the illumination area of 13.3 mm^2 of channel D is around 6 and 4 times higher than those values for channels A and B, respectively. With a value of 6.7 μL , channel D has the highest ionization chamber volume, almost 7 times higher than the chamber volume of channel A.

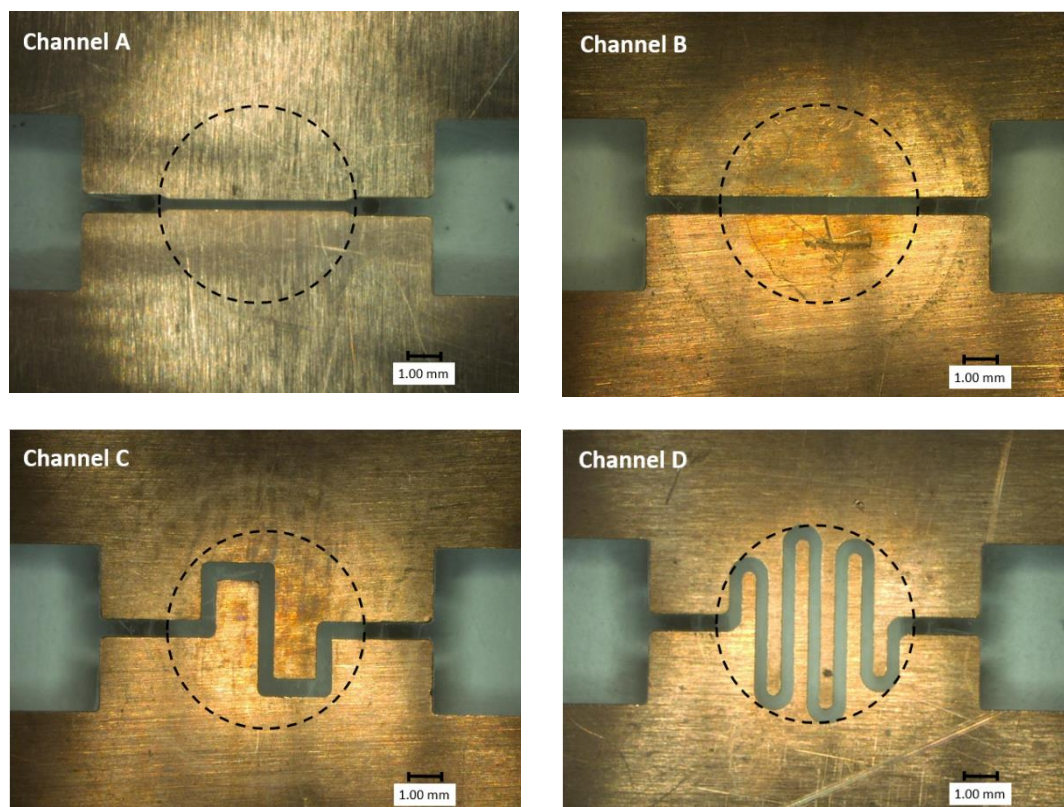


Figure 1 - Microchannel designs used in the μ PID (channel A, B, C and D).

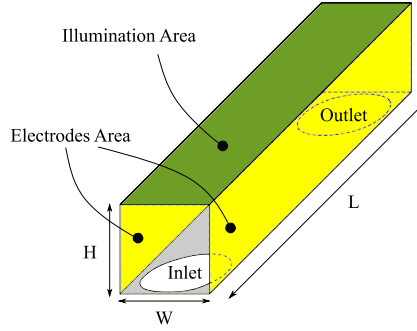


Figure 2 – Main microchannel geometrical parameters.

Table 1 – Magnitude of the microchannels geometrical parameters.

Parameter	Channel A	Channel B	Channel C	Channel D
H [mm]	0.50	0.50	0.50	0.50
W [mm]	0.25	0.50	0.50	0.40
L [mm]	7.0	7.0	14.0	32.9
A_e [mm ²]	7.0	7.0	12.9	32.6
A_i [mm ²]	2.2	3.5	6.9	13.3
V_c [μL]	1.1	1.8	3.5	6.7

2.3. Setup for direct injection into μPID

Figure 3 shows an experimental setup built to evaluate the μPID prototype. Two gas sample supplies are used, one containing a VOC pollutant and another with nitrogen. Both are isolated by ball valves (BV1 and BV2) and connected to a mass flow controller (MFC). The MFC regulates the flow rate of gas sample into the μPID and the flow rate leaving the device is read by a mass flow meter (MFM). The MFC and MFM (F-100D-AAD-33-V) are from Bronkhorst and the model of MFC used varies depending on the flow rate required for the experiment. All tubing connecting the gas flow are made of PTFE. For safety reasons, the experimental setup is installed inside a fume hood to avoid spreading of the pollutant gases into the test room. At the exit of the fluidic path, the gas sample is left to atmospheric pressure.

The μPID 10.6 eV lamp is powered by the UV lamp drive circuit from a commercial PID (piD-TECH® eVx™, 045-010), which is supplied with 4 V and 35 mA from the power supply 1. To measure the current inside the ionization chamber, the power supply 2 applies a voltage between the copper electrodes (30 V), and the current generated by the PID detection goes through the current preamplifier (Low-Noise Current Preamplifier, Stanford Research Systems, SR570), which can filter and amplify low current signals. After amplifying the current signal to voltage signal, the voltage magnitude is measured by an analog-to-digital converter (ADC) from National Instruments (NI-USB-6001). A MATLAB algorithm reads and stores the digital signal in a computer. Due to the low magnitude of the current measured, a Faraday cage enclosing the μPID is used in the experiments to mitigate electromagnetic noise influence.

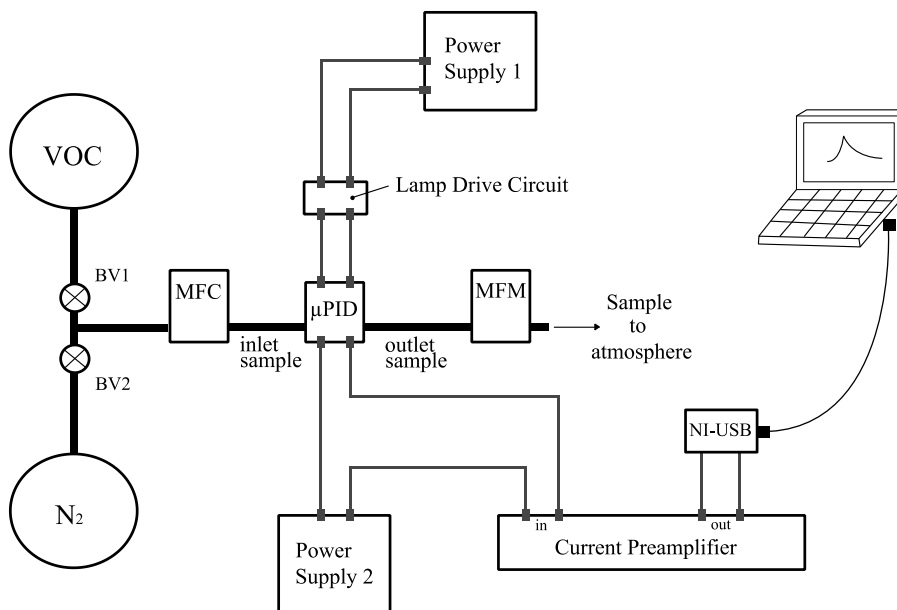


Figure 3 – Experimental setup used for the experiments with the μ PID.

2.4. Setup of μ PID coupled to GC for BTEX separation

The μ PID is also tested with a portable GC [25] by substituting the commercial PID (Baseline MOCON, piD-TECH Blue, part number 045-014) for the μ PID; yielding a GC- μ PID system with the schematic shown in Figure 4a. The analyser works in three steps: sampling, separation and detection. A BTEX gas mixture is connected to the inlet of the gas analyser which uses a mini diaphragm air pump (270 EC, Schwarzer) and a solenoid 6-ports valve (MTV-6LL-N32UF-1, Takasago) equipped with a PEEK 200 μ L sampling loop which is filled with the sample and then injected into the column for analysis as described in Figures 4b and 4c.

At the sampling stage illustrated by Figure 4b, the gas sample is directed to a waste, so that the 200 μ L sampling loop is filled with the gaseous pollutant mixture, which occurs in less than 10 seconds. After filling the sampling loop with a BTEX mixture, the injection stage can start. The injection is initiated by the BTEX analyser controller panel, and makes the valve switch position to reach the configuration displayed in Figure 4c, so that the carrier gas pushes the sample downstream. The optimal time for the injection stage was verified in previous studies and is 20 seconds [25].

The 6-ports valve is connected directly to the separation column to minimize dead volume. The separation column is a 20 m long capillary from Restek with RXi-624 stationary phase and 1 μ m film thickness. Internal and external diameters are 0.18 mm and 0.74 mm, respectively. The separation column is coiled in a 7.5 cm diameter inside a 10 cm \times 10 cm \times 1 cm aluminium plate which serves as an oven. It is heated by an electric resistor that controls the temperature with a commercial controller (CAL 3300). To improve the oven performance the column is covered by a 2 cm thick cork insulation layer. The temperature set at the column for all the experiments is 65 $^{\circ}$ C and is constant for the analysis duration (isocratic mode).

The μ PID is located in the outlet of the separation column (Figure 4a). The electronic connections for the μ PID operation are the same as demonstrated in Figure 3, and a MFM can be placed after the separation column and the μ PID to verify the absence of leakage. The flow rate through the system is

ensured by the pressure regulator (PR) from Bronkhorst, set at 4 bars, which yield a flow rate measured at the end of the separation column of 2.39 mL_n/min.

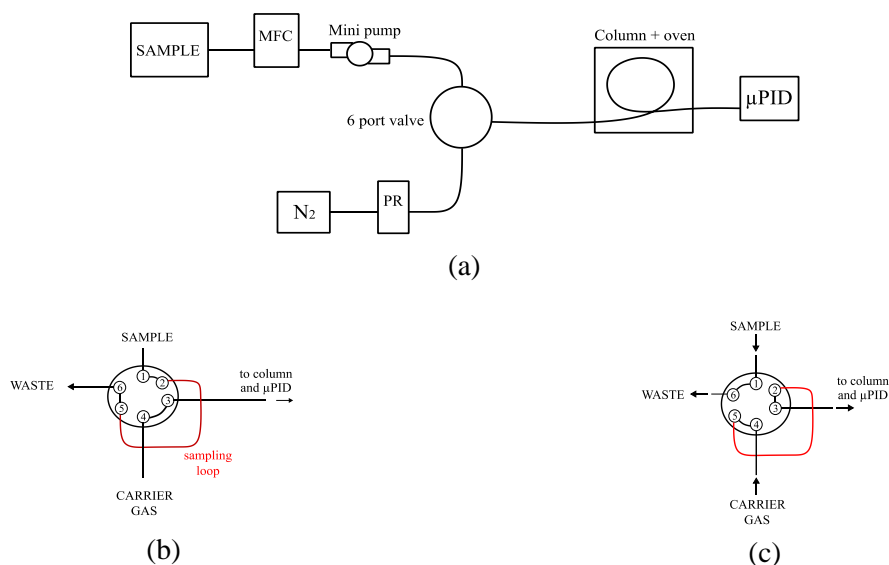


Figure 4 – Schematics of the experiment integrating the μ PID with a portable GC. a) Setup main components, including pressure regulator (PR) and mass flow controller (MFC); b) 6-ports valve sampling stage; c) 6-ports valve analysis stage.

3. Results for Sample Direct Injection into the μ PID

3.1. Influence of microchannel design

In order to verify the influence of different microchannel designs on the detector signal, the response using channels A, B, C and D were obtained with direct injection of nitrogen and 100 ppm of toluene (nitrogen balance gas) at 50 mL_n/min. Figure S.1 shows the signal (current measurement) as a function of time for all channels. For each channel, three datasets ($n = 3$) measured in a sequence are shown to demonstrate the repeatability of the results (black, red and blue lines). The signal was obtained by applying 30 V on the signal electrodes. The current preamplifier was set for a low-pass first order RC filter with cut-off frequency (f_c) of 10 Hz, 12 dB attenuation and 1 nA/V amplification. The amplification and attenuation values used in the preamplifier will remain constant for all results obtained in this work.

The following procedure was used to obtain the signal: i) channel purged with nitrogen during 5 min; ii) Start the data acquisition ($t = 0$ s on the plots of Figure S.1) and continue the purge with nitrogen for 1 minute; iii) Close nitrogen supply valve and wait for the MFC to measure 0 mL_n/min (which lasts about 1 minute); iv) at 2 min of test, open the toluene 100 ppm connection valve for pollutant signal acquisition during 3 min; v) close the toluene 100 ppm valve and wait for the MFC to display 0 mL_n/min; vi) open the nitrogen valve to purge the channel so that the signal level returns to the baseline.

For each dataset, the signal representing the stable value for the baseline (S_b) and the pollutant (S_p) are obtained at 35 s and 270 s of experiment, respectively. The signal at 35 and 270 s is considered stable with less than 0.2 % variation in a 5 s interval. The difference between the pollutant and the baseline signal is the signal rise:

$$S_r = S_p - S_b. \quad (1)$$

The average value of the signal at the baseline (S_b), pollutant (S_p) and rise (S_r) level for all channels are displayed in Figure 5. The S_r is what ultimately permits to estimate the sensitivity level of the detector. As illustrated by Figures 5b and 5c, the highest variation for S_p and S_r is found between channel A and D, where the channel D can have values up to 3 times higher. Regarding S_b (see Figure 5a), the largest difference is found between channel B and D, where the baseline of channel D is higher than double the channel B baseline. The error bars displayed in Figure 5 are 3.5 % of the measured value. This error value stems from the maximum error observed in the experiments for direct injection of sample. The response time, which is the time it takes for the signal to go from baseline level to pollutant level, is less than 1 s for all channels.

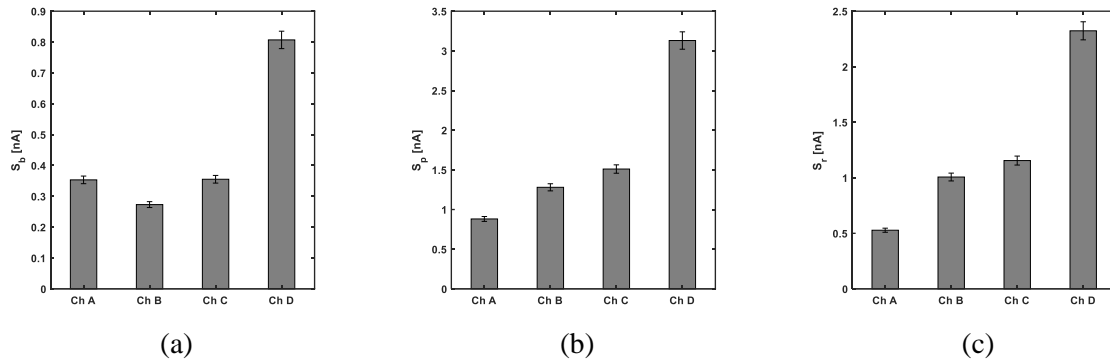


Figure 5 – Average signal level for all channels. a) Baseline signal (S_b); b) Pollutant signal (S_p); c) Signal rise (S_r).

Table 1 can be used as a reference to investigate the influence on the measured signal caused by the geometry changes of each channel. From channel A to channel B, the signal level doubles and the main geometrical change between those two designs is the width of the channel (W), which changes the illumination area (A_i) consequently. The change in the two parameters, W and A_i , observed from channel A to channel B have opposite effects on the signal level. Channel A has smaller W which means it has a stronger electric field compared to channel B, this increases the ion and electron collection efficiency and contributes positively for the sensitivity of the detector. On the other hand, channel B, despite the larger W , has a larger illumination area (A_i), which also contributes positively to the sensitivity of the μ PID. The increase in signal rise (S_r) from channel A to B observed in Figure 5c shows that, for the investigated channel dimensions, illumination area is more important than width for signal level.

Figure 5a shows that the baseline level for channel A is higher than channel B, which is likely caused by a larger portion of the electrodes being hit by photons on channel A. For channels A, B, C and D, the portion of the electrodes top surface illuminated by the lamp diminishes with increasing ionization chamber volume; however, for channels B, C and D, baseline signal increases with less electrode surface area illuminated by the lamp and channel A has an inverse effect. An explanation for this phenomenon can be that channels B, C and D generate higher current for the residual ionisable chemical components that can be inside the ionization chamber even when nitrogen is used, since those channel designs have higher sensitivity due to the larger electrode area and illumination area compared to channel A.

For channels B, C and D, it is possible to attribute the increase in signal rise (S_r) to the simultaneous increase in illumination area and electrode area. A change in channel D compared to channels B and C is the width, which is 100 μ m lower compared to channels B and C. This has also a positive impact in the channel D sensitivity and has contributed to establish it as the most sensitive channel design from the four presented in this work. Because of the changes in the channel shapes, ionization chamber volume increases as illumination area increases. V_c variation should not have a significant impact on the

signal presented in Figure 5 because the PID is a concentration sensitive detector. A V_c variation can cause signal intensity change if the sample volume is small compared to the ionization chamber volume (see Supplementary material S.4).

3.2. Calibration curve and detection limit

A range of toluene concentrations (1 to 100 ppm) were injected into the μ PID to obtain a response curve. The detector (using channel D) was subjected to a series of gas purge with nitrogen followed by injection of toluene. The range of concentrations were achieved by diluting the concentration level of the toluene 100 ppm gas cylinder with a mixed nitrogen flow. The nitrogen and toluene flow rates summed up 20 mL_n/min and a potential of 30 V was applied on the electrodes to yield fast stabilization and a stable signal, respectively.

The μ PID signal rise (S_r) as a function of toluene concentration (C) at the range 1 to 100 ppm follows a linear growth, as indicated in Figure 6, which is estimated from a linear fit function with forced zero intercept. The linear fit function angular coefficient (a) and the coefficient of determination (r^2) are 24.67 pA/ppm and 0.9997, respectively. The concentration uncertainty presented in Figure 6 is obtained from the toluene gas cylinder concentration error and from the mixing of nitrogen and toluene flows that yielded the dilution. The resulting concentration uncertainty has values from 5 to 12.5 % at the highest and lowest concentrations, respectively.

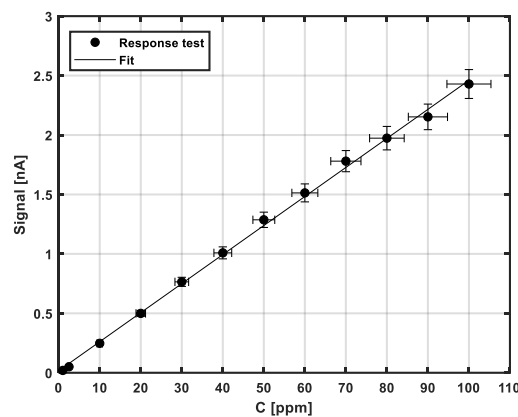


Figure 6 – Channel D response curve for 1 to 100 ppm toluene concentration range at 30 V and 20 mL_n/min. Vertical error bar is 3.5 %, which stems from the maximum error observed in the experiments for direct injection of sample. The horizontal error bar varies from 5 % to 12.5 % where the highest error is obtained for lowest concentration. This value range is obtained by the toluene gas cylinder concentration error and from the mixing of nitrogen and toluene flows that yielded the dilution.

The detection limit in concentration units of the μ PID (C_{DL}) is defined as the concentration that yields a signal rise three times higher than the noise measurement at the baseline (N). Considering the linear nature of the signal for the concentration range measured, C_{DL} can be estimated from the linear fit of the response curve with forced zero intercept, therefore:

$$C_{DL} = (3.N)/a \quad (2)$$

The sensitivity (a), which is also the slope of the linear fit, depends essentially on the design of the device, while the noise can be treated with filters and signal post-processing. The lowest baseline noise measured is 0.3 pA and this noise value was obtained using a low pass first order RC filter from the current preamplifier with a cut-off frequency (f_c) of 0.03 Hz in combination with a digital moving average filter. Considering the lowest baseline noise, the detection limit of toluene is ~40 ppb for the sample direct injection test presented in Figure 5.

4. Results for μ PID Integrated in the GC

4.1. Influence of microchannel design on the chromatogram and comparison with a commercial PID

Experiments with GC- μ PID were also performed for channels A, B, C, D and a commercial portable PID (Baseline MOCON, piD-TECH eVx Green, part number 045-010). The commercial PID tested is not the same one originally used with the portable GC because the original commercial PID had a measurement range (0.5 ppb to 2 ppm) lower than the sample concentrations applied to test the μ PID (1 ppm to 10 ppm); therefore, it would not be able to read the sample at the same concentration levels injected into the μ PID.

Figure 7 shows the chromatogram with 10 ppm BTEX sample for channel D. The chromatograms for all other channels and the commercial PID are presented in section S.3 of the Supplementary material. Optimal filter cut-off frequency applied in the μ PID, which generated the best signal-to-noise ratio was 0.3 Hz. Retention time for μ PID and commercial PID are essentially the same with a difference lower than 1 %. The peaks, in the order that they leave the separation column are: 1st) benzene; 2nd) toluene; 3rd) ethylbenzene; 4th) m-xylene and p-xylene (coeluted in the same peak); 5th) o-xylene. Retention times for benzene, toluene, ethylbenzene, m,p-xylenes and o-xylene peaks are 88 s, 189 s, 382 s, 412 s and 495 s, respectively.

The detection limits of BTEX for all channels and commercial PID are displayed in Figure 8. Since only the 10 ppm BTEX signal level was measured, the detection limit is estimated assuming a linear response curve with zero intercept. For the microchannels, the noise considered for the detection limit calculation is the same (0.3 pA, the lowest noise) and the detection limit magnitude follows the order $(C_{DL})_{ChA} > (C_{DL})_{ChB} > (C_{DL})_{ChC} > (C_{DL})_{ChD}$. The detection limit for channel D calculated by this way reach values of 72, 127, 429, 316 and 448 ppb of benzene, toluene, ethylbenzene, m,p-xylenes and o-xylene, respectively. Notice that the detection limit of benzene for the μ PID channels B (134 ppb), C (107 ppb) and D (72 ppb) are better compared to the commercial PID (157 ppb) whereas the commercial PID exhibits better sensitivity for ethylbenzene and xylenes.

The peak width at half height ($w_{1/2}$) is compared on Figure 9 for the microchannels and the commercial PID. For the benzene peak, the commercial PID has a negative impact on the width, yielding a slightly larger benzene peak (15 % larger than the channel D, for example). However, for toluene and ethylbenzene, the peak width has no conclusive difference from the microchannels and the commercial PID, because the average differences uncertainties are all overlapped. The xylenes (m,p,o-xylenes) are sharper for the commercial PID. No significant $w_{1/2}$ variation was observed between the microchannel designs, this can be explained by the fact that the volume of the ionization chamber is small compared to the sample volume eluting from the separation column, as analysed in the supplementary material section S.4.

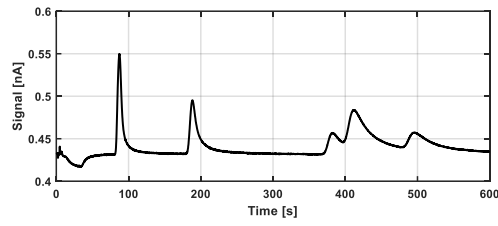


Figure 7 – Chromatogram for 10 ppm BTEX injection using channel D.

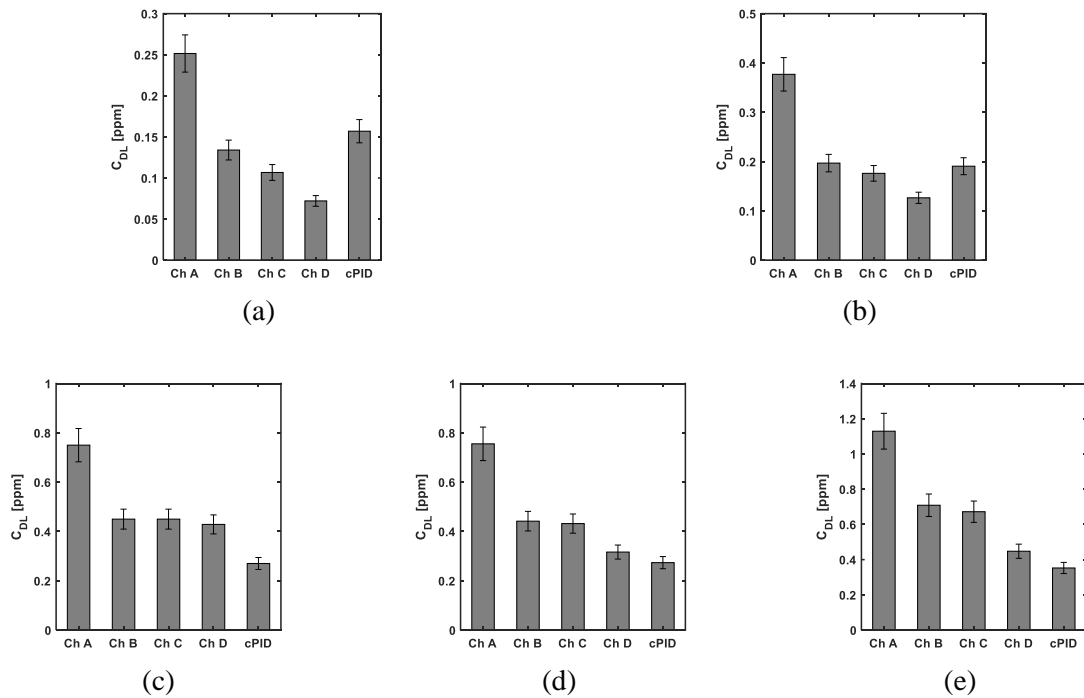


Figure 8 – Estimated concentration detection limit (C_{DL}) for all microchannels (30 V) and commercial PID with a 10 ppm BTEX sample: a) benzene, b) toluene, c) ethylbenzene, d) m,p-xylene and e) o-xylene. Detection limit error is 8.9 %.

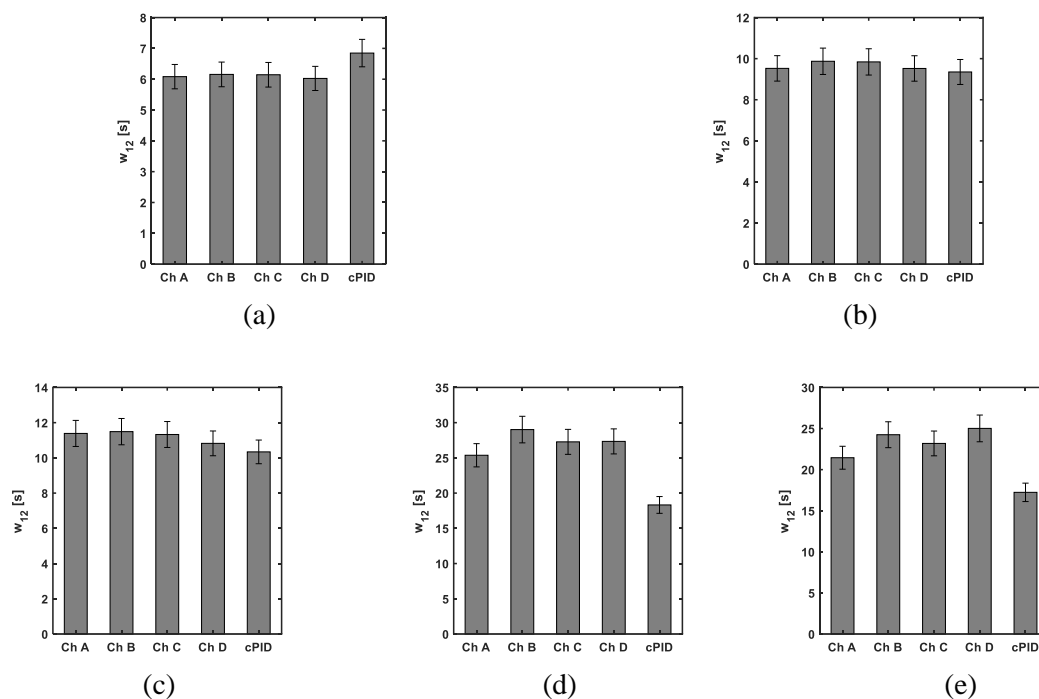


Figure 9 – Chromatographic peak width at half height ($w_{1/2}$) for all channels and commercial PID with a 10 ppm BTEX sample and 30 V on electrodes: a) benzene, b) toluene, c) ethylbenzene, d) m,p-xylene and e) o-xylene.

4.2. Response curve

The response curve of the GC- μ PID (using channel D) for each peak was obtained when applying concentrations ranging from 1 ppm to 10 ppm of BTEX into the gas analyser. The concentration range was obtained using the dilution method described in Section 3.2 and injecting 200 μ L of sample from the sampling loop. The peak heights are calculated from the average of two consecutive experiments for each concentration. The height error is 6.5 %, same as mentioned in section 4.1, and the concentration error has a maximum value of 7.3 %. The response for this range of BTEX concentration is not linear, as shown in Figure 10.

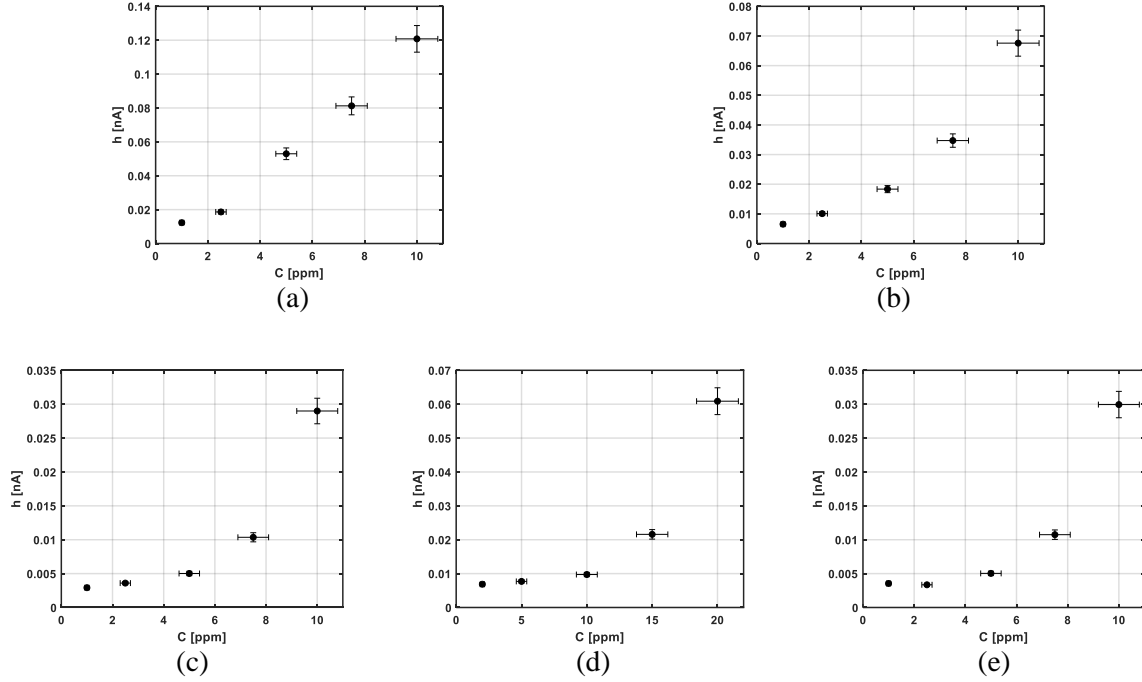


Figure 10 – Calibration curve for GC- μ PID (channel D) chromatographic peaks with samples of BTEX at concentration ranging from 1 to 10 ppm and 30 V applied on the electrodes. a) Benzene; b) toluene; c) ethylbenzene; d) m,p-xylenes; e) o-xylene.

The concentration detection limit (C_{DL}) can be estimated using Equation 2 and the signal corresponding to the lowest concentration injected (1 ppm). Considering the noise for the digitally smoothed signal (0.3 pA), the detection limits in concentration and mass units for the four peaks are presented in Table 2. The detection limit in mass units (m_{DL}) is obtained by applying Equation 3:

$$m_{DL} = \frac{C_{DL} \cdot p_{atm} \cdot V}{R_i \cdot T}, \quad (3)$$

where p_{atm} is the atmospheric pressure (101325 Pa), V is the sampling loop volume (200 μ L), R_i is the specific gas constant for each chemical compound and T is the ambient temperature (300 K).

Notice that the detection limit for toluene is approximately 3.5 times higher than when the detector was tested with direct injection. This can happen because, when the GC system is used, the concentration of the sample spreads while flowing through the separation column and reaches the detector at a lower level.

Table 2 – Detection limit for each species in ppb and pg. Error of 8.9 %.

	Benzene	Toluene	Ethylbenzene	m,p-Xylene	o-Xylene
D.L. [ppb]	73	138	308	262	254
D.L. [pg]	46	103	266	226	219

4.3. Preconcentrator integrated with the GC- μ PID sampling loop

As previously demonstrated by Lara-Ibeas et al. (2019), the use of a preconcentration unit (PC) can improve the sensitivity and consequently decrease the detection limit of the gas analyser [26]. An

experiment with a PC prototype (developed at ICPEES) was performed as an attempt to improve the detection limit of the GC- μ PID. The PC uses an adsorbent to trap the sample and a heating system to release the concentrated sample into the gas analyser. The sampling flow rate for the preconcentration process was 20 mL_n/min applied during 5 min at ambient temperature (~ 30 °C), the total sample volume being therefore 100 mL. The desorption temperature applied was 270 °C for ~ 70 s with the sample being injected during 75 s. The PC was integrated into the sampling loop of the gas analyser.

Unfortunately, the preconcentrator prototype suffered a contamination problem due to the presence of unexpected impurities in nitrogen even before the tests with the μ PID. This is identified by an unwanted peak measured by the experiment with nitrogen (Figure 11). After a series of purges with nitrogen, a 5 ppb BTEX sample is injected into the gas analyser with the preconcentrator.

Figures 11a and 11b show the chromatograms for the injection of nitrogen and 5 ppb of BTEX, respectively. Since the preconcentrator is applied in this operation, the separation process was adapted and it is 8 min longer compared to the separation process without the preconcentrator. During the purge test with nitrogen (Figure 11a), it is possible to identify the contamination peak, which hides the benzene signal when the 5 ppb BTEX sample is injected.

Figure 11b shows the peaks corresponding to the 5 ppb BTEX injection. The pattern of the last three peaks, corresponding to ethylbenzene, m,p-xylene and o-xylene, can be recognized starting at $t = 700$ s. However, the ethylbenzene and o-xylene signal heights are close to the noise level with $SNR < 3$. This means that only toluene and m,p-xylenes peaks are detectable for this experiment, their detection limits being close to 5 ppb (1.87 ng and 2.16 ng with a sample volume of 100 mL, for toluene and m,p-xylenes, respectively). Nonetheless, this shows the potential to a low ppb level detection limit when the μ PID is used in a portable GC equipped with a preconcentrator.

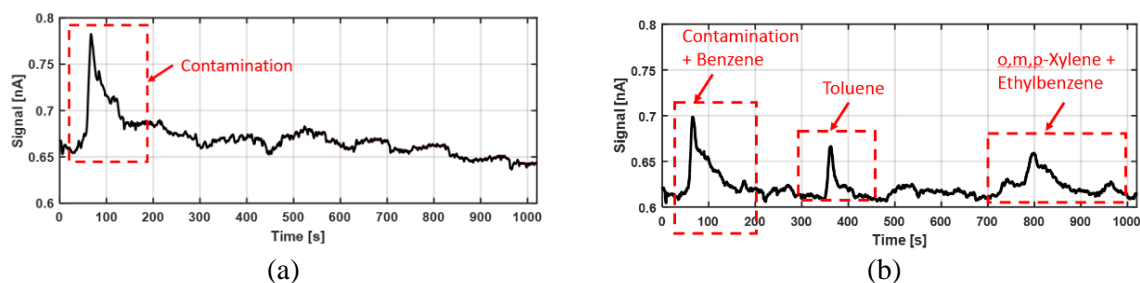


Figure 11 – Chromatogram for GC- μ PID equipped with a preconcentrator. Using channel D at 30 V. a) Purge with nitrogen; b) 5 ppb BTEX sample analysis. The sampling flow rate for the preconcentration process was 20 mL_n/min at ambient temperature (~ 30 °C) and the total sample volume was 100 mL (5 min preconcentration process). The desorption temperature applied was 270 °C for ~ 70 s with the sample being injected during 75 s.

5. Conclusions & Recommendations

This work presented the characterization of a μ PID used with and without a portable GC prototype. The modular feature of the μ PID made it possible to test four different channel geometries, with ionization chamber volume ranging from 1.1 to 6.7 μ L, and use the same UV lamp. The influence of the geometrical parameters was investigated and showed that the electrode and illumination areas play an important role in the signal magnitude, while the width of the channel has probably a small influence in the signal of the μ PID.

When a sample of 100 ppm toluene was injected directly into the μ PID at 50 mL_n/min and 30 V applied on the electrodes, it produced a current signal up to ~4 nA (channel D). The signal response time was less than 1 s for all channel designs tested. The higher baseline level for channel A compared to channel B can be due to a larger portion of the electrodes being hit by photons, causing the photoelectric effect. Lamp deterioration can cause significant drop in S_r , near 3 times lower after ~700 h of use. This highlights the importance of the modular feature of the μ PID design showed in this work, because the UV lamp can be replaced or removed for maintenance. Considering the linear fit of the response curve from 1 to 100 ppm of toluene and the lowest noise obtained (0.3 pA), the detection limit for sample direct injection was ~40 ppb.

The response curve of the GC- μ PID obtained for channel D from the injection of a 1 to 10 ppm BTEX sample showed non-linear behaviour, which was more pronounced in the last three peaks of the chromatogram. The detection limit obtained for benzene, toluene, ethylbenzene, m,p-xylenes and o-xylene peaks are 73, 138, 308, 262 and 254 ppb, respectively. For the four microchannels tested, no significant variation of peak width was observed and can be explained for the relatively high sample volume eluting from the separation column. Despite the contamination issues in the preconcentrator prototype, it was still possible to reach low ppb detection limit for toluene when the PC was integrated into the GC sampling system.

Future work could be done to develop a portable amplifier for the μ PID so it can be easily integrated into the GC prototype for field analysis. Practical study of the influence of humidity in the sensor response is necessary to apply filters. Another important future step is to integrate the μ PID into a lab-on-a-chip gas chromatograph with preconcentrator, this will enable to increase the portability of the whole gas analyser system. A modular μ GC- μ PID system should be built in the future and can improve maintenance of overall gas analyser and increase the flexibility of the application, since specific parts can be added according to application needs.

ACKNOWLEDGEMENTS:

This study was developed during the ITN Research Project, MIGRATE, supported by European Community H2020 Framework under the Grant Agreement No. 643095.

REFERENCES:

- [1] N.E. Klepeis, W.C. Nelson, W.R. Ott, J.P. Robinson, A.M. Tsang, P. Switzer, J. V Behar, S.C. Hern, W.H. Engelmann, The National Human Activity Pattern Survey (NHAPS): a resource for assessing exposure to environmental pollutants, *J. Expo. Anal. Environ. Epidemiol.* 11 (2001) 231–252.
- [2] European Commission, Indoor air pollution: new EU research reveals higher risks than previously thought, *Eur. Com.* (2003) IP/03/1278. http://europa.eu/rapid/press-release_IP-03-1278_en.htm#file.tmp_Foot_1 (accessed March 26, 2019).
- [3] L.A. Wallace, E. Pellizzari, B. Leaderer, H. Zelon, L. Sheldon, Emissions of volatile organic compounds from building materials and consumer products, 1987. doi:10.1016/0004-6981(87)90017-5.
- [4] WHO, Air quality guidelines for Europe, 2nd ed., 2000. doi:10.1007/BF02986808.
- [5] WHO, WHO Guidelines for Indoor Air Quality: Selected Pollutants, 2010. doi:10.1186/2041-1480-2-S2-I1.
- [6] European Commission, DIRECTIVE 2000/69/EC OF THE EUROPEAN PARLIAMENT AND

- OF THE COUNCIL of 16 November 2000 relating to limit values for benzene and carbon monoxide in ambient air., Off. J. Eur. Communities. (2000). doi:10.1016/j.jclepro.2010.02.014.
- [7] Ministère de L'Ecologie, Ministère de l'Ecologie. Décret no 2011-1727 du 2 décembre 2011 relatif aux valeurs-guides pour l'air intérieur pour le formaldéhyde et le benzène, J. Off. La République Française. (2011). doi:10.1051/dmbd/120108.
- [8] C. Poole, Gas Chromatography, first ed., Elsevier, 2012.
- [9] BTEX analyzer with PID detector: chromaPID, Chromatotec, (n.d.). http://www.chromatotec.com/BTEX_analyzer_with_PID_detector_chromaPID-Article-138-ChromaGC-Product-14.html (accessed July 19, 2018).
- [10] MODEL GC955-600, ET enviro Technology Services, (n.d.). <http://www.et.co.uk/products/air-quality-monitoring/continuous-gas-analysers/synspec-gc955-601-btx/> (accessed July 19, 2018).
- [11] Baseline MOCON 8900, (2019). http://products.baseline-mocon.com/Asset/D010.3_Series_8900_GC_0217.pdf.
- [12] S. Khan, D. Newport, Development of a Toluene Detector Based on Deep UV Absorption Spectrophotometry Using Glass and Aluminum Capillary Tube Gas Cells with a LED Source, (2019). doi:10.3390/mi10030193.
- [13] G.C. Rezende, S. Le Calvé, J.J. Brandner, D. Newport, Micro photoionization detectors, Sensors Actuators B Chem. 287 (2019) 86–94. doi:10.1016/j.snb.2019.01.072.
- [14] OI Analytical, Model 4430, Photoionization Detector Operator's Manual, (2009). http://aimanalytical.com/Manuals/PIDFID_manual.pdf (accessed July 20, 2018).
- [15] SRI Instruments, 8690-0040 PID detector, (2018). https://www.srigc.com/home/product_detail/pid---photo-ionization-detector (accessed October 4, 2018).
- [16] C. Liaud, N.T. Nguyen, R. Nasreddine, S. Le Calvé, Experimental performances study of a transportable GC-PID and two thermo-desorption based methods coupled to FID and MS detection to assess BTEX exposure at sub-ppb level in air, Talanta. 127 (2014) 33–42. doi:10.1016/j.talanta.2014.04.001.
- [17] Baseline MOCON, (2019). <http://www.baseline-mocon.com> (accessed July 6, 2018).
- [18] J. Sun, F. Guan, D. Cui, X. Chen, L. Zhang, J. Chen, An improved photoionization detector with a micro gas chromatography column for portable rapid gas chromatography system, Sensors Actuators, B Chem. 188 (2013) 513–518. doi:10.1016/j.snb.2013.07.066.
- [19] H. Zhu, R. Nidetz, M. Zhou, J. Lee, S. Buggaveeti, K. Kurabayashi, X. Fan, Flow-through microfluidic photoionization detectors for rapid and highly sensitive vapor detection, Lab Chip. 15 (2015) 3021–3029. doi:10.1039/C5LC00328H.
- [20] J. Lee, M. Zhou, H. Zhu, R. Nidetz, K. Kurabayashi, X. Fan, Fully Automated Portable Comprehensive 2-Dimensional Gas Chromatography Device, Anal. Chem. 88 (2016) 10266–10274. doi:10.1021/acs.analchem.6b03000.
- [21] M. Akbar, M. Restaino, M. Agah, Chip-scale gas chromatography: From injection through detection, Microsystems Nanoeng. 1 (2015) 15039. doi:10.1038/micronano.2015.39.
- [22] H. Zhu, M. Zhou, J. Lee, R. Nidetz, K. Kurabayashi, X. Fan, Low-Power Miniaturized Helium Dielectric Barrier Discharge Photoionization Detectors for Highly Sensitive Vapor Detection, Anal. Chem. 88 (2016) 8780–8786. doi:10.1021/acs.analchem.6b02180.

- [23] S. Narayanan, G. Rice, M. Agah, A micro-discharge photoionization detector for micro-gas chromatography, *Microchim. Acta.* 181 (2014) 493–499. doi:10.1007/s00604-013-1146-9.
- [24] G.C. Rezende, S. Le Calvé, J. Brandner, D. Newport, Micro Milled Microfluidic Photoionization Detector for Volatile Organic Compounds, *Micromachines.* 10 (2019). doi:10.3390/mi10040228.
- [25] R. Nasreddine, V. Person, C.A. Serra, S. Le Calvé, Development of a novel portable miniaturized GC for near real-time low level detection of BTEX, *Sensors Actuators, B Chem.* 224 (2016) 159–169. doi:10.1016/j.snb.2015.09.077.
- [26] I. Lara-Lbeas, A. Rodríguez-Cuevas, C. Andrikopoulou, V. Person, L. Baldas, S. Colin, S. Le Calvé, Sub-ppb level detection of BTEX Gaseous mixtures with a compact prototype GC equipped with a preconcentration unit, *Micromachines.* 10 (2019). doi:10.3390/mi10030187.