



HAL
open science

Towards laser locking in the telecom range by spectroscopy of molecular gases

Guillaume Baclet, Adèle Hilico, Vincent Mançois, Romain Veyron, Philippe Bouyer, Simon Bernon

► To cite this version:

Guillaume Baclet, Adèle Hilico, Vincent Mançois, Romain Veyron, Philippe Bouyer, et al.. Towards laser locking in the telecom range by spectroscopy of molecular gases. *Light Matter Interaction in Dilute Media and Individual Quantum Systems*, May 2019, Les Houches, France. hal-03004904

HAL Id: hal-03004904

<https://hal.science/hal-03004904>

Submitted on 13 Nov 2020

HAL is a multi-disciplinary open access archive for the deposit and dissemination of scientific research documents, whether they are published or not. The documents may come from teaching and research institutions in France or abroad, or from public or private research centers.

L'archive ouverte pluridisciplinaire **HAL**, est destinée au dépôt et à la diffusion de documents scientifiques de niveau recherche, publiés ou non, émanant des établissements d'enseignement et de recherche français ou étrangers, des laboratoires publics ou privés.

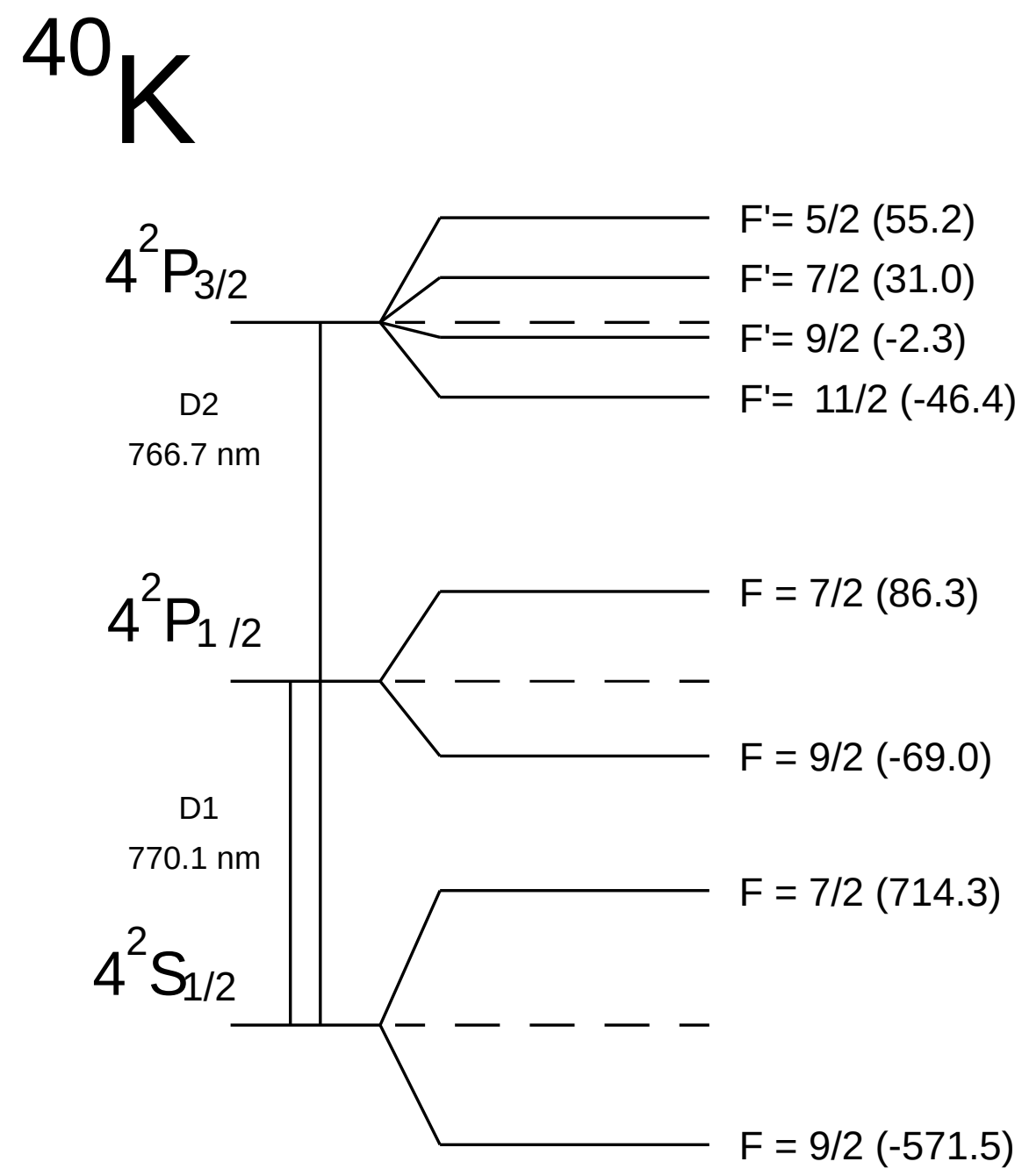
Towards laser locking in the telecom range by spectroscopy of molecular gases

Adèle Hilico, Guillaume Baclet, Vincent Mançois, Romain Veyron,
Philippe Bouyer & Simon Bernon
Contact : simon.bernon@institutoptique.fr

Laboratoire Photonique, Numérique et Nanosciences (L2PN), Univ. Bordeaux – CNRS –
Institut d'Optique Graduate School, F-33400 Talence, France

Motivation

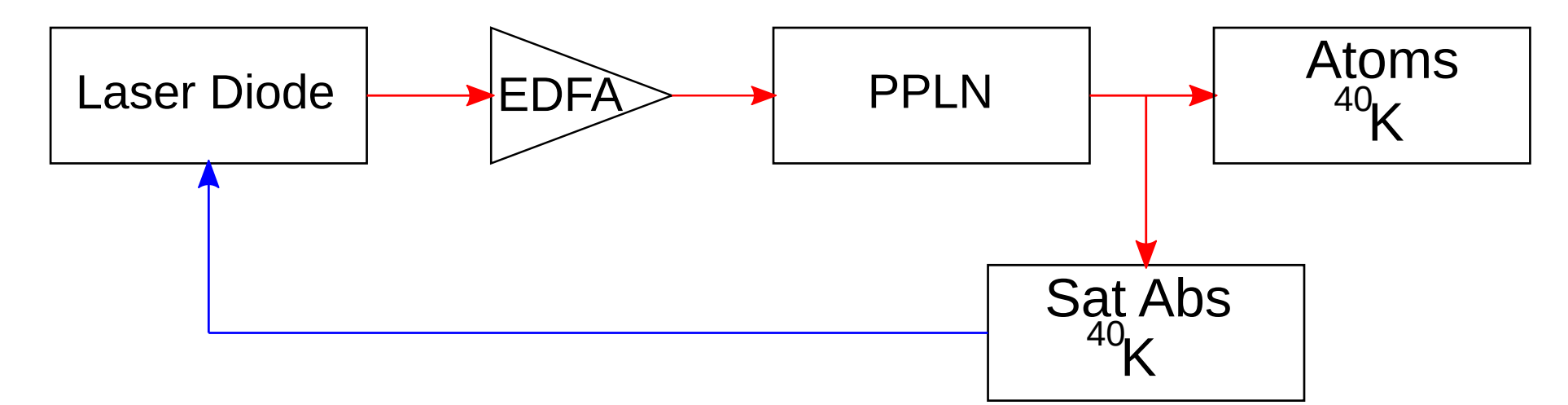
The AUFRONS (Ultra cold atoms in nanostructured optical potential) project aims at building near field optics / Ultra cold atoms hybrid systems to achieve stronger interaction between solid state and cold atoms physics. One of our goals is to manipulate cold fermionic species at the vicinity of a surface.



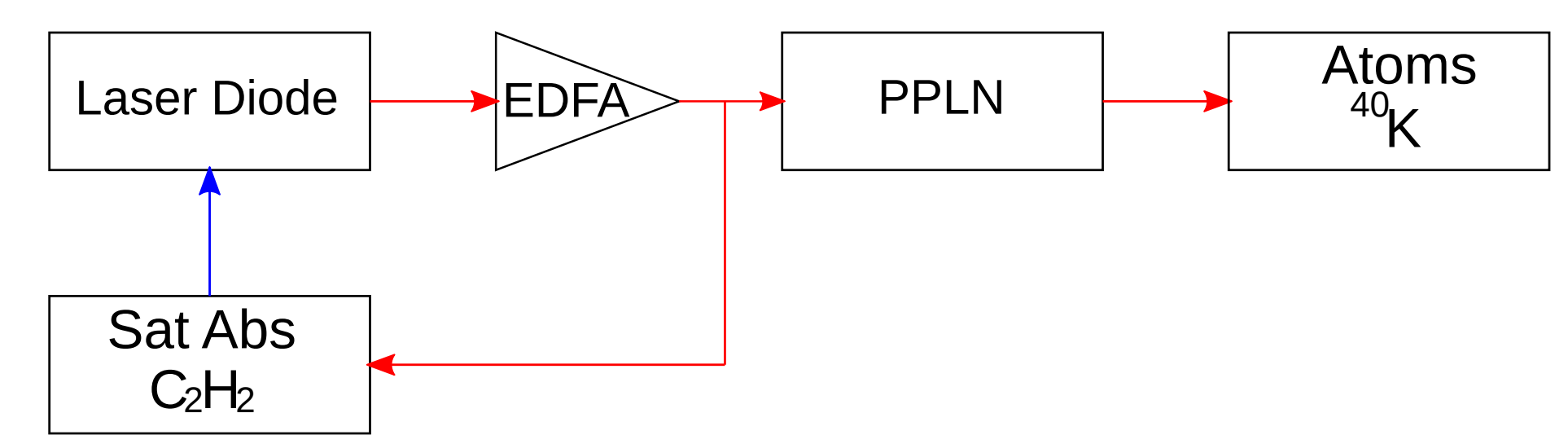
^{40}K : + transition frequency close to ^{87}Rb → doubled telecom laser diodes
 + sympathetic cooling with ^{87}Rb
 [1] + low field Feshbach resonances
 – isotopic ratio (0,012 %)
 – hyperfine lines are close, difficult to lock onto

C_2H_2 as rovibrational lines close to half the ^{40}K transition frequency
 + metrological transitions
 [2] + narrow lines
 + can work at room temperature
 – low absorption

Potassium setup:

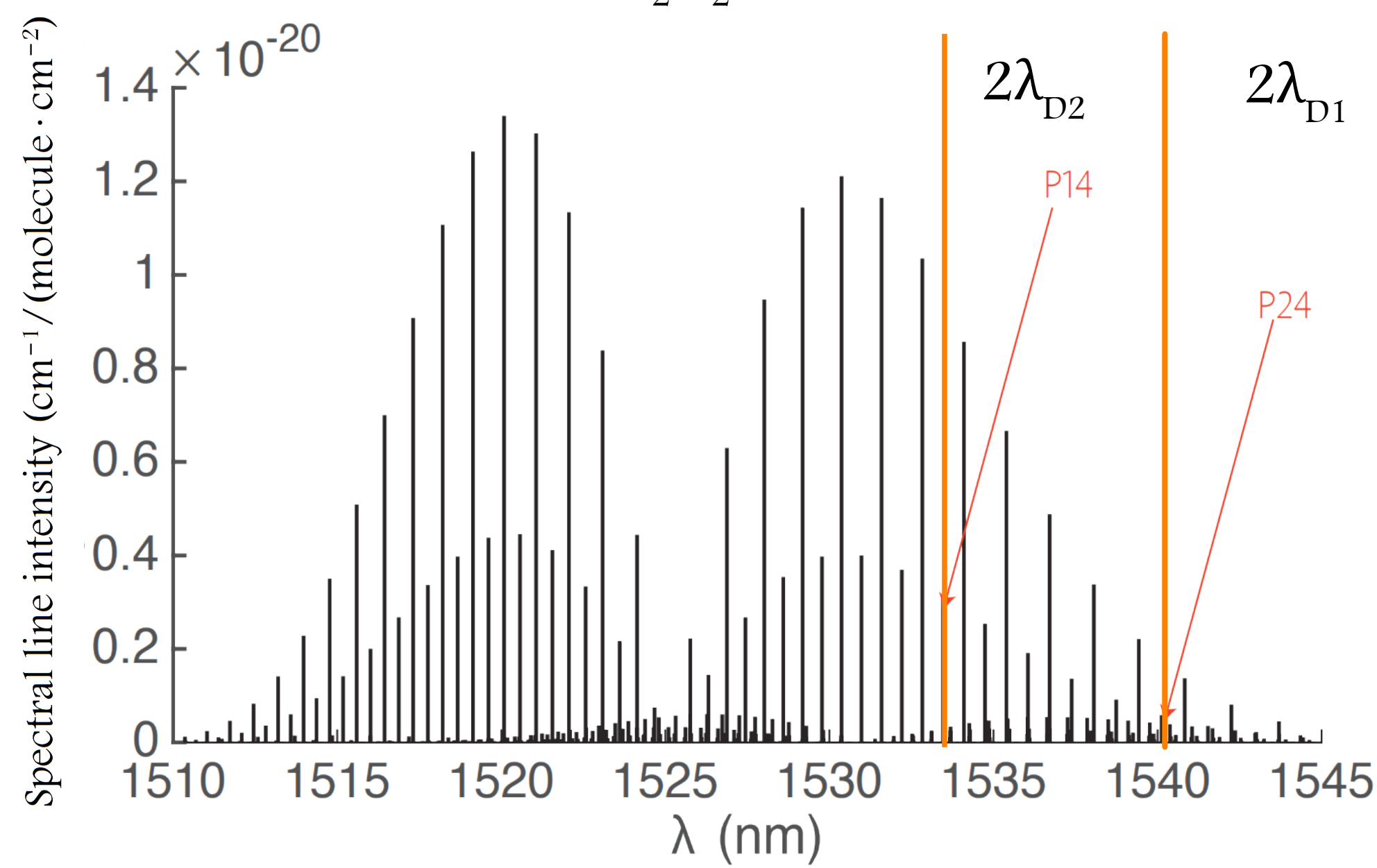


Acetylene setup:



Molecular Gases: Acetylene

Lines of interest for Potassium cooling (D1 and D2) using acetylene (C_2H_2) [2]



	$2\lambda_{D1,D2}$ (nm)	$\lambda_{C2H2,P24/P14}$ (nm)	Frequency Gap (GHz)
D1/P24 Transition	1540.216	1540.125	11.456
D2/P14 Transition	1533.402	1533.461	7.522

Acetylene Spectroscopic Parameters

• S = Spectral line intensity ($\text{cm}^{-1}/(\text{molecules} \cdot \text{cm}^{-2})$) [2]
 wavenumber Column density

• Optical Density is given by $OD = S \times \text{line profile} \times \frac{P}{k_B T} L$ Doppler FWHM ≈ 472 MHz

$$\Gamma_{\text{tot}} = \Gamma_{\text{nat}} + \Gamma_{\text{pressure}} + \Gamma_{\text{transit}}$$

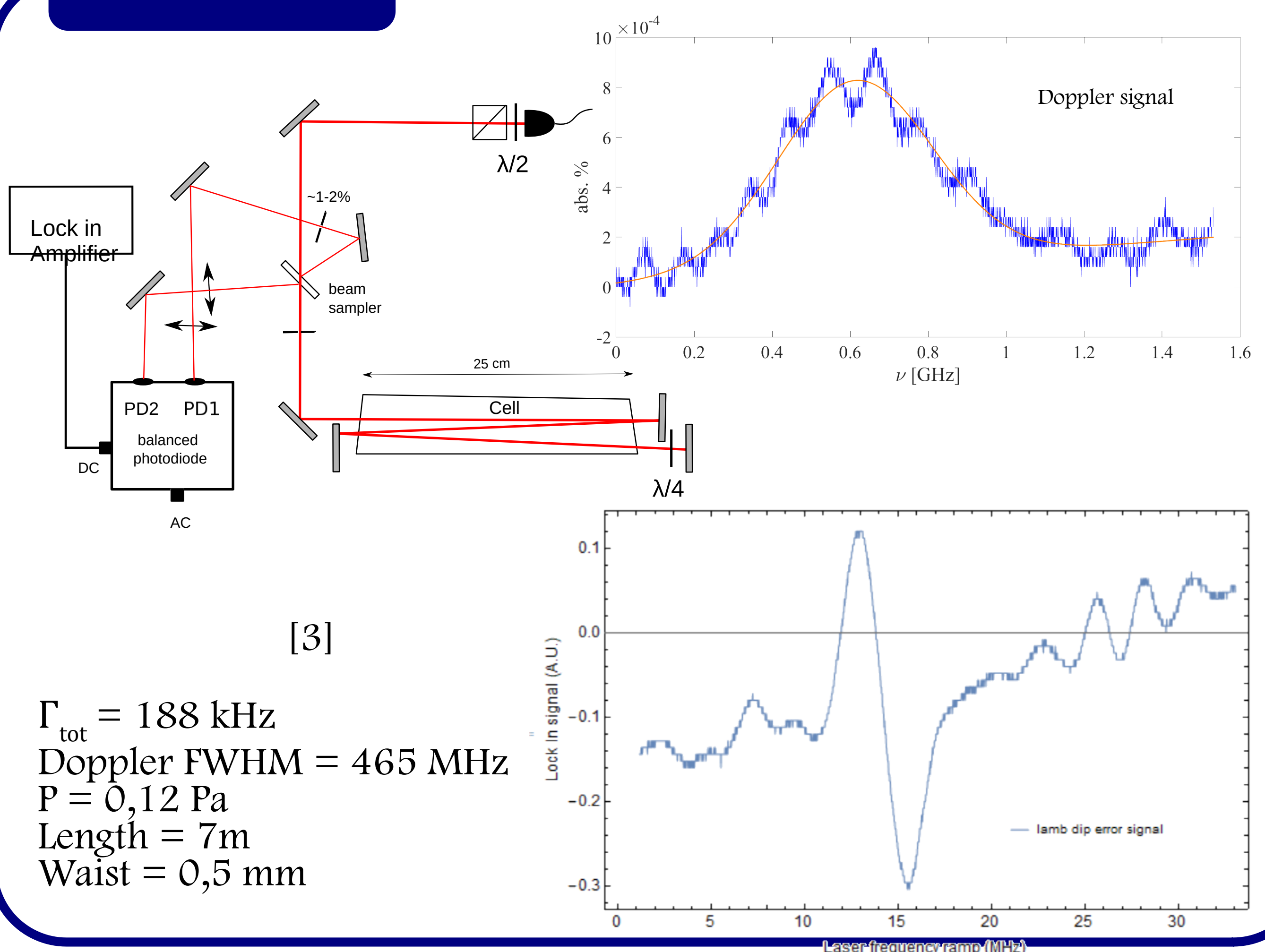
$$I_{\text{sat}} \propto \Gamma_{\text{tot}}^2$$

$$\Gamma_{\text{nat}} = 5 \text{ Hz}$$

$$\Gamma_{\text{pressure}} = (234 \text{ kHz/Pa}) \times P$$

$$\Gamma_{\text{transit}} = \frac{0,19}{w_0} \sqrt{\frac{2k_B T}{m_{C_2H_2}}}, w_0 \text{ waist radius}$$

Bulk Cell



Fiber Cell [4]

Length = 7m

MFD = 22 μm

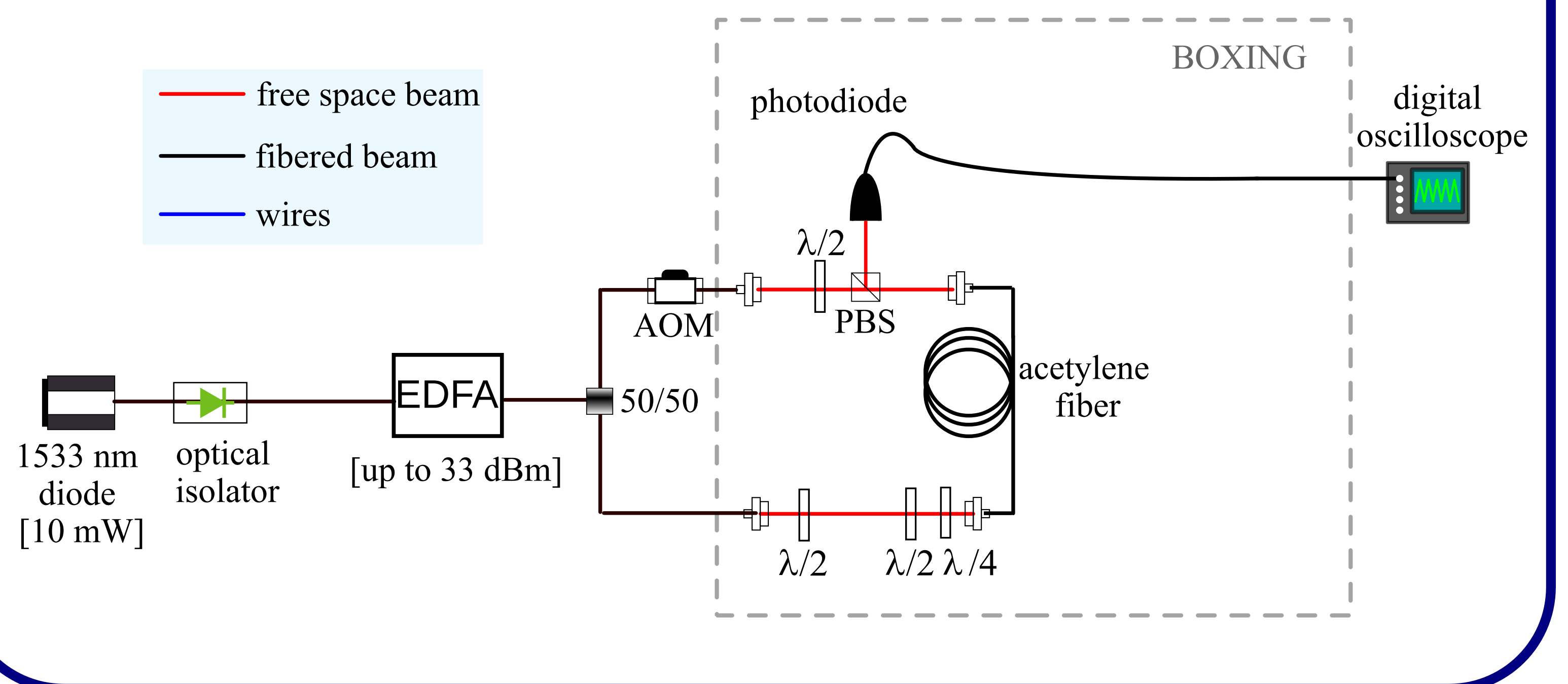
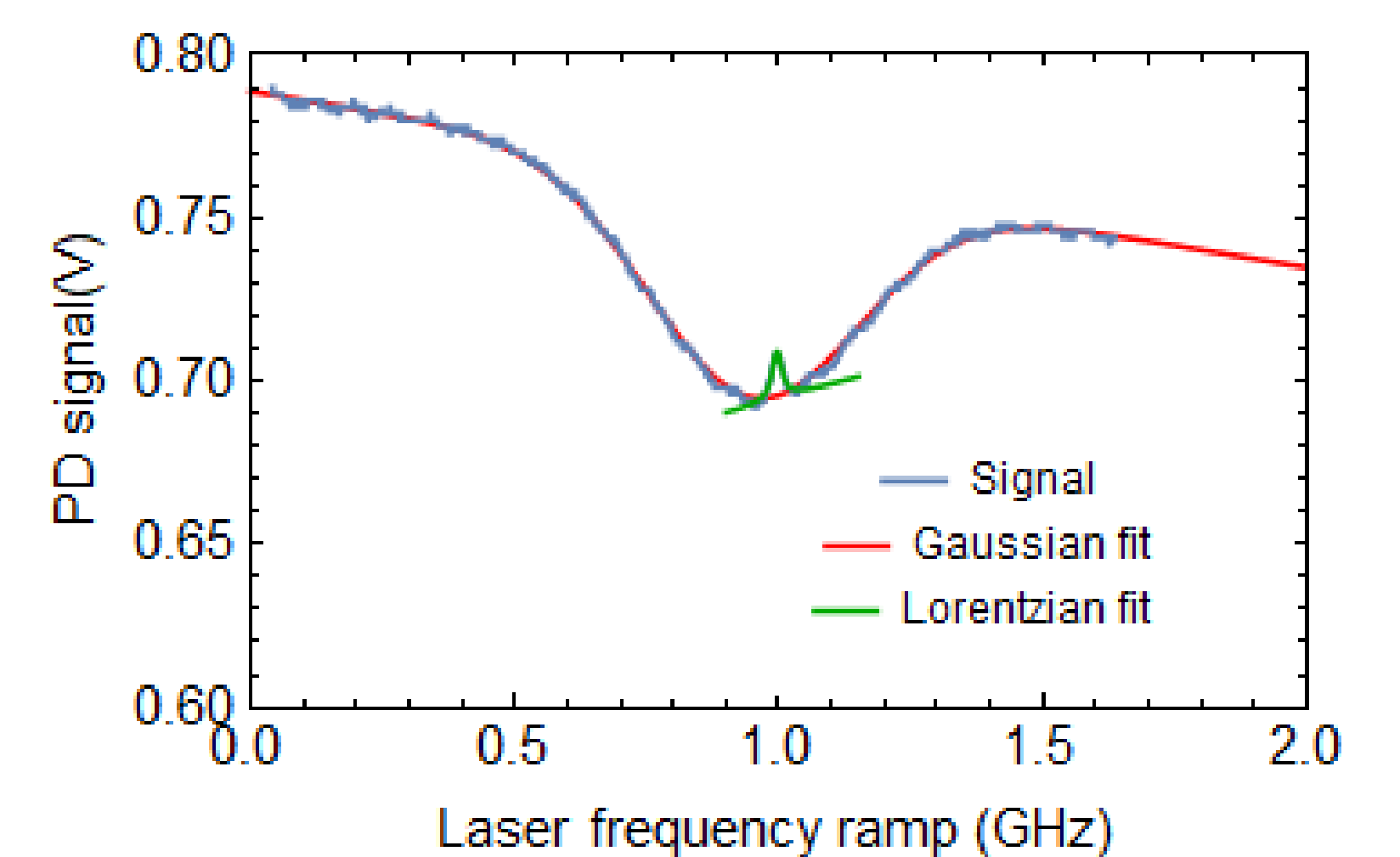
$P = 6$ Pa

$\Gamma_{\text{tot}} = 6$ MHz

$\Gamma_{\text{meas}} = 22$ MHz

Sat Abs Amplitude: 16% of Doppler

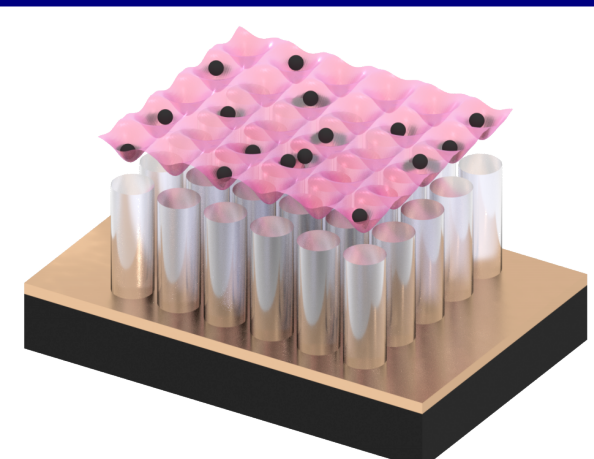
$P_{\text{sat}} \approx 20$ mW [5]



Perspectives

Experiment :

- Comparing bulk and fiber cells
- Herriott Cell
- Comparing the setups with ^{87}Rb reference via frequency comb
- Application for Potassium cooling



References

- [1] T. Tiecke. Properties of Potassium. <http://www.tobiastiecke.nl/archive/PotassiumProperties.pdf>, (2011).
- [2] HITRAN. Data base spectroscopy
- [3] J. Hald et al, Opt. Lett. **19**(3), 2052–2063 (2011)
- [4] M.Triches et al, Opt. Lett. **23**(9), 11227–11241 (2015)
- [5] J. Henningsen et al, Opt. Exp. **13**(26), 10475–10482 (2005)

Collaborations

Xlim:
Fetah Benabid, Benoît Debord, Thomas Billotte