



**HAL**  
open science

# A cytosine-to-uracil change within the programmed -1 ribosomal frameshift signal of SARS-CoV-2 results in structural similarities with the MERS-CoV signal

Dominique Fourmy, Satoko Yoshizawa

## ► To cite this version:

Dominique Fourmy, Satoko Yoshizawa. A cytosine-to-uracil change within the programmed -1 ribosomal frameshift signal of SARS-CoV-2 results in structural similarities with the MERS-CoV signal. 2020. hal-02998610

**HAL Id: hal-02998610**

**<https://hal.science/hal-02998610>**

Preprint submitted on 4 Jan 2021

**HAL** is a multi-disciplinary open access archive for the deposit and dissemination of scientific research documents, whether they are published or not. The documents may come from teaching and research institutions in France or abroad, or from public or private research centers.

L'archive ouverte pluridisciplinaire **HAL**, est destinée au dépôt et à la diffusion de documents scientifiques de niveau recherche, publiés ou non, émanant des établissements d'enseignement et de recherche français ou étrangers, des laboratoires publics ou privés.

# A cytosine-to-uracil change within the programmed -1 ribosomal frameshift signal of SARS-CoV-2 results in structural similarities with the MERS-CoV signal

Dominique Fourmy and Satoko Yoshizawa \*.

Université Paris-Saclay, CEA, CNRS, Institute for Integrative Biology of the Cell (I2BC), 91198, Gif-sur-Yvette, France.

E-mail: satoko.yoshizawa@i2bc.paris-saclay.fr

---

## ABSTRACT

The severe acute respiratory syndrome coronavirus 2 (SARS-CoV-2), the cause of the ongoing COVID-19 pandemic, like many other viruses, uses programmed ribosomal frameshifting (PRF) to enable synthesis of multiple proteins from its compact genome. In independent analyses, we evaluated the PRF regions of all SARS-CoV-2 sequences available in GenBank and from the Global Initiative on Sharing All Influenza Data for variations. Of the 5,156 and 27,153 sequences analyzed, respectively, the PRF regions were identical in 95.7% and 97.2% of isolates. The most common change from the reference sequence was from C to U at position 13,536, which lies in the three-stemmed pseudoknot known to stimulate frameshifting. With the conversion of the G<sub>13493</sub>-C<sub>13536</sub> Watson-Crick pair to G-U, the SARS-CoV-2 PRF closely resembles its counterpart in the Middle East respiratory syndrome coronavirus. The occurrence of this change increased from 0.5 to 3% during the period of March to May 2020.

*Keywords: COVID-19; coronavirus; sequence conservation; programmed ribosomal frameshifting; RNA pseudoknot; Nsp12 RNA-dependent RNA polymerase.*

In many viruses, programmed ribosomal frameshifting (PRF) is necessary for the expression of essential viral proteins. For instance, a -1 frameshift results in production of the HIV polyprotein Gag-Pol, which is necessary for viral replication<sup>1,2</sup>. Coronaviruses also depend on -1 PRF to express a polyprotein that encodes the RNA-dependent RNA polymerase<sup>3,4</sup>. In SARS-CoV-2, the polymerase is an antiviral drug target<sup>5,6</sup>. The 30-kb positive-sense, single-stranded RNA genome of SARS-CoV-2 has an organization similar to that of other members of genus *Betacoronavirus*<sup>7</sup>. The genomic RNA of SARS-CoV-2 encodes 14 open reading frames (ORFs) including the very long (more than 20 kb) ORF1a/b. This ORF encodes a polyprotein processed into 16 non-structural proteins (Nsp1-16). ORFs 1a and 1b are not in the same frame, and expression of proteins from ORF1b requires the ribosome to slip backwards in the 5' direction by one nucleotide such that the translation proceeds in a new reading frame<sup>8,9</sup>.

In the PRF events characterized, frameshifting is dependent on three mRNA elements: a heptameric slippery sequence where the frameshift occurs, a *cis*-acting stimulatory RNA structure located downstream of the slippery sequence, and a linker of a few nucleotides separating these two elements<sup>9-11</sup>. This mRNA stimulating structure is either a pseudoknot<sup>8,9</sup> or a hairpin<sup>12-15</sup>.

Among the *cis*-acting structures that induce -1 PRF, the hairpin-type (H-type) pseudoknot<sup>16</sup> is observed very frequently. These pseudoknots usually fold as two double-stranded helices (stems 1 and 2) separated by two or three single-stranded connecting loops<sup>17</sup>. Detailed structural analyses of frameshifting pseudoknots from the beet western yellow virus, the sugarcane yellow leaf virus, and the simian retrovirus type-1 revealed how nucleotides from the connecting loop 2 have extensive contacts with the minor groove of stem 1<sup>18-20</sup>. In the SARS-CoV PRF region, a third

internal stem-loop element contributes to the formation of a complex three-stemmed pseudoknot structure<sup>21-23</sup>.

Protein or RNA *trans*-acting factors can enhance or repress PRF efficiency. MicroRNAs bind and stabilize the pseudoknot of the human *CCR5* mRNA to increase -1 PRF efficiency<sup>24</sup>. The protein 2A from the encephalomyocarditis virus binds to the stimulatory RNA signal and as a consequence increases -1 PRF efficiency in the viral ORF<sup>25</sup>. Recently, the interferon-stimulated gene product Shiftless has been shown to be a host factor that inhibits the -1 PRF of HIV-1<sup>26</sup>. RNA elements that act in *cis* can also repress PRF. An attenuator RNA hairpin located immediately upstream of the slippery sequence represses -1 PRF in SARS-CoV<sup>27,28</sup>.

Changes in the sequence of the SARS-CoV pseudoknot affect frameshifting efficiency with drastic consequences on viral propagation, making the pseudoknot a potential drug target for antiviral treatment<sup>29,30</sup>. *In silico* screening identified a small ligand 2-[[4-(2-methylthiazol-4-ylmethyl)-[1,4]diazepane-1 carbonyl]amino]benzoic acid ethyl ester (MTDB) that binds the SARS-CoV pseudoknot. This ligand inhibits -1 PRF both in cell-free and cell-based assays<sup>31</sup>. A mechanical unfolding investigation of the pseudoknot in presence of the ligand suggests that rather than increasing pseudoknot stability the ligand reduces conformational plasticity of the pseudoknot leading to -1 PRF inhibition<sup>32</sup>.

As the structure of the three-stemmed pseudoknot is conserved in SARS-CoV and SARS-CoV-2<sup>33</sup>, it is of interest to evaluate how this sequence has evolved during the COVID-19 pandemic. Understanding how the -1 PRF sequence might change during adaptation to humans<sup>34</sup> is important for antiviral therapy development as drugs should target conserved regions of the RNA to avoid emergence of resistance. In addition, host RNA dependent editing of SARS-CoV-2 genome may have important consequences on the fate of the virus and the patient<sup>35</sup>.

We independently analyzed 5,156 SARS-CoV-2 sequences available in GenBank and 27,153 sequences available in GISAID for sequence variation in the -1 PRF region. We found that the sequence has remained largely unchanged during the pandemic, with observed changes maintaining the overall architecture of the -1 PRF signals. In the small percentage of in GenBank and GISAID entries with changes in the PRF region relative to the reference sequence, we identified a recurrent C to U change at position 13,536. This position lies in the functional center of the three-stemmed pseudoknot. Interestingly, the conversion of the G<sub>13493</sub>-C<sub>13536</sub> Watson-Crick pair into a wobble G-U pair results in a pseudoknot structure that closely resembles its counterpart in the Middle East respiratory syndrome coronavirus (MERS-CoV).

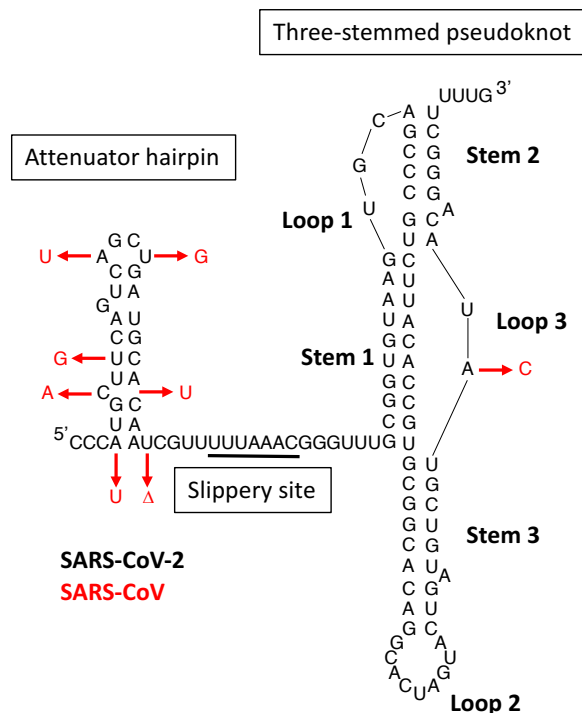
## RESULTS

**Comparative analysis of -1 PRF SARS-CoV-2 sequences obtained from GenBank and GISAID reveals a frequent change.** We initially assessed the frequency of mutations in -1 frameshift signal region of SARS-CoV-2 (Figure 1) by analyzing sequences that were available in GenBank as of June 6, 2020. Only sequences longer than 29 kb were analyzed. Of the 5,156 sequences, 4,947 had -1 PRF signal identical to that of the Wuhan-Hu-1 reference sequence (NC\_045512.2)<sup>7</sup>. The alignment of the sequences that did not contain an identical -1 PRF signal showed that within the pseudoknot region, position 13536 was most variable; it was changed from C in the reference strain to U in most cases (Supplementary Figure 1). This change was found in 12 isolates (0.23% frequency) from various origins. We refer to the C<sub>13536</sub>-to-U change as a type 1 mutation.

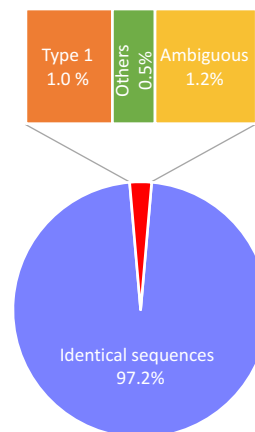
We next extended this analysis to the larger collection of sequence data available from GISAID (<https://www.epicov.org>)<sup>36,37</sup>. Data were downloaded using “complete”, “high coverage only”, and “low coverage excluded” filtering functions. In this ensemble of 27,153 entries, conservation of the -1 PRF signal of reference strain was found for 26,405 strains, which corresponds to 97.2% (Figure 2). This agreed with the observation that any two genomes contain pairwise differences of 9.6 single nucleotide polymorphisms on average when considering the 85-nucleotide length of the -1 PRF signal<sup>34</sup>. The alignment of 748 sequences that did not have PRF sequence identical to that of the reference sequence revealed 418 entries with fewer than 5 ambiguous nucleotides, 93.3% of these have a single nucleotide mutation in the PRF signal. In 281 entries (1% of all sequences analyzed), the PRF region sequence was identical to that of the type 1 mutant (Figure 2). A nucleotide variation plot clearly shows that the variation is concentrated at position 13536 (Figure 3).

There is only one nucleotide difference in the three-stemmed pseudoknot structure between SARS-CoV and SARS-CoV-

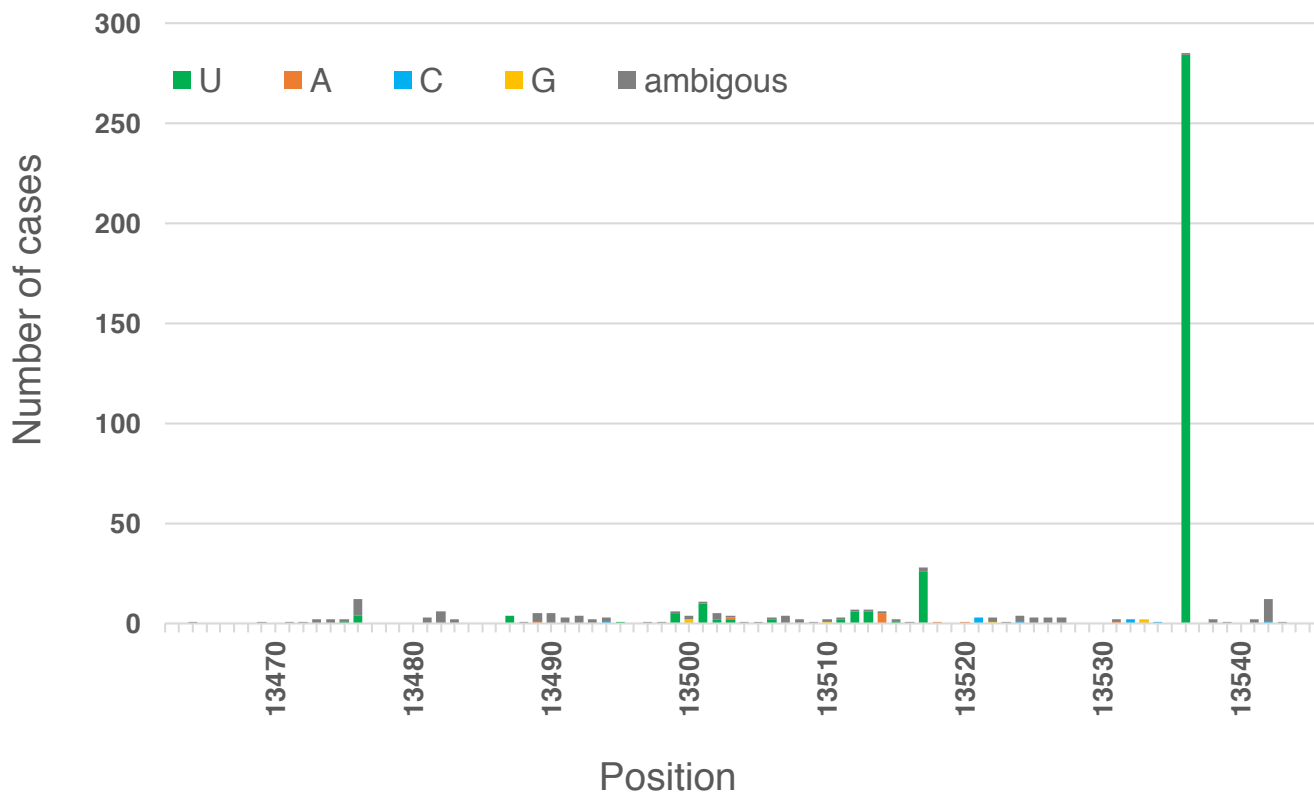
2<sup>33</sup>. In SARS-CoV-2, position 13533 is A, and in SARS-CoV this position is C (Figure 4). None of the SARS-CoV-2 strains analyzed had C at this position (Figure 3).



**Figure 1.** Secondary structure of the -1 PRF attenuator, slippery site (underlined), and three-stemmed pseudoknot elements of SARS-CoV-2. Differences with the SARS-CoV sequence are indicated in red (deletion: Δ).



**Figure 2.** Conservation of -1 PRF region sequences among SARS-CoV-2 isolates from GISAID (n=27,153).



**Figure 3.** Nucleotide variations found in three-stemmed pseudoknot sequence of SARS-CoV-2 among SARS-CoV-2 isolates from GISAID (n=27,153). Number of mutations found at each position of the three-stemmed pseudoknot sequence are shown with changes indicated by bar color. Positions refer to that of the Wuhan-Hu-1 reference sequence.

**No consistent changes are observed in the 5' attenuator stem-loop.** In SARS-CoV, a short attenuator stem-loop was identified just upstream of the slippery sequence<sup>27,28</sup>. A comparative sequence analysis showed that in SARS-CoV-2, this stem-loop is not as highly conserved as the three-stemmed pseudoknot sequence<sup>33</sup> (Figure 4). In SARS-CoV, the hairpin is capped by a UNCG tetraloop<sup>38,39</sup> whereas it is an AGNN tetraloop in SARS-CoV-2<sup>40,41</sup> (Figure 1). In SARS-CoVs, the stem consists of 8 to 10 base pairs. In the 35-nucleotide attenuator region of the SARS-CoV-2 isolates from the GenBank dataset, only 2.6% of the strains had attenuator hairpin sequences that differed from that of the Wuhan-Hu-1 strain (Supplementary Figure 2). Most of these strains had ambiguities in this region (more than 5 ambiguous bases in the 35-nucleotide region analyzed). Only 21 entries that had no ambiguities had mutations in the attenuator stem-loop, and none of the mutations were observed more than once. Therefore, in this hairpin, we did not identify a specific nucleotide with a strong frequency of change.

**Occurrence of type 1 changes increased over time.** GISAID allows rapid data sharing, and changes in sequence over the time can be monitored. There was a considerable increase in the frequency of the type 1 change over time (Figure 5). The frequency increased 6 fold from 0.5% in March 2020 to 3% in May 2020.

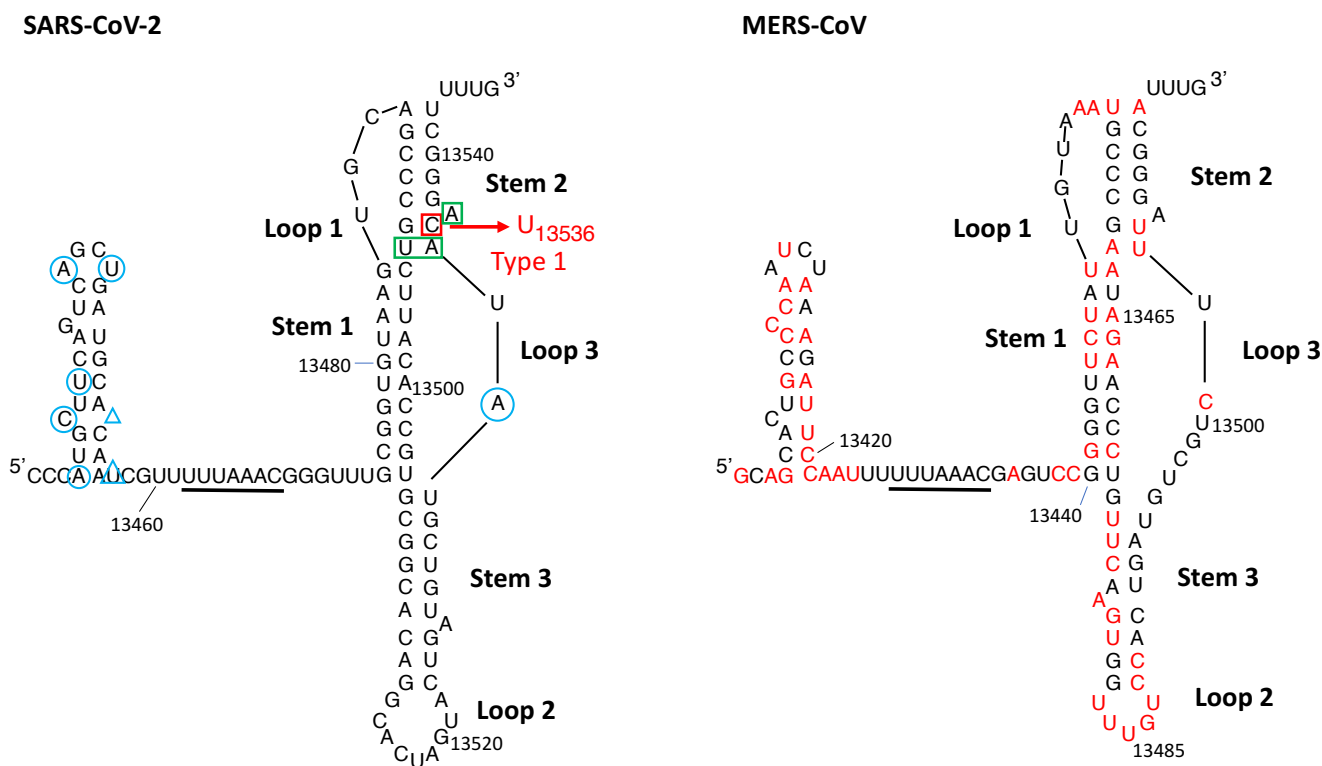
**The type 1 mutation alters the pseudoknot functional center.** In the secondary structure of the Wuhan-Hu-1

reference sequence, the Watson-Crick pair  $G_{13493}-C_{13536}$  lies in the vicinity of the junction between stems 1 and 2 and loop 3. The type 1 mutation likely results in the formation of a non-canonical G-U pair in the upper part of stem 2. When we compared the SARS-CoV-2 pseudoknot structure with that of related coronaviruses, we found that there is a G-U pair at the same position in the MERS-CoV pseudoknot (Figure 4). This G-U pair is flanked by two structural elements identified as important for -1 PRF efficiency in SARS-CoV: the first Watson-Crick base pair of stem 2 ( $U_{13424}-A_{13465}$  in SARS-CoV and  $A_{13462}-U_{13503}$  in MERS-CoV) and a bulged adenosine residue ( $A_{13467}$  and  $A_{13505}$ , respectively)<sup>22</sup>. Consequently, the type 1 change is located in the functional center of the -1 PRF pseudoknot and the C to U substitution at position 13,536 results in interesting similarities with MERS-CoV.

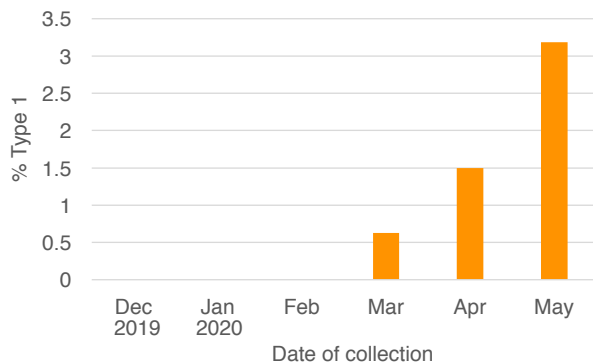
**The type 1 change may have resulted from RNA editing.** The deamination of cytosine into uracil is mediated by the cytidine deaminase APOBEC (Apolipoprotein B mRNA Editing Catalytic Polypeptide-like) family of proteins<sup>42,43</sup>. APOBECs are responsible for widespread C-to-U RNA editing of cellular transcripts. Different family members act in different tissues and cell types, and the enzyme APOBEC3A has activity in pro-inflammatory macrophages and in monocytes exposed to hypoxia and/or interferons<sup>44</sup>. APOBEC1 is expressed in the liver, and a shorter isoform that results from mRNA editing is detected in the small intestine. APOBECs display different sequence requirements around the target C. In SARS-CoV-2, bases flanking the  $C_{13536}$  to U mutation site match the consensus sequence of

APOBEC1 (A/U-C-A/U) (Figure 4)<sup>42,45</sup>. A second RNA element important for editing is an 11-nucleotide mooring sequence downstream of the target C. In SARS-CoV-2, the similarity with the consensus mooring sequence of APOBEC1 is only partial. The spacer between the C<sub>13536</sub> and the mooring sequence is 8 nucleotides long, within the 2- to

8-nucleotide length commonly found<sup>46</sup>. Thus, it is possible that the C<sub>13536</sub> to U change that we identified resulted from an RNA editing event.



**Figure 4.** Secondary structures of the -1 PRF elements in SARS-CoV-2 and MERS-CoV. Bases that are different between the two sequences are highlighted in red in the MERS-CoV sequence (NC\_019843, GenBank)<sup>47</sup>. Bases that differ between SARS-CoV (NC\_004718, GenBank)<sup>48</sup> and SARS-CoV-2 are indicated on the SARS-CoV-2 sequence with blue circles; deletions and insertions are indicated with blue triangles. Bases important for -1 PRF efficiency in SARS-CoV are marked by green boxes. The type 1 change that we have identified in SARS-CoV-2 is indicated by a red box. The type 1 mutation likely results in a non-canonical G-U pair as is observed in MERS-CoV.



**Figure 5.** Occurrences of the SARS-CoV-2 type 1 change during the COVID-19 pandemic.

## DISCUSSION

As in all sequenced coronaviruses, a -1 frameshift is necessary for expression of SARS-CoV-2 early proteins such as the RNA-dependent RNA polymerase. Ribosomal frameshifting is stimulated by a three-stemmed RNA pseudoknot. As the COVID-19 pandemic continues, SARS-CoV-2 will likely evolve as it adapts to its human host<sup>34</sup>. Here we focused on the sequence variability of the -1 PRF signals by analysis of 5,156 SARS-CoV-2 sequences that were available in the GenBank as of June 6, 2020 and 27,153 entries from GISAID available as of June 7, 2020. We found that the 85-nucleotide -1 PRF region is highly conserved with 95.7% and 97.2% of isolates, respectively, identical in this region to the reference sequence, Wuhan-Hu-1 (NC\_045512.2). Among the isolates with differences from the reference sequence in the -1 PRF region, there is a recurrent change. This change, which we refer to as a type 1 mutation, corresponds to substitution of C with U in stem 2

of the pseudoknot. SARS-CoV-2 encodes a 3'-to-5' exoribonuclease in nonstructural protein 14 (nsp14-ExoN) which ensures high-fidelity replication. When nsp14-ExoN is inactivated, the spectrum of mutations introduced by the Nsp12 RNA-dependent RNA polymerase becomes apparent<sup>49</sup>. As the C-to-U transition is not a frequent change introduced by the polymerase, it is possible that it originates from RNA editing by a cytosine deaminase<sup>35,42,43</sup>.

Biophysical single-molecule assays and kinetics studies on ensembles revealed how the interplay between the conformational plasticity of RNA-inducing frameshifting structures and the dynamics of the ribosome play a critical role in the -1 PRF mechanism<sup>50-54</sup>. Interestingly, the type 1 change results in the substitution of a G-C Watson-Crick pair in the functional core of the SARS-CoV-2 pseudoknot with a wobble G-U pair. This likely alters the conformational plasticity of the pseudoknot with possible functional consequences as the dynamics of this region of the RNA are critical for frameshifting efficiency<sup>22</sup>.

There is a lack of clinically effective antiviral drugs for treatment of highly pathogenic coronaviruses<sup>55</sup>. Since frameshifts are essential, the PRF region is a target for drug development<sup>32,33</sup>. The small molecule MTDB binds to the SARS-CoV pseudoknot and inhibits ribosomal frameshifting<sup>31</sup>. Since the functional center of SARS-CoV pseudoknot was identified as the drug binding site, by analogy the same regions in SARS-CoV-2 and MERS-CoV might as well form sites that could be bound by small molecules to inhibit viral replication.

Our analysis showed that during the COVID-19 pandemic, the sequence of the stimulator pseudoknot has been highly conserved. However, it is interesting to note that the tolerated type 1 change modifies the functional center of the SARS-CoV-2 pseudoknot to closely resemble its counterpart in MERS-CoV.

## METHODS

**Sequence analysis.** Genomic sequences of SARS-CoV-2 isolates were downloaded from the SARS-CoV-2 data hub of the NCBI Virus website<sup>56</sup>. All the sequences longer than 29,000 bases that were released by June 6, 2020 were analyzed (5,156 sequences). Sequences that did not contain a region identical to the -1 frameshift signal of Wuhan-Hu-1 strain (5'-TTTAAACGGGTTTGCGGTGTAAGTGCAGCCCGTCTTACACCGTGCAGGCACAGGCACTAGTACTGATGTCGTATACAGGGCTTTTG-3')<sup>7,33</sup> were selected. From the selected sequences, a 2,500-base region (11,500 to 14,000 bases from the 5' end) containing the 85 nucleotides of the -1 PRF region of ORF1a/b were extracted and aligned using ClustalX software<sup>57</sup>. For attenuator hairpin, the same analysis was performed using the 35 nucleotides including this hairpin-forming sequence: (5'-CCCATGCTTCAGTCAGCTGATGCACAATCGTTTTT-3').

For the analysis of data from GISAID, sequences available as of June 7, 2020 were downloaded from GISAID Initiative EpiCoV platform using “complete”, “high coverage only”, and “low coverage excluded” filtering functions. Sequences derived from animals (bat and pangolin) were excluded. A total of 27,153 sequences were analyzed as described for the

GenBank sequence analysis. A full acknowledgements table of the laboratories where the clinical specimens and/or virus isolates were obtained and laboratories where data have been generated was obtained from the GISAID website and is included as Supplementary Table 1.

## AUTHOR INFORMATION

### Corresponding Author

\* E-mail: [satoko.yoshizawa@i2bc.paris-saclay.fr](mailto:satoko.yoshizawa@i2bc.paris-saclay.fr)

## REFERENCES

1. Jacks, T. *et al.* Characterization of ribosomal frameshifting in HIV-1 gag-pol expression. *Nature* **331**, 280–283 (1988).
2. Wilson, W. *et al.* HIV expression strategies: ribosomal frameshifting is directed by a short sequence in both mammalian and yeast systems. *Cell* **55**, 1159–1169 (1988).
3. Brierley, I. *et al.* An efficient ribosomal frameshifting signal in the polymerase-encoding region of the coronavirus IBV. *EMBO J.* **6**, 3779–3785 (1987).
4. Irigoyen, N. *et al.* High-Resolution Analysis of Coronavirus Gene Expression by RNA Sequencing and Ribosome Profiling. *PLoS Pathog.* **12**, e1005473 (2016).
5. Gao, Y. *et al.* Structure of the RNA-dependent RNA polymerase from COVID-19 virus. *Science* **368**, 779–782 (2020).
6. Hillen, H. S. *et al.* Structure of replicating SARS-CoV-2 polymerase. *Nature* (2020) doi:10.1038/s41586-020-2368-8.
7. Wu, F. *et al.* A new coronavirus associated with human respiratory disease in China. *Nature* **579**, 265–269 (2020).
8. Dinman, J. D. Mechanisms and implications of programmed translational frameshifting. *Wiley Interdiscip Rev RNA* **3**, 661–673 (2012).
9. Atkins, J. F., Loughran, G., Bhatt, P. R., Firth, A. E. & Baranov, P. V. Ribosomal frameshifting and transcriptional slippage: From genetic steganography and cryptography to adventitious use. *Nucleic Acids Res.* **44**, 7007–7078 (2016).
10. Belew, A. T. & Dinman, J. D. Cell cycle control (and more) by programmed -1 ribosomal frameshifting: implications for disease and therapeutics. *Cell Cycle* **14**, 172–178 (2015).
11. Caliskan, N., Peske, F. & Rodnina, M. V. Changed in translation: mRNA recoding by -1 programmed ribosomal frameshifting. *Trends Biochem. Sci.* **40**, 265–274 (2015).
12. Gaudin, C. *et al.* Structure of the RNA signal essential for translational frameshifting in HIV-1. *J. Mol. Biol.* **349**, 1024–1035 (2005).
13. Larsen, B., Gesteland, R. F. & Atkins, J. F. Structural probing and mutagenic analysis of the stem-loop required for *Escherichia coli* dnaX ribosomal frameshifting: programmed efficiency of 50%. *J. Mol. Biol.* **271**, 47–60 (1997).



14. Mazaauric, M. H., Seol, Y., Yoshizawa, S., Visscher, K. & Fourmy, D. Interaction of the HIV-1 frameshift signal with the ribosome. *Nucleic Acids Res* **37**, 7654–64 (2009).
15. Staple, D. W. & Butcher, S. E. Solution structure and thermodynamic investigation of the HIV-1 frameshift inducing element. *J. Mol. Biol.* **349**, 1011–1023 (2005).
16. Puglisi, J. D., Wyatt, J. R. & Tinoco, I. A pseudoknotted RNA oligonucleotide. *Nature* **331**, 283–286 (1988).
17. Shen, L. X. & Tinoco, I. The structure of an RNA pseudoknot that causes efficient frameshifting in mouse mammary tumor virus. *J. Mol. Biol.* **247**, 963–978 (1995).
18. Cornish, P. V., Hennig, M. & Giedroc, D. P. A loop 2 cytidine-stem 1 minor groove interaction as a positive determinant for pseudoknot-stimulated -1 ribosomal frameshifting. *Proc. Natl. Acad. Sci. U.S.A.* **102**, 12694–12699 (2005).
19. Michiels, P. J. *et al.* Solution structure of the pseudoknot of SRV-1 RNA, involved in ribosomal frameshifting. *J. Mol. Biol.* **310**, 1109–1123 (2001).
20. Su, L., Chen, L., Egli, M., Berger, J. M. & Rich, A. Minor groove RNA triplex in the crystal structure of a ribosomal frameshifting viral pseudoknot. *Nat. Struct. Biol.* **6**, 285–292 (1999).
21. Baranov, P. V. *et al.* Programmed ribosomal frameshifting in decoding the SARS-CoV genome. *Virology* **332**, 498–510 (2005).
22. Plant, E. P. *et al.* A three-stemmed mRNA pseudoknot in the SARS coronavirus frameshift signal. *PLoS Biol.* **3**, e172 (2005).
23. Dos Ramos, F., Carrasco, M., Doyle, T. & Brierley, I. Programmed -1 ribosomal frameshifting in the SARS coronavirus. *Biochem. Soc. Trans.* **32**, 1081–1083 (2004).
24. Belew, A. T. *et al.* Ribosomal frameshifting in the CCR5 mRNA is regulated by miRNAs and the NMD pathway. *Nature* **512**, 265–269 (2014).
25. Naphthine, S. *et al.* Protein-directed ribosomal frameshifting temporally regulates gene expression. *Nat Commun* **8**, 15582 (2017).
26. Wang, X. *et al.* Regulation of HIV-1 Gag-Pol Expression by Shiftless, an Inhibitor of Programmed -1 Ribosomal Frameshifting. *Cell* **176**, 625–635.e14 (2019).
27. Cho, C.-P., Lin, S.-C., Chou, M.-Y., Hsu, H.-T. & Chang, K.-Y. Regulation of programmed ribosomal frameshifting by co-translational refolding RNA hairpins. *PLoS ONE* **8**, e62283 (2013).
28. Su, M.-C., Chang, C.-T., Chu, C.-H., Tsai, C.-H. & Chang, K.-Y. An atypical RNA pseudoknot stimulator and an upstream attenuation signal for -1 ribosomal frameshifting of SARS coronavirus. *Nucleic Acids Res.* **33**, 4265–4275 (2005).
29. Plant, E. P., Rakauskaitė, R., Taylor, D. R. & Dinman, J. D. Achieving a golden mean: mechanisms by which coronaviruses ensure synthesis of the correct stoichiometric ratios of viral proteins. *J. Virol.* **84**, 4330–4340 (2010).
30. Plant, E. P., Sims, A. C., Baric, R. S., Dinman, J. D. & Taylor, D. R. Altering SARS coronavirus frameshift efficiency affects genomic and subgenomic RNA production. *Viruses* **5**, 279–294 (2013).
31. Park, S.-J., Kim, Y.-G. & Park, H.-J. Identification of RNA pseudoknot-binding ligand that inhibits the -1 ribosomal frameshifting of SARS-coronavirus by structure-based virtual screening. *J. Am. Chem. Soc.* **133**, 10094–10100 (2011).
32. Ritchie, D. B., Soong, J., Sikkema, W. K. A. & Woodside, M. T. Anti-frameshifting ligand reduces the conformational plasticity of the SARS virus pseudoknot. *J. Am. Chem. Soc.* **136**, 2196–2199 (2014).
33. Kelly, J. A. & Dinman, J. D. Structural and functional conservation of the programmed -1 ribosomal frameshift signal of SARS-CoV-2. 12 (2020) doi:10.1101/2020.03.13.991083.
34. van Dorp, L. *et al.* Emergence of genomic diversity and recurrent mutations in SARS-CoV-2. *Infect. Genet. Evol.* **83**, 104351 (2020).
35. Giorgio, S. D., Martignano, F., Torcia, M. G., Mattiuz, G. & Conticello, S. G. Evidence for host-dependent RNA editing in the transcriptome of SARS-CoV-2. *Science Advances* eabb5813 (2020) doi:10.1126/sciadv.abb5813.
36. Elbe, S. & Buckland-Merrett, G. Data, disease and diplomacy: GISAID's innovative contribution to global health. *Glob Chall* **1**, 33–46 (2017).
37. Shu, Y. & McCauley, J. GISAID: Global initiative on sharing all influenza data - from vision to reality. *Euro Surveill.* **22**, (2017).
38. Cheong, C., Varani, G. & Tinoco, I. Solution structure of an unusually stable RNA hairpin, 5'GGAC(UUCG)GUCC. *Nature* **346**, 680–682 (1990).
39. Woese, C. R., Gutell, R., Gupta, R. & Noller, H. F. Detailed analysis of the higher-order structure of 16S-like ribosomal ribonucleic acids. *Microbiology and Molecular Biology Reviews* **47**, 621–669 (1983).
40. Lebars, I., Lamontagne, B., Yoshizawa, S., Aboul-Elela, S. & Fourmy, D. Solution structure of conserved AGNN tetraloops: insights into Rnt1p RNA processing. *EMBO J.* **20**, 7250–7258 (2001).
41. Wu, H. *et al.* A novel family of RNA tetraloop structure forms the recognition site for *Saccharomyces cerevisiae* RNase III. *EMBO J.* **20**, 7240–7249 (2001).
42. Lerner, T., Papavasiliou, F. N. & Pecori, R. RNA Editors, Cofactors, and mRNA Targets: An Overview of the C-to-U RNA Editing Machinery and Its Implication in Human Disease. *Genes (Basel)* **10**, (2018).
43. Salter, J. D., Bennett, R. P. & Smith, H. C. The APOBEC Protein Family: United by Structure, Divergent in Function. *Trends Biochem Sci* **41**, 578–594 (2016).

44. Sharma, S. *et al.* APOBEC3A cytidine deaminase induces RNA editing in monocytes and macrophages. *Nat Commun* **6**, 6881 (2015).
45. Rosenberg, B. R., Hamilton, C. E., Mwangi, M. M., Dewell, S. & Papavasiliou, F. N. Transcriptome-wide sequencing reveals numerous APOBEC1 mRNA-editing targets in transcript 3' UTRs. *Nat. Struct. Mol. Biol.* **18**, 230–236 (2011).
46. Driscoll, D. M., Lakhe-Reddy, S., Oleksa, L. M. & Martinez, D. Induction of RNA editing at heterologous sites by sequences in apolipoprotein B mRNA. *Mol. Cell. Biol.* **13**, 7288–7294 (1993).
47. van Boheemen, S. *et al.* Genomic characterization of a newly discovered coronavirus associated with acute respiratory distress syndrome in humans. *mBio* **3**, (2012).
48. Marra, M. A. *et al.* The Genome sequence of the SARS-associated coronavirus. *Science* **300**, 1399–1404 (2003).
49. Smith, E. C., Blanc, H., Surdel, M. C., Vignuzzi, M. & Denison, M. R. Coronaviruses lacking exoribonuclease activity are susceptible to lethal mutagenesis: evidence for proofreading and potential therapeutics. *PLoS Pathog.* **9**, e1003565 (2013).
50. White, K. H., Orzechowski, M., Fourmy, D. & Visscher, K. Mechanical unfolding of the beet western yellow virus -1 frameshift signal. *J. Am. Chem. Soc.* **133**, 9775–9782 (2011).
51. Chen, J. *et al.* Dynamic pathways of -1 translational frameshifting. *Nature* **512**, 328–332 (2014).
52. Choi, J., O'Loughlin, S., Atkins, J. F. & Puglisi, J. D. The energy landscape of -1 ribosomal frameshifting. *Sci Adv* **6**, eaax6969 (2020).
53. Ritchie, D. B., Foster, D. A. N. & Woodside, M. T. Programmed -1 frameshifting efficiency correlates with RNA pseudoknot conformational plasticity, not resistance to mechanical unfolding. *PNAS* **109**, 16167–16172 (2012).
54. Caliskan, N., Katunin, V. I., Belardinelli, R., Peske, F. & Rodnina, M. V. Programmed -1 frameshifting by kinetic partitioning during impeded translocation. *Cell* **157**, 1619–1631 (2014).
55. Gordon, D. E. *et al.* A SARS-CoV-2 protein interaction map reveals targets for drug repurposing. *Nature* (2020) doi:10.1038/s41586-020-2286-9.
56. Hatcher, E. L. *et al.* Virus Variation Resource - improved response to emergent viral outbreaks. *Nucleic Acids Res.* **45**, D482–D490 (2017).
57. Larkin, M. A. *et al.* Clustal W and Clustal X version 2.0. *Bioinformatics* **23**, 2947–2948 (2007).