



HAL
open science

Continual learning using hash-routed convolutional neural networks

Ahmad Berjaoui

► **To cite this version:**

Ahmad Berjaoui. Continual learning using hash-routed convolutional neural networks. 2020. hal-02961848

HAL Id: hal-02961848

<https://hal.science/hal-02961848>

Preprint submitted on 8 Oct 2020

HAL is a multi-disciplinary open access archive for the deposit and dissemination of scientific research documents, whether they are published or not. The documents may come from teaching and research institutions in France or abroad, or from public or private research centers.

L'archive ouverte pluridisciplinaire **HAL**, est destinée au dépôt et à la diffusion de documents scientifiques de niveau recherche, publiés ou non, émanant des établissements d'enseignement et de recherche français ou étrangers, des laboratoires publics ou privés.

Continual learning using hash-routed convolutional neural networks

Ahmad Berjaoui
IRT Saint-Exupéry, Toulouse, France
ahmad.berjaoui@irt-saintexupery.com

Abstract

Continual learning could shift the machine learning paradigm from *data centric* to *model centric*. A continual learning model needs to scale efficiently to handle semantically different datasets, while avoiding unnecessary growth. We introduce hash-routed convolutional neural networks: a group of convolutional units where data flows dynamically. Feature maps are compared using feature hashing and similar data is routed to the same units. A hash-routed network provides excellent plasticity thanks to its routed nature, while generating stable features through the use of orthogonal feature hashing. Each unit evolves separately and new units can be added (to be used only when necessary). Hash-routed networks achieve excellent performance across a variety of typical continual learning benchmarks without storing raw data and train using only gradient descent. Besides providing a continual learning framework for supervised tasks with encouraging results, our model can be used for unsupervised or reinforcement learning.

1 Introduction

When faced with a new modeling challenge, a data scientist will typically train a model from a class of models based on her/his expert knowledge and retain the best performing one. The trained model is often useless when faced with different data. Retraining it on new data will result in poor performance when trying to reuse the model on the original data. This is what is known as *catastrophic forgetting* [12]. Although transfer learning avoids retraining networks from scratch, keeping the acquired knowledge in a trained model and using it to learn new tasks is not straightforward. The real knowledge remains with the human expert. Model training is usually a *data centric* task. Continual learning [23] makes model training a *model centric* task by maintaining acquired knowledge in previous learning tasks.

Recent work in continual (or lifelong) learning has focused on supervised classification tasks and most of the developed algorithms do not generate stable features that could be used for unsupervised learning tasks, as would a more generic algorithm such as the one we present. Models should also be able to adapt and scale reasonably to accommodate different learning tasks without using an exponential amount of resources, and preferably with little data scientist intervention.

To tackle this challenge, we introduce hash-routed networks (HRN). A HRN is composed of multiple independent processing units. Unlike typical convolutional neural networks (CNN), the data flow between these units is determined dynamically by measuring similarity between hashed feature maps. The generated feature maps are stable. Scalability is insured through unit evolution and by increasing the number of available units, while avoiding exponential memory use.

This new type of network maintains stable performance across a variety of tasks (including semantically different tasks). We describe expansion, update and regularization algorithms for continual learning. We validate our approach using multiple publicly available datasets, by comparing supervised classification performance. Benchmarks include Pairwise-MNIST, MNIST/Fashion-MNIST [26] and SVHN/incremental-Cifar100 [8, 13].

Relevant background is introduced in section 2. Section 3 details the hash-routing algorithm and discusses its key attributes. Section 4 compares our work with other continual learning and dynamic network studies. A large set of experiments is carried out in section 5.

2 Feature hashing background

Feature hashing, also known as the "hashing trick" [25] is a dimension reduction transformation with key properties for our work. A feature hashing function $\phi : \mathbb{R}^N \rightarrow \mathbb{R}^s$, can be built using two uniform hash functions $h : \mathbb{N} \rightarrow \{1, 2, \dots, s\}$ and $\xi : \mathbb{N} \rightarrow \{-1, 1\}$, as such:

$$\phi_i(\mathbf{x}) = \sum_{j:h(j)=i}^N \xi(j)x_j$$

where ϕ_i denotes the i^{th} component of ϕ . Inner product is preserved as $\mathbb{E}[\phi(\mathbf{a})^T \phi(\mathbf{b})] = \mathbf{a}^T \mathbf{b}$. ϕ provides an unbiased estimator of the inner product. It can also be shown that if $\|\mathbf{a}\|_2 = \|\mathbf{b}\|_2 = 1$, then $\sigma_{\mathbf{a}, \mathbf{b}} = \mathcal{O}(\frac{1}{s})$.

Two different hash functions ϕ and ϕ' (e.g. $h \neq h'$ or $\xi \neq \xi'$) are orthogonal. In other words, $\forall (\mathbf{v}, \mathbf{w}) \in \text{Im}(\phi) \times \text{Im}(\phi'), \mathbb{E}[\mathbf{v}^T \mathbf{w}] \approx 0$. Furthermore, Weinberger et al. [25] details the inner product bounds, given $\mathbf{v} \in \text{Im}(\phi)$ and $\mathbf{x} \in \mathbb{R}^N$:

$$Pr(|\mathbf{v}^T \phi'(\mathbf{x})| > \epsilon) \leq 2 \exp\left(-\frac{\epsilon^2/2}{s^{-1} \|\mathbf{v}\|_2^2 \|\mathbf{x}\|_2^2 + \|\mathbf{v}\|_\infty \|\mathbf{x}\|_\infty \epsilon/3}\right) \quad (1)$$

Eq.1 shows that approximate orthogonality is better when ϕ' handles bounded vectors. Data independent bounds can be obtained by setting $\|\mathbf{x}\|_\infty = 1$ and replacing \mathbf{v} by $\frac{\mathbf{v}}{\|\mathbf{v}\|_2}$, which leads to $\|\mathbf{x}\|_2^2 \leq N$ and $\|\mathbf{v}\|_\infty \leq 1$, hence:

$$Pr(|\mathbf{v}^T \phi'(\mathbf{x})| > \epsilon) \leq 2 \exp\left(-\frac{\epsilon^2/2}{s^{-1} \|\mathbf{x}\|_2^2 + \|\mathbf{v}\|_\infty \epsilon/3}\right) \leq 2 \exp\left(-\frac{\epsilon^2/2}{N/s + \epsilon/3}\right) \quad (2)$$

3 Hash-routed networks

3.1 Structure

A hash-routed network \mathcal{H} is composed of M units $\{\mathcal{U}_1, \dots, \mathcal{U}_M\}$. Each unit \mathcal{U}_k is composed of:

- A series of convolution operations f_k . It is characterized by a number of input channels and a number of output channels, resulting in a vector of trainable parameters \mathbf{w}_k . Note that f_k can also include pooling operations.
- An orthonormal projection basis \mathbf{B}_k . It contains a maximum of m non-zeros orthogonal vectors of size s . Each basis is filled with zero vectors at first. These will be replaced by non-zero vectors during training.
- A feature hashing function ϕ_k that maps a feature vector of any size to a vector of size s .

The network also has an independent feature hashing function ϕ_0 . All the feature hashing functions are different but generate feature vectors of size s .

3.2 Operation

3.2.1 Hash-routing algorithm

\mathcal{H} maps an input sample x to a feature vector $\mathcal{H}(x)$ of size s . In a vanilla CNN, x would go through a series of deterministic convolutional layers to generate feature maps of growing size. In a HRN, the convolutional layers that will be involved will vary depending on intermediate results.

Feature hashing is used to route operations. Intermediate features are hashed and projected upon the

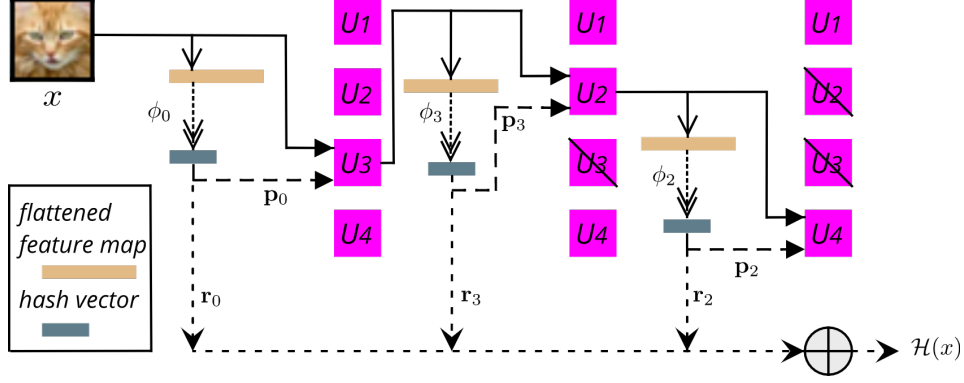


Figure 1: A hash-routed network with 4 units and a depth of 3. In this example, \mathcal{U}_3 is selected first as the hashed flattened image has the highest projection (\mathbf{p}_0) magnitude onto its basis. The structured image passes through the unit’s convolution filters, generating the feature map in the middle. This process is repeated twice whilst disregarding used units at each level. The final output is the sum of all projection residues. *Best viewed in color.*

units projection basis. The unit where the projection’s magnitude is the highest is selected for the next operation. Operations continue until a maximum depth d is reached (i.e. there is a limit of $d - 1$ chained operations), or when the projection residue is below a given threshold τ_d . $\mathcal{H}(x)$ is the sum of all residues.

Let $\{\mathcal{U}_{i_1}, \mathcal{U}_{i_2}, \dots, \mathcal{U}_{i_{d-1}}\}$ be the ordered set of units involved in processing x (assuming the final projection residue’s magnitude is greater than τ_d). Operation 0 simply involves hashing the (flattened) input sample using ϕ_0 . Let $x_{i_k} = f_{i_k} \circ f_{i_{k-1}} \circ \dots \circ f_{i_1}(x)$ be the intermediate features obtained at operation k . The normalized hashed features vector after operation k is computed as such:

$$\mathbf{h}_{i_k} = \frac{\phi_{i_k} \left(\frac{x_{i_k}}{\|x_{i_k}\|_\infty} \right)}{\left\| \phi_{i_k} \left(\frac{x_{i_k}}{\|x_{i_k}\|_\infty} \right) \right\|_2} \quad (3)$$

For operation 0, \mathbf{h}_{i_0} is computed using x and ϕ_0 .

$\mathbf{p}_{i_k} = \mathbf{B}_{i_{k+1}} \mathbf{h}_{i_k}$ and $\mathbf{r}_{i_k} = \mathbf{h}_{i_k} - \mathbf{p}_{i_k}$ are the projection vector and residue vector over basis $\mathbf{B}_{i_{k+1}}$ resp. As explained earlier, this means that:

$$i_{k+1} = \operatorname{argmax}_{j \in \mathcal{I} \setminus \{i_1, \dots, i_k\}} \|\mathbf{B}_j \mathbf{h}_{i_k}\|_2 \quad (4)$$

where \mathcal{I} is the subset of initialized units (i.e. units with basis containing at least one non-zero vector). Finally,

$$\mathcal{H}(x) = \sum_{j \in \{i_0, \dots, i_{d-1}\}} \mathbf{r}_j \quad (5)$$

The full inference algorithm is summarized in Algorithm 1 and an example is given in Figure 1.

3.2.2 Analysis

The output of a typical CNN is a feature map with a dimension that depends on the number of output channels used in each convolutional layer. In a HRN, this would lead to a variable dimension output as the final feature map depends on the routing. In a continual learning setup, dealing with variable dimension feature maps would be impractical. Feature hashing circumvents these problems by generating feature vectors of fixed dimension.

Similar feature maps get to be processed by the same units, as a consequence of using feature hashing for routing. In this context, similarity is measured by the inner product of flattened feature maps, projected onto different orthogonal subspaces (each unit basis span). Another consequence is that unit weights become specialized in processing a certain type of features, rather than having to adapt to task specific features. This provides the kind of stability needed for continual learning.

Algorithm 1: Hash-routed inference

Input: x
Output: $H = \mathcal{H}(x)$
 $\mathbf{h}_0 = \phi_0(x); \mathcal{J} = \emptyset$
 $H \leftarrow 0; \mathbf{h} \leftarrow \mathbf{h}_0; y \leftarrow x$
for $j = 1, \dots, d-1$ **do**
 $i_j = \operatorname{argmax}_{k \in \mathcal{I} \setminus \mathcal{J}} \|\mathbf{B}_k \mathbf{h}\|_2$; // select the best unit
 $\mathbf{r} \leftarrow \mathbf{h} - \mathbf{B}_{i_j} \mathbf{h}$; // compute new residue
 $H \leftarrow H + \mathbf{r}$; // accumulate residue for output
 $\mathcal{J} \leftarrow \mathcal{J} \cup \{i_j\}$; // update set of used units
 if $\|\mathbf{r}\|_2 < \tau_d$ **then**
 break; // stop processing when residue is too low
 else
 $y \leftarrow f_{i_j}(y)$; // compute feature map
 $\mathbf{h} \leftarrow \frac{\phi_{i_j}(\frac{y}{\|y\|_\infty})}{\|\phi_{i_j}(\frac{y}{\|y\|_\infty})\|_2}$; // new hash vector using flattened feature map
 end
end

For a given unit \mathcal{U}_k , $\operatorname{rank}(\mathbf{B}_k) \leq m \ll s$. Hence, it is reasonable to consider that the orthogonal subspace’s contribution to total variance is much more important than that of \mathbf{B}_k . This is why $\mathcal{H}(x)$ only contains projection residues. Note that in Eq.3, $\mathbf{h}_{i_k} \in \operatorname{Im}(\phi_{i_k})$ and $\|\mathbf{h}_{i_k}\|_2 = 1$. The operand under ϕ_{i_k} has an infinite norm of 1, which under Eq.2 leads to inner product bounds independent of input data when considering orthogonality.

Moreover, due to the approximate orthogonality of different feature hashing functions, summing the residues will not lead to much information loss as each residue vector \mathbf{r}_{i_k} is in $\operatorname{Im}(\phi_{i_{k-1}})$ but this also explains why each unit can only be selected once. The residues’ ℓ_1 -norms are added to the loss function to induce sparsity. Denoting \mathcal{L}_T the specific loss for task T (e.g. KL-divergence for supervised classification), the final loss \mathcal{L} is:

$$\mathcal{L} = \mathcal{L}_T + \lambda \sum_{j \in \{i_0, \dots, i_{d-1}\}} \|\mathbf{r}_j\|_1 \quad (6)$$

3.3 Online basis expansion and update

The following paragraphs explain a unit’s evolution during training. The described algorithms run each time a unit is selected in Algorithm 1, requiring no external action.

3.3.1 Initialization and expansion

Units projection basis are at the heart of the hash-routing algorithm. As explained in section 3.2.1, basis are initially empty and undergo expansion during training. A hash vector (Eq.3) is used to select a unit according to Eq.4. When all units are still empty, a unit is picked randomly and its basis is initialized using the hash vector. Let \mathcal{I} denote the subset of initialized units. When $\mathcal{I} \neq \emptyset$ but some units are still empty, units are still selected according to Eq.4 under the condition that the projection’s magnitude is above a minimal threshold τ_{empty} . When τ_{empty} is not surpassed, a random unit from the remaining empty units is selected instead.

Assuming a unit has been selected as the best for a given hash vector, its basis can expand when the projection’s magnitude is below the expansion threshold τ_{expand} . The normalized projection’s residue is used as the next basis element. This follows a Gram-Schmidt orthonormalising process to maintain orthonormal basis for each unit. Each basis has a maximum size of m beyond which it cannot expand. The unit selection and expansion algorithms are summarized in Appendix.A.

3.3.2 Update

Once a unit basis is full (i.e. it does not contain any zero vector), it still needs to evolve to accommodate routing needs. As the network trains, hashed features will also change and routing might

need adjustment. If nothing is done to update full basis, the network might get "stuck" in a bad configuration. Network weights would then need to change in order to compensate for improper routing, resulting in a decrease in performance. Nevertheless, basis should not be updated too frequently as this would lead to instability and units would then need to learn to deal with too many routing configurations.

An *aging* mechanism can be used to stabilize basis update as training progresses. Each time a unit is selected, a counter is incremented and when it reaches its maximum *age*, it is updated. The maximum age can then be increased by means of a geometric progression.

Using the aging mechanism, it becomes possible to apply the update process to basis that are not yet full, thus adding more flexibility. Hence, some basis can expand to include new vectors and update existing ones.

Basis can be updated by replacing vectors that lead to routing instability. Each non-zero basis vector \mathbf{v}_k has a *low projection counter* c_k . During training, when a unit has been selected, the basis vector with the lowest projection magnitude sees its low projection counter incremented. The update algorithm is summarized in Algorithm 2.

Algorithm 2: Unit update

Input: Current basis (excluding zero-vectors): $\mathbf{B} = (\mathbf{v}_1, \dots, \mathbf{v}_m)$,

Current low projection counters: (c_1, \dots, c_m) ,

Current age: a , Current maximum age: α , Aging rate: $\rho > 1$,

Latest hash vector \mathbf{h}

Output: Updated basis

```

if  $a = \alpha$  then
     $i = \operatorname{argmax}\{c_j\};$            // find basis vector to replace
     $\mathbf{v}_i \leftarrow \mathbf{h} - \mathbf{B}_{-i}\mathbf{h};$  // remove projection on the reduced basis  $\mathbf{B}_{-i}$ 
                                     // (without  $\mathbf{v}_i$ )
     $\mathbf{v}_i \leftarrow \frac{\mathbf{v}_i}{\|\mathbf{v}_i\|_2}$ 
     $\alpha \leftarrow \rho\alpha;$            // update maximum age
     $a \leftarrow 0;$                  // reset age counter
     $c_i \leftarrow 0;$                // reset low projection counter
else
     $a \leftarrow a + 1;$            // increment current age
     $i = \operatorname{argmin}\|\mathbf{v}_j^T\mathbf{h}\|_2;$  // find low projection counter to increment
     $c_i \leftarrow c_i + 1$ 

```

3.4 Training and scalability

HRNs generate feature vectors that can be used for a variety of learning tasks. Given a learning task, optimal network weights can be computed via gradient descent. Feature vectors can be used as input to a fully connected network, to match a given label distribution in the case of supervised learning. As explained in Algorithm 1, each input sample is processed differently and can lead to a different computation graph. Batching is still possible and weight updates only apply to units involved in processing batch data. Weight updates is regularized using the residue vector's norm at each unit level. Low magnitude residue vectors have little contribution to the network's output thus their impact on training of downstream units should be limited. Denoting \mathcal{L} a learning task loss function, \mathbf{r} the hash vector projection residue over a unit's basis, \mathbf{w} the vector of the unit's trainable weights and γ a learning rate, regularized weight update of \mathbf{w} becomes:

$$\mathbf{w} \leftarrow \mathbf{w} - \gamma \min(1, \|\mathbf{r}\|_2) \nabla \mathcal{L}(\mathbf{w}) \quad (7)$$

A HRN can scale simply by adding extra units. Note that adding units between each learning task is not always necessary to insure optimal performance. In our experiments, units were manually added after some learning tasks but this expansion process could be made automatic.

4 Related work

Dynamic networks Using handcrafted rigid models has obvious limits in terms of scalability. [22] builds a binary tree CNN with a routed dataflow. Routing heuristics requires intermediate evaluation

on training data. It uses fully connected layers to select a branch. [21] builds LSH [2] hash tables of fully connected layer weights to select relevant activations but this does not apply to CNN.

Continual learning [15] offers a thorough review of state-of-the-art continual learning techniques and algorithms, insisting on a key trade-off: stability vs plasticity. [10] groups continual learning algorithms into 3 categories: *regularization*, *architectural* and *rehearsal*. [7] introduces a regularization technique using the Fisher information matrix to avoid updating important network weights. [29] achieves the same goal by measuring weight importance through its contribution to overall loss evolution across a given number of updates. [16] is closer to our setup. The authors continuously train an encoder with different decoders for each task while keeping a stable feature map. Knowledge distillation [4] is used to avoid significant changes to the generated features between each task. A key limitation of this technique is, as mentioned in [16], that the encoder will never evolve beyond its inherent capacity as its architecture is frozen.

[9] also uses knowledge distillation in a supervised learning setup but systematically enlarges the last layers to handle new classes. [28] limits network expansion by enforcing sparsity when training with extra neurons. Useless neurons are then removed. [27] uses reinforcement learning to optimize network expansion but does not fully take advantage of the inherent network capacity as network weights are frozen before each new task. [19] learns attention nearly-binary masks to avoid updating parts of the network when training for a new task, but scalability is again limited by the chosen architecture.

[3, 11, 17] store data from previous tasks in various ways to be reused during the current task (rehearsal). [18, 20, 24] make use of generative networks to regenerate data from previous tasks. [5, 6, 14] use neuroscience inspired concepts such as short-term/long-term memories and a *fear* mechanism to selectively store data during learning tasks, whereas we store a limited number of hashed feature maps in each unit basis, updated using an *aging* mechanism.

5 Experiments

We test our approach in scenarios of increasing complexity and using semantically different datasets. Supervised classification scenarios involve a single HRN that is used across all tasks to generate a feature vector that is fed to different classifiers (one classifier per task). Each classifier is trained only during the task at hand, along with the common HRN. Once the HRN has finished training for a given task, test data from previous tasks is re-encoded using the latest version of the HRN. The new feature vectors are fed into the trained (and frozen) classifiers and accuracy for previous tasks is measured once more.

We compare our approach against 3 other algorithms: a vanilla convolutional network (**VC**) for feature generation with a different classifier per task; Elastic Weight Consolidation (**EWC**) [7], a typical benchmark for continual learning; Encoder Based Lifelong learning (**ELL**) [16], involving a common feature generator with a different classifier per task. For a fair comparison, we used the same number of epochs per task and the same architecture for classifiers and convolutional layers. For VC, EWC and ELL, the convolutional encoder is equivalent to the unit combination in HRN leading to the largest feature map. Feature codes used in ELL autoencoders (see [16] for more detail) have the same size as the hashed-feature vectors in HRN. The following scenarios were considered. **Pairwise-MNIST** Each task is a binary classification of handwritten digits: 0/1, 2/3, ...etc. for a total of 5 tasks (5 epochs each). In this case, tasks are semantically comparable. A 4 units HRN with a depth of 3 was used.

MNIST/Fashion-MNIST There are two 10-classes supervised classification tasks, first the Fashion-MNIST dataset, then the MNIST dataset. This a 2 tasks scenario with semantically different datasets. A 6 units HRN (depth of 3) was used for the first task and 2 units were added for the second task.

SVHN/incremental-Cifar100 This is a 11 tasks scenario, where each task is a 10-classes supervised classification. Task 0 (8 epochs) involves the SVHN dataset. Tasks 1 to 10 (15 epochs each), involve 10 classes out of the 100 classes available in the Cifar100 dataset (new classes are introduced incrementally by groups of 10). All datasets are semantically different, especially task 0 and the others. A HRN of 6 units (depth of 3) was used for the SVHN task and 2 extra units were added before the 10 Cifar100 tasks series.

Comparative analysis Figure 2 and Table 1 show that HRN maintains a stable performance for the initial task, in comparison to other techniques, even in the most complex scenario. Table 1 shows



Figure 2: Task 0 accuracy evaluation after each task. *Top*: SVHN/incremental-Cifar100. *Bottom-left*: Pairwise-MNIST. *Bottom-right*: MNIST/Fashion-MNIST. *Best viewed in color*.

that HRN performance degradation for all tasks is very low (even slightly positive in some cases). However, it also shows that maximum accuracy for each task is often slightly lower in comparison to VC and ELL. Indeed, units in a HRN are not systematically updated at each training step and would hence, require a few more epochs to reach top task accuracy as with VC.

Routing and network analysis After a few epochs, we observe that some units are used more frequently than others. However, we observe significant changes in usage ratios especially when changing tasks and datasets (see Figure 3). This clearly shows the network’s adaptability when dealing with new data. Moreover, some units are almost never used (e.g. \mathcal{U}_6 in Figure 3). This shows that the HRN only uses what it needs and that adding extra units does not necessarily lead to better performance.

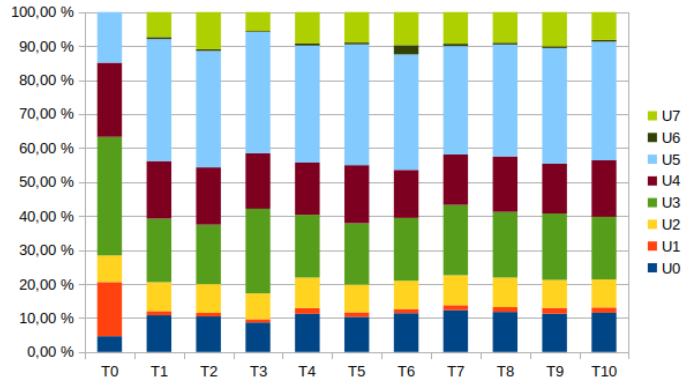


Figure 3: HRN units relative usage ratios for the SVHN/incremental-Cifar100 scenario. Units 6 and 7 were added after T0 (SVHN). *Best viewed in color*.

	T0	T1	T2	T3	T4	T5	T6	T7	T8	T9	T10
VC	88,34 20,46	61,70 43,10	59,60 51,40	67,80 60,30	59,10 51,60	66,10 61,00	66,70 60,30	67,70 64,60	63,70 60,90	66,20 62,40	70,10
EWC	81,75 14,17	48,60 54,70	43,80 7,10	50,40 8,20	41,00 5,30	44,60 7,80	45,30 12,40	55,70 25,90	49,80 21,60	45,70 22,50	48,20
ELL	87,52 47,13	60,50 54,70	57,70 48,10	67,60 63,70	59,60 52,90	63,90 57,90	65,20 63,00	67,80 66,40	61,80 61,60	62,80 62,60	70,20
HRN	75,08 74,55	55,10 48,10	50,10 48,10	57,90 55,90	51,70 51,90	55,80 56,30	55,50 55,90	55,90 55,80	54,10 54,60	50,00 50,00	59,00
	T0	T1	T2	T3	T4			T0	T1		
VC	99,76 55,84	98,97 92,46	99,89 96,26	99,80 99,60	98,49			VC	88,79 61,53	98,00	
EWC	99,53 71,44	95,64 89,81	87,57 63,34	94,66 94,86	86,79			EWC	82,51 72,27	80,00	
ELL	99,81 73,43	99,04 88,79	99,50 99,25	99,70 99,60	98,79			ELL	88,66 49,71	90,70	
HRN	98,49 93,10	90,74 89,37	95,62 96,80	95,67 95,62	94,91			HRN	86,00 84,00	95,00	

Table 1: Minimal and maximal accuracy for each task. *Top*: SVHN/incremental-Cifar100. *Bottom-left*: Pairwise-MNIST. *Bottom-right*: MNIST/Fashion-MNIST.

Hyperparameters and ablation Appendix.B details the impact of key hyperparameters. Most importantly, the ℓ_1 -norm constraint over the residue vectors (see Eq.6) plays a crucial role in keeping long-term performance but slightly reduces short-term performance. This can be compensated by increasing the number of epochs per task. We have also considered keeping the projection vectors in the output of HRN (the output would be the sum of projection vectors concatenated with the sum of residue vectors) but we saw no significant impact on performance.

6 Conclusion and future work

We have introduced the use of feature hashing to generate dynamic configurations in modular convolutional neural networks. Hash-routed convolutional networks generate stable features that exhibit excellent stability and plasticity across a variety of semantically different datasets. Results show excellent feature generation stability, surpassing typical and comparable continual learning benchmarks. Continual supervised learning using HRN still involves the use of different classifiers, even though compression techniques (such as [1]) can reduce required memory. This limitation is also a design choice, as it does not limit the use of HRN to supervised classification. Future work will explore the use of HRN in unsupervised and reinforcement learning setups.

References

- [1] Wenlin Chen, James Wilson, Stephen Tyree, Kilian Weinberger, and Yixin Chen. Compressing neural networks with the hashing trick. In *International conference on machine learning*, pages 2285–2294, 2015.
- [2] Aristides Gionis, Piotr Indyk, Rajeev Motwani, et al. Similarity search in high dimensions via hashing. In *Vldb*, volume 99, pages 518–529, 1999.
- [3] Tyler L Hayes, Nathan D Cahill, and Christopher Kanan. Memory efficient experience replay for streaming learning. In *2019 International Conference on Robotics and Automation (ICRA)*, pages 9769–9776. IEEE, 2019.
- [4] Geoffrey Hinton, Oriol Vinyals, and Jeff Dean. Distilling the knowledge in a neural network. *arXiv preprint arXiv:1503.02531*, 2015.
- [5] Nitin Kamra, Umang Gupta, and Yan Liu. Deep generative dual memory network for continual learning. *arXiv preprint arXiv:1710.10368*, 2017.

- [6] Ronald Kemker and Christopher Kanan. Fearnert: Brain-inspired model for incremental learning. *arXiv preprint arXiv:1711.10563*, 2017.
- [7] James Kirkpatrick, Razvan Pascanu, Neil Rabinowitz, Joel Veness, Guillaume Desjardins, Andrei A Rusu, Kieran Milan, John Quan, Tiago Ramalho, Agnieszka Grabska-Barwinska, et al. Overcoming catastrophic forgetting in neural networks. *Proceedings of the national academy of sciences*, 114(13):3521–3526, 2017.
- [8] Alex Krizhevsky, Geoffrey Hinton, et al. Learning multiple layers of features from tiny images. 2009.
- [9] Zhizhong Li and Derek Hoiem. Learning without forgetting. *IEEE transactions on pattern analysis and machine intelligence*, 40(12):2935–2947, 2017.
- [10] Vincenzo Lomonaco and Davide Maltoni. Core50: a new dataset and benchmark for continuous object recognition. *arXiv preprint arXiv:1705.03550*, 2017.
- [11] David Lopez-Paz and Marc’Aurelio Ranzato. Gradient episodic memory for continual learning. In *Advances in Neural Information Processing Systems*, pages 6467–6476, 2017.
- [12] Michael McCloskey and Neal J Cohen. Catastrophic interference in connectionist networks: The sequential learning problem. In *Psychology of learning and motivation*, volume 24, pages 109–165. Elsevier, 1989.
- [13] Yuval Netzer, Tao Wang, Adam Coates, Alessandro Bissacco, Bo Wu, and Andrew Y Ng. Reading digits in natural images with unsupervised feature learning. 2011.
- [14] German I Parisi, Jun Tani, Cornelius Weber, and Stefan Wermter. Lifelong learning of spatiotemporal representations with dual-memory recurrent self-organization. *Frontiers in neurobotics*, 12:78, 2018.
- [15] German I Parisi, Ronald Kemker, Jose L Part, Christopher Kanan, and Stefan Wermter. Continual lifelong learning with neural networks: A review. *Neural Networks*, 2019.
- [16] Amal Rannen, Rahaf Aljundi, Matthew B Blaschko, and Tinne Tuytelaars. Encoder based lifelong learning. In *Proceedings of the IEEE International Conference on Computer Vision*, pages 1320–1328, 2017.
- [17] Sylvestre-Alvise Rebuffi, Alexander Kolesnikov, Georg Sperl, and Christoph H Lampert. icarl: Incremental classifier and representation learning. In *Proceedings of the IEEE conference on Computer Vision and Pattern Recognition*, pages 2001–2010, 2017.
- [18] Amanda Rios and Laurent Itti. Closed-loop gan for continual learning. *CoRR*, 2018.
- [19] Joan Serra, Didac Suris, Marius Miron, and Alexandros Karatzoglou. Overcoming catastrophic forgetting with hard attention to the task. *arXiv preprint arXiv:1801.01423*, 2018.
- [20] Hanul Shin, Jung Kwon Lee, Jaehong Kim, and Jiwon Kim. Continual learning with deep generative replay. In *Advances in Neural Information Processing Systems*, pages 2990–2999, 2017.
- [21] Ryan Spring and Anshumali Shrivastava. Scalable and sustainable deep learning via randomized hashing. In *Proceedings of the 23rd ACM SIGKDD International Conference on Knowledge Discovery and Data Mining*, pages 445–454, 2017.
- [22] Ryutaro Tanno, Kai Arulkumaran, Daniel C. Alexander, Antonio Criminisi, and Aditya V. Nori. Adaptive neural trees. *CoRR*, abs/1807.06699, 2018. URL <http://arxiv.org/abs/1807.06699>.
- [23] Sebastian Thrun. A lifelong learning perspective for mobile robot control. In *Intelligent Robots and Systems*, pages 201–214. Elsevier, 1995.
- [24] Gido M van de Ven and Andreas S Tolias. Generative replay with feedback connections as a general strategy for continual learning. *arXiv preprint arXiv:1809.10635*, 2018.
- [25] Kilian Weinberger, Anirban Dasgupta, John Langford, Alex Smola, and Josh Attenberg. Feature hashing for large scale multitask learning. In *Proceedings of the 26th annual international conference on machine learning*, pages 1113–1120, 2009.
- [26] Han Xiao, Kashif Rasul, and Roland Vollgraf. Fashion-mnist: a novel image dataset for benchmarking machine learning algorithms, 2017.
- [27] Ju Xu and Zhanxing Zhu. Reinforced continual learning. In *Advances in Neural Information Processing Systems*, pages 899–908, 2018.
- [28] Jaehong Yoon, Eunho Yang, Jeongtae Lee, and Sung Ju Hwang. Lifelong learning with dynamically expandable networks. *arXiv preprint arXiv:1708.01547*, 2017.
- [29] Friedemann Zenke, Ben Poole, and Surya Ganguli. Continual learning through synaptic intelligence. In *Proceedings of the 34th International Conference on Machine Learning-Volume 70*, pages 3987–3995. JMLR. org, 2017.

Appendix

A Selection and expansion algorithms

Algorithm 3: Unit selection and initialization

Input: Hash vector \mathbf{h} ,
 Initialized units subset \mathcal{I} (\mathcal{I}^0 is the subset of empty units),
 Used units subset \mathcal{J}
Output: Selected unit \mathcal{U}_i

```

if  $\mathcal{I} = \emptyset$  then
  | Select a random unit  $\mathcal{U}_i$ 
  |  $\mathbf{B}_i \leftarrow (\mathbf{h})$ ; // initialize its basis using  $\mathbf{h}$ 
else
  | if  $\mathcal{I}^0 = \emptyset$  or  $\max_{j \in \mathcal{I} \setminus \mathcal{J}} \|\mathbf{B}_j \mathbf{h}\|_2 \geq \tau_{empty}$  then
  | | Select unit according to Eq.4
  | else
  | | Select a random unit  $\mathcal{U}_i$  from the remaining empty units
  | |  $\mathbf{B}_i \leftarrow (\mathbf{h})$ ; // initialize its basis using  $\mathbf{h}$ 

```

Algorithm 4: Unit expansion

Input: Hash vector \mathbf{h} , initialized unit \mathcal{U}_i
 $\mathbf{p} = \mathbf{B}_i \mathbf{h}$
 $\mathbf{r} = \mathbf{h} - \mathbf{p}$
if $\|\mathbf{p}\|_2 < \tau_{expand}$ **and** $nonzero(\mathbf{B}_i) < m$ **then**
 | $\mathbf{B}_i \leftarrow (\mathbf{B}_i, \frac{\mathbf{r}}{\|\mathbf{r}\|})$; // replace a zero vector with the normalized residue

B Hyperparameters and ablation analysis

	Long-term accuracy	Max task accuracy	Training time
No gradient regularization (see Eq.7)	–	++	=
No residue constraint ($\lambda = 0$ in Eq.6)	--	+	=
No basis update (Algorithm 2)	–	--	++
High aging rate (high ρ)	–	+	++
Low basis size (low m)	--	+	++
High hashed-feature vector size (high s)	++	++	--
High depth (high d)	+	++	--

Table 2: Impact of key hyperparameters. Positive (negative *resp.*) impact is represented by plus (negative *resp.*) signs. For example, not applying the basis update algorithm decreases significantly training time, but also maximum task accuracy and decreases slightly long term accuracy for the first task.