



HAL
open science

Spurious Phase Correction in Multi-Shot MRSI

N El Sabbagh, C Chassain, H Ratiney, G Pages, J M Bonny

► **To cite this version:**

N El Sabbagh, C Chassain, H Ratiney, G Pages, J M Bonny. Spurious Phase Correction in Multi-Shot MRSI. ESMRMB 2020 - 37th Annual Scientific Meeting, Sep 2020, Barcelona, Spain. hal-02957409

HAL Id: hal-02957409

<https://hal.science/hal-02957409v1>

Submitted on 5 Oct 2020

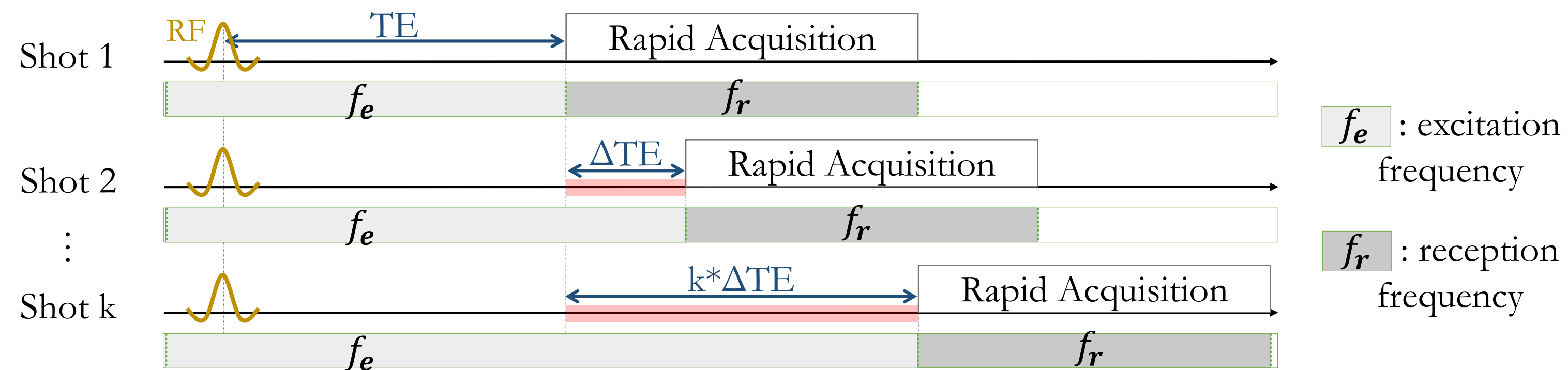
HAL is a multi-disciplinary open access archive for the deposit and dissemination of scientific research documents, whether they are published or not. The documents may come from teaching and research institutions in France or abroad, or from public or private research centers.

L'archive ouverte pluridisciplinaire **HAL**, est destinée au dépôt et à la diffusion de documents scientifiques de niveau recherche, publiés ou non, émanant des établissements d'enseignement et de recherche français ou étrangers, des laboratoires publics ou privés.

I. Introduction

- Multi-shot CSI : CS study during the TE increments (ΔTE) (refer to Fig1)
- Importance of maintaining a phase coherency during ΔTE
- Phase coherency's loss induces spectral distortion

Fig1: MRSI encoding scheme & frequency switching.



II. Problem

Slice Selection:

- Done with shifting the excitation frequency proportionally to the wanted position z :

$$\Delta f_e(z) = SW \times \frac{z}{FOV_z}$$
 Ergo, $\Delta f_e = 0$ for centred slice ($z = 0$)

However:

- Unwanted additional phase can be accumulated during ΔTE s leading to spectral distortion, hence improper images \rightarrow Correction is mandatory !

III. Two Proposed Solutions

1. Post-Processing Correction (**pP-C**). With S the acquired signal, k the number of shot:

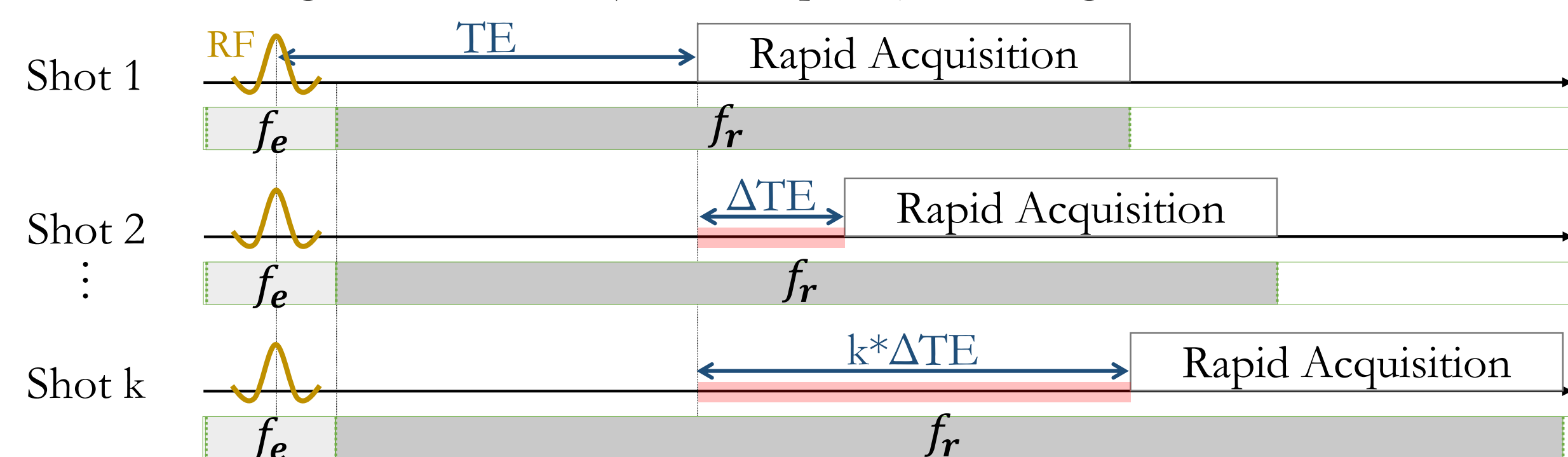
$$S_{corrected}(k, z) = S_{raw}(k, z) \times \exp(-i2\pi \times \Delta f_e(z) \times (k - 1) \times \Delta TE)$$

2. Switching from the f_e to the f_r (dependent on the readout position and independent of z) after the excitation pulse (**RF-switch**):

$$S_{corrected}(k) = S_{raw}(k) \times \exp(-i2\pi \times \Delta f_r \times (k - 1) \times \Delta TE)$$

For non-Cartesian spatial encoding, readout is always centred. Ergo $\Delta f_r = 0$.

Fig2: MRSI encoding scheme with adjusted frequency switching -**RF-switch**.



IV. Application

Correction methods were applied on ^{13}C multi-shot CSI recorded with IDEAL SPIRAL [1] at a static magnetic field of 11.7 T.

Experimental Details:

- Phantom of four syringes containing ^{13}C -labelled Lactate (4 M, 182.2 ppm), Alanine (1.85 M, 175.8 ppm), Pyruvic acid (16.4 M, 174.5 ppm) and Urea (16.4 M, 162.5 ppm)
- Parameter optimisation through effective number of signal averages (NSA) [1] analysis : 7 shots and $\Delta TE = 0.86$ ms
- For non hyperpolarized molecules: TR = 10 s, TE = 1.69 ms and a slice thickness of 15 mm
- Image resolution of $(0.78 \times 0.78 \times 15 \text{ mm}^3)$

1. doi 10.1002/mrm.23212

Fig3: ^{13}C metabolite maps of ^{13}C -labelled molecules, for a centred and a shifted slice, superimposed on a 1H reference image.

