



HAL
open science

Multidisciplinary Design Optimization Framework with Coupled Derivative Computation for Hybrid Aircraft

Alessandro Sgueglia, Peter Schmollgruber, Nathalie Bartoli, Emmanuel Bénard, Joseph Morlier, John Jasa, Joaquim R.R.A. Martins, John T. Hwang, Justin S. Gray

► To cite this version:

Alessandro Sgueglia, Peter Schmollgruber, Nathalie Bartoli, Emmanuel Bénard, Joseph Morlier, et al.. Multidisciplinary Design Optimization Framework with Coupled Derivative Computation for Hybrid Aircraft. *Journal of Aircraft*, 2020, pp.1-15. 10.2514/1.C035509 . hal-02901428

HAL Id: hal-02901428

<https://hal.science/hal-02901428>

Submitted on 17 Jul 2020

HAL is a multi-disciplinary open access archive for the deposit and dissemination of scientific research documents, whether they are published or not. The documents may come from teaching and research institutions in France or abroad, or from public or private research centers.

L'archive ouverte pluridisciplinaire **HAL**, est destinée au dépôt et à la diffusion de documents scientifiques de niveau recherche, publiés ou non, émanant des établissements d'enseignement et de recherche français ou étrangers, des laboratoires publics ou privés.

This is a preprint of the following article:

A. Sgueglia, P. Schmollgruber, N. Bartoli, E. Benard, J. Morlier, J. Jasa, J. R. R. A. Martins J. T. Hwang and J. S. Gray., Multidisciplinary design optimization framework with coupled derivative computation for hybrid aircraft. *Journal of Aircraft*, 2020 (to be published).

The original article may differ from this preprint.

Multidisciplinary design optimization framework with coupled derivative computation for hybrid aircraft

Alessandro Sgueglia, Peter Schmollgruber, Nathalie Bartoli
ONERA/DTIS - Université de Toulouse, 31055, France

Emmanuel Benard, Joseph Morlier
ISAE-SUPAERO, Toulouse, 31055, France

John Jasa, Joaquim R. R. A. Martins
University of Michigan, Ann Arbor, 48109, MI, USA

John T. Hwang
University of California San Diego, San Diego, 92093, CA, USA

Justin S. Gray
NASA Glenn Research Center, Cleveland, 44139, OH, USA

Abstract

Hybrid electric aircraft are a potential way to reduce the environmental footprint of aviation. Research aimed at this subject has been pursued over the last decade; nevertheless, at this stage a full overall aircraft design procedure is still an open issue. This work proposes to enrich the procedure for the conceptual design of hybrid aircraft found in literature, through the definition of a multidisciplinary design optimization (MDO) framework, aimed at handling design problems for such kind of aircraft. The MDO technique has been chosen because the hybrid aircraft design problem shows more interaction between disciplines than a conventional configuration, and the classical approach based on multidisciplinary design analysis may neglect relevant features. The procedure has been tested on the case study of a single-aisle aircraft, featuring hybrid propulsion with distributed electric ducted fans. The analysis considers three configurations, with 16, 32 and 48 electric motors, compared with a conventional baseline at

the same 2035 technological horizon. To demonstrate the framework’s capability, these configurations are optimized with respect to fuel and energy consumption. It is shown that the hybrid-electric concept consumes less fuel/energy when it flies on short range, due to the partial mission electrification. When one increases the design range, penalties in weight introduced by hybrid propulsion overcome the advantages of electrified mission segment: the range for which hybrid aircraft has the same performance of the reference conventional aircraft is named “breakdown range”. Starting from this range the concept is no longer advantageous, compared to conventional aircraft. Furthermore, a trade-off between aerodynamic and propulsive efficiency is detected, and the optimal configuration is the one that balances these two effects. Finally, multiobjective optimization is performed, to establish a trade-off between airframe weight and energy consumption.

Nomenclature

AR	=	Aspect ratio
b	=	Span
\underline{c}_{CCM}	=	Vector containing the certification’s specification
c_r	=	Root chord
c_t	=	Tip chord
C_D	=	Drag coefficient
C_{D_0}	=	Drag coefficient at zero lift
$C_{D_{eq}}$	=	Trim drag coefficient
C_{D_i}	=	Induced drag coefficient
C_{D_w}	=	Wave drag coefficient
C_L	=	Lift coefficient
e	=	Specific energy density
E_c	=	Energy consumption
FPR	=	Fan pressure ratio
f, g, h, l	=	Generic function
k_e	=	Oswald coefficient
l_{nac}	=	Nacelle length
m_f	=	Fuel mass
$\mathcal{M}_{takeoff}$	=	Rotational momentum at takeoff
MFW	=	Maximum fuel weight
MLW	=	Maximum landing weight
MTOW	=	Maximum takeoff weight
\mathcal{N}	=	Yaw momentum
N_b	=	Number of batteries
N_{EM}	=	Number of engines
L/D	=	Lift to drag ratio
p	=	Specific power density
P	=	Power
PSFC	=	Power specific fuel consumption

R	=	Range
SM	=	Static margin
SoC	=	State of charge
$\frac{t}{c}$	=	Thickness to chord ratio
w_f	=	Fuselage width
x	=	Position along the x -axis
\underline{x}	=	design variables vector
y_k	=	Wing break section
V	=	Velocity

Subscripts

app	=	Approach
b	=	Battery
cs	=	Cooling system
g	=	Generator
HT	=	Horizontal tail
toc	=	Top of climb
ts	=	Turboshaft
VT	=	Vertical tail
w	=	Wing

Greek letters

α	=	Parameter, varying between 0 and 1
η	=	Efficiency
λ	=	Taper ratio
Λ_{25}	=	Sweep angle, at 25% of the chord
τ	=	Volume

1 Introduction

In recent years, the aviation industry has been facing constraints due to growing air traffic: without any action, its environmental footprint will be unsustainable [1]. To reduce the impact of aviation, disruptive changes at the aircraft level are required. Fostered by the progress made in the automotive industry, significant efforts have been achieved in promoting hybrid and electric concepts [2], coupled with new technologies such as distributed propulsion for thrust generation [3, 4] and boundary layer ingestion (BLI) technology [5, 6]. Distributed propulsion is a technology that has gained attention in past years, because it can increase the propulsive efficiency through the reduction of fan pressure ratios [3, 7, 8]. Distributed propulsion is particularly well-suited to electric aircraft because it is easier to distribute electric motors, as evidenced by its use in the NASA X-57 [9–14] and the NASA N3-X hybrid wing body concepts [15–18]. BLI ingests the boundary layer from the aircraft wing or fuselage to increase the aerodynamic efficiency [19, 20]. These two technologies are related and can enhance each other [4].

The main issue when dealing with a new concept aircraft is that most of the aircraft design methods used for conventional configurations are no longer applicable. Even

the basic Breguet equation has to be modified to take into account an electric power source, both on its own or coupled with another one [21, 22]. On a more complex level, hybrid-electric aircraft have more possible interactions between disciplines than a conventional aircraft [23–25]. As an example, thermal aspects play a key role in this kind of architecture and are a driver for the overall design, whereas they have no impact on a conventional aircraft [13, 26].

In the last few years, research has been focusing on the problem of defining a preliminary design sizing process. Isikveren [27] developed a set of strategies to deal with dual-energy aircraft in a general way, without focusing on the sources themselves. Pornet [28] and Cinar [29] presented a modified design process that includes hybrid-electric propulsion to evaluate aircraft performance. Ludowicy [30] performed comparative studies between different configurations for a light aircraft with serial distributed propulsion. De Vries et al. [31, 32] developed a preliminary design process that estimates the aeropropulsive effects in a distributed propulsion aircraft. However, these efforts do not take into account some key disciplines, such as thermal aspects and efficiencies.

Sgueglia et al. [33, 34] presented a revised conceptual design process that overcomes these limitations, in particular concerning the thermal management and the trajectory simulation, considering an aircraft featuring distributed electric propulsion. They considered all the key disciplines (aerodynamics, weights, structure, performance, thermal) for a large passenger aircraft with distributed electric propulsion. The level of detail achieved was still limited to the conceptual design level, since they use low-fidelity models, such as semi-empirical equations and the vortex-lattice method (VLM). Also, they considered modifications in the multidisciplinary design analysis (MDA) loop, but as stated by Brelje and Martins [2], an MDA approach may neglect relevant coupled features in the design of unconventional configurations. They identified Multidisciplinary Design Analysis and Optimization (MDAO, also referred as MDO) as the only way to deal with unconventional configurations [35]. MDO is a solution to deal with problems that present interactions between disciplines, due to its ability to take these interactions into account in reaching an optimal configuration [36], as demonstrated by Hwang and Ning [37].

Brelje and Martins [36] presented an open source framework that includes the optimization of small aircraft that considers mission trajectory. While this is a good step towards the optimization of hybrid-electric aircraft, it still relies on simplified assumptions, such as constant efficiency and specific fuel consumption over the trajectory. Most of the published work on hybrid-electric aircraft sizing has focused on the design of propeller-driven regional aircraft [31, 38, 39]; however, large transport aircraft represent a wide segment of commercial aviation.¹ Thus, considering the integration of hybrid-electric propulsion for large transport aircraft is of interest for next generation aircraft. There have been a few efforts in this area, such as the NASA N3-X concept [40] and the ONERA DRAGON [7]. Therefore, there is a need for the development of a full MDO procedure for the design optimization of large transport hybrid aircraft [2].

¹http://www.boeing.com/resources/boeingdotcom/commercial/about-our-market/assets/downloads/cmo_print_2016_final_updated.pdf

This work extends the work of Sgueglia et al. [33], developing the procedure for the conceptual design of hybrid aircraft that uses MDO. The main objective is to develop a tool for the design optimization and performance evaluation of hybrid-electric aircraft at the conceptual level, where all key disciplines are modeled with low fidelity to keep the computational cost low. The developed framework computes gradients for use with gradient-based optimization [35, 36]. At this stage, the aircraft is evaluated only considering its performance; stability, control, as well as operational aspects, are not taken into account.

To fulfill this goal, the existing sizing tool FAST (fixed-wing aircraft sizing tool) [41] is implemented within the OpenMDAO framework [42, 43]. FAST is an aircraft sizing tool that has already been tested on a large variety of configurations including turbojet [41, 44, 45], turboprop [46], and blended-wing-body aircraft [47, 48]).

OpenMDAO is an optimization framework that implements the MAUD architecture [43], which is an efficient way to compute coupled derivatives. Together with gradient-based optimization, this enables the solution of large-scale optimization problems [42]. OpenMDAO has been extensively used for various applications, such as aerostructural optimization [49], topology optimization [50], on-demand air mobility [37], small satellite design [51], aircraft design optimization with airline profit analysis [52] and BLI optimization using high fidelity tools [23, 53]. In this work, we use OpenMDAO version 2.4².

This paper describes the development of this integrated hybrid-electric aircraft analysis and design optimization framework, and presents results of its application to the design of a large transport aircraft with distributed propulsion. Section 2 presents a brief overview of the aircraft concept, which has been detailed in previous work [33]. Section 3 presents the integration between FAST and OpenMDAO, which represents the core development of the present work. This required the re-development of the aircraft design framework FAST to utilize the OpenMDAO features. The resulting tool is then demonstrated by performing the design optimization of the hybrid-electric aircraft in Section 4. We compare the developed tool with the original version of FAST, citing both advantages and drawbacks. We also compare the resulting optimal designs. Finally, Section 5 summarizes the findings of our work.

2 Hybrid-electric aircraft concept

2.1 Aircraft modeling

The case study considered in this work is a hybrid-electric large passenger aircraft with distributed electric fans previously proposed and studied by Sgueglia et al. [33]. This aircraft concept, shown in Fig. 1, assumes an entry into service (EIS) in 2035. The main features of this concept are that it flies fully electric at least up to 3000 ft (about 1 km), to reduce the emissions in the mean atmospheric boundary layer, where the convective effects are the most significant [54].

In this concept, the batteries are coupled with two turbogenerators (a combination

²<http://openmdao.org/twodocs/versions/2.4.0/index.html>

of a gas turbine and a electric generator) that supply the power to the distributed ducted fans. Among all the possible choices for the position of the fans, the wing upper inner surface is chosen to increase the wing circulation [55]. This increases the maximum lift coefficient [11, 12], making it possible to reduce the wing area, shorten the takeoff field length, or both. In addition, this concept is expected to save weight because of the absence of high-lift devices.

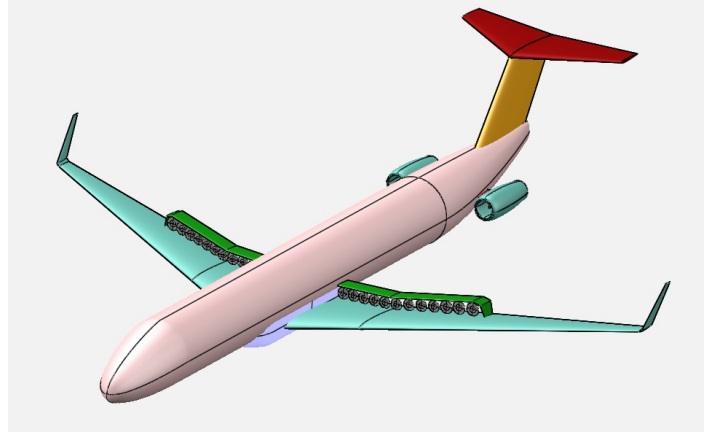


Figure 1: Hybrid-aircraft concept with distributed electric ducted fan, proposed by [33].

The main advantage of distributed propulsion is the potential to increase propulsive efficiency relative to conventional aircraft [8, 18, 56]. Due to the larger number of fans, it is possible to reduce the fan pressure ratio, leading to a propulsive efficiency larger than 0.9 [3]. Distributed propulsion also improves the aerodynamics [31, 32], but this effect is of second order compared to the over-wing blowing and can be neglected at the conceptual design level stage [57].

Turbogenerators are located at the rear to reduce the pylons' wetted area and avoid interference with the wing. Their position also increases passenger safety, since they are far from the cabin. A T-tail is adopted because of the turbogenerators' location. Batteries are located in the cargo area, split between the regions ahead of and behind the wing. This choice is dictated by the available volume and center of gravity positioning; the battery weight is significant and is the component that affects the center of gravity the most. The aircraft center of gravity is located around the center of gravity of the wing, so with this arrangement, the batteries do not move it significantly.

The fuselage weight is also affected by the batteries, due to the reinforcement to carry their weight. Preliminary studies show that the penalty is 5% for the baseline case. Linear extrapolation is considered for different values of battery volume. The percentage already includes a margin to be conservative. The maximum payload is decreased as well, since only part of the cargo area is available for luggage.

The core of the new concept is the hybrid-electric chain definition, which is described in next section, together with the description of most relevant models.

2.2 Propulsive system architecture

The propulsive system is depicted in Fig. 2, considering 40 distributed electric motors. As described in the previous section, batteries and generators are coupled to supply electric power. These are connected through a set of electrical buses. An electric line connects each power source to all the buses to avoid power losses in case of a bus failure. From these devices, the lines provide power to the electric motors and the ducted fans. Inverters convert the current type from DC to AC and vice versa. In the battery package, converters are used to bring current to the right transport voltage. Finally, breakers are installed to disconnect a line in case of failure.

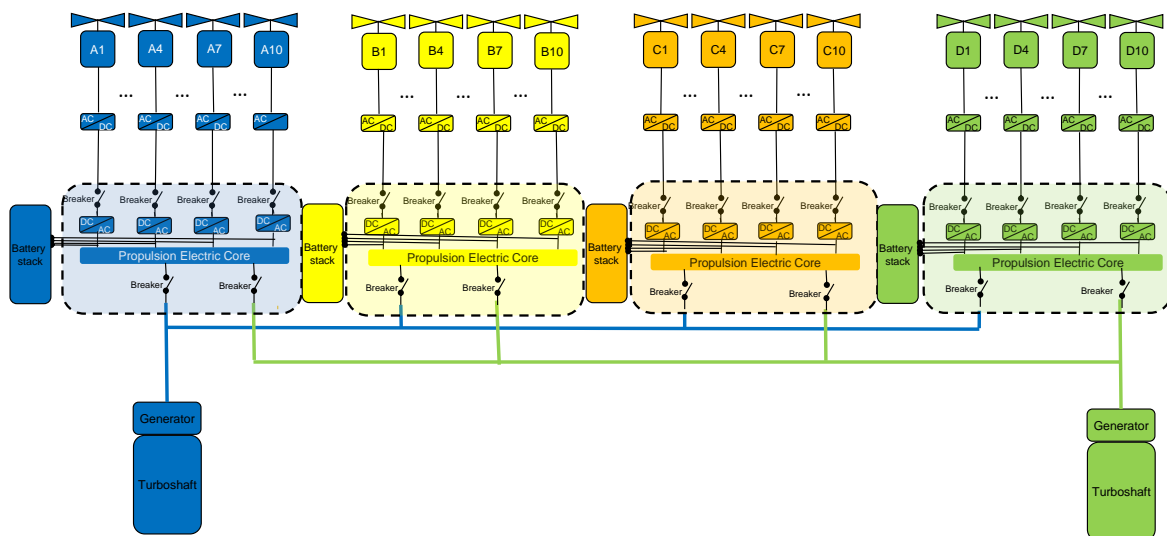


Figure 2: Propulsive system architecture used in the proposed hybrid-electric concept, considering as example 40 engines distributed along the wing.

The propulsion system architecture shows two different energy sources, and it intrinsically introduces a redundancy, since in case of failure of one energy source, the other can react to keep the required level of thrust. The propulsion system is sized by the case where one of the electric cores becomes inoperative. In this case, no loss of power is detected, but it must be distributed over a reduced number of components, resulting in an oversizing [57, 58]. The propulsion system sizing is detailed in the next section.

When dealing with electric components, the key parameters are the specific energy and the specific power density, following the notation used by Brelje and Martins [2]. These quantities are represented as subscripts e for specific energy density and p for specific power density. A detailed description of all the models adopted in this study can be found in previous work [33]. The electric components are sized considering their power density and the maximum power demand and the gas turbine is modelled with GSP [59]. We use a simplified model of the batteries that is detailed in the next

section.

3 Aircraft design optimization framework

3.1 Initial sizing loop for hybrid-electric aircraft

As previously mentioned, we use the aircraft design tool FAST [41]. This is a multidisciplinary design analysis (MDA) tool developed in Python and tailored for the conceptual design and performance evaluation for a given set of top level aircraft requirements (TLAR). Inputs are given through an XML file, which works also as an output file and stores the results of the sizing. FAST has been validated for the CERAS reference aircraft³, which is a public database that emulates the A320 aircraft. Results of this validation are detailed in [41].

FAST is a low fidelity tool: aerodynamic and mass estimation methods come from statistical data and empirical equations contained in classical design handbooks [60, 61]. Table 1 lists the methods implemented in FAST and provides the corresponding reference.

Discipline	Method	Reference
Geometry	Statistical equations	[60, 62, 63]
Aerodynamics	Semi-empirical equations, VLM	[61, 64]
Mass breakdown	Statistical equations	[65]
Performance	Time step approach	[66]

Table 1: Summary of the methods implemented in FAST, for each of the disciplines included in the conceptual design process.

Sgueglia et al. [33] developed a version of FAST tailored to the sizing of hybrid-electric aircraft, which we refer to as the *original version*. Algorithm 1 details the process used in the original version, while Fig. 3 represents the corresponding sizing loop, using XDSM [67]. In this notation the purple circular block represents the optimizer, meanwhile the orange one refers to an MDA loop. Green blocks represent the analysis, numbered according to the order of processing, and pink rectangles represent the functions. The main workflow is identified by the black line; gray lines represent instead the data sharing. Analysis outputs are indicated with a grey block, and finally I/O data are identified with a white block: inputs are at the top row, as outputs are at the left column. The notation \underline{x} represents the design variables vector, \underline{y} the state variables, apex (0) indicates an initial guess, t a target variable (that is, a variable that is a copy of a previous output) and * the final value.

The driven parameter for the procedure is the operating empty weight OEW: its value is estimated at step 7, after the mass breakdown (OEW_{mb}) and at step 8, after the performance calculation, as $OEW_{perfo} = MTOW - m_f - PL$. At convergence, these two values must match; if not the MTOW is updated for next iteration as in Eq. (1)

$$MTOW_{i+1} = MTOW_i + (OEW_{mb} - OEW_{perfo}) \quad (1)$$

³<https://ceras.ilr.rwth-aachen.de/>

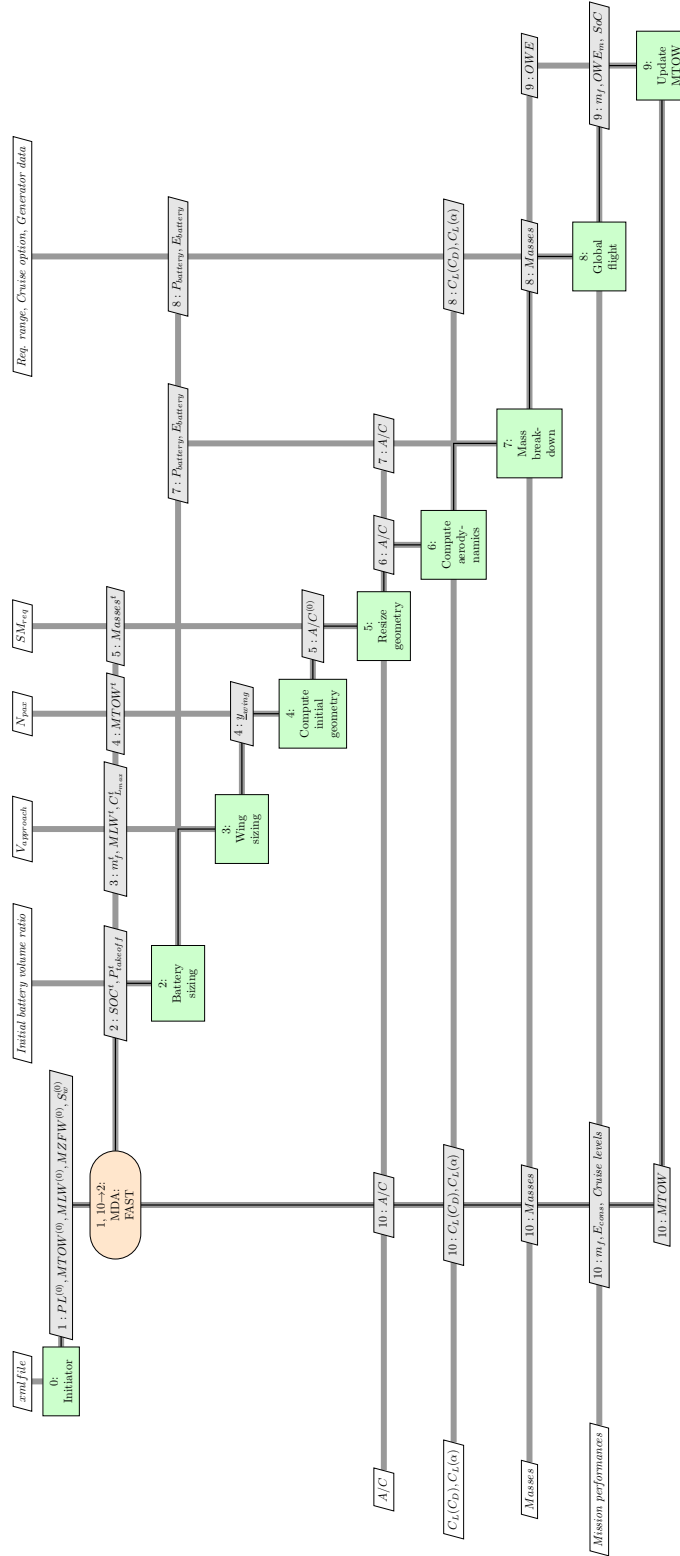


Figure 3: Original version FAST XDSM, as used in [33]. Figure refers to Algorithm 1.

Algorithm 1 FAST algorithm description, as used in the version presented by [33] for the sizing of a hybrid-electric aircraft (original version).

Require: Top level aircraft requirements (TLAR)

Ensure: Sized aircraft, drag polars, masses, design mission trajectory

0: Initialize the values. Estimate weight, wing surfaces initial values, as initialization of distributed electric propulsion (DEP) components, using statistical methods from Raymer book [61].

repeat

1: Initialize the loop.

2: Size the battery, according to power and energy requirements.

3: Size the wing, according to fuel and approach requirements.

4: Compute initial geometry, starting from a set of geometrical input

5: Resize the geometry and locate center of gravity. At each iteration mass estimation is carried out to evaluate the center of gravity position.

6: Aerodynamic calculation, based on semi-empirical equations and VLM.

7: Mass breakdown calculation, with the final values coming from analysis 5.

8: Evaluate performance.

9: Update MTOW, considering the difference in operating empty weight (OEW) coming from mass calculation (step 7) and performance (step 8).

10: Check convergence criteria: if they are satisfied, it ends the loop, otherwise it proceeds to next iteration.

until 10 → 2: MDA has converged

In practice, the tolerance for convergence is set to 10^{-3} , that is the relative difference between the two values of OEW must not exceed 0.1%.

Compared to a classical design loop, in the reviewed procedure there is a new analysis called “Battery sizing” (step 2 in the algorithm above), to properly size the battery according to the energy and power requirements. Then other changes are present at step 4 and 5, to consider the presence of batteries, ducted fan and generators, and then in step 8, to consider the double energy source in performance calculation. In the next sections the essential notions of modeling adopted for geometry, mass estimation, performance and certification are provided.

3.1.1 Geometry

The geometry module is devoted to the estimation of the aircraft dimensions, as well as center of gravity placement. The aircraft geometry is decomposed in five elements: fuselage, wing, horizontal and vertical tail, and nacelle. Each of these elements need a set of variables to be fully defined.

The fuselage only needs the number of passengers and the seat’s dimensions, to estimate the width and the total length, according to the methods provided by Roskam [63].

As seen also from Algorithm 1, the wing area is estimated out of geometry module at step 2; wing dimensions are computed together with other dimensions in step 3. The wing area is estimated considering two criteria: approach condition and fuel stored.

The first condition is represented by Eq. (2), where MLW is the maximum landing weight, V_s the stall speed, given in the TLAR, $C_{L_{\max}}$ the maximum lift coefficient in landing configuration and $S_{w_{app}}$ the value of wing area that satisfies the equation.

$$\text{MLW}g = \frac{1}{2}\rho V_s^2 S_{w_{app}} C_{L_{\max}} \quad (2)$$

The second condition is more complicated. The maximum fuel weight MFW that can be stored in the wing can be expressed as

$$\text{MFW} = f\left(S_{w_f}, AR_w, \left(\frac{t}{c}\right)_w\right) = k_1 S_{w_f}^{1.5} AR_w^{-0.4} \left(\frac{t}{c}\right)_w + k_2 \quad (3)$$

where S_{w_f} is a value of surface, AR_w the wing aspect ratio and $\left(\frac{t}{c}\right)_w$ the mean thickness-to-chord ratio and k_1, k_2 constant parameters that depend on the type of aircraft. Imposing $m_f = \text{MFW}$, m_f being the fuel needed for the design mission, yields an estimation of the wing area that satisfies the condition. Finally, the value of wing area is the maximum of $S_{w_{app}}$ and S_{w_f} .

Once the wing area is known, the planform can be obtained. The parametrization adopted is shown in Fig. 4: the wing geometry is a 2-section wing, with the break located at station y_k . Assuming that the break is at 40% of the semispan, and that the

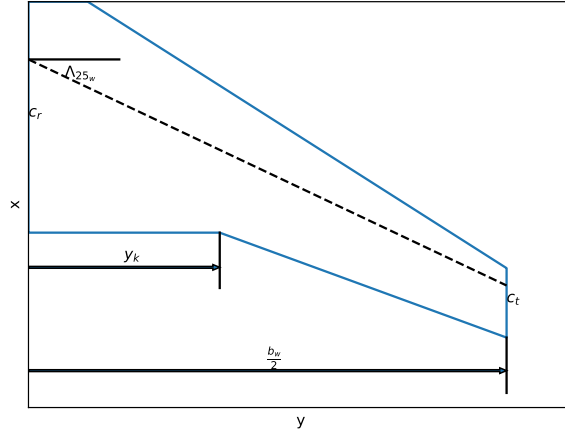


Figure 4: Wing parametrization used in geometry module for FAST; only half wing is shown because of symmetry. It consists of a two-section wing, with the break placed at the station y_k ; chord distribution is obtained from the knowledge of the sweep angle at 25% of the chord Λ_{25_w} .

trailing edge has an angle equal to 0 in the inner section, the wing planform is then defined by 4 parameters: wing area, wing aspect ratio AR_w wing sweep angle, evaluated at 25% of the chord Λ_{25_w} and the taper ratio $\lambda_w = \frac{c_t}{c_r}$. In addition, thickness-to-chord ratio is needed for aerodynamic evaluations.

Horizontal and vertical tail geometries show a similar procedure, with the difference that they have just a single section in place of two.

Fan dimensions are obtained by the knowledge of the fan pressure ratio FPR and the design thrust, with the procedure explained in the work of Sgueglia et al. [33]. From the knowledge of the fan radius r_f , the length of the nacelle is obtained as $1.05 \times 2N_{EM}r_f$, where the factor 1.05 accounts for some space margin between fans and nacelle.

At this point, the first limitation of the code comes out: in case the fans do not fit in the available space on the wing, an error message appears, but no actions are automatically taken by the code. It is up to users to modify inputs in order to have a feasible solution.

Finally, the battery volume is computed in the geometry module too. Their sizing recalls the wing area sizing: they need to satisfy two criteria, and at the end the maximum volume between the two values is taken. In particular, the conditions are related to energy and power requirements. The first one ensures that batteries can store all the energy available, with a 20% safety margin [68, 69], and can be expressed through the definition of state of charge SoC:

$$\text{SoC}(t_f) = 1 - \frac{E_c(t_f)}{E_b} \geq 0.20 \quad (4)$$

where E_c is the energy consumption, E_b the battery energy stored and t_f indicates the final mission time. In reality, the SoC is defined using the capacity notion (current multiplied by the time step) [68]; however the assumption of constant voltage leads to Eq. (4)

The second condition ensures, instead, that batteries can deliver all the power required for a required phase of flight P_{ref} :

$$N_b P_b \geq P_{ref} \quad (5)$$

where N_b and P_b indicate the number of batteries and the maximum power delivered by each battery respectively. Imposing the equality in Eq. (4) and Eq. (5) yields an estimation of the minimum volume needed to satisfy each condition; the maximum between the two is the actual value of battery volume. The reference power may be the power required during any phase of flight (takeoff, climb, ...); the condition will be further detailed in one of the next paragraphs.

3.1.2 Mass estimation

For the mass and the center of gravity estimation, a breakdown standard must be chosen. This choice is arbitrary and left to designers; in FAST the standard follows the rules of reference French norm 2001/D [41, 65]. Models for mass estimation of the components rely on semi-empirical methods; the standard is limited to the conventional aircraft, the mass associated to the hybrid-electric powerplant must be added. Following the example of some authors, see i.e. [17, 70–73], mass is estimated by the knowledge of the power-to-mass ratio as

$$m_i = \frac{P_{\max_i}}{p_i} \quad (6)$$

where the subscript i indicates a generic electric component and P_{\max_i} the maximum power demanded.

3.1.3 Aerodynamics

The aerodynamic model computes the drag polar, in low and high speed. The drag coefficient is decomposed into four terms:

$$C_D = C_{D_0} + C_{D_i} + C_{D_w} + C_{D_{eq}} \quad (7)$$

where C_{D_0} represents the term related to friction, C_{D_i} is the induced drag, C_{D_w} the wave drag for transonic regime and $C_{D_{eq}}$ is a term related to trim condition.

All these terms are obtained using the methods provided by Roskam [64]. C_{D_0} is estimated weighting the friction coefficient of each subcomponent, and it is then mainly function of the wetted surface. Effects related to thickness are modeled through linear corrective factors.

For the induced drag, it is assumed that only the wing produces lift; in other words the contribution of the horizontal tail is neglected, as suggested by some authors [74]. The term C_{D_i} is then computed using its classical formulation coming from the Prandtl theory [75]:

$$C_{D_i} = \frac{C_L^2}{\pi A R_w k_e} \quad (8)$$

where C_L the lift coefficient and k_e the Oswald factor, estimated using the method proposed by Niță and Scholz [76]. The other two terms, related to wave drag and trim, are estimated considering linear dependency with geometric parameters like sweep and thickness.

No modifications due to hybrid-propulsion are considered for the polars, other than estimating the parasite drag of the nacelle using the method described above.

At low speed, a value of $C_{L_{\max}} = 4.5$ is considered, to model the blowing phenomenon [12, 57, 58]. The following assumptions are made:

1. Blowing is relevant only at low speed and maximum thrust, that is at takeoff. Its effects in cruise are neglected.
2. The only effect is on the value of $C_{L_{\max}}$; the impact on the slope C_{L_α} is neglected [57].

3.1.4 Performance evaluation

Performance is evaluated through the computation of the mission profile, using a time-integration approach. The mission profile is made up of takeoff, initial climb, climb, cruise, descent, and an alternate flight plus a holding phase for reserve. The trajectory is obtained by solving the flight equations with the time-marching approach for each phase. It is also assumed that the cruise starts at the point of maximum lift-to-drag ratio, and then the aircraft climbs gradually to fly always at $C_L = C_{L_{opt}}$ (cruise climb approach). To find the right initial cruise point, an iterative loop is needed: cruise altitude is changed and the climb phase iterated until the condition $C_L = C_{L_{opt}}$ is met.

Since this is a hybrid-electric concept, at each time step both the fuel and the energy consumption are evaluated. Knowing the actual state of the aircraft at step i , that is its C_L and C_D , it is possible to obtain the power required by batteries and turboshaft (P_{b_i} and P_{ts_i} respectively) to sustain the flight and the value of power specific fuel consumption PSFC of turboshaft engines. The values of fuel and energy consumption are then updated using

$$m_{f_{i+1}} = m_{f_i} + N_{ts} P_{ts_i} PSFC_i \Delta t \quad (9)$$

$$E_{c_{i+1}} = E_{c_i} + N_b P_{b_i} \Delta t \quad (10)$$

where Δt is the time step. Using Eq. (4) for the time step i the SoC is updated as well; finally the mass of the aircraft at time step $i + 1$ is obtained by subtracting the fuel consumed during the time step i . This procedure is iterated for each segment until termination.

During the cruise step, the code calls the function for descent phase at the end of each time step, to check if the total distance covered is equal to the range. If this is not the case, the process moves to next time step. The procedure is depicted in Fig. 5 using the XDSM standard. The scheme highlights the iterative loops implemented: from step 0 to 2, the climb is iteratively called until the cruise altitude is obtained to match the condition of optimal flight point. Then, steps 3–7 implement the time step approach: for each time step, the code obtains the distance travelled in cruise thus far (step 4), and then performs the descent (step 5). Afterwards, step 6 takes as an input the distance travelled during climb, cruise and descent and checks if it is equal to the design range; if not it proceeds to the next time step.

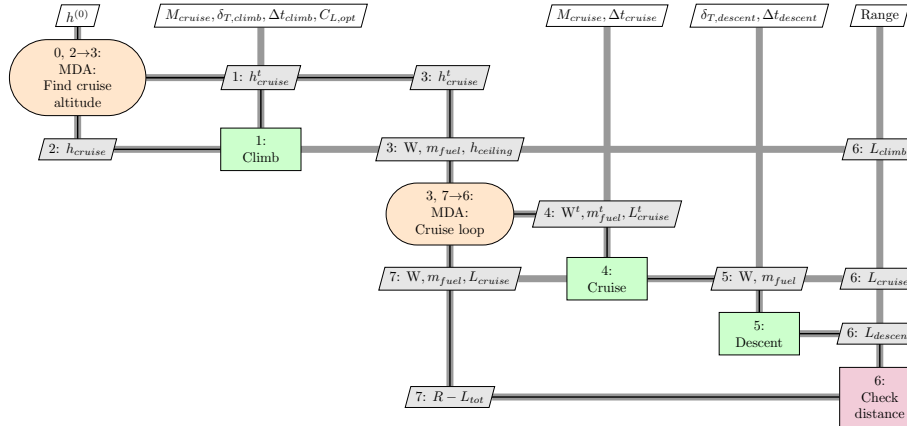


Figure 5: Scheme of the performance module in FAST using the XDSM standard, limited to the climb, cruise and descent. The scheme highlights the time step approach which is implemented in FAST.

The implementation is very costly since it requires a call to the descent function thousands of times for a single sizing iteration, which is a limitation of the code used here.

3.1.5 Certification constraint module

Finally, once that the trajectory is obtained, an analysis on certification is carried out through the certification constraint module CCM [44]. This module checks if the specifications given by CS-25 [77] are satisfied. In addition, the CATPOL document [78] for operational requirements is also considered: though it is not related to certifications, is of great importance to have an aircraft satisfy these specification. Conditions implemented in the code are listed below:

- Reserve of vertical speed at top of climb and top of descent of at least 300 ftmin^{-1} , as prescribed by CAT.POL.A.410(a)-1 and 2.
- Steady gradient flight, in landing configuration and with all engines operative (AEO condition) of at least 3.2%, as prescribed by CS-25.119(a).
- Steady gradient flight, in takeoff configuration configuration and with one engine operative (OEI condition) greater than 0, as prescribed by CS-25.121(a).
- Steady gradient flight, in takeoff configuration at 400 ft of altitude and in OEI condition of at least 2.4%, as prescribed by CS-25.121(b).
- Steady gradient flight, at the end of takeoff phase and in OEI condition of at least 1.2%, as prescribed by CS-25.121(c).
- Steady gradient flight, in approach configuration and AEO condition of at least 2.1%, as prescribed by CS-25.121(d).

In the case of distributed propulsion, the OEI condition is meaningless since a loss of one engine is not relevant as for conventional aircraft [58, 79, 80]. Also, given the two energy sources, the failure case is not clear. Two different situations may occur: failure of an energy source, which leads to a loss in total thrust available, and failure of an electric core, which leads to a set of electric motors becoming inoperative (see Fig. 2). In this work, the first condition is not considered, since it is assumed that in case one source becomes inoperative, the second can always provide supplementary power to avoid loss of total thrust.

The second condition, hereby called one core inoperative (OCI), instead represents the sizing case for electric components, since there is no loss of total power, but it has to be distributed over a reduced number of electric components. This situation leads to an oversizing of electric components, and it has been considered as a failure case. Table 2 reports the proposed certification rules for the hybrid-electric concept studied here. This table highlights that the CCM module only checks if the constraint are satisfied; if they are not, it is up to users to manually edit some TLAR or input in order to comply with specifications.

Regarding the pending question of the reference power for battery and other electric components sizing, it should be the minimum power that guarantees all the specifications of Table 2 are satisfied. Unfortunately, this is not known a priori and since the CCM performs only a check, is not possible to get this power from the application.

Table 2: CATPOL [78] and CS-25 [77] rules revised for the hybrid-electric concept. V_z represents vertical speed, meanwhile $\gamma\%$ the gradient flight, given in percentage.

Certification	Phase	Condition	Parameter	Min. value
CAT.POL.A.410(a)-1	Top of climb	AEO	V_z	300 ft/min
CAT.POL.A.410(a)-2	Top of descent	AEO	V_z	300 ft/min
CS-25.119(a)	Landing	AEO	$\gamma\%$	3.2 %
CS-25.121(a)	Takeoff	OCI	$\gamma\%$	0 %
CS-25.121(b)	400 ft	OCI	$\gamma\%$	2.4 %
CS-25.121(c)	End of takeoff	OCI	$\gamma\%$	1.2 %
CS-25.121(d)	Approach	AEO	$\gamma\%$	2.1 %

Some trade studies [58] show that the most stringent condition is the CS-25.121(b), which requires the gradient flight at 400 ft, in OCI condition, must be greater than 2.4%: this condition is retained for the sizing.

So far, the code presented in previous paragraphs is tailored only for sizing; its integration within an optimization framework is the goal of the next section.

3.2 Optimization algorithm for hybrid-electric aircraft

In order to enable optimization with the FAST models, it is integrated with OpenMDAO 2.4 [42], to address design challenges of unconventional concept proposed here. The main OpenMDAO building blocks are the **Components**, which map inputs to outputs in either an implicit or explicit formulation. **Components** represent the starting point from which complex models are built up. They may represent a discipline in simpler models, but most of the time they represent only a small part of a discipline (e.g., for aerodynamics, each component may represent a single contribution to the drag coefficient). An ensemble of different **Components** is called a **Group**, which is a higher level of OpenMDAO hierarchy. A discipline is typically represented by a **Group**. To give a practical example, in the case of the aerodynamics module, **Components** may be defined to compute a single contribution to the drag polar; their re-grouping to get the total drag coefficient occurs in a **Group**, which represents the aerodynamic discipline. This logic allows one to have flexibility since it is always possible to easily add or remove analysis from a problem.

To perform the integration between FAST and OpenMDAO, the original code was modified by decomposing each module in a set of **Components** and regrouped to form disciplines (geometry, mass breakdown, aerodynamic and performance). To differentiate from the original version, the developed framework is hereafter referred to as the “integrated version”.

Because of the choice to define the MDO based on analytic derivatives, each **Component** computes no more than three equations at a time, to simplify the derivation of analytic derivatives. In OpenMDAO, the total derivatives are obtained from the knowledge of partial derivatives for all components; therefore, for each component’s output, its derivatives with respect to inputs must be analytically defined.

Algorithm 2 presents the new optimization procedure, the corresponding XDSM

scheme is shown in Fig. 6. The green blocks here represent a single discipline, as in the scheme of Fig. 3, but each block is not a **Component** but rather a **Group**.

Algorithm 2 Updated FAST algorithm description, tailored to perform an optimization of a hybrid-electric concept (integrated version).

Require: Initial design parameters (TLAR), design variables initial vector $\underline{x}^{(0)}$.

Ensure: Sized aircraft, drag polars, masses, performances/

0: Initialize the optimization loop: the starting point $\underline{x}^{(0)}$ is read from the XML file.

repeat

1: Compute the battery parameters (power and energy stored).

2: Initialize the MDA, used to get a feasible aircraft.

repeat

3: Update the MTOW at each iteration, according to values of OEW coming from previous iteration.

4: Compute the aircraft geometry, by the knowledge of the design vector \underline{x} and other top level input parameters, and perform the mass breakdown, to estimate weight of all components.

5: Compute the static margin. C_L slope for wing and horizontal are estimated from the geometry defined in previous analysis.

6: Aerodynamic calculation, based on the same equations of the original version, described in Sec. 3.1.3.

7: Compute the aircraft performance.

8: Convergence check. The control parameter to ensure the convergence is the OEW; the criterion is the same as of the original version of the code.

until 8 \rightarrow 3: MDA has converged

9: Evaluate the objective function.

10: Evaluate the design constraints.

11: Check if the optimization has converged. If not \underline{x} is updated for the next iteration.

until 11 \rightarrow 1: MDO has converged and the final design variables vector \underline{x}^* is found.

The resulting MDO architecture is called multidisciplinary feasible (MDF) [35]: in this kind of architecture, the optimizer directly controls \underline{x} , $f(\underline{x})$ and $g(\underline{x})$. The main MDF benefit is that in case the optimization terminates earlier, the resulting system design is always feasible, which is a key point for designers since it is possible to establish a trade-off even in case of non converged simulations (that is, the solution may not be optimal in a mathematical sense) [35]. The main disadvantage, instead, is that it requires a full MDA to be performed at every optimization iteration: in the integrated version, steps 3–8 in Algorithm 2 represent the sizing process, that is the MDA. In addition, total derivatives of the full MDA are required.

The integrated version has been run once, without optimization, starting from the configuration studied in [33] to ensure the result is the same and no error occurred during the development. The validation results, considering $N_{EM} = 40$ and $R = 1200$ nmi, are reported in Table 3. Difference is below 0.5% and can be considered negligible.

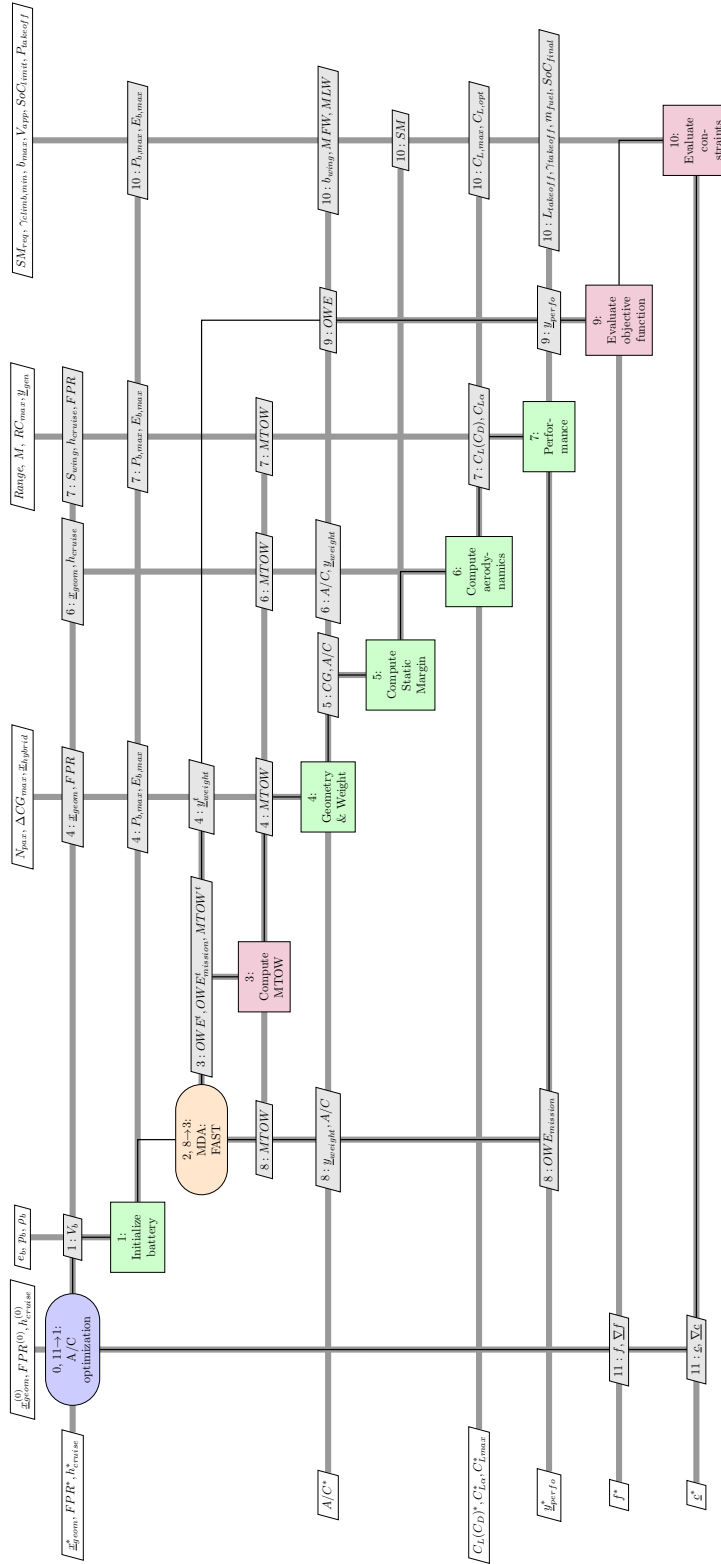


Figure 6: Integrated version FAST XDSM, tuned for optimization of hybrid electric aircraft. The MDO is detailed in Algorithm 2.

Table 3: Results of validation between the original and the integrated version, for the case presented in [33], $N_{EM} = 40$ and $R = 1200$ nmi.

		Original	Integrated
MTOW	[t]	80.1	80.1
OEW	[t]	59.5	59.4
Wing area	[m ²]	118.77	118.51
Energy consumption	[GJ]	305.61	305.68

The original and the integrated version present differences in the way the overall aircraft design problem is coded and solved; they are listed below.

- The original version shows only one MDA loop, while in the integrated version two loops appear: the outer one is the optimization loop, meanwhile the inner one is the MDA, used to get a viable aircraft.
- In the integrated version design constraints are used in place of sizing criteria. This means that step 2 of Algorithm 1 is removed, since the wing area parameter belongs to design variables. Eqs. (2) and (3) are rewritten as design constraints; the solver lets S_w vary in its design space and at convergence it automatically finds the optimal value that satisfies design constraints. The same procedure applies to battery, tail sizing, cruise altitude matching and center of gravity assessment. At each optimization iteration, the code only needs to compute the geometry once and check the stability conditions; if design constraints are not satisfied the optimization solver finds a new value of wing position.
- A consequence of the previous point is one of the peculiarities of the new integrated formulation: in this approach it is not the case that each optimization iteration produces an aircraft that satisfies all the design constraints, whereas in the original code at the end of each iteration a feasible aircraft (in terms of wing, tails sizing criteria and stability) was obtained.
- In the original version the starting point was initialized before the loop using statistical equations; in the integrated version instead it is randomly chosen within the design space.
- The iterative routine available in OpenMDAO makes the code more efficient. The main example of this is in the performance calculation: as highlighted in Sec. 3.1.4, at each cruise point it carries out the descent to check the distance covered, which results in an expensive procedure. In the integrated version, instead, the OpenMDAO routines just need the distance to travel in cruise; then they iteratively change this value to cover the total range considering also climb and descent lengths.

All the differences listed above make the integrated version more efficiently coded: the absence of iterative loops in the geometry and, overall, in the performance module reduce the computational cost by a factor 5 for the validation case reported in Tab. 3.

In the original version a fixed point iteration was used for every loop. OpenMDAO, instead, presents a large variety of numerical schemes that can be used to solve iterative loops. This affects the robustness, since a choice of proper scheme may accelerate the convergence or allow for a more accurate result: in fact, the MDA tolerance is reduced by 3 orders of magnitude, from 10^{-3} to 10^{-6} .

Despite these advantages, the integrated version presents some drawbacks: in the integrated version, there are more than 200 OpenMDAO `Components` associated with the discipline to facilitate analytic gradient computation, compared to the 19 of the original one. This can make it hard for a new user to understand how to modify the code.

At this stage the MDO procedure is set. The next section reports the associated optimization problem.

3.3 Problem definition

An optimization problem is mathematically defined as

$$\begin{cases} \text{minimize} & f(\underline{x}) \\ \text{with respect to} & \underline{x} \in \mathbb{R}^n \\ \text{subject to} & \underline{c}(\underline{x}) \in \mathbb{R}^d \end{cases}$$

where $f(\underline{x})$ is the objective function, \underline{x} the design variables vector, $\underline{c}(\underline{x})$ the constraint vector, n the problem size and d the constraint size. All these elements must be defined; Table 4 sums up this definition. The optimization problem consists of 20 design variables, subject to a total of 17 design constraints. The bounds of variables are chosen considering a large number of existing aircraft of the same category [62].

The objective function $f(\underline{x})$ can be fuel, energy consumption, or even more complex functions. The design vector \underline{x} contains geometrical (for wing and tails), propulsive and mission variables. Note that they must be continuous, as OpenMDAO does not consider discrete variables in the optimization problem [42, 81]. The choice of these parameters relies on the models adopted in FAST, following the parametrization shown in Fig. 4 and the comments reported in Sec. 3.1. Battery volume τ_b is needed to properly size batteries. Regarding the propulsion, design variables are the FPR, that controls the power demanded by the fan, and thus the thrust available, and the sizing power for the electric component P_{ref} , which is obtained to comply with certification aspects listed in Table 2. Cruise altitude h_{toc} is also needed to have continuity between segments. It is worth noting that none of the design variables are related to the turbogenerator; instead, this component is modelled outside the sizing loop because no sizing mode is available. Power and power specific fuel consumption curves are provided to FAST and interpolated to get the values of interest, during the performance calculation.

The design constraints are described below:

- The wing has to carry all the fuel needed and match the approach condition; these two criteria can be expressed as $\Delta m_f = \text{MFW} - m_f \geq 0$ and $\Delta C_{L_{ldg}} = C_{L_{\max}} - C_{L_{app}} \geq 0$ respectively;

Table 4: Optimization problem definition. Variables are described by their bound constraint and their unit. Bounds come from data on a large number of tube-and-wing aircraft, provided in Roskam’s book [62]. Inequality and equality constraints are also defined.

Category	Name	Size	Lower	Upper	Equals	Units	
Objective	$f(\underline{x})$	1	–	–	–	–	
Variables	S_w	1	100	150	–	m ²	
	x_w	1	18	24	–	m	
	AR_w	1	8	12	–	–	
	λ_w	1	0.2	0.6	–	–	
	Λ_{25_w}	1	20	45	–	deg	
	$\left(\frac{t}{c}\right)_w$	1	0.1	0.15	–	–	
	S_{HT}	1	20	80	–	m ²	
	AR_{HT}	1	2	5	–	–	
	λ_{HT}	1	0.2	0.6	–	–	
	$\Lambda_{25_{HT}}$	1	20	45	–	deg	
	$\left(\frac{t}{c}\right)_{HT}$	1	0.1	0.15	–	–	
	S_{VT}	1	15	50	–	m ²	
	AR_{VT}	1	1	2.5	–	–	
	λ_{VT}	1	0.85	1.0	–	–	
	$\Lambda_{25_{VT}}$	1	25	55	–	deg	
	$\left(\frac{t}{c}\right)_{VT}$	1	0.13	0.18	–	–	
	P_{ref}	1	6	15	–	MW	
	τ_b	1	1	3	–	m ³	
	FPR	1	1.05	1.4	–	–	
	h_{toc}	1	30 000	40 000	–	ft	
	Total	20					
Constraints	Δm_f	1	0	–	–	kg	
	$\Delta C_{L_{app}}$	1	0	–	–	–	
	b_w	1	–	36	–	m	
	$\mathcal{M}_{takeoff}$	1	–	0	–	N m	
	$\Delta \mathcal{N}_{cruise}$	1	0	–	–	N m	
	SoC_f	1	–	–	0.20	–	
	ΔP_b	1	0	–	–	W	
	Δl_{nac}	1	–	0	–	m	
	\bar{r}_f	1	–	0.15	–	–	
	TOFL	1	–	2200	–	m	
	$\Delta C_{L_{toc}}$	1	–	–	0	–	
	SM	1	0.05	0.10	–	–	
	\underline{c}_{CCM}	5	0	–	–	%	
		Total	17				

- Horizontal tail and wing position are sized for two considerations: obtain rota-

tional performances at takeoff and ensure that SM is between 5% and 10%. The first consideration requires that the longitudinal momentum balance is larger than zero (zero at limit) for a given maximum center of gravity variation ($\mathcal{M}_{takeoff} \geq 0$), meanwhile the second consideration is simply quantified as $0.05 \leq SM \leq 0.10$. Note that this is a limitation, since more aspects related to controllability play a role in the HT sizing, and due to the blowing the effect is even more relevant in the present case. However, as previously stated this work only focuses on the performance evaluation, and does not consider these aspects;

- The vertical tail is sized to have lateral stability in cruise: S_{VT} has to ensure that the fuselage yaw moment is counterbalanced by vertical tail yaw moment, or in mathematical symbols $\Delta \mathcal{N}_{cruise} \geq 0$, \mathcal{N} being the yaw moment;
- The possibility to collocate all the engines in the available space is ensured by constraining the length of the nacelle: $\Delta l_{nac} \leq b_w - w_f$, w_f being the fuselage width, not usable for fan allocations.
- The fan must not be too big, to avoid structural problems. Defining a proper maximum dimension for the fan size is challenging; using the work of Wick et al. [55] a rough estimation of the allowable fan radius to chord ratio $\bar{r}_f = \frac{r_f}{\bar{c}}$, \bar{c} being the mean aerodynamic chord MAC, can be drawn. A reasonable threshold for this parameter is 0.15, that is the fan radius must not exceed the 15% of MAC; this is expressed by $\bar{r}_f \leq 0.15$.
- Wing span (b_w) and takeoff field length (TOFL) are limited by operational constraints for a medium range aircraft [82, 83];
- The state of charge at the end of the mission is fixed to 0.20 through an equality constraint, to consume all the possible electrical energy, reducing fuel consumption.
- The lift coefficient at the top of climb must be equal to the value that maximizes the lift to drag ratio, to fly at the best altitude; in other words $\Delta C_{L,toc} = C_{L,toc} - C_{L,opt} = 0$.
- The certifications constraints may be expressed defining a single vector $\underline{c}_{CCM} = [V_{z_{toc}} - 300, V_{z_{tod}} - 300, \gamma_{\%119a} - 3.2, \gamma_{\%121a}, \gamma_{\%121b} - 2.4, \gamma_{\%121c} - 1.2, \gamma_{\%121d} - 2.1]$ and imposing $\underline{c}_{CCM} \geq 0$. To satisfy these conditions P_{ref} is varied, but wing area may also be impacted.

The next section will present the application of the integrated version of FAST on some test cases for the hybrid-electric aircraft featuring distributed propulsion.

4 Optimization results

This section presents the application of the new integrated version for the case study considered here. Results are divided as follows. At first the top-level requirements are

reported, together with the technological assumptions reflecting an EIS of 2035. The following sections present the single-objective optimizations to assess the performance of the optimized architecture with respect to the conventional baseline in terms of fuel and energy consumption. Ultimately, a Pareto front is obtained, considering OEW and energy consumption, using a gradient-free and a gradient-based method, in order to compare the two methods and show the gain using derivative information.

4.1 Top level requirements for the hybrid-electric aircraft

Table 5 reports the TLAR: they correspond to A320 type aircraft (150 passengers). Range is not fixed yet because one of the main outcomes of [33] is the zone of interest for design is limited to a range called “breakdown range”. This particular range represents the starting point after which the hybrid electric aircraft is not advantageous anymore, and thus it is interesting to study performances varying this input.

As said in the previous section, discrete variables cannot be easily included in the optimization problem [81], and so the number of engines, batteries and turbogenerators cannot be included in the optimization problem but they are rather top level entries. To understand the impact of this variable on the design, three different baselines, varying N_{EM} from 16 to 48, are considered. The hybrid-electric concept is compared to a conventional aircraft, corresponding to a revised CERAS aircraft⁴, resized to match the TLAR of Table 5 and optimized.

Table 5: Top level aircraft requirements (TLAR) used to size the case study. Range and number of engines are not fixed yet.

Range	600-1500	nmi
Mach number	0.78	
Number of passengers	150	
Design payload	13608	kg
Number of electric motors	16-48	
CAS Approach speed	132	kn
Max. wing span	36	m
Max. TOFL	2.2	km

The assumptions at the technological level are made to consider 2035 technology horizon. In the literature there is a large uncertainty concerning the future technology perspectives [2, 33, 71, 84-86], mostly related to battery parameters. Table 6 reports the assumptions considered here, which correspond to the previous work of Sgueglia et al. [33].

4.2 Aircraft optimization with respect to fuel and energy consumption

In this section single-objective optimizations are presented. Table 7 reports the set up used: the optimization solver is SNOPT [87], a gradient-based algorithm based on the

⁴<https://ceras.ilr.rwth-aachen.de/>

Table 6: Technological parameters for hybrid electric chain components, in the 2035 perspectives [33].

e_b	500	W h kg ⁻¹
$\rho_{E,b}$	850	W h L ⁻¹
p_b	2	kW kg ⁻¹
η_b	0.9	
p_{EM}	10	kW kg ⁻¹
η_{EM}	0.98	
p_{cs}	2	kW kg ⁻¹
η_{cs}	0.99	
p_{ts}	7	kW kg ⁻¹
p_{gen}	13.5	kW kg ⁻¹
η_{gen}	0.95	
p_{ic}	16.4	kW kg ⁻¹
η_{ic}	0.98	

least squared method.

The nonlinear and linear solvers are block nonlinear Gauss–Seidel and LU decomposition, respectively. The latter is used to find solution for the derivatives of the system. The problem is not scaled, so the tolerance must be an absolute tolerance.

Table 7: Optimization set up for the hybrid aircraft design problem, using gradient-based method.

Optimization solver	SNOPT
Linear solver	Linear Gauss–Seidel
Nonlinear solver	Direct solver
MDA tolerance	10 ⁻⁶
Optimization tolerance	10 ⁻⁶

One issue regarding the gradient methods is that the optimum point \underline{x}^* can be a local minimum; to increase the likelihood of convergence to the global optimum, a multistart check is performed, with 10 different initial vectors $\underline{x}^{(0)}$. The starting points are generated using the Latin hypercube sampling technique [88], in order to have them spaced within the design space reported Table 4.

As example, Table 8 reports the final objective function $f^* = E_c^*$ and the norm of constraints in the case of a hybrid aircraft with 32 engines, designed for a range of 900 nmi; for brevity only this case is reported; the others are similar in nature. From Table 8 no evidence of local minima is detected, since the maximum difference among the 10 values of f^* is less of 0.4%.

The aircraft have been optimized considering both fuel and energy consumption. A total of 4 different configurations are considered: three hybrid-electric aircraft, varying the number of engines from 16 to 48, and a conventional configuration; each of them is sized on four different range values, equally spaced from 600 to 1500 nmi. Figures 7

Table 8: Final objective function $f^* = E_c^*$ and norm of constraints for the 10 optimization runs carried out for hybrid aircraft featuring DEP, $N_{EM}=32$, $R=900$ nmi. The best value obtained is $\underline{x}^* = 255218$

	Run				
	1	2	3	4	5
f^*	255246	255259	255231	2552283	255242
$\ \underline{c}\ $	0	0	0	0	0
	6	7	8	9	10
f^*	255219	255220	255236	255218	255262
$\ \underline{c}\ $	0	0	0	0	0

and 8 show the fuel and energy consumption with respect to range for each configuration; as complement to these plots, Table 9, Table 10, Table 11, and Table 12 report the quantities of interest for the conventional aircraft and the hybrid aircraft with 16, 32 and 48 engines respectively.

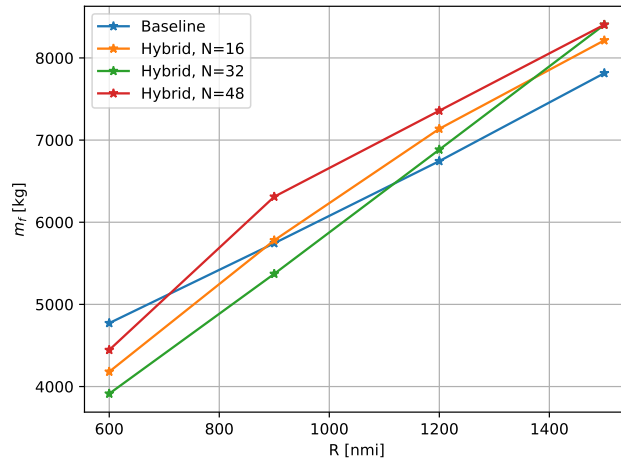


Figure 7: Fuel consumption vs. range plot, for three different hybrid-electric configurations ($N_{EM} = 16, 32, 48$) and conventional aircraft with the same TLAR, EIS2035.

First, the configuration that optimizes the fuel is the same that minimize the energy, which is an intuitive result since they are correlated.

From Fig. 7 and Fig. 8 a point of breakdown in the design range is detected, in agreement with the previous results from Sgueglia et al. [33]. The hybrid aircraft is significantly heavier than the reference aircraft, and it has worse performance in cruise. The zone of interest for its design is limited to short range because in this region the benefits overcome the penalties due to the greater mass in cruise because they come from a fully electric climb, which translates in about 2 t of fuel saved. On longer ranges, the mass introduced by batteries diverges, making the concept a poor performer against a conventional aircraft; also it is worth noting that due to the divergence it is not possible to get any feasible aircraft above $R=1600$ nmi.

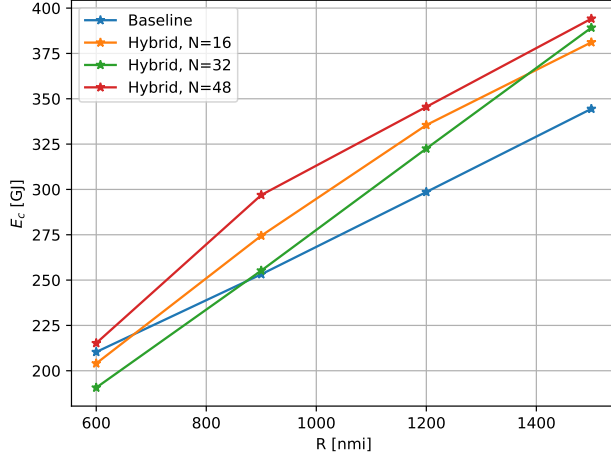


Figure 8: Energy consumption vs. range plot, for three different hybrid-electric configurations ($N_{EM} = 16, 32, 48$) and conventional aircraft with the same TLAR, EIS2035.

Table 9: Quantities of interest for the reference aircraft results, A320 type resized to match EIS 2035.

		Range [nmi]			
		600	900	1200	1500
MTOW	[t]	56.76	57.89	59.01	60.14
OEW	[t]	38.58	38.71	38.79	38.84
Wing area	[m ²]	116.21	116.47	116.63	116.76
Max. LoD		18.47	18.46	18.45	18.44
Fuel mission	[t]	4.77	5.74	6.77	7.81
CAT.POL.A.410(a)-1	[ft/min]	905.76	905.59	904.13	904.48
CAT.POL.A.410(a)-2	[ft/min]	308.9	315.24	309.41	300.24
CS-25.119(a)	[%]	17.54	17.61	17.57	17.49
CS-25.121(a)	[%]	4.5	4.29	4.02	3.62
CS-25.121(b)	[%]	6.37	6.14	5.9	5.47
CS-25.121(c)	[%]	6.86	6.72	6.51	6.28
CS-25.121(d)	[%]	7.01	7.03	6.99	6.93

Results above show that, in the zone of interest for design, the best performing configuration corresponds to $N_{EM} = 32$. The $N_{EM} = 16$ case shows the best aerodynamics' performance, with a maximum LoD around 18.05, because it has less wetted area due to the lower number of engines. Despite that, the propulsion is poorly distributed, and to satisfy the constraint on fan dimension, the FPR needs to be augmented, around 1.3 from Table 10, worsening the propulsive efficiency.

The opposite case, with highly distributed propulsion ($N_{EM} = 48$) does not show more promising results. Thanks to the large number of engines the fan size is not limited by the constraint on their dimension, but since the space over the wing is limited by

Table 10: Quantities of interest for the optimized hybrid aircraft with distributed electric ducted fan, $N_{EM} = 16$.

		Range [nmi]			
		600	900	1200	1500
MTOW	[t]	72.8	74.4	75.8	77.6
OEW	[t]	55.4	55.5	4504	56.6
Wing area	[m ²]	104.26	106.71	108.18	110.28
Max. LoD		18.05	18.03	18.04	18.03
Battery volume	[m ³]	1.56	1.67	1.86	1.94
FPR		1.26	1.28	1.28	1.29
Fuel mission	[t]	4.18	5.78	7.14	8.21
Energy consumption	[GJ]	204.03	274.47	335.50	381.13
CAT.POL.A.410(a)-1	[ftmin ⁻¹]	1438.64	1355.65	1324.17	1193.95
CAT.POL.A.410(a)-2	[ftmin ⁻¹]	1312.39	1310.58	1648.61	1307.07
CS-25.119(a)	[%]	12.27	12.25	12.09	12.21
CS-25.121(a)	[%]	24.02	24.76	24.57	24.2
CS-25.121(b)	[%]	2.41	2.46	2.51	2.76
CS-25.121(c)	[%]	24.10	23.73	23.23	23.14
CS-25.121(d)	[%]	10.80	10.80	10.65	10.76

Table 11: Quantities of interest for the optimized hybrid aircraft with distributed electric ducted fan, $N_{EM} = 32$.

		Range [nmi]			
		600	900	1200	1500
MTOW	[t]	77.7	78.4	70.1	80.4
OEW	[t]	59.9	60.3	60.9	61.3
Wing area	[m ²]	119.89	121.26	124.26	128.42
Max. LoD		17.81	17.82	17.81	17.81
Battery volume	[m ³]	1.55	1.67	1.72	1.92
FPR		1.12	1.12	1.12	1.13
Fuel mission	[t]	3.91	5.37	6.88	8.39
Energy consumption	[GJ]	190.67	255.24	322.52	389.20
CAT.POL.A.410(a)-1	[ftmin ⁻¹]	1125.10	1175.56	1142.56	1058.09
CAT.POL.A.410(a)-2	[ftmin ⁻¹]	1209.61	1267.16	12607	1135.13
CS-25.119(a)	[%]	11.25	11.62	11.61	11.60
CS-25.121(a)	[%]	24.59	24.29	24.29	22.74
CS-25.121(b)	[%]	2.40	2.41	2.51	2.52
CS-25.121(c)	[%]	23.46	23.18	23.18	21.81
CS-25.121(d)	[%]	9.79	10.14	10.14	10.15

the span the FPR is increased in any case to satisfy allocation. Moreover, it has more wetted surfaces and the aerodynamics is significantly worsened. The combination of these two effects make this configuration worse than the others.

Table 12: Quantities of interest for the optimized hybrid aircraft with distributed electric ducted fan, $N_{EM} = 48$.

		Range [nmi]			
		600	900	1200	1500
MTOW	[t]	80.5	82.4	84.1	83.9
OEW	[t]	62.5	63.9	64.7	64.2
Wing area	[m ²]	118.26	124.12	129.1	124.08
Max. LoD		17.49	17.47	17.47	17.45
Battery volume	[m ³]	1.67	1.92	2.13	2.21
FPR		1.34	1.34	1.35	1.37
Fuel mission	[t]	4.45	6.31	7.36	8.40
Energy consumption	[GJ]	215.22	296.92	345.54	394.16
CAT.POL.A.410(a)-1	[ftmin ⁻¹]	950.35	1028.93	790.61	876.07
CAT.POL.A.410(a)-2	[ftmin ⁻¹]	1143.42	1233.99	1063.84	1228.31
CS-25.119(a)	[%]	10.78	11.01	10.78	10.97
CS-25.121(a)	[%]	22.75	22.75	22.27	22.68
CS-25.121(b)	[%]	2.61	2.52	2.84	2.58
CS-25.121(c)	[%]	21.80	21.86	21.13	21.20
CS-25.121(d)	[%]	9.36	9.52	9.38	9.48

The case $N_{EM} = 32$ represents a balance between aerodynamics and propulsive efficiency: the maximum lift-to-drag ratio is only 1.3% lower than the case with 16 engines, but the FPR is significantly lower (around 1.1 from Table 11), resulting in good aerodynamics and propulsion. As a consequence, the battery volume is lower for this configuration than the others, for all the ranges, which limits the increase in mass. The MTOW and OEW are greater in any case due to the higher number of elements present in the architecture. Nonetheless, even for the best performing configuration the zone of interest is still limited: the “breakdown range” results 1150 nmi with respect to fuel consumption and 900 nmi with respect to energy consumption.

On the certification side, all the configurations are shown to comply with the revised CS-25; also results from Table 10, Table 11, and Table 12 show that the most stringent condition is the CS-25.121(b), related to the climb rate at 400 ft of altitude and in OCI case.

In conclusion, optimized aircraft shows the same trend as the non-optimized configurations [33], but the allowable region is slightly increased. The average computational time is 35 minutes per simulation, and 30-40 iterations are required to reach the convergence.

4.3 Pareto front using gradient information

Multiobjective optimization is performed using the OEW and E_c as objectives to reduce both structural weight and energy consumption and compute a Pareto front. Both quantities have effects on costs, and thus this optimization can give some indications on the points that optimize costs. OEW is preferred to MTOW, because the latter

depends directly on fuel (whereas OEW is affected only indirectly), and results can be misleading [45]. Two optimization packages are used: NSGA-II [89] and SNOPT [87]. NSGA-II is a genetic algorithm that explores a large number of prescribed points and automatically computes the sets of optimal points belonging to Pareto frontier.

SNOPT only solve single-objective problems, so a composite function that depends on OEW and E_c is defined:

$$f(\underline{x}, \alpha) = \alpha \frac{\text{OEW}}{\text{OEW}_{ref}} + (1 - \alpha) \frac{E_c}{E_{ref}} \quad (11)$$

where $\alpha \in [0, 1]$, is varied to obtain the Pareto front. The two quantities are non-dimensionalized with respect to reference values.

Just one configuration is considered, corresponding to $N_{EM} = 32$ and $R=900$ nmi. The exploration process done by the genetic algorithm is shown in Fig. 9: 20000 points were explored, marked in green; then between all these points it finds the feasible ones that satisfy the design constraints, and finally gets all the non dominated points, belonging to the Pareto front. The number of points is chosen in order to obtain a smooth Pareto front; preliminary results showed that with a 10000 or 15000 the front was not adequately smooth.

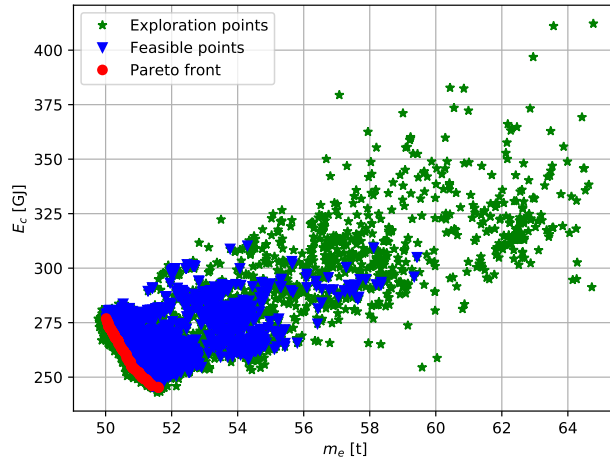


Figure 9: NSGA-II exploration points to find the Pareto front with respect to OEW and E_c , $N = 32$ and $R=900$ nmi. Exploration, feasible and optimal points are marked in green, blue and red respectively.

Figure 10 shows the comparison between SNOPT and NSGA-II: visually it emerges that the two methods are comparable. To better assess the difference between them, the \mathcal{L}_2 -norm [90] is computed for the final objective function value f^* and the design variables vector x^* , in the points in which both the SNOPT and NSGA-II results are available. Table 13 reports the values: difference between the two solutions is lower than 10^{-3} , and thus it is concluded that the two methods lead to same result, though there is still a small difference due to numerical approximation, that can be neglected.

Table 13: \mathcal{L}_2 -norm calculation to compare the two optimizers in terms of optimal objective value f^* and design variables vector \underline{x}^* . The subscript identifies the method.

$$\begin{array}{|l|l|} \hline \|\underline{f}_{SNOPT}^* - \underline{f}_{NSGA-II}^*\|_2 & 2.98 \times 10^{-5} \\ \hline \|\underline{x}_{SNOPT}^* - \underline{x}_{NSGA-II}^*\|_2 & 1.52 \times 10^{-4} \\ \hline \end{array}$$

Nevertheless, NSGA-II takes about 35 h to get the result, meanwhile using SNOPT each point is obtained in around 30 min, for a total of 12 h: with gradient information, the computational cost is reduced by about 70%.

As expected, when the energy decreases the OEW increases, since the optimizer uses mainly the aspect ratio to reduce the energy, which increases the wing weight. However, comparing the design variables values for three different configurations, corresponding to $\alpha = 0$, $\alpha = 0.5$, and $\alpha = 1$ in Eq. (11), as shown in Table 14, the same behavior does not apply to the battery volume. Since they strongly affect the weight, it is expected that their volume is lower when the OEW is the driven objective. In reality, this is not the case because there are two opposite effects: the reduction in weight, which is beneficial, and the worsening of aerodynamics due to the reduction of aspect ratio, which is negative. Between the two, the most dominant effect is the second one, resulting in a larger energy consumption. As a consequence, to satisfy the energy constraint batteries show a larger battery volume.

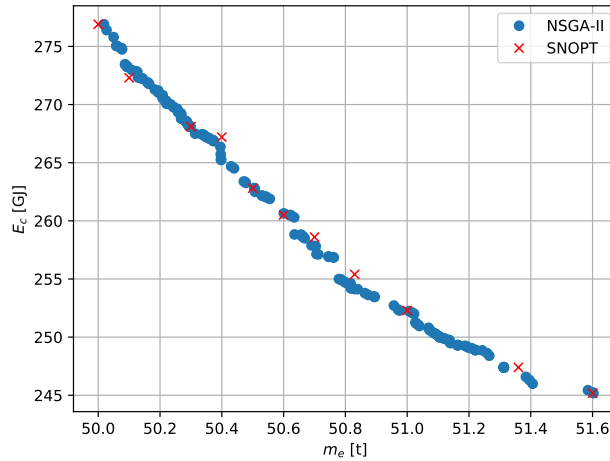


Figure 10: Pareto front with respect to OEW and \mathbf{E}_c : comparison between genetic algorithm NSGA-II and gradient-based solver SNOPT, $N_{EM} = 32$ and $R=900$ nmi.

A difference is also shown in Fig. 11, in which the three configurations are overlapped. The tails present very small differences, and the major changes of interest are in the wing, where span increases.

Table 14: Comparison between design variables of three different configurations, chosen from the Pareto front computed using SNOPT and corresponding to $\alpha = \mathbf{0}$, $\alpha = \mathbf{0.5}$, and $\alpha = \mathbf{1.0}$ 11 values of α are considered for the SNOPT optimization in Eq. (11).

		$\alpha = 0$	$\alpha = 0.5$	$\alpha = 1$
OEW	[t]	62.48	61.62	60.89
E_c	[GJ]	255.24	304.09	326.19
AR_w		10.82	8.82	8.01
S_w	[m ²]	122.41	118.9	117.22
τ_b	[m ³]	1.67	1.69	1.72

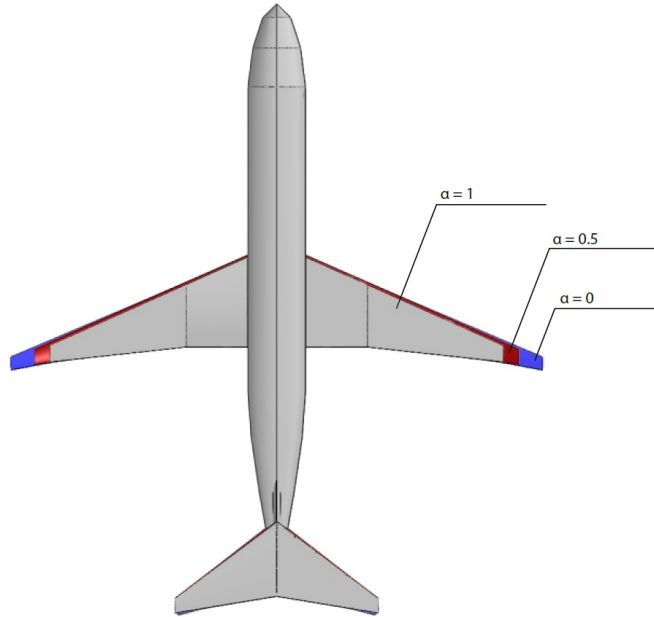


Figure 11: Comparison between three different configurations, chosen from the Pareto front (see Eq. (11)).

5 Conclusions

This work addresses the problem of designing a hybrid-electric aircraft. In particular, the scope is to define an overall conceptual design procedure to deal with this unconventional configuration. The resulting sizing loop relies on the already existing models available in literature, that have been expanded and integrated in a design framework. An approach based on MDO techniques is defined, to take advantage of its features, such as the possibility to capture all the possible interaction between disciplines, a key point for unconventional configurations that cannot be considered with classical handbook methods.

This goal has been achieved through the integration of the sizing tool FAST and OpenMDAO, an open-source optimization tool. The resulting design process relies on analytic derivatives, to improve the computational efficiency.

The advantages of this framework, mainly related to reduced computational cost,

are highlighted. Then, the capability of this code is demonstrated considering the test case of hybrid aircraft featuring distributed electric ducted fans. Three configurations are considered (16, 32 and 48 electric motors), assuming key technological parameters based on a previous study.

Optimization results show that the hybrid-electric concept is advantageous in a limited region with respect to design range. Specifically, the concept is better performing against a conventional configuration for short ranges, where the possibility to have a fully electric segment counterbalances the increase in weight due to the electric components. For longer distances, the benefits of hybrid propulsion are less important, and finally a range where the hybrid electric and the conventional aircraft have the same performance appears. This is defined as “breakdown range”, and of course changes with the configuration. After this point, the penalties in weight become more and more relevant and the conventional aircraft shows better performance.

Both fuel and energy consumption are used as objective functions, and it is found that the fuel consumption may be misleading, since it does not consider the contribution of batteries, which is purely energy. The latter is more relevant from a design point of view for a dual-energy-source aircraft. Among the configurations studied, it emerges that the case with 32 engines performs well in the zone of interest for design. This case represents a compromise between aerodynamics and propulsive efficiency. The case with 16 engines is poorly distributed and the FPR is higher in order to not exceed the fan size limit, resulting in a low propulsive efficiency. On the other side the case with 48 engines requires one to reduce FPR to locate all the motors on the wing; moreover it shows more wetted area and thus it is the worst in terms of aerodynamics.

Finally, a Pareto front is obtained using two optimization methods: a genetic algorithm and a gradient-based method. The aircraft empty mass and energy consumption are the parameters selected for the multi-objective optimization. Results of the two methods are comparable to each other, but the gradient-based method produces results faster than the genetic algorithm; in particular, the reduction in computational time is approximately 70%.

Overall, the capability of the MDO framework to deal with the hybrid-electric aircraft design problem has been demonstrated. The possibility to capture interactions between disciplines enables exploration of a large design space and trade studies. As a next step, other unconventional configurations, such as the Blended Wing-Body, can be investigated to take advantage of this MDO framework.

Acknowledgement

The authors would like to thank:

- Airbus for the financial support in the frame of Chair CEDAR (Chair for Eco Design of AirRaft).
- The European Commission for the financial support within the frame of the Joint Technology Initiative JTI Clean Sky 2, Large Passenger Aircraft Innovative Aircraft Demonstration Platform “LPA IADP” (contract N. CSJU-CS2-GAM-LPA-2014-2015-01).

- The Formation Doctorale of ISAE-SUPAERO for its financial support and the University of Michigan for having hosted the first author from January to April 2018.
- Michael Ridel and David Donjat for their contribution on electric architecture modeling.

References

- [1] Collier, F., and Wahls, R., “ARMD Strategic Thrust 3: ultra-efficient commercial vehicles subsonic transport,” <https://www.nasa.gov/sites/default/files/atoms/files/armd-sip-thrust-3a-508.pdf>, 2016.
- [2] Brelje, B. J., and Martins, J. R. R. A., “Electric, hybrid, and turboelectric fixed-wing aircraft: a review of concepts, models, and design approaches,” *Progress in Aerospace Sciences*, Vol. 104, 2019, pp. 1–19. doi:10.1016/j.paerosci.2018.06.004.
- [3] Kirner, R., “An investigation into the benefits of distributed propulsion on advanced aircraft configurations,” Ph.D. thesis, Cranfield University, 2015.
- [4] Gohardani, A. S., Doulgeris, G., and Singh, R., “Challenges of future aircraft propulsion: a review of distributed propulsion technology and its potential application for the all electric commercial aircraft,” *Progress in Aerospace Sciences*, Vol. 47 (5), 2011, pp. 369–391. doi:10.1016/j.paerosci.2010.09.001.
- [5] Smith Jr., L. H., “Wake ingestion propulsion benefit,” *Journal of Propulsion and Power*, Vol. 9, No. 1, 1993. doi:10.2514/3.11487.
- [6] Peijian, L., Rao, A. G., Ragni, D., and Veldhuis, L., “Performance analysis of wake and boundary-layer ingestion for aircraft design,” *Journal of Aircraft*, Vol. 53, 2016, pp. 1517–1526. doi:10.2514/1.C033395.
- [7] Schmollgruber, P., Döll, C., Hermetz, J., Liaboeuf, R., Ridel, M., Cafarelli, I., Atinault, O., François, C., and Paluch, B., “Multidisciplinary exploration of DRAGON: an ONERA hybrid electric distributed propulsion concept,” *AIAA SciTech Forum*, San Diego, California, USA, 2019. doi:10.2514/6.2019-1585.
- [8] Ko, A., Schetz, J. A., and Mason, W. H., “Assessment of the potential advantages of distributed propulsion for aircraft,” *International society for air breathing engines*, 2003, pp. 1–9.
- [9] Borer, N. K., Patterson, M. D., Viken, K. V., Moore, M. D., Bevirt, J., Stroll, A. M., and Gibson, A. R., “Design and performance of the NASA SCEPTOR distributed electric propulsion flight demonstrator,” *AIAA Aviation Technology, Integration, and Operations Conference*, Washington, DC, USA, 2016. doi:10.2514/6.2016-3920.

- [10] Clarke, S., Redifer, M., Papathakis, K. V., Samuel, A., and Foster, T., “X-57 power and command system design,” *2017 IEEE Transportation and Electrification Conference and Explo ITEC*, Chicago, Illinois, USA, 2017, pp. 393–400. doi:[10.1109/ITEC.2017.7993303](https://doi.org/10.1109/ITEC.2017.7993303).
- [11] Deere, K. A., Viken, J. K., Viken, S. A., Carter, M. B., Wiese, M. R., and Farr, N., “Computational analysis of a wing designed for the X-57 distributed electric propulsion aircraft,” *17th AIAA Aviation Technology, Integration, and Operations Conference*, Denver, Colorado, 2017.
- [12] Deere, K. A., Viken, J. K., Viken, S. A., Carter, M. B., Wiese, M. R., and Farr, N., “Computational analysis of powered lift augmentation for the LEAPTech distributed electric propulsion wing,” *35th AIAA Applied Aerodynamics Conference*, Denver, Colorado, 2017. doi:[10.2514/6.2017-3921](https://doi.org/10.2514/6.2017-3921).
- [13] Schnulo, S. L., Chin, J., Smith, A. D., and Dubois, A., “Steady state thermal analyses of SCEPTOR X-57 wingtip propulsion,” *17th AIAA Aviation Technology, Integration and Operations Conference*, Denver, Colorado, USA, 2017. doi:[10.2514/6.2017-3788](https://doi.org/10.2514/6.2017-3788).
- [14] Hwang, J. T., and Ning, A., “Large-scale multidisciplinary optimization of an electric aircraft for on-demand mobility,” *AIAA/ASCE/AHS/ASC Structures, Structural Dynamics, and Materials Conference*, Kissimmee, Florida, USA, 2018, pp. 1–18. doi:[10.2514/6.2018-1384](https://doi.org/10.2514/6.2018-1384).
- [15] Kim, H. D., Brown, G. V., and Felder, J. L., “Distributed turboelectric propulsion for hybrid wing body aircraft,” *2008 International Powered Lift Conference*, London, UK, 2008.
- [16] Kim, H. D., Felder, J. L., Tong, M. T., Berton, J. J., and Haller, W., “Turboelectric distributed propulsion benefits on the N3-X vehicle,” *Aircraft Engineering and Aerospace Technology*, Vol. 86, No. 6, 2014, pp. 558–561. doi:[10.1108/AEAT-04-2014-0037](https://doi.org/10.1108/AEAT-04-2014-0037).
- [17] Brown, G. V., “Weights and efficiencies of electric components of a turboelectric aircraft propulsion system,” *49th AIAA Aerospace Sciences Meeting*, Orlando, Florida, USA, 2011. doi:[10.2514/6.2011-255](https://doi.org/10.2514/6.2011-255).
- [18] Felder, J. L., Tong, M. T., and Chu, J., “Sensitivity of mission energy consumption to turboelectric distributed propulsion design assumptions on the N3-X hybrid wing body aircraft,” *48th AIAA/ASME/SAE/ASEE Joint Propulsion Conference*, Atlanta, Georgia, USA, 2012.
- [19] Welstead, J., and Felder, J. L., “Conceptual design of a single-aisle turboelectric commercial transport with fuselage boundary layer ingestion,” *54th AIAA Aerospace Sciences Meeting*, San Diego, California, USA, 2016. doi:[10.2514/6.2016-1027](https://doi.org/10.2514/6.2016-1027).

- [20] Welstead, J., Felder, J. L., Guynn, M. D., Haller, W., Tong, M. T., Jones, S., Ordaz, I., Quinlan, J., and Mason, B., “Overview of the NASA STARC-ABL (rev. B) advanced concept,” <https://ntrs.nasa.gov/search.jsp?R=20170005612>, 2017.
- [21] Hepperle, M., “Electric flight - potential and limitations,” *Tech. rep. STO-MP-AVT-209*, NATO, Braunschweig, 2012, pp. 1, 30.
- [22] Marwa, M., Martin, S. M., Martos, B. C., and Anderson, R. P., “Analytic and numeric forms for the performance of propeller-powered electric and hybrid aircraft,” *AIAA Aerospace Sciences Meeting*, Grapevine, Texas, USA, 2017, pp. 1–37. doi:10.2514/6.2017-0211.
- [23] Gray, J. S., Mader, C. A., Kenway, G. K. W., and Martins, J. R. R. A., “Modeling boundary layer ingestion using a coupled aeropropulsive analysis,” *Journal of Aircraft*, Vol. 55, No. 3, 2018, pp. 1191–1199. doi:10.2514/1.C034601.
- [24] Schiltgen, T., B, and Freeman, J., “Aeropropulsive interaction and thermal system integration within the ECO-150: a turboelectric distributed propulsion airliner with conventional electric machines,” *AIAA Aviation Technology, Integration and Operation Conference*, Washington, DC, USA, 2016. doi:10.2514/6.2016-4064.
- [25] Borer, N. K., Derlaga, J. M., Deere, K. A., and Carter, M. B., “Comparison of aero-propulsive performance predictions for distributed propulsion configurations,” *AIAA Aerospace Sciences Meeting*, Grapevine, Texas, USA, 2017, pp. 1–16. doi:10.2514/6.2017-0209.
- [26] Freeman, J., Osterkamp, P., Green, M. W., Gibson, A. R., and Schiltgen, B. T., “Challenges and opportunities for electric aircraft thermal management,” *Aircraft engineering and aerospace technology*, Vol. 86 (6), 2014, pp. 519–524. doi:10.1108/AEAT-04-2014-0042.
- [27] Isikveren, A. T., Kaiser, S., Pornet, C., and Vranty, P. C., “Pre-design strategies and sizing techniques for dual-energy aircraft,” *Aircraft engineering and aerospace technology*, Vol. 86 (6), 2014, pp. 525–542. doi:10.1108/AEAT-08-2014-0122.
- [28] Pornet, C., Seitz, A., Isikveren, A. T., and Hornung, M., “Methodology for sizing and performance assessment of hybrid energy aircraft,” *Journal of Aircraft*, Vol. 52, No. 1, 2014, pp. 341–352. doi:10.2514/1.C032716.
- [29] Cinar, G., Mavris, D. N., Emeneth, M., Schneegans, A., and Fefermann, Y., “Sizing, integration and performance evaluation of hybrid electric propulsion subsystem architectures,” *AIAA Aerospace Sciences Meeting*, Grapevine, Texas, USA, 2017, pp. 1–18. doi:10.2514/6.2017-1183.
- [30] Ludowicy, J., Rings, R., Finger, D. F., and Braun, C., “Sizing studies of light aircraft with serial hybrid propulsion systems,” *Deutscher Luft- und Raumfahrtkongress, DRLK*, Friedrichshafen, Germany, 2018, pp. 1–11. doi:10.25967/480226.

- [31] de Vries, R., Hoogreef, M. F. M., and Vos, R., “Preliminary sizing of a hybrid-electric passenger aircraft featuring over-the-wing distributed-propulsion,” *AIAA SciTech Forum*, San Diego, California, USA, 2019. doi:[10.2514/6.2019-1811](https://doi.org/10.2514/6.2019-1811).
- [32] de Vries, R., Brown, M., and Vos, R., “Preliminary Sizing Method for Hybrid-Electric Distributed-Propulsion Aircraft,” *Journal of Aircraft*, Vol. 0, No. 0, 2019, pp. 1–17. doi:[10.2514/1.C035388](https://doi.org/10.2514/1.C035388), URL <https://doi.org/10.2514/1.C035388>.
- [33] Sgueglia, A., Schmollgruber, P., Bartoli, N., Atinault, O., Benard, N., and Morlier, J., “Exploration and sizing of a large passenger aircraft with distributed electric ducted fans,” *AIAA SciTech Forum*, Kissimmee, Florida, USA, 2018, pp. 1–33. doi:[10.2514/6.2018-1745](https://doi.org/10.2514/6.2018-1745).
- [34] Sgueglia, A., “Sizing and optimisation priorities applied to a Blended Wing-Body with distributed electric ducted fans,” Ph.D. thesis, ISAE-Supaero, 2019.
- [35] Martins, J. R. R. A., and Lambe, A. B., “Multidisciplinary design optimization: a survey of architectures,” *AIAA Journal*, Vol. 51, No. 9, 2013, pp. 2049–2075. doi:[10.2514/1.J051895](https://doi.org/10.2514/1.J051895).
- [36] Brelje, B. J., and Martins, J. R., “Development of a Conceptual Design Model for Aircraft Electric Propulsion with Efficient Gradients,” *2018 AIAA/IEEE Electric Aircraft Technologies Symposium*, 2018. doi:[10.2514/6.2018-4979](https://doi.org/10.2514/6.2018-4979).
- [37] Hwang, J. T., and Ning, A., “Large-scale multidisciplinary optimization of an electric aircraft for on-demand mobility,” *AIAA/ASCE/AHS/ASC Structures, Structural Dynamics, and Materials Conference*, Kissimmee, Florida, USA, 2018, pp. 1–18. doi:[10.2514/6.2018-1384](https://doi.org/10.2514/6.2018-1384).
- [38] Antcliff, K. R., Guynn, M. D., Marien, T., Wells, D. P., Schneider, S. J., and Tong, M. J., “Mission Analysis and Aircraft Sizing of a Hybrid-Electric Regional Aircraft,” *54th AIAA Aerospace Sciences Meeting*, San Diego, California, USA, 2016. doi:[10.2514/6.2016-1028](https://doi.org/10.2514/6.2016-1028).
- [39] Finger, D. F., Braun, C., and Bil, C., *An Initial Sizing Methodology for Hybrid-Electric Light Aircraft*, AIAA, Atlanta, Georgia, USA, 2018. doi:[10.2514/6.2018-4229](https://doi.org/10.2514/6.2018-4229).
- [40] Kim, H. D., Felder, J. L., Tong, M. T., and Armstrong, M. J., “Revolutionary aeropropulsion concept for sustainable aviation: turboelectric distributed propulsion,” *21st International Symposium on Air Breathing Engines (ISABE)*, Busan, Korea, 2013.
- [41] Schmollgruber, P., Bedouet, J., Sgueglia, A., Defoort, S., Lafage, R., Bartoli, N., Gourinat, Y., and Benard, E., “Use of a certification constraints module for aircraft design activities,” *AIAA Aviation Forum*, Denver, Colorado, USA, 2017, pp. 1–19. doi:[10.2514/6.2017-3762](https://doi.org/10.2514/6.2017-3762).

- [42] Gray, J. S., Hwang, J. T., Martins, J. R. R. A., Moore, K. T., and Naylor, B. A., “OpenMDAO: An open-source framework for multidisciplinary design, analysis, and optimization,” *Structural and Multidisciplinary Optimization*, Vol. 59, No. 4, 2019, pp. 1075–1104. doi:[10.1007/s00158-019-02211-z](https://doi.org/10.1007/s00158-019-02211-z).
- [43] Hwang, J. T., and Martins, J. R. R. A., “A computational architecture for coupling heterogeneous numerical models and computing coupled derivatives,” *ACM Transactions on Mathematical Software*, Vol. 44, No. 4, 2018, p. Article 37. doi:[10.1145/3182393](https://doi.org/10.1145/3182393).
- [44] Schmollgruber, P., Bartoli, N., Bedouet, J., Benard, E., and Gourinat, Y., “Improvement of the aircraft design process for air traffic management evaluations,” *AIAA SciTech Forum*, Kissimmee, Florida, USA, 2018. doi:[10.2514/6.2018-0283](https://doi.org/10.2514/6.2018-0283).
- [45] Schmollgruber, P., “Enhancement of the aircraft design process through certification constraints management and full mission simulations,” Ph.D. thesis, ISAE-Supaero, 2018.
- [46] Bohari, B., Borlon, A., Mendoza Santos, B., P, Sgueglia, A., Benard, E., Bronz, M., and Defoort, S., “Conceptual design of distributed propellers aircraft: non-linear aerodynamic model verification of propeller-wing interaction in high-lift configuration,” *AIAA SciTech Forum*, Kissimmee, Florida, USA, 2018, pp. 1–27. doi:[10.2514/6.2018-1742](https://doi.org/10.2514/6.2018-1742).
- [47] Sgueglia, A., Schmollgruber, P., Benard, E., Bartoli, N., and Morlier, J., “Preliminary sizing of a medium range blended wing-body using a multidisciplinary design analysis approach,” *MATEC Web of Conferences*, Vol. 233, 2018, pp. 1–8. doi:[10.1051/mateconf/201823300014](https://doi.org/10.1051/mateconf/201823300014).
- [48] Sgueglia, A., Schmollgruber, P., Benard, E., Bartoli, N., and Morlier, J., “Exploration and optimization of a Blended Wing-Body featuring distributed electric propulsion,” *Aerospace European Conference 2020*, Bordeaux, France, 2020.
- [49] Jasa, J. P., Hwang, J. T., and Martins, J. R. R. A., “Open-source coupled aerostructural optimization using Python,” *Structural and Multidisciplinary Optimization*, Vol. 57, 2018, pp. 1815–1827. doi:[10.1007/s00158-018-1912-8](https://doi.org/10.1007/s00158-018-1912-8).
- [50] Chung, H., Hwang, J. T., Gray, J. S., and Kim, H. A., “Topology optimization in OpenMDAO,” Springer, 2019, pp. 1385–1400.
- [51] Hwang, J. T., Lee, D. Y., Cutler, J. W., and Martins, J. R. R. A., “Large-scale multidisciplinary optimization of a small satellite’s design and operation,” *Journal of Spacecraft and Rockets*, Vol. 51, No. 5, 2014, pp. 1648–1663. doi:[10.2514/1.A32751](https://doi.org/10.2514/1.A32751).
- [52] Hwang, J. T., Jasa, J. P., and Martins, J. R., “High-fidelity design-allocation optimization of a commercial aircraft maximizing airline profit,” American Institute of Aeronautics and Astronautics, 2019, pp. 1164–1178.

- [53] Gray, J. S., and Martins, J. R. R. A., “Coupled Aeropropulsive Design Optimization of a Boundary-Layer Ingestion Propulsor,” *The Aeronautical Journal*, Vol. 123, No. 1259, 2019, pp. 121–137. doi:10.1017/aer.2018.120.
- [54] Li, Y., Deng, J., Mu, C., Xing, Z., and Du, K., “Vertical distribution of CO₂ in the atmospheric boundary layer: characteristics and impact of meteorological variables,” *Atmospheric Environment*, Vol. 91, 2014. doi:10.1016/j.atmosenv.2014.03-67.
- [55] Wick, A. T., Hooker, J. R., Hardin, C. J., and Zeune, C. H., “Integrated aerodynamic benefits of distributed propulsion,” *AIAA SciTech Forum*, Kissimmee, Florida, USA, 2015. doi:10.2514/6.2015-1500.
- [56] Armstrong, M. J., Ross, C. A. H., and Blackwelder, M. J., “Trade studies for NASA N3-X turboelectric distributed propulsion system electrical power system architecture,” *SAE International Journal of Aerospace*, Vol. 5, No. 2, 2012, pp. 325–335. doi:10.4271/2012-01-2163.
- [57] Dillinger, E., Döll, C., Liaboeuf, R., Toussaint, C., Hermetz, J., Verbeke, C., and Ridel, M., “Handling qualities of ONERA’s small business concept plane with distributed electric propulsion,” *31st Congress of the International Council of the Aeronautical Sciences*, Belo Horizonte, Brasil, 2018.
- [58] Hermetz, J., Ridel, M., and Döll, C., “Distributed electric propulsion for small business aircraft: a concept-plane for key-technologies investigations,” *30th Congress of the International Council of the Aeronautical Sciences*, Daejeon, South Korea, 2016. doi:hal-01408988.
- [59] Visse, W. P. J., and Broomhead, M. J., “GSP: a generic object-oriented gas turbine simulation environment,” NLR, NLR-TP-2000-267, .
- [60] Roskam, J., *Airplane design part I: preliminary sizing of airplanes*, 4th ed., DAR Corporation, 2005.
- [61] Raymer, D. P., *Aircraft design: a conceptual approach*, 6th ed., Virginia: American Institute of Aeronautics & Astronautics, 2018.
- [62] Roskam, J., *Airplane design part II: preliminary configuration design and integration of the propulsive system*, 4th ed., DAR Corporation, 2005.
- [63] Roskam, J., *Airplane design part III: layout design of cockpit, fuselage, wing and empennage: cutaways and inboard profiles*, 4th ed., DAR Corporation, 2005.
- [64] Roskam, J., *Airplane design part VI: preliminary calculation of aerodynamic, thrust and power characteristics*, 4th ed., DAR Corporation, 2005.
- [65] DGA – Direction Général de l’Armement, “Devis de masse des avions,” AIR 2001/D, 1984.

- [66] Phillips, W. F., *Mechanics of flight*, 2nd ed., John Wiley & Sons, Inc., Hoboken, New Jersey, 2010.
- [67] Lambe, A. B., and Martins, J. R. R. A., “Extensions to the design structure matrix for the description of multidisciplinary design analysis and optimization processes,” *Structural and Multidisciplinary Design Optimization*, Vol. 46 (2), 2012, pp. 273–284. doi:[10-1007/s00158-012-0763-y](https://doi.org/10.1007/s00158-012-0763-y).
- [68] Tremblay, O., and Dessaint, L.-A., “Experimental validation of a battery dynamic model for EV applications,” *World Electric Vehicle Journal*, Vol. 3, 2009, pp. 289–298. doi:[10.3390/wevj3020289](https://doi.org/10.3390/wevj3020289).
- [69] Lowry, J., and Larminie, J., *Electric vehicle technology explained*, 2nd ed., John Wiley & Sons, 2012.
- [70] NAEC, *Commercial aircraft propulsion and energy systems research: reducing global carbon emission*, National Academy of Engineering Committee on Propulsion and Energy Systems to Reduce Commercial Aviation Carbon Emissions, National Academies Press, 2016. doi:[10.17226/23490](https://doi.org/10.17226/23490).
- [71] Belleville, M., “Simple hybrid propulsion model for hybrid aircraft design space exploration,” MEA-More Electric Aircraft conference, Toulouse, France, 2015, pp. 1–4. doi:[hal-01120080](https://doi.org/10.2514/6.2015-1008).
- [72] Shaw, J. C., Norman, P., Galloway, S., and Burt, G., “A method for the evaluation of the effectiveness of turboelectric distributed propulsion power system architectures,” *SAE International Journal of Aerospace*, Vol. 7, No. 1, 2014, pp. 35–43. doi:[10.4271/2014-01-2120](https://doi.org/10.4271/2014-01-2120).
- [73] Armstrong, M. J., Ross, C. A. H., and Blackwelder, M. J., “Propulsion system component considerations for NASA N3-X turboelectric distributed propulsion system,” *SAE International Journal of Aerospace*, Vol. 5, No. 2, 2012, pp. 344–353. doi:[20.4271/2012-01-2165](https://doi.org/10.4271/2012-01-2165).
- [74] Anderson, Jr, J., *Introduction to flight*, 7th ed., McGraw-Hill, 2012.
- [75] Anderson Jr, J. D., *Fundamentals of aerodynamics*, 5th ed., McGraw-Hill, 2011.
- [76] Niță, M., and Scholz, D., “Estimating the Oswald factor from basic aircraft geometrical parameters,” *Deutscher Lift- und Raumfahrtkongress 2012, Document ID: 281424*, 2012.
- [77] EASA, *Certification specification for large aeroplanes CS-25, Amd. 3*, European Aviation Safety Agency, 2017, Chaps. 1-B, pp. 10–14.
- [78] EASA, *Commission Regulation (EU) n. 965/2012*, Official Journal of the European Commission, 2012, Chap. 4, p. 98.

- [79] Steiner, H.-J., Vranty, P. C., Gologan, C., Wieczorek, K., Isikveren, A. T., and Hornung, M., “Performance and sizing of transport aircraft employing electrically-powered distributed propulsion,” *Deutscher Luft- und Raumfahrtkongress*, Berlin, Germany, 2012, pp. 1–10.
- [80] Shaw, J. C., Fletcher, S., Norman, P., Galloway, S., and Burt, G., “Failure analysis of a turboelectric distributed propulsion aircraft electrical network: a case study,” *SAE Technical Paper 2015-01-2403*, 2015, pp. 1–7. doi:[10.4271/2015-01-2403](https://doi.org/10.4271/2015-01-2403).
- [81] Belotti, P., Kirches, C., Leyffer, S., Linderoth, J., Luedtke, J., and Mahajan, A., “Mixed-integer nonlinear optimization,” *Acta Numerica*, Vol. 22, 2013, pp. 1–131. doi:[10.1017/S0962492913000032](https://doi.org/10.1017/S0962492913000032).
- [82] ICAO, *The ICAO Aerodrome Reference Code*, ICAO–International Civil Aviation Organisation, 2017.
- [83] de Barros, A. G., and Wirasinghe, S. C., “New aircraft characteristics related to airport planning,” *First ATRG Conference*, Vancouver, Canada, 1997.
- [84] Bradley, M. K., and Droney, C. K., “Subsonic Ultra Green Aircraft Research: phase II-volume II-hybrid electric design exploration,” NASA report NASA/CR-2015-218704/Volume II, 2015.
- [85] Delhaye, J., “Electrical technologies for aviation of the future,” Airbus, 2015.
- [86] Friedrich, C., and Robertson, P., “Hybrid-electric propulsion for aircraft,” *Journal of Aircraft*, Vol. 52, No. 11, 2015, pp. 176–189. doi:[10.2514/1.C032660](https://doi.org/10.2514/1.C032660).
- [87] Gill, P. E., Murray, W., and Saunders, M. A., “SNOPT: an SQP algorithm for large-scale constrained optimization,” *SIAM Review*, Vol. 47, No. 1, 2005, pp. 99–131. doi:[10.1137/S0036144504446096](https://doi.org/10.1137/S0036144504446096).
- [88] Sacks, J., Welch, W. J., Mitchell, T. J., and Wynn, H. P., “Design and analysis of computer experiments,” *Statistical science*, 1989, pp. 409–423. doi:[10.1214/ss/1177012413](https://doi.org/10.1214/ss/1177012413).
- [89] Deb, K., Pratap, A., Agarwal, S., and Meyarivan, T., “A fast and elitist multiobjective genetic algorithm: NSGA-II,” *Evolutionary Computation, IEEE Transactions on*, Vol. 6, No. 2, 2002, pp. 182–197.
- [90] Giagkiozis, I., and Fleming, P. J., “Methods for multi-objective optimization: an analysis,” *Information Sciences*, Vol. 293, 2015, pp. 338–350. doi:[10.1016/j.ins.2014.08.071](https://doi.org/10.1016/j.ins.2014.08.071).